



# E-TYPE



## Pack 09

### BUILD INSTRUCTIONS

**STAGE 65: GLOVE COMPARTMENT  
& GRAB HANDLE**

**STAGE 66: REAR FLOOR**

**STAGE 67: SPARE WHEEL  
& REAR FLOOR COVERS**

**STAGE 68: FUEL TANK TOP AND BASE**

**STAGE 69: LEFT REAR WHEEL ARCH**

**STAGE 70: RIGHT REAR WHEEL ARCH**

**STAGE 71: HEADLIGHTS**

**STAGE 72: RIGHT FRONT WING & LIGHTS**

**STAGE 73: LEFT FRONT WING & LIGHTS**

## Advice from the experts

---

Spare screws are included with each part. Occasionally, you may be instructed to keep spare or unused screws for a later stage. Keep these spares in a safe place and label them correctly.

Please make sure you don't mix up the screws. They look quite similar, but the threads do vary slightly. Using the wrong screws may damage the parts.

When securing parts together using multiple screws, fit each screw loosely to ensure all the parts are correctly aligned before gently tightening them firmly, but not overtight, in the order in which you placed them.

The screwdriver can be magnetized by stroking it with a magnet (fridge magnet, etc.) enabling it to hold the screws and make assembly easier.

If a screw is tight going into a metal part, do not force it as you may shear the head off. Remove it and put a tiny smear of Vaseline, soap or light oil on the thread. That will lubricate it and make it easier to drive home.

During the course of this build, you will receive many pieces that you will assemble immediately – following the instructions in the corresponding stage – and other pieces that you should store safely to one side, for use in future assembly stages.

Left and Right! When building your Jaguar, the left or right hand side refers to each side as you are sitting in the car.



**WARNING:** Some parts are assembled using magnets. These magnets can cause serious injury if they are swallowed. Keep away from children. If you suspect a magnet has been swallowed, seek medical help straight away.

## Stage 65: Glove Compartment & Grab Handle

In the first stage of this Pack you'll continue work on the dashboard by fitting on the dashboard top as well as installing the glove compartment and grab handle.



### STAGE 65 PARTS LIST

Name
Dashboard top
Grab handle
Glove compartment
Screws type AG06 x5



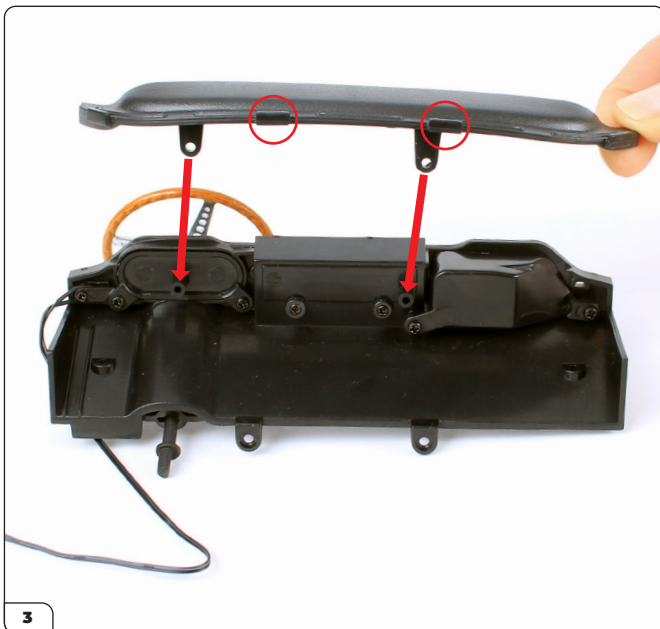
## Stage 65: Glove Compartment & Grab Handle



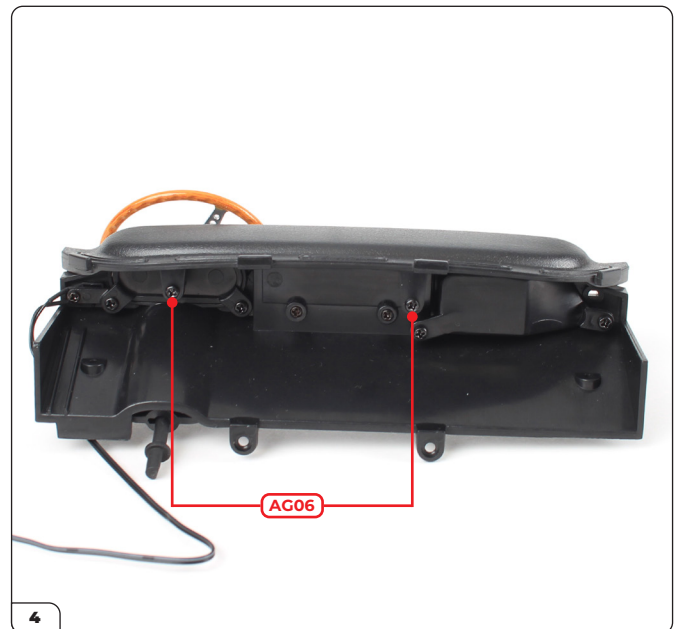
Take the dashboard assembly from Stage 64. Align the glove compartment with the dashboard as shown and fit into place using the screw holes as a guide (arrows).



Secure the glove compartment in place using 2x AG06 screws.

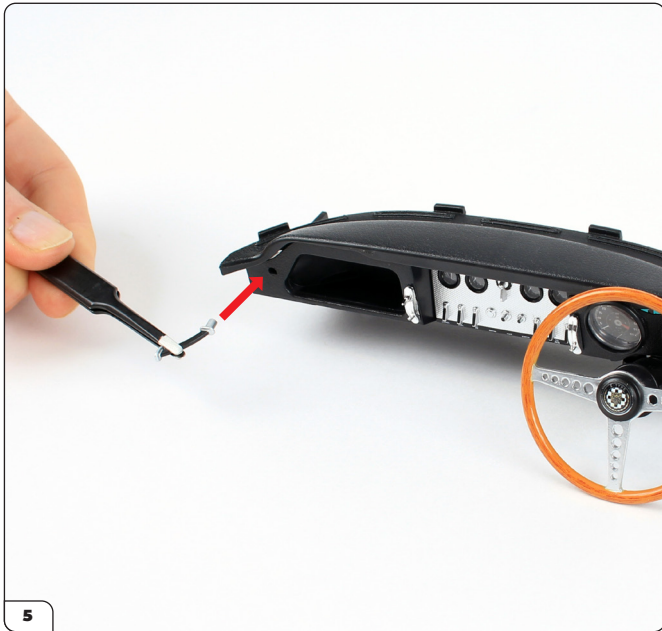


Next take the dashboard top and align with the dashboard, so that the notches (circled) are facing as shown. Fit the dashboard top in place.



Fix in place using 2x AG06 screws.

## Stage 65: Glove Compartment & Grab Handle



Now move to the front of the dashboard, and align the grab handle as shown. The plugged end of the handle fits into the hole on the left-hand side of the dashboard (arrow).



Carefully push the grab handle into place.

**STAGE COMPLETE**



## Stage 66: Rear Floor

In this stage you'll extend the base of the floor by attaching the rear floor to the cockpit assembly.

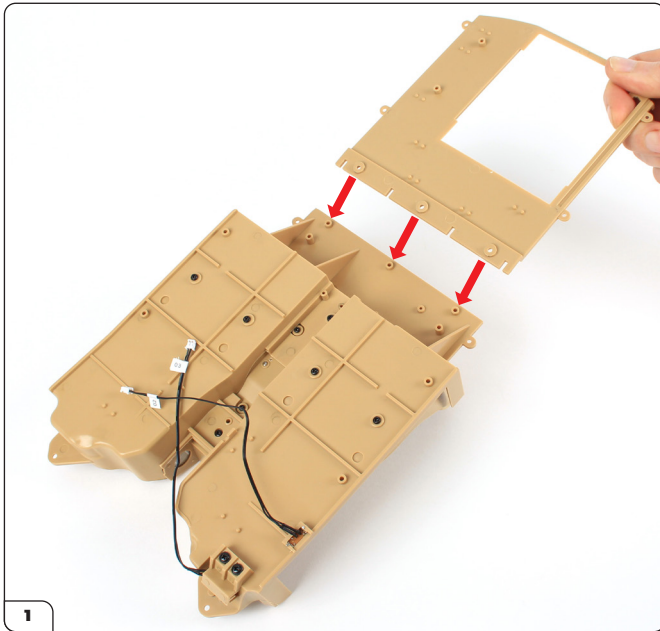


### STAGE 66 PARTS LIST

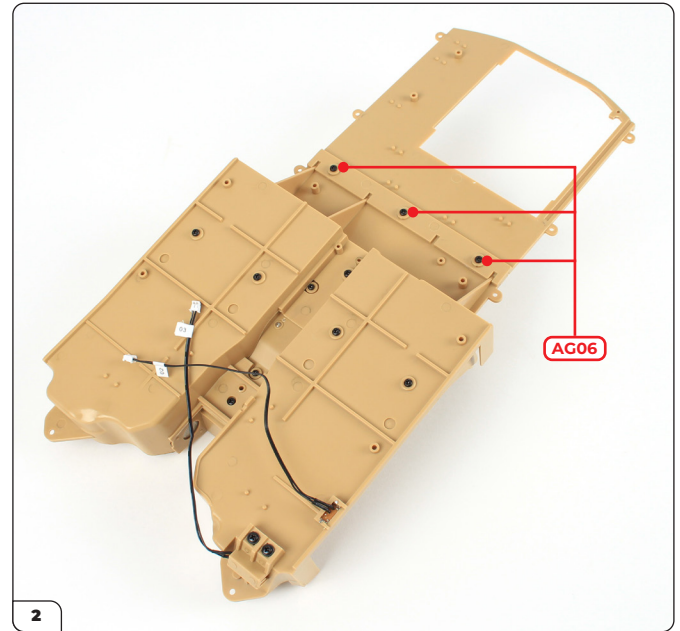
Name
Rear floor
Screws type AG06 x4



## Stage 66: Rear Floor



Take the cockpit floor assembly from Stage 62 and lay it upside down, then align the rear floor with the cockpit as shown. Fit the rear floor by pressing the three screw hole recesses onto the corresponding screw holes on the cockpit (arrows).



Attach the rear floor to the cockpit using 3x AG06 screws.

### STAGE COMPLETE



## Stage 67: Spare Wheel & Rear Floor Covers

Continue working on the floor as you fit the covers for the spare wheel compartment and the rear floor from the previous stage.

Note: both covers in this stage are loose fits, so they can be stored away safely for now if preferred.



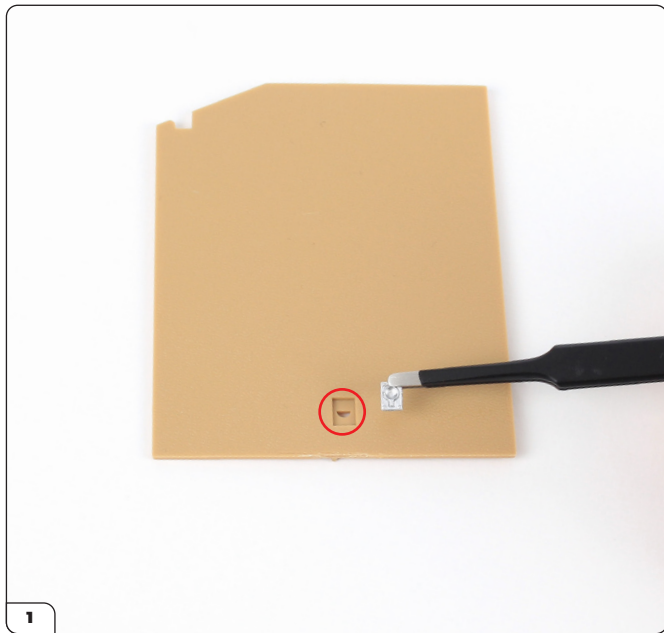
### STAGE 67 PARTS LIST

Name
Spare wheel cover
Rear floor cover
Pull handle





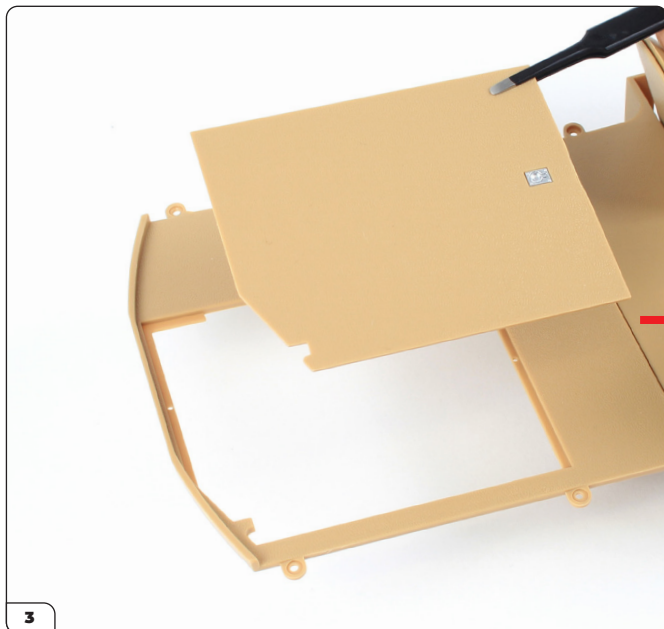
## Stage 67: Spare Wheel & Rear Floor Covers



Take the spare wheel cover and pull handle, noting the D-shaped hole (circled) on the cover.



Press the D-shaped plug on the pull handle into the spare wheel cover.



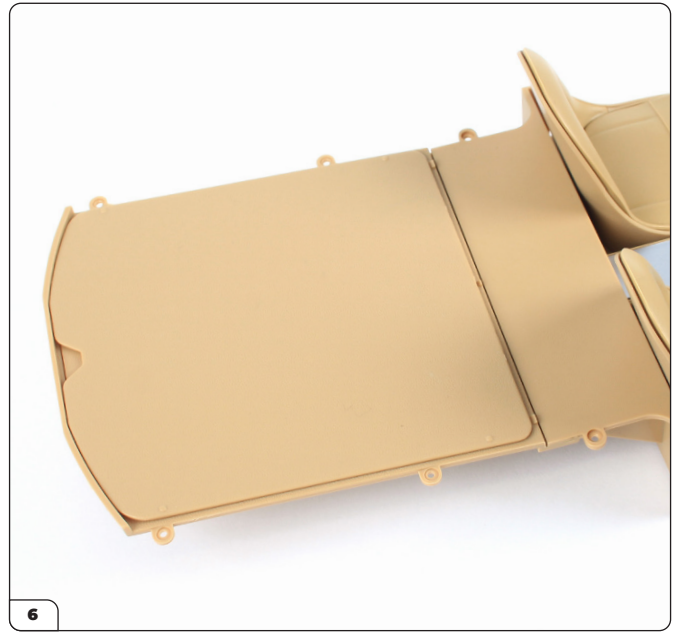
The spare wheel cover can now be placed into the corresponding recess of the rear floor.



## Stage 67: Spare Wheel & Rear Floor Covers



With the spare wheel cover in place, the rear floor cover fits over the top. Both covers are not secured in place, so can be stored away in a safe place for a later stage if preferred.



This image shows the placement of the rear floor cover over the top of the spare wheel cover.

**STAGE COMPLETE**



## Stage 68: Fuel Tank Top and Base

In this stage you'll start assembling the fuel tank, which will fit next to the spare wheel compartment under the rear floor.



### STAGE 68 PARTS LIST

Name
Fuel tank base
Fuel tank top
Filler pipe
Fuel tank sender
Fuel pump
Screws type AG04 x2
Screws type AG06 x2



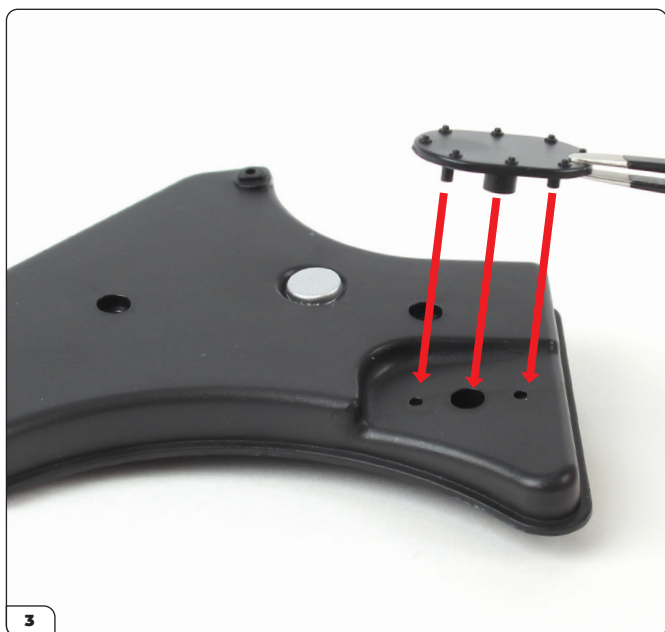
## Stage 68: Fuel Tank Top and Base



Align the pin on the fuel tank sender with the hole in the middle of the fuel tank top.



Firmly press the fuel tank sender into place.



Next take the fuel pump and align it with the corresponding holes in the fuel tank top.



Fit the fuel pump into the fuel tank top.

## Stage 68: Fuel Tank Top and Base



5 Turn the fuel tank top over and secure the pump in place with an AG06 screw.



6 Turn the fuel tank top back over and take the filler pipe. One end of the pipe has a recessed screw hole which fits over the D-shaped notch on the tank top (arrow).



7 Push the filler pipe in place.



8 Secure the filler pipe in place by passing an AG04 screw through the centre of the pipe and driving it into the fuel tank top.

# Stage 68: Fuel Tank Top and Base



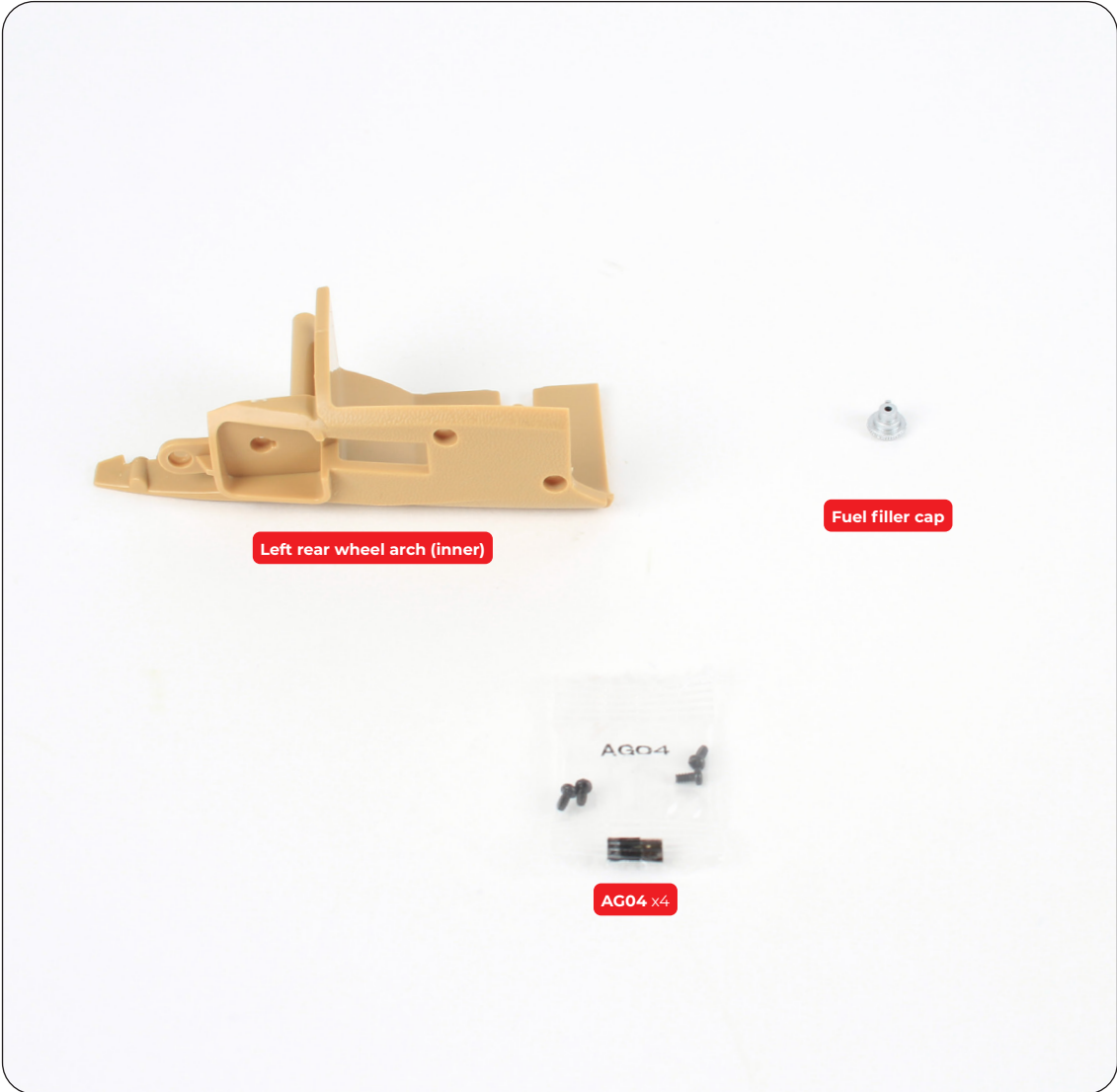
# Stage 69: Left Rear Wheel Arch

Returning to the floor assembly, the next stage is to fit the left rear wheel arch and the fuel filler cap.

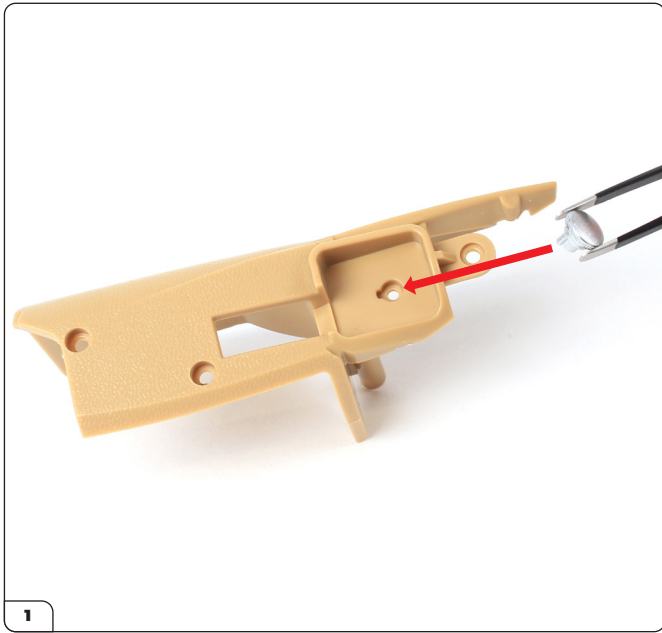


## STAGE 69 PARTS LIST

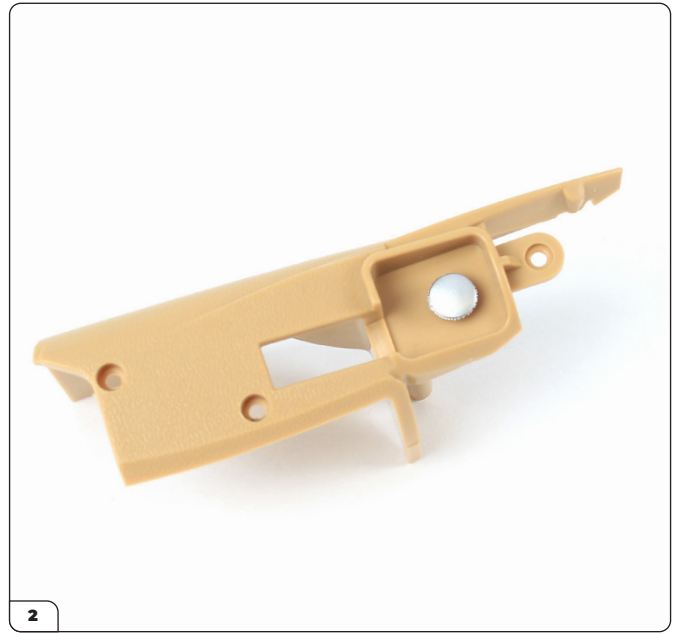
Name
Left rear wheel arch (inner)
Fuel filler cap
Screws type AG04 x4



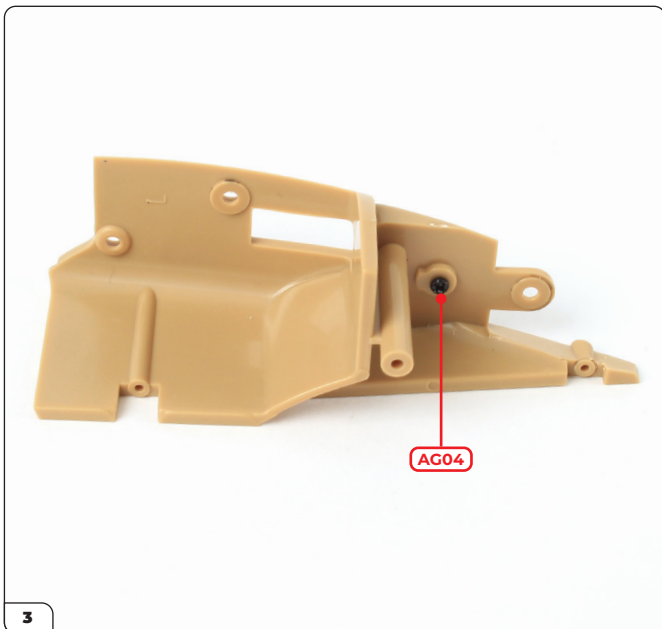
## Stage 69: Left Rear Wheel Arch



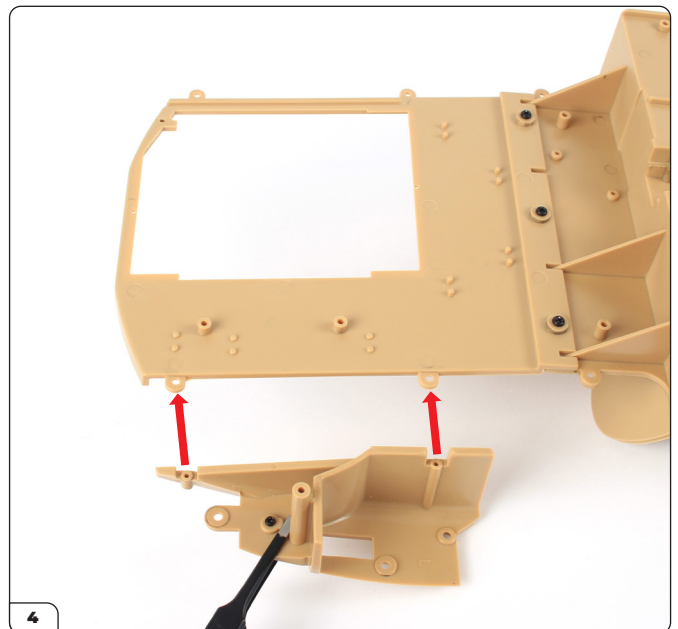
Take the fuel filler cap and align the key-shaped plug with the corresponding hole on the left rear wheel arch (arrow).



Push the filler cap into place as shown.



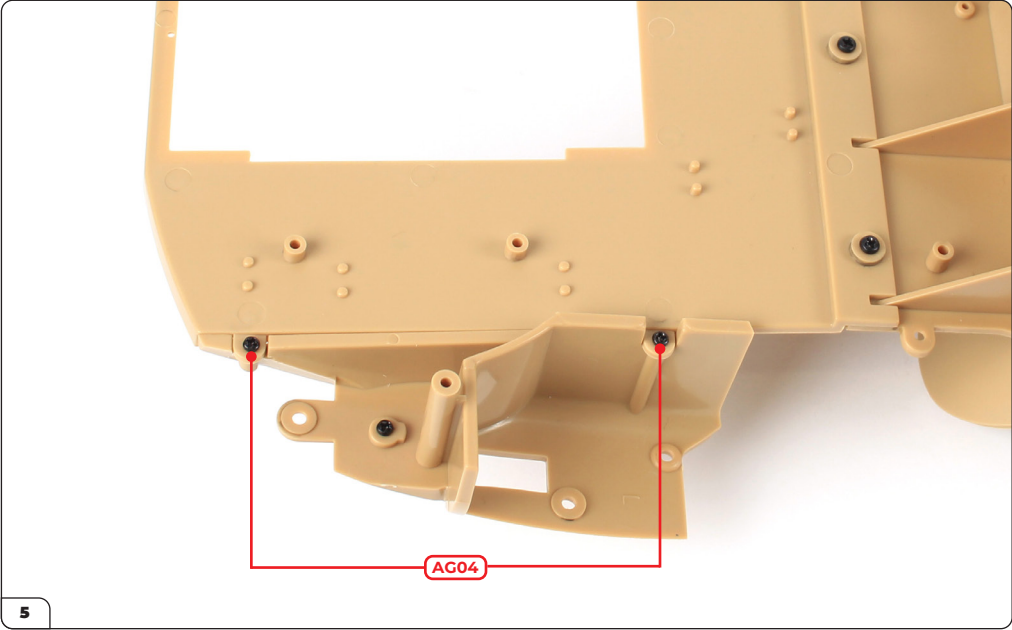
On the underside of the wheel arch, locate the screw hole and secure the filler cap in place with an AG04 screw.



Now take the cockpit assembly from Stage 67. Align the left rear wheel arch with the rear floor as shown. Fit it into place so that the screw holes are lined up (arrows).



# Stage 69: Left Rear Wheel Arch



Fix the rear wheel arch in place using 2x AG04 screws.



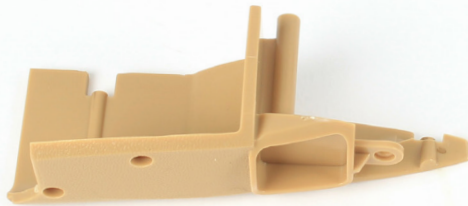
## Stage 70: Right Rear Wheel Arch

In this stage you'll attach the right-hand side rear wheel arch to the floor assembly.



### STAGE 70 PARTS LIST

Name
Right rear wheel arch (inner)
Screws type AG04 x4

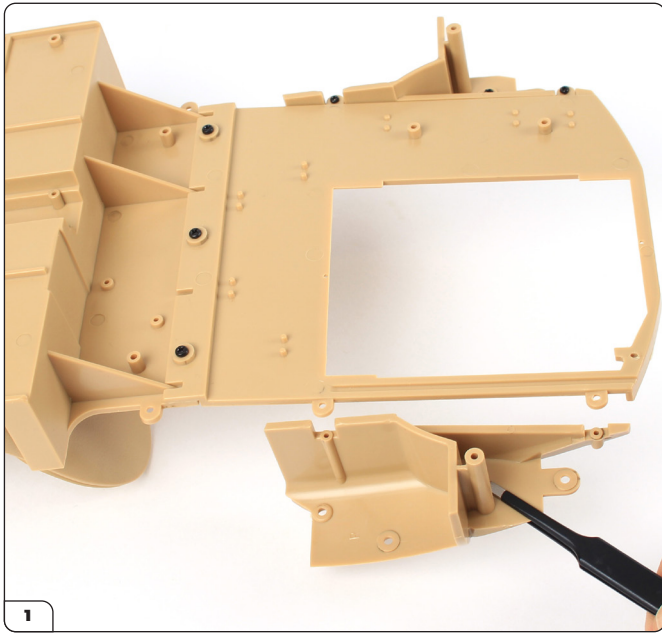


Right rear wheel arch (inner)

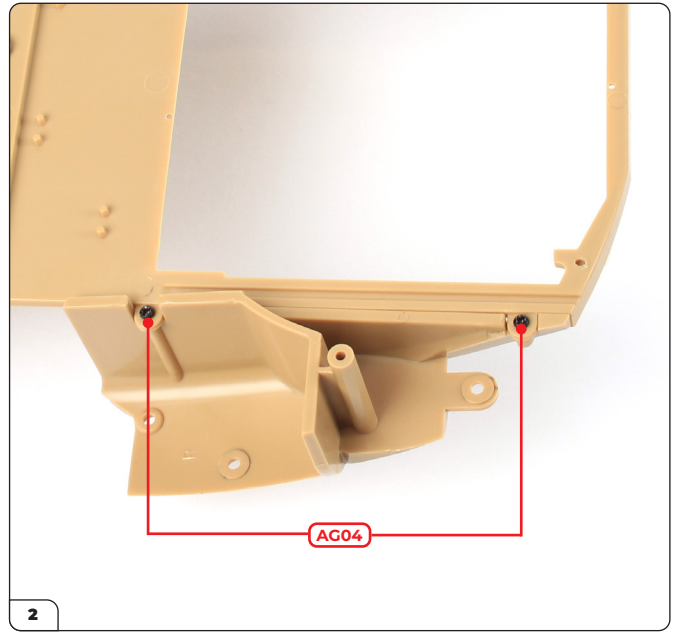


AG04 x4

## Stage 70: Right Rear Wheel Arch



As in the previous stage, take the cockpit assembly and align the right rear wheel arch with the rear floor.



Fit the rear wheel arch into place so that the screw holes are lined up, then secure with 2x AG04 screws.

STAGE COMPLETE



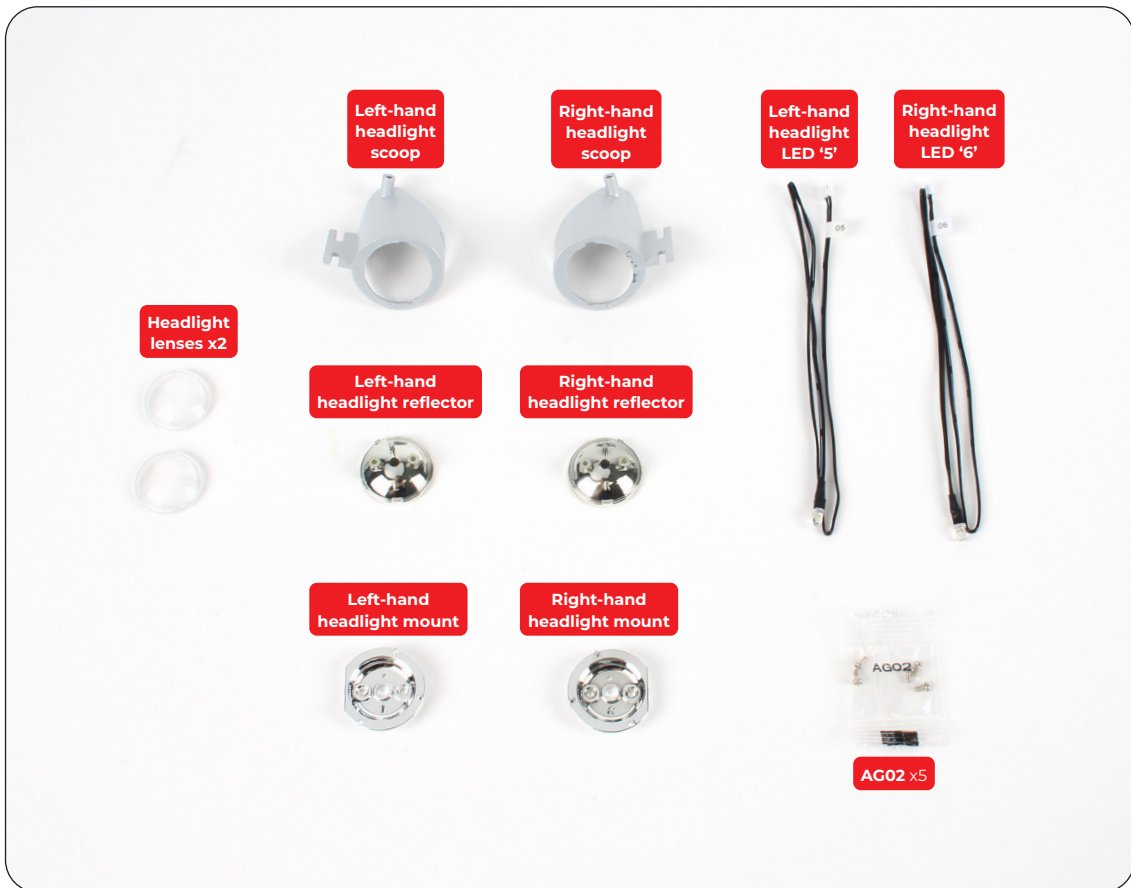
# Stage 71: Headlights

Next the headlights are assembled in preparation for fitting them in the final two stages of this Pack.



## STAGE 71 PARTS LIST

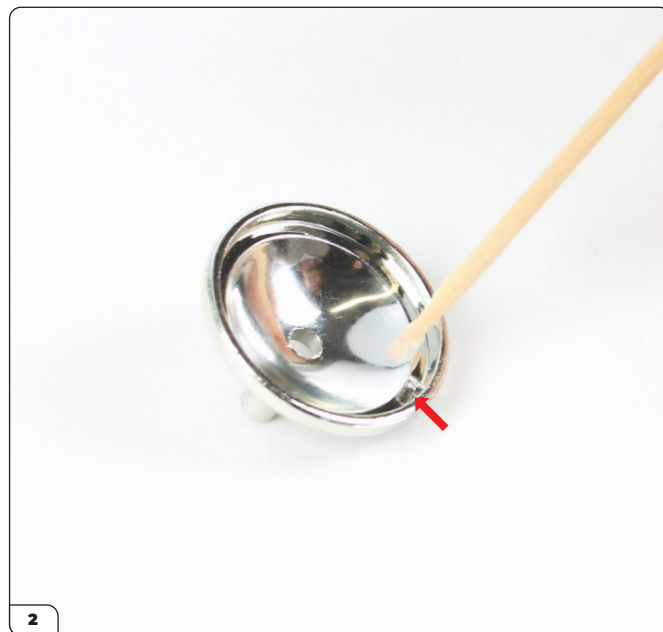
Name
Left-hand headlight scoop
Right-hand headlight scoop
Left-hand headlight LED (marked '5')
Right-hand headlight LED (marked '6')
Headlight lenses x2
Left-hand headlight reflector
Right-hand headlight reflector
Left-hand headlight mount
Right-hand headlight mount
Screws type AG02 x5



## Stage 71: Headlights



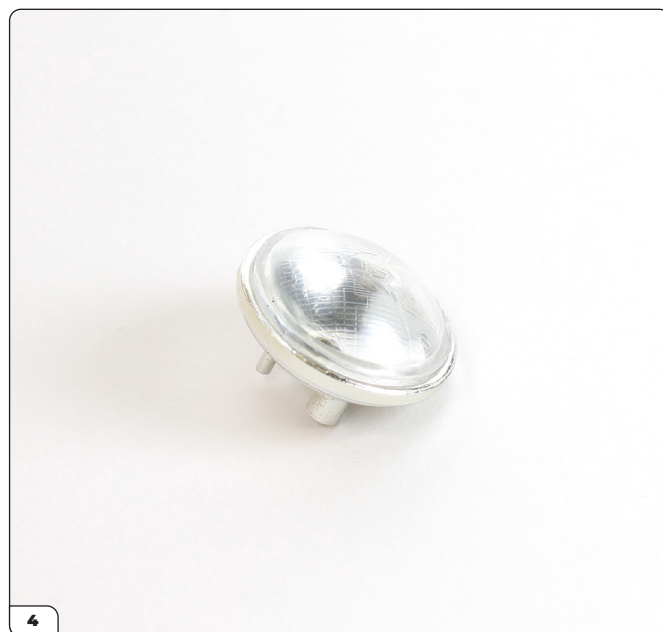
Take the two headlight reflectors. To distinguish the left one from the right one, note the 'L' and 'R' (circled) on the back of the parts.



Carefully apply a small amount of PVA glue into the recess (arrow) located on the lip of the reflector.

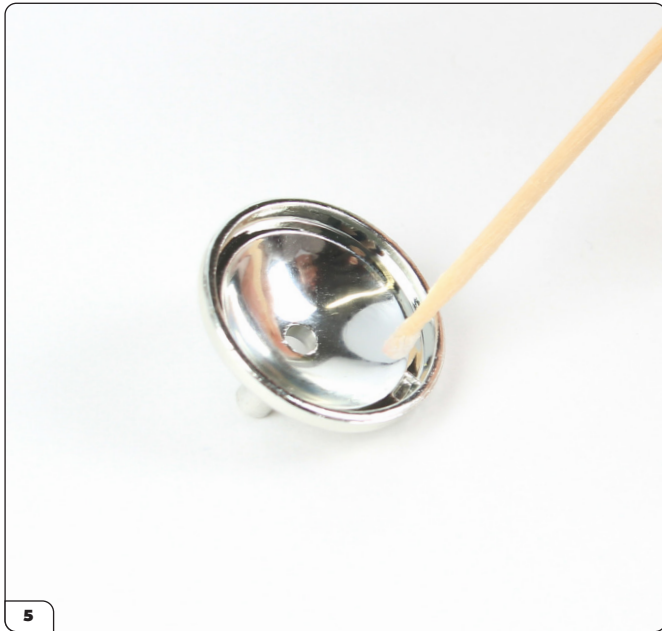


Before the glue dries, take one of the headlight lenses and fit it into the reflector, pressing the tab on the lens into the recess on the lip of the reflector (arrow).



The headlight should look like this.

## Stage 71: Headlights



Now take the other reflector and apply some PVA glue to the recess as you did before.



Take the remaining headlight lens and press it into place.



The two lenses have been fitted into the reflectors.



Next take the headlight scoops and the headlight mounts. Identify the left-hand set and the right-hand set by locating the 'L' and 'R' on the parts (circled).

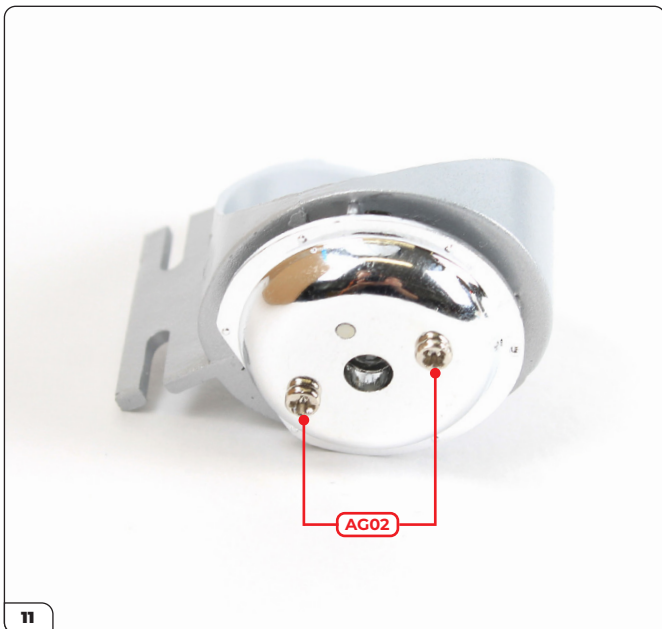
## Stage 71: Headlights



Starting with the right-hand parts, press the headlight assembled in the previous steps into the headlight scoop so that the two tabs on the headlight fit into the two notches on the scoop. The inset shows the headlight fitted in place.



Take the right headlight mount and align it with the right headlight scoop assembly as shown. Note the pin on the headlight and small hole on the mount (circled).



Press the mount onto the back of the scoop so that the pin fits into the hole and the two screw holes line up. Secure the mount in place with 2x AG02 screws.

There is a gap between the mount and scoop (see picture 12). Don't overtighten the screws when fixing the mount in place.



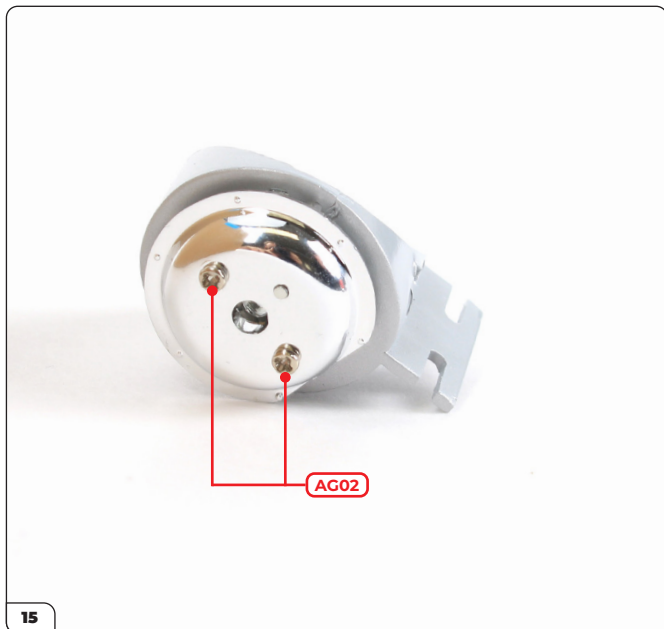
## Stage 71: Headlights



Now repeat steps 9 - 11 to assemble the left-hand headlight parts. Fit the left headlight into the left scoop, lining up the tabs and notches as before.



Align the mount with the rear of the headlight scoop. Fit into place so that the pin fits into the hole and the screw holes line up.



Secure the parts together using 2x AG02 screws.



The two headlight assemblies should look like this once complete.



# Stage 71: Headlights



## Stage 72: Right Front Wing & Lights

The last two stages for this Pack add the front wings to the bonnet, along with fitting the front lights and indicators.

Remember to handle any bodywork carefully so the paint does not get scratched! We recommend placing a cover on your work surface to avoid any damage.

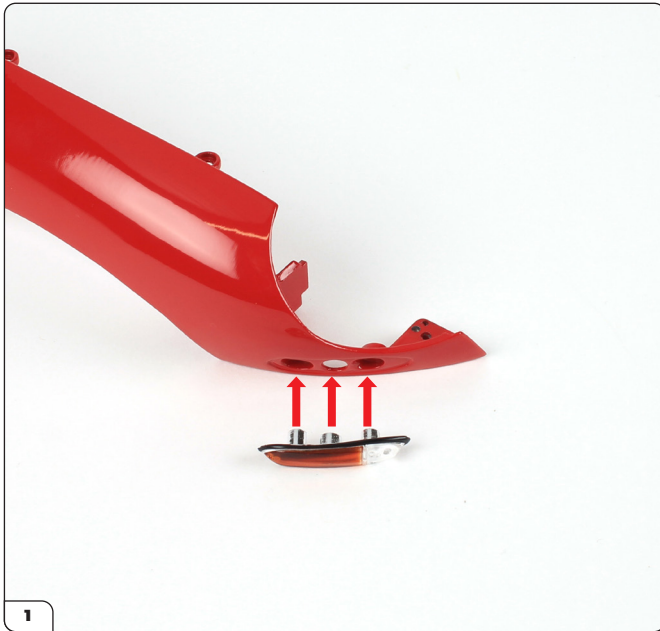


### STAGE 72 PARTS LIST

Name
Right-hand indicator LED (marked '7')
Right front wing
Sidelight/indicator cluster
Screws type AG04 x3
Screws type AG11 x2
Screws type AM19 x6



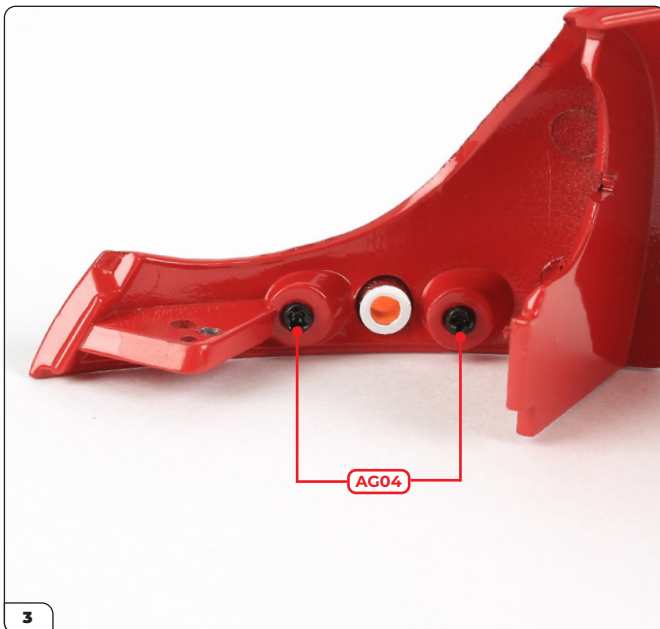
## Stage 72: Right Front Wing & Lights



1 First align the sidelight/indicator cluster with the right front wing so that the three raised pins are facing the three corresponding holes from the outside surface of the car.



2 Press the light cluster into place so that the raised pins fit into the three holes and the light sits flush.

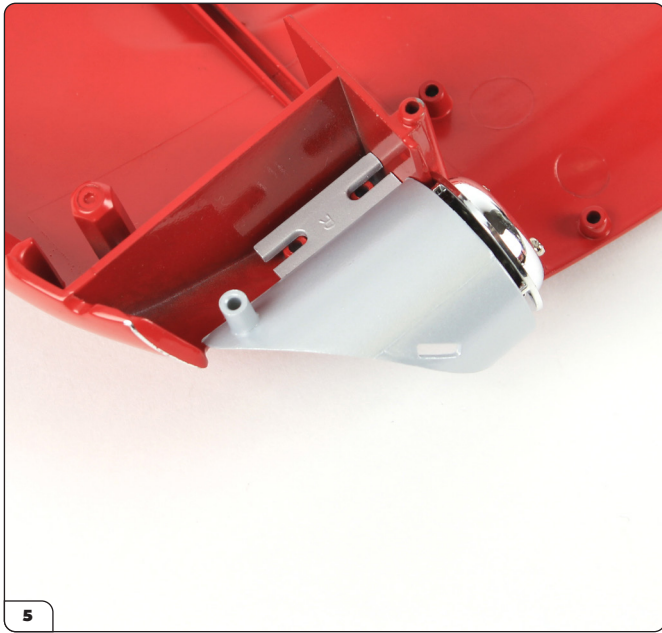


3 Carefully turn the front wing around and secure the light cluster in place using 2x AG04 screws.



4 Now take the bonnet from Stage 23 and carefully lay it upside down on your worksurface. Align the right-hand headlight assembly from the previous stage with the bonnet as shown.

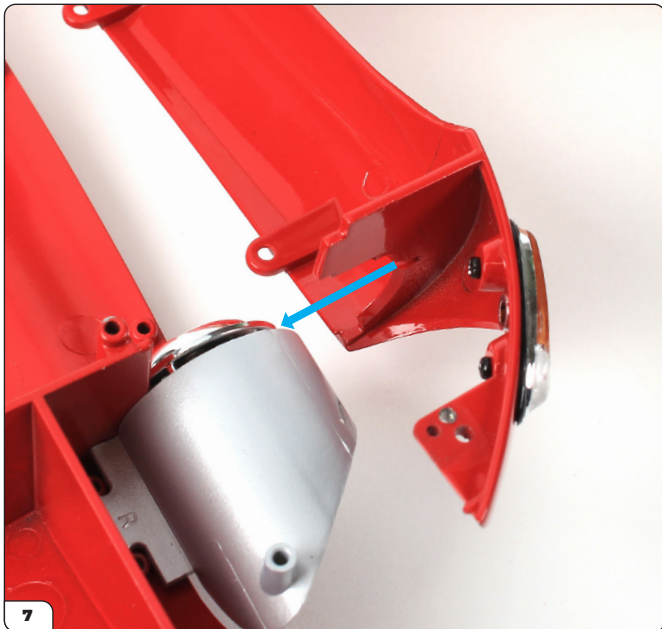
## Stage 72: Right Front Wing & Lights



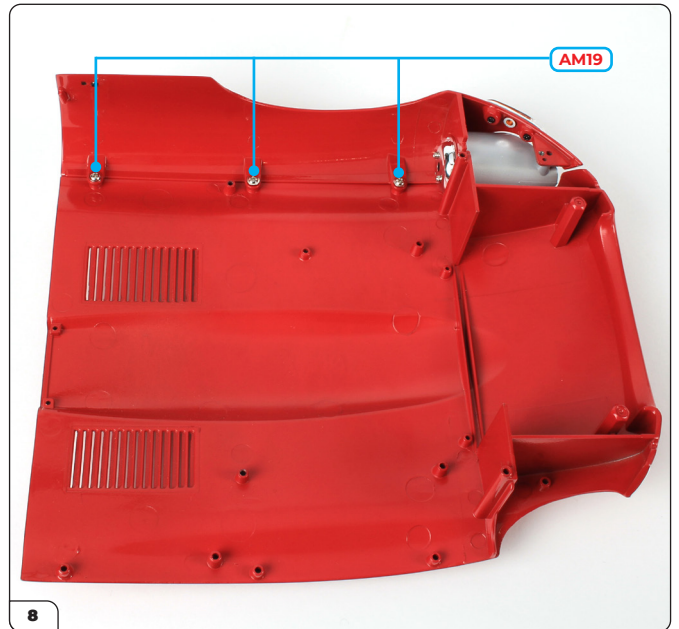
Place the headlight assembly in position so that the screw holes from the bonnet are aligned with the notches as shown.



Take the right front wing and align the three tabs with the corresponding raised screw holes on the bonnet (arrows).

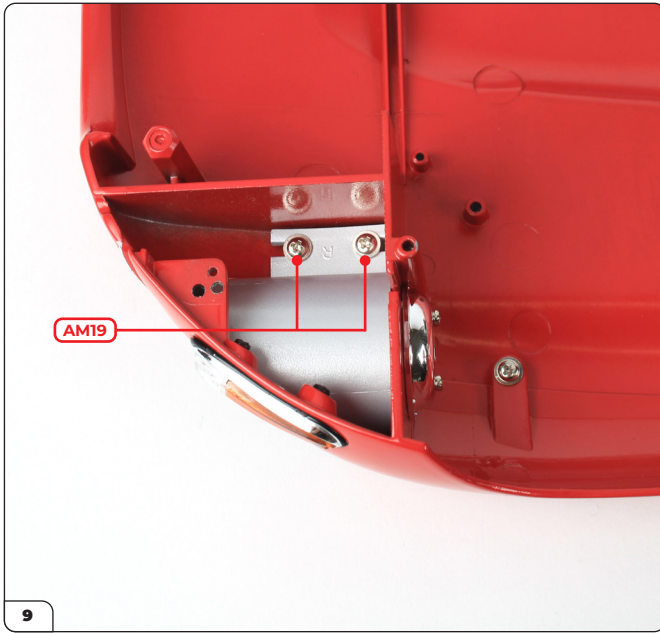


Take care to align the C-shaped notch on the front wing with the gap on the headlight assembly as you fit the parts together (arrow).

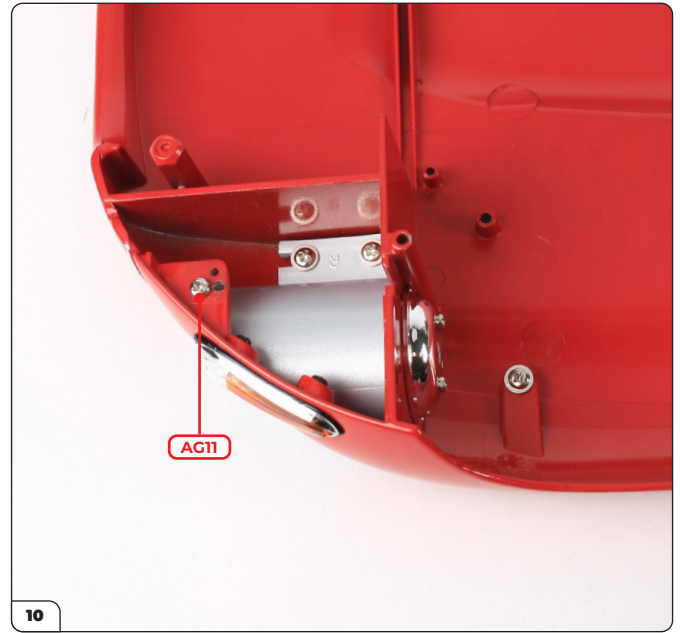


Press the right front wing and bonnet together, then secure the parts using 3x AM19 screws.

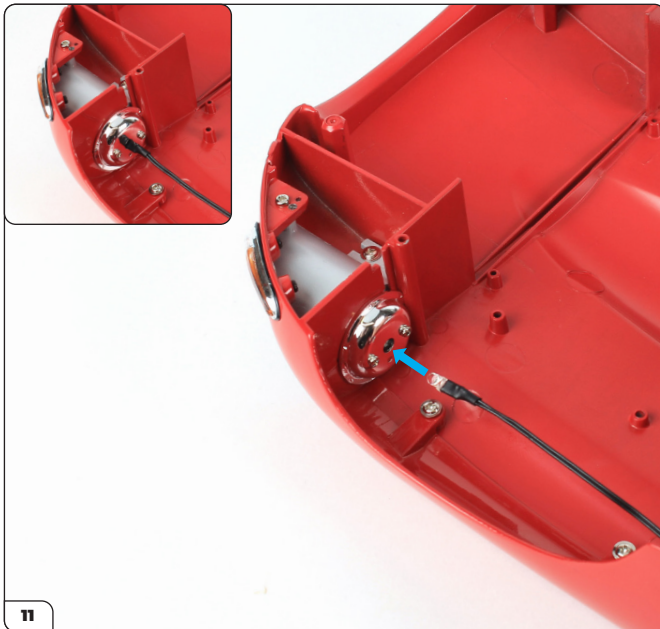
## Stage 72: Right Front Wing & Lights



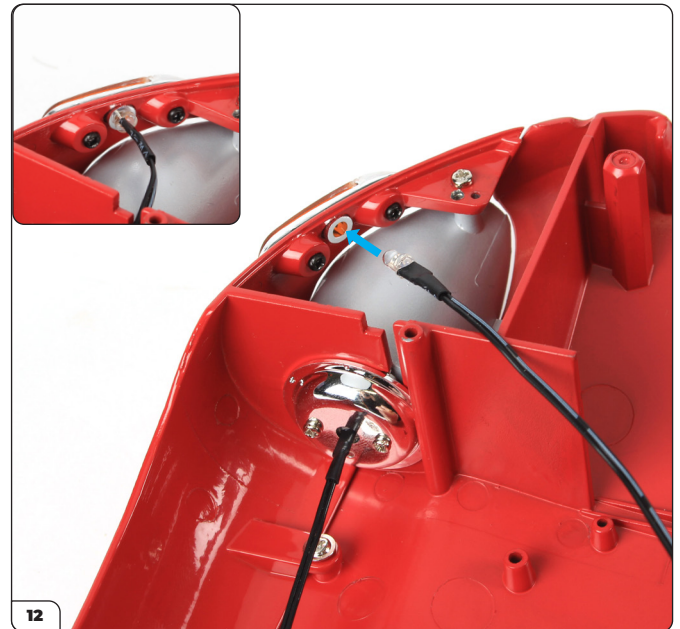
With the front wing fixed in place, drive 2x AM19 screws into the headlight assembly to secure it.



Use an AG11 screw to fix the tip of the front wing and the headlight scoop together.



Now take the right-hand headlight LED (marked '6') supplied in stage 71 and align it with the hole at the rear of the headlight (arrow). Push the bulb of the LED into the hole until it is firmly in place (inset).



Finally take the right-hand indicator LED (marked '7') supplied in this stage and align it with the hole at the rear of the silight/indicator cluster (arrow). Push the bulb of the LED into the hole until it is firmly in place (inset).

# Stage 72: Right Front Wing & Lights



## Stage 73: Left Front Wing & Lights

In the final stage of this Pack you'll attach the left front wing to the bonnet in the same manner as the right front wing was attached.



### STAGE 73 PARTS LIST

Name
Left-hand indicator LED (marked '7')
Left front wing
Sidelight/indicator cluster
Screws type AG04 x3
Screws type AG11 x2
Screws type AM19 x6



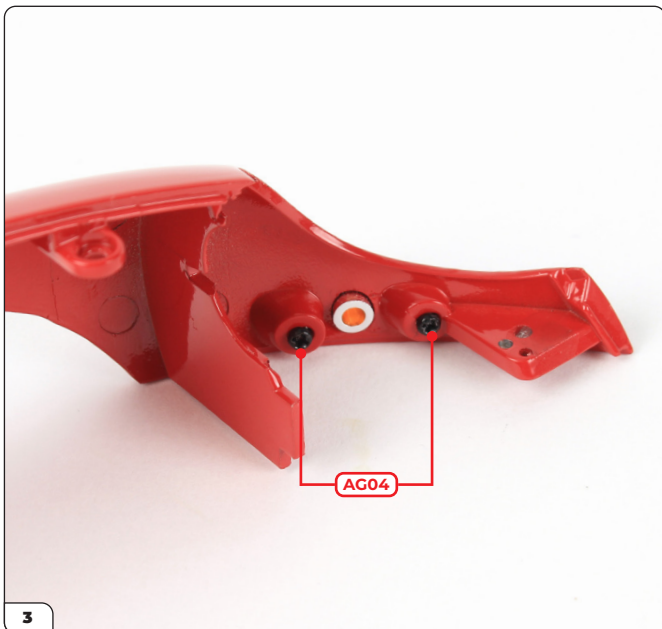
## Stage 73: Left Front Wing & Lights



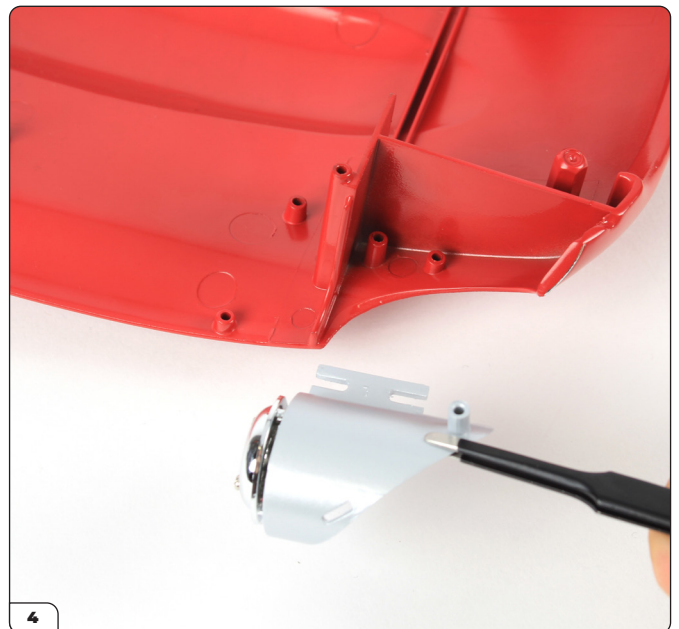
First align the sidelight/indicator cluster with the left front wing, so that three raised pins are facing the three corresponding holes from the outside surface of the car as shown.



Press the light cluster into place so that the raised pins fit into the three holes and the light sits flush.



Carefully turn the front wing around and secure the light cluster in place from the underside using 2x AG04 screws.



Take the bonnet from Stage 72 and carefully lay it upside down on your worksurface. Align the left-hand headlight assembly from Stage 71 with the bonnet as shown.



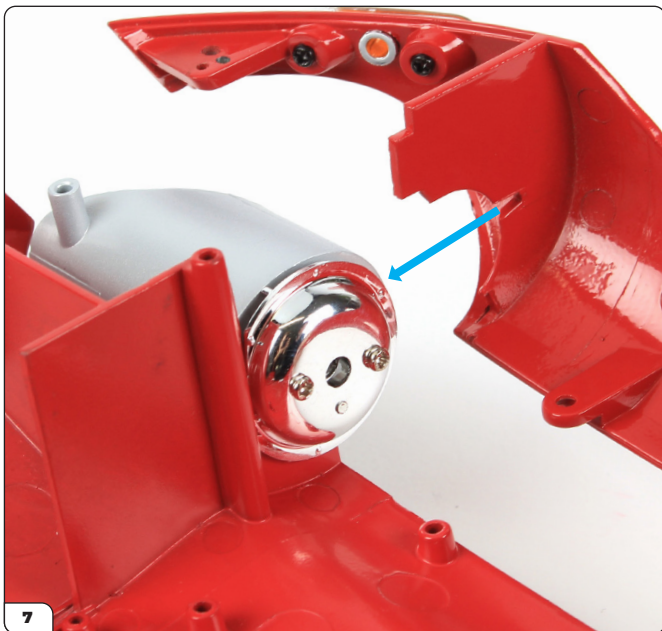
## Stage 73: Left Front Wing & Lights



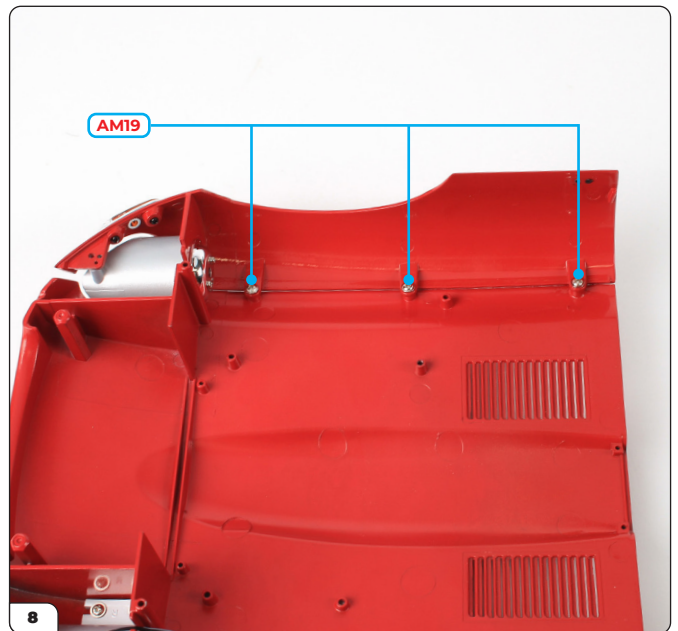
Place the headlight assembly in position so that the screw holes from the bonnet are aligned with the notches as shown.



Take the left front wing and align the three tabs with the corresponding raised screw holes on the bonnet (arrows).

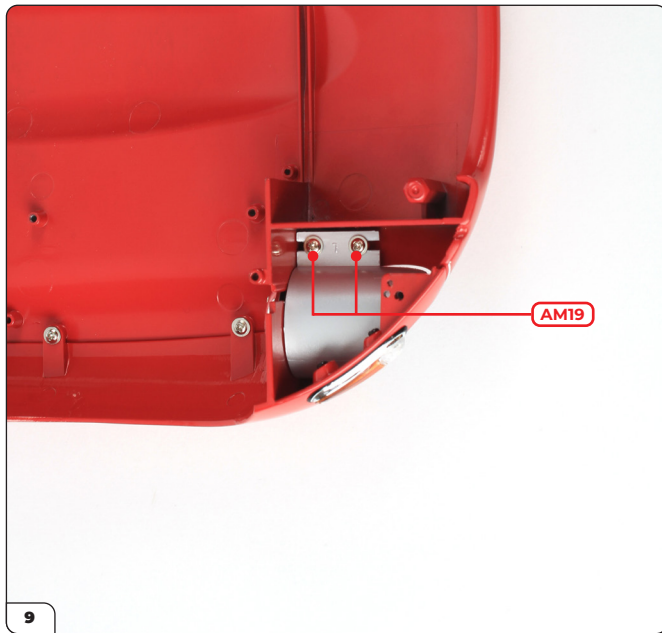


Take care to align the C-shaped notch on the front wing with the gap on the headlight assembly as you fit the parts together.

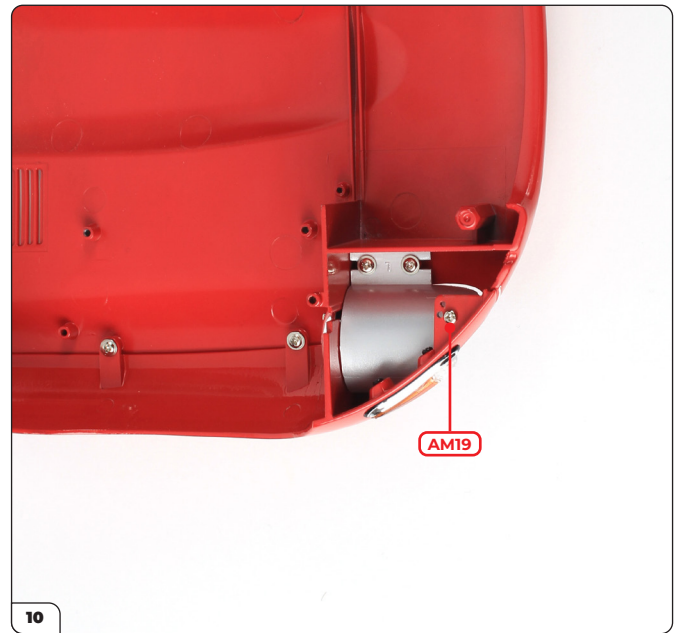


Press the left front wing and bonnet together, then secure the parts using 3x AM19 screws.

## Stage 73: Left Front Wing & Lights



With the front wing fixed in place, drive 2x AM19 screws into the headlight assembly to secure it.



Use an AG11 screw to fix the tip of the front wing and the headlight scoop together.



Now take the left-hand headlight LED (marked '5') supplied in stage 71 and align it with the hole at the rear of the headlight (arrow). Push the bulb of the LED into the hole until it is firmly in place (inset).



Finally take the left-hand indicator LED (marked '7') supplied in this stage and align it with the hole at the rear of the silight/indicator cluster (arrow). Push the bulb of the LED into the hole until it is firmly in place (inset).

## Stage 73: Left Front Wing & Lights

---

STAGE COMPLETE

