

Pack 8

# LaFerrari

**1:8 SCALE**

THE ULTIMATE HYPERCAR  
ULTIMATE PERFORMANCE  
ULTIMATE STYLE

**AGORA**  
MODELS®



# STAGE 57 THE WINDSHIELD

WHEN TAKING CONTROL OF A  
HIGH-PERFORMANCE VEHICLE,  
HAVING GOOD VISIBILITY ON THE  
ROAD IS ESSENTIAL TO SAFELY  
HARNESS THE POWER  
OF THE ENGINE

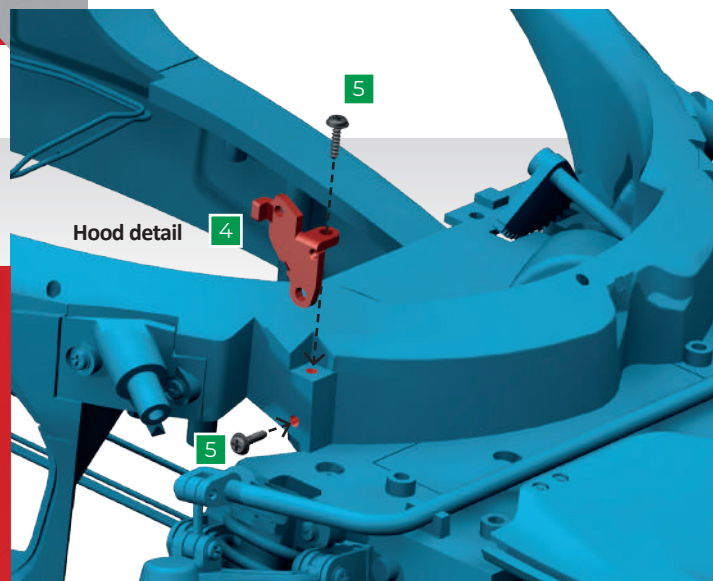
## PARTS LIST

NO.	PART	QUANTITY	MATERIAL
1	Connection panel	1	Metal
2	Windshield	1	ABS
3	Sun visor	2	ABS
4	Hood detail	2	ABS
5	Screw type H	4	Metal
6	Screw type I	2	Metal



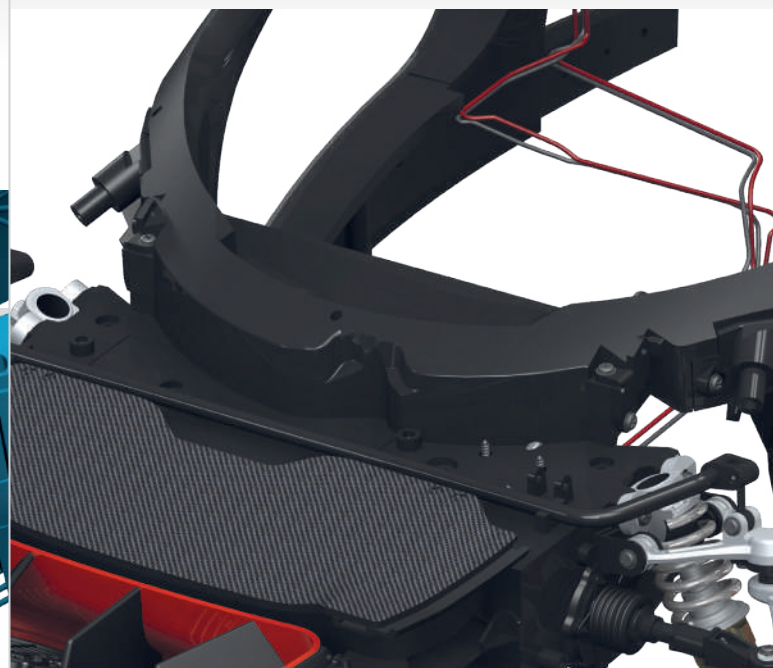
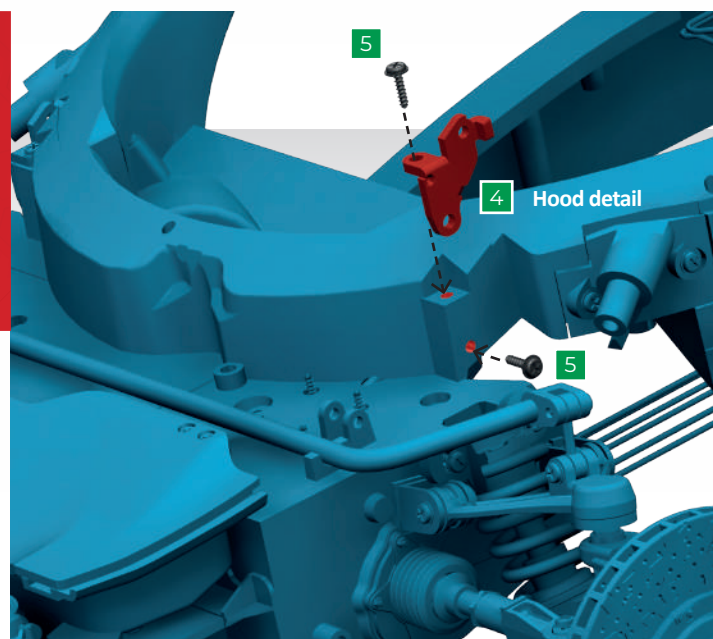
## STEP 1

Install the hood detail (4) on the right side of the chassis. Check the image carefully to identify the correct detail piece. Secure with two type H screws (5).



## STEP 2

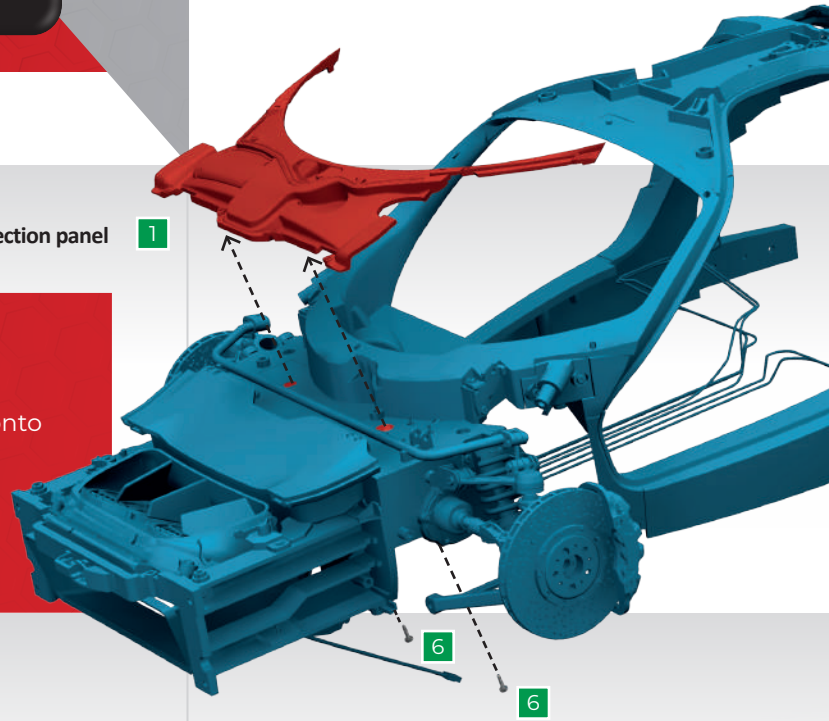
Install the hood detail (4) on the left side of the chassis in the same way and secure with two type H screws (5). Make sure the screws for the hood details are fully tightened to ensure the bonnet aligns correctly once fitted.



## STEP 3

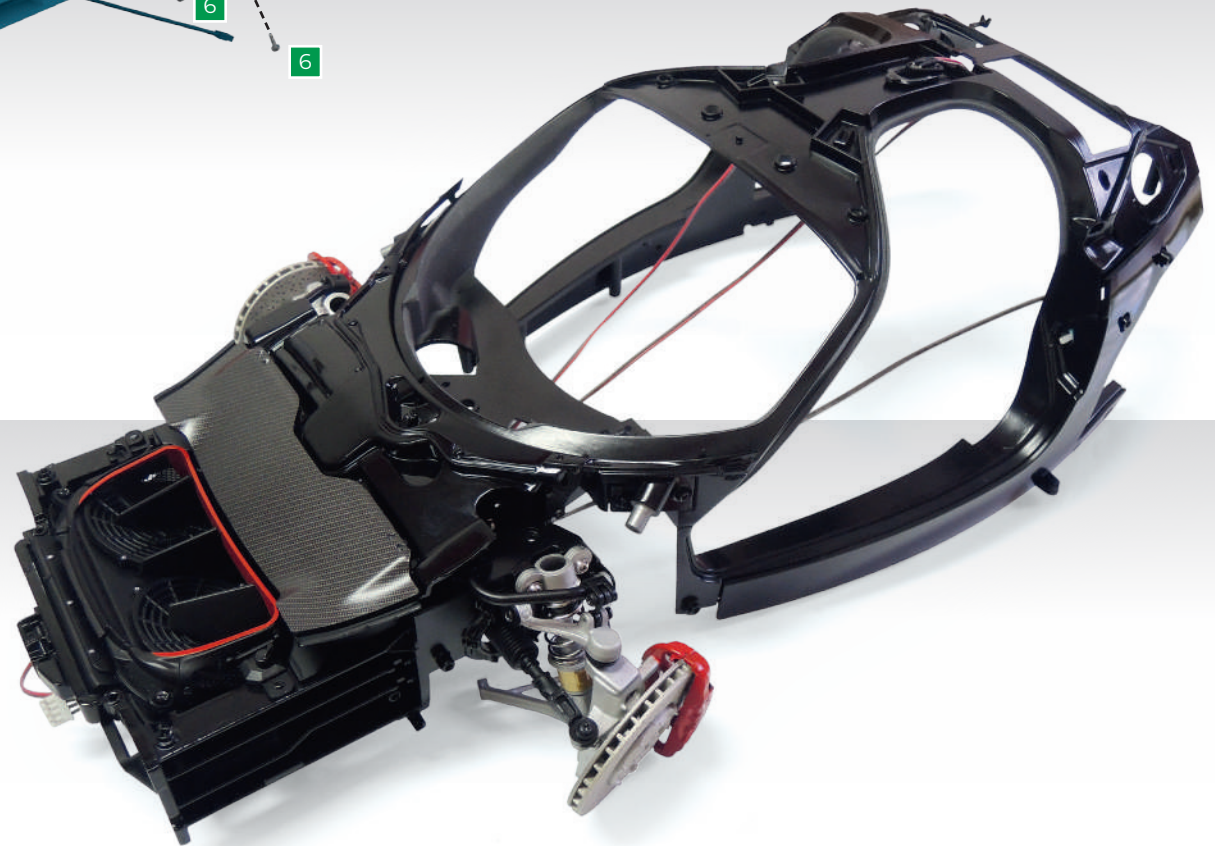
Fit the connection panel (1) onto the chassis then secure from underneath using two type I screws (6).

Connection panel 1



## STAGE COMPLETE

The hood details and connection panel have been installed onto the chassis. Store any unused parts away until they are needed.



# STAGE 58 FUEL TANK CAP AND RECHARGING SOCKET

THE LAFERRARI BOASTS A HYBRID PROPULSION SYSTEM. THIS MEANS THERE IS A RECHARGING SOCKET AS WELL AS THE STANDARD FUEL-FILLING INLET

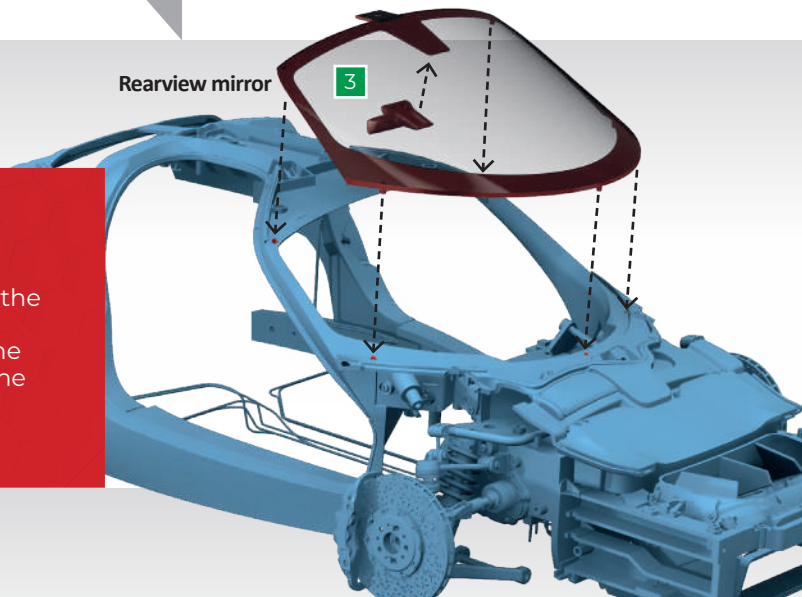
## PARTS LIST

NO.	PART	QUANTITY	MATERIAL
1	Fuel tank cap	1	ABS
2	Recharging socket	1	Varied
3	Rearview mirror	1	Varied



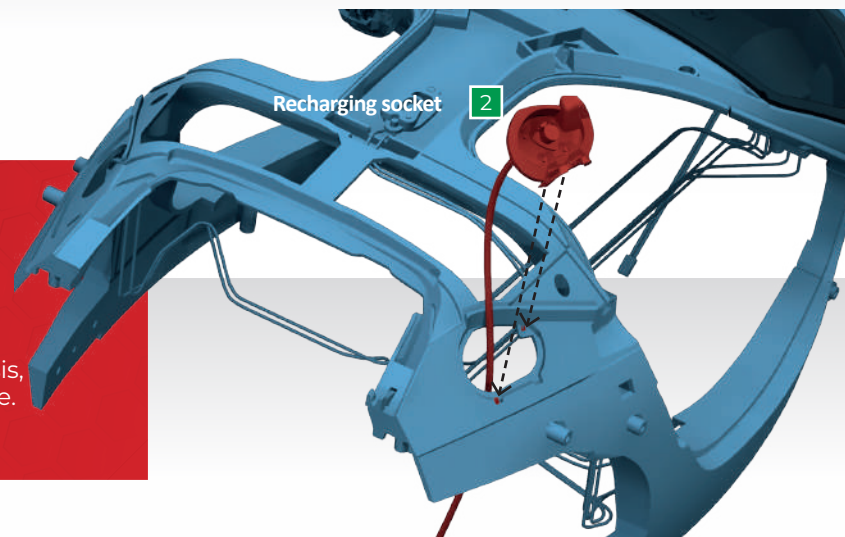
## STEP 1

Using the self-adhesive, stick the rearview mirror (3) onto the windshield (stage 57). Push the windshield into the holes of the chassis as shown.



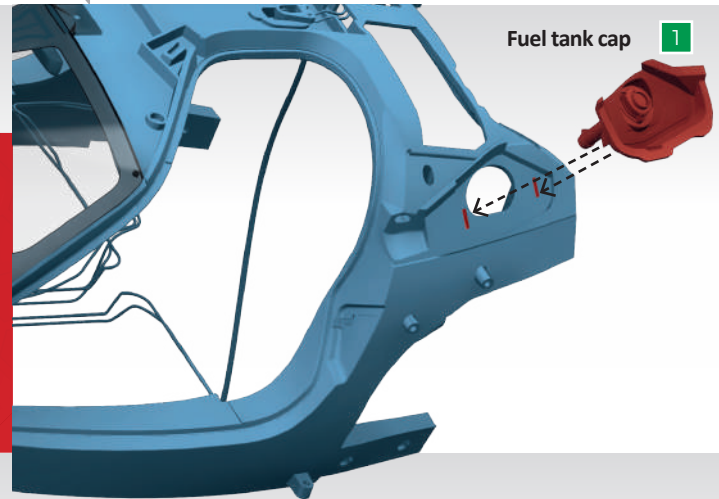
## STEP 2

Thread the cable of the recharging socket (2) through the opening on the right side of the chassis, then fit the socket in place.



## STEP 3

Install the fuel tank cap (1) on the opposite side of the chassis by pressing the fittings into the indicated openings.



## STAGE COMPLETE

The windshield, fuel tank cap and recharging socket have been fitted. Take care when handling the assembly to avoid damage to the windshield.



# STAGE 59 THE RIGHT DOOR (1)

DESIGNED FOR OUTSTANDING PERFORMANCE, THE PRANCING HORSE TWO-SEATER FEATURES SLEEK DESIGN REFLECTED IN THE SINUOUS CURVES OF THE DOORS

## PARTS LIST

NO.	PART	QUANTITY	MATERIAL
1	Right door (lower)	1	ABS
2	Right door (upper)	1	Metal
3	Screw type B	2	Metal

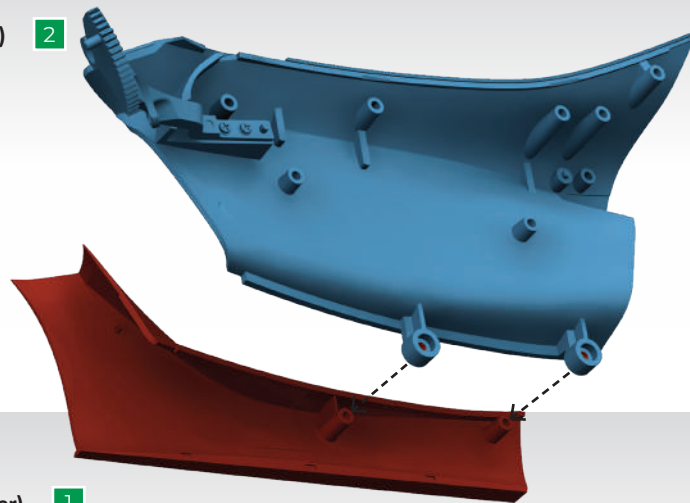




## STEP 1

Press the upper (2) and lower (1) parts of the right door together.

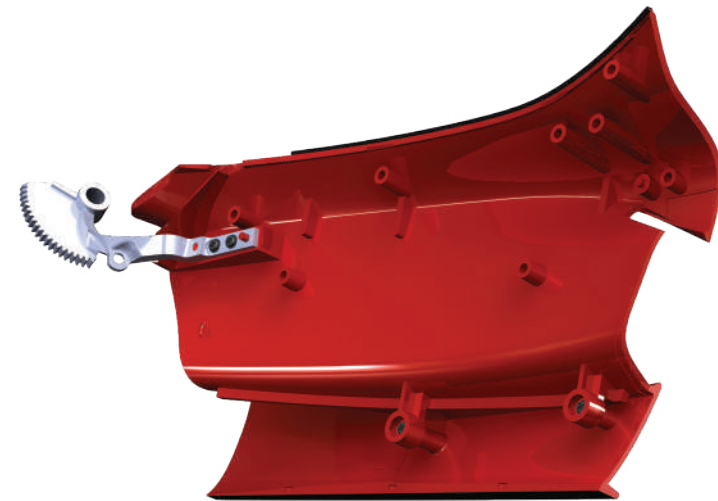
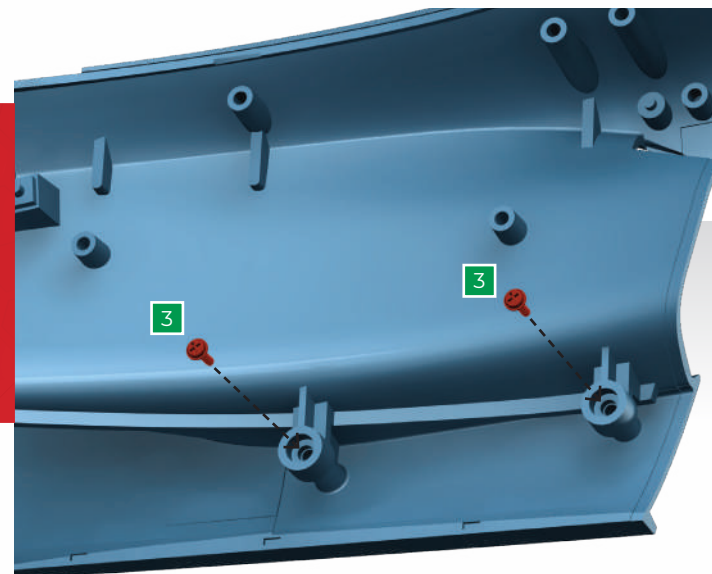
Right door (upper) 2



Right door (lower) 1

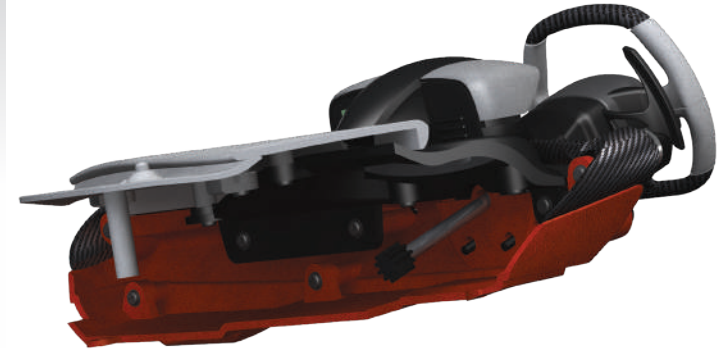
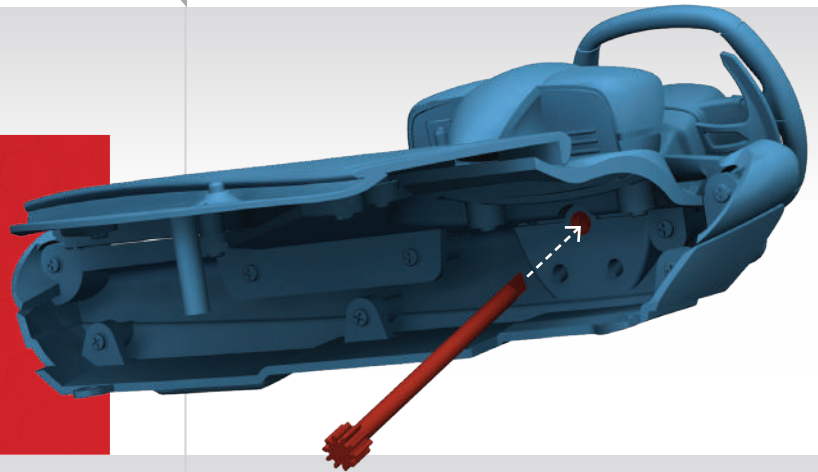
## STEP 2

Secure the parts together using two type B screws (3).



### STEP 3

Insert the steering shaft (stage 52) into the opening in the dashboard, fitting the semi-circular connection into the steering wheel.



### STAGE COMPLETE

The parts of the right door have been fitted together. You'll continue assembly of the door in the next stage.

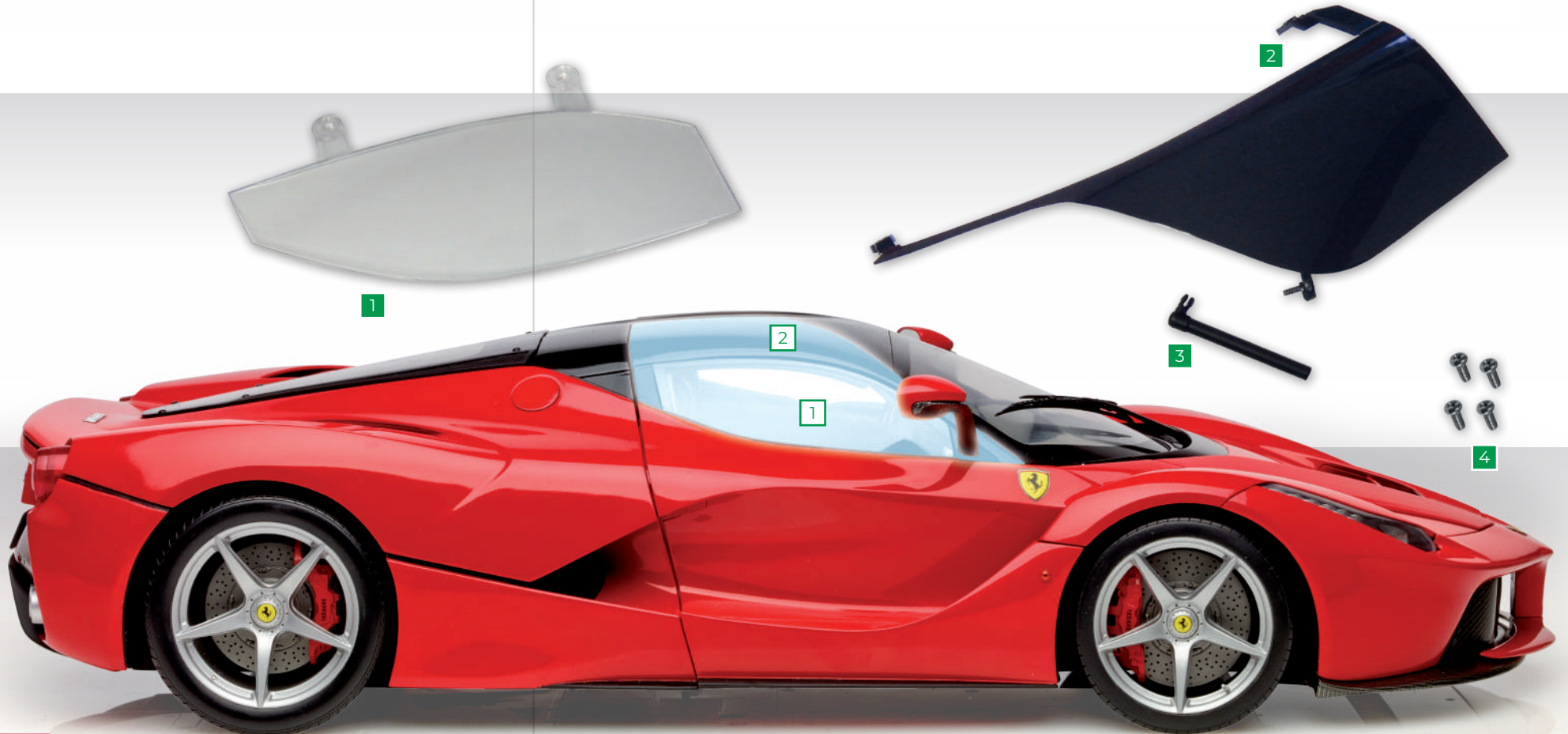


# STAGE 60 THE RIGHT DOOR (2)

WITH THEIR TAPERED SHAPE, THE WINDOWS COMPLEMENT THE SLEEK LINES OF THE DOORS WHILE PROVIDING EXCELLENT VISIBILITY FOR THE DRIVER

## PARTS LIST

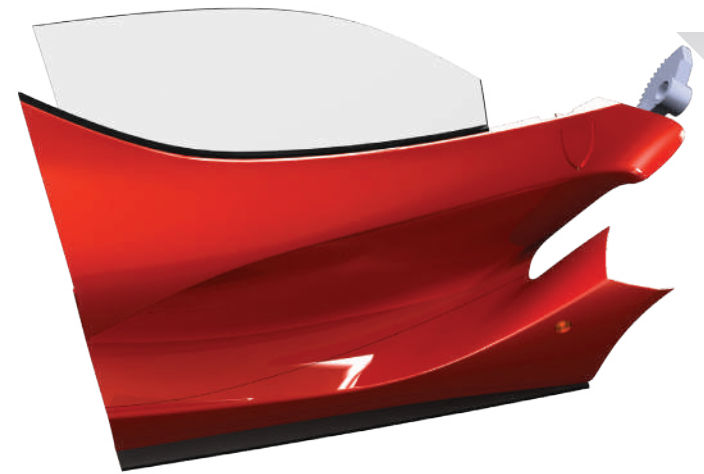
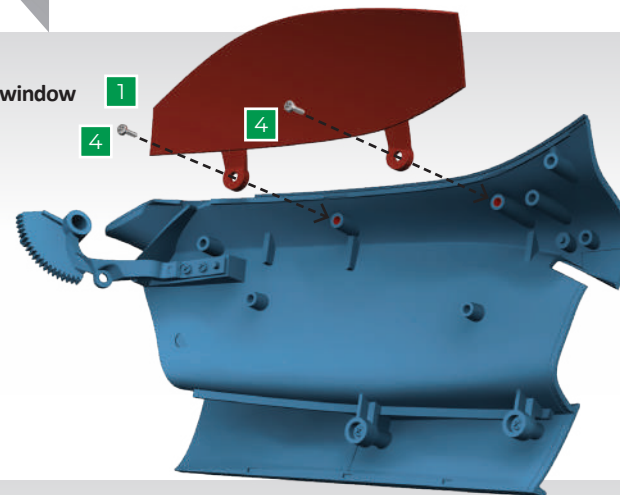
NO.	PART	QUANTITY	MATERIAL
1	Right window	1	ABS
2	Right door upper panel	1	ABS
3	Right door piston	1	ABS
4	Screw type G	4	Metal



## STEP 1

Fit the window (1) onto the right door (stage 59) in the orientation shown and secure using two type G screws (4).

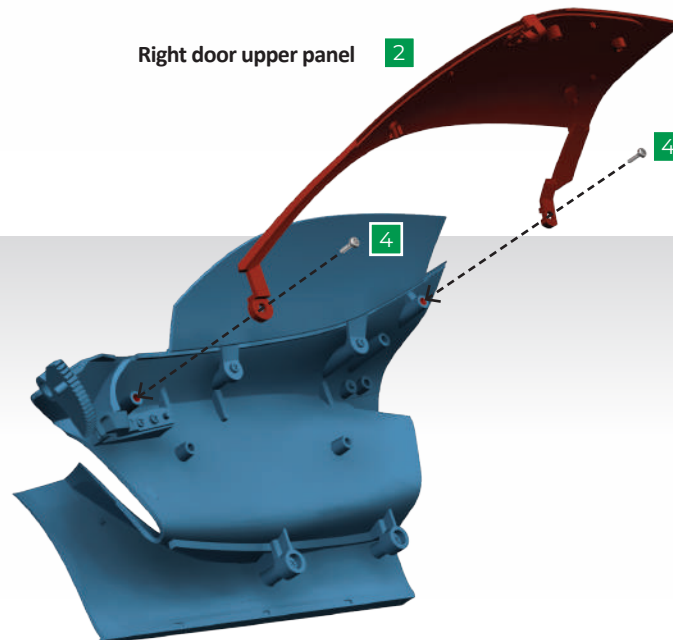
Right door window



## STEP 2

Position the right door upper panel (2) then secure in place using two type G screws (4).

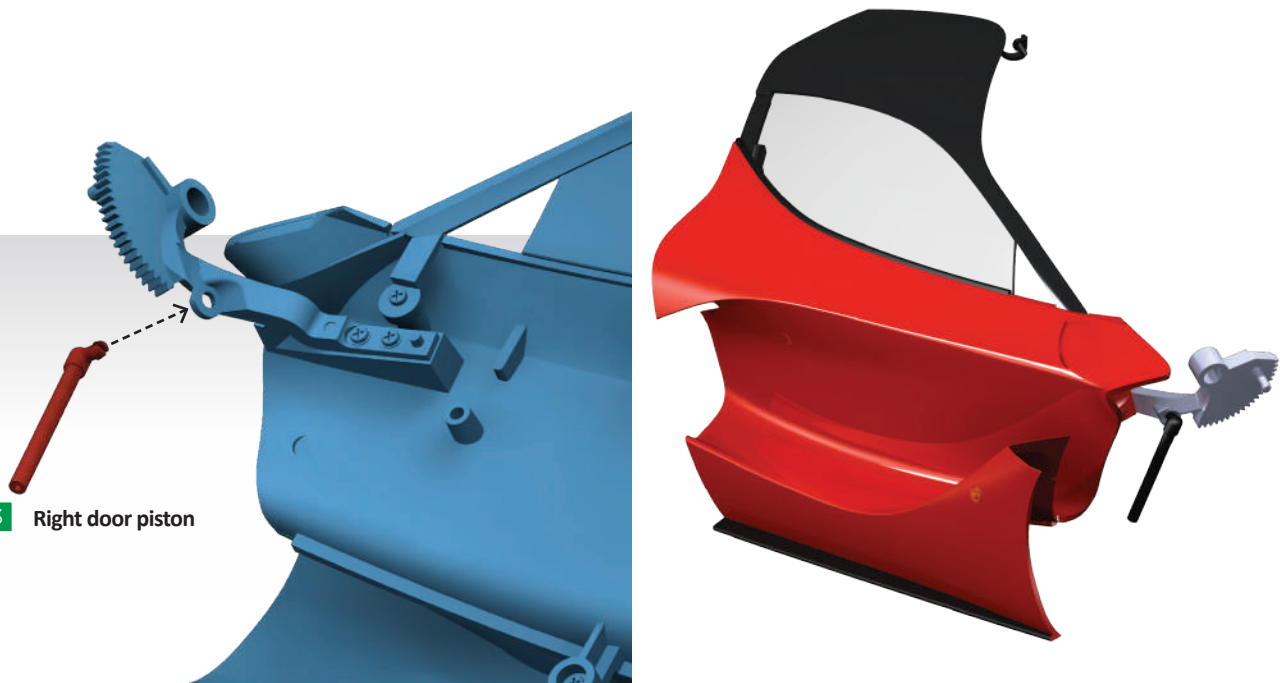
Right door upper panel



## STEP 3

Push the fitting on the piston (3) into the hole as shown. Once in place it should be able to move around freely.

3 Right door piston



## STAGE COMPLETE

The window, upper panel and piston for the right door have been fitted. You'll continue to assemble the right door in the next stage.

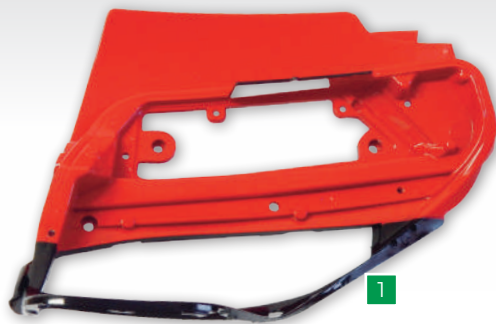


# STAGE 61 THE RIGHT DOOR (3)

LIKE ALL PARTS OF THE LAFERRARI, THE DOORS FEATURE A HIGHLY INTRICATE STRUCTURE, METICULOUSLY DESIGNED DOWN TO THE SMALLEST DETAIL

## PARTS LIST

NO.	PART	QUANTITY	MATERIAL
1	Right door interior	1	ABS
2	Right door detail	1	ABS
3	Right door front lining panel	1	ABS
4	Upper interior lining	1	ABS
5	Screw type Q	2	Metal
6	Screw type AA	1	Metal
7	Screw type G	3	Metal



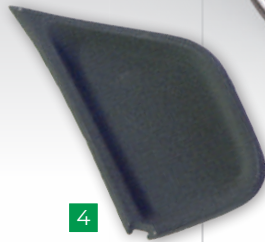
1



2



3



4



5



6

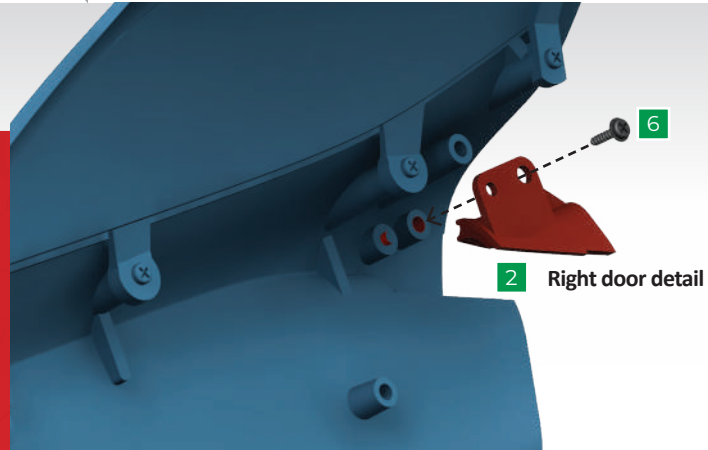


7



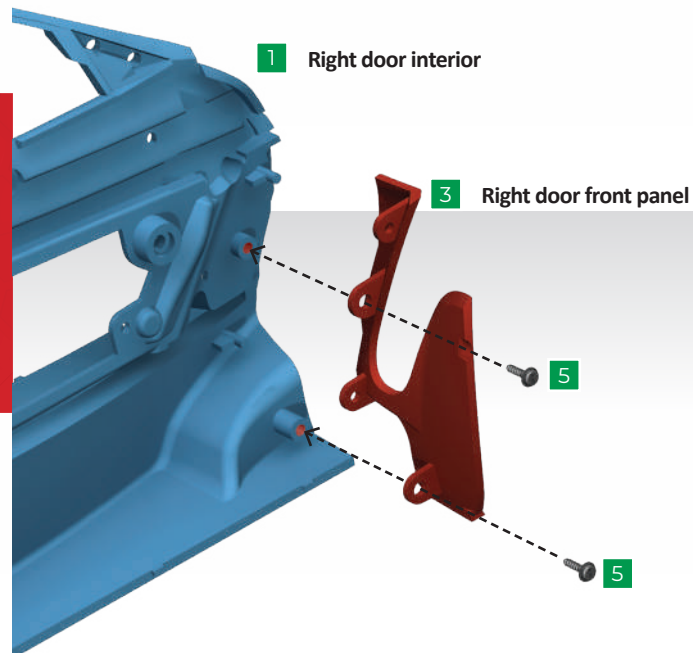
## STEP 1

Fit the detail (2) onto the right door as shown then secure using a type AA screw (6).



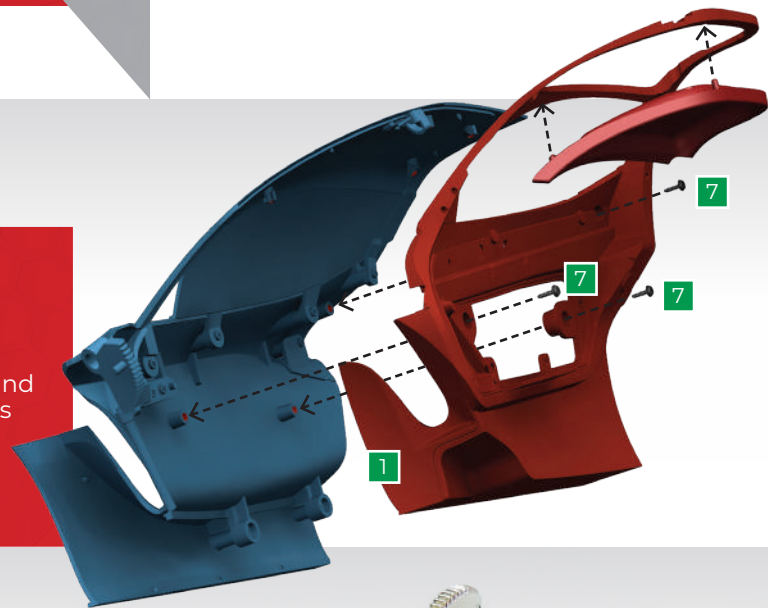
## STEP 2

Fit the front panel (3) onto the right door interior (1) in the orientation shown. Secure using two type Q screws (5).

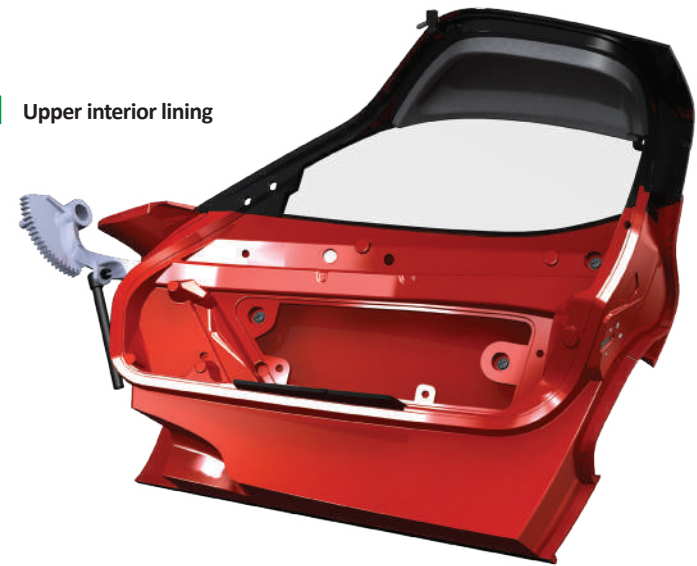


### STEP 3

Position the interior (1) onto the right door assembly (stage 60) and secure using three type G screws (7). Press the upper interior lining (3) in place as shown.



3 Upper interior lining



### STAGE COMPLETE

The main structure of the right door is now complete, in the next stage you'll add more details to it.





# STAGE 62 THE RIGHT DOOR (4)

IN AUTOMOTIVE HISTORY, THERE IS NO SYMBOL MORE BELOVED THAN THE FERRARI PRANCING HORSE, AN ICON WHICH EVOKES SPORTING SUCCESS AND QUALITY

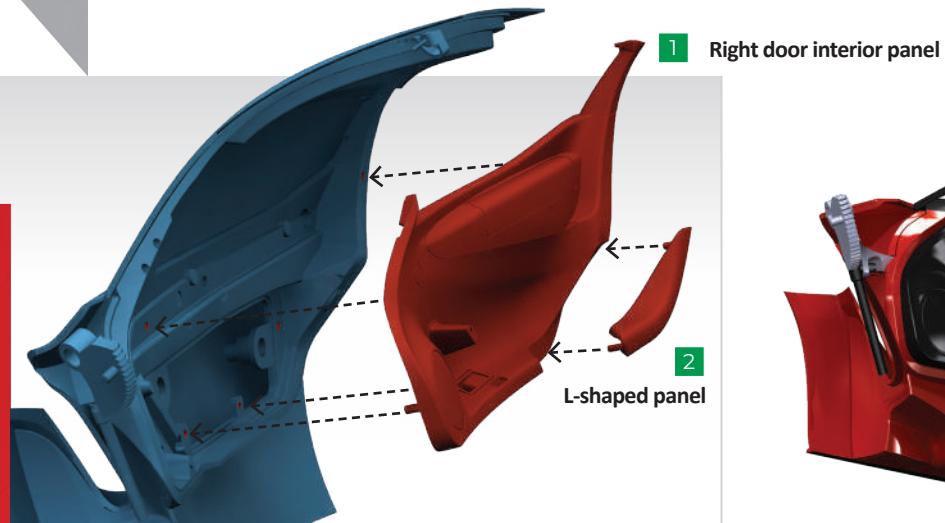
## PARTS LIST

NO.	PART	QUANTITY	MATERIAL
1	Right door interior panel	1	ABS
2	L-shaped panel	1	ABS
3	Armrest	1	ABS
4	Ferrari emblem	1	ABS



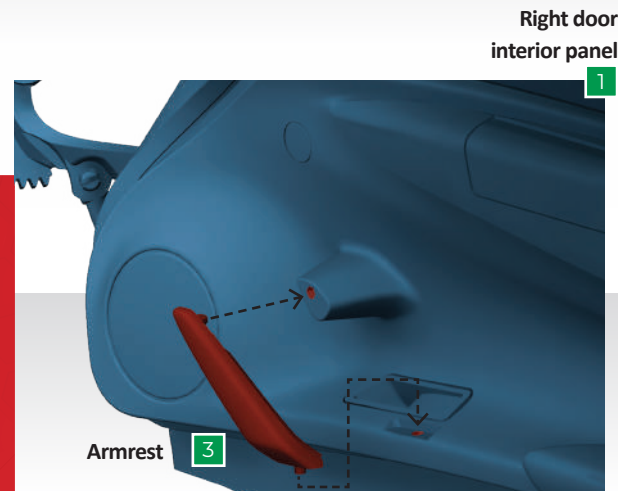
## STEP 1

Install the interior panel (1) by pressing it into the right door assembly (stage 61), then fit the L-shaped panel (2) into position.



## STEP 2

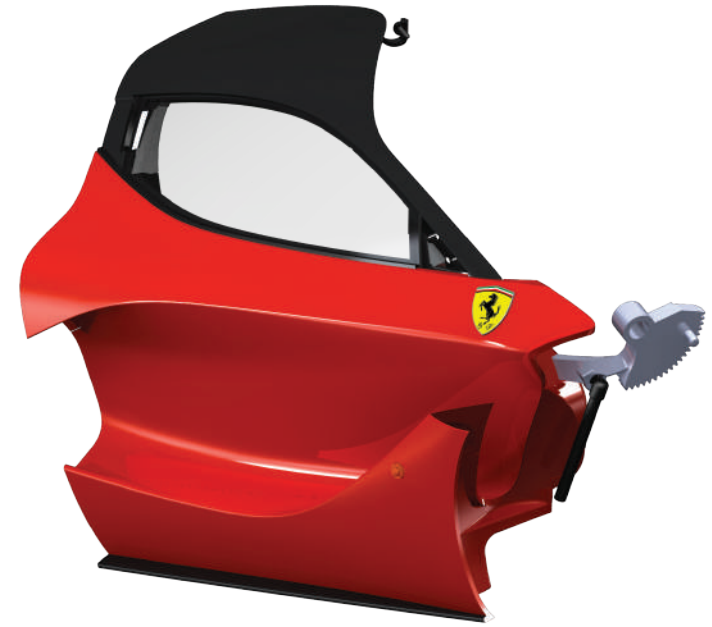
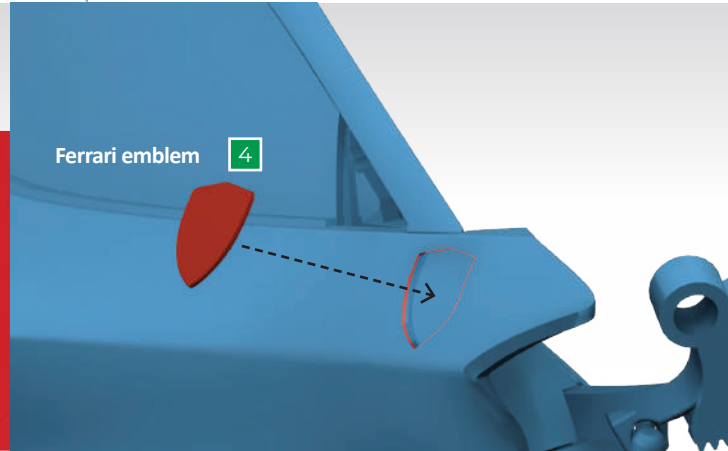
Press the armrest (3) into the interior panel (1) as shown.



### STEP 3

Using the adhesive backing, carefully press the Ferrari emblem (4) into the recess located on the right door.

Ferrari emblem 4



### STAGE COMPLETE

The details of the right door have been added. Carefully store the assembly away, taking care to protect the paint, until it is needed for mounting onto your model.

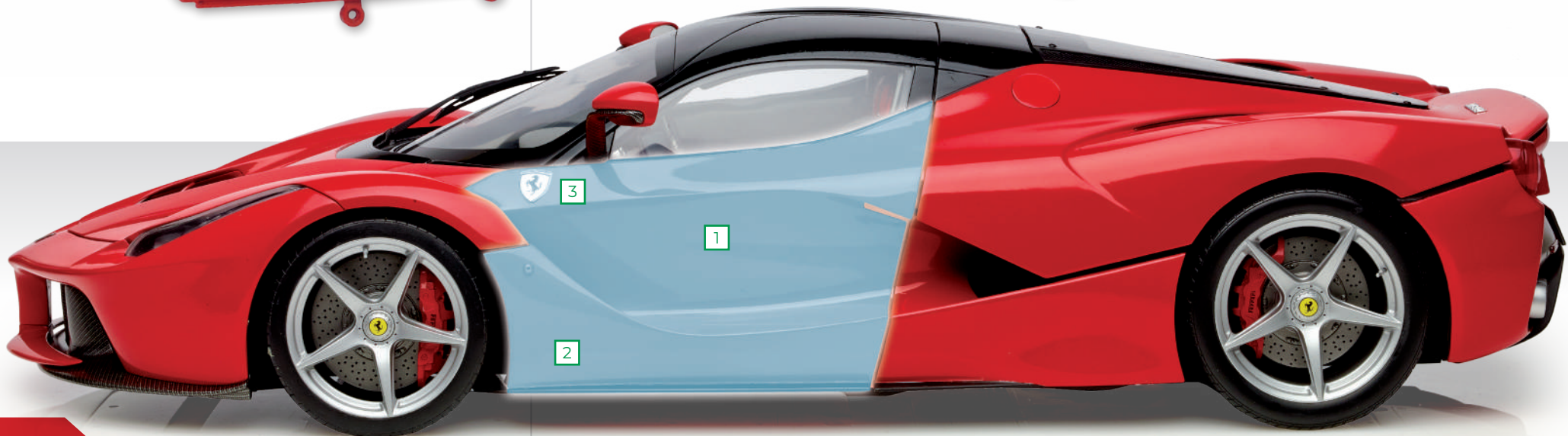


# STAGE 63 THE LEFT DOOR (1)

EVERY DETAIL OF THE  
LAFERRARI CONTRIBUTES  
TO ITS AERODYNAMIC DESIGN,  
METICULOUSLY TESTED  
IN A WIND TUNNEL

## PARTS LIST

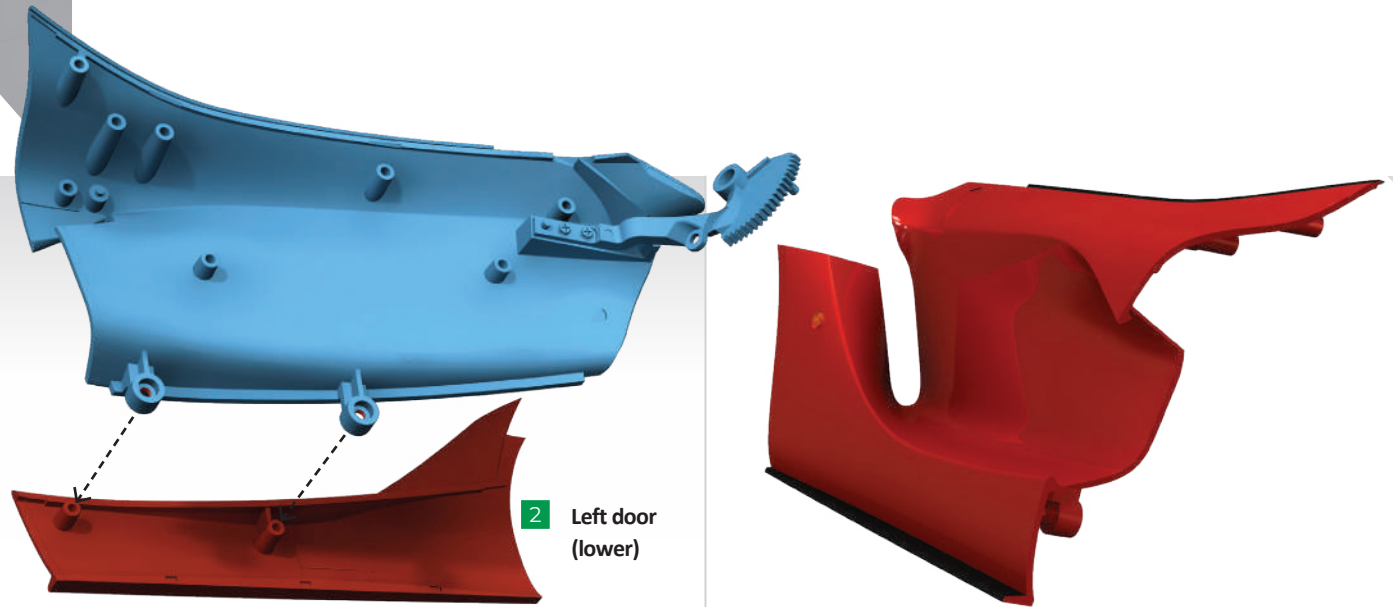
NO.	PART	QUANTITY	MATERIAL
1	Left door (upper)	1	Metal
2	Left door (lower)	1	ABS
3	Ferrari Emblem	1	ABS
4	Screw type B	2	Metal



Left door (upper) **1**

## STEP 1

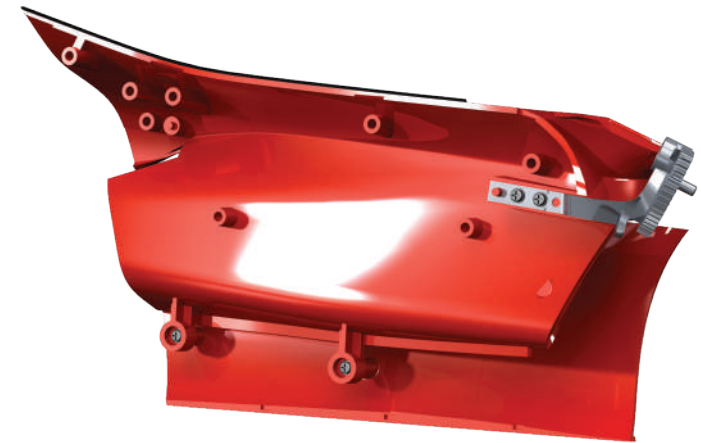
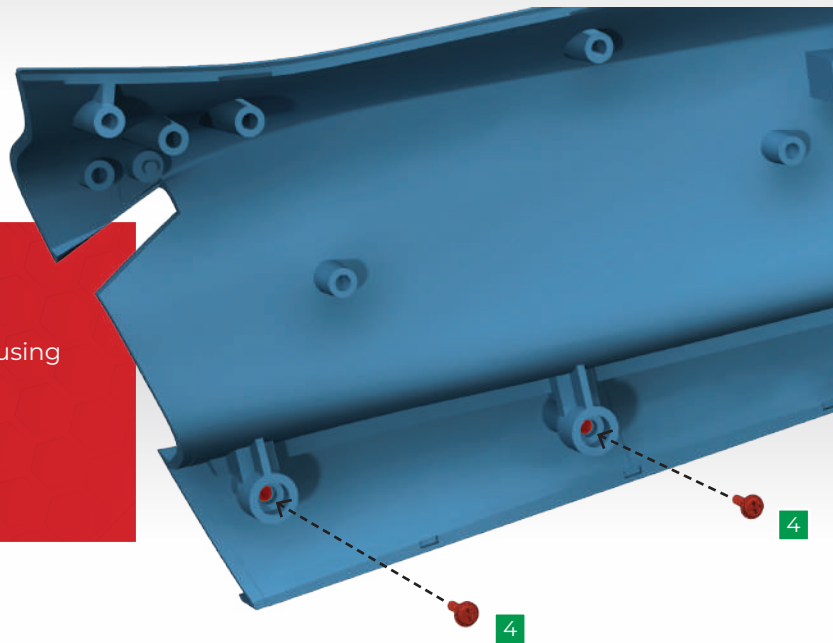
Fit the upper (1) part of the left door onto the lower (2) part as shown.



**2** Left door (lower)

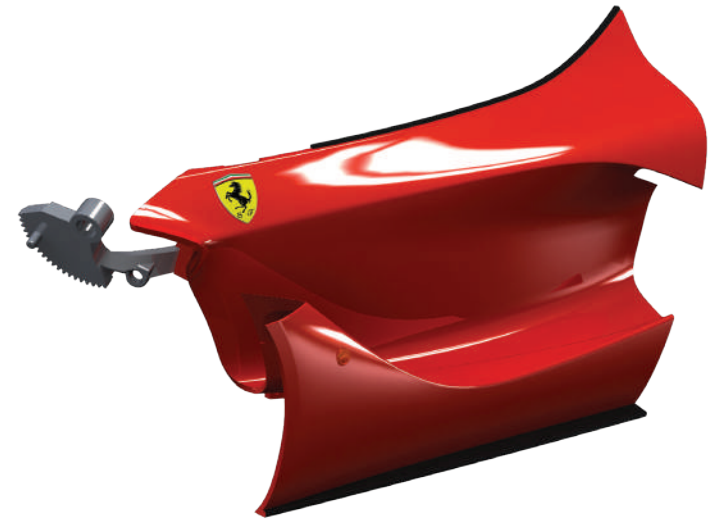
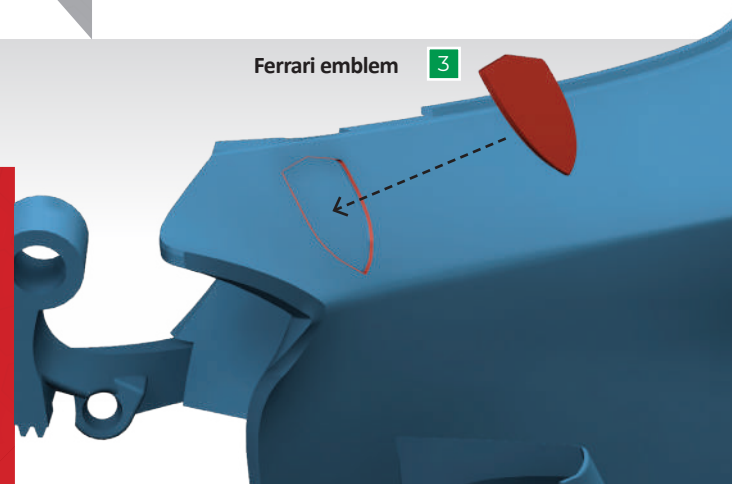
## STEP 2

Secure the parts together using two type B screws (4).



## STEP 3

Use the adhesive backing to press the Ferrari emblem (3) into the recess in the upper door.



## STAGE COMPLETE

You've started assembly on the left door for your 1:8 scale LaFerrari. The build will continue in the next stage.

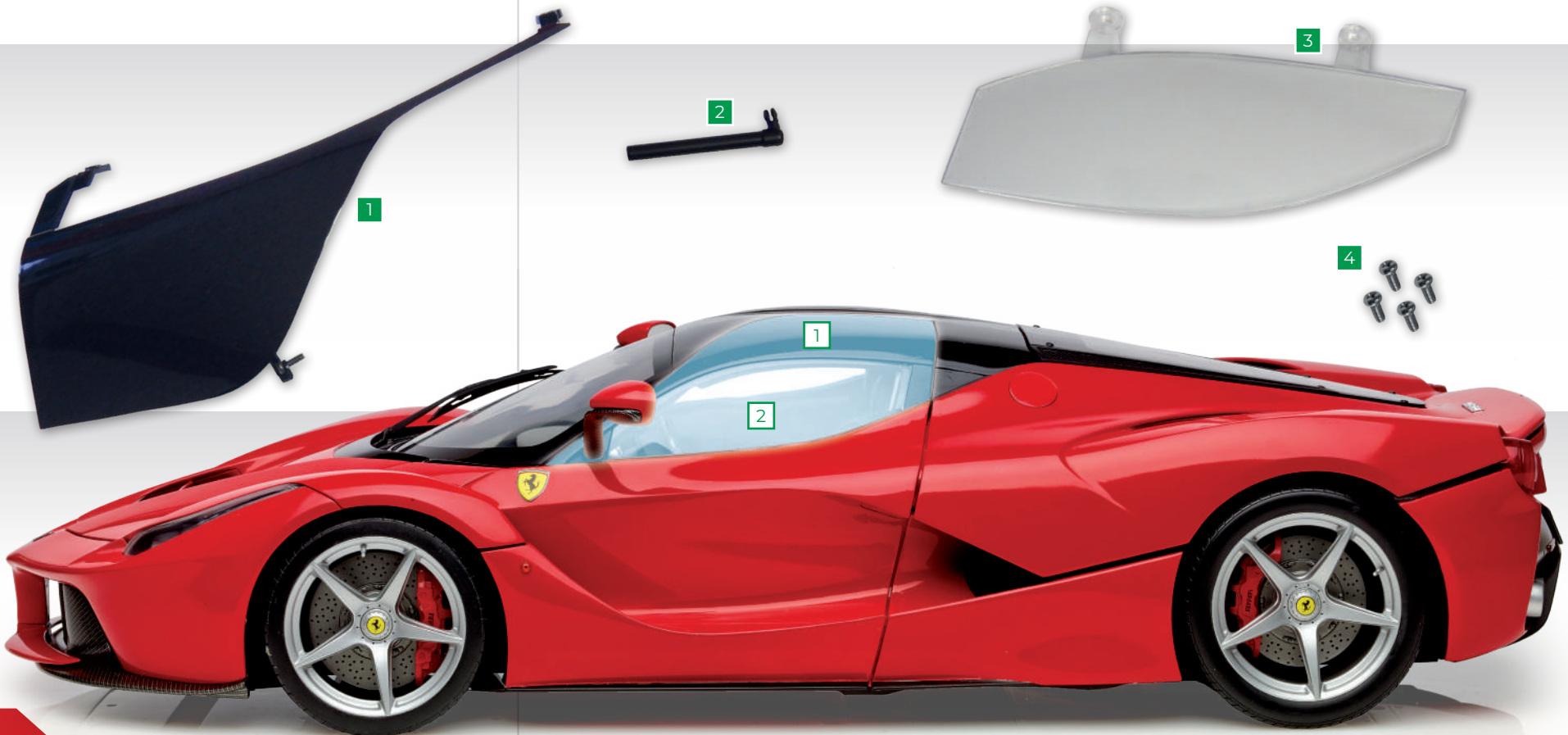


# STAGE 64 THE LEFT DOOR (2)

IN ORDER TO ENSURE MAXIMUM  
VISIBILITY, THE WINDOWS OF  
THE LAFERRARI PERFECTLY  
COMPLEMENT THE SIDE PROFILE  
OF THE BODYWORK

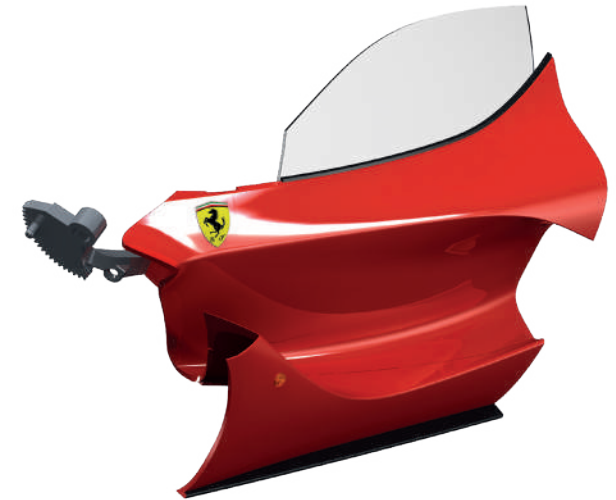
## PARTS LIST

NO.	PART	QUANTITY	MATERIAL
1	Left door upper panel	1	ABS
2	Left door piston	1	ABS
3	Left door window	1	ABS
4	Screw type G	4	Metal



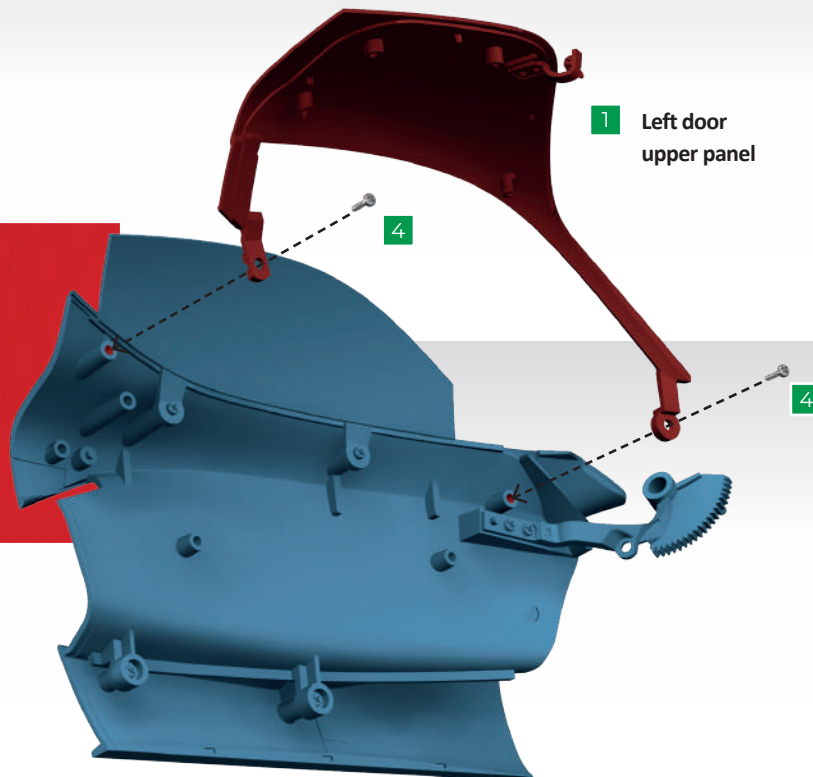
## STEP 1

Position the window (3) onto the left door assembly (stage 63) and secure with two type G screws (4).



## STEP 2

Fit the upper panel (1) and fix in place using two type G screws (4).



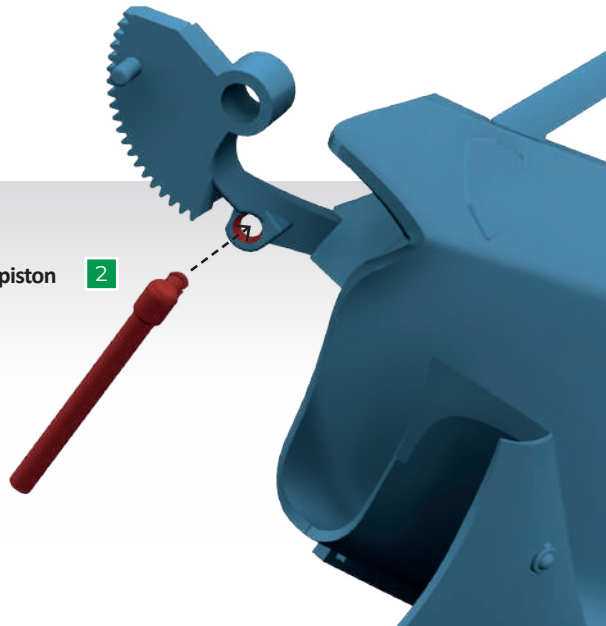


## STEP 3

Press the piston (2) in place in the same way as before.

Left door piston

2



## STAGE COMPLETE

Assembly of the left door will continue in the next pack. Store the parts away safely for now, ensuring the bodywork is protected.

