

Pack 4

# LaFerrari

*1:8 SCALE*

THE ULTIMATE HYPERCAR  
ULTIMATE PERFORMANCE  
ULTIMATE STYLE

**AGORA**  
MODELS®

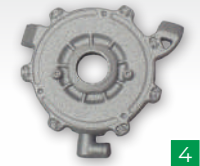
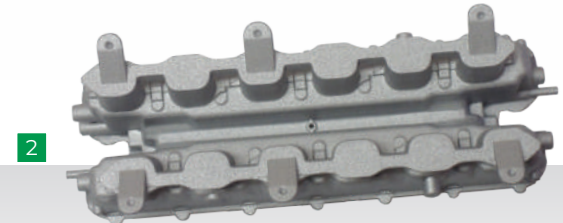


# STAGE 25 THE ALTERNATOR

THE ALTERNATOR CONVERTS PART OF THE ENERGY GENERATED BY THE ENGINE INTO ELECTRICITY TO KEEP THE BATTERY CHARGED. THE BATTERY IS NECESSARY FOR STARTING THE ENGINE AND FOR THE OTHER ELECTRICAL FUNCTIONS OF THE CAR.

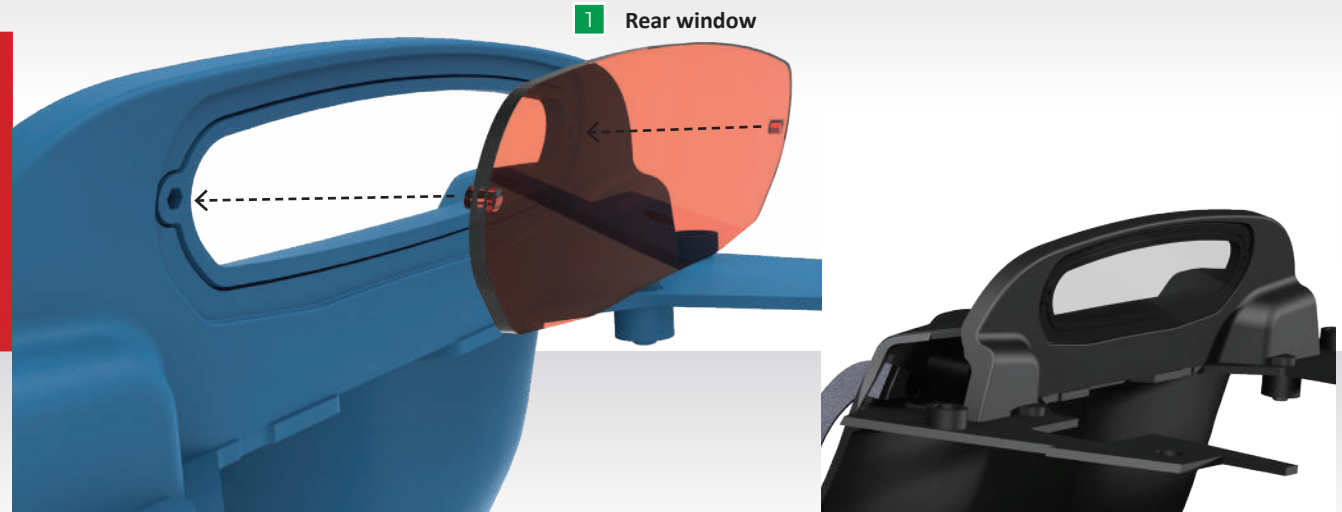
## PARTS LIST

NO.	PART	QUANTITY	MATERIAL
1	Rear window	1	Polycarbonate
2	Cylinder block	1	ABS
3	Alternator (part A)	1	ABS
4	Alternator (part B)	1	ABS



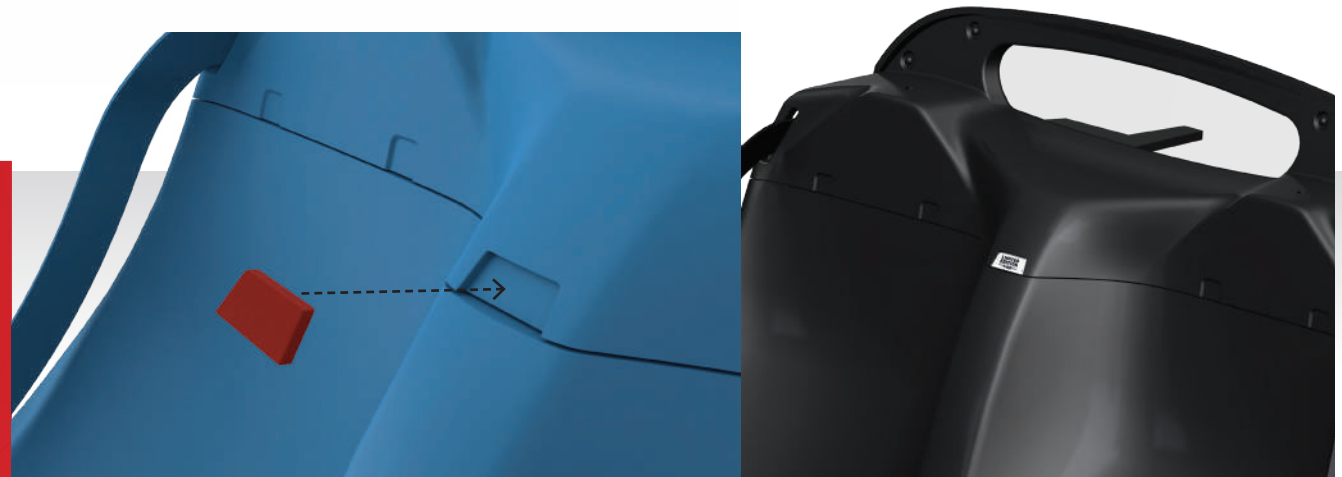
## STEP 1

Fit the rear window (1) onto the rear bezel using the pins as shown. You can add a drop of super glue if needed.



## STEP 2

Take the "Limited Edition" adhesive plate from Stage 24 and fit it into its housing, located between the two seats, then remove its clear protective film.



## STAGE COMPLETE

The photo shows how the assembly should now look. Keep it in a safe place until it is needed again.

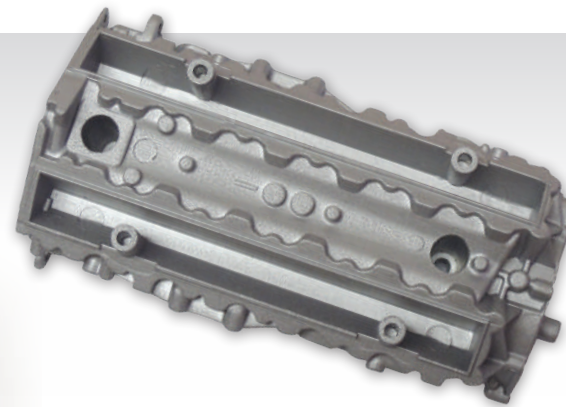


# STAGE 26 THE STARTER MOTOR

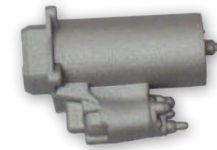
ALTHOUGH IT IS A TRULY EXTRAORDINARY CAR, THE LAFERRARI STILL HAS SOME ESSENTIAL ELEMENTS FOUND IN ANY OTHER CAR, SUCH AS AN ELECTRIC STARTER MOTOR.

## PARTS LIST

NO.	PART	QUANTITY	MATERIAL
1	Motor base	1	Metal
2	Starter motor	1	ABS
3	Recovery pump	1	ABS
4	Screws type B	2	Metal



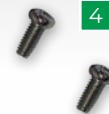
1



2



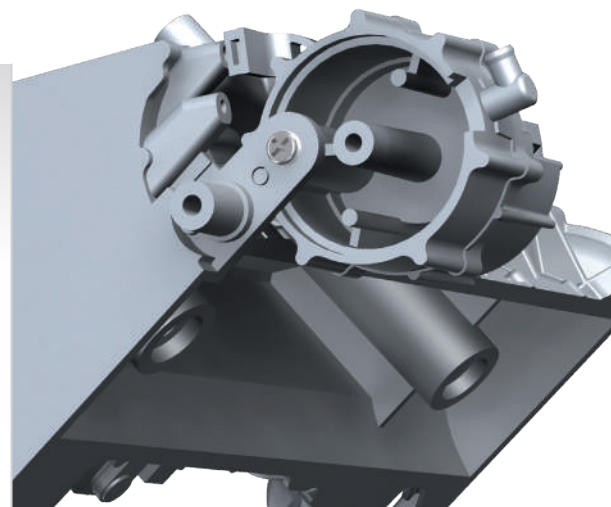
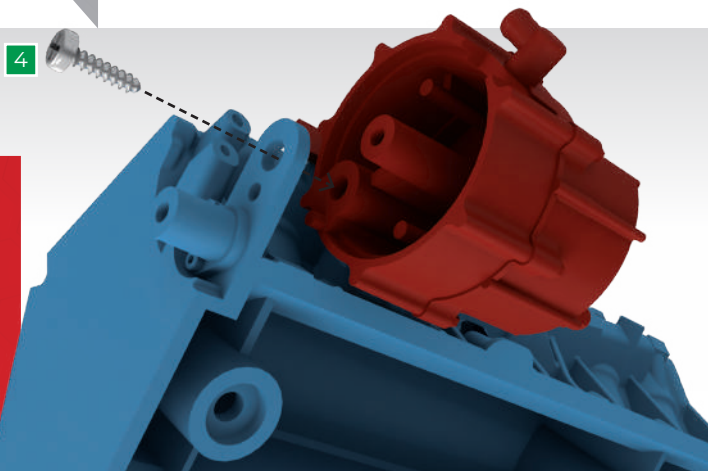
3



4

## STEP 1

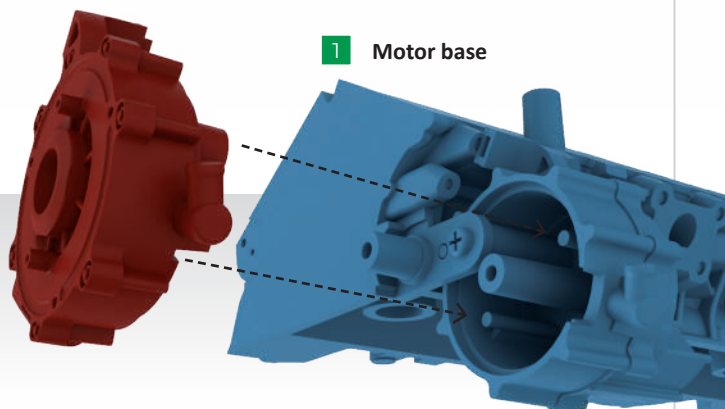
Take part A of the alternator (stage 25) and fit it onto the motor base (1). Secure using a type B screw (4) – making sure not to overtighten it.



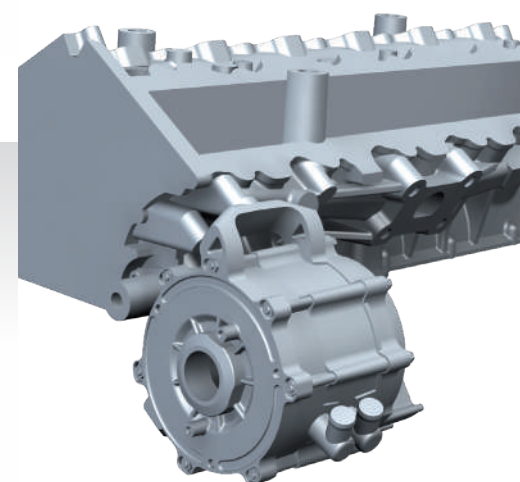
Motor base 1

## STEP 2

Now you can close the alternator by joining part B (stage 25) to part A. Fit the parts together using the pins and holes as shown.

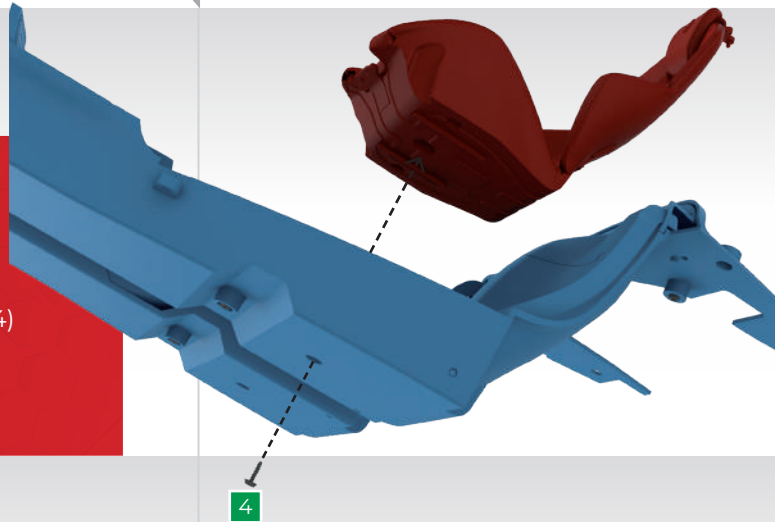


1 Motor base



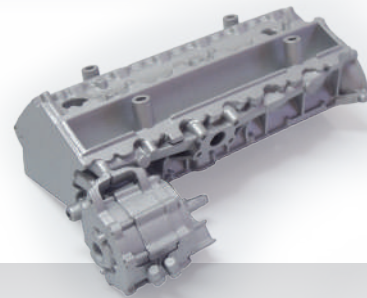
### STEP 3

Fit the driver's seat into the passenger compartment cradle. Use a type B screw (4) to secure it in place.



### STAGE COMPLETE

You have now mounted the alternator onto the motor base and fitted the first seat into the passenger compartment cradle. Set the assemblies aside for now until they are needed later.

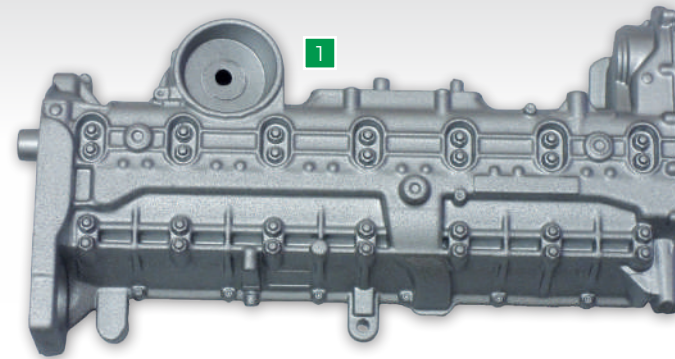


# STAGE 27 THE POWERFUL ENGINE

AS WITH ALL VERY HIGH PERFORMANCE CARS, LAFERRARI COMES WITH A DRY SUMP ENGINE. THE LUBRICANT IS INJECTED INTO THE ENGINE AFTER BEING CLEANED BY THE OIL FILTER.

## PARTS LIST

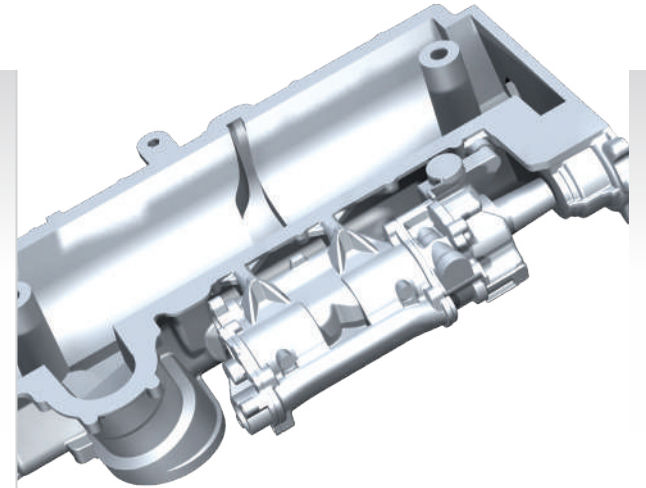
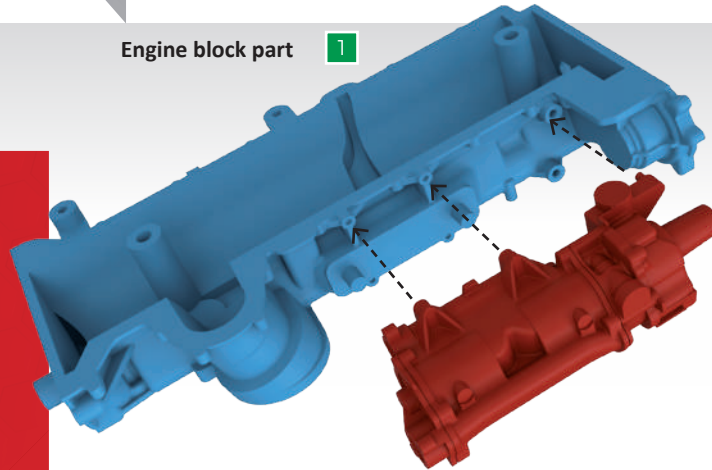
NO.	PART	QUANTITY	MATERIAL
1	Engine block part	1	Metal
2	Oil filter	1	ABS





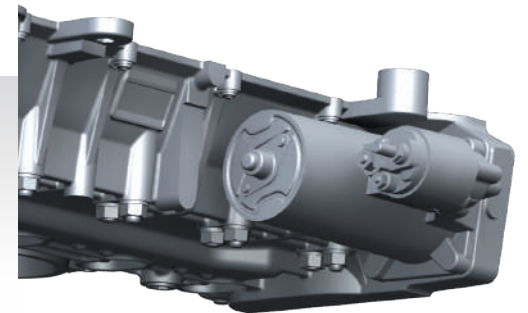
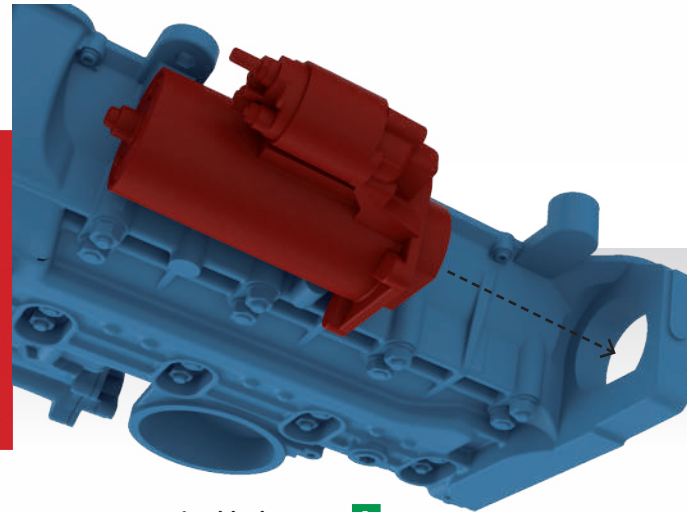
## STEP 1

Take the recovery pump (stage 26) and press-fit it to the engine block part (1) as shown in the picture. Make sure the pieces are oriented correctly.



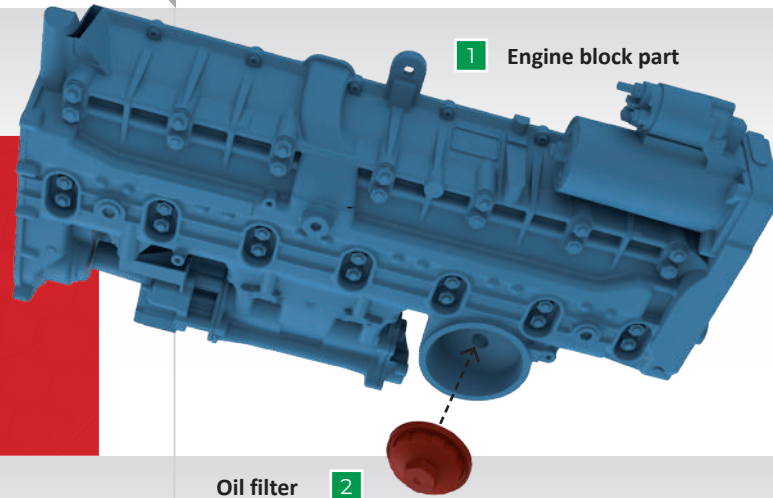
## STEP 2

Take the starter motor (stage 26) and fit it to the engine block part (1) by inserting it into its semicircular seat.



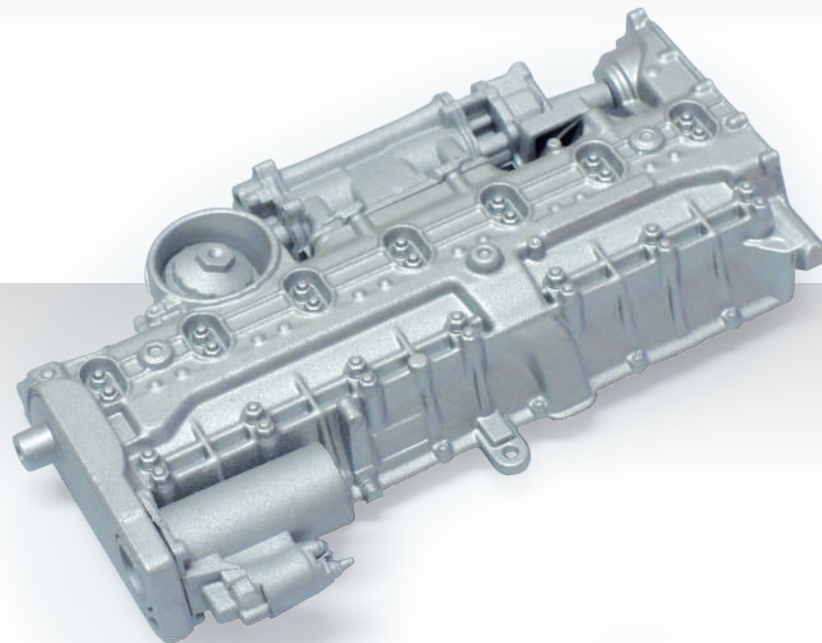
## STEP 3

Finally, fit the oil filter (2) into its round seat located on the lower face of the engine block part (1).



## STAGE COMPLETE

You've finished assembling another section of your 1:8 scale LaFerrari power unit. Store it away safely for the assembly of the rest of the engine unit at a later stage.

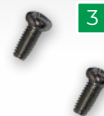
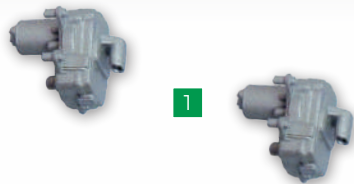


# STAGE 28 THE POTENTIOMETERS

IN HIGH-PERFORMANCE ENGINES  
LIKE THOSE IN THE LAFERRARI,  
THE LENGTH OF THE INTAKE  
TRUMPETS CAN BE ADJUSTED  
BY THE POTENTIOMETERS

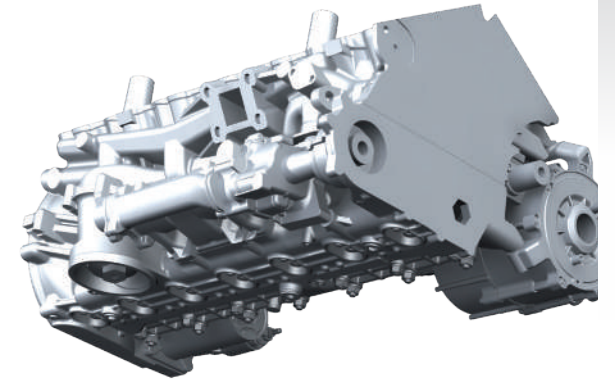
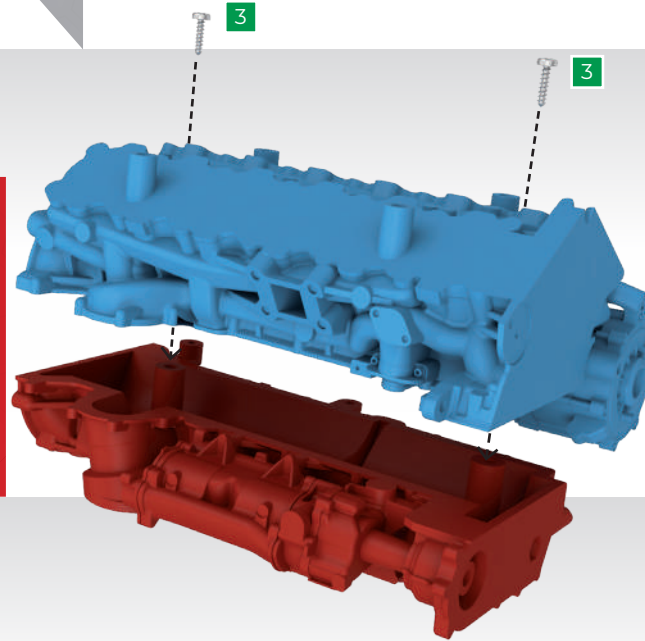
## PARTS LIST

NO.	PART	QUANTITY	MATERIAL
1	Potentiometers	2	ABS
2	Right cylinder bank	1	ABS
3	Screws type G	2	Metal



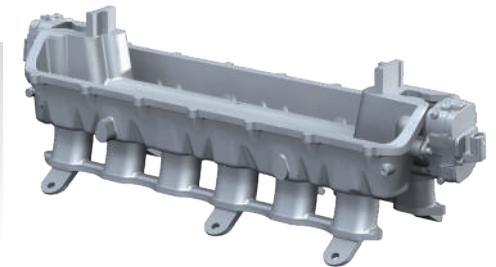
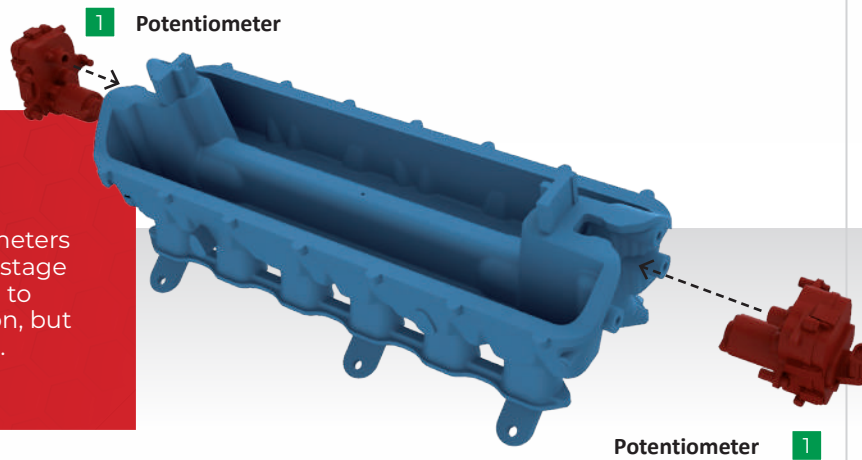
## STEP 1

Using two of the type G screws (3), fit the motor base onto the engine block part. Tighten the screws fully to ensure that the two pieces are firmly secured together.



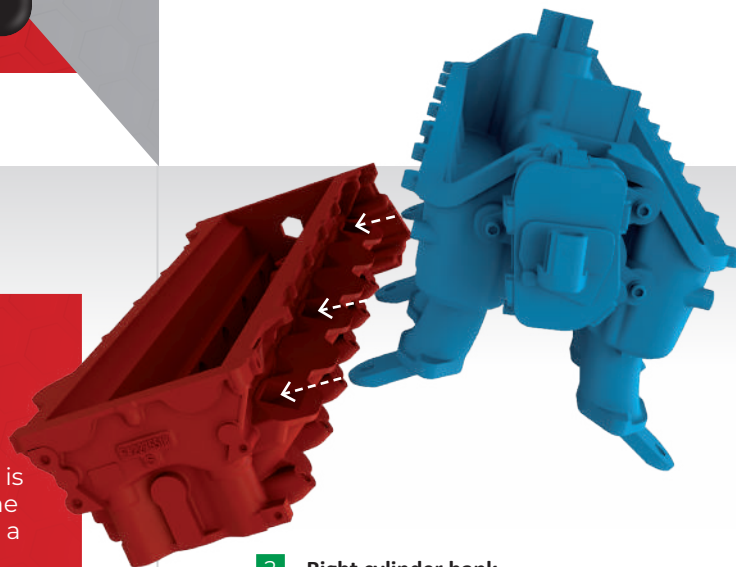
## STEP 2

Press-fit the two potentiometers (1) onto the cylinder block (stage 25). The parts are designed to provide a secure connection, but you can use glue if needed.

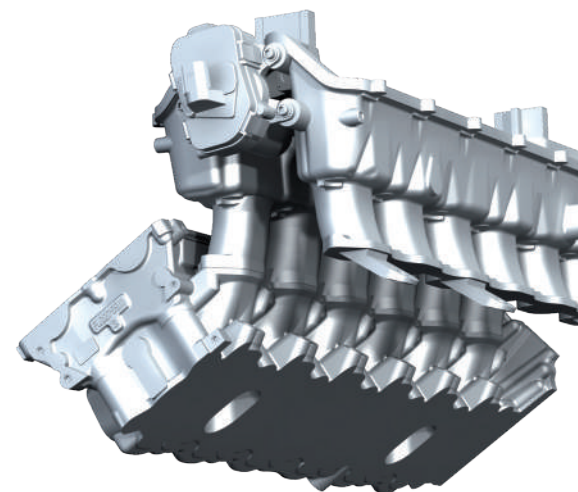


### STEP 3

Now you only need to join the cylinder block and the right cylinder bank (2). The assembly is only temporary at this stage. The permanent fit will take place at a later stage.

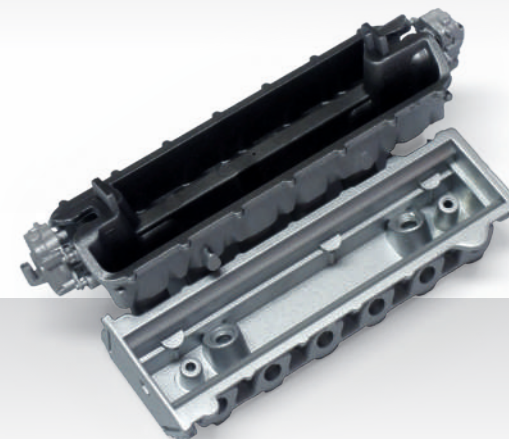
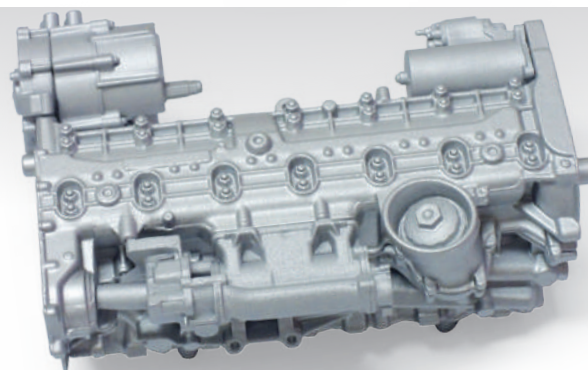


2 Right cylinder bank



### STAGE COMPLETE

You have now joined the engine block part and the base together and fitted the cylinder block with its two potentiometers, which control the movement of the trumpets, onto the right block.

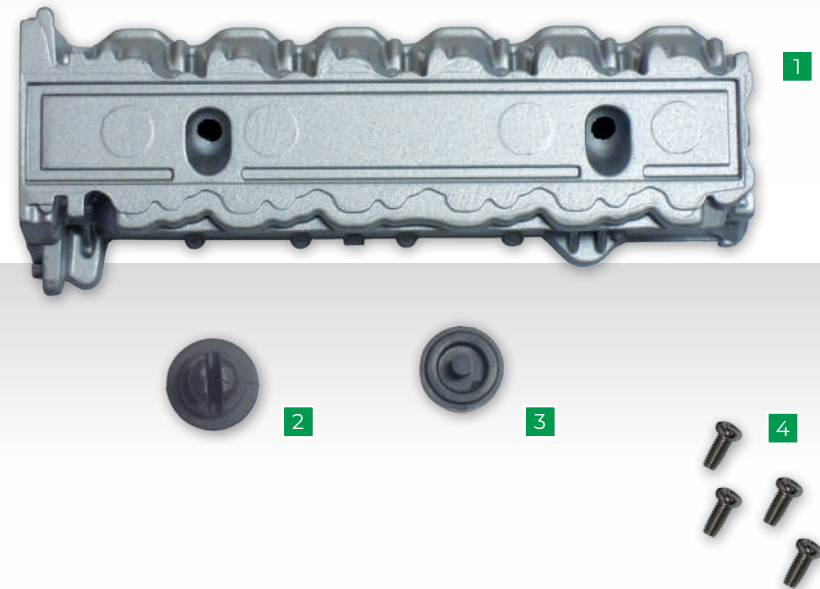


# STAGE 29 GENERATOR PULLEY

IN ORDER TO TRANSMIT THE POWER OF THE ENGINE TO THE ALTERNATOR AND CONVERT IT INTO ELECTRICAL ENERGY, A BELT CONNECTS THE PULLEY OF THE ALTERNATOR TO THE PULLEY OF THE CRANKSHAFT.

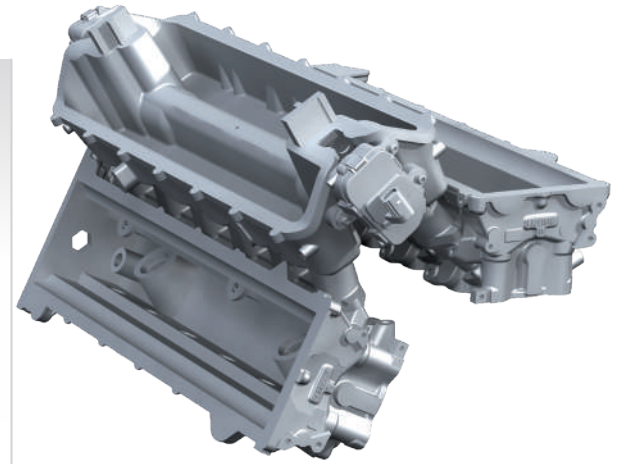
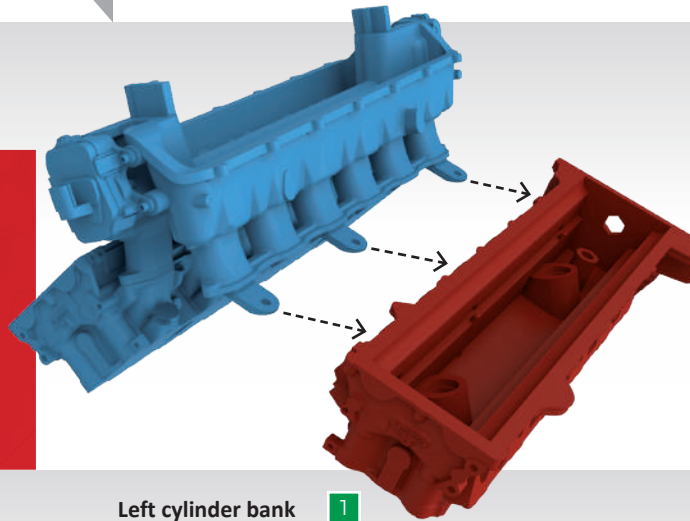
## PARTS LIST

NO.	PART	QUANTITY	MATERIAL
1	Left cylinder bank	1	ABS
2	Alternator pulley	1	ABS
3	Return pulley	1	ABS
4	Screws type G	4	Metal



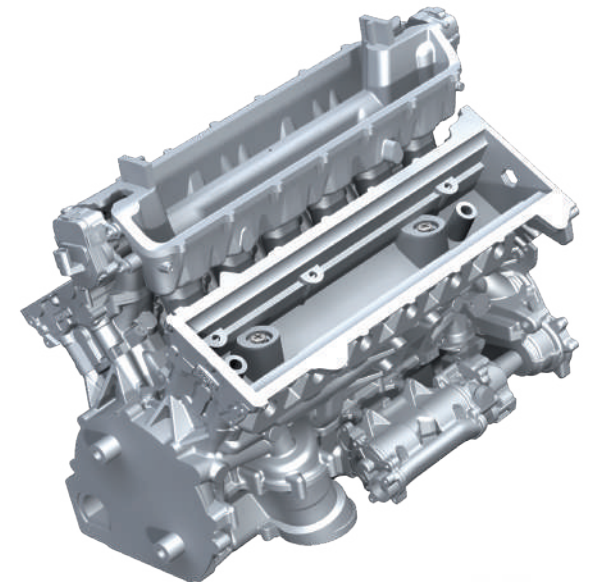
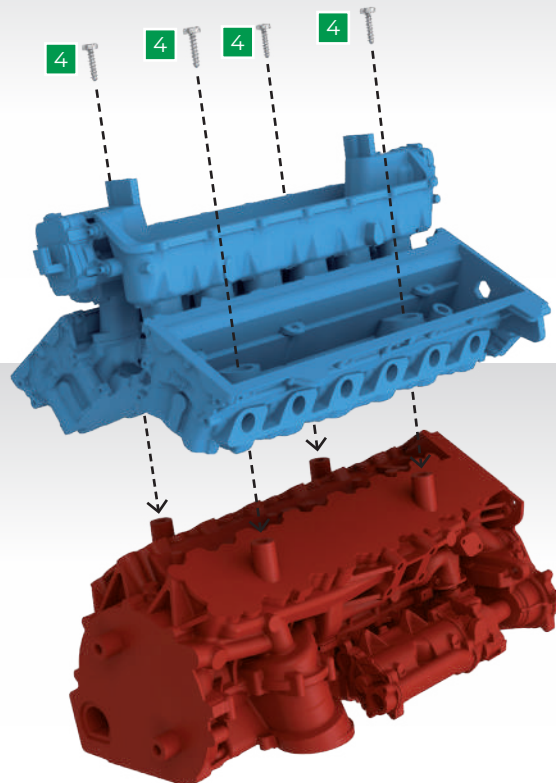
## STEP 1

Temporarily fit the cylinder block onto the left cylinder bank (1).



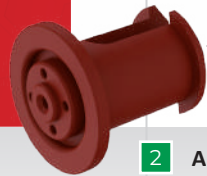
## STEP 2

Place the assembly on top of the engine base (stage 26). Insert four type G (4) screws into the four holes and tighten them firmly.

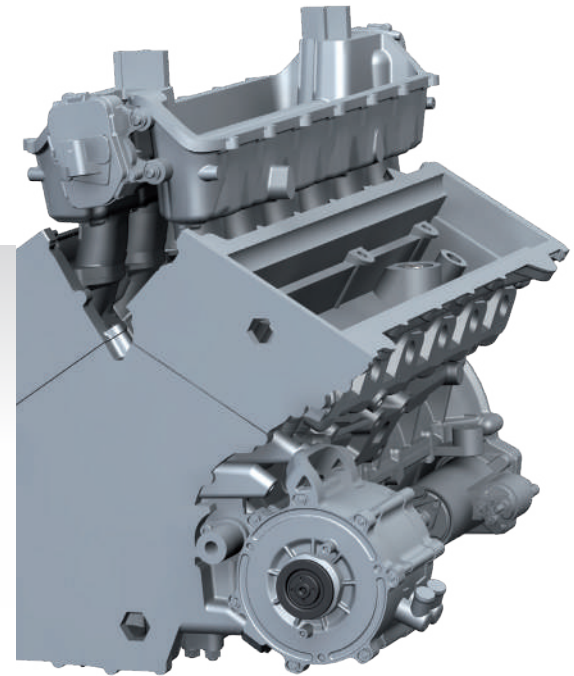
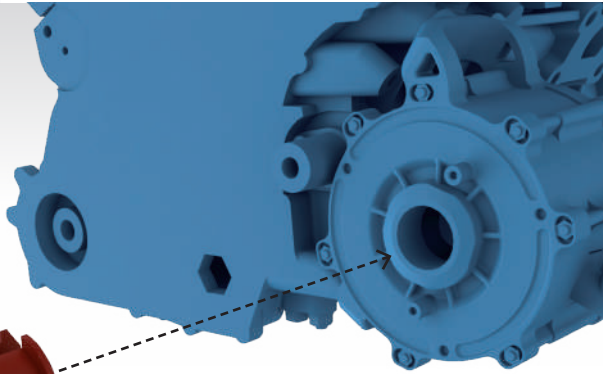


### STEP 3

Applying moderate force, insert the alternator pulley (2) into its seat. The pulley should be able to rotate once fitted.

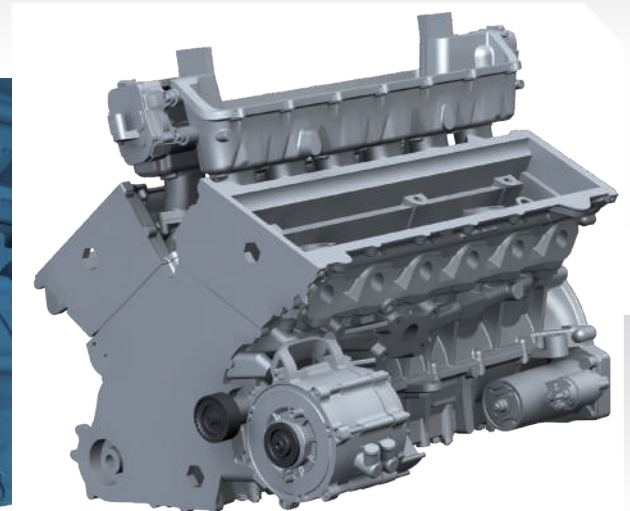
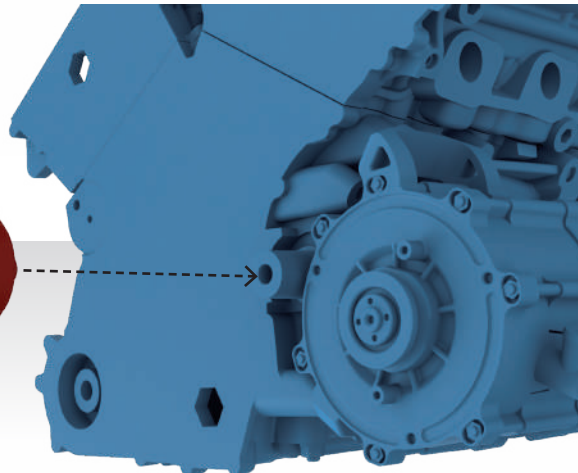


2 Alternator pulley



### STEP 4

Take the return pulley and insert it into its seat located on the base of the engine.





## STAGE COMPLETE

The engine of your 1:8 scale model has been enhanced with new details. Set it aside for now, as you will continue working on it during the next stage. Set aside the return pulley (3) for a later stage.

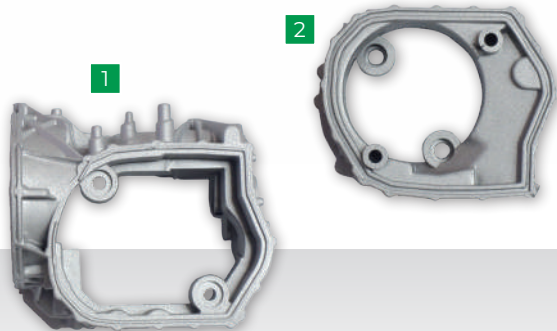


# STAGE 30 RACING GEARBOX AND CLUTCH

THE TRANSMISSION ASSEMBLY, CONSISTING OF THE DOUBLE CLUTCH AND THE F1-DERIVED SEVEN-SPEED GEARBOX, IS FIRMLY JOINED TO THE ENGINE OF THE TWO-SEATER.

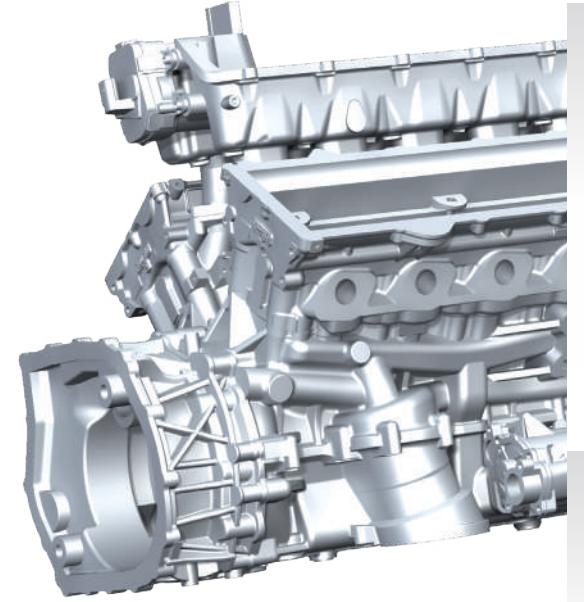
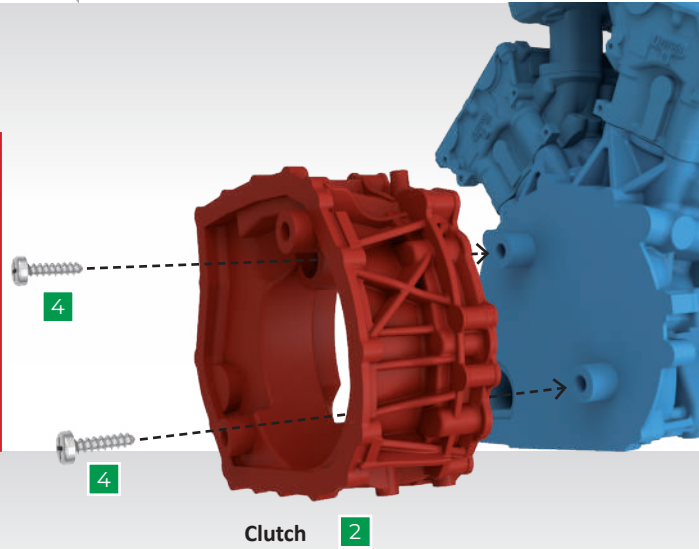
## PARTS LIST

NO.	PART	QUANTITY	MATERIAL
1	Gearbox	1	ABS
2	Clutch	1	ABS
3	Screw type I (silver)	2	Metal
4	Screw type G (silver)	2	Metal



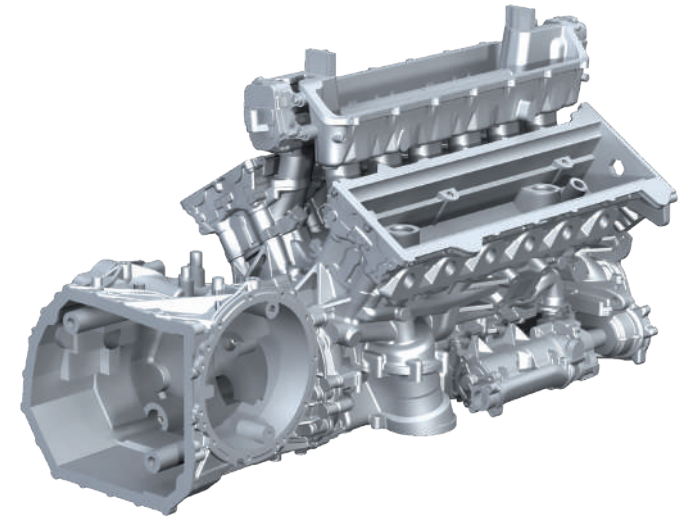
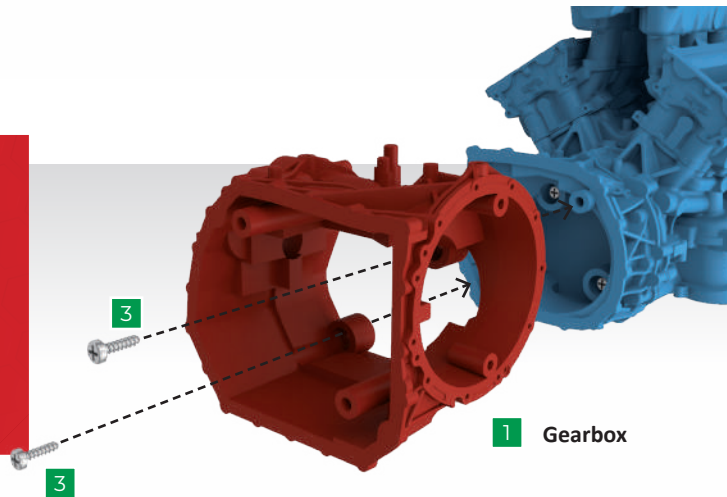
## STEP 1

Position the clutch (2) on the motor base. The components have fitting pins to help you centre the clutch correctly. Firmly secure it in place by screwing in two type G screws (4).



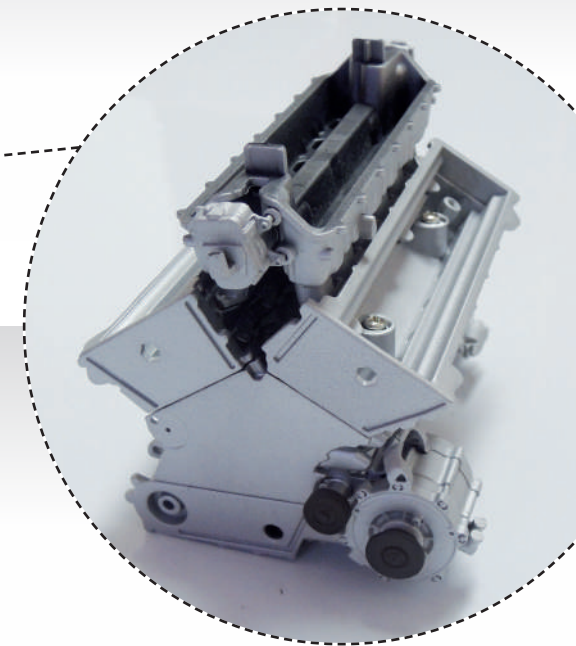
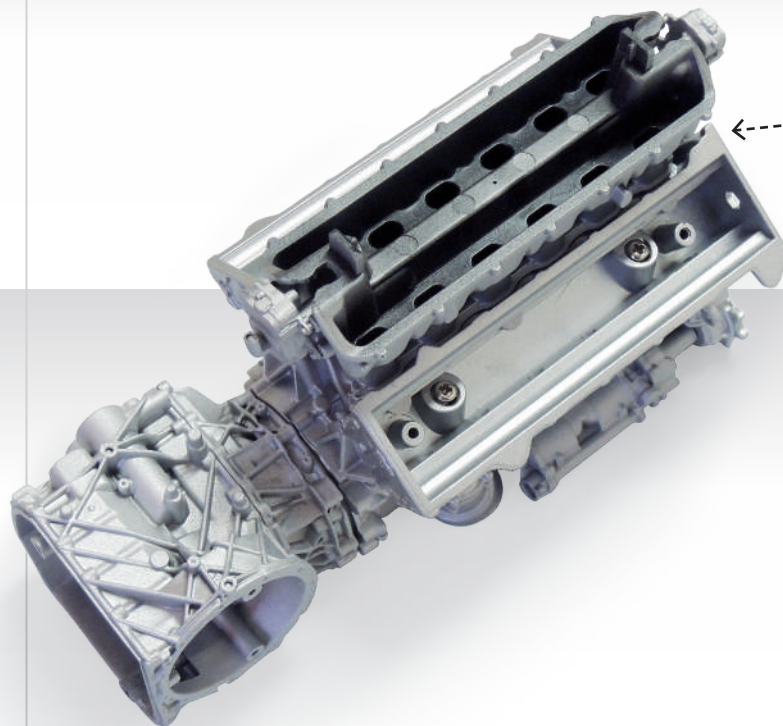
## STEP 2

Fit gearbox (1) in a similar way. Join it to the clutch using the fitting pins, then firmly secure it in place using two type I screws (3).



## STAGE COMPLETE

The engine of your 1:8 scale two-seater is now complete with its transmission assembly. Carefully set aside the partly-assembled power unit for the next stage

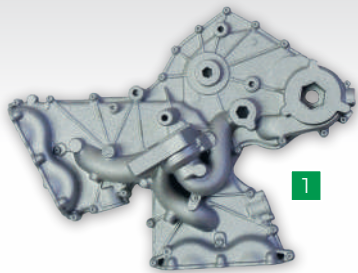


# STAGE 31 THE ENGINE SUPPORT ARMS

A NUMBER OF IMPORTANT COMPONENTS ARE MOUNTED TO THE REAR FACE OF THE ENGINE. THESE ARE NECESSARY TO POWER THE GENERATOR, THE WATER PUMP, AND TO CONNECT THE RADIATOR.

## PARTS LIST

NO.	PART	QUANTITY	MATERIAL
1	Timing cover	1	ABS
2	Protection panel	1	ABS
3	Support arms	2	ABS
4	Water pump	1	ABS
5	Belt	1	Rubber
6	Joint	1	ABS
7	Crankshaft pulley	1	ABS
8	Belt cover	1	ABS



1



2



3



4



5



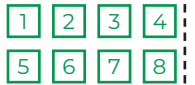
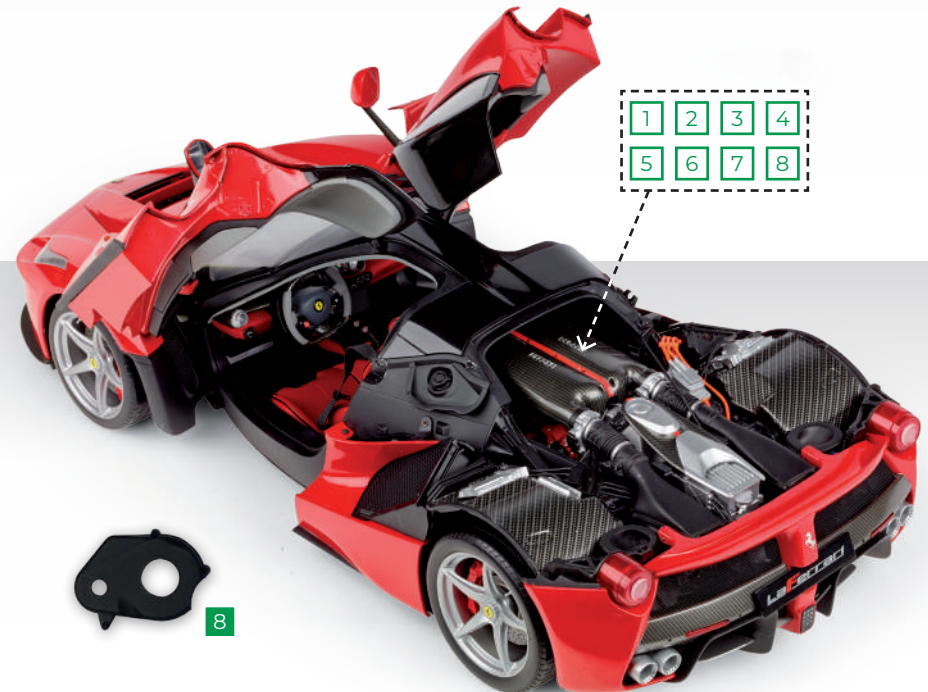
6



7

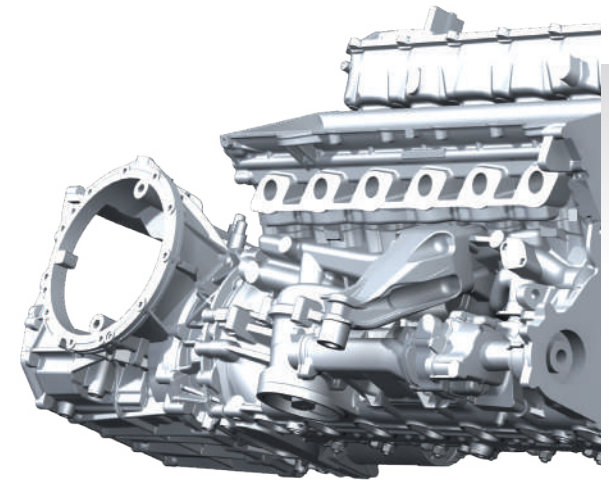
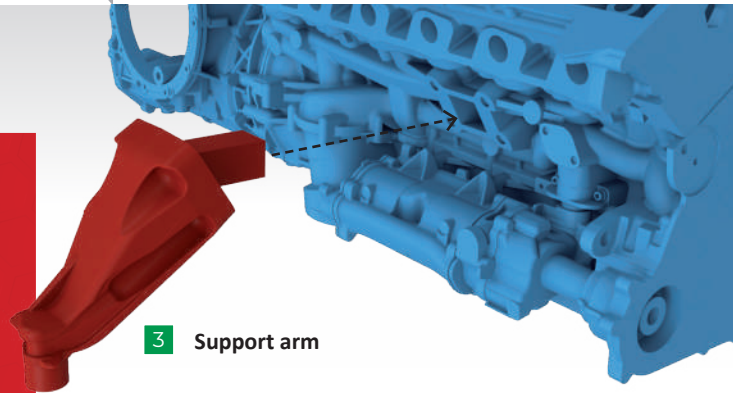


8



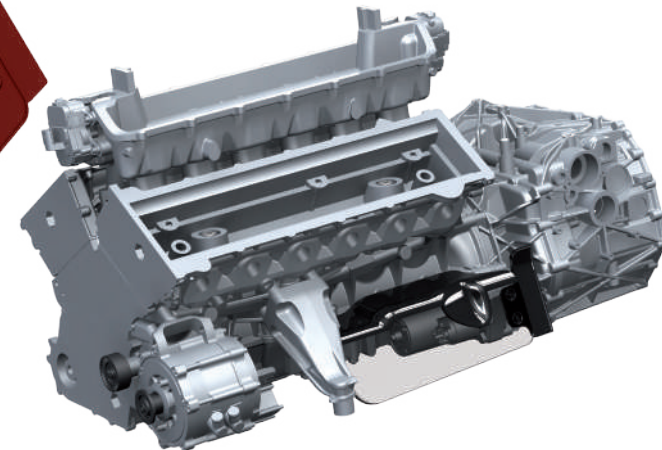
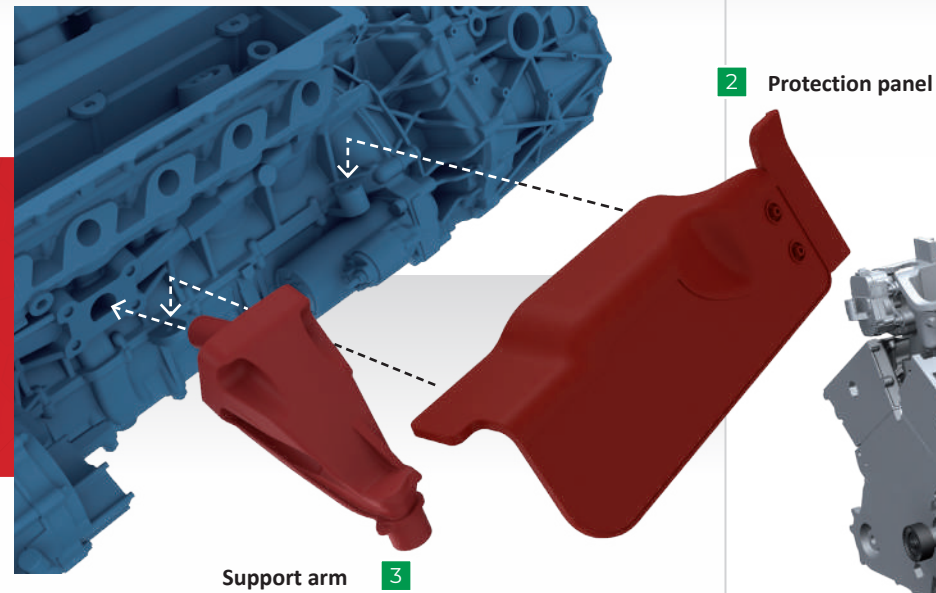
## STEP 1

Fit the square pin of the support arm (3) onto the left side of the engine. The parts are designed to fit together firmly, but you can use glue if needed.



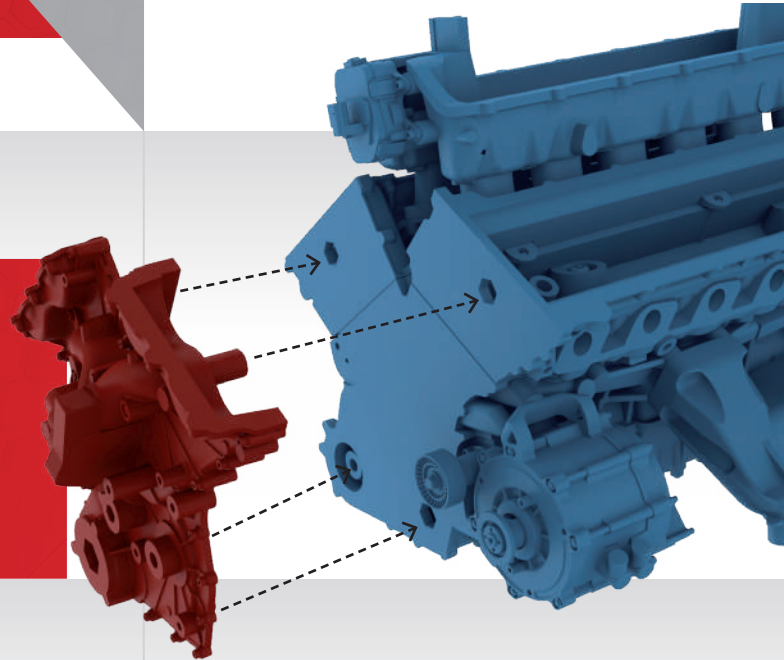
## STEP 2

On the right side of the engine, fit the protection panel (2) followed by the other support arm (3) with the round fixing pin.

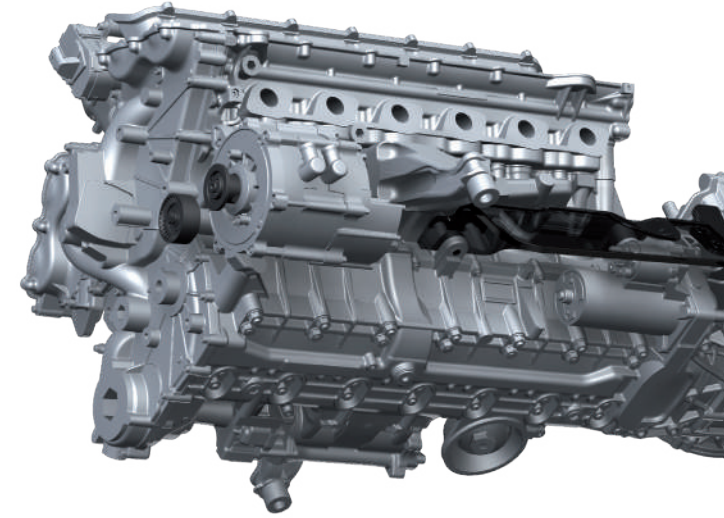


### STEP 3

Now mount the timing cover (1) onto the rear face of the engine using the four press-fit pins.

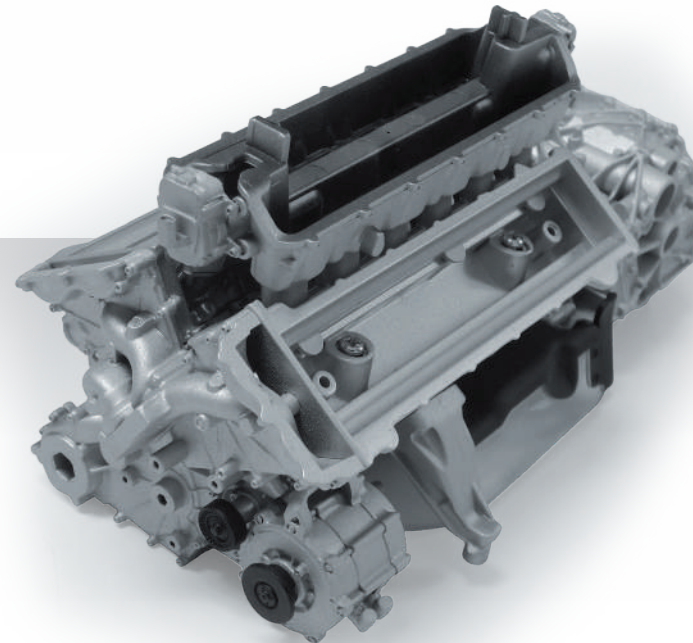


1 Timing cover



### STAGE COMPLETE

The engine of your 1:8 scale LaFerrari is now complete with the timing cover, the support arms and the protection panel. Set the engine aside safely so you can continue working on it during the next stage. Store any unused parts until they are needed later.

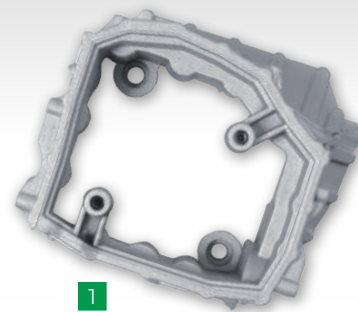


# STAGE 32 THE TRANSMISSION

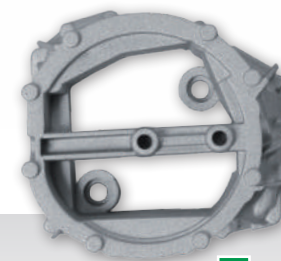
FOR THE VEHICLE TO HARNESS ALL THE POWER GENERATED BY THE ENGINE, THE TRANSMISSION (A MECHANICAL ASSEMBLY MADE UP OF MANY COMPONENTS) MUST BE VERY ROBUST.

## PARTS LIST

NO.	PART	QUANTITY	MATERIAL
1	Transmission (A)	1	ABS
2	Transmission (B)	1	ABS
3	Differential cover	1	ABS
4	Screws type I (silver)	4	Metal



1



2



4

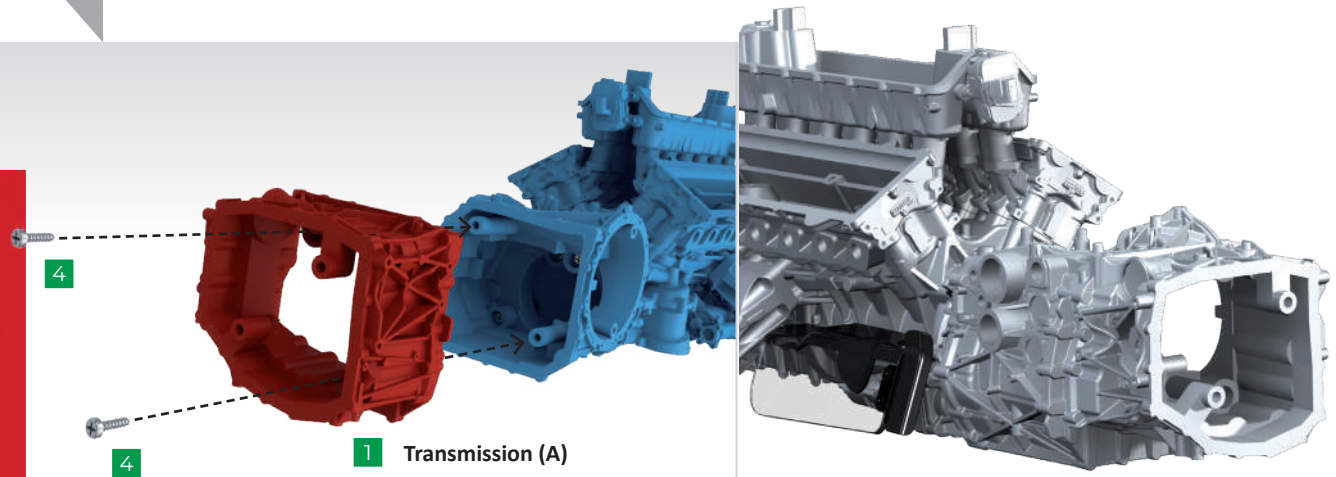


3



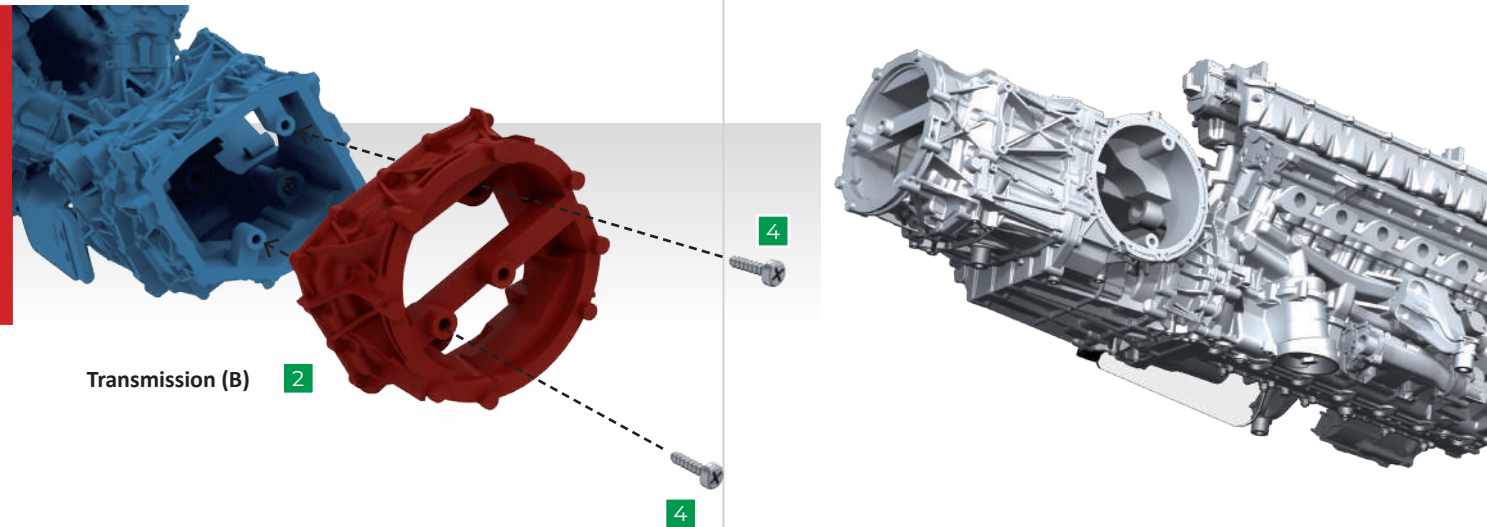
## STEP 1

Mount part A of the transmission (1) onto the gearbox. Orient it as shown in the photo then secure using two type I screws (4).



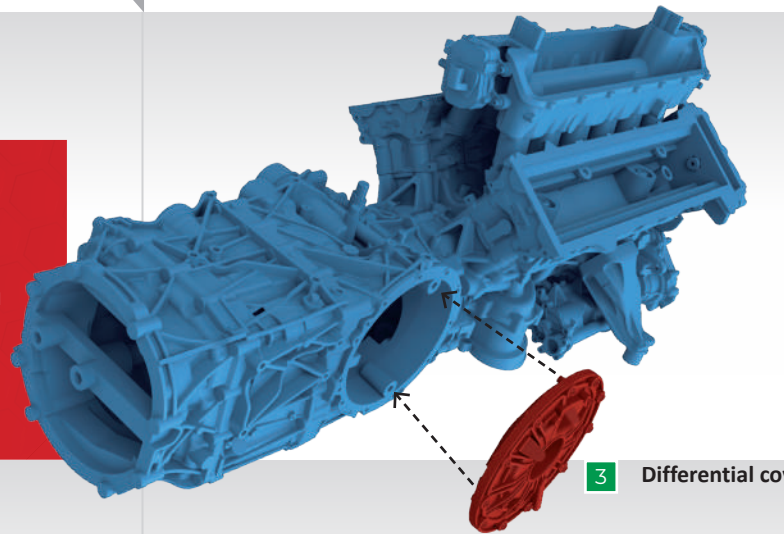
## STEP 2

Do the same to fit part B of the transmission (2) onto part A, securing it in place using two type I screws (4).

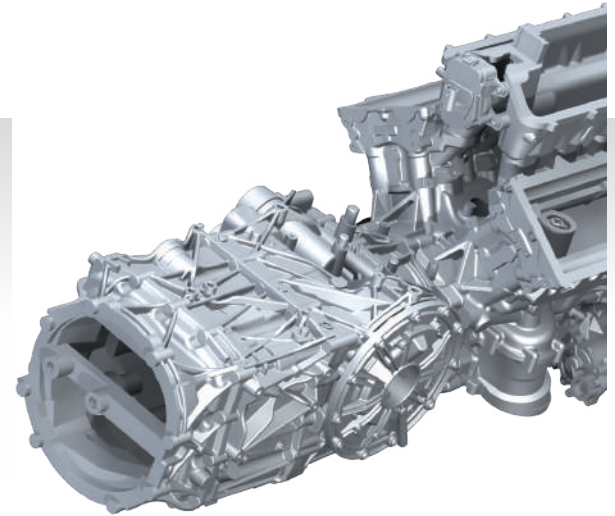


## STEP 3

Press-fit the differential cover (3) in place as shown. If needed, you can add a drop of super glue.



3 Differential cover



## STAGE COMPLETE

The transmission assembly now features new added components. Store all parts of your 1:8 scale LaFerrari away safely until they are needed later.

