

1955 BRITISH GRAND PRIX WINNER

MERCEDES-BENZ W 196 R



Pack 09

BUILD INSTRUCTIONS

STAGE 61: MOUNTING THE COCKPIT FRAME

STAGE 62: CONNECTING THE STEERING COLUMN
AND FITTING THE SEAT

STAGE 63: ASSEMBLING AND FITTING THE PEDALS

STAGE 64: ADDING DETAILS TO THE FUEL TANK

STAGE 65: ASSEMBLING THE FUEL TANK

STAGE 66: MOUNTING THE FUEL TANK

STAGE 67: ASSEMBLING THE OIL TANK

STAGE 68: MOUNTING THE OIL TANK

"MERCEDES-BENZ" and  are the intellectual property of Mercedes-Benz Group AG.
They are used by Agora Models under license.

AGORA
MODELS®

Advice from the experts

This set of step-by-step instructions will enable you to complete the build of your 1:8-scale Mercedes-Benz W 196 R. The only tool you will need is a screwdriver. Most of the steps involve simply screwing or fitting parts together, and the correct screws needed for each step are clearly labelled on the instructional images.

Please note the following:

- The number designated by a # refers to the number given on the parts supplied in each pack.
- Where left and right elements of the same part are supplied, these are listed as (L) and (R).
- Close-up details of steps are framed in yellow.
- You will not be using every part you receive in your shipment in that build section. Keep any parts that are not used aside for use in a later sequence.
- You will receive extra screws with each shipment in case any screws are lost or broken.
- Screws with codes ending in the letter M drive into metal; those ending in the letter P drive into plastic.
- With M screws, first drive the screw in half-way. Then unscrew it to release the shavings created as the screw cuts its thread. Finally, drive the screw fully into the socket. M screws should be tightened so the head makes firm contact with the fixing surface.
- With P screws, do not over-tighten them as they can damage the socket.
- When working with the pre-finished exterior surfaces of the model, work on a soft cloth. This will protect against scratching the paintwork.
- When plugging wires in, ensure the power is switched off.
- Tweezers can be used to fit the PVC cables. In this case, grip carefully around 5mm from the end of the cable. If the end of the cable is too narrow to fit on to the pin, cautiously insert a cocktail stick, being wary not to split the cable.
- Some smaller plastic parts are attached to sprues. You can remove these by hand, or by careful use of a cutting implement such as a scalpel.
- When assembling the wheels of your model, you can choose between regular and easy assemblies. Follow our instructions carefully.

The images in this manual may differ slightly from those supplied in your pack. These images differ in appearance only and will not affect the process of the build.

WARNING: Some parts are assembled using magnets. These magnets can cause serious injury if they are swallowed. Keep away from children. If you suspect a magnet has been swallowed, seek medical help straight away.

Advice from the experts



When you see this symbol on one of the images in these instructions, we have provided a Top Tip to help you with your build. Check back on this page for the corresponding tip!

You can find more expert tips and advice for building the Mercedes W196R on our forum. Go to <https://community.agoramodels.com/forum/198-mercedes-w196r/>

Page 8 – E

Don't over-tighten screw **AP**. Part **63G** should be moveable with a little friction.

Page 13 – G

You may wish to fit parts **68A** and **68B** before mounting the fuel tank on the model. See page 17, Step A, for instructions on fitting these parts.

Page 18 – D

Fit part **68E** (third image) before mounting the oil tank on the model.

Page 18 – E

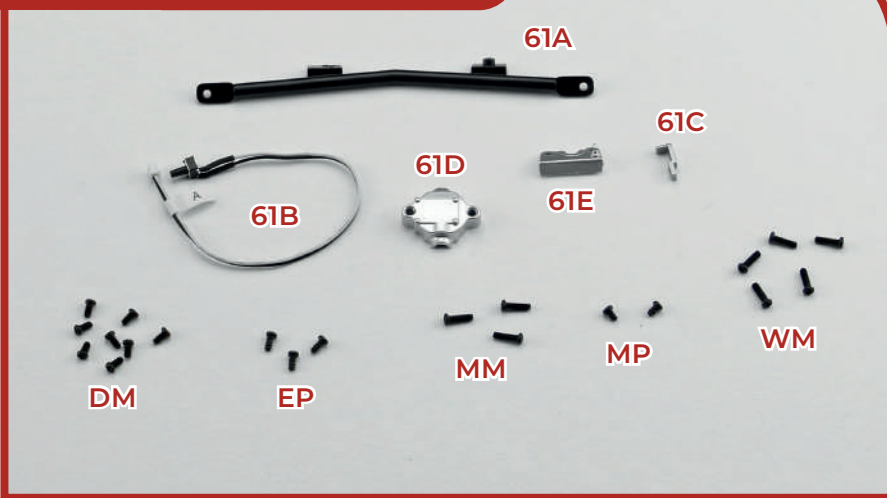
Pipes **68J** are 390 mm long, pipes **68H** are 300 mm long (approximately).

Page 18 – F

The tubes **68H** running from the oil tank down the firewall to the left side of the chassis could do with a couple of bits of tape to make things look neat. Try using a little black masking tape.

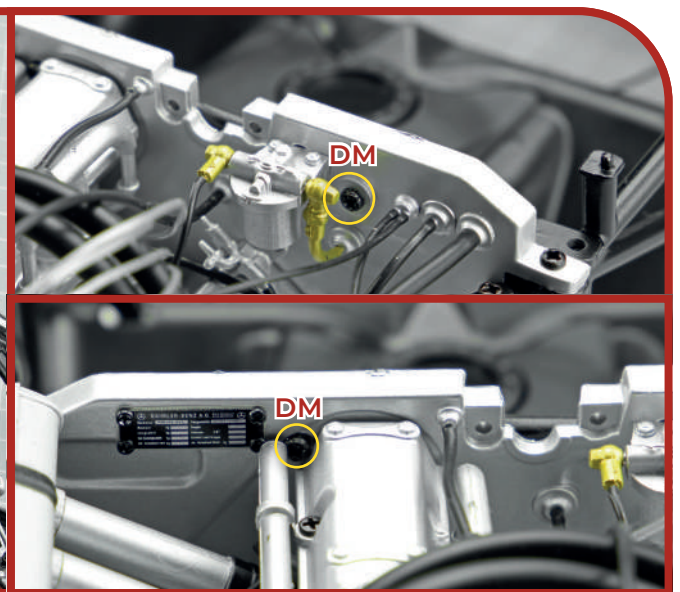
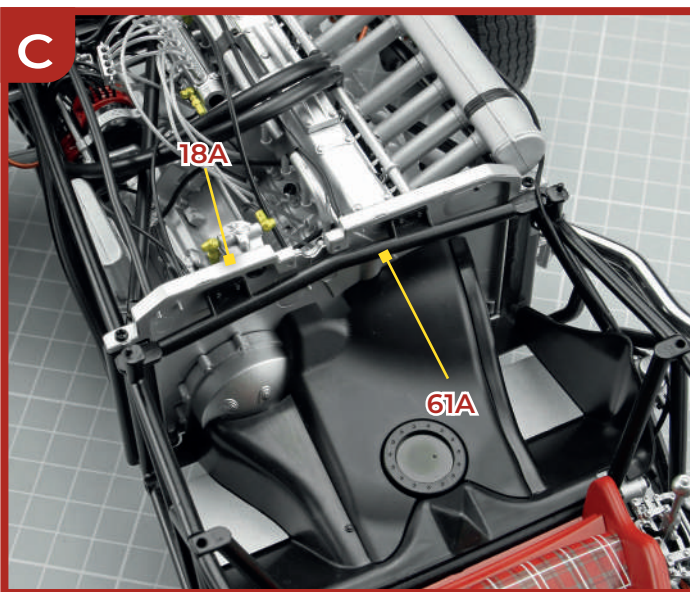
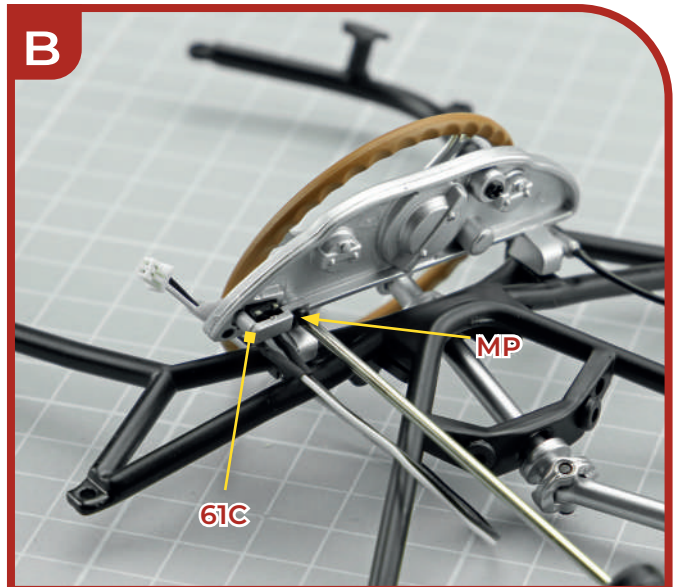
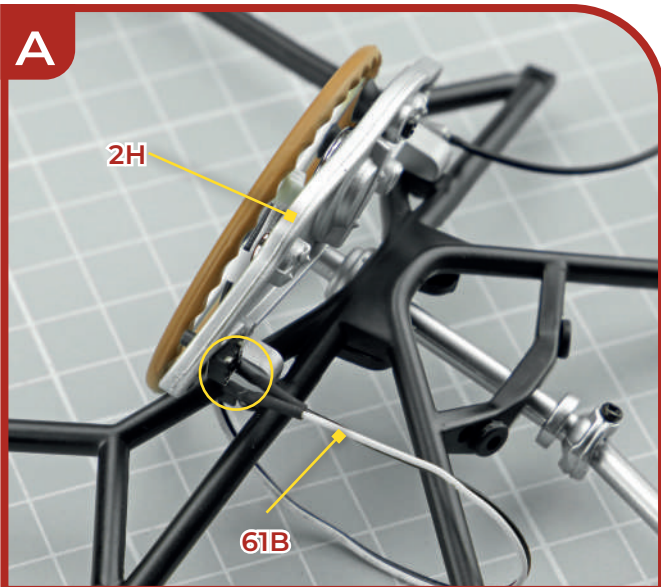
Stage 61: Mounting the Cockpit Frame

6-61# PARTS LIST



- 61A Firewall bar
- 61B Wire
- 61C Wire bracket
- 61D Steering box cover
- 61E Steering column bracket

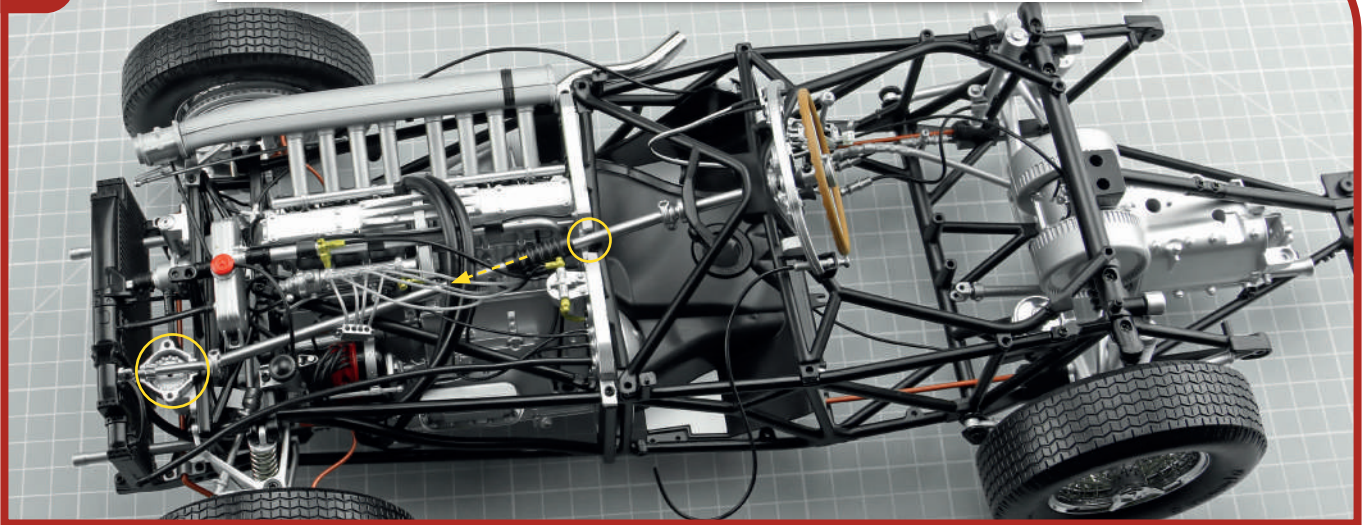
- EP 3 screws (2 x 4 mm)
- MP 2 screws (2 x 3 mm)
- DM 8 screws (2 x 4 mm)
- MM 3 screws (2 x 7 mm)
- WM 5 screws (2 x 6 mm)



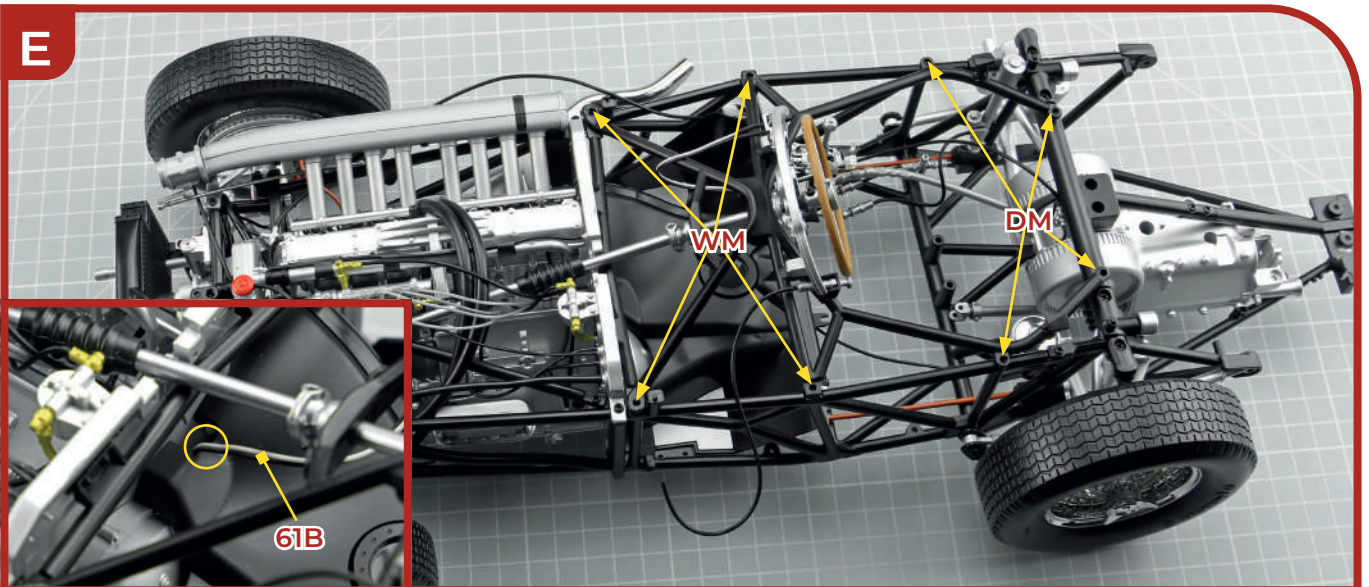
Stage 61: Mounting the Cockpit Frame

D

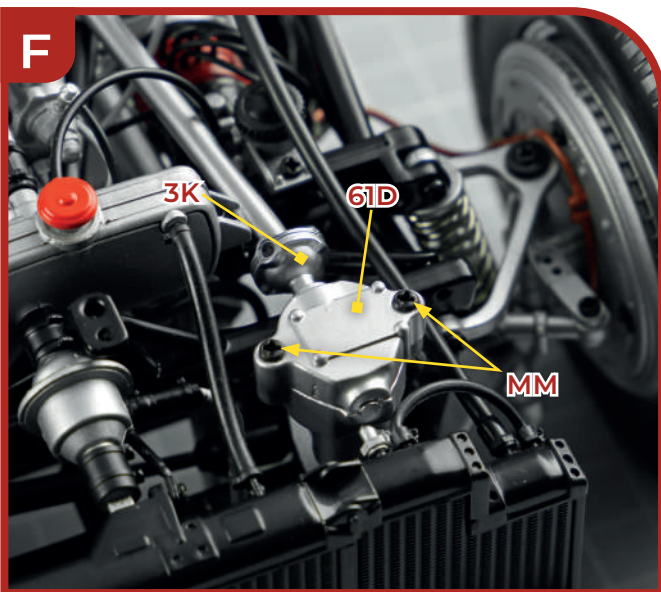
Mount the cockpit frame and the steering column onto the chassis.



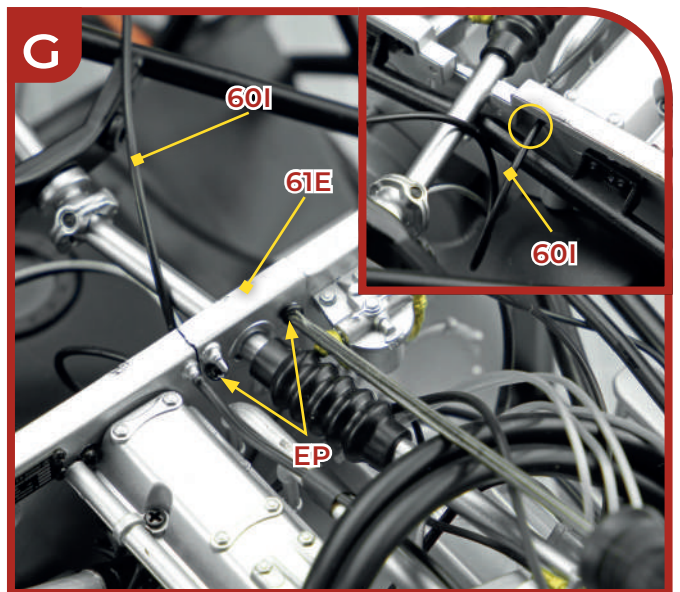
E



F

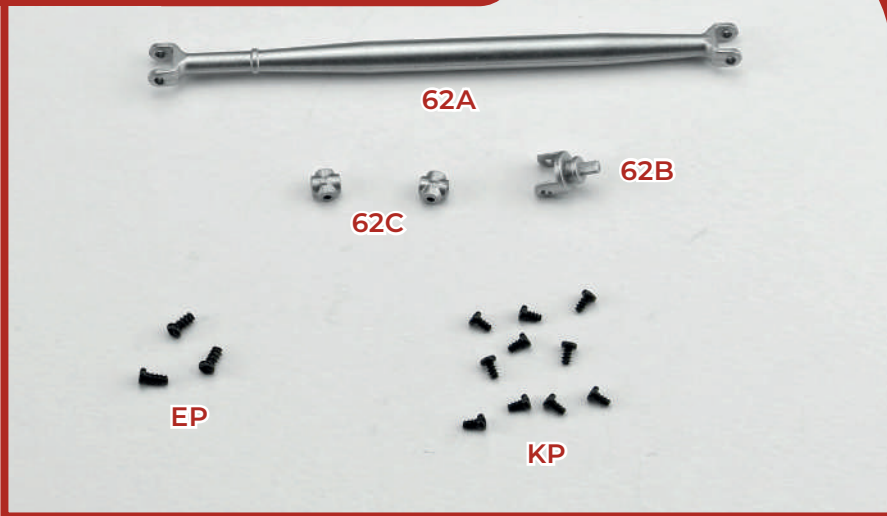


G

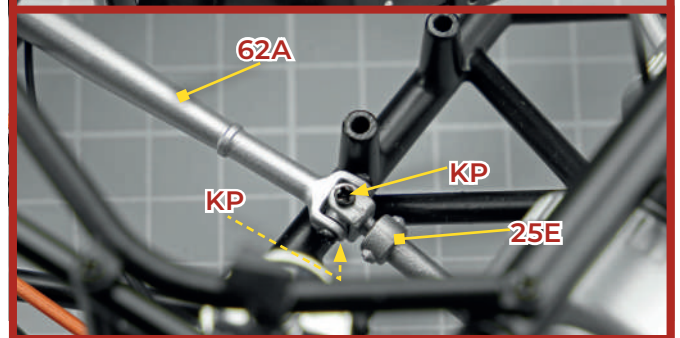
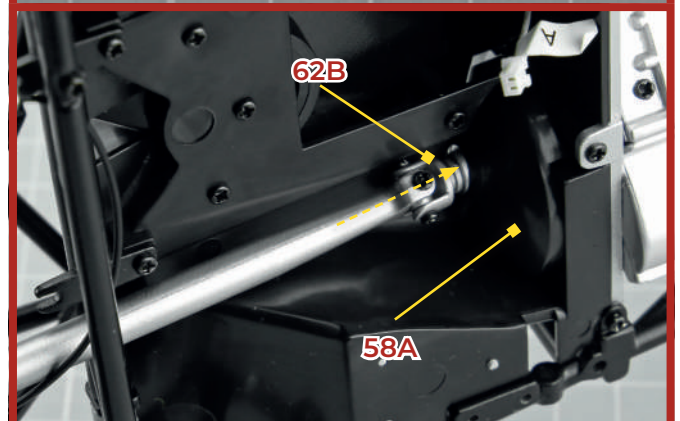
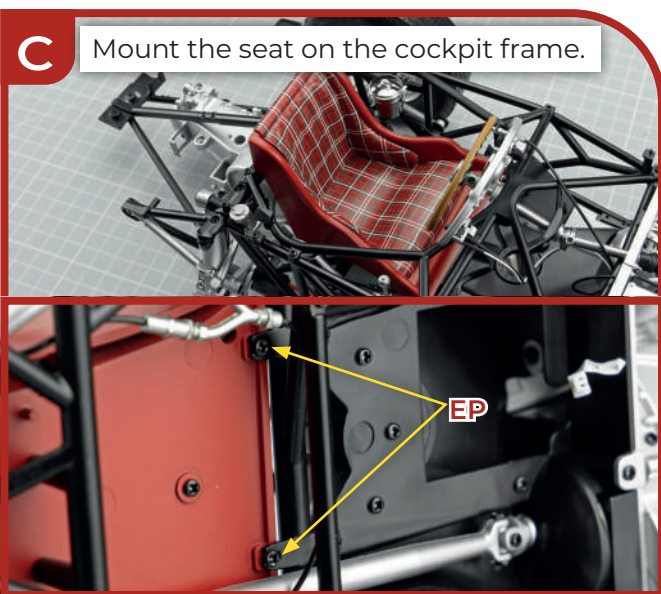
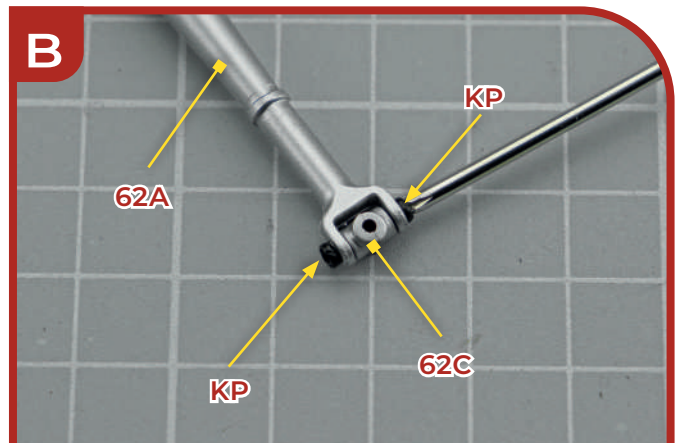
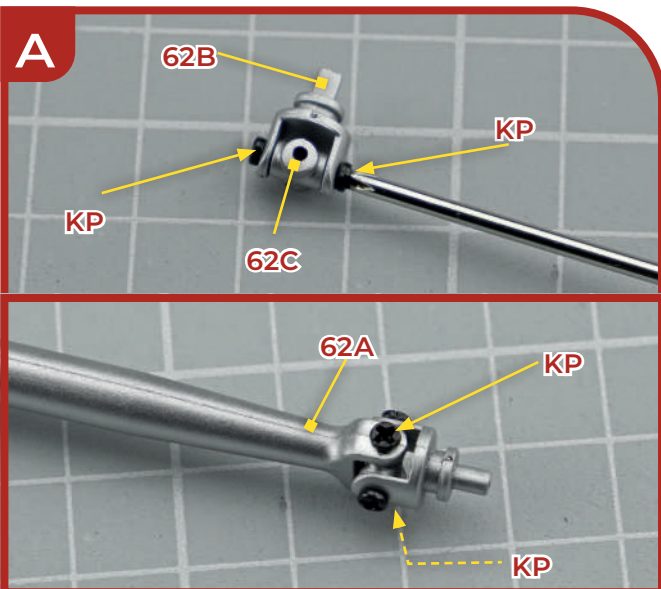


Stage 62: Connecting the Steering Column and Fitting the Seat

6-62# PARTS LIST

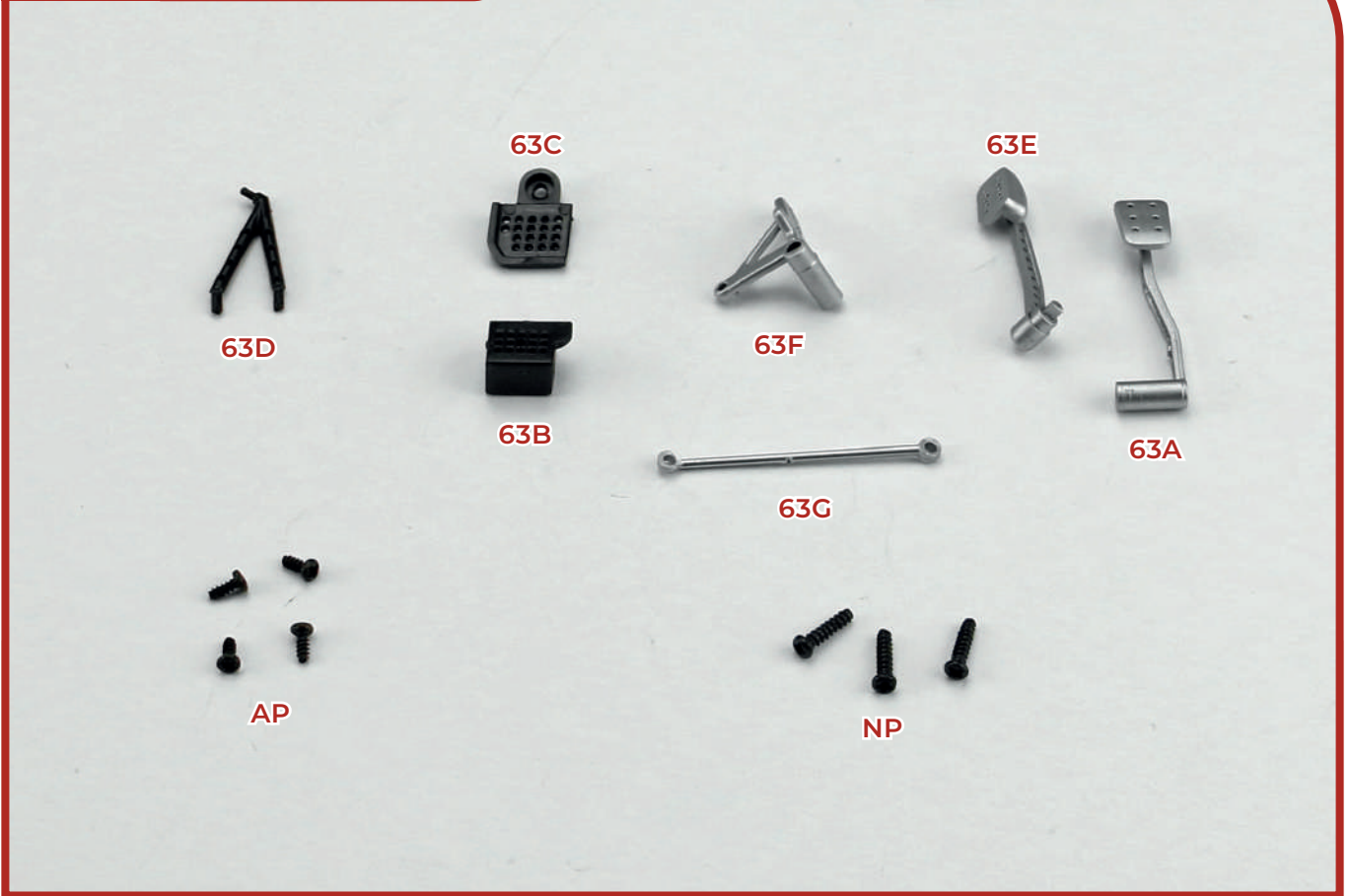


- 62A Shaft
- 62B Joint 1
- 62C Joints 2 (x2)
- EP 3 screws (2 x 4 mm)
- KP 10 screws (1.7 x 3 mm)

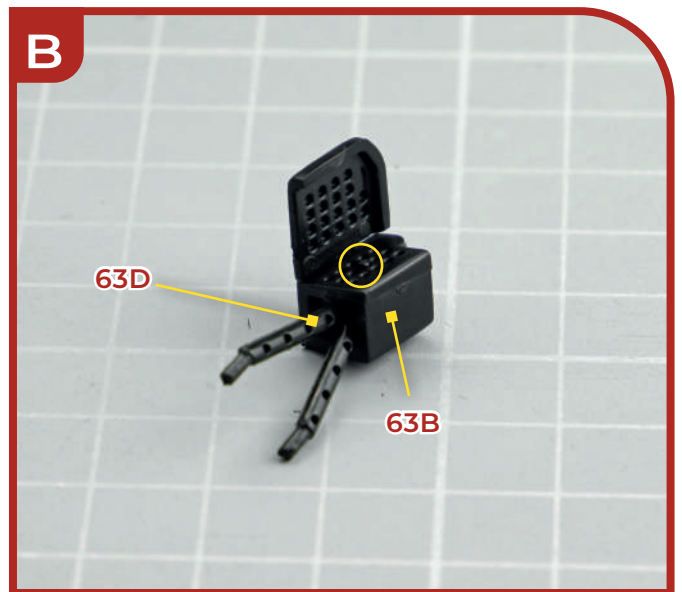
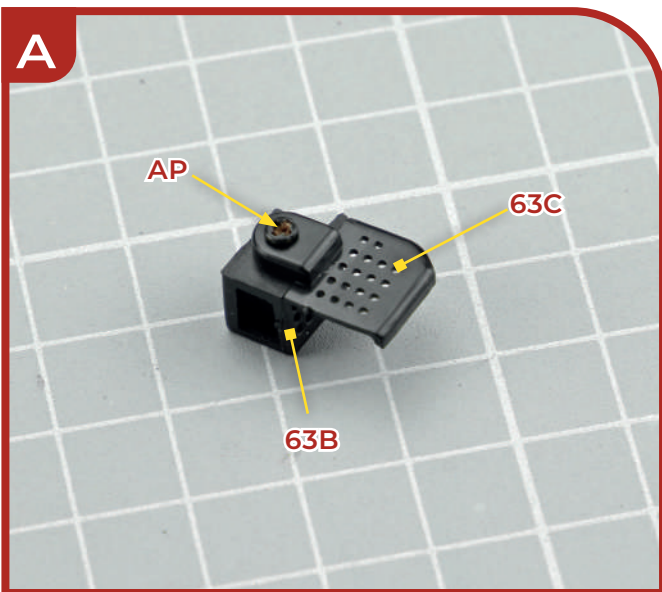


Stage 63: Assembling and Fitting the Pedals

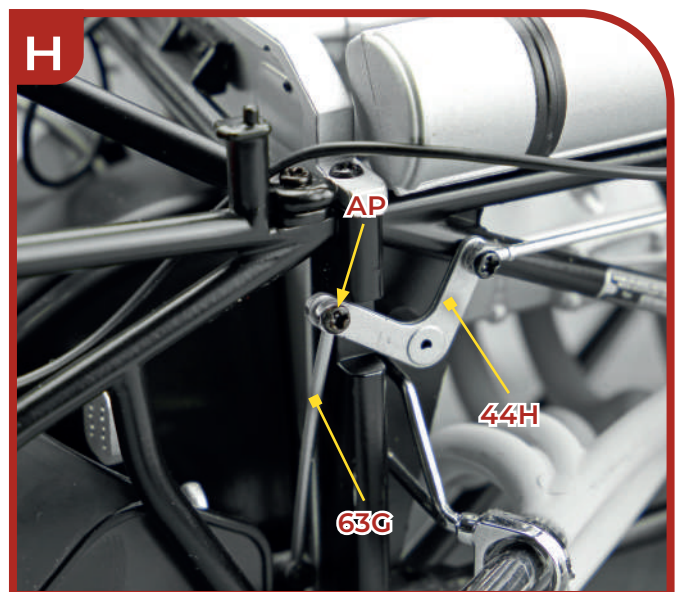
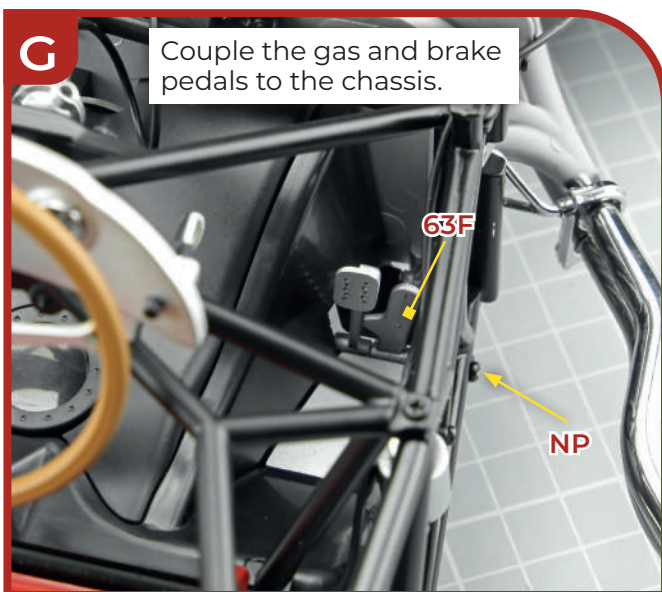
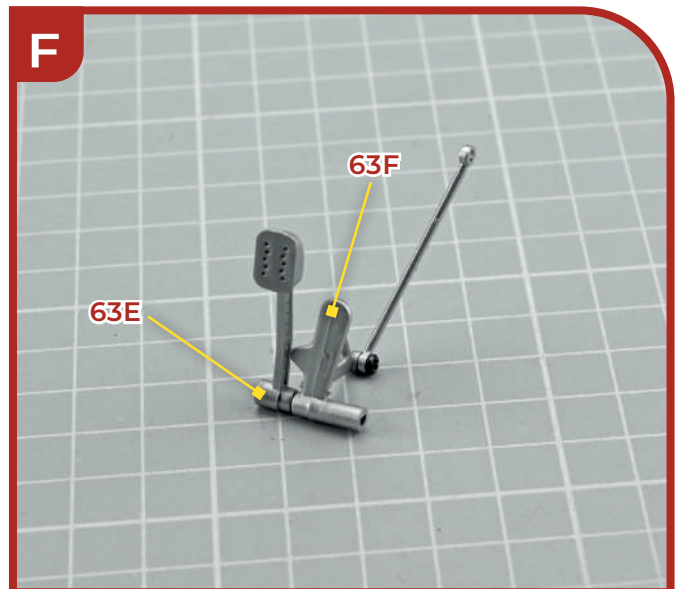
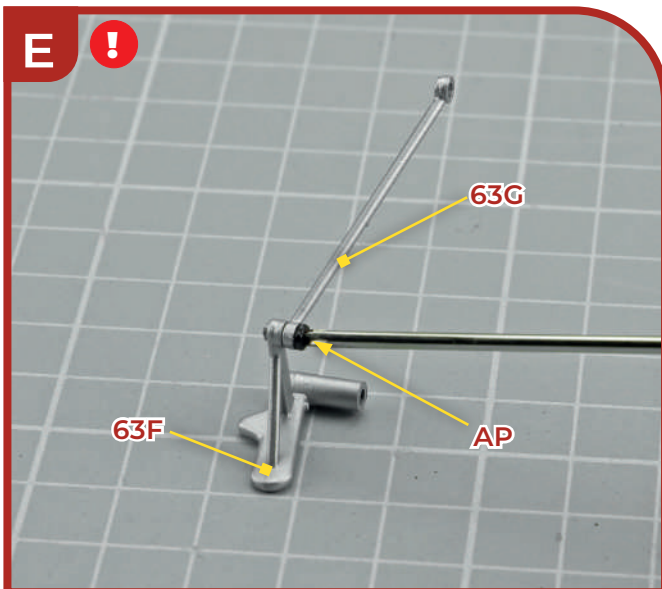
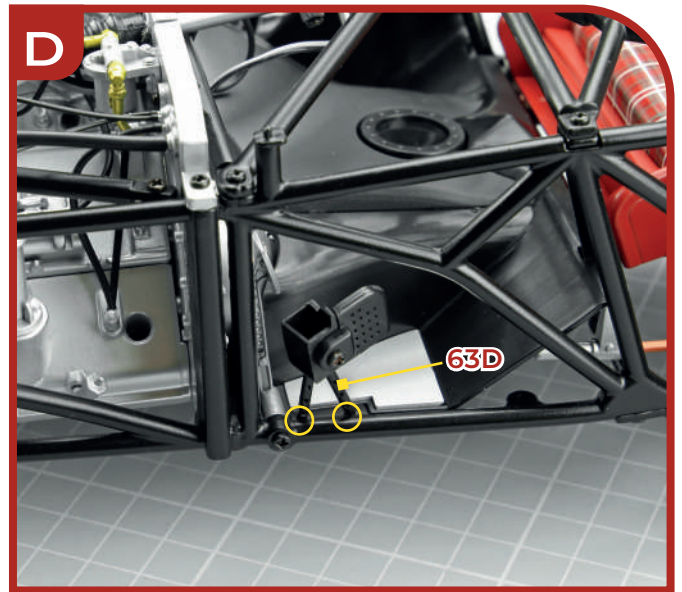
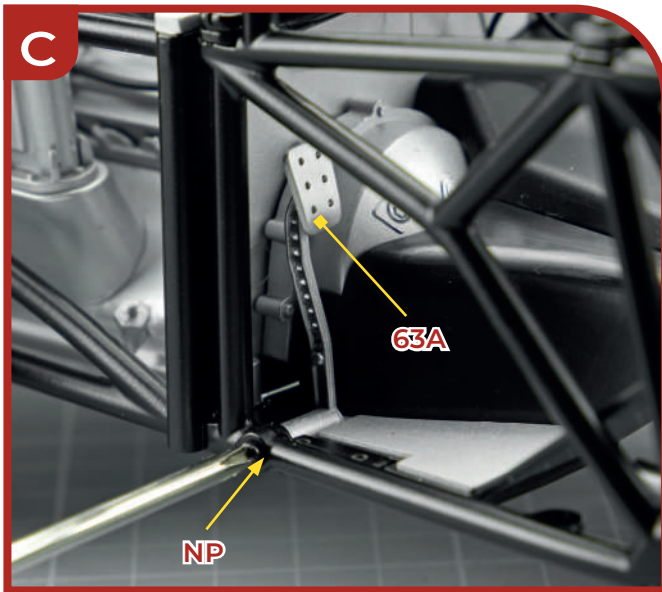
6-63# PARTS LIST



- | | | | | | |
|------------|-----------------|------------|-----------------|-----------|-----------------------|
| 63A | Clutch pedal | 63E | Brake pedal | AP | 4 screws (1.7 x 4 mm) |
| 63B | Footrest part A | 63F | Gas pedal | NP | 3 screws (2 x 8 mm) |
| 63C | Footrest part B | 63G | Gas pedal shaft | | |
| 63D | Footrest part C | | | | |



Stage 63: Assembling and Fitting the Pedals



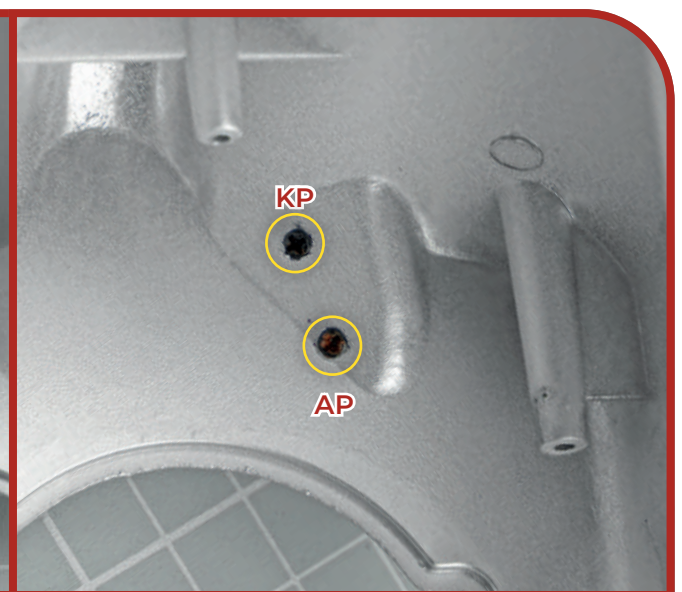
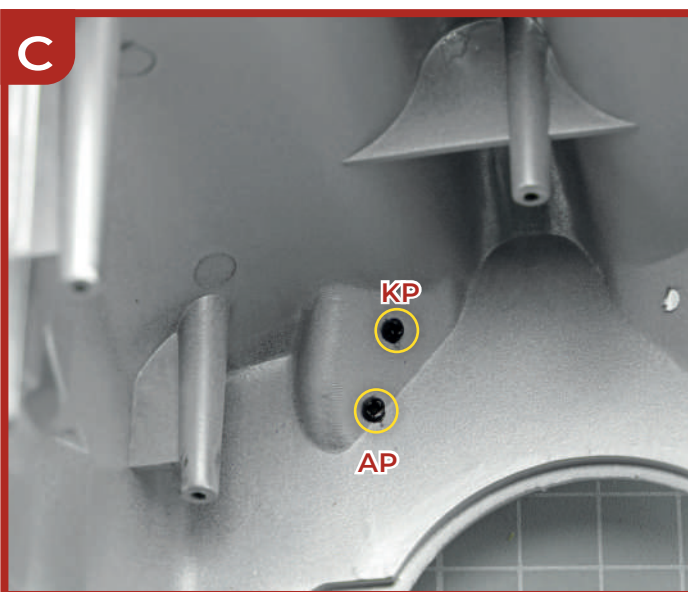
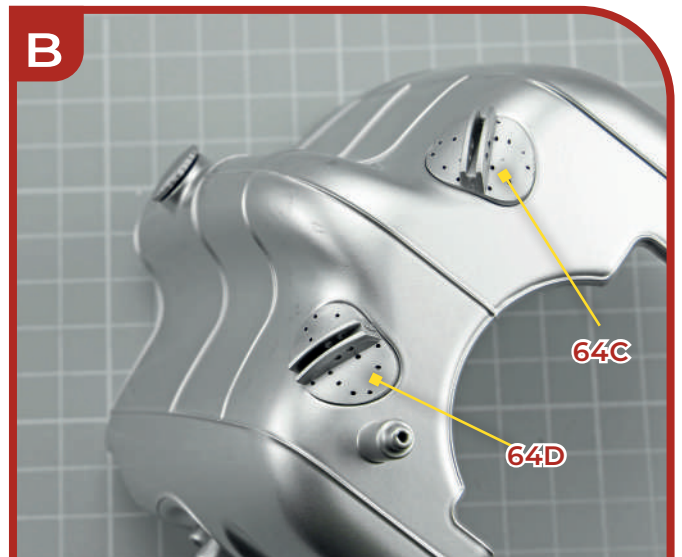
Stage 64: Adding Details to the Fuel Tank

6-64# PARTS LIST



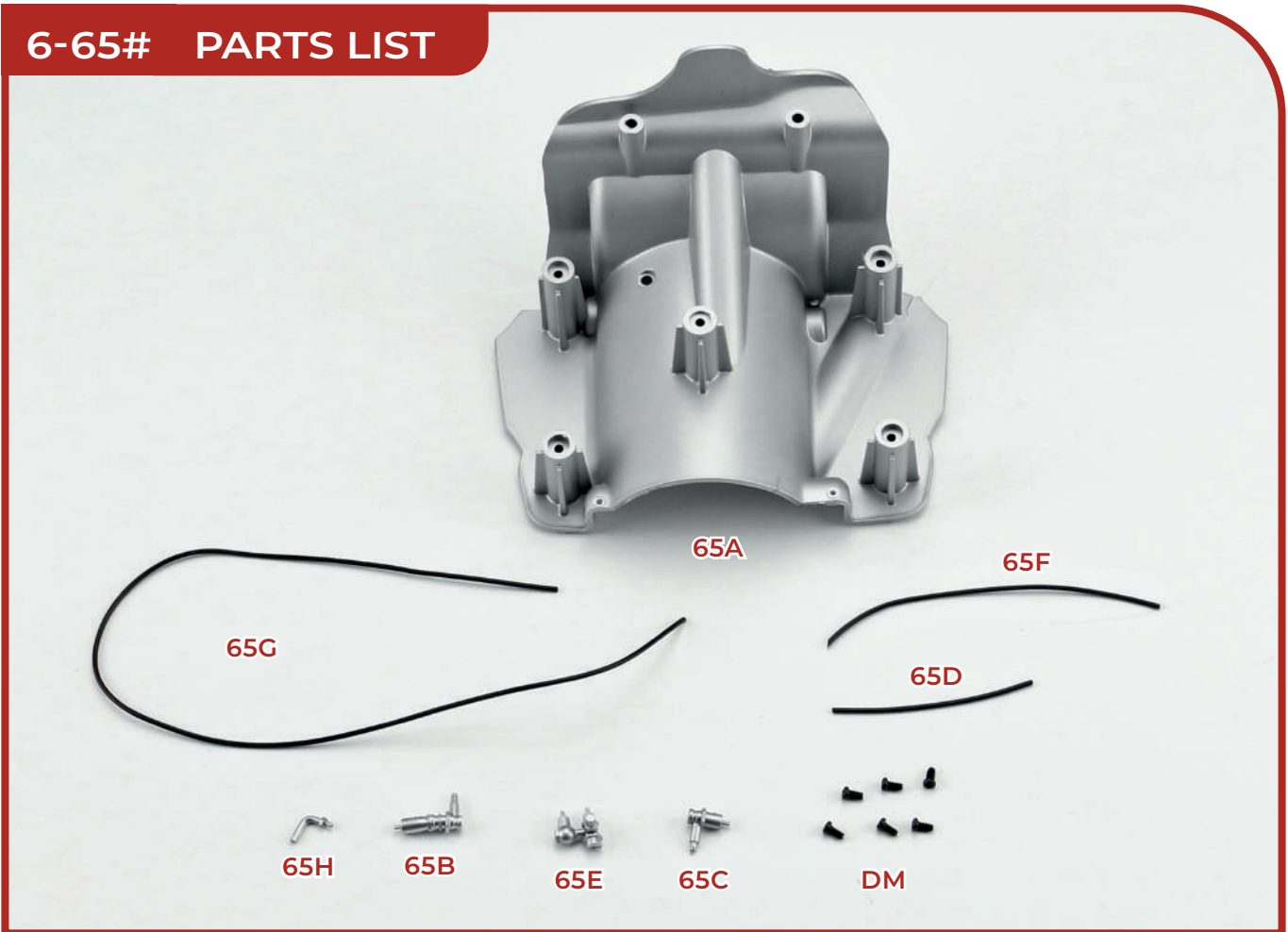
- 64A Fuel tank body
- 64B Cap
- 64C Fuel tank detail 1 (R)
- 64D Fuel tank detail 2 (L)

- AP 3 screws (1.7 x 4 mm)
- KP 3 screws (1.7 x 3 mm)

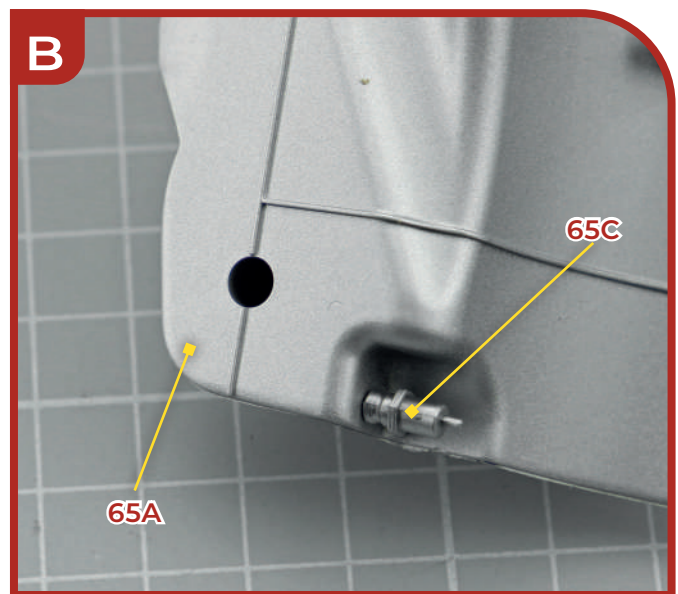


Stage 65: Assembling the Fuel Tank

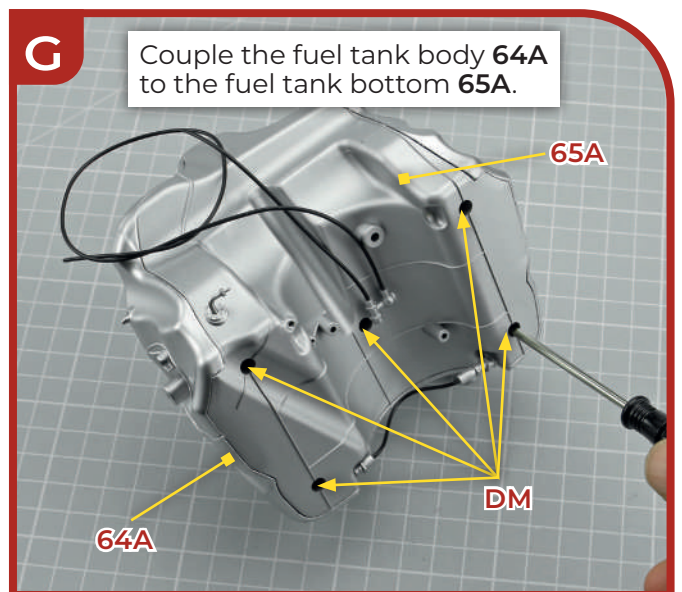
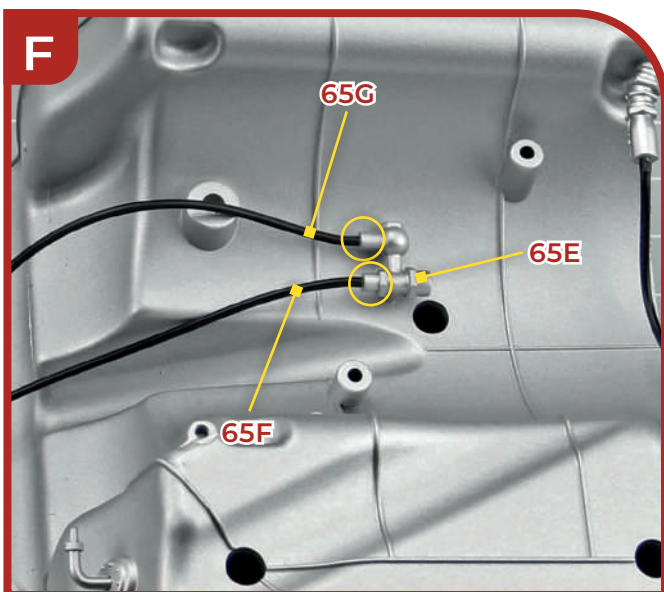
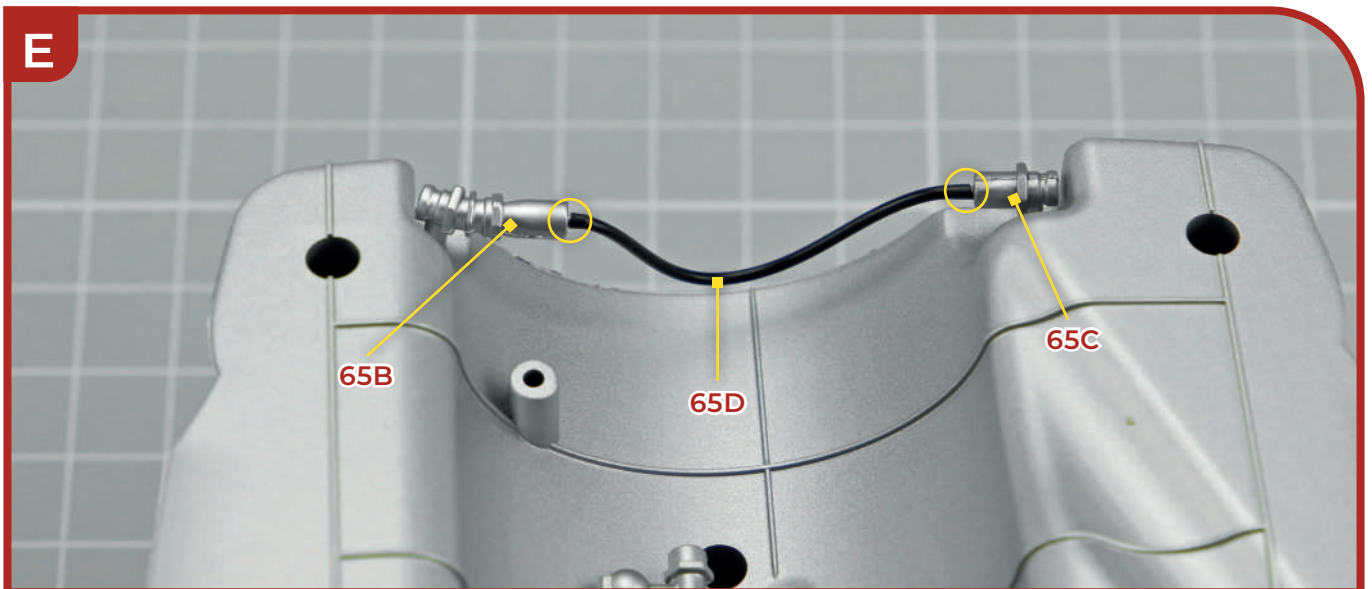
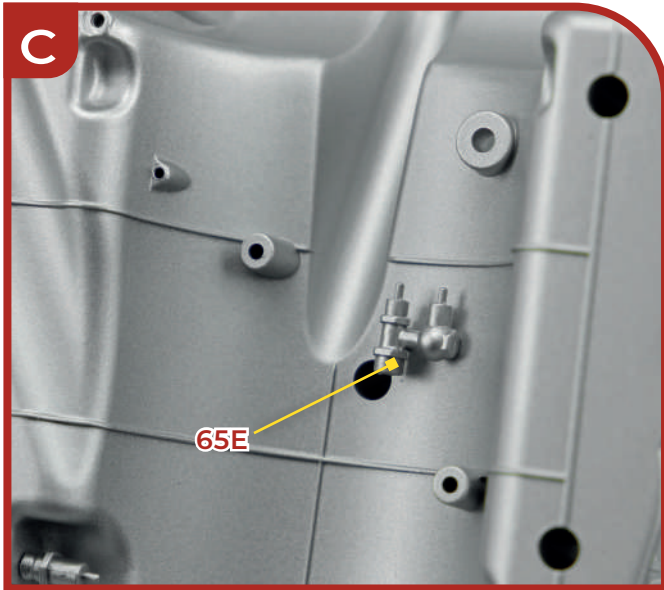
6-65# PARTS LIST



| | | | | | |
|------------|------------------|------------|-------------|-----------|---------------------|
| 65A | Fuel tank bottom | 65E | Detail 3 | DM | 6 screws (2 x 4 mm) |
| 65B | Detail 1 | 65F | Fuel line 6 | | |
| 65C | Detail 2 | 65G | Fuel line 7 | | |
| 65D | Fuel line 5 | 65H | Detail 4 | | |

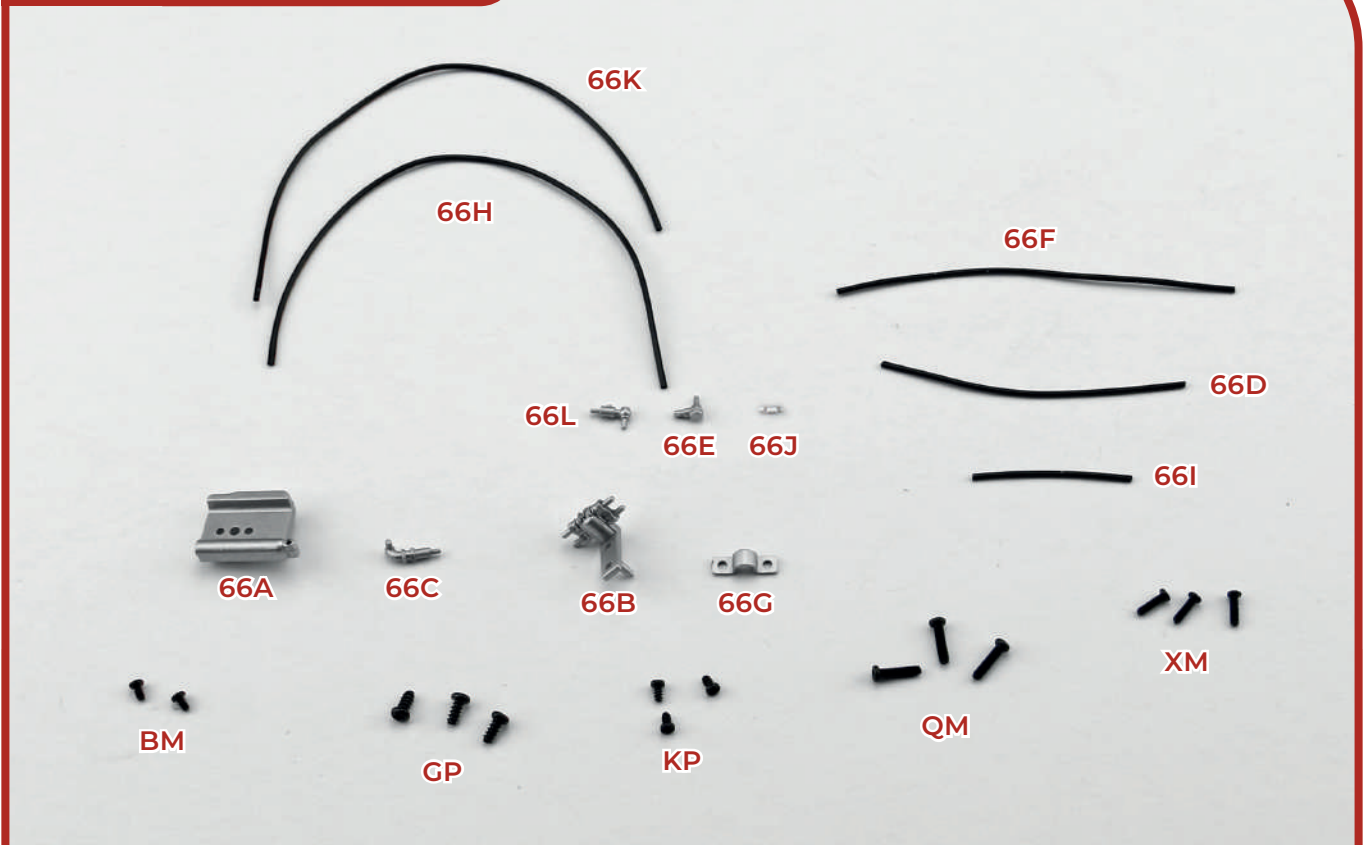


Stage 65: Assembling the Fuel Tank

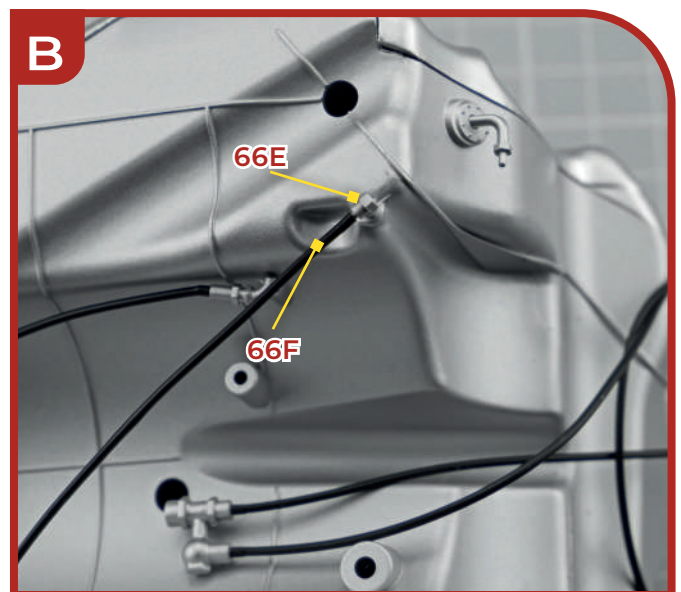
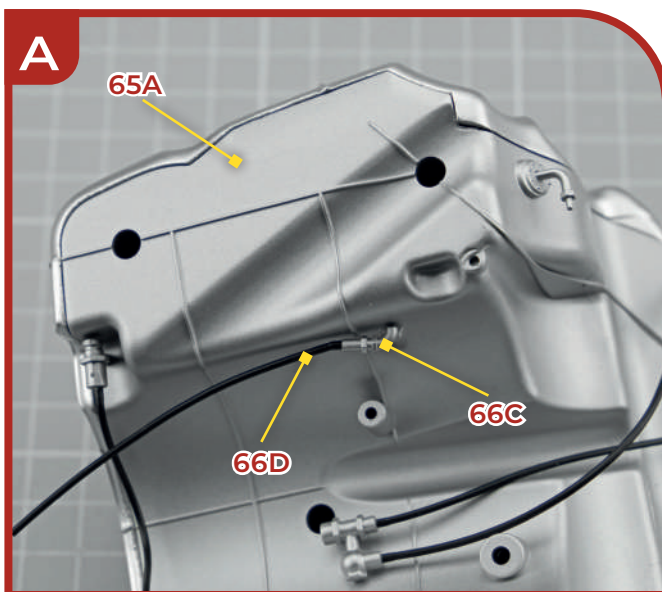


Stage 66: Mounting the Fuel Tank

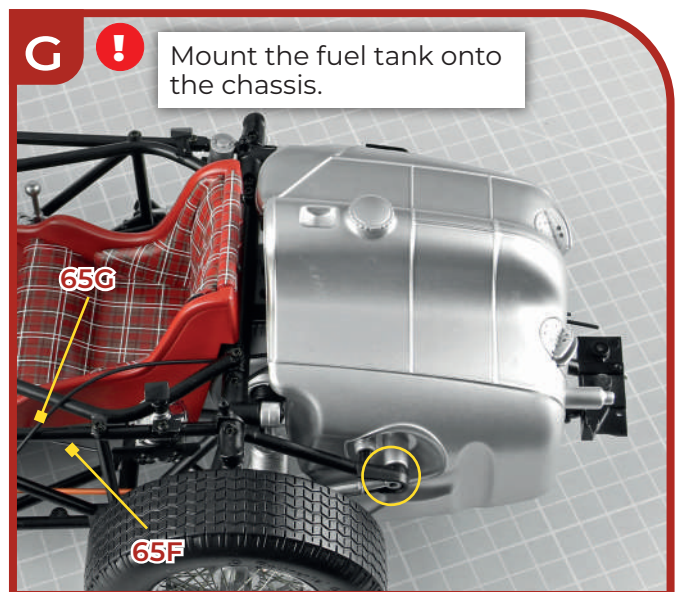
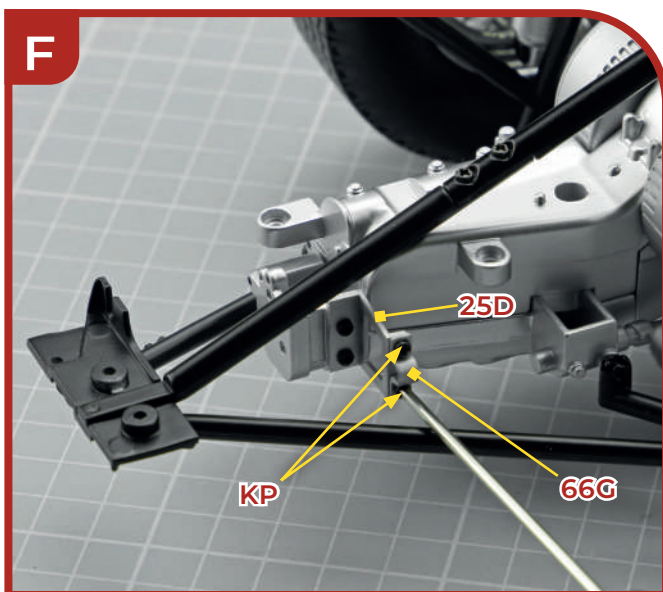
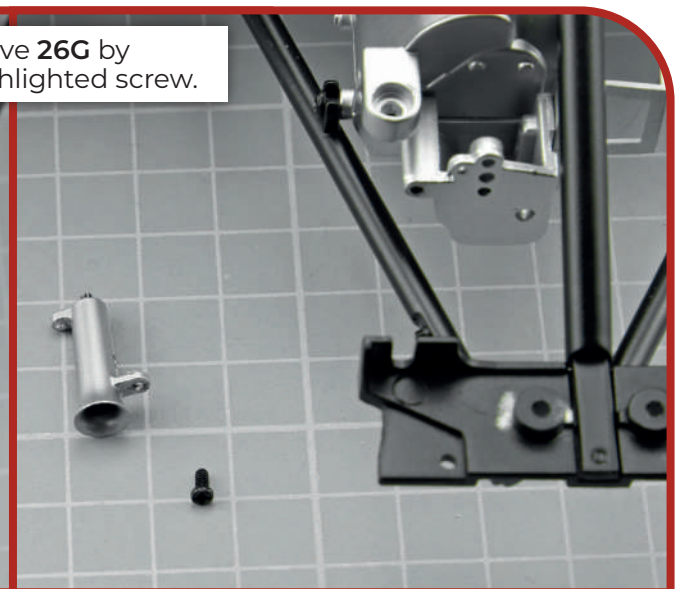
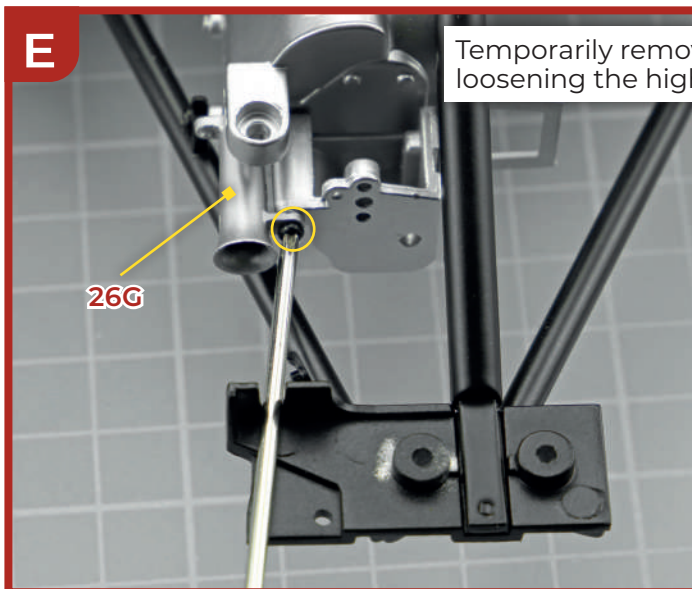
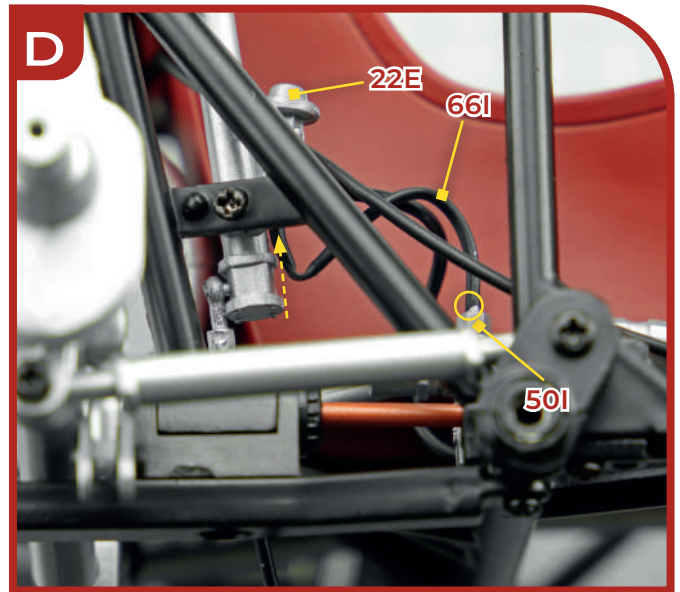
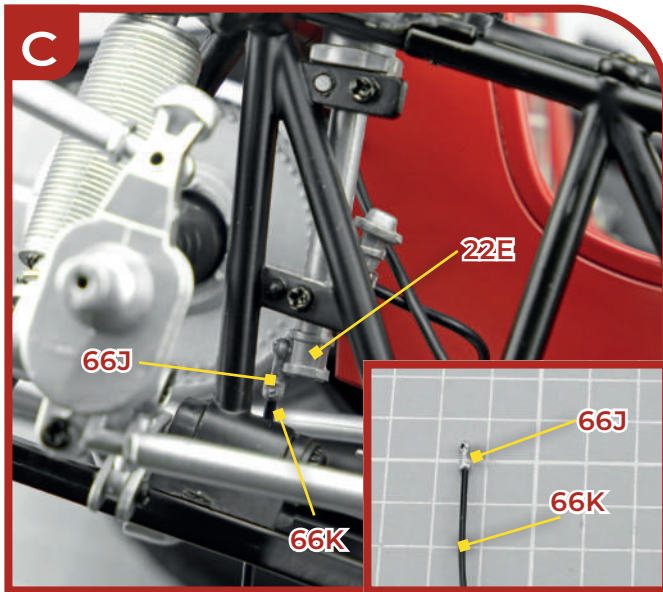
6-66# PARTS LIST



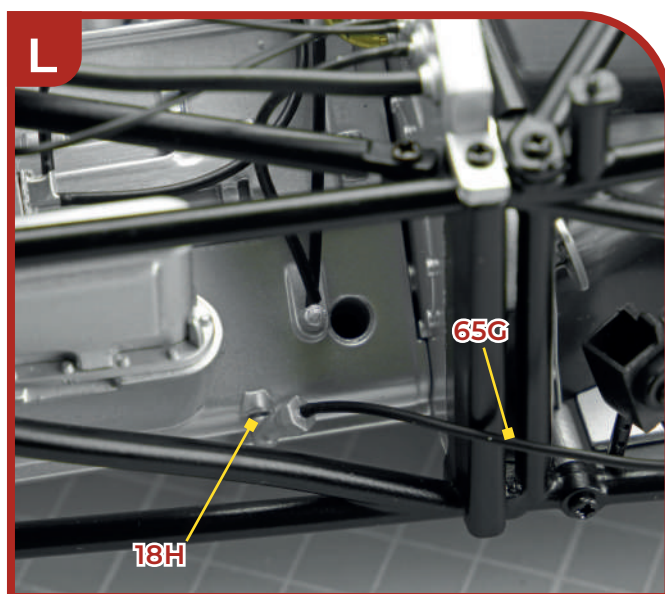
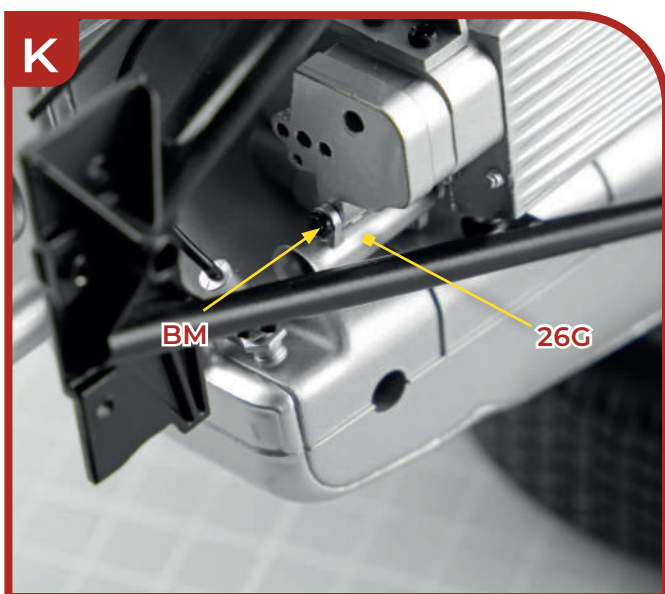
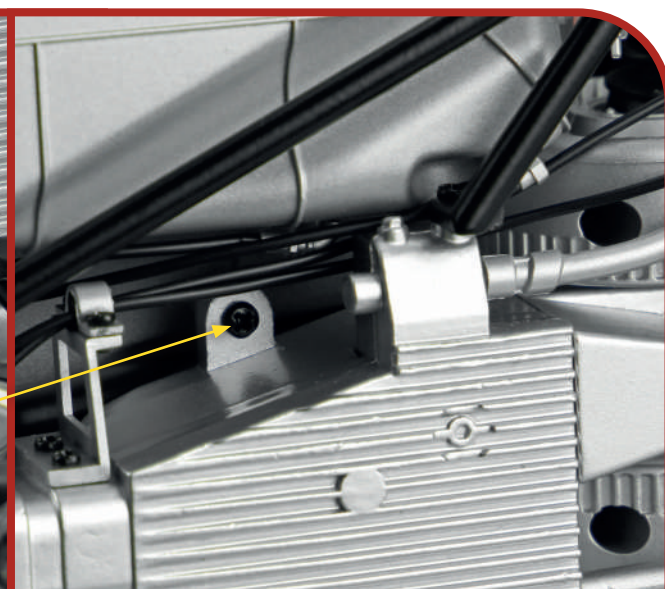
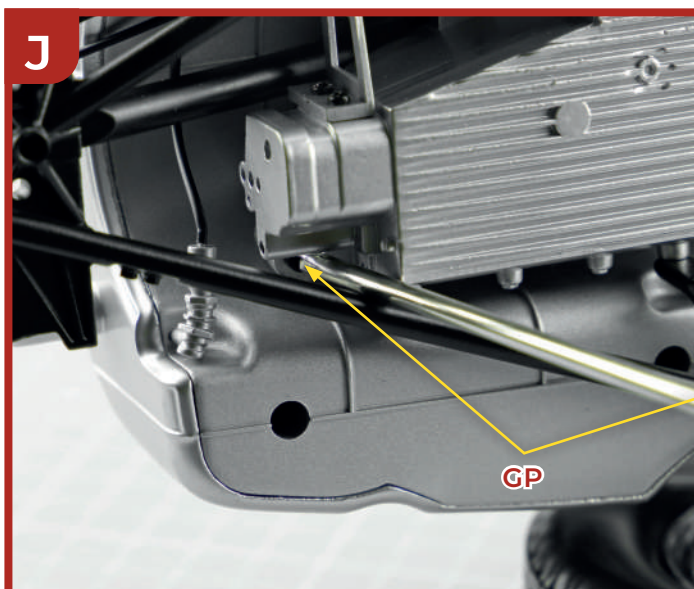
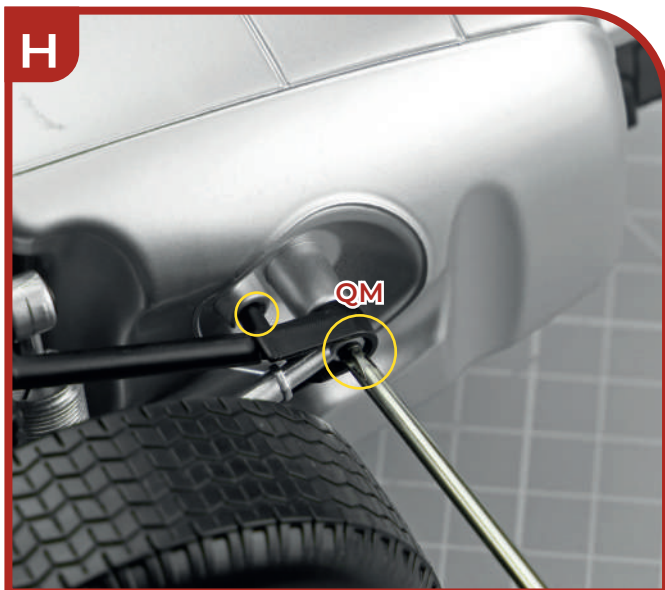
| | | | | | |
|------------|--------------------|------------|--------------|-----------|-----------------------|
| 66A | Gearbox rear cover | 66G | Bracket | GP | 3 screws (2.3 x 5 mm) |
| 66B | Fuel distributor | 66H | Fuel line 10 | KP | 3 screws (1.7 x 3 mm) |
| 66C | Detail 1 | 66I | Fuel line 11 | BM | 2 screws (1.7 x 3 mm) |
| 66D | Fuel line 8 | 66J | Detail 3 | QM | 3 screws (2 x 8 mm) |
| 66E | Detail 2 | 66K | Fuel line 12 | XM | 3 screws (1.5 x 6 mm) |
| 66F | Fuel line 9 | | | | |



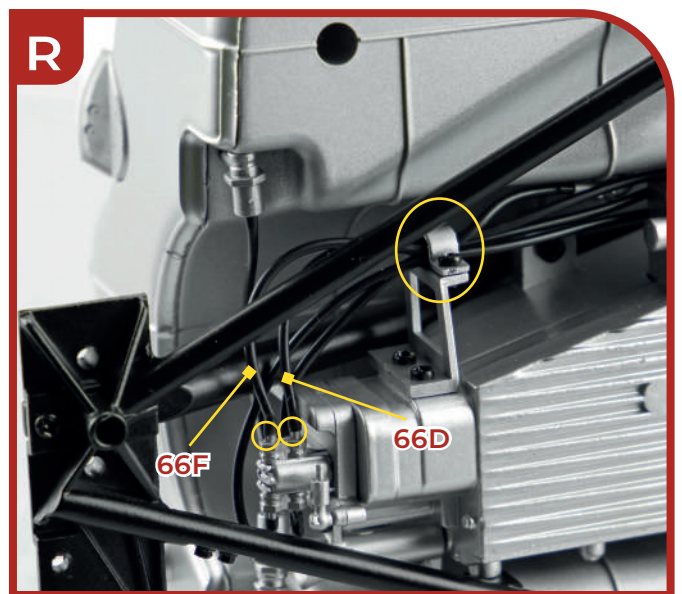
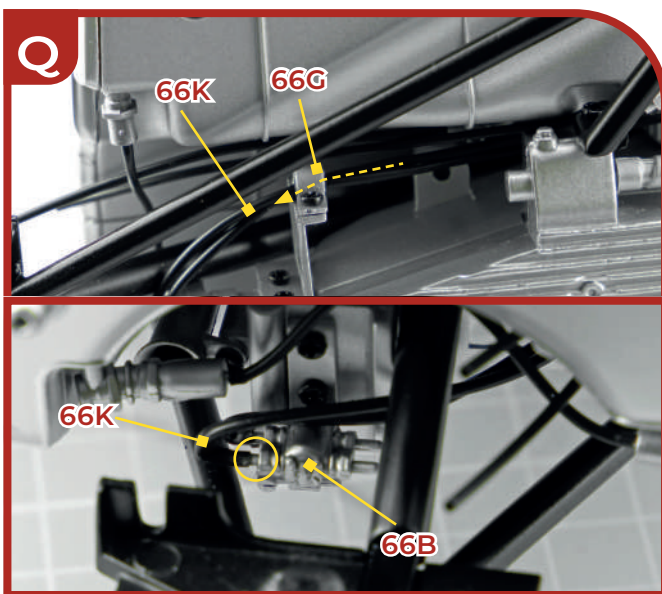
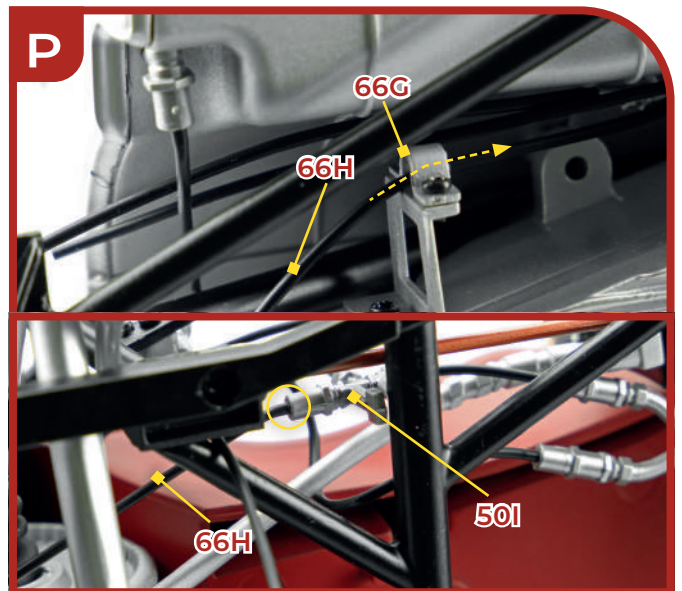
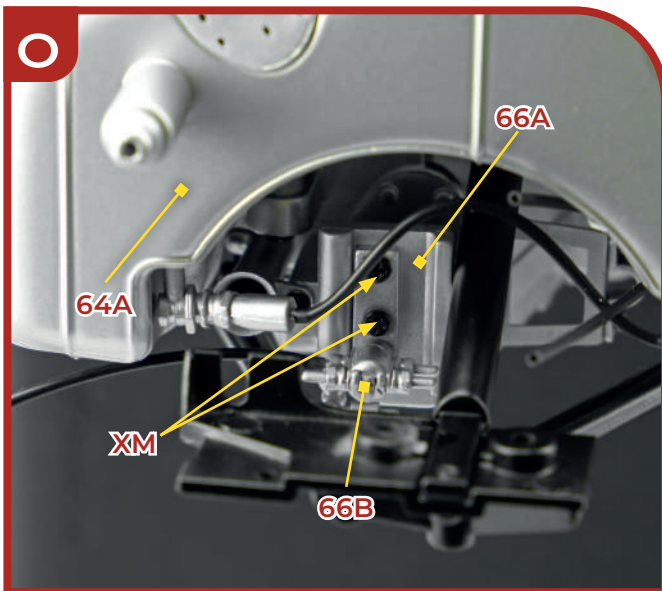
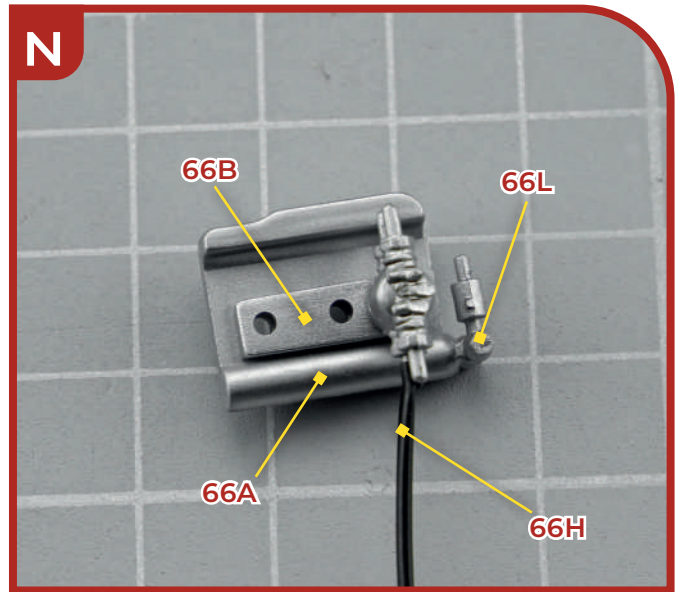
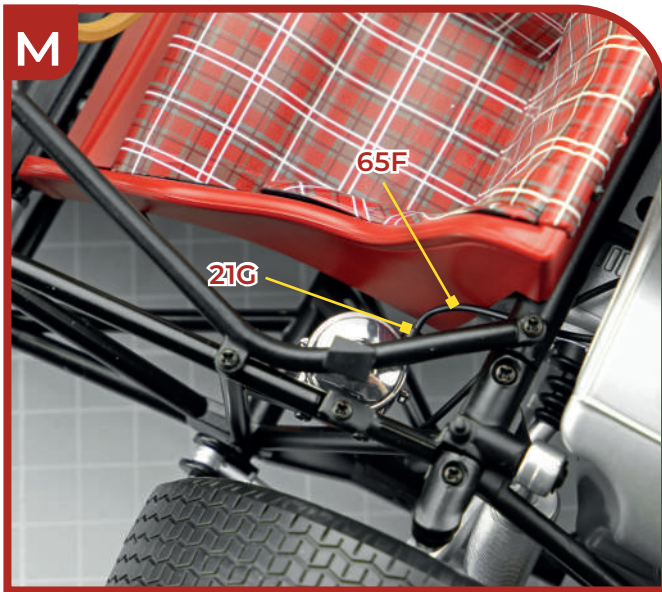
Stage 66: Mounting the Fuel Tank



Stage 66: Mounting the Fuel Tank

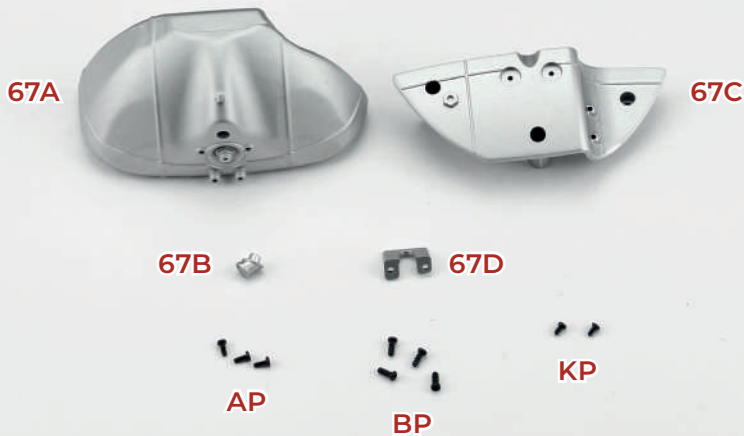


Stage 66: Mounting the Fuel Tank



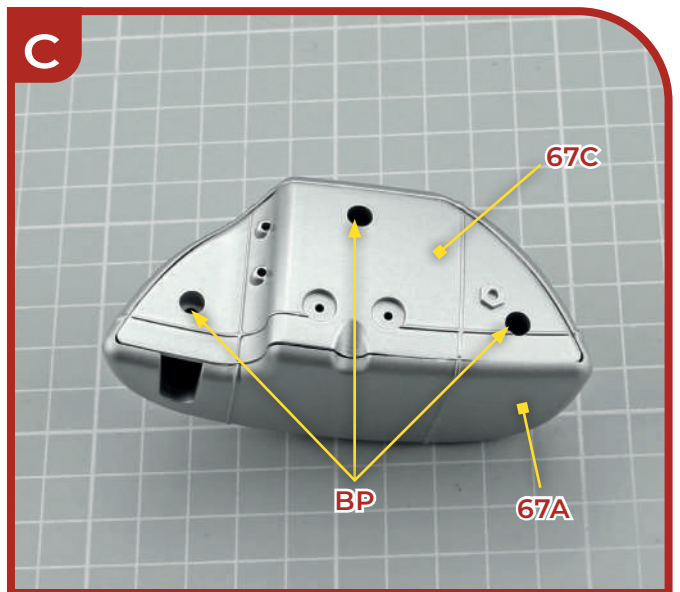
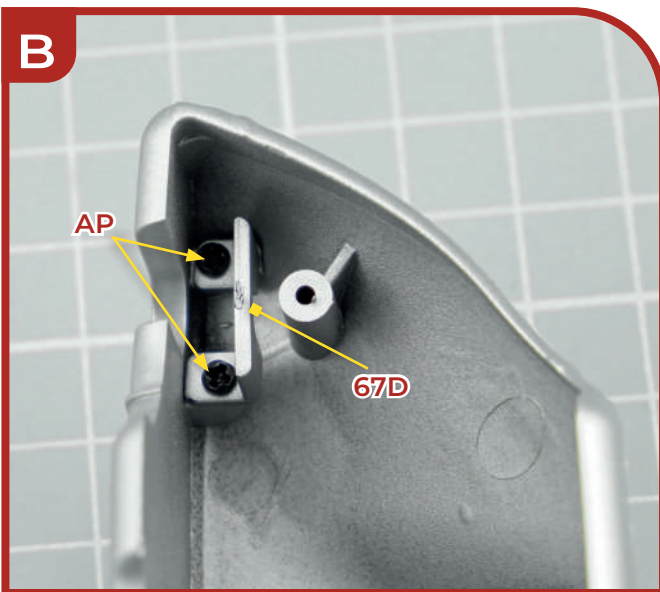
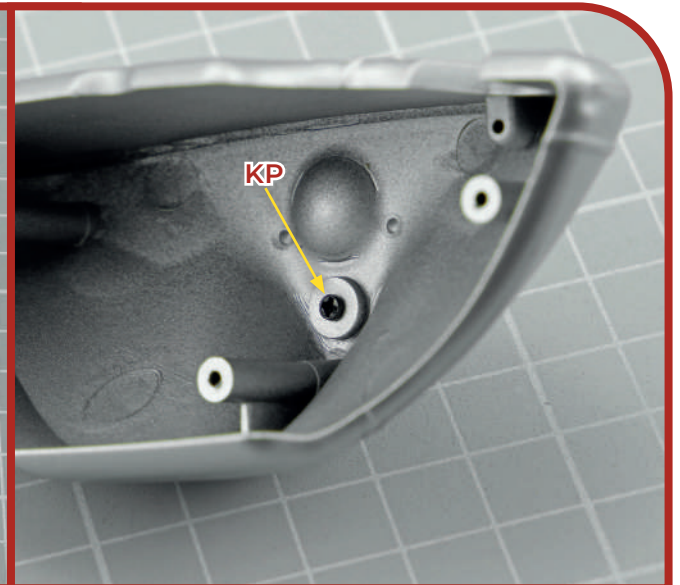
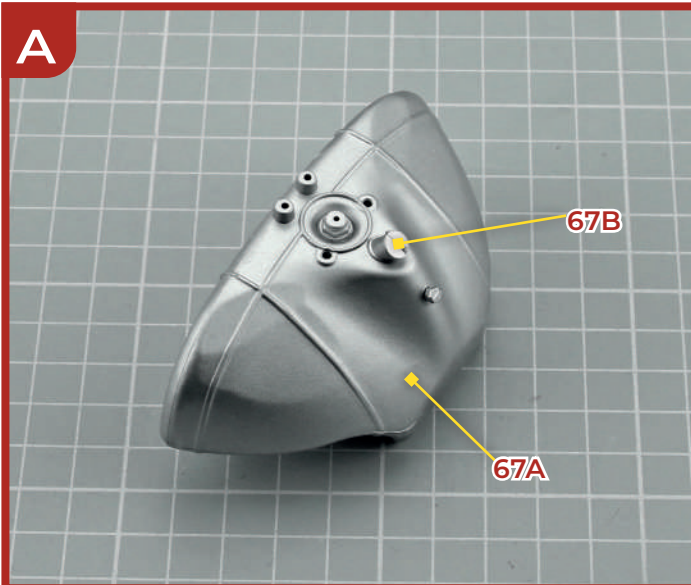
Stage 67: Assembling the Oil Tank

6-67# PARTS LIST



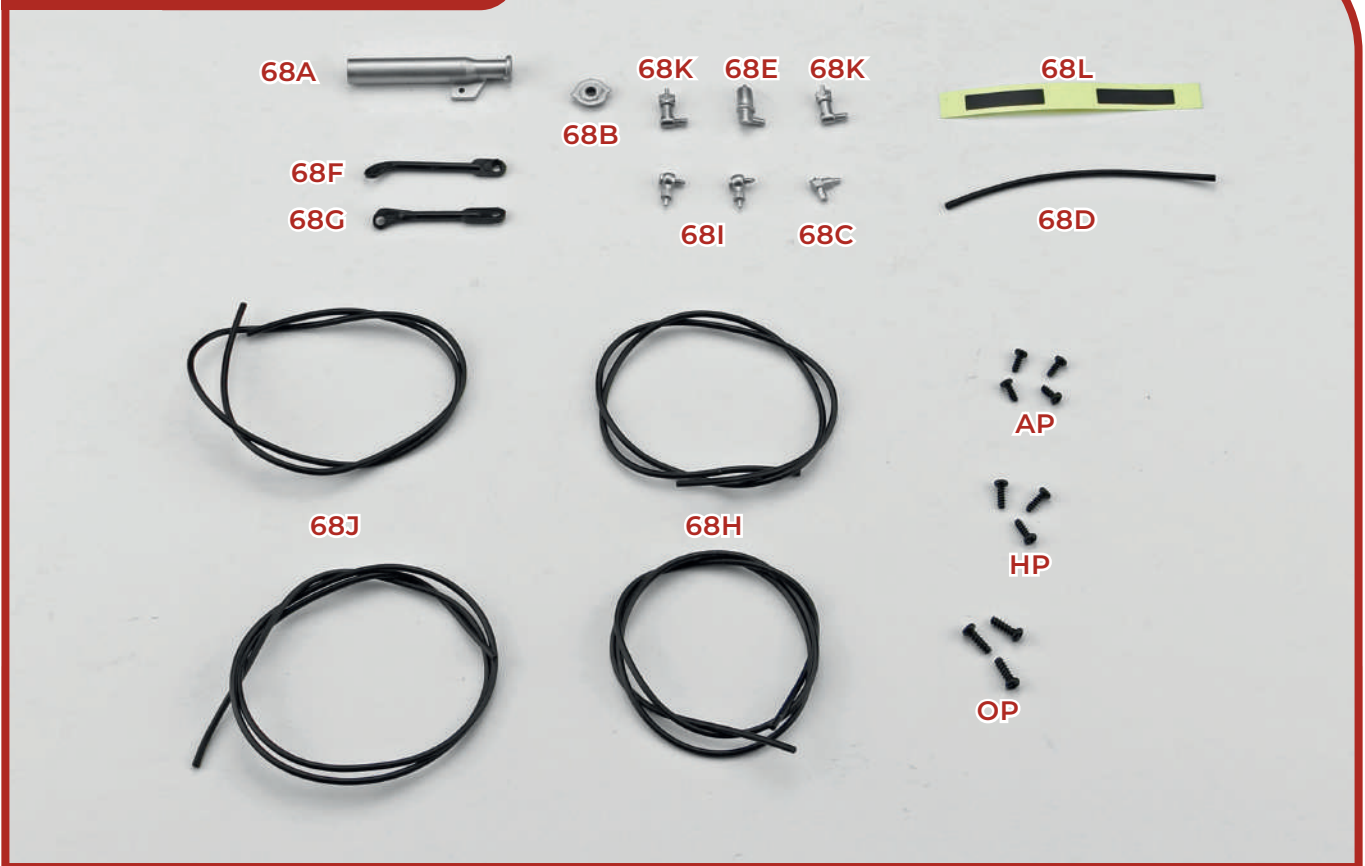
- 67A Oil tank body
- 67B Filler cap
- 67C Oil tank bottom
- 67D Bracket

- AP 3 screws (1.7 x 4 mm)
- BP 4 screws (2 x 5 mm)
- KP 2 screws (1.7 x 3 mm)

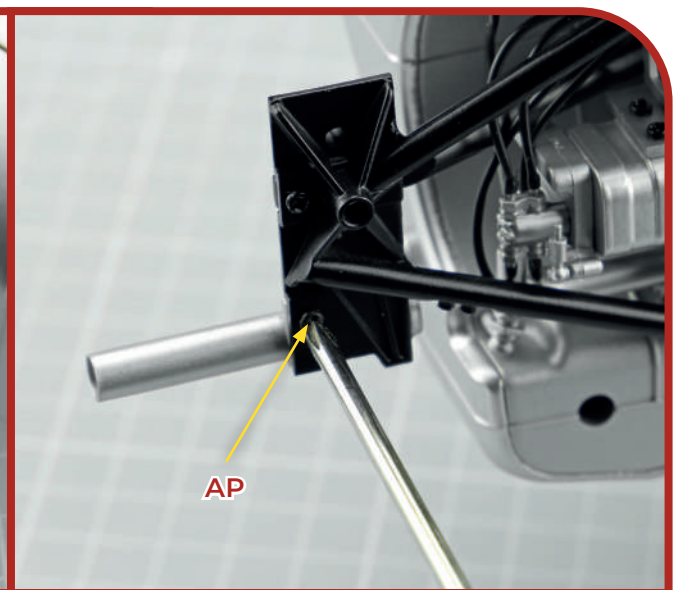
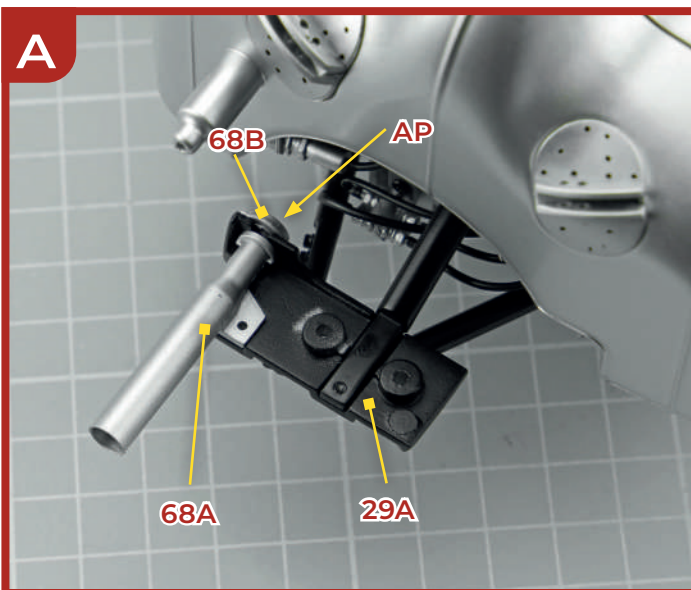


Stage 68: Mounting the Oil Tank

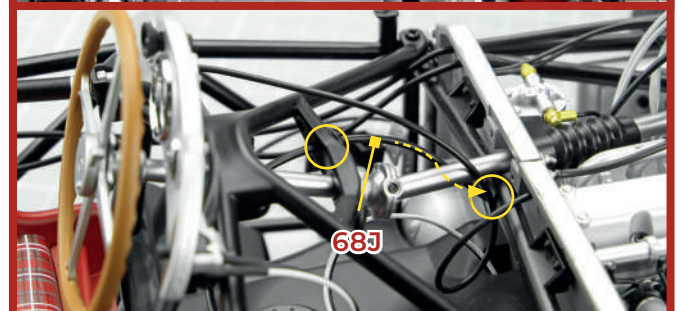
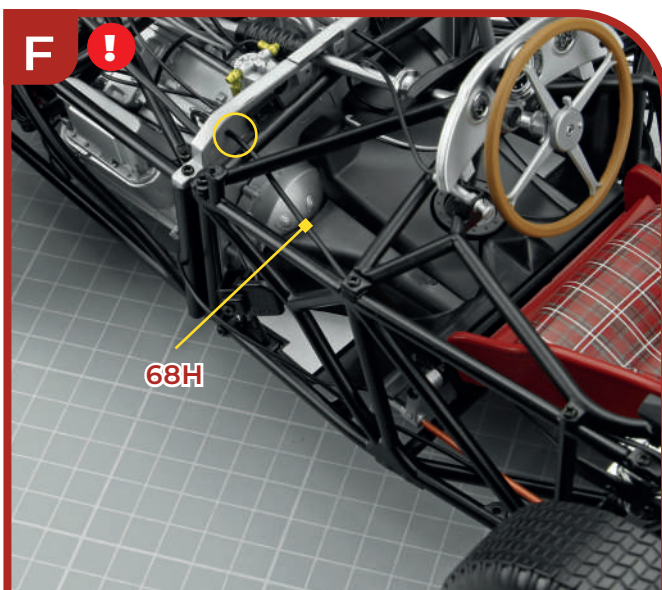
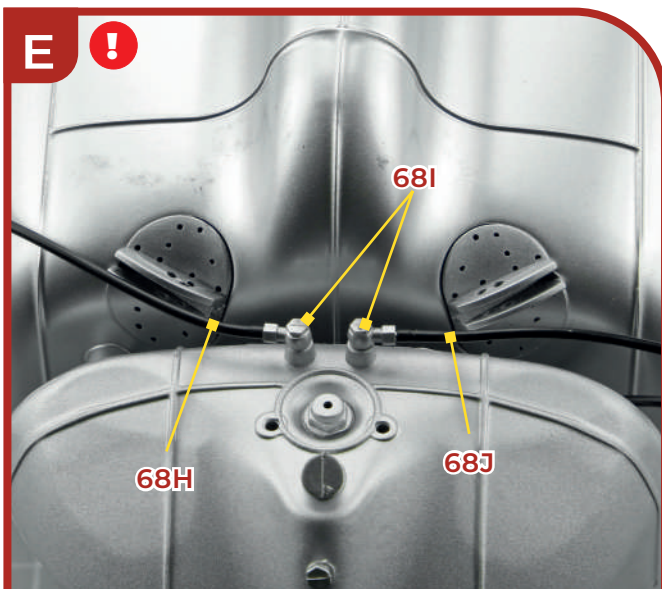
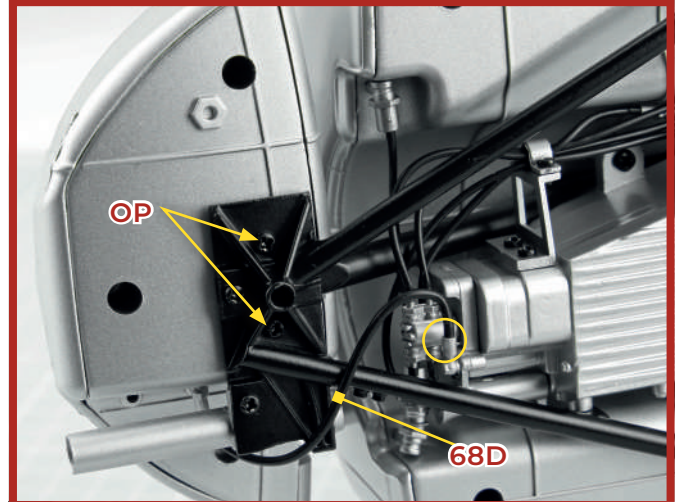
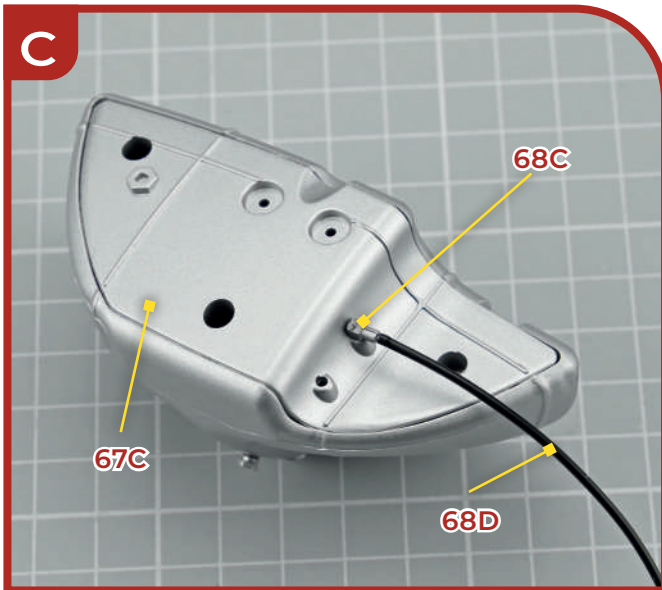
6-68# PARTS LIST



| | | | | | |
|------------|---------------|------------|--------------------|-----------|-----------------------|
| 68A | Shaft part A | 68G | Bracket 2 (R) | AP | 4 screws (1.7 x 4 mm) |
| 68B | Shaft part B | 68H | Tubes 2 (x2) | HP | 3 screws (1.7 x 5 mm) |
| 68C | Detail 1 | 68I | Details 3 (x2) | OP | 3 screws (2 x 7 mm) |
| 68D | Tube 1 | 68J | Tubes 3 (x2) | | |
| 68E | Detail 2 | 68K | Details 4 (x2) | | |
| 68F | Bracket 1 (L) | 68L | Adhesive tape (x2) | | |



Stage 68: Mounting the Oil Tank



Stage 68: Mounting the Oil Tank

