

1955 BRITISH GRAND PRIX WINNER

MERCEDES-BENZ W196 R



Pack 05

BUILD INSTRUCTIONS

STAGE 14: FITTING THE
FRONT LEFT TYRE (REGULAR)

STAGE 14B: FITTING THE
FRONT LEFT TYRE (EASY)

STAGE 15: CONNECTING THE
SPARK PLUGS, THE FUEL
LINES AND THE OIL HOSES

STAGE 16: CONNECTING THE
FUEL PUMP LINE AND THE
EXPANSION TANK

STAGE 17: ATTACHING THE
ENGINE COVERS

STAGE 18: ADDING DETAIL
TO THE FIREWALL AND
CONNECTING FUEL LINES

STAGE 19: BUILDING THE
LEFT CHASSIS SECTION

STAGE 20: ATTACHING THE
REAR AXLE SUPPORT

STAGE 21: FITTING THE REAR
LEFT CHASSIS SECTION

STAGE 22: FITTING THE REAR
RIGHT CHASSIS SECTION

STAGE 23: ATTACHING THE
RIGHT CHASSIS SECTION

STAGE 24: FITTING THE
FRONT SUSPENSION AND THE
STEERING SUPPORT

STAGE 25: ASSEMBLING
THE GEARBOX

STAGE 26: BUILDING THE
REAR BRAKE DRUMS AND
CONNECTING THE GEARBOX

"MERCEDES-BENZ" and  are the intellectual property of Mercedes-Benz Group AG.
They are used by Agora Models under license.

AGORA
MODELS®

Advice from the experts

This set of step-by-step instructions will enable you to complete the build of your 1:8-scale Mercedes-Benz W 196 R. The only tool you will need is a screwdriver. Most of the steps involve simply screwing or fitting parts together, and the correct screws needed for each step are clearly labelled on the instructional images.

Please note the following:

- The number designated by a # refers to the number given on the parts supplied in each pack.
- Where left and right elements of the same part are supplied, these are listed as (L) and (R).
- Close-up details of steps are framed in yellow.
- You will not be using every part you receive in your shipment in that build section. Keep any parts that are not used aside for use in a later sequence.
- You will receive extra screws with each shipment in case any screws are lost or broken.
- Screws with codes ending in the letter M drive into metal; those ending in the letter P drive into plastic.
- With M screws, first drive the screw in half-way. Then unscrew it to release the shavings created as the screw cuts its thread. Finally, drive the screw fully into the socket. M screws should be tightened so the head makes firm contact with the fixing surface.
- With P screws, do not over-tighten them as they can damage the socket.
- When working with the pre-finished exterior surfaces of the model, work on a soft cloth. This will protect against scratching the paintwork.
- When plugging wires in, ensure the power is switched off.
- Tweezers can be used to fit the PVC cables. In this case, grip carefully around 5mm from the end of the cable. If the end of the cable is too narrow to fit on to the pin, cautiously insert a cocktail stick, being wary not to split the cable.
- Some smaller plastic parts are attached to sprues. You can remove these by hand, or by careful use of a cutting implement such as a scalpel.
- When assembling the wheels of your model, you can choose between regular and easy assemblies. Follow our instructions carefully.

The images in this manual may differ slightly from those supplied in your pack. These images differ in appearance only and will not affect the process of the build.

WARNING: Some parts are assembled using magnets. These magnets can cause serious injury if they are swallowed. Keep away from children. If you suspect a magnet has been swallowed, seek medical help straight away.

Advice from the experts



When you see this symbol on one of the images in these instructions, we have provided a Top Tip to help you with your build. Check back on this page for the corresponding tip!

You can find more expert tips and advice for building the Mercedes W196R on our forum.

Go to <https://community.agoramodels.com/forum/198-mercedes-w196r/>

Page 6 – C

Pipes **15A** and **15B** (plug leads) should be super-glued to the magnetos (**6A**, **6B**, **6E** and **6F**). You may need to swell the pipes with a cocktail stick to get them over the pins.

Page 6/7 – D & E

If any of the plastic tubes are too thin to fit, try soaking them in hot water and/or use super glue.

Page 8 – B

The sub-assembly **16E**, **16F**, **16G** and **16H** can be left off the engine until the engine is fitted to the chassis to avoid damaging these parts.

Stage 14: Fitting the Front Left Tyre (Regular)

2-14# PARTS LIST

- 14A Tyre
- 14B Hub 3
- 14C Hubcap
- 14D Washer ring



REGULAR ASSEMBLY

A

Soften the tyre **14A** by placing it in a bowl of hot water.

14A



12A

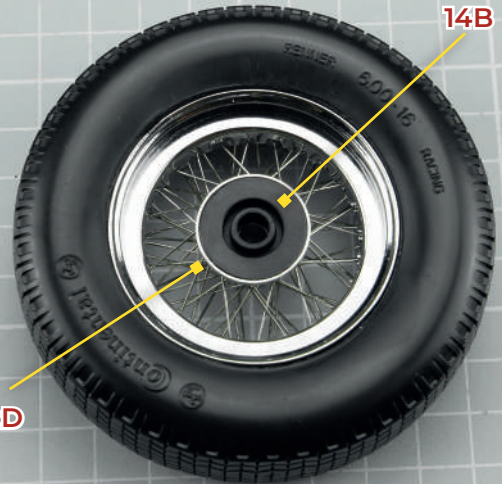
14A



B

14B

12D



C

14D

14C



D

14C

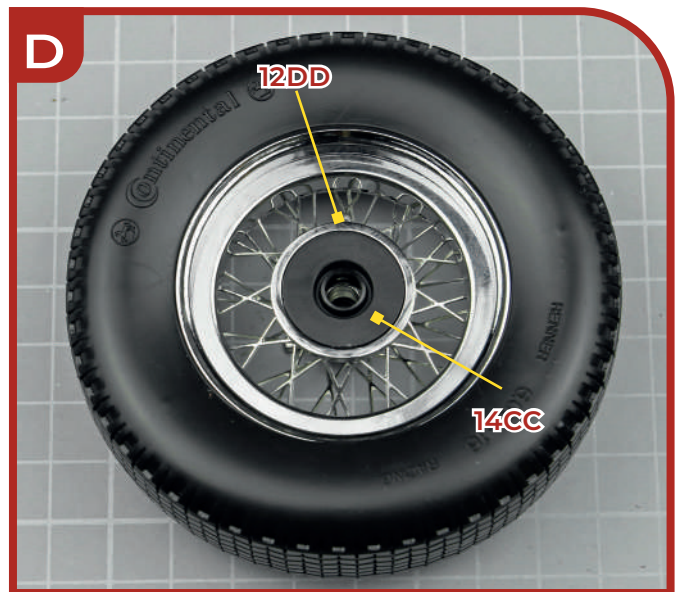
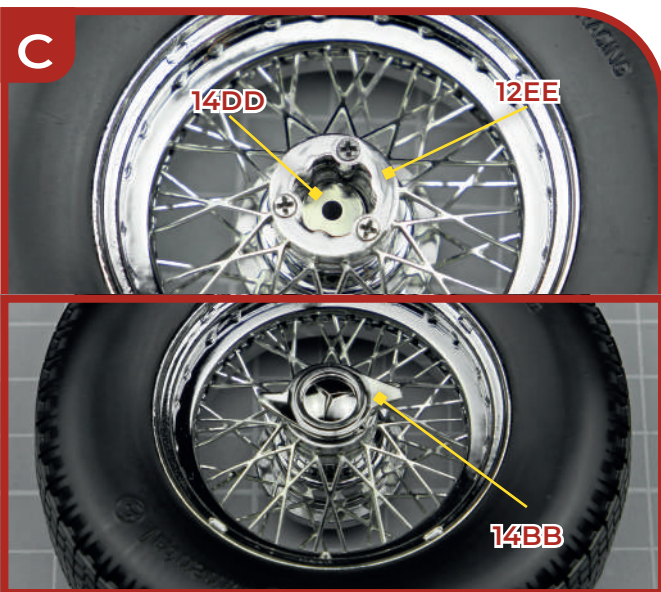
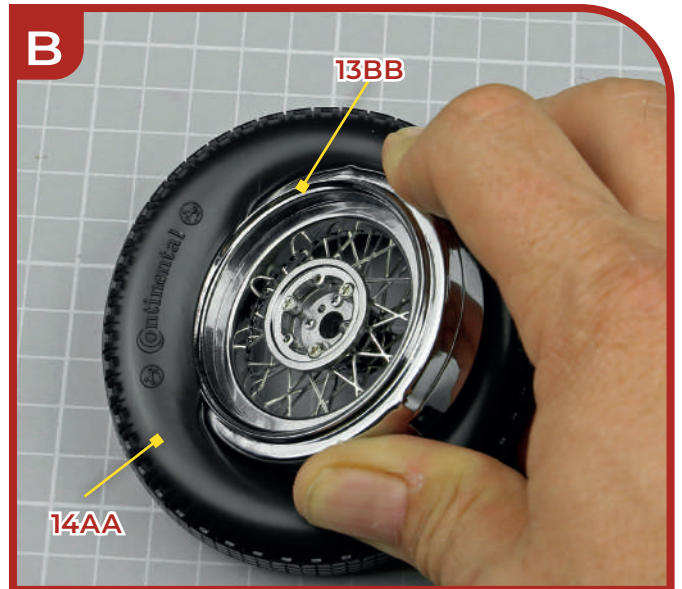
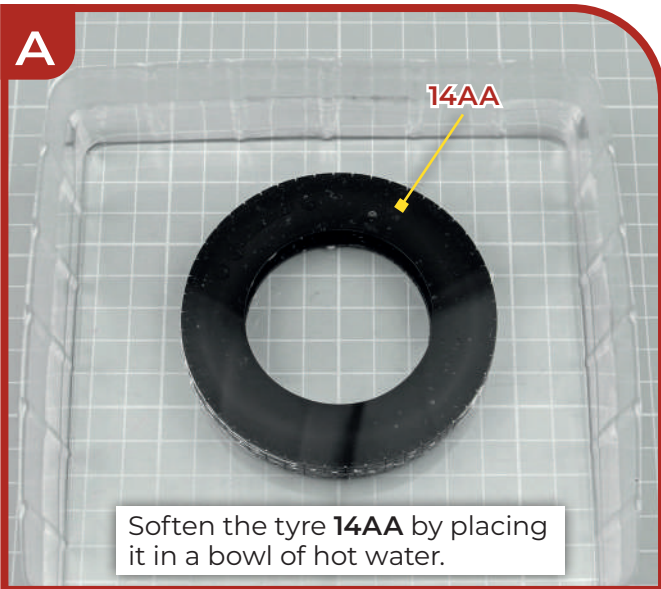
14C



Stage 14B: Fitting the Front Left Tyre (Easy)

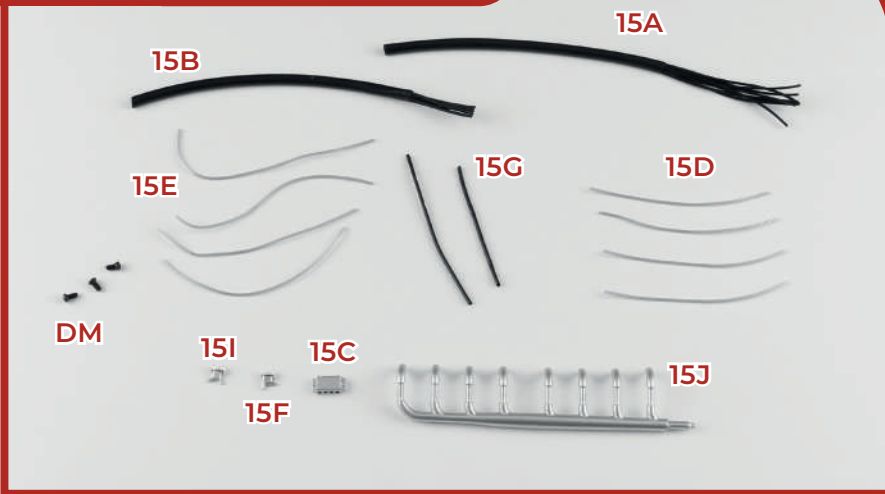
2-14B# PARTS LIST

- 14AA Tyre
- 14BB Hubcap
- 14CC Hub 5
- 14DD Washer ring



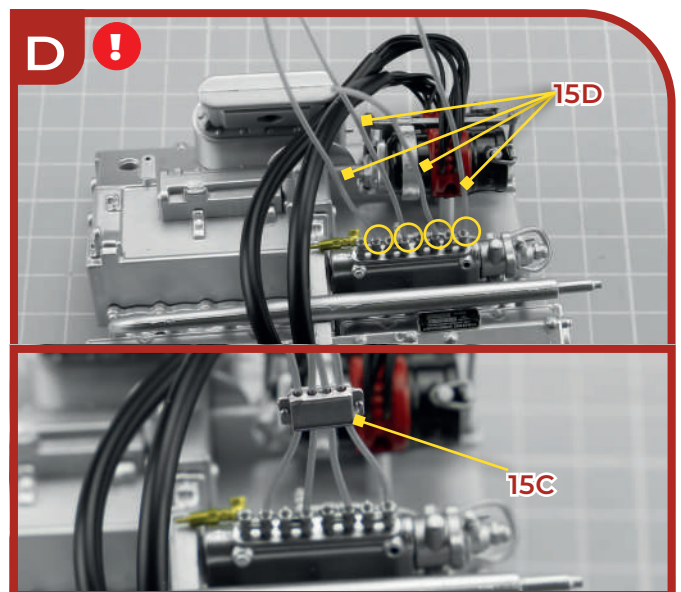
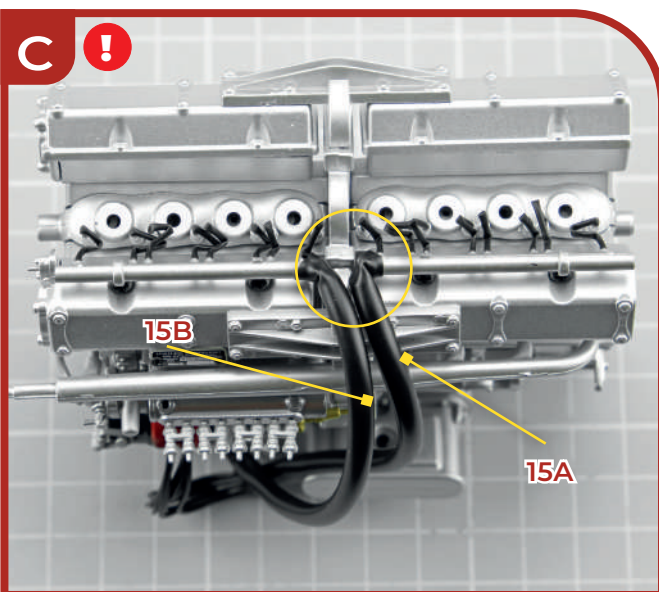
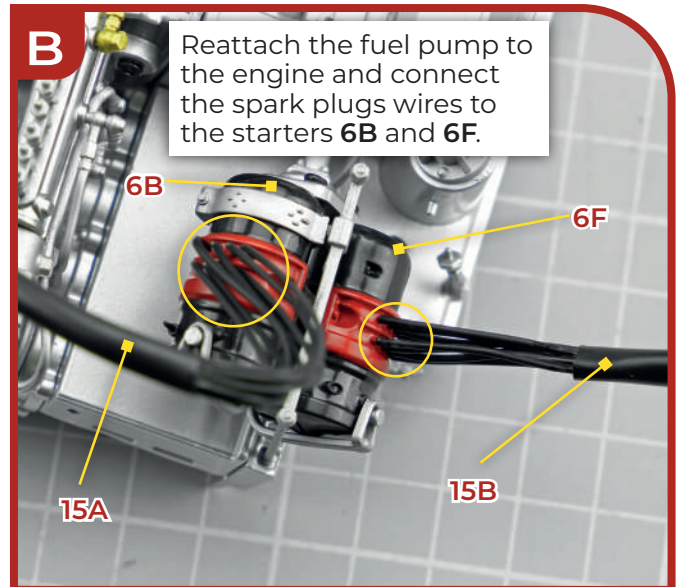
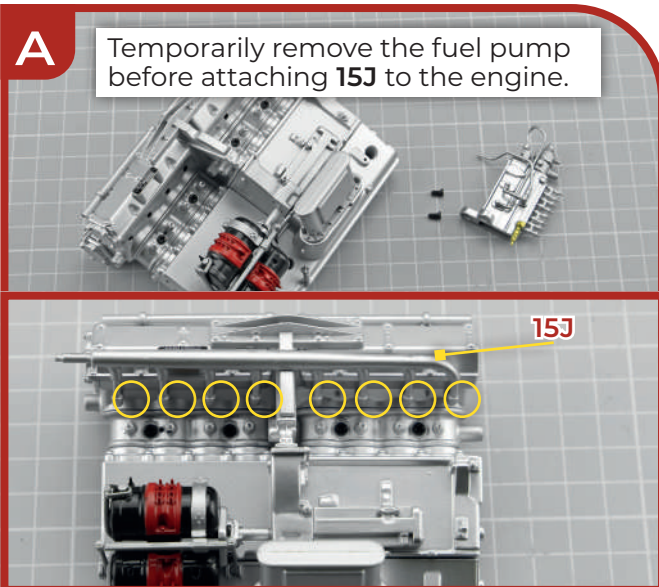
Stage 15: Connecting the Spark Plugs, the Fuel Lines and the Oil Hoses

2-15# PARTS LIST

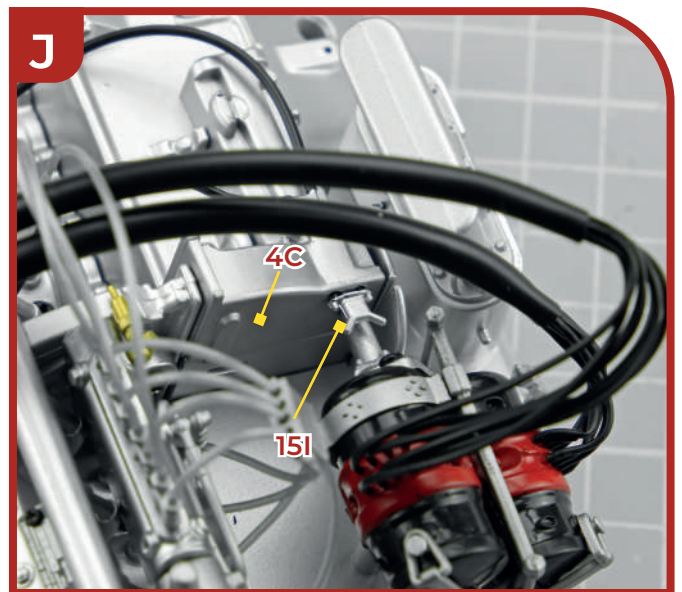
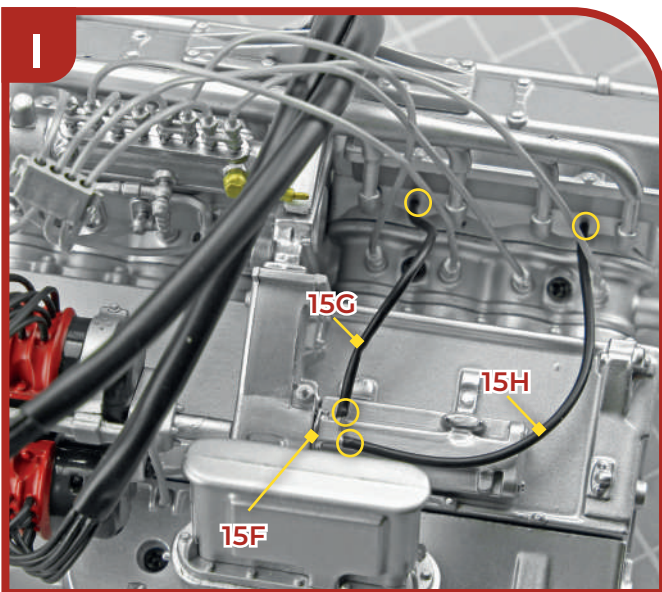
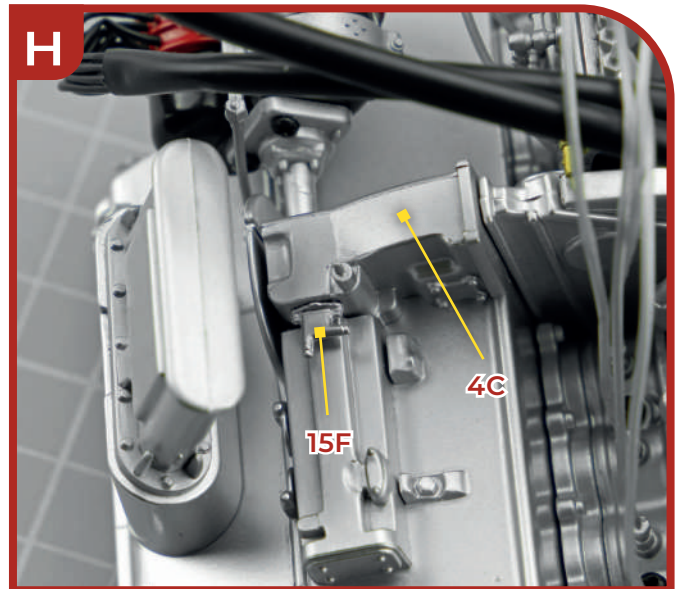
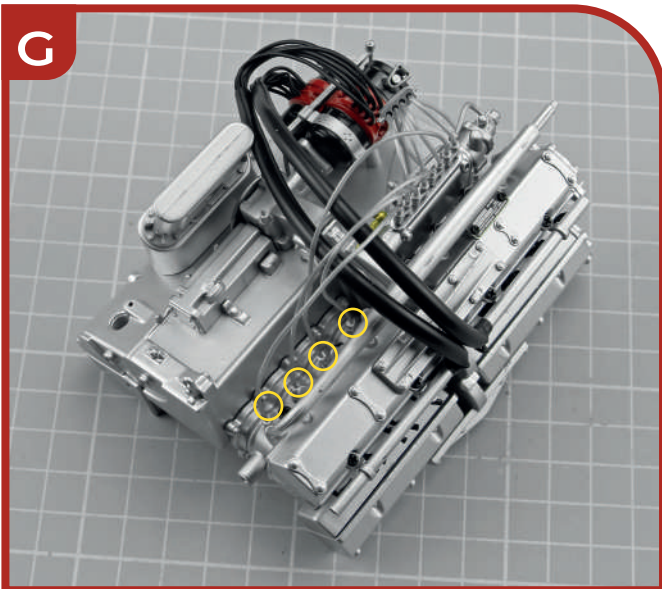
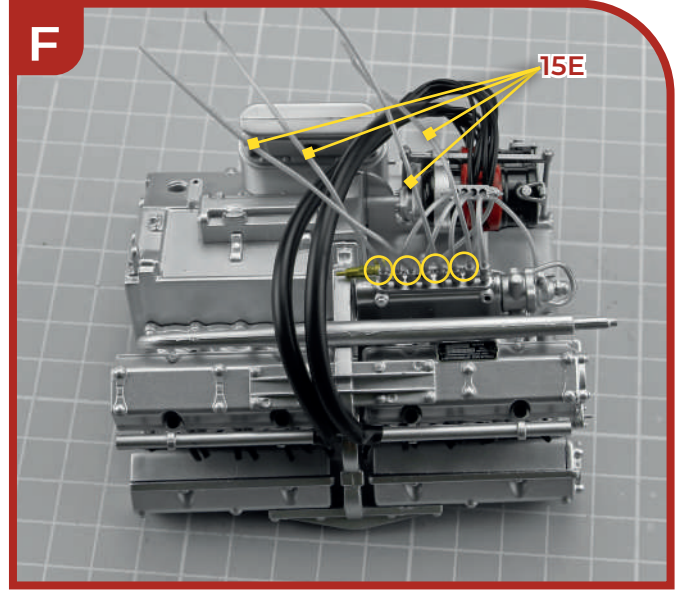
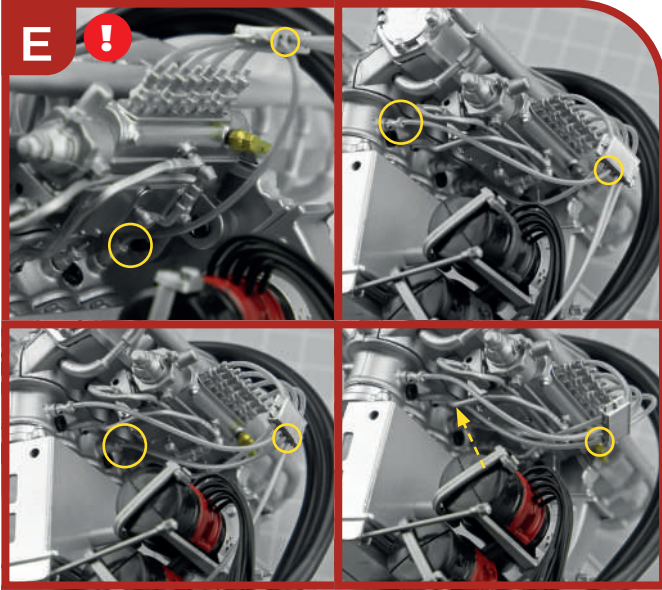


- 15A Spark plugs wire 1
- 15B Spark plugs wire 2
- 15C Fuel lines fairlead
- 15D Fuel lines 1 (x4)
- 15E Fuel lines 2 (x4)
- 15F Oil hoses connector 1
- 15G Oil hose 1
- 15H Oil hose 2
- 15I Oil hoses connector 2
- 15J Engine cooling duct

- DM 3 screws (2 x 4 mm)

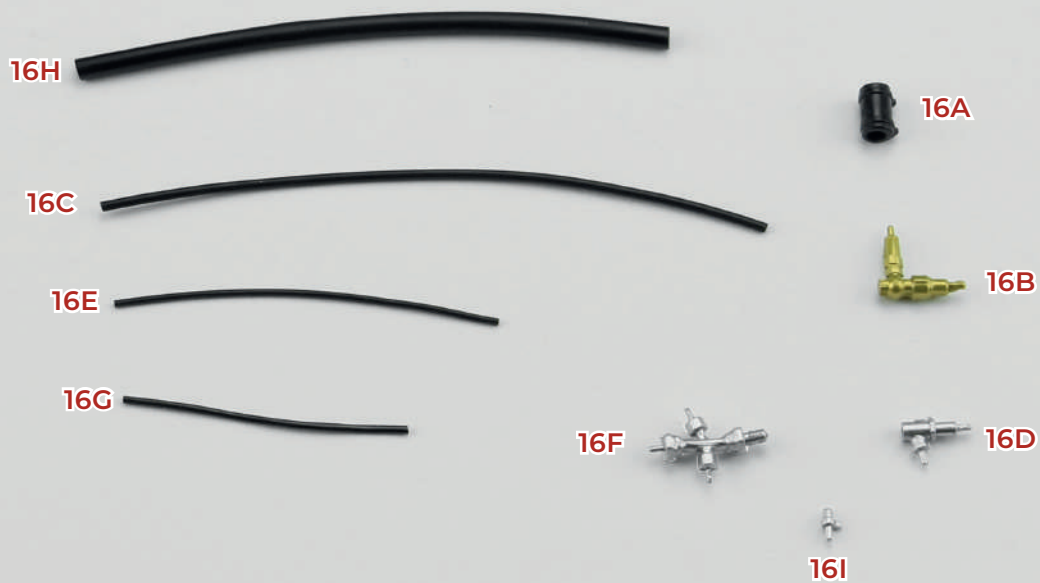


Stage 15: Connecting the Spark Plugs, the Fuel Lines and the Oil Hoses

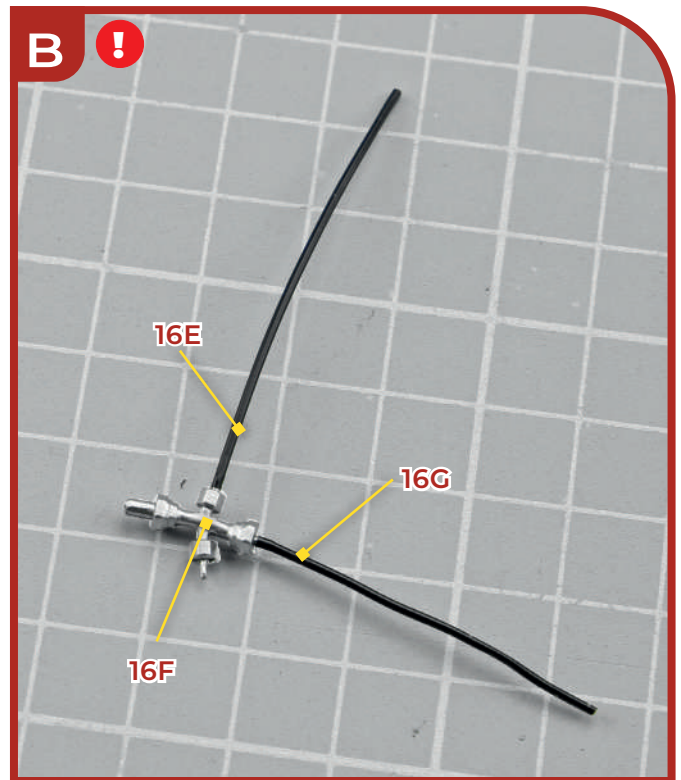
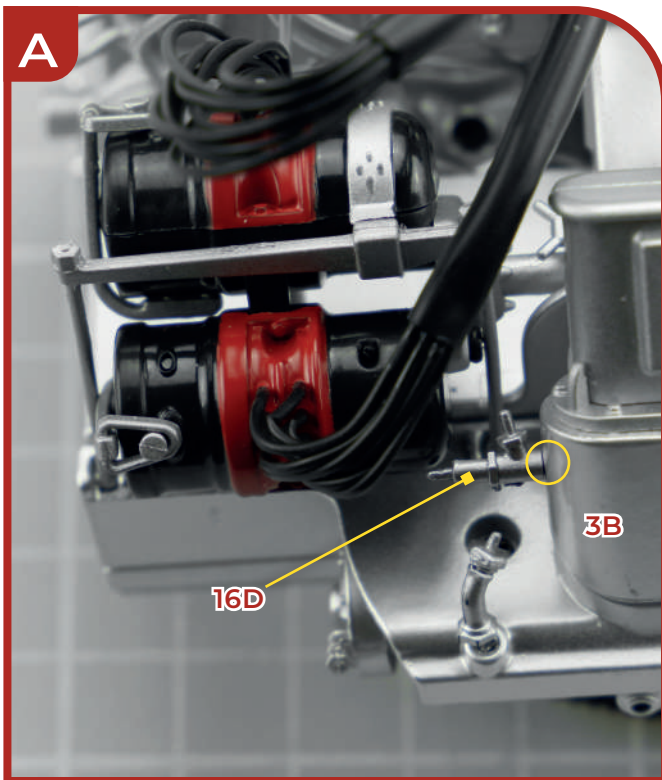


Stage 16: Connecting the Fuel Pump Line and the Expansion Tank

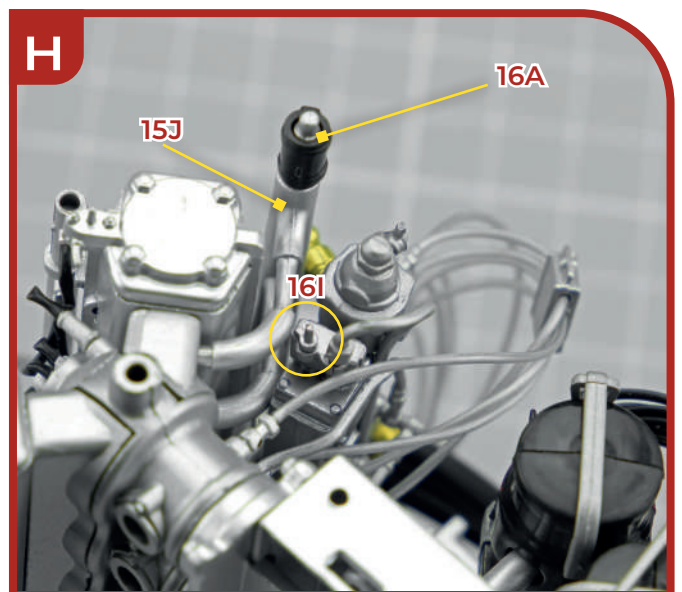
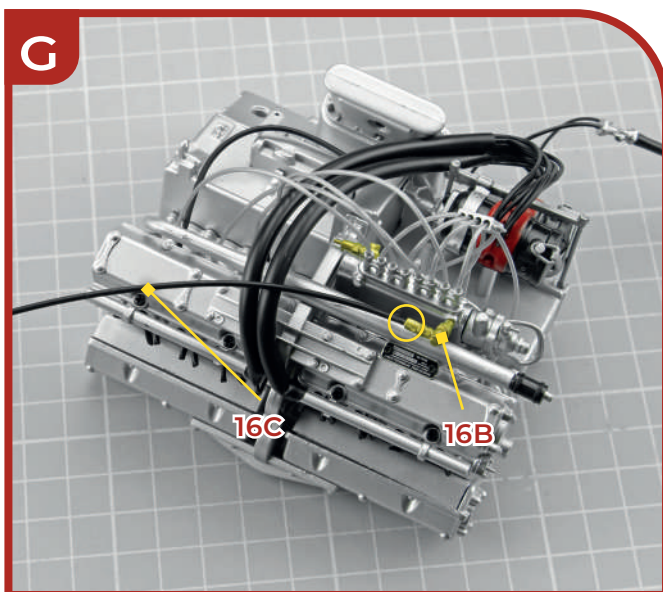
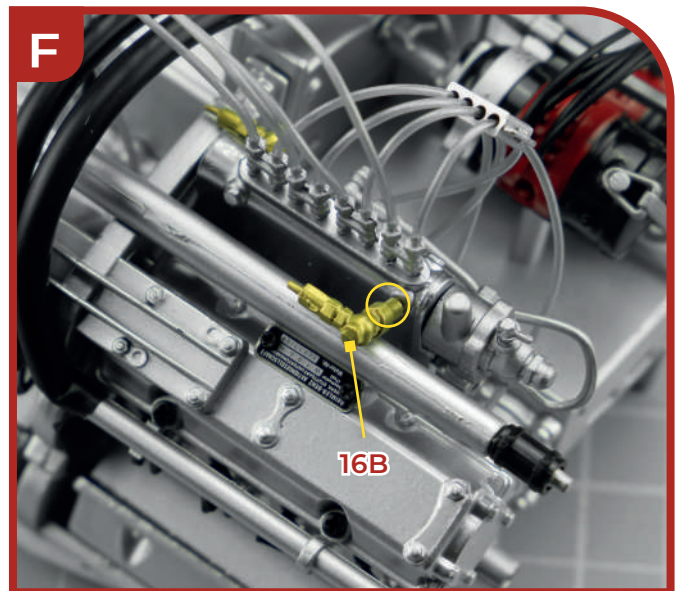
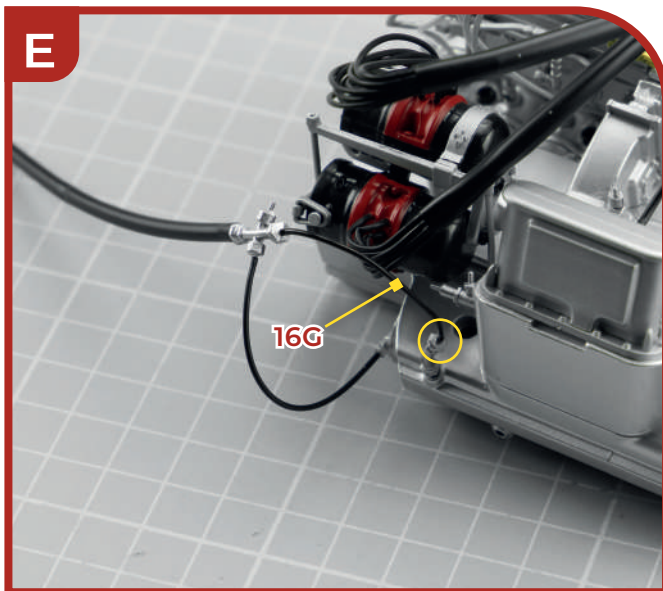
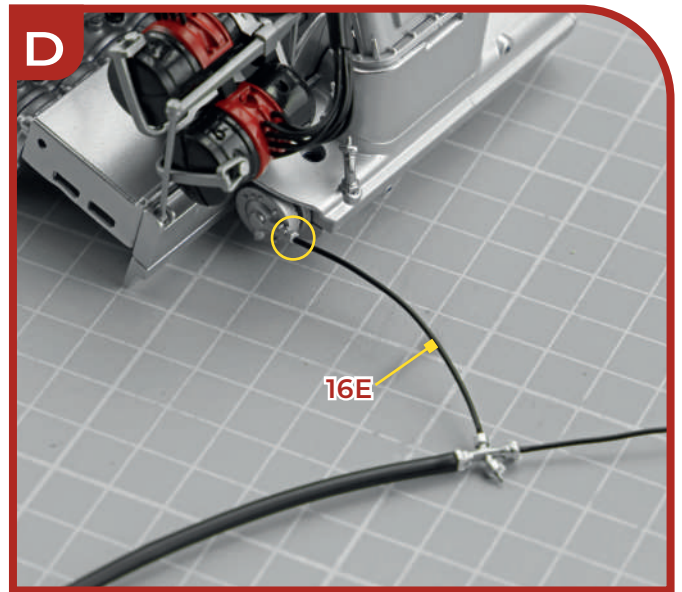
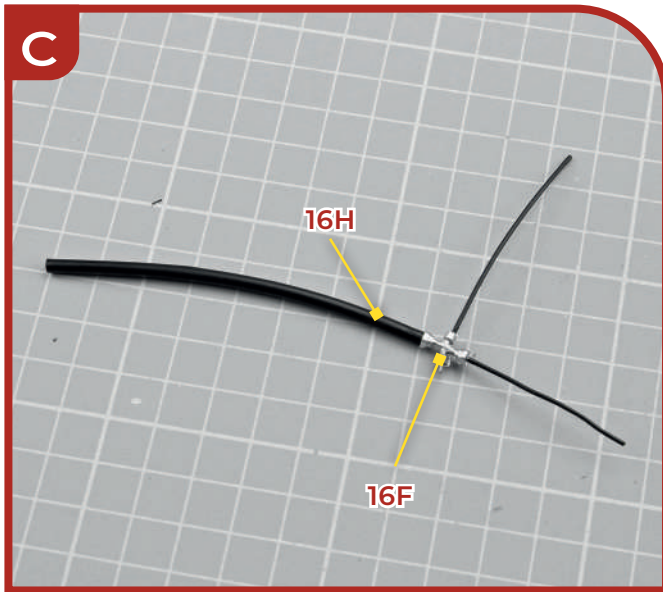
2-16# PARTS LIST



16A	Expansion tank connector	16D	Oil hoses connector 3	16H	Oil hose 5
16B	Fuel pump connector	16E	Oil hose 3	16I	Detail
16C	Fuel pump line	16F	Oil hoses connector 4		
		16G	Oil hose 4		

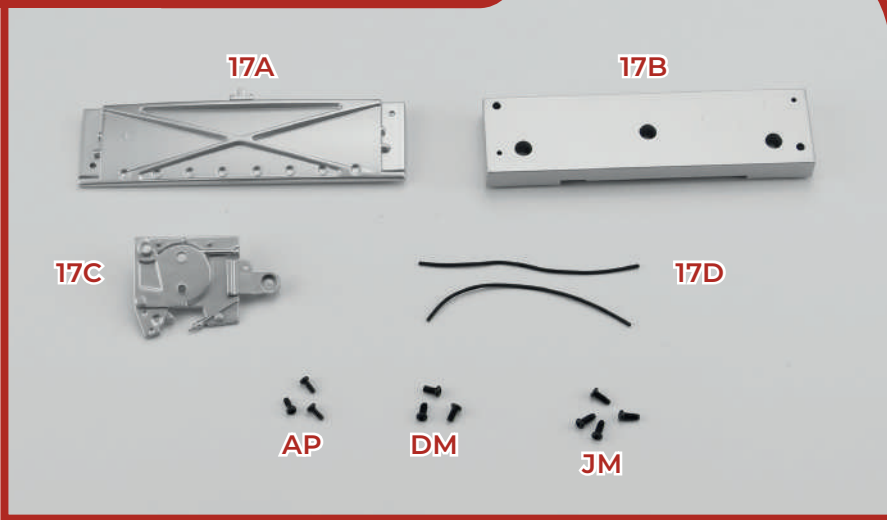


Stage 16: Connecting the Fuel Pump Line and the Expansion Tank

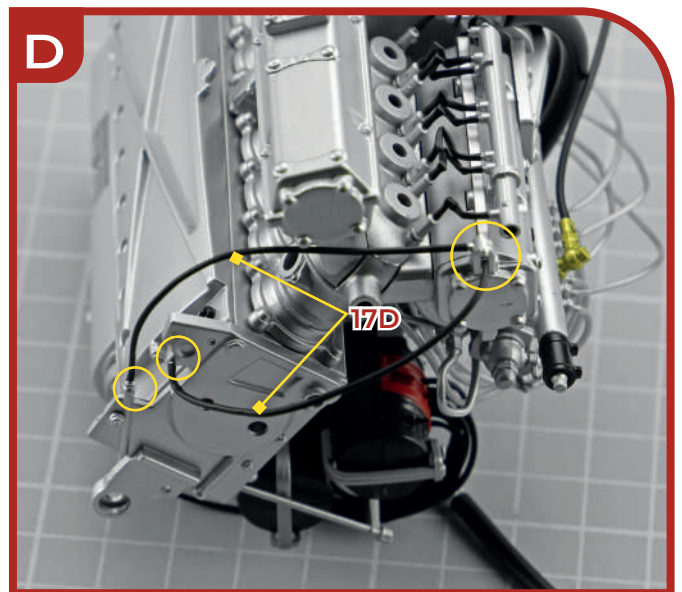
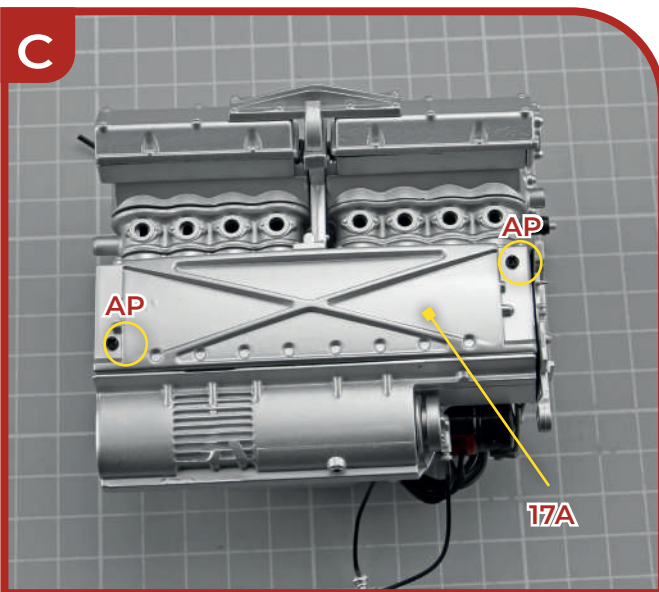
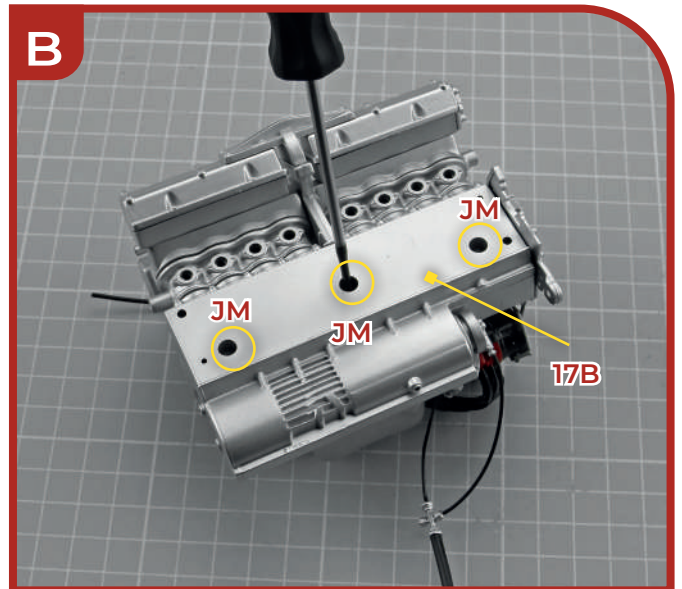
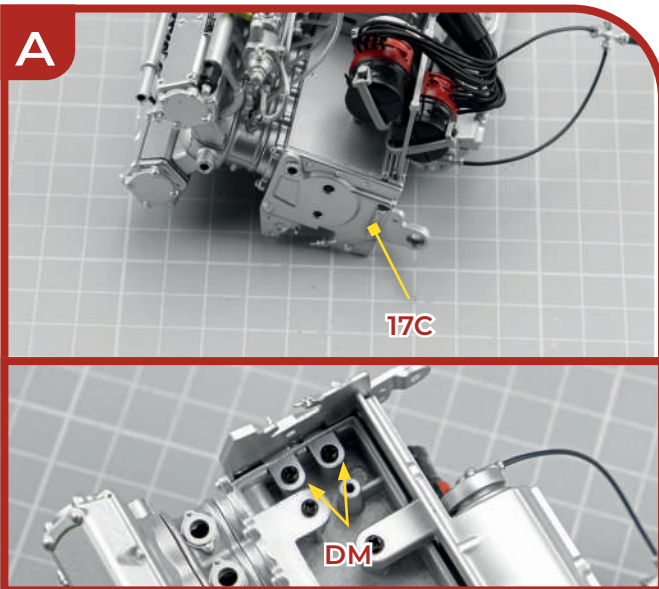


Stage 17: Attaching the Engine Covers

2-17# PARTS LIST

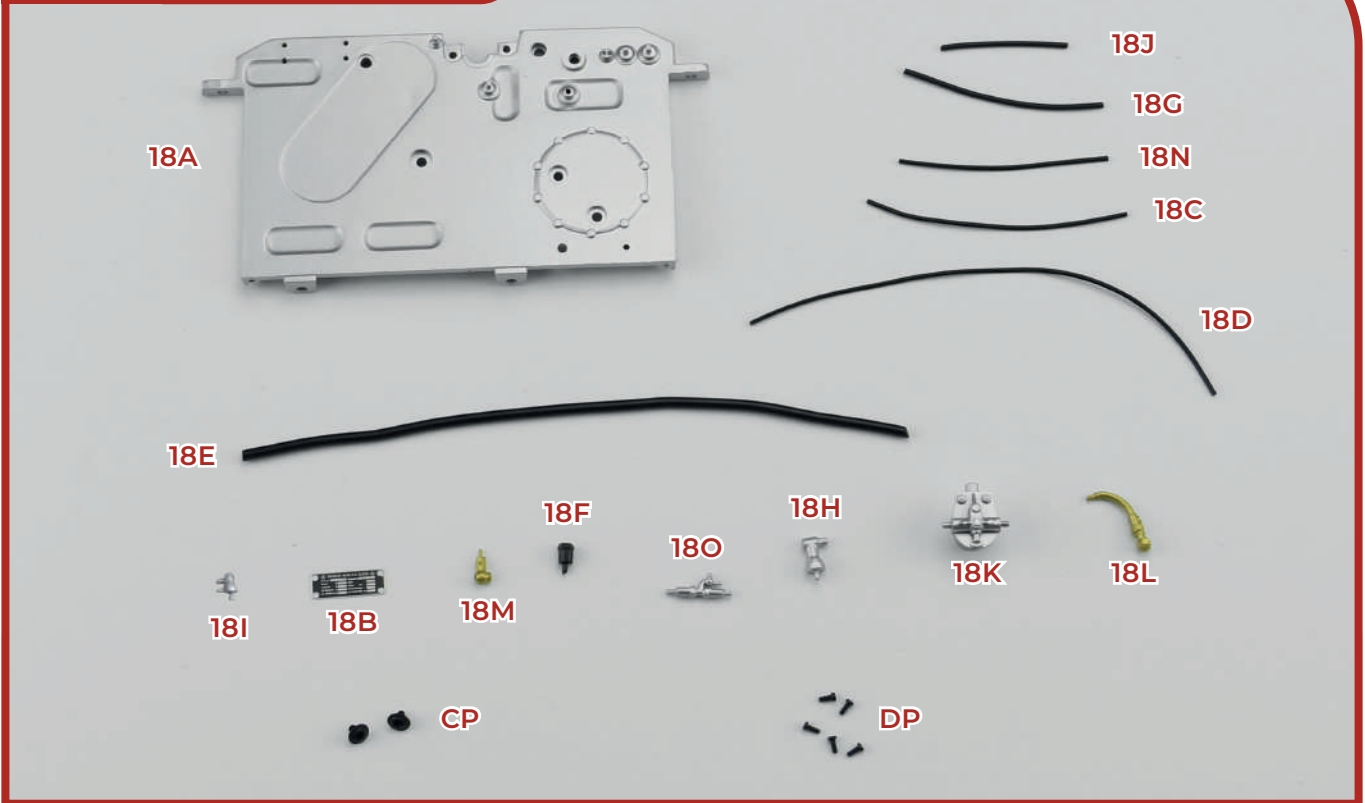


- 17A Engine side cover part A
- 17B Engine side cover part B
- 17C Engine front cover
- 17D Oil hoses 6 (x2)
- AP 3 screws (1.7 x 4 mm)
- DM 3 screws (2 x 4 mm)
- JM 4 screws (2 x 5 mm)

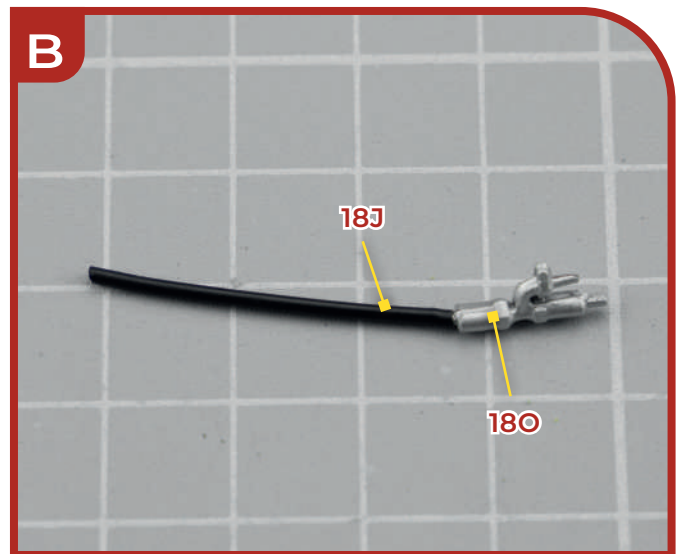
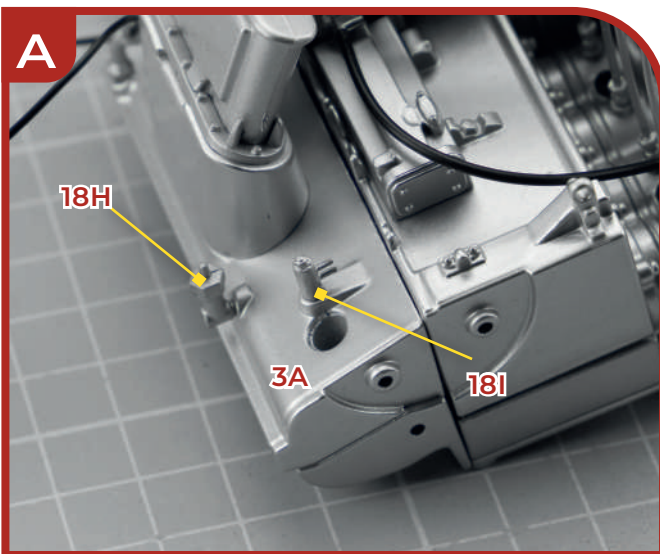


Stage 18: Adding Detail to the Firewall and Connecting Fuel Lines

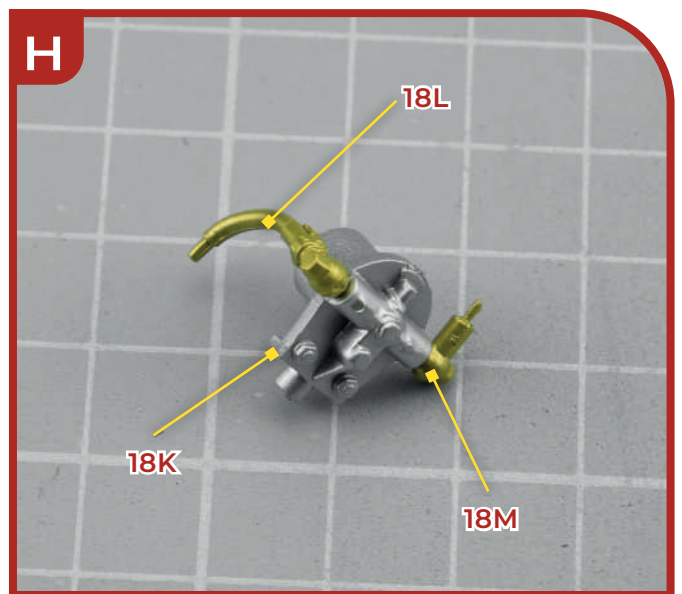
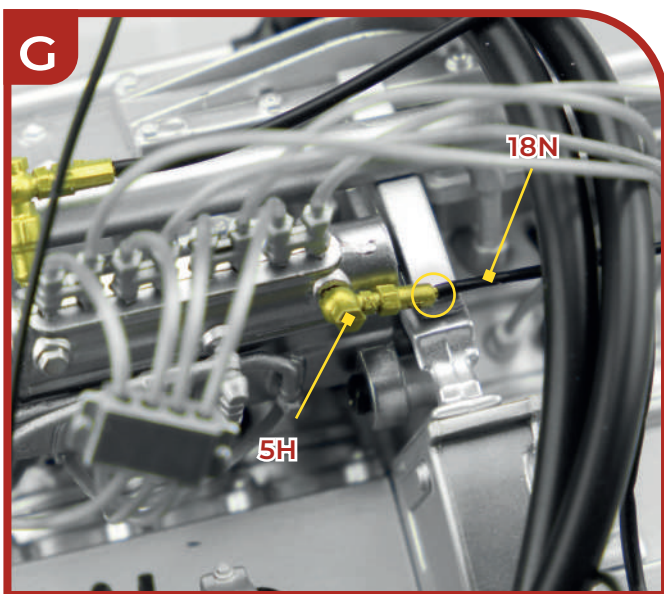
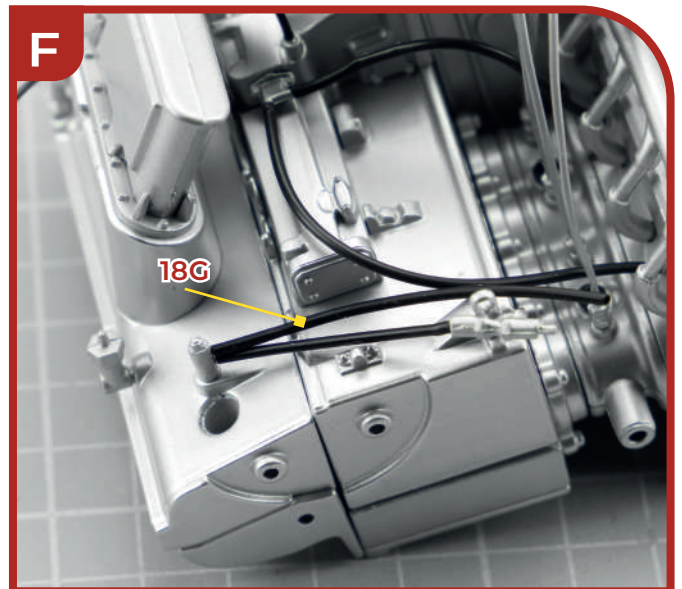
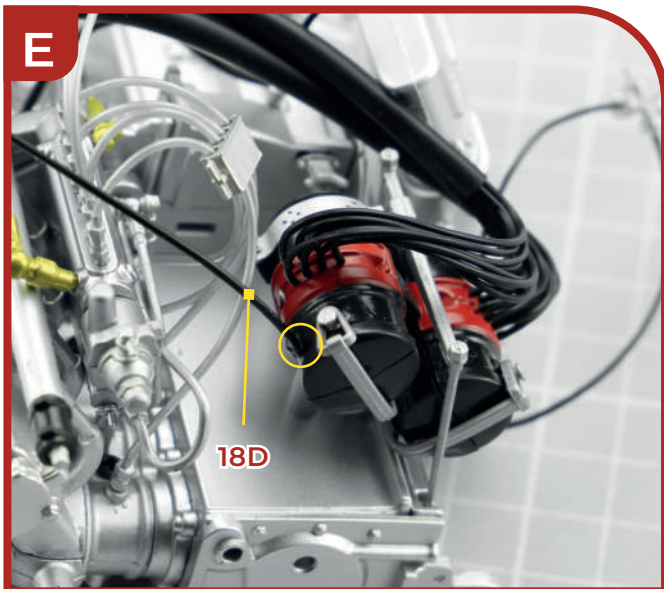
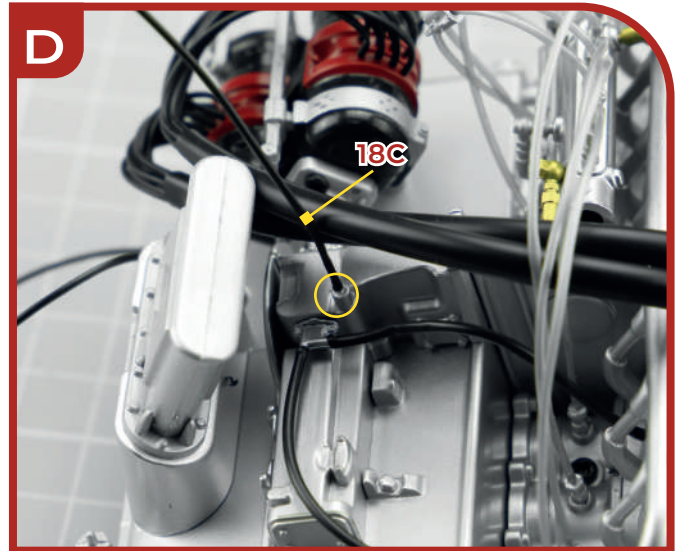
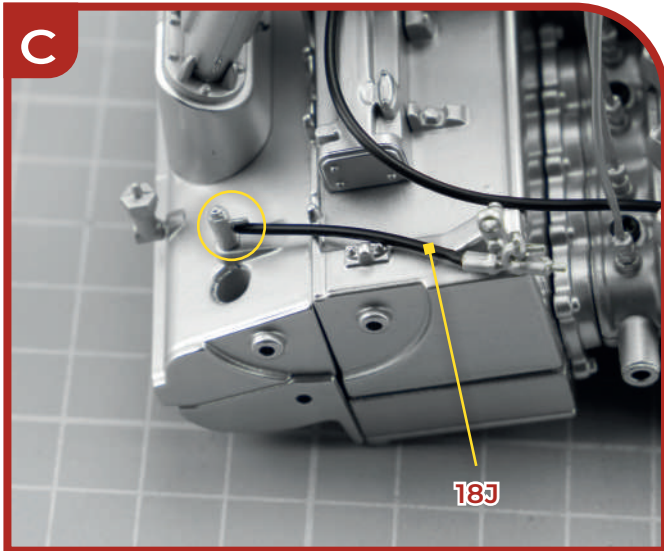
2-18# PARTS LIST



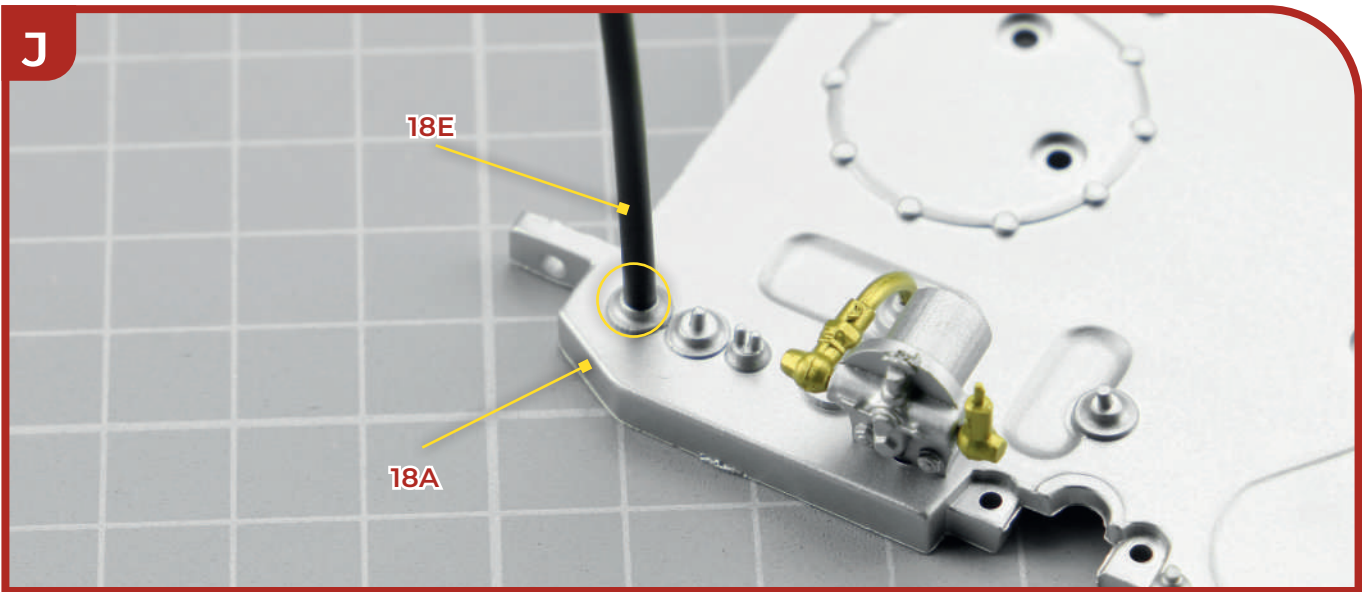
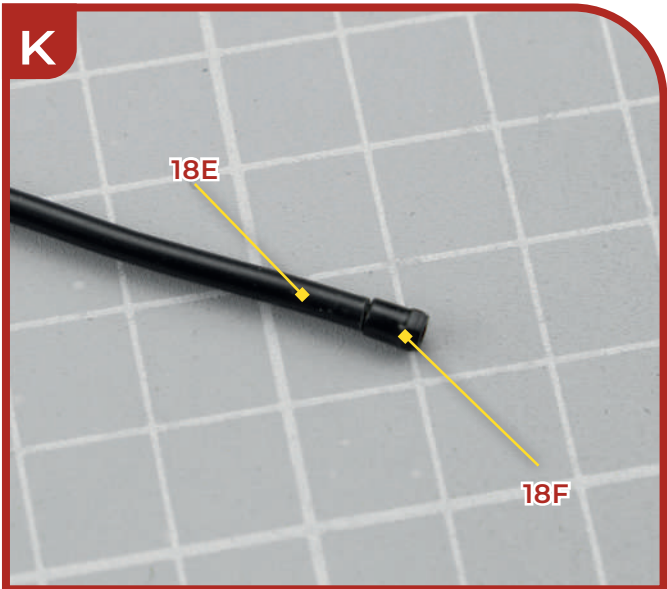
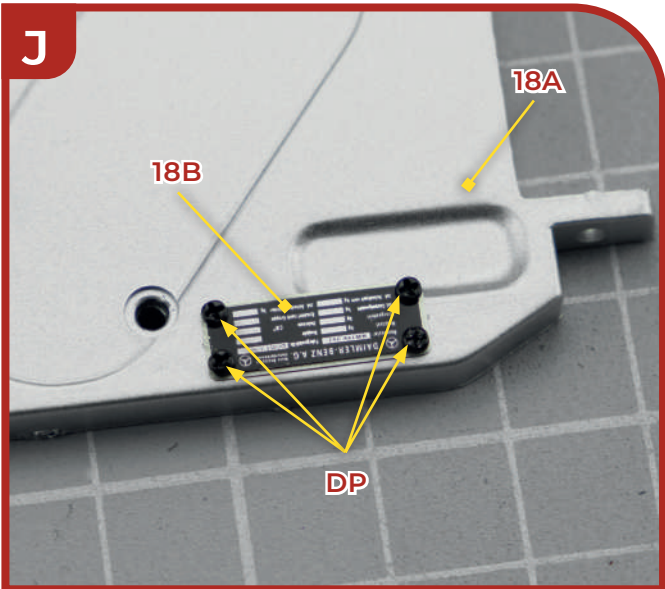
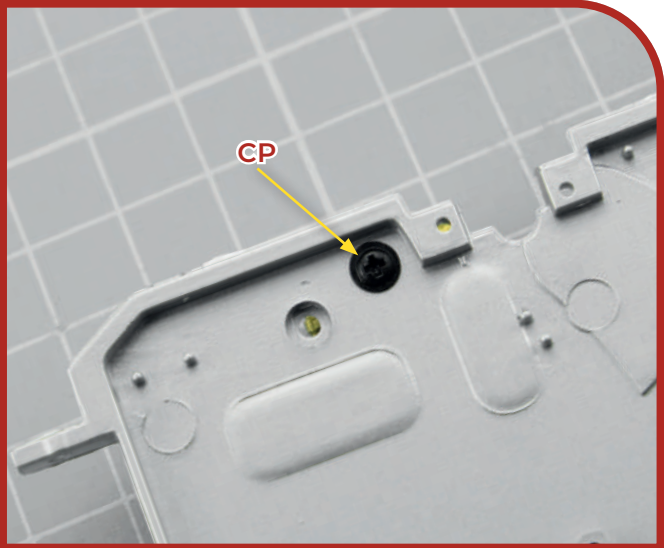
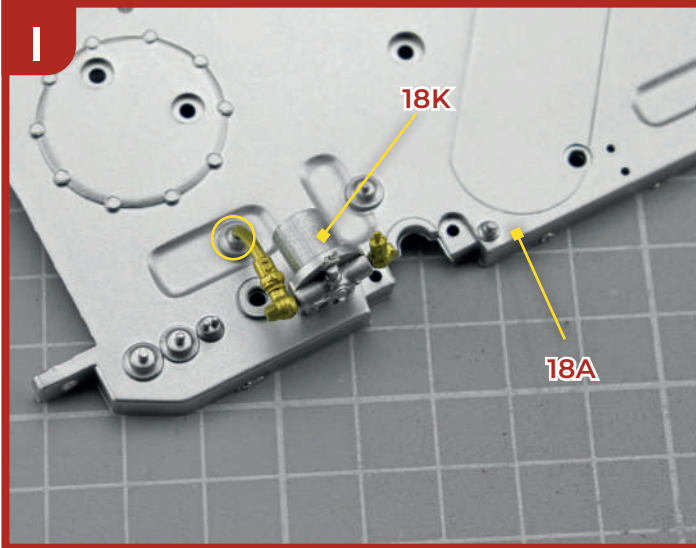
18A	Firewall	18I	Oil hoses connector 6	CP	2 screws (1.7 x 3 x 5 mm)
18B	Plate	18J	Oil hose 9	DP	5 screws (1.2 x 3 mm)
18C	Oil hose 7	18K	Fuel filter		
18D	Starter wire	18L	Fuel line 3		
18E	Oil radiator hose	18M	Fuel lines connector 1		
18F	Oil radiator connector	18N	Fuel line 4		
18G	Oil hose 8	18O	Oil hoses connector 7		
18H	Oil hoses connector 5				



Stage 18: Adding Detail to the Firewall and Connecting Fuel Lines

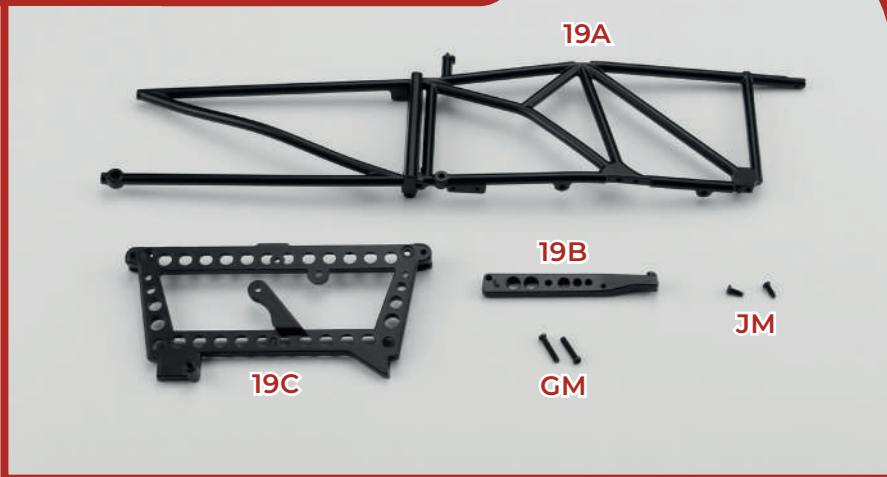


Stage 18: Adding Detail to the Firewall and Connecting Fuel Lines



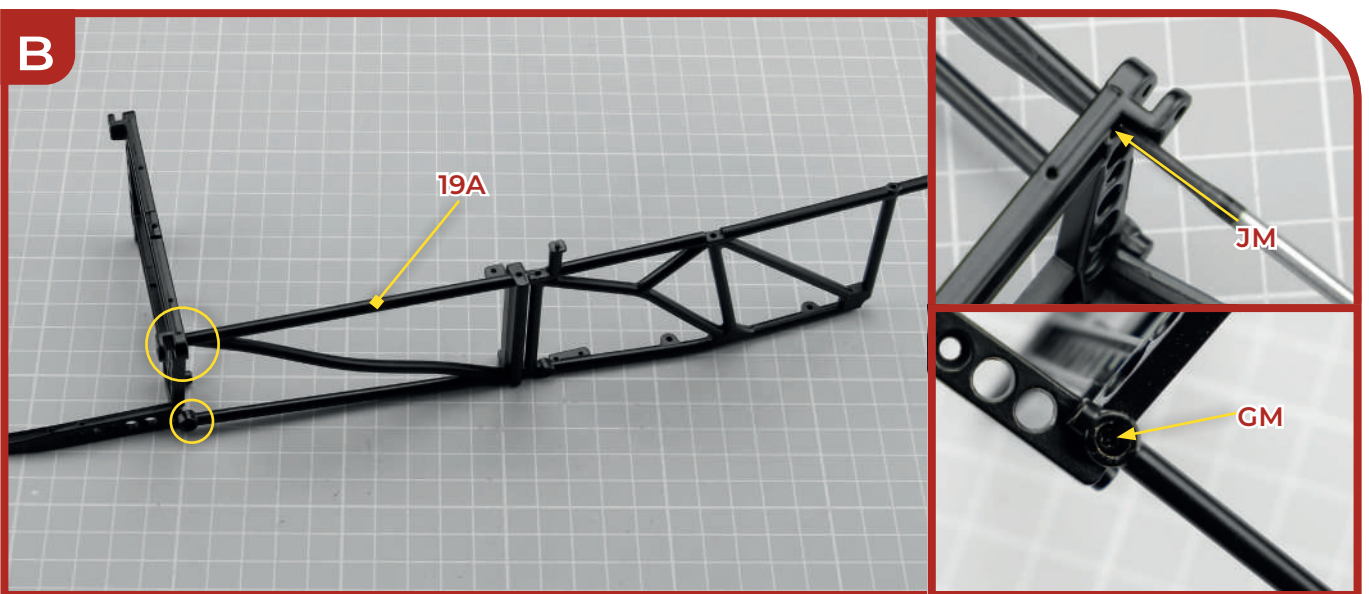
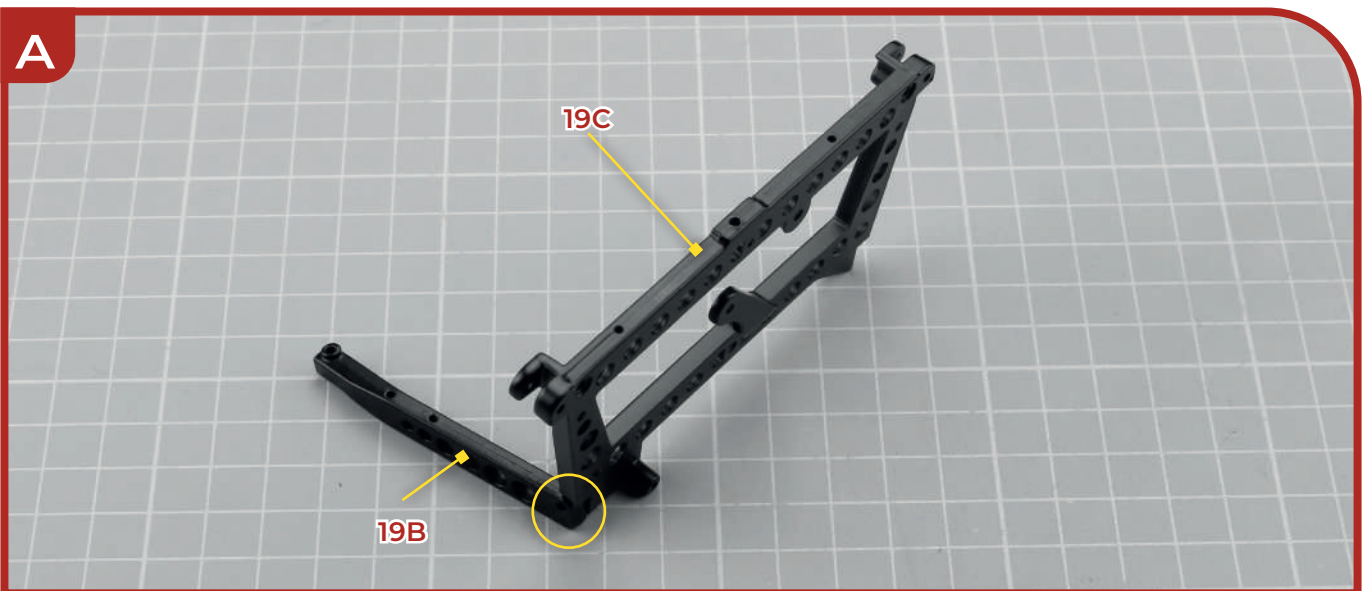
Stage 19: Building the Left Chassis Section

2-19# PARTS LIST



19A Chassis – left section
19B Radiator support (L)
19C Front suspension support 1

GM 2 screws (2 x 10 mm)
JM 2 screws (2 x 5 mm)



Stage 20: Attaching the Rear Axle Support

2-20# PARTS LIST



DM

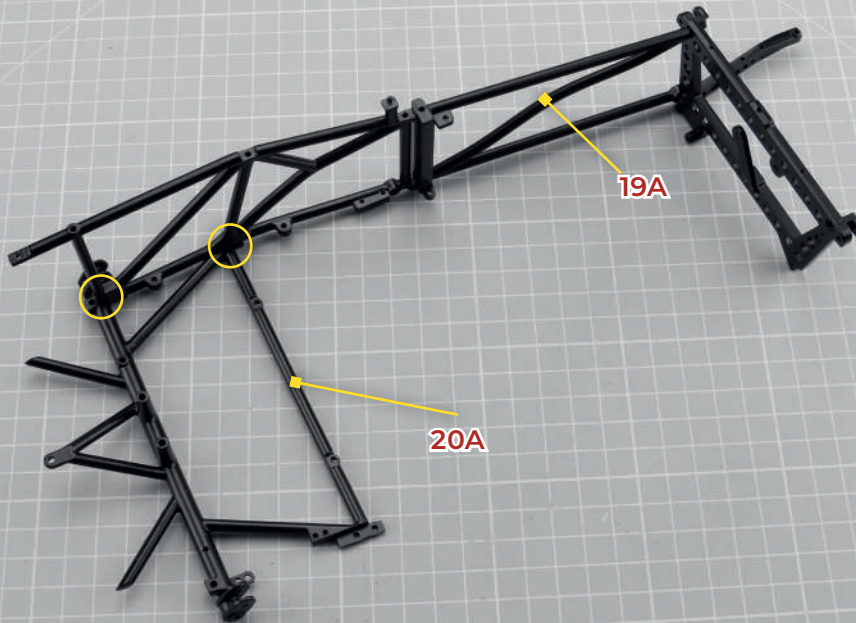
JM

20A Rear axle support

DM 2 screws (2 x 4 mm)

JM 3 screws (2 x 5 mm)

A

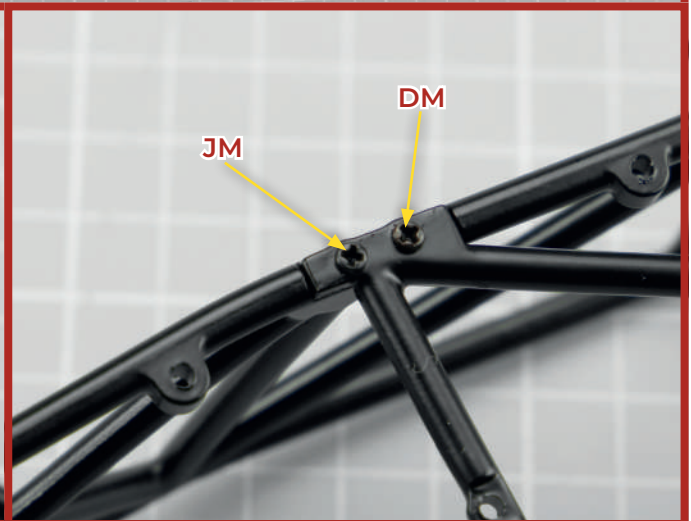


19A

20A



JM

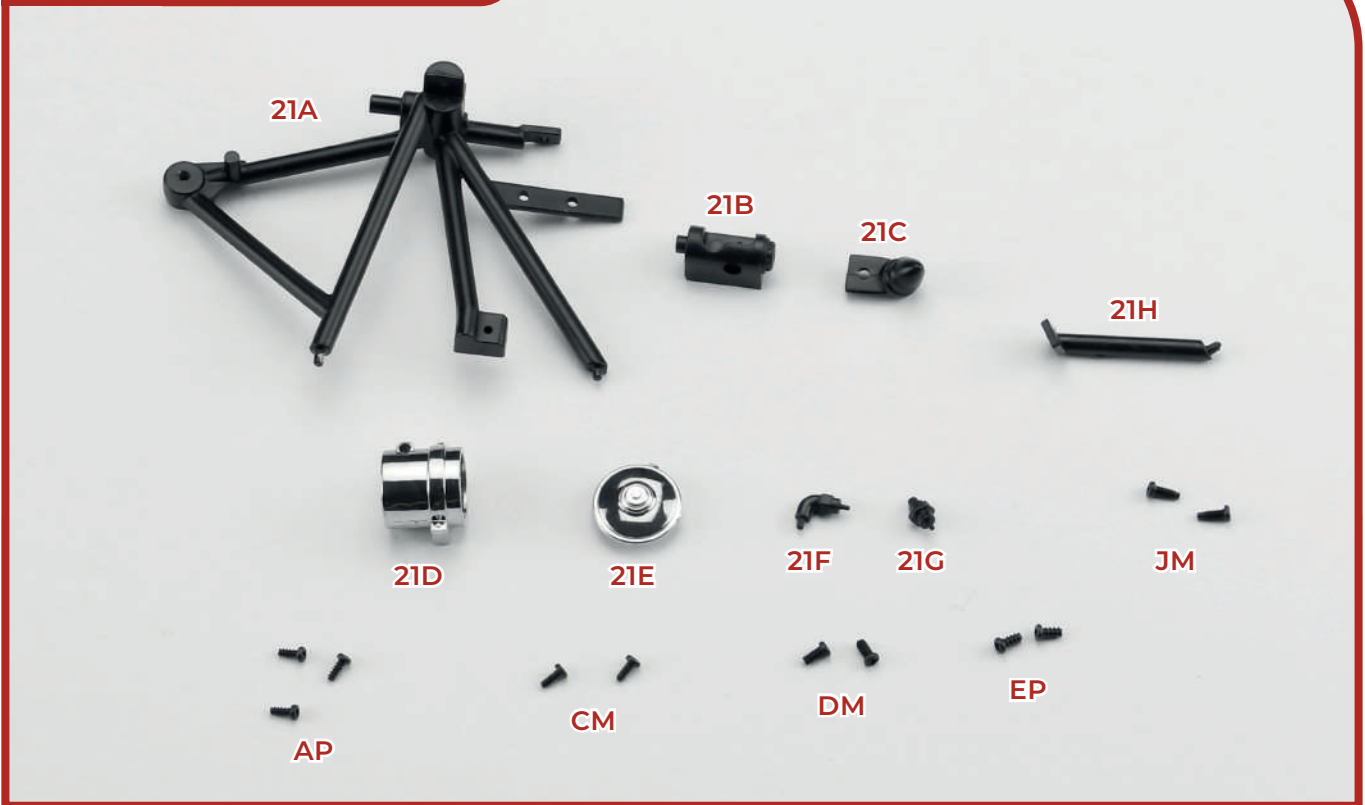


DM

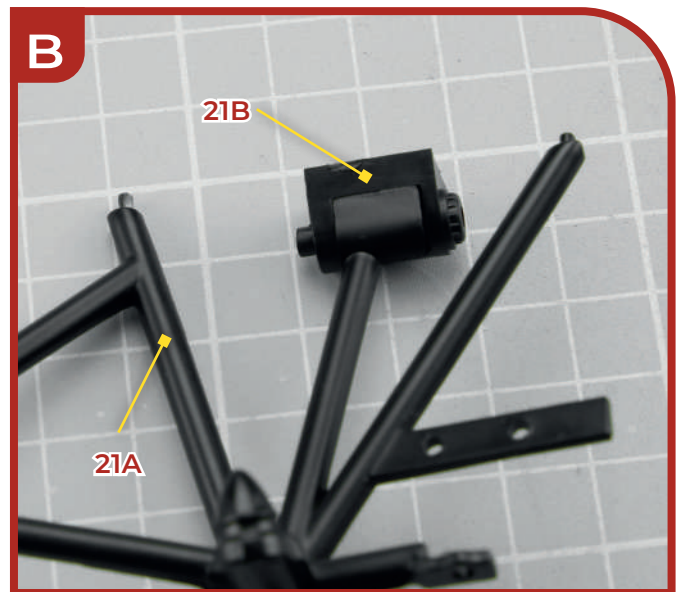
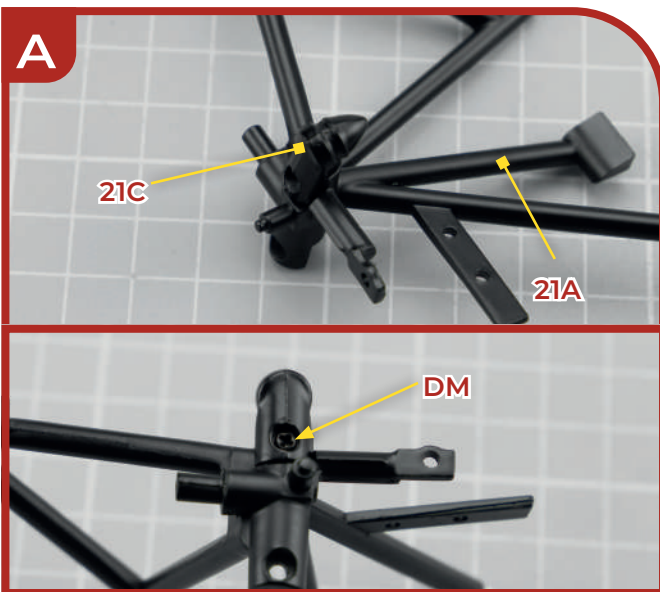
JM

Stage 21: Fitting the Rear Left Chassis Section

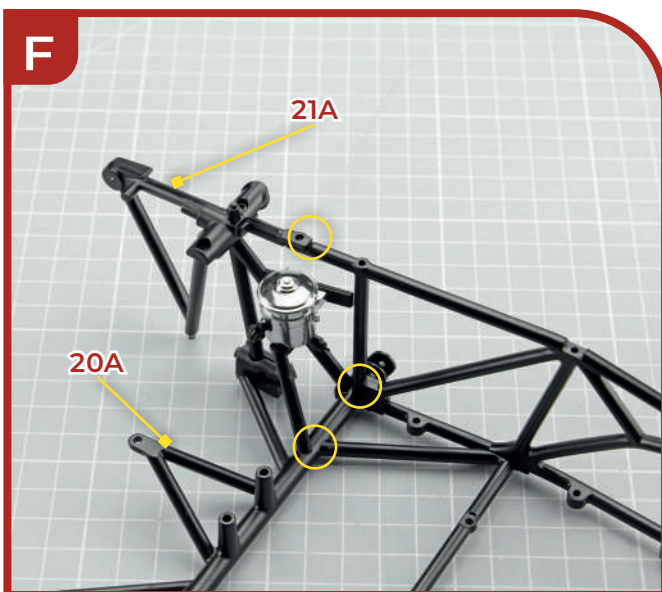
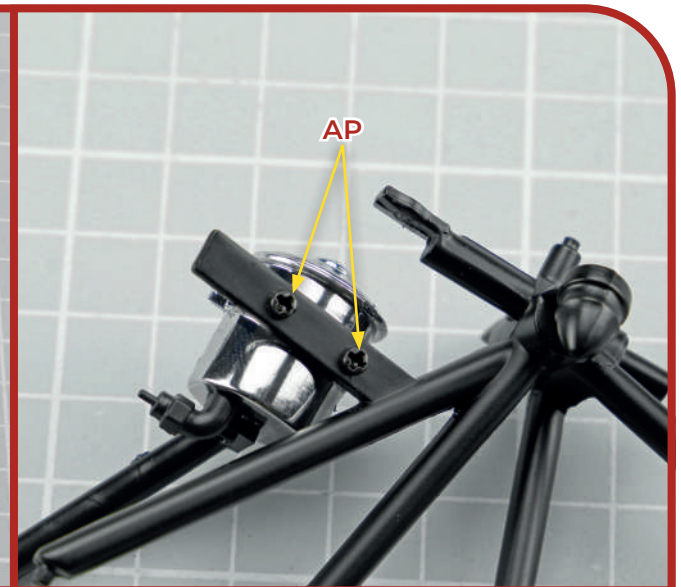
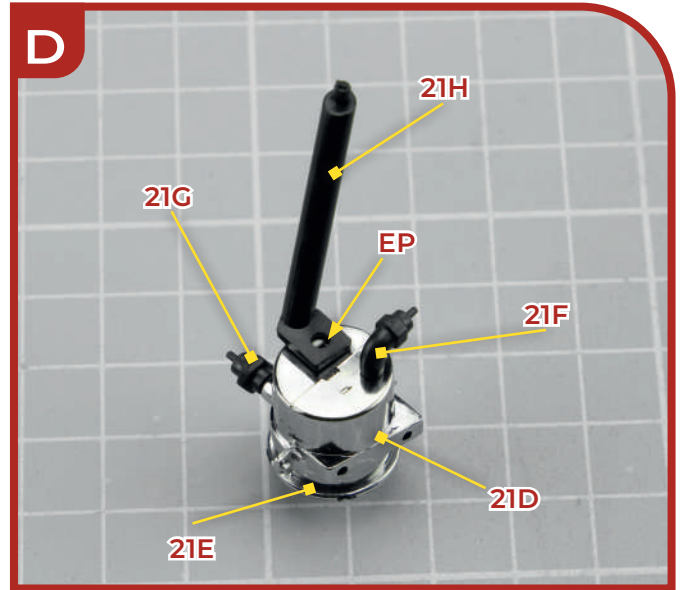
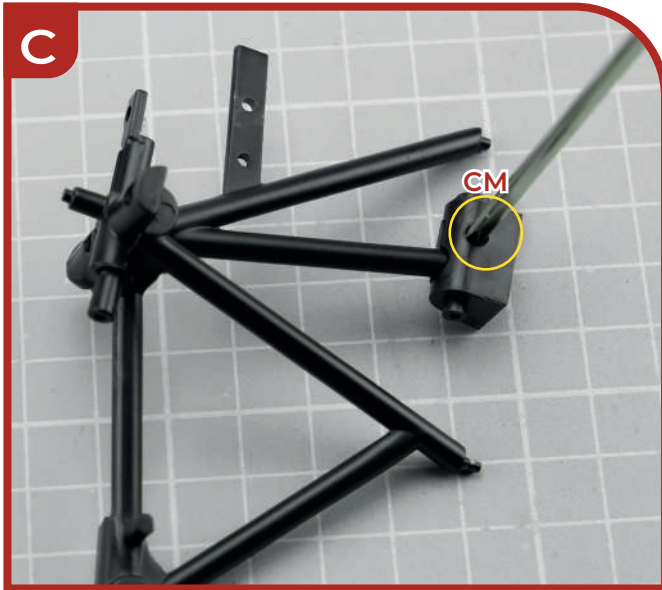
2-21# PARTS LIST



21A	Chassis – rear left section	21E	Reservoir cover	AP	3 screws (1.7 x 4 mm)
21B	Torsion bar support bushing 1	21F	Fuel lines connector 2	EP	2 screws (2 x 4 mm)
21C	Suspension lock 1	21G	Fuel lines connector 3	CM	2 screws (1.7 x 4 mm)
21D	Compensating reservoir	21H	Reservoir support	DM	2 screws (2 x 4 mm)
				JM	2 screws (2 x 5 mm)

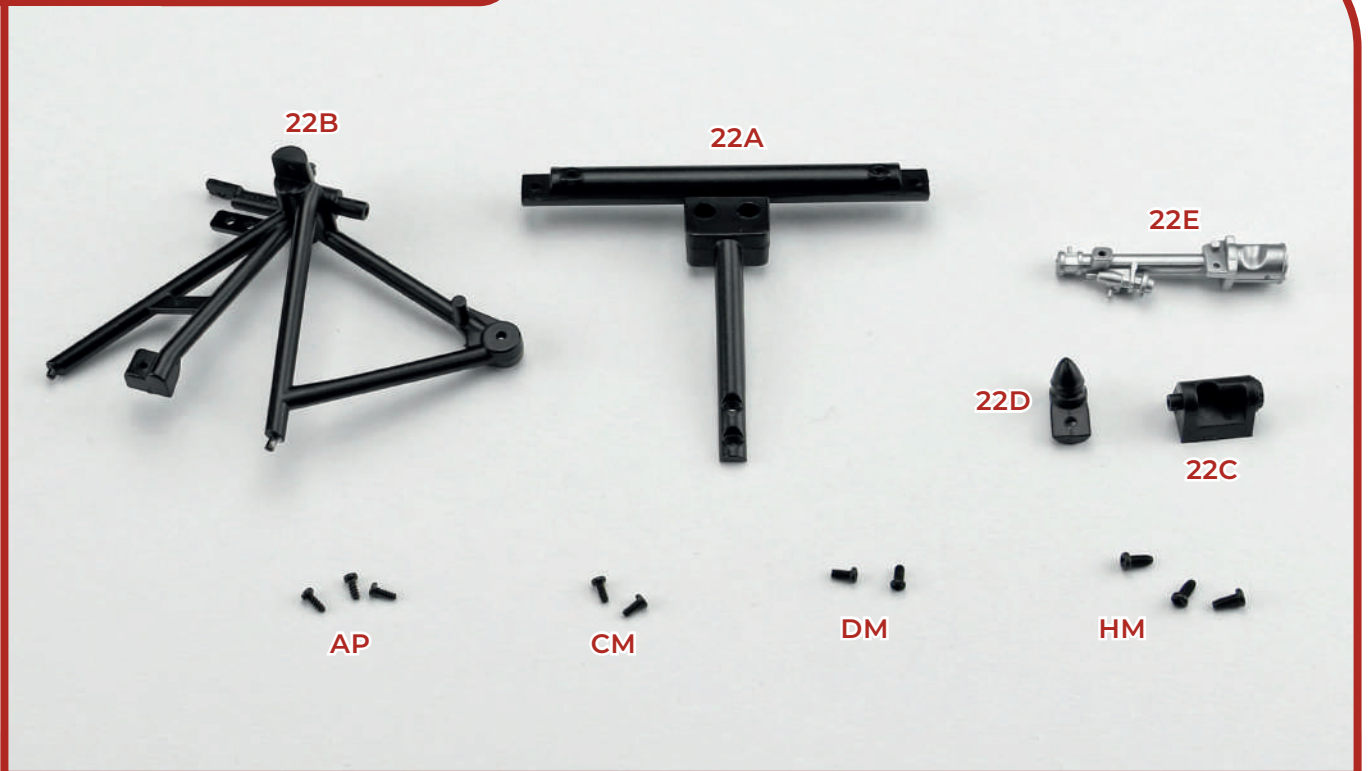


Stage 21: Fitting the Rear Left Chassis Section

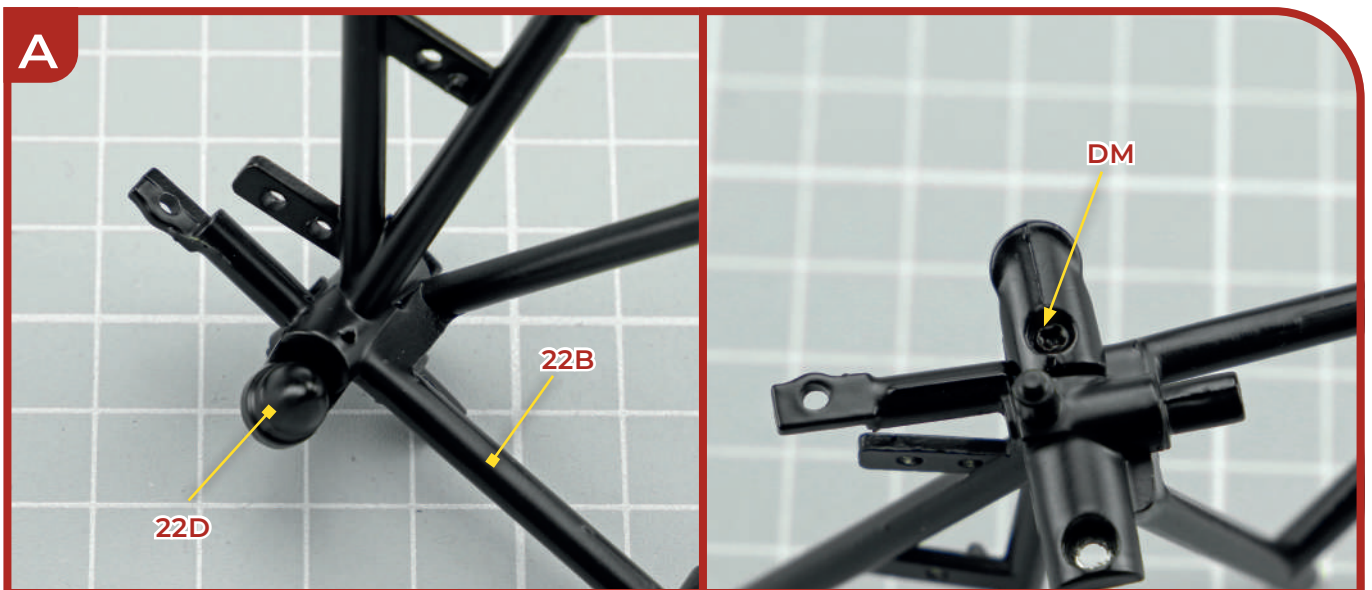


Stage 22: Fitting the Rear Right Chassis Section

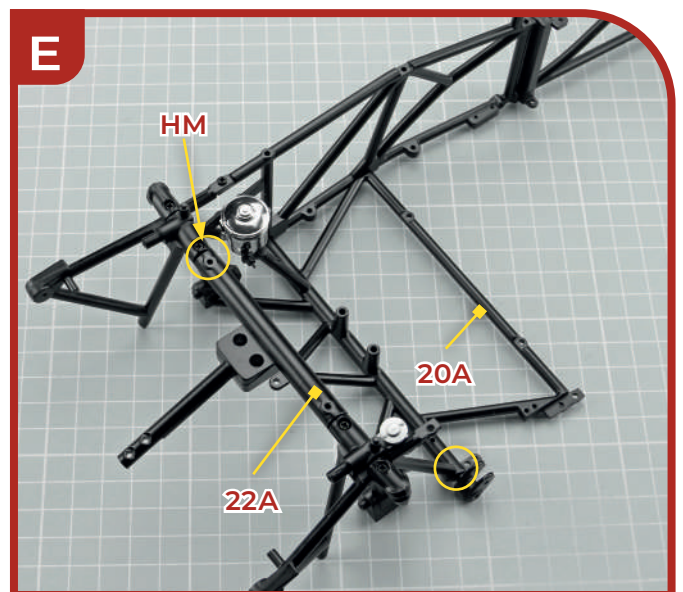
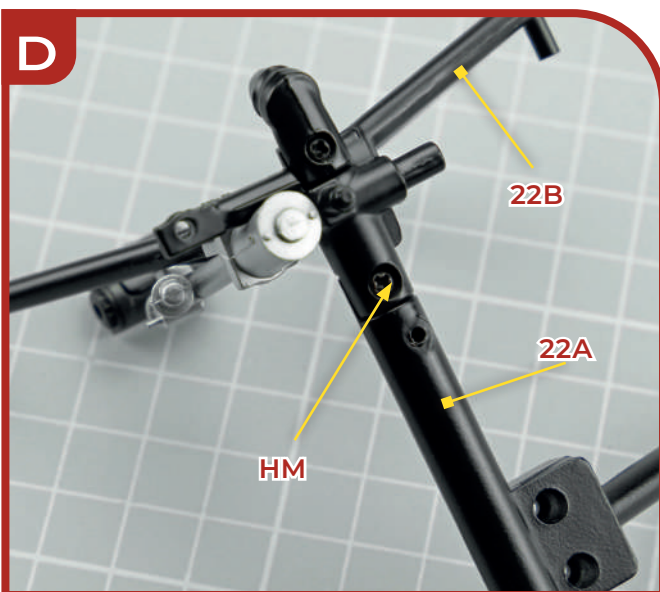
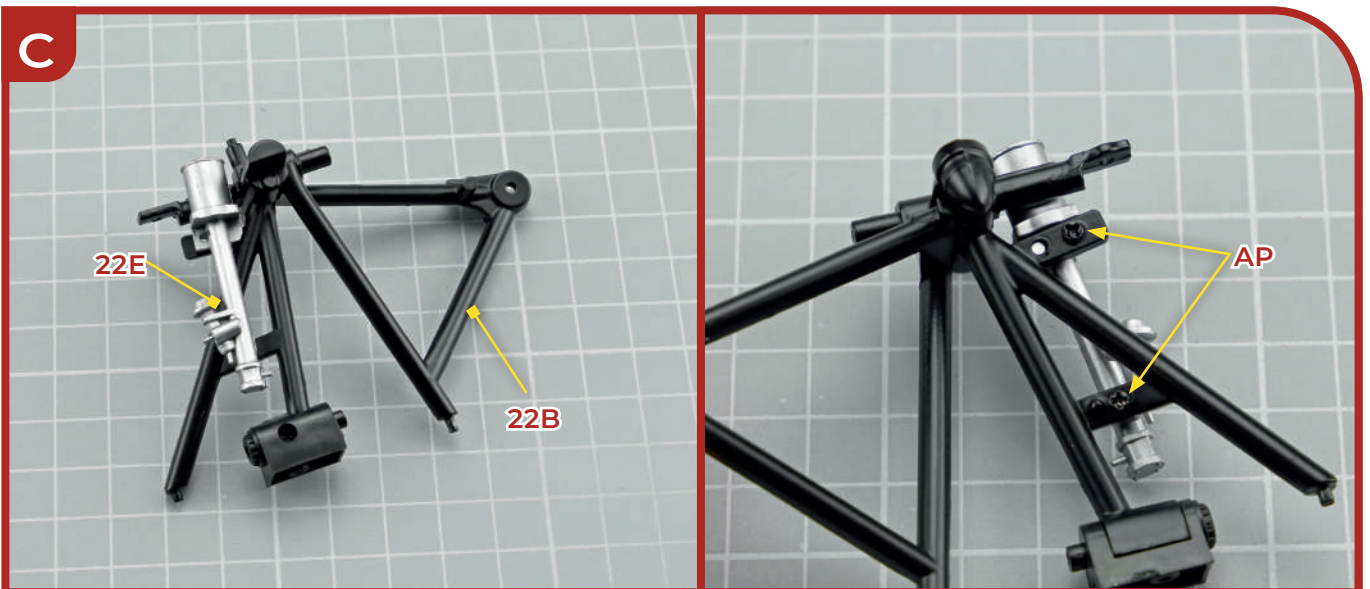
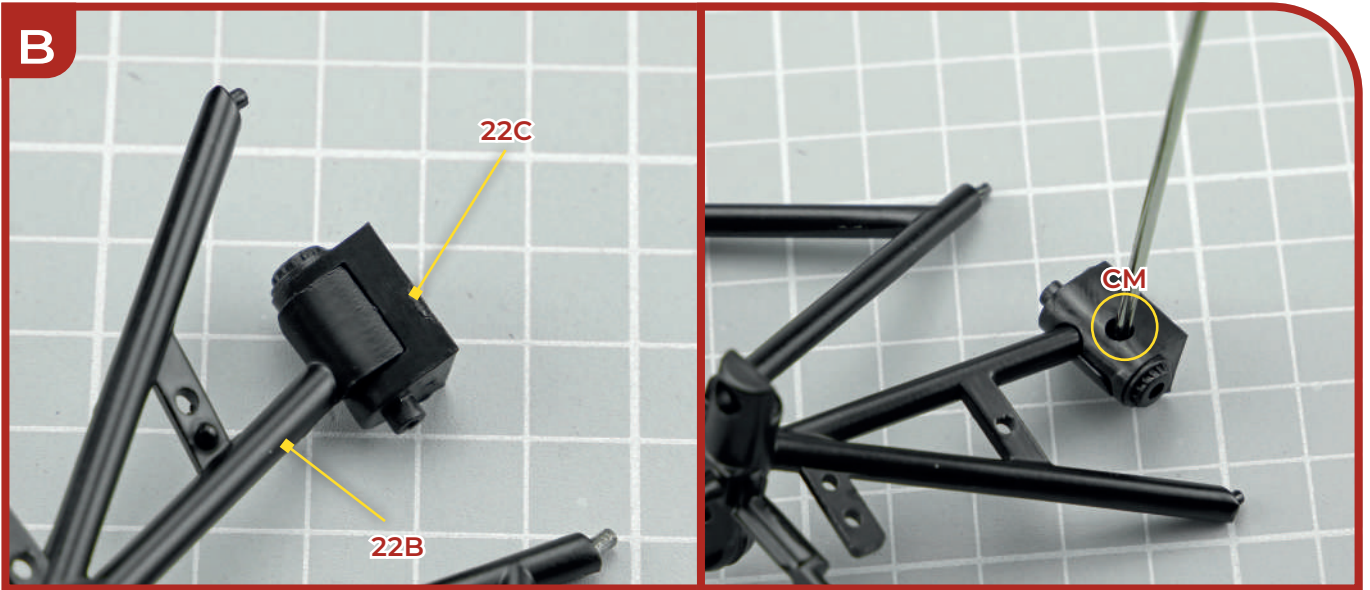
2-22# PARTS LIST



- | | | | |
|------------|-------------------------------|-----------|-----------------------|
| 22A | Rear crossbeam | AP | 3 screws (1.7 x 4 mm) |
| 22B | Chassis – rear right section | CM | 2 screws (1.7 x 4 mm) |
| 22C | Torsion bar support bushing 2 | DM | 2 screws (2 x 4 mm) |
| 22D | Suspension lock 2 | HM | 3 screws (2.3 x 5 mm) |
| 22E | Fuel pump | | |

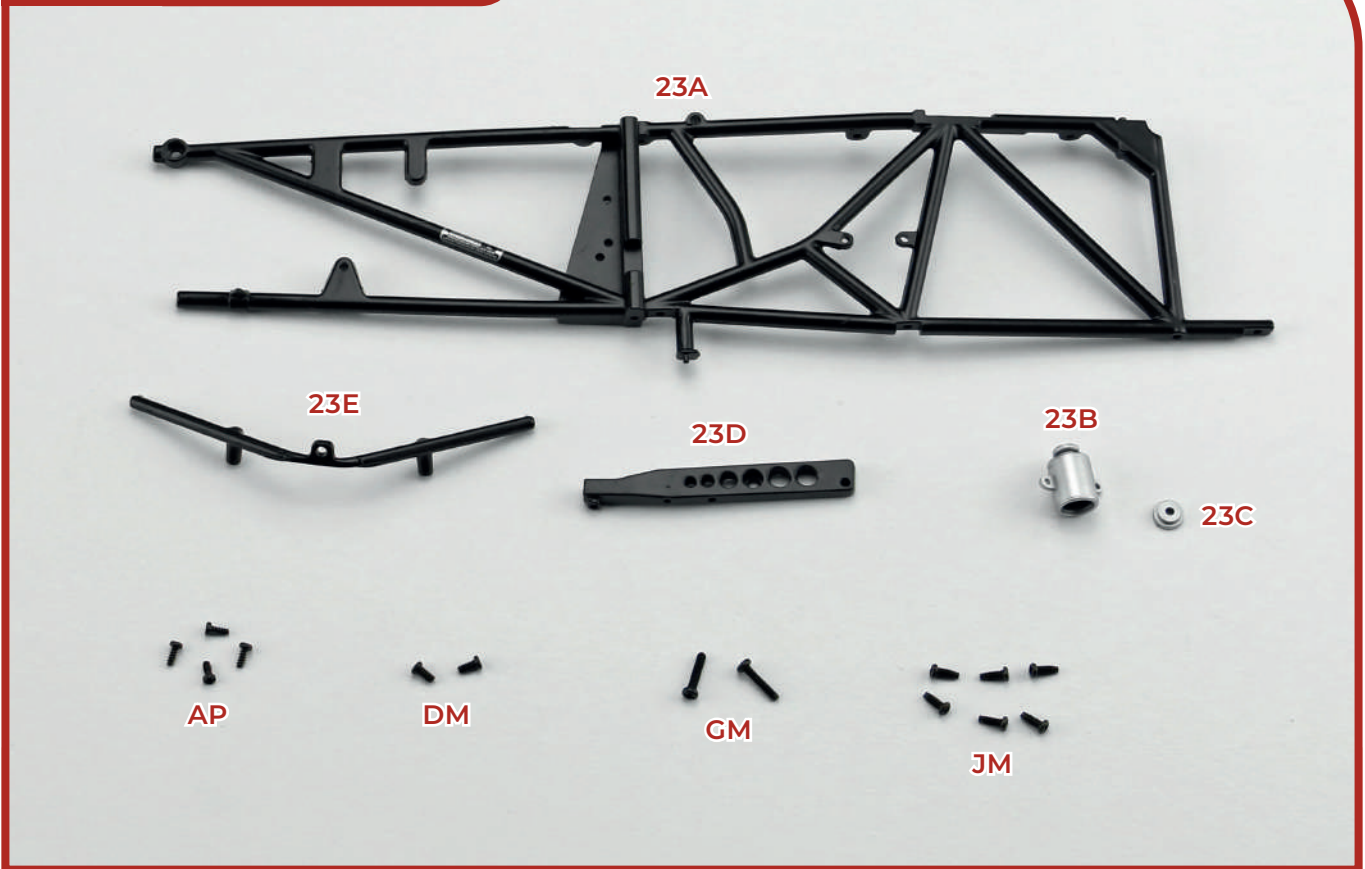


Stage 22: Fitting the Rear Right Chassis Section



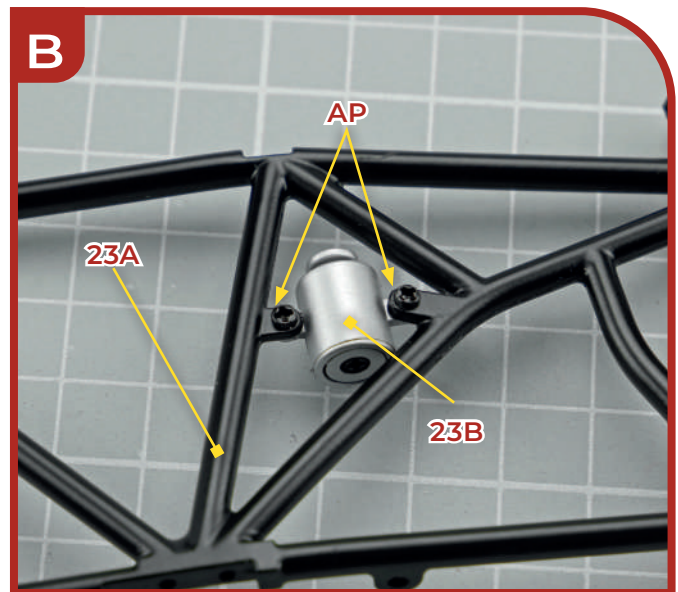
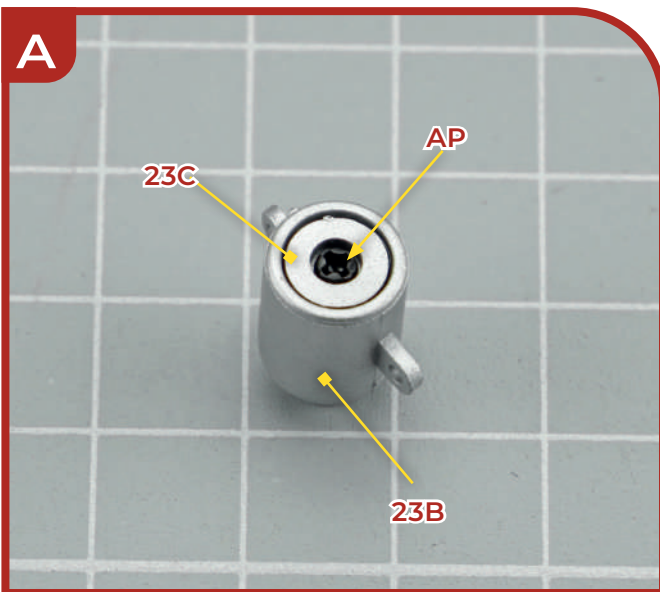
Stage 23: Attaching the Right Chassis Section

2-23# PARTS LIST

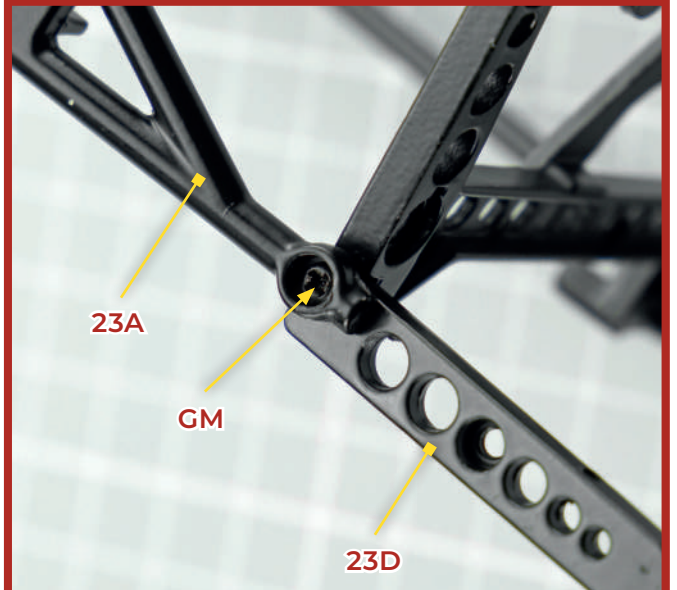
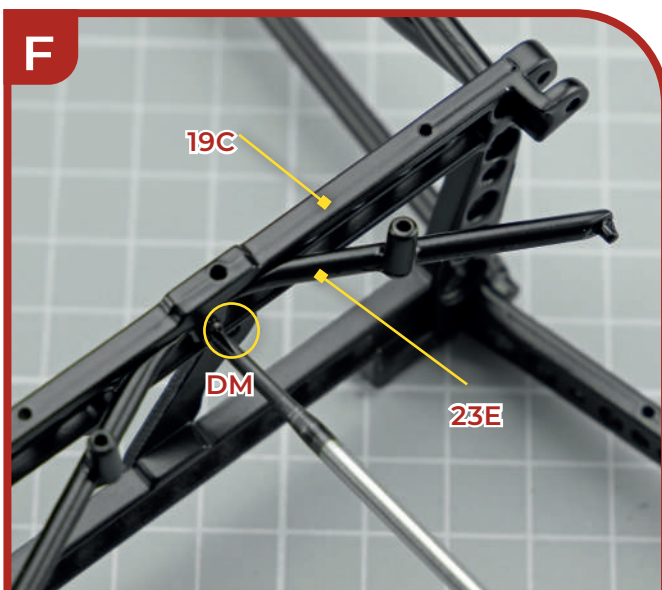
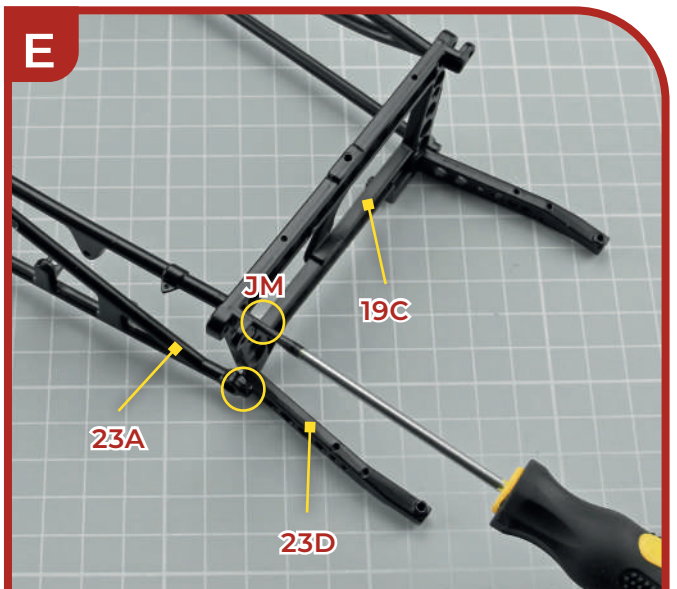
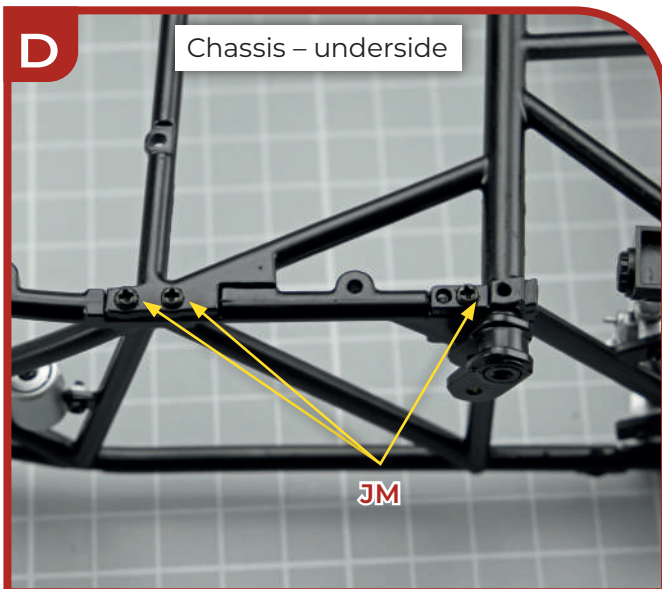
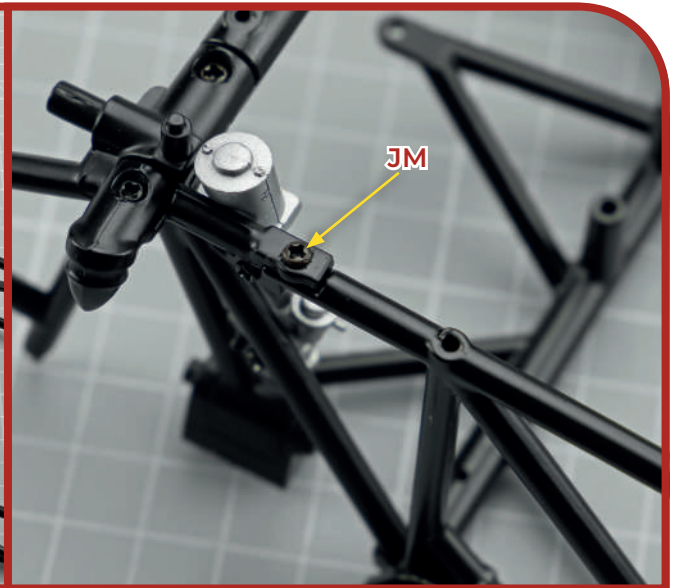
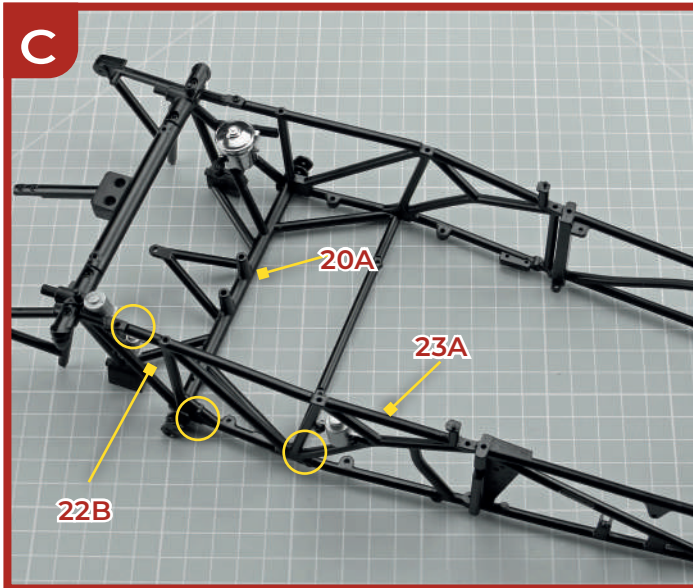


- 23A** Chassis – right section
- 23B** Brake fluid reservoir
- 23C** Reservoir base
- 23D** Radiator support (R)
- 23E** Front crossbeam

- AP** 4 screws (1.7 x 4 mm)
- DM** 2 screws (2 x 4 mm)
- GM** 2 screws (2 x 10 mm)
- JM** 6 screws (2 x 5 mm)

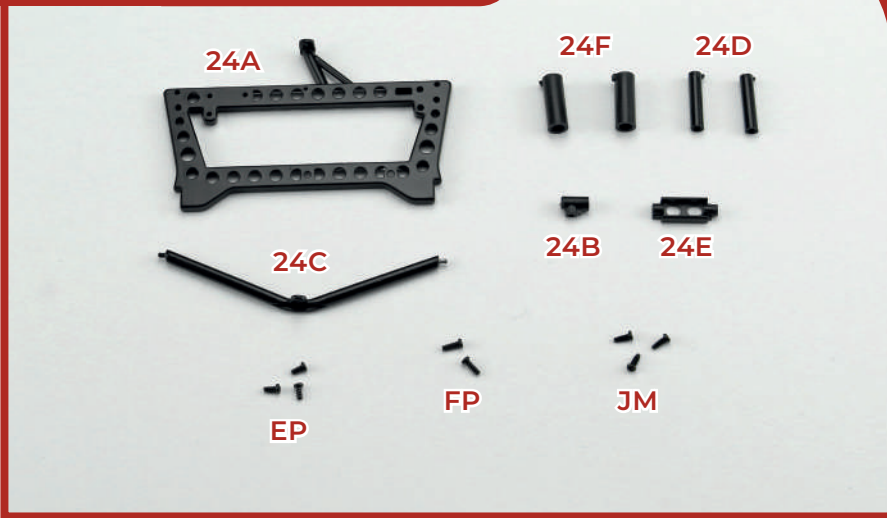


Stage 23: Attaching the Right Chassis Section



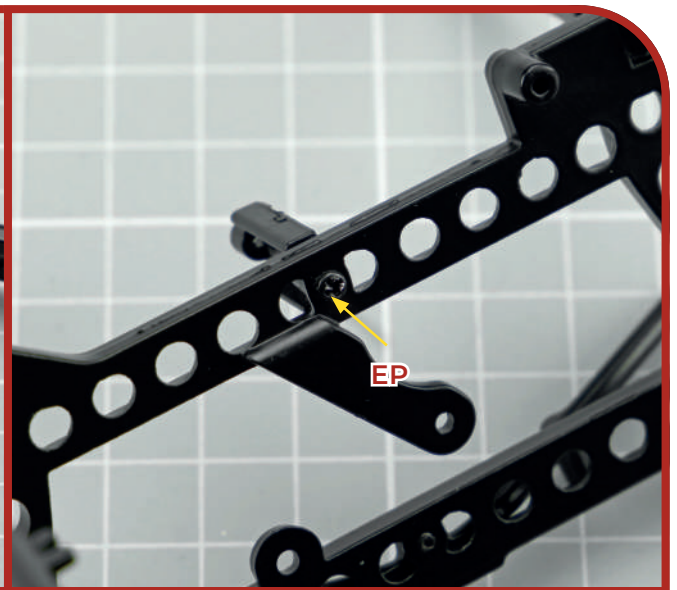
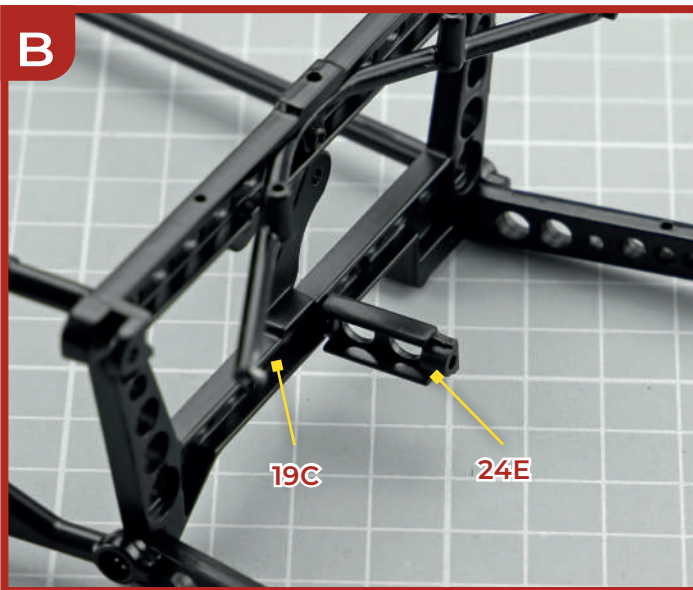
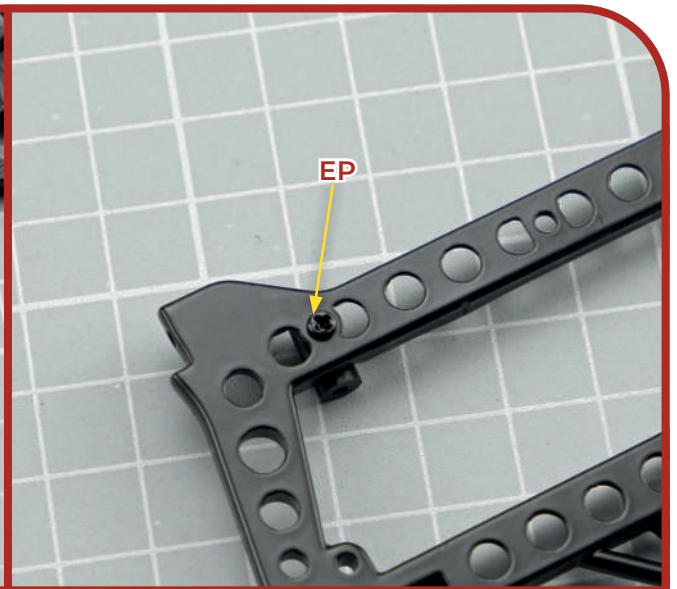
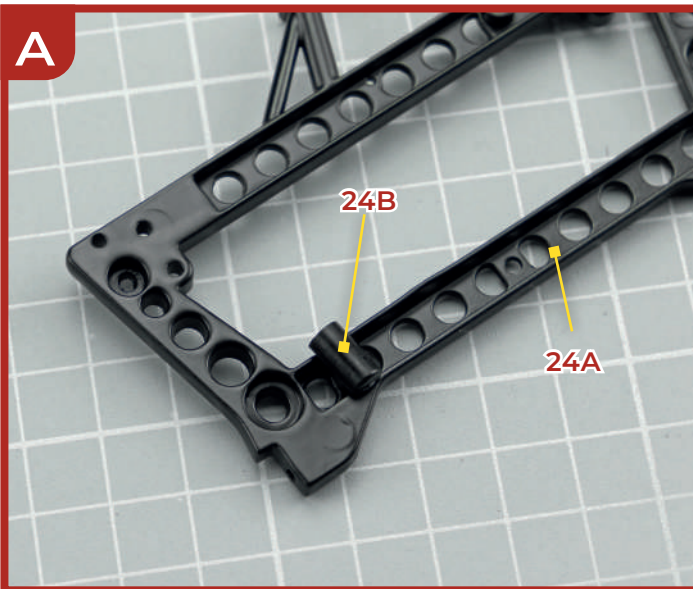
Stage 24: Fitting the Front Suspension and Steering Support

2-24# PARTS LIST

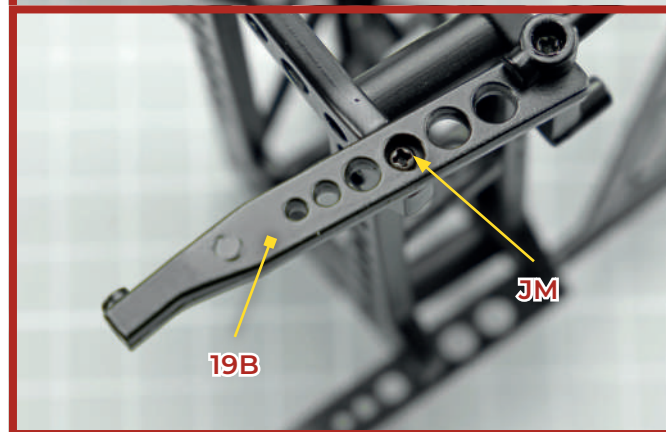
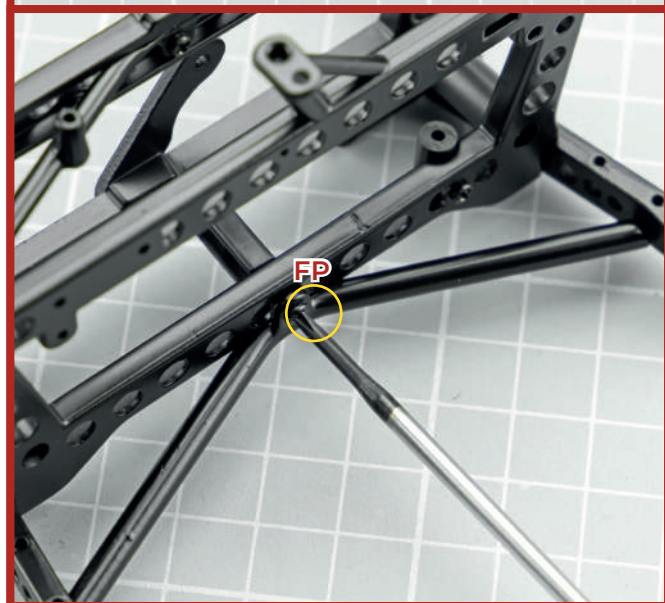
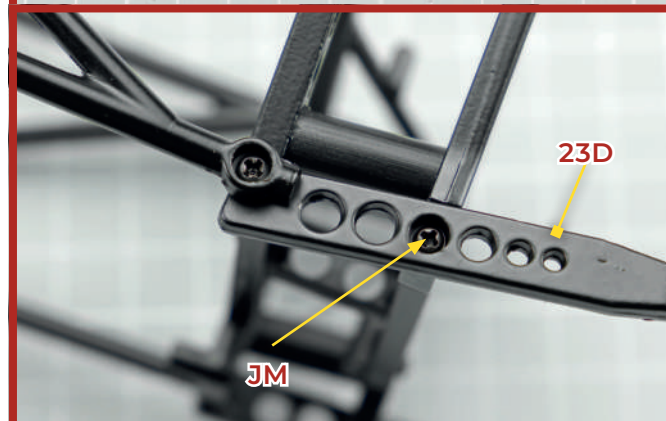
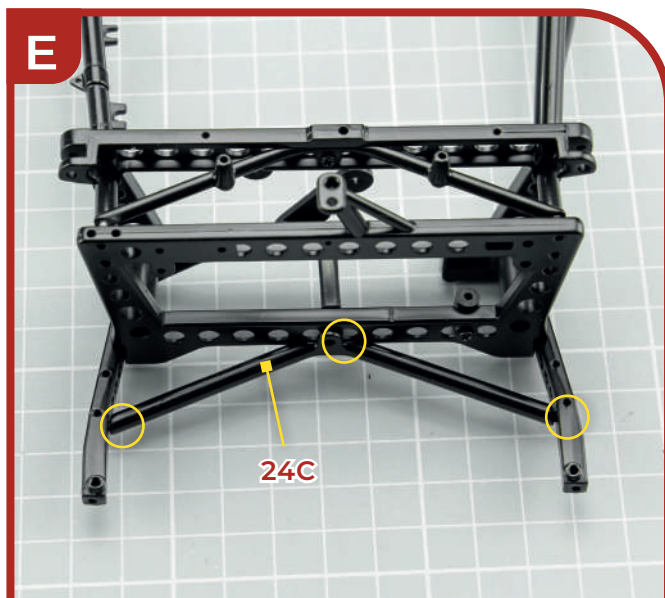
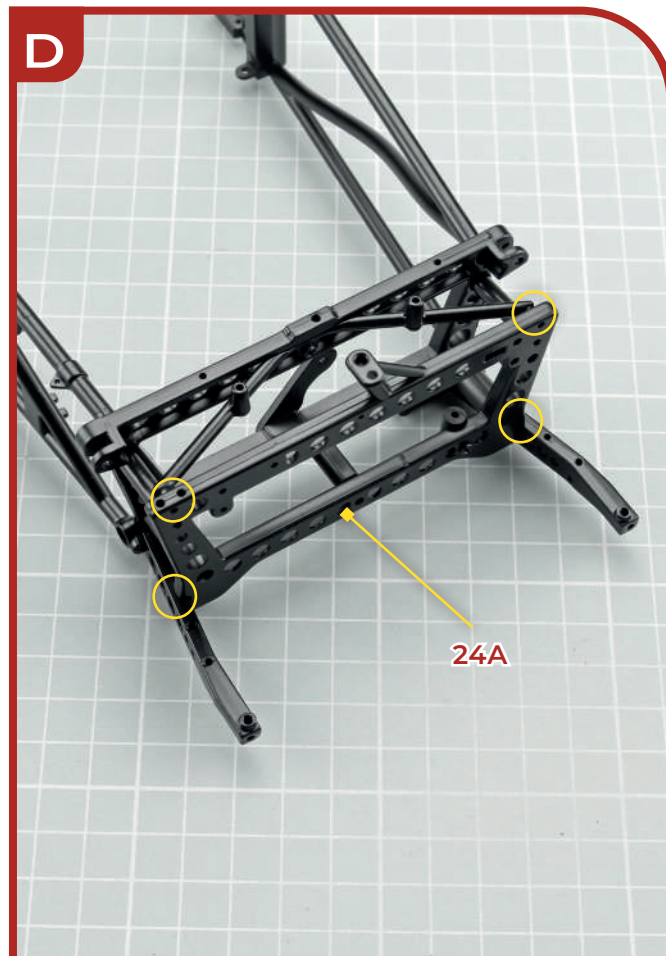
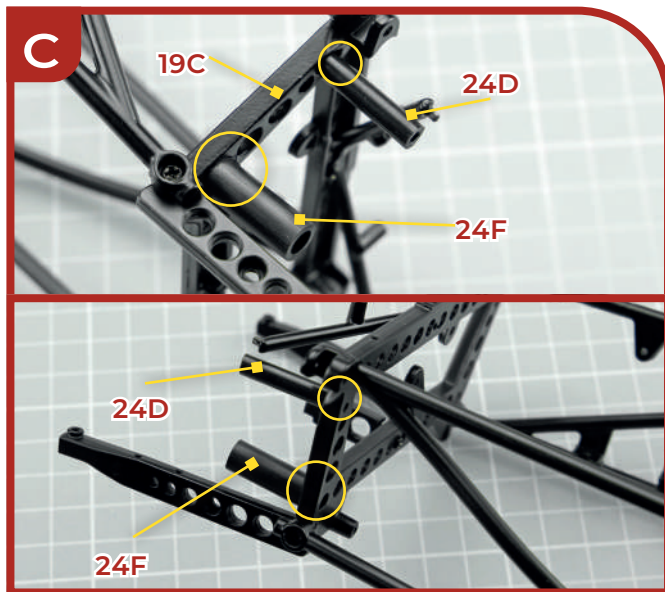


- 24A Front suspension support 2
- 24B Steering support
- 24C Front lower crossbeam
- 24D Front suspension upper arm axles (x2)
- 24E Reinforcement panel
- 24F Front torsion bar support bushings (x2)

- EP 3 screws (2 x 4 mm)
- FP 2 screws (2 x 6 mm)
- JM 3 screws (2 x 5 mm)

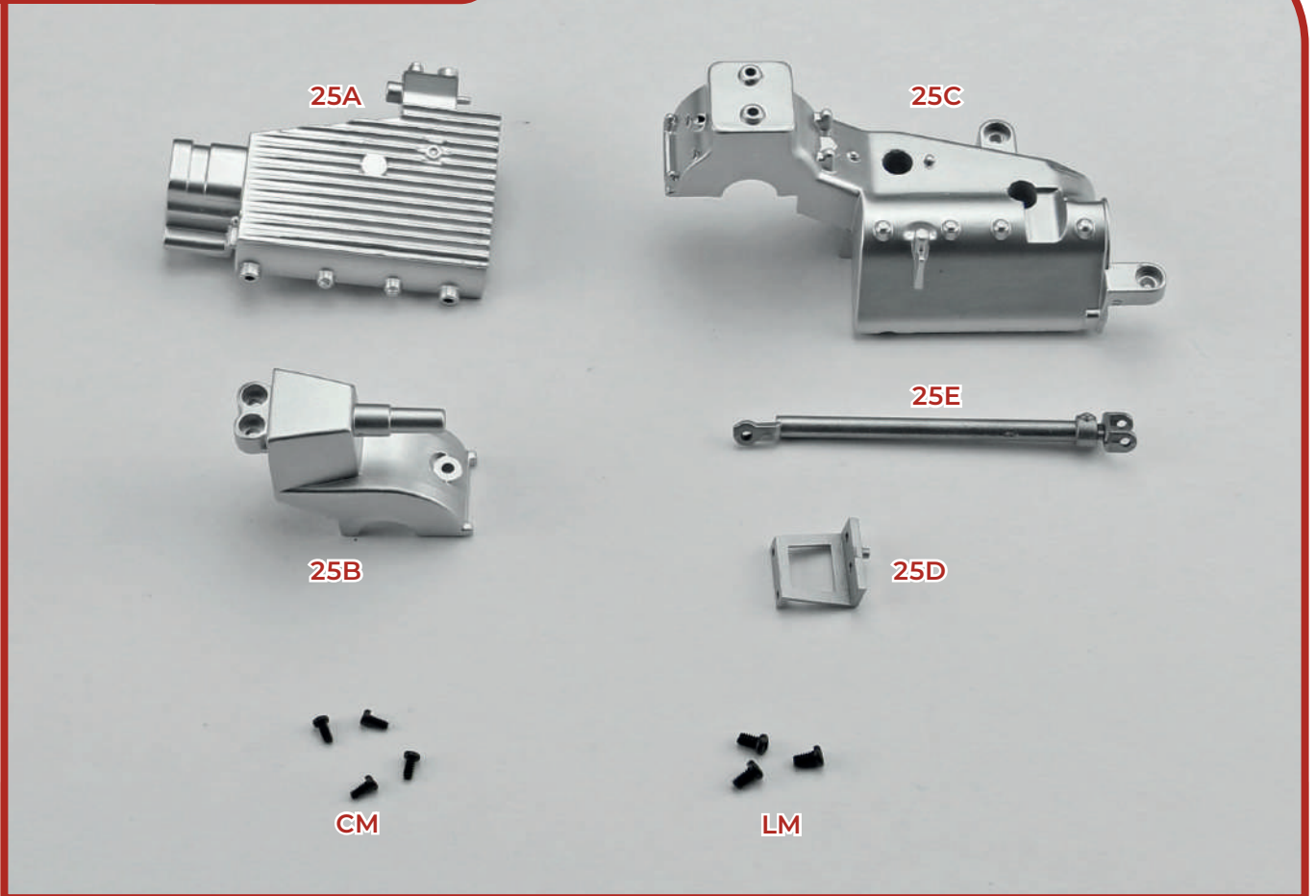


Stage 24: Fitting the Front Suspension and Steering Support



Stage 25: Assembling the Gearbox

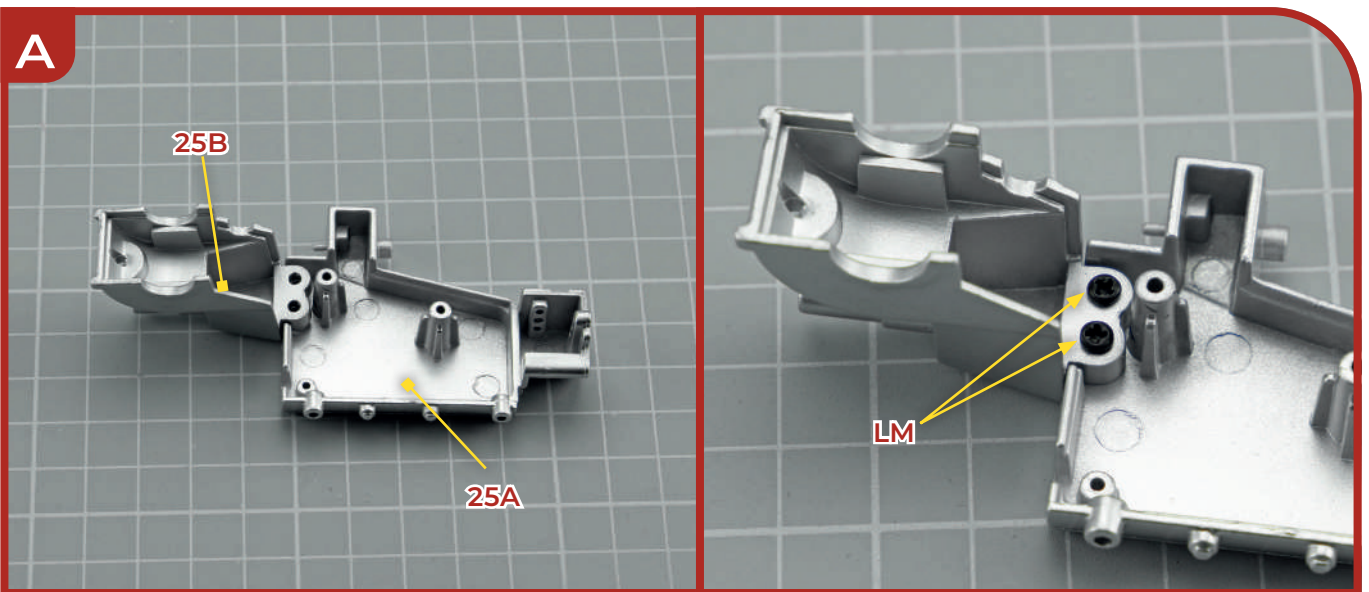
2-25# PARTS LIST



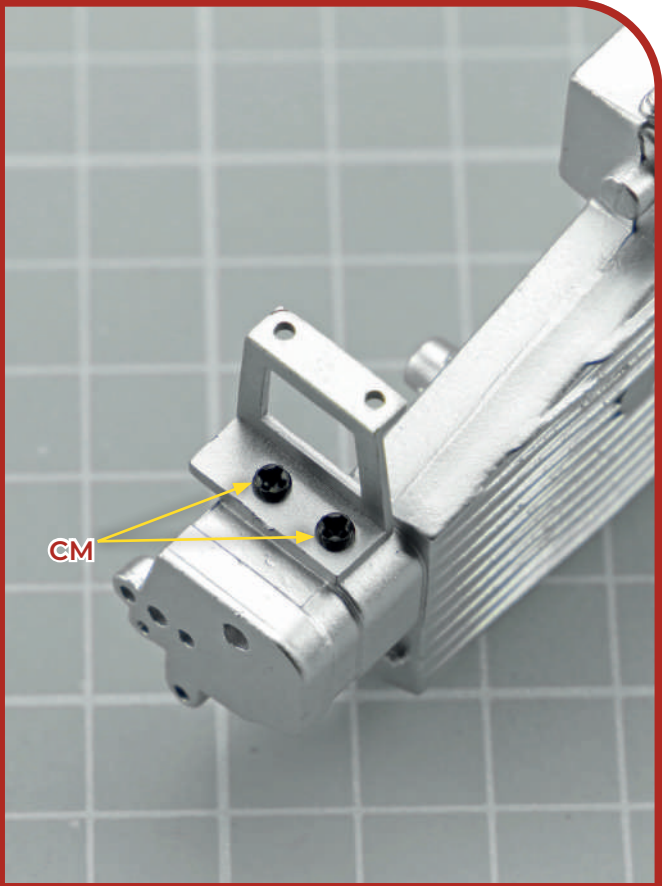
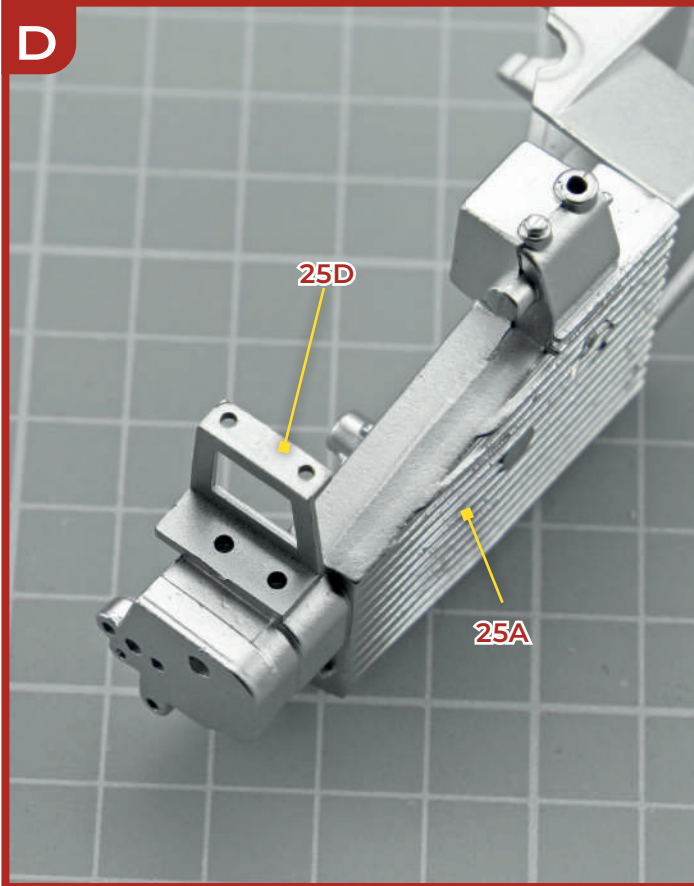
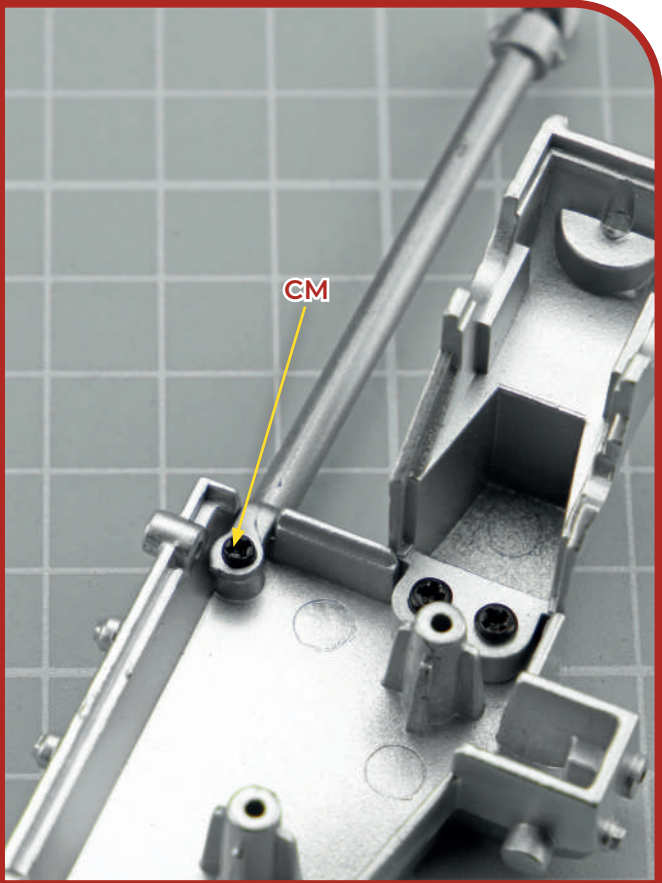
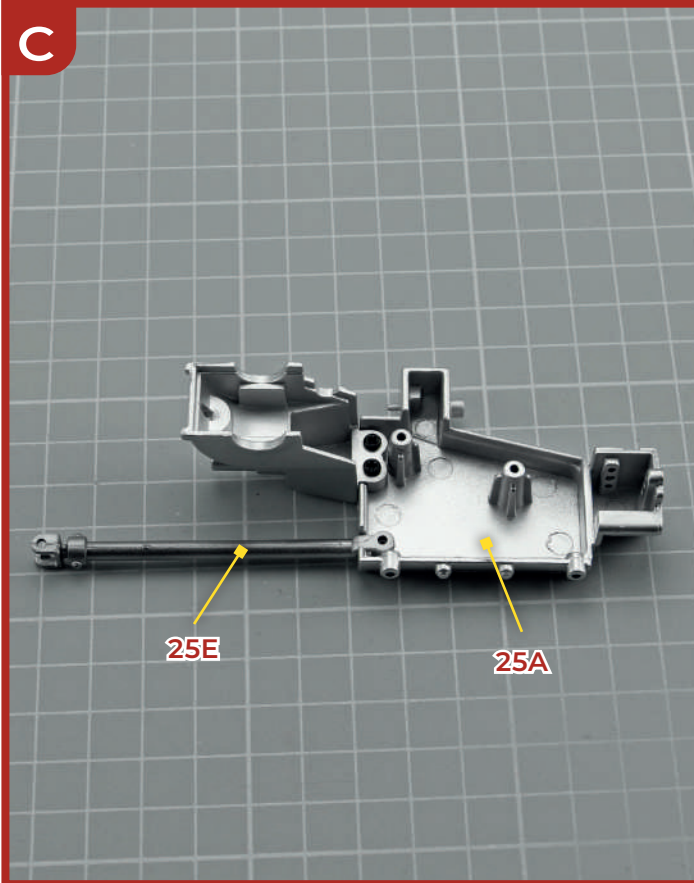
25A Gearbox part A
25B Gearbox part B
25C Gearbox part C

25D Gearbox rear support
25E Rear transmission shaft

CM 4 screws (1.7 x 4 mm)
LM 3 screws (2.3 x 4 mm)

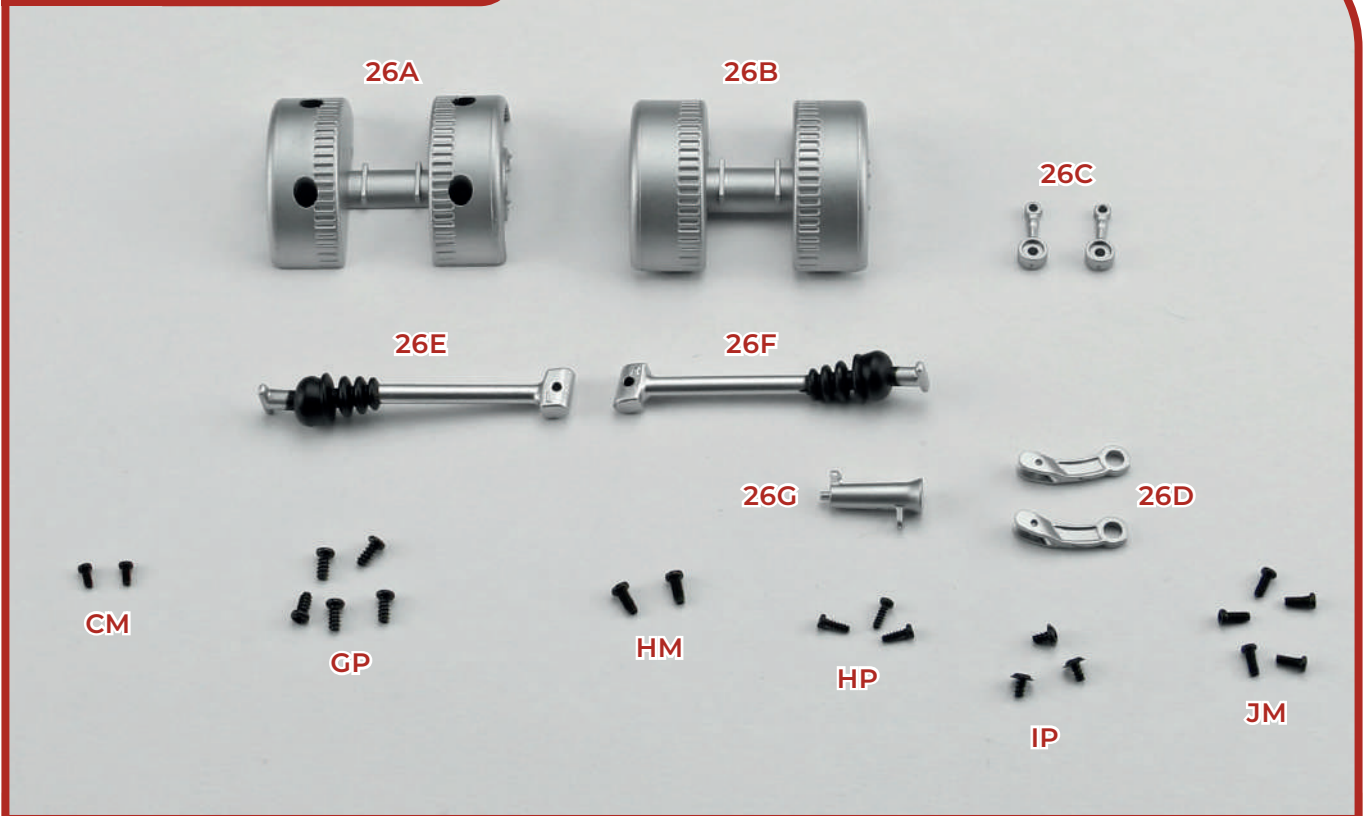


Stage 25: Assembling the Gearbox



Stage 26: Building the Rear Brake Drums and Connecting the Gearbox

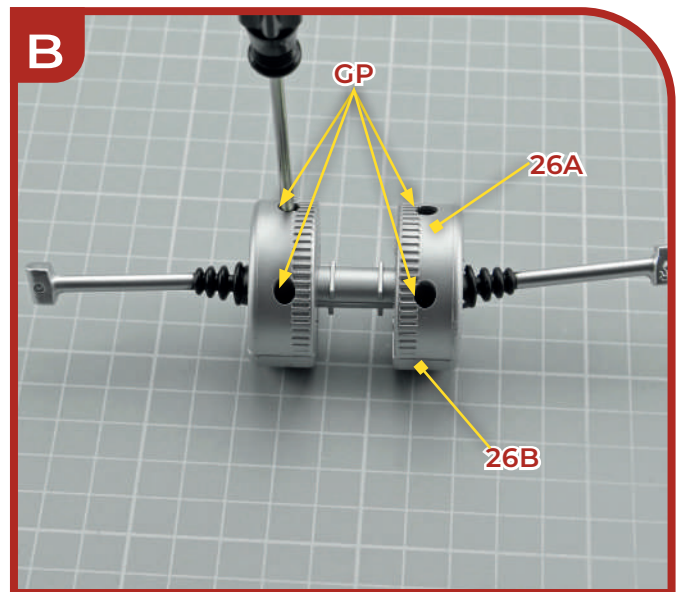
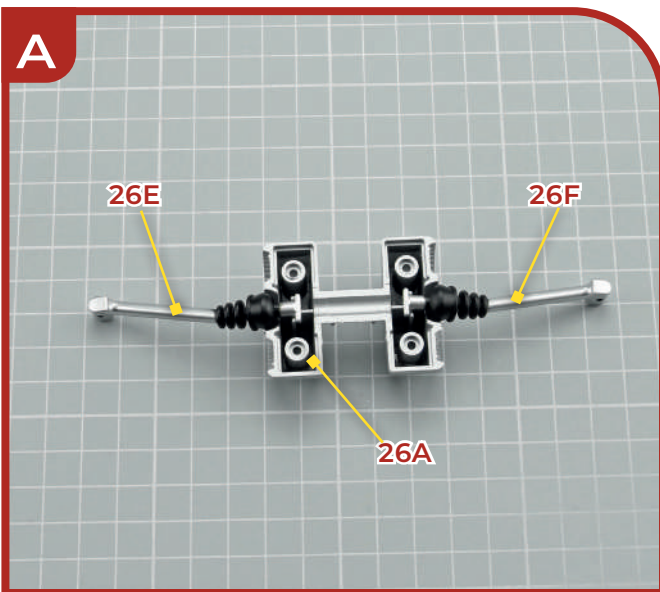
2-26# PARTS LIST



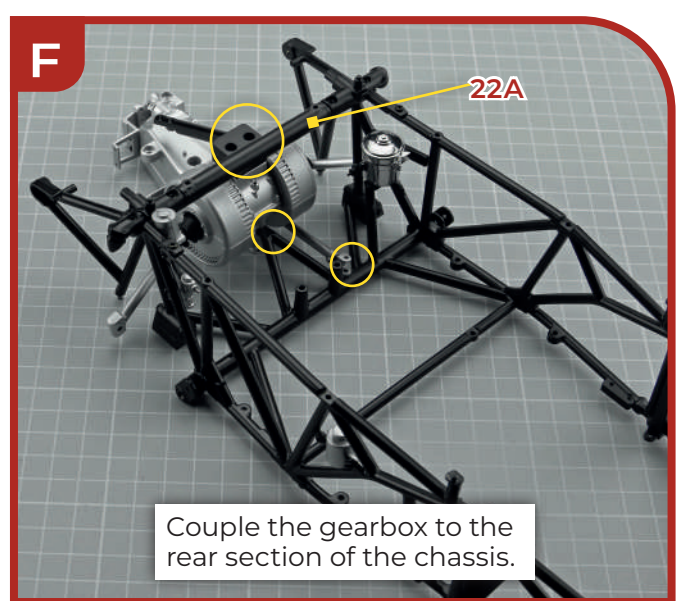
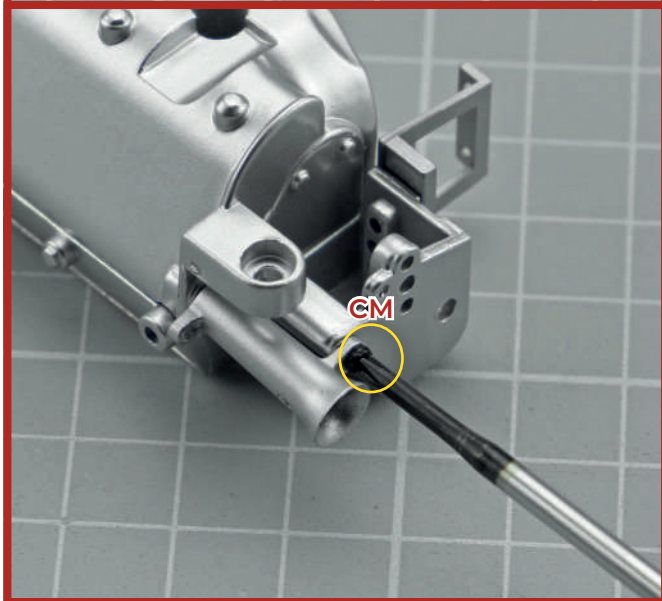
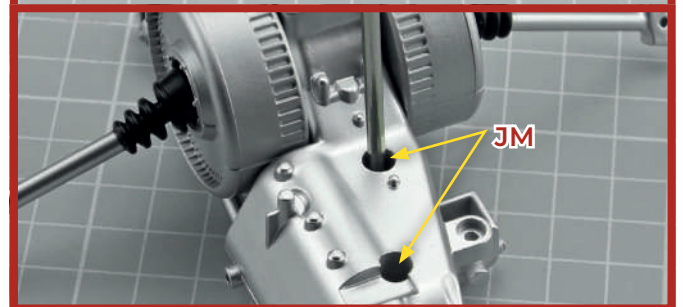
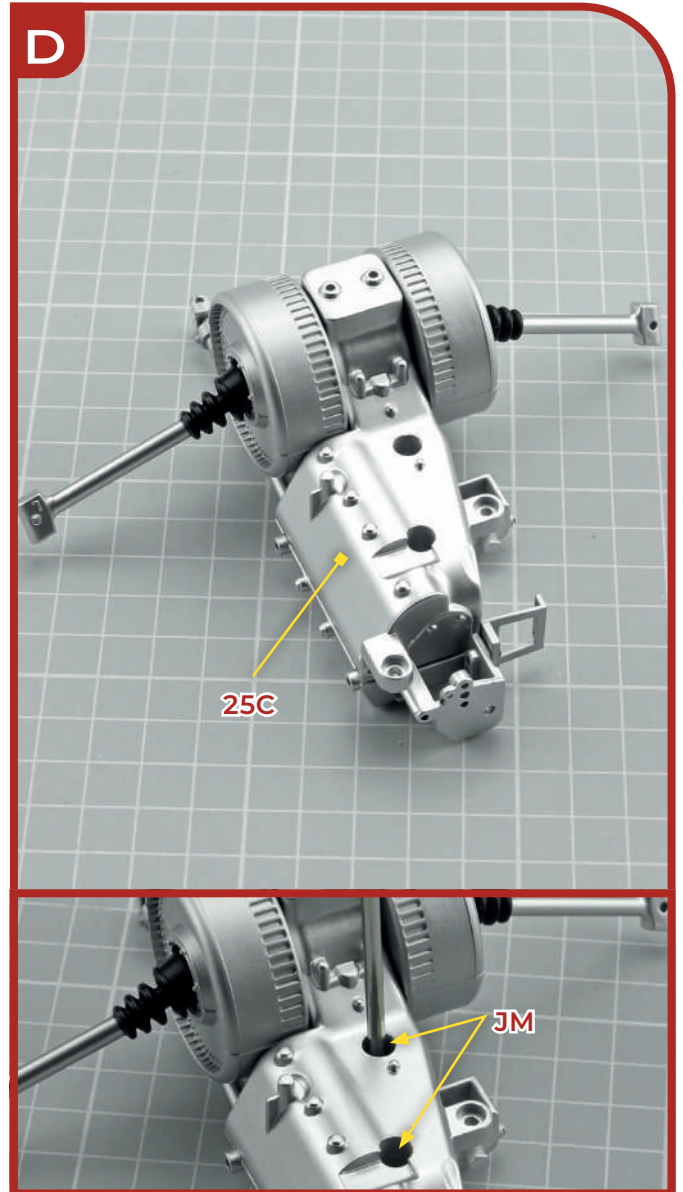
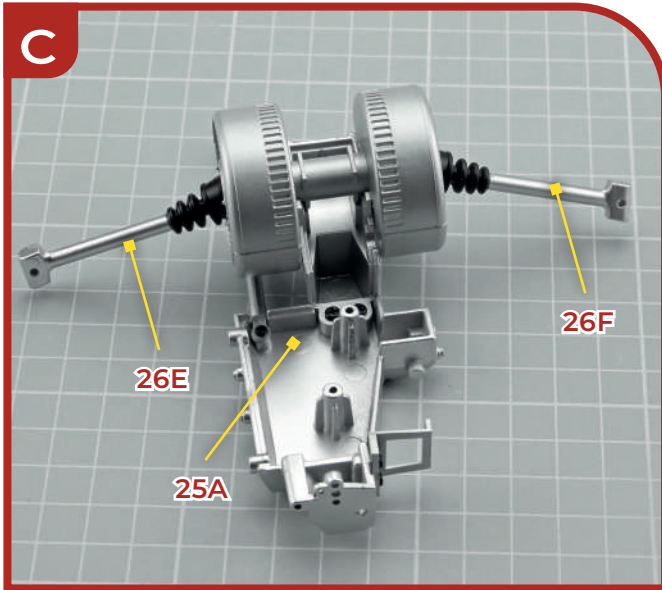
- 26A** Rear brake drums part A
- 26B** Rear brake drums part B
- 26C** Rear suspension levers (x2)

- 26D** Rear suspension arms (x2)
- 26E** Driveshaft (L)
- 26F** Driveshaft (R)
- 26G** External ignition adapter

- GP** 5 screws (2.3 x 5 mm)
- HP** 3 screws (1.7 x 5 mm)
- IP** 3 screws (2 x 4 x 6 mm)
- CM** 2 screws (1.7 x 4 mm)
- HM** 2 screws (2.3 x 5 mm)
- JM** 5 screws (2 x 5 mm)



Stage 26: Building the Rear Brake Drums and Connecting the Gearbox



Stage 26: Building the Rear Brake Drums and Connecting the Gearbox

