



# FERRARI

# 312 T4

THE LEGENDARY 1970s F1 FERRARI

PACK **07**

STAGES 53-62



SCALE  
**1:8**

**AGORA**  
MODELS®



# FERRARI

# 312 T4

SCALE  
**1:8**

## Contents

### STAGE 53

RIGHT-HAND RADIATOR TIE-ROD AND TWO PIPES ..... 1

### STAGE 54

ELECTRONIC CONTROL UNIT, COIL, TIE-RODS AND CONNECTOR..... 5

### STAGE 55

REAR WING ..... 9

### STAGE 56

ADDITIONAL WING AND SIDE BULKHEADS ..... 13

### STAGE 57

REAR WING SUPPORT..... 17

### STAGE 58

TAIL LIGHT ELEMENTS..... 21

### STAGE 59

FIRST GEARBOX PART ..... 25

### STAGE 60

STARTER MOTOR..... 29

### STAGE 61

TOP PART OF THE GEARBOX..... 33

### STAGE 62

REAR BRAKE SYSTEM PARTS ..... 37

© Agora Models

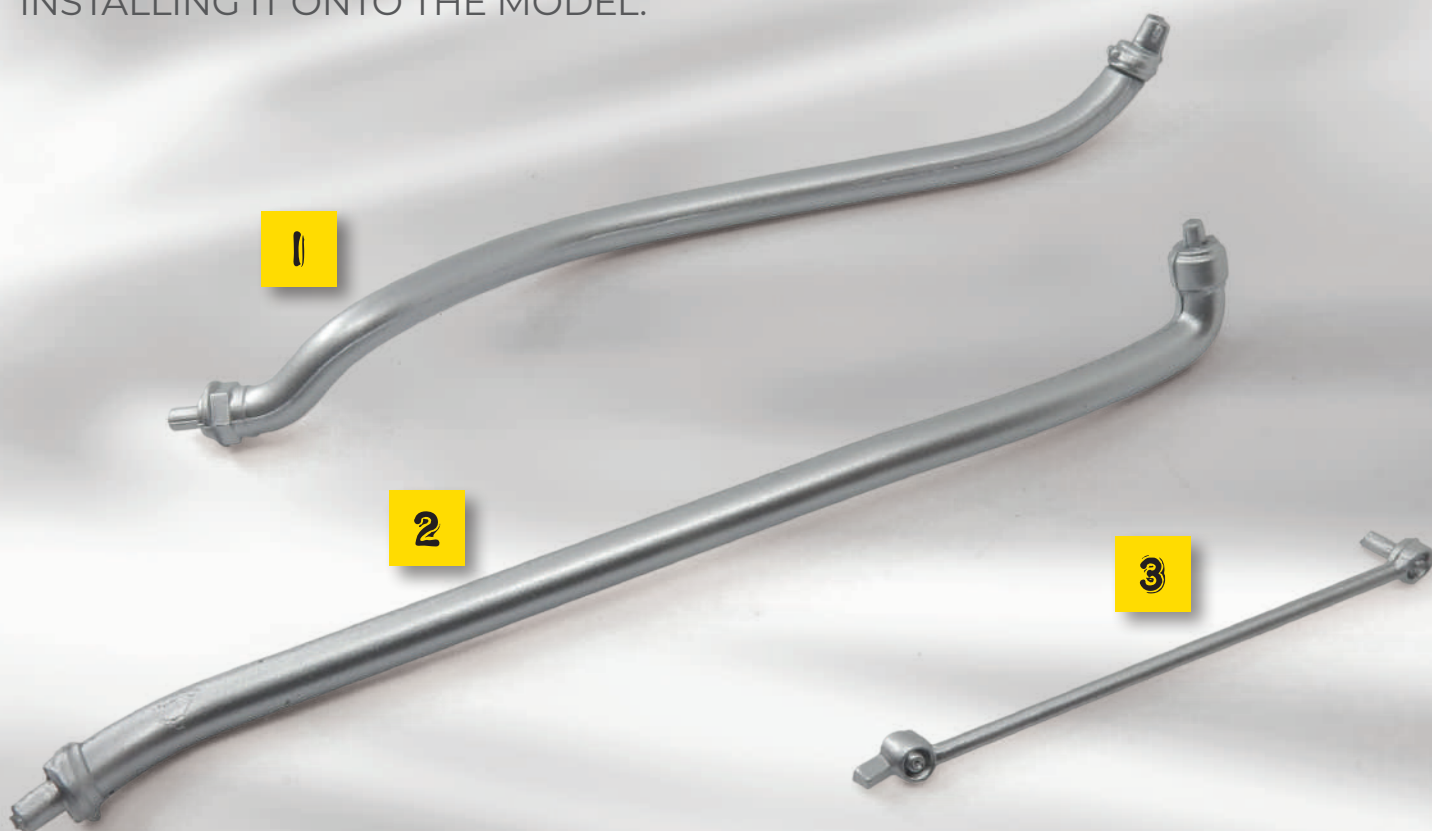
**AGORA**  
MODELS.

WARNING: NOT SUITABLE FOR CHILDREN UNDER THE AGE OF 14. THIS PRODUCT IS NOT A TOY AND IS NOT DESIGNED OR INTENDED FOR USE IN PLAY. ITEMS MAY VARY FROM THOSE SHOWN.

Produced under license of Ferrari S.p.A. The name FERRARI, the PRANCING HORSE device, all associated logos and distinctive designs are property of FERRARI S.p.A. The body designs of the Ferrari cars are protected as Ferrari S.p.A. property under design, trademark and trade dress regulations.

# RIGHT-HAND RADIATOR TIE-ROD AND TWO PIPES

THE ASSEMBLY FOR THIS STAGE INVOLVES THE RIGHT-HAND RADIATOR, WHICH YOU WILL BE CONNECTING TO THE RELEVANT TANK AND INSTALLING IT ONTO THE MODEL.



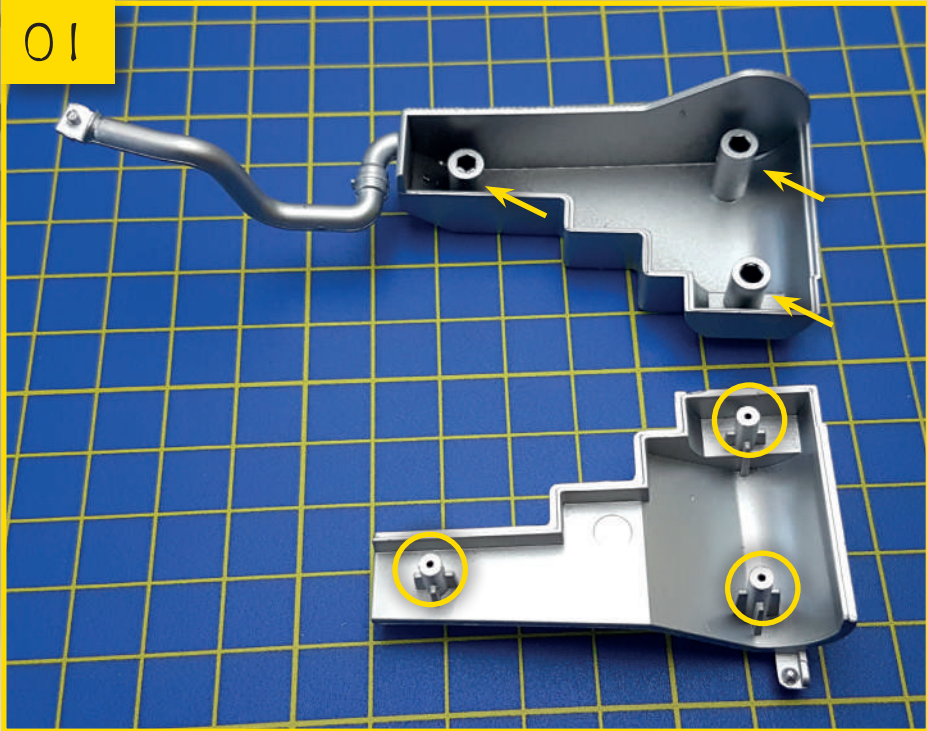
## LIST OF PARTS

- 1 Pipe A
- 2 Pipe B
- 3 Radiator tie-rod

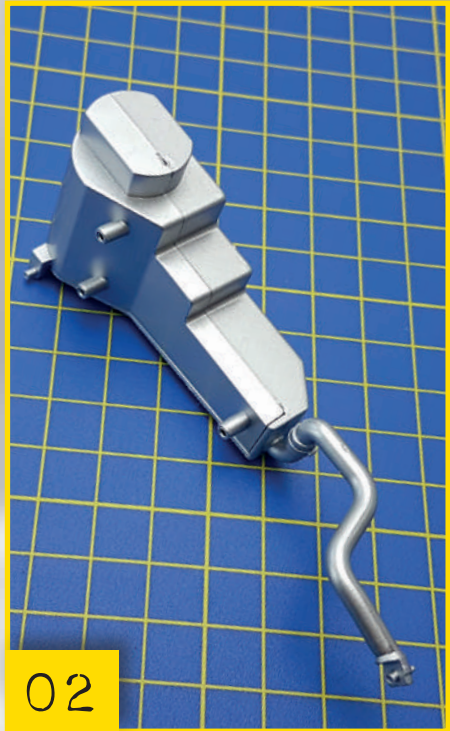




01



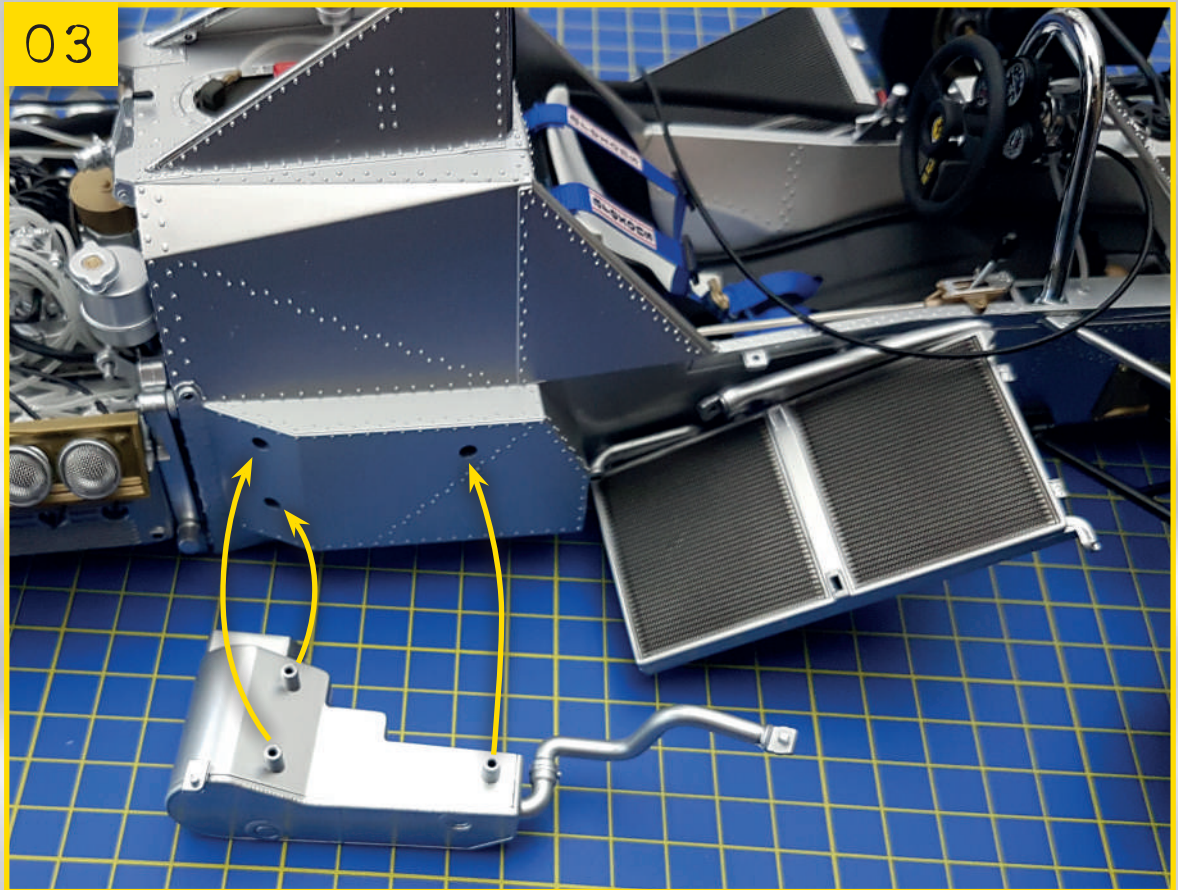
**53-01** Take the body of the coolant fluid tank and its fastening, supplied with stage 52. Place them on your work surface, as shown in the photo, where the joints are highlighted.



02

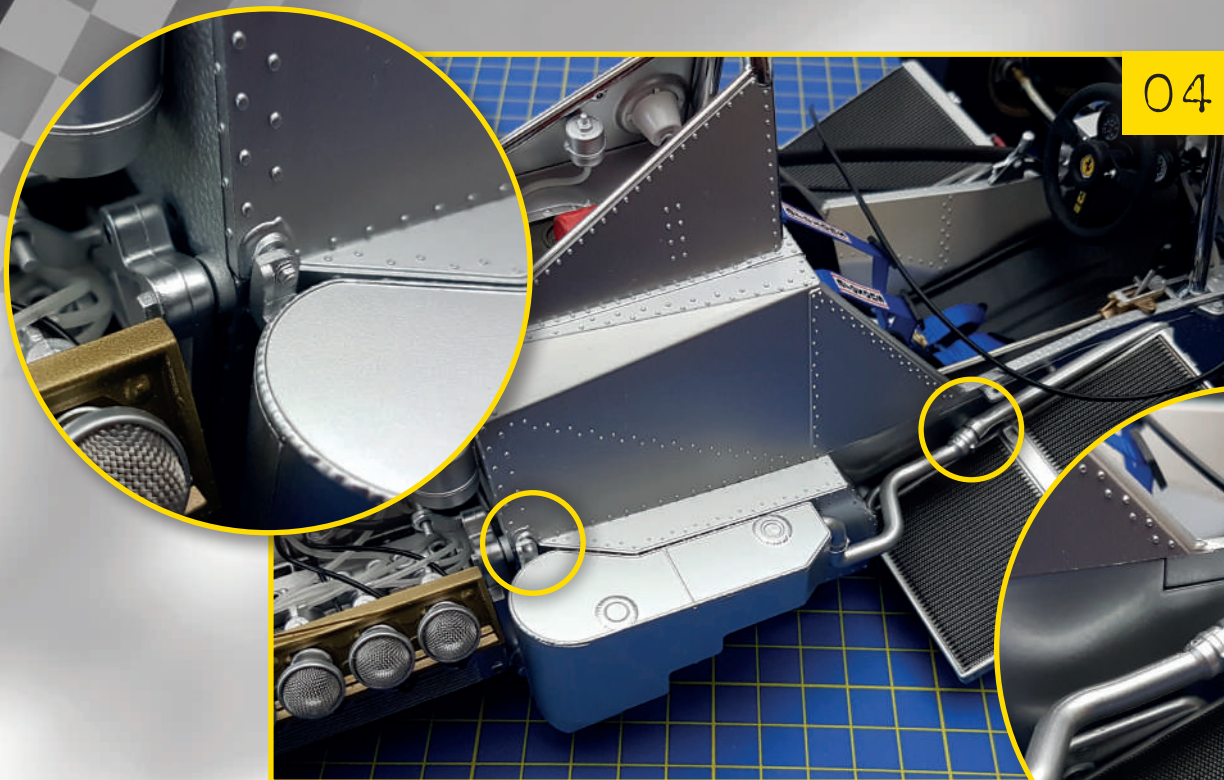
**53-02** Using the pins and holes, as highlighted in the previous step, join the two parts together.

03

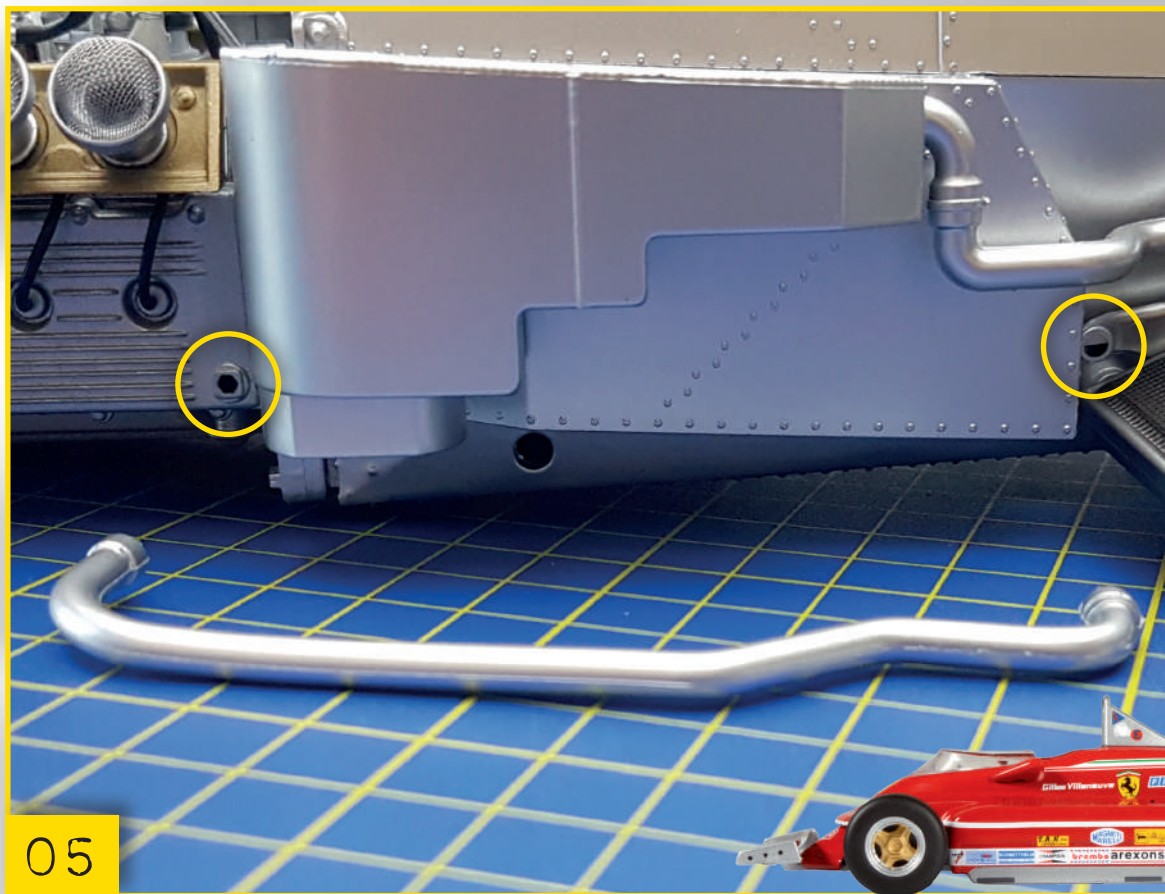


**53-03**  
The group you have just created has three assembly pins, which will go into the holes on the right side of the model.





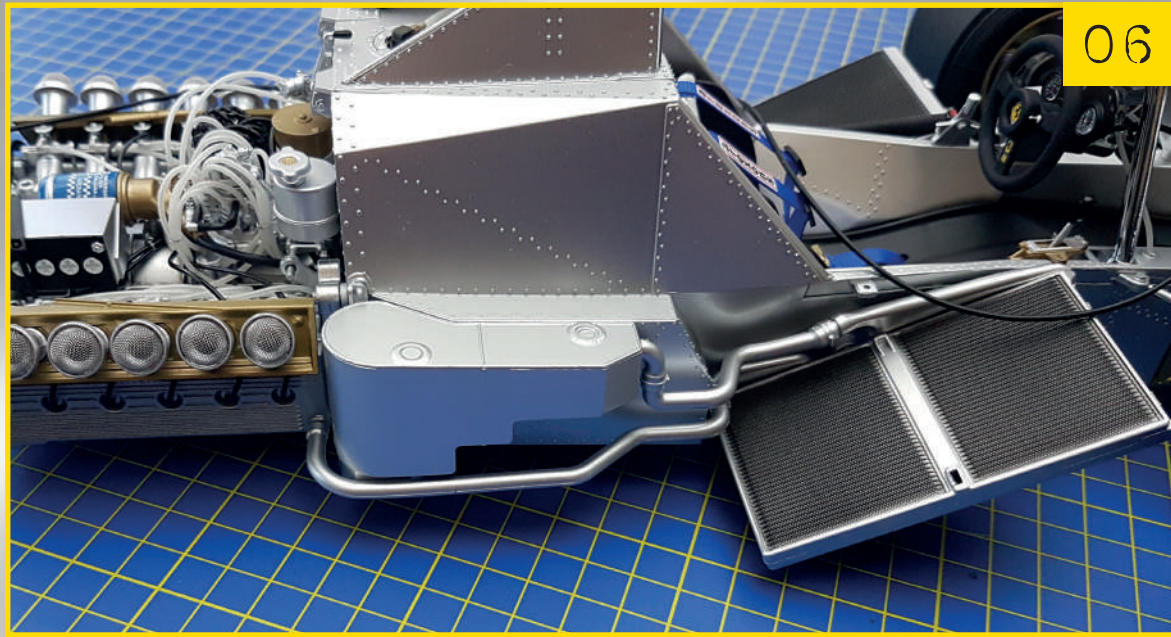
**53-04** Fit the tank onto the model. Important: as well as bringing the two joints highlighted in the previous step together, you will need to join the pipe to the pipe from the radiator, and insert the pin in the top cover.



**53-05** Take pipe 1 from the pieces supplied with stage 52 and place it next to the right side of the model. The image shows two highlighted holes: one circular and the other, semicircular.



**53-06** Now join the pipes to the model, making sure that the holes and pipes with the same shaped sections are matched.



**FINAL RESULT**

You have now added the coolant fluid tank to the right-hand radiator.



**In the next stage**

Control unit, rear engine-roll bar tie-rods, coil, and wiring connector for control cables.





# ELECTRONIC CONTROL UNIT, COIL, TIE-RODS AND CONNECTOR

BY FOLLOWING THE INSTRUCTIONS ON THIS PAGE, YOU CAN COMPLETE THE CONSTRUCTION OF THE RIGHT RADIATOR. CAREFULLY SET ASIDE THE PARTS INCLUDED IN THIS STAGE AND TAKE THE PARTS SUPPLIED WITH STAGE 53.

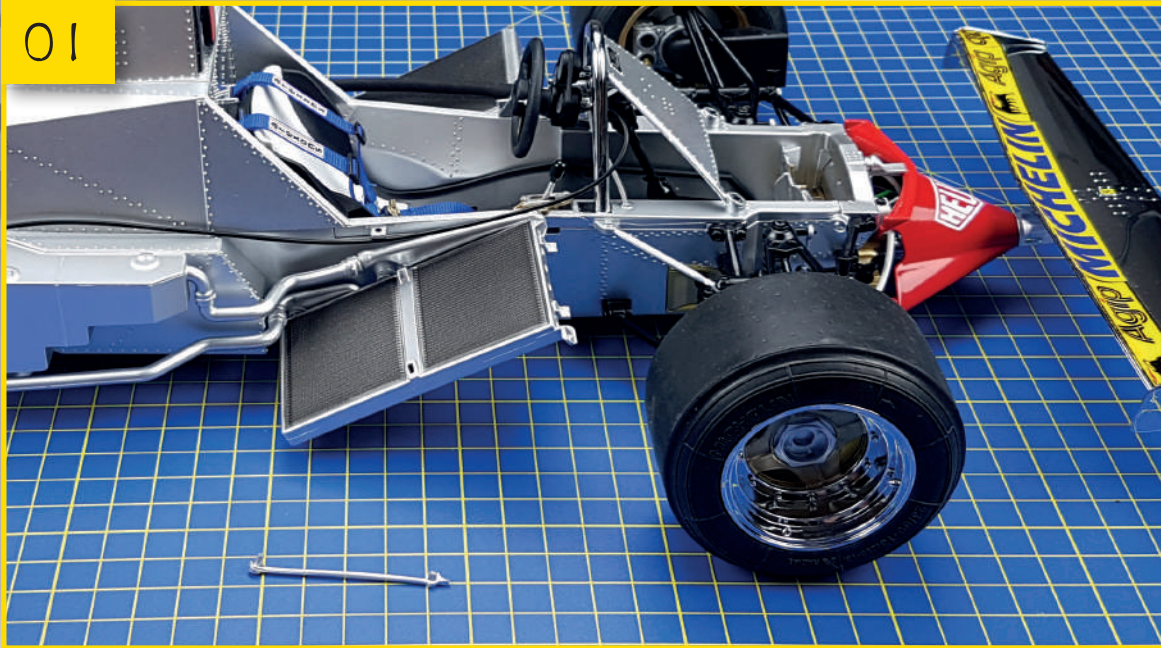


## LIST OF PARTS

- |   |                        |   |           |
|---|------------------------|---|-----------|
| 1 | Right rear tie-rod     | 4 | Connector |
| 2 | Left rear tie-rod      | 5 | Coil      |
| 3 | Base with control unit |   |           |

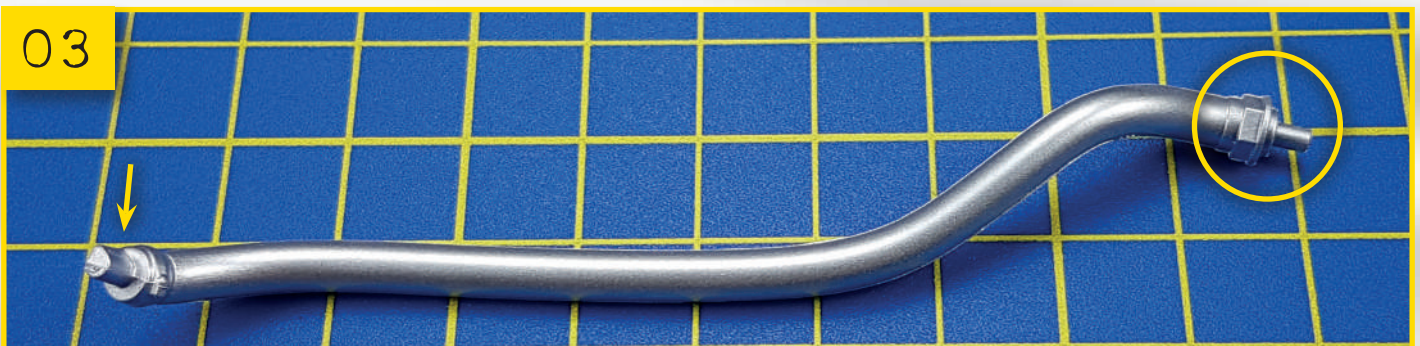
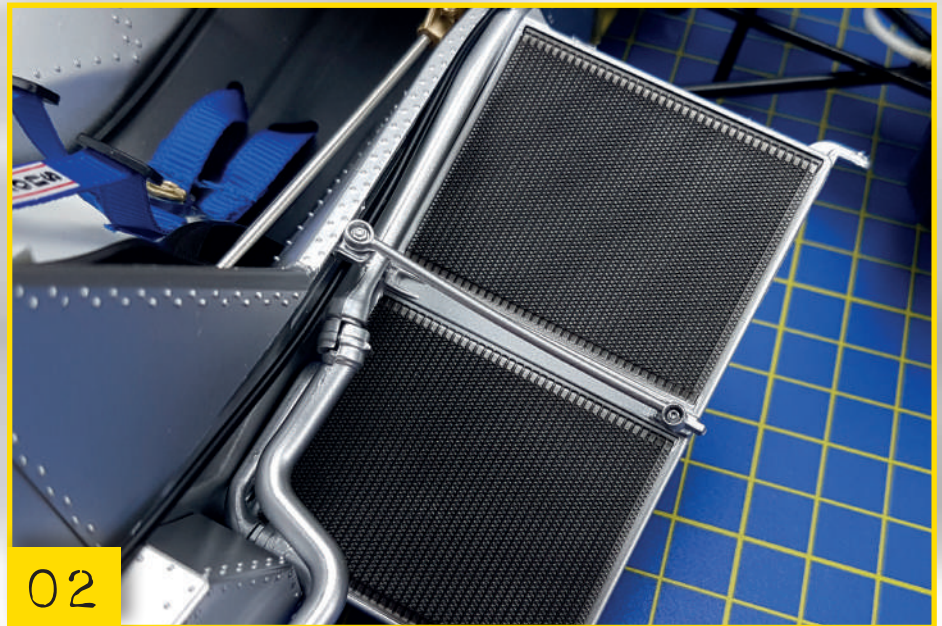






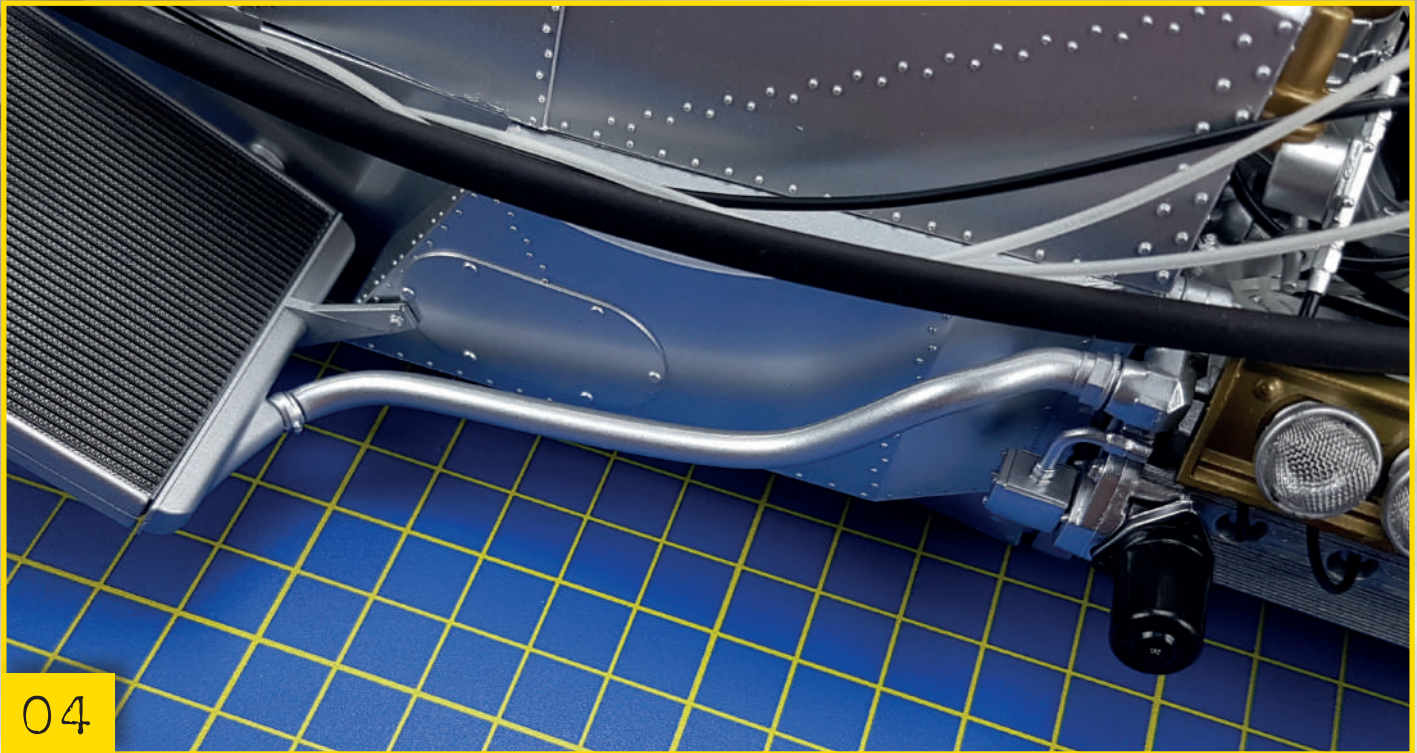
**54-01**  
From the parts supplied with stage 53 take the radiator tie-rod and place it alongside your model.

**54-02**  
Assemble the tie-rod as shown in the picture. If necessary, slightly enlarge the assembly holes using a round file. To make the assembly of this part more stable, we recommend using a two-component adhesive.



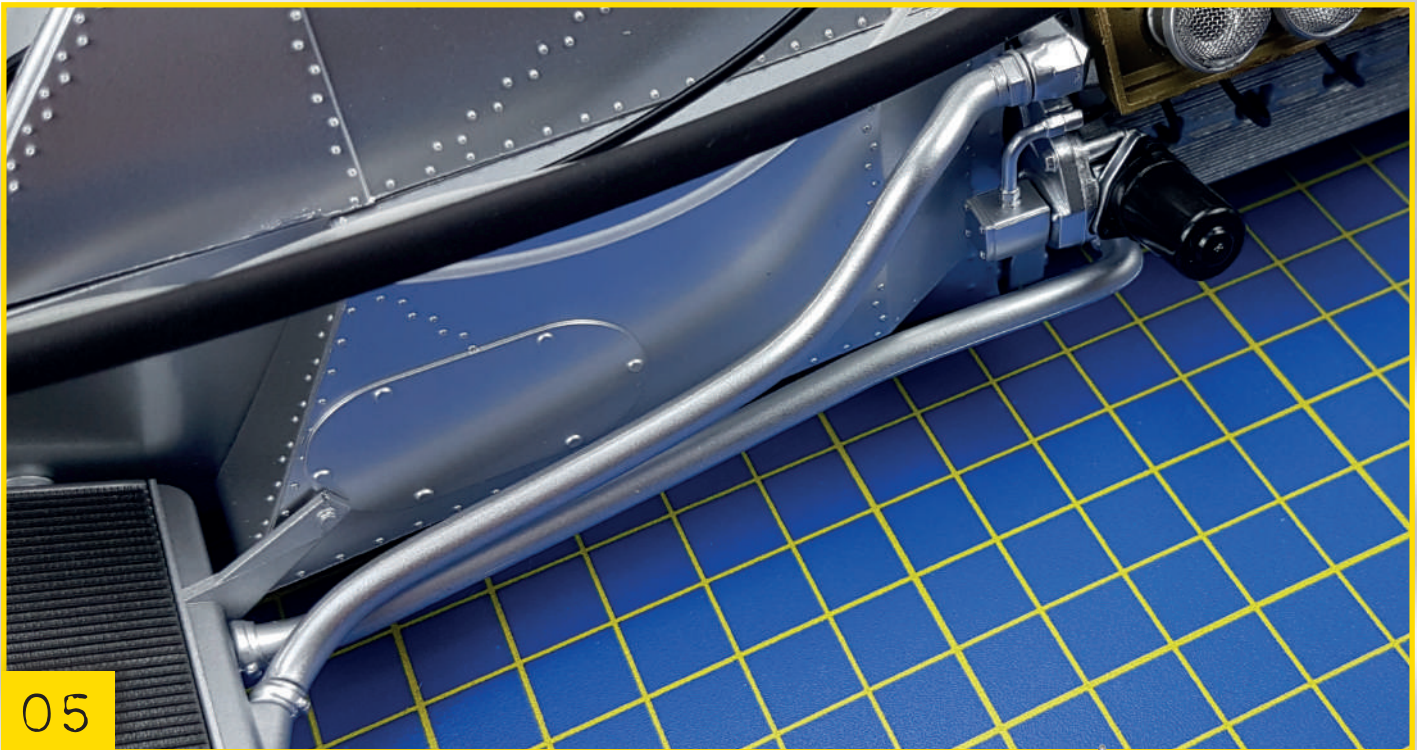
**54-03** Now we can move on to the left radiator. Take the pipe A supplied with stage 53. At the ends of the pipe are two pins, one with a tri-lobed section (arrow) and the other cylindrical (circle).





04

**54-04** Connect the end with the tri-lobed section pin to the right radiator and insert the cylindrical pin in the hole alongside the first air funnel trumpet on the left bank.



05

**54-05** Also from the pieces supplied with stage 53, take pipe B, which has two cylindrical pins of different dimensions. Insert the larger pin into the hole in the base of the radiator, and the thinner pin into the hole under the oil filter.







**FINAL RESULT**

Now you have finished the left-hand radiator group.

**In the next stage**

The rear wing and its connecting element.





# REAR WING

YOU'LL NOW FASTEN THE TIE-RODS AND ELECTRONIC CONTROL UNIT SUPPLIED IN THE PREVIOUS STAGE TO YOUR MODEL. PLEASE PUT THE PARTS SUPPLIED WITH THIS STAGE CAREFULLY ASIDE, THEY WILL BE USED IN A LATER STAGE.



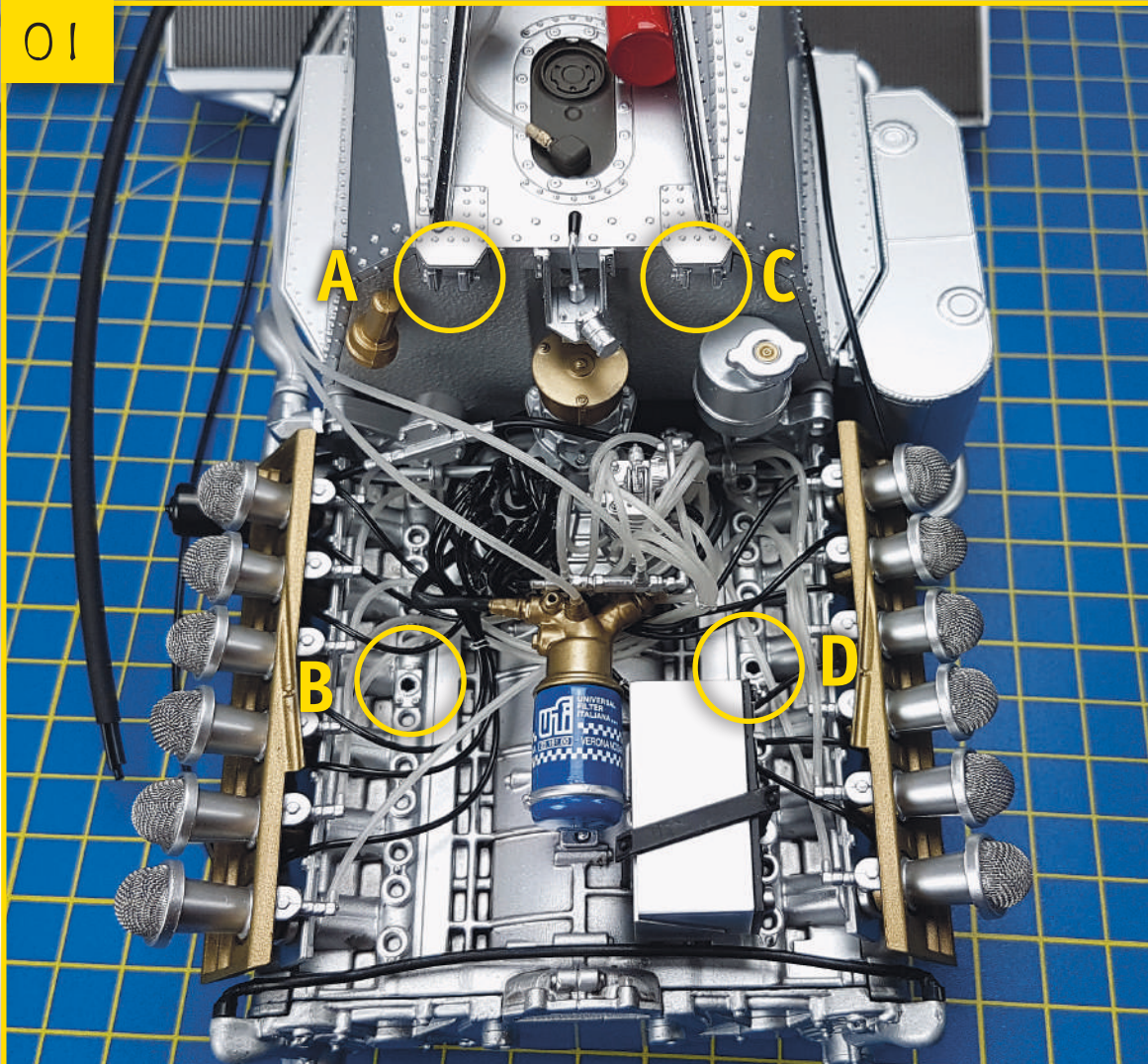
## LIST OF PARTS

- 1 Rear wing
- 2 Joint

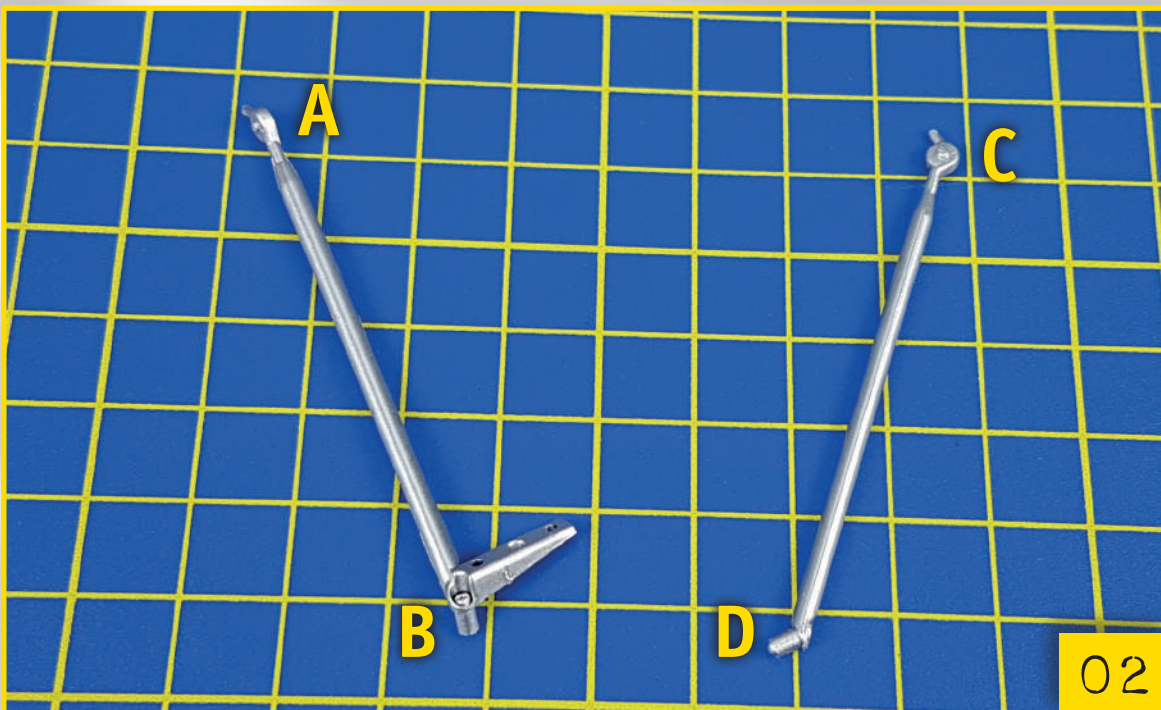




01



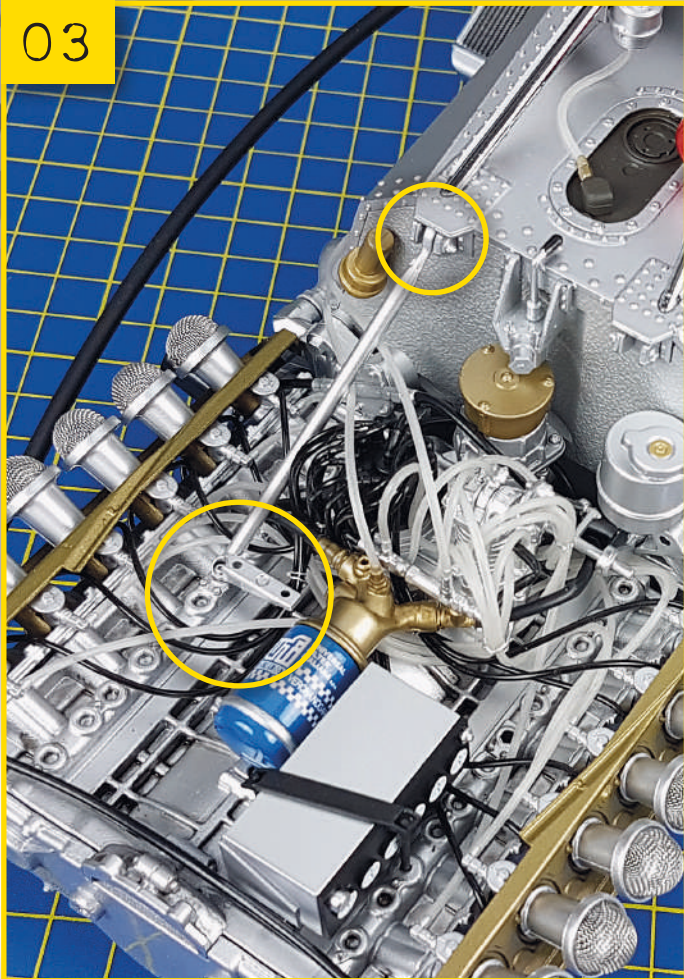
**55-01** Place the model on your work surface. The circles in the image, accompanied by letters, show the four fastening points involved in the next assembly operations.



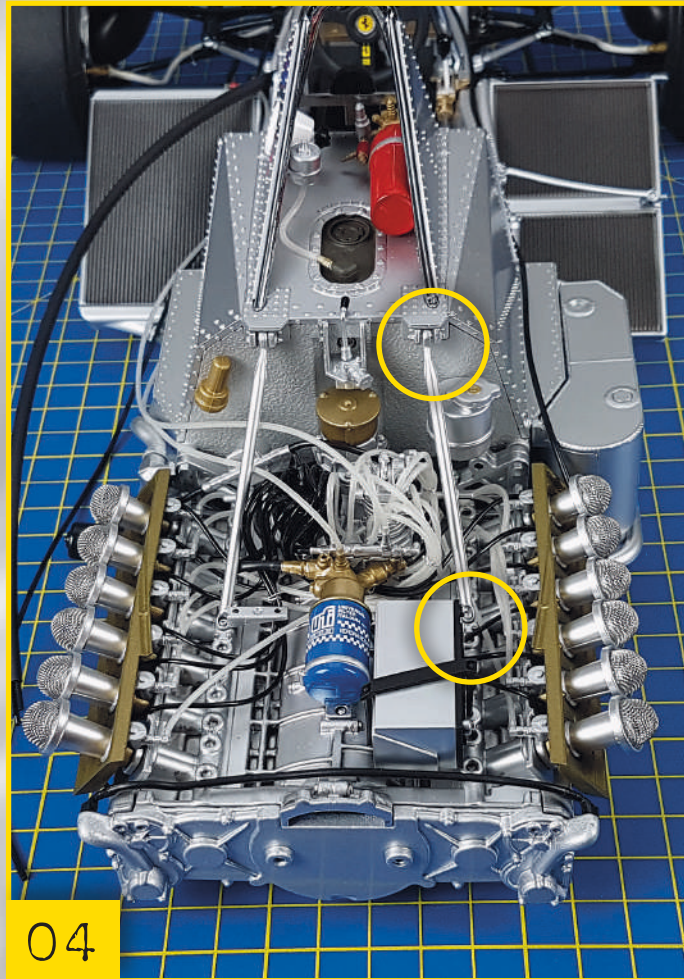
**55-02** Take the rear tie-rods. The letters in the picture show you how to pair them with the fastening points shown in the previous stage.

02

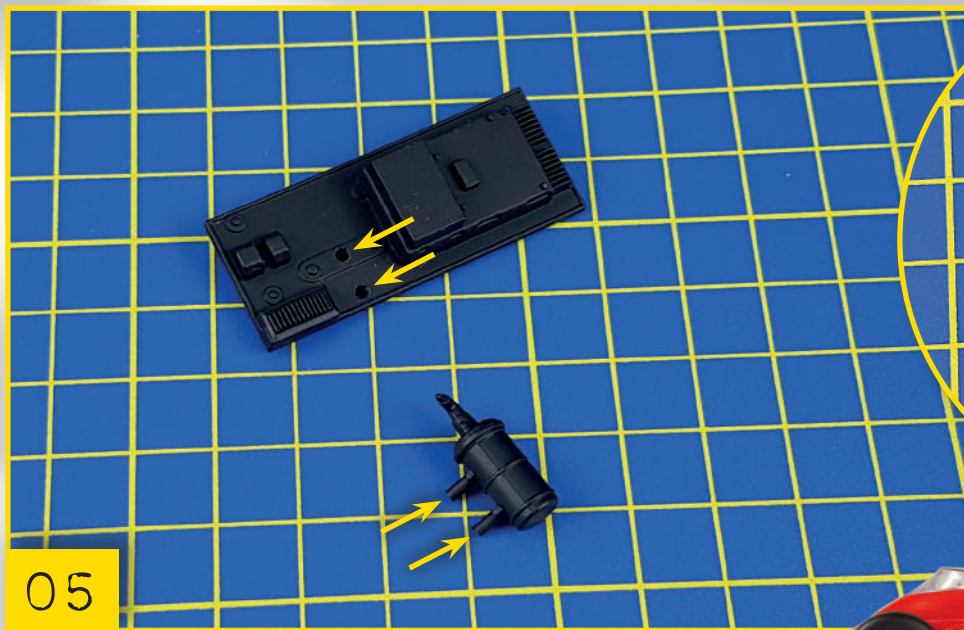




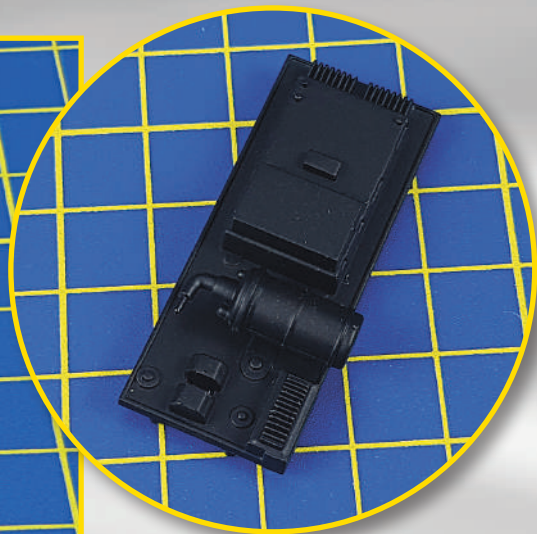
**55-03** First secure the left tie-rod as shown in the image.



**55-04** Fit the right rear tie-rod to the model as shown in the picture.

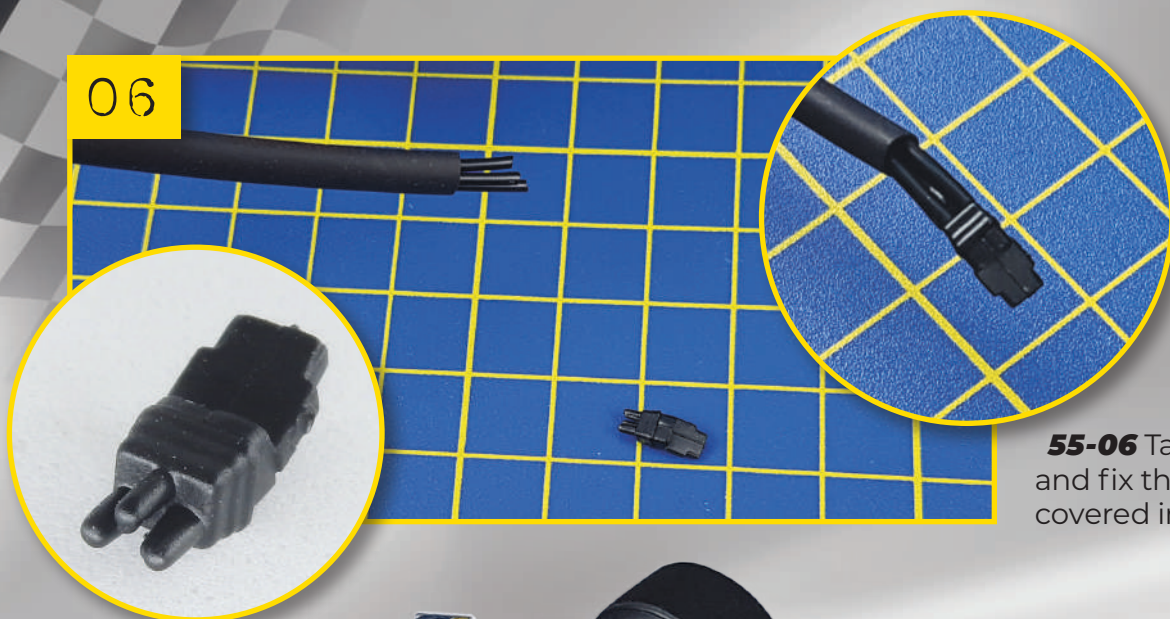


**55-05** Join the control unit and the ignition coil.





06



**55-06** Take the connector and fix the three cables covered in black sheathing.



### FINAL RESULT

The image shows you the result of this assembly stage. Keep the parts assembled so far to one side, along with the parts supplied this stage, to use in stage 56.

### In the next stage

The second wing and the side bulkheads.





# ADDITIONAL WING AND BULKHEADS

FOR THIS STAGE YOU WILL BE CONCENTRATING ON CONNECTING THE CONTROL PLATE AND PREPARING FOR ASSEMBLY OF THE REAR WING. FOLLOW THE INSTRUCTIONS AND THE ACCOMPANYING IMAGES.



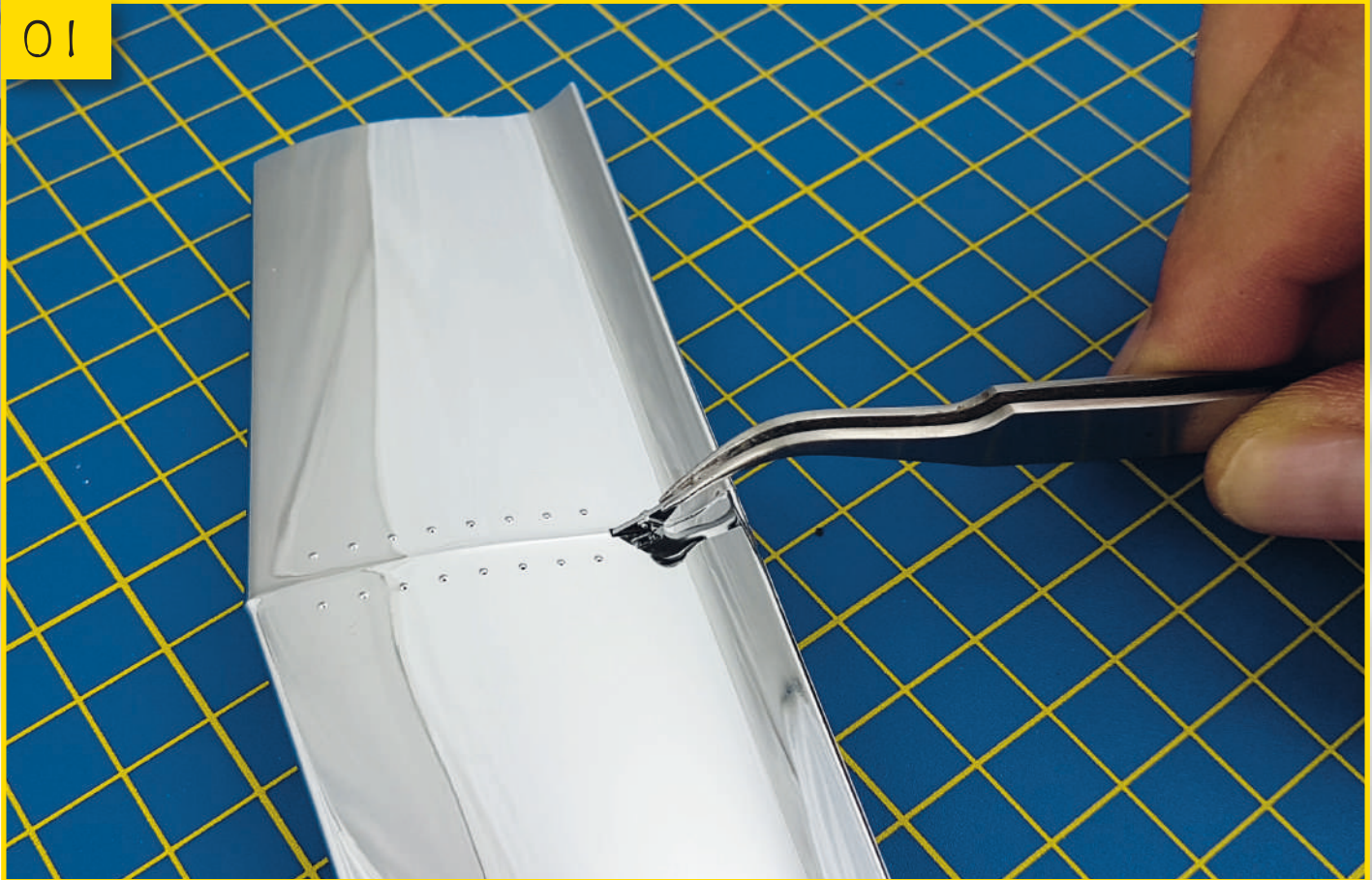
## LIST OF PARTS

- 1 Wing side bulkheads
- 2 Additional wing

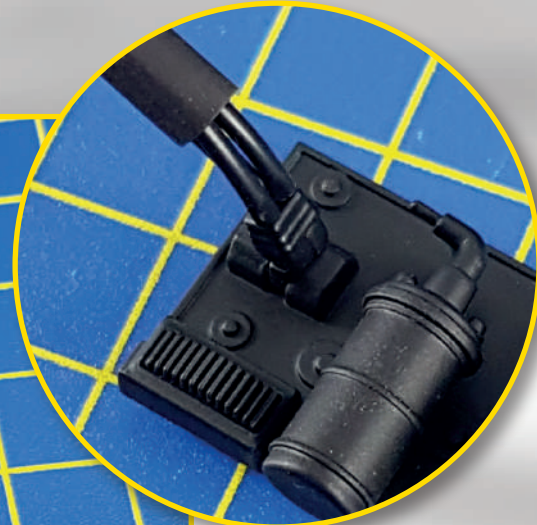
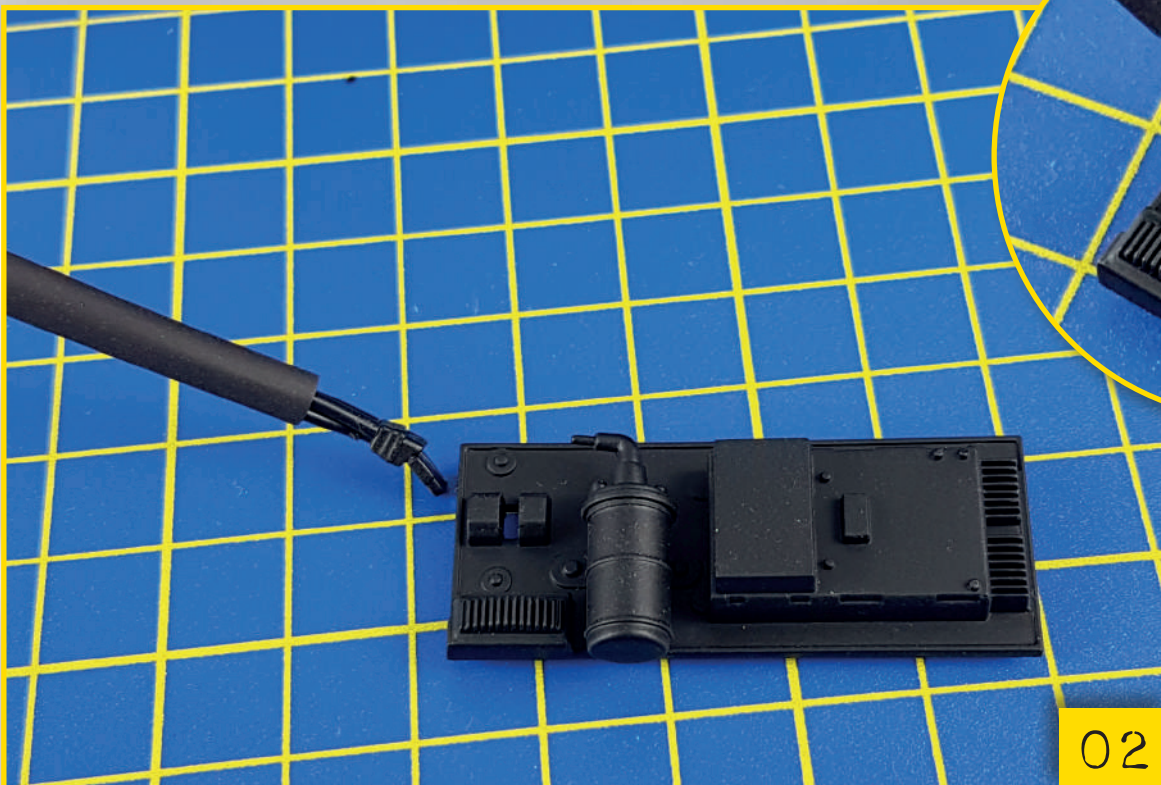




01



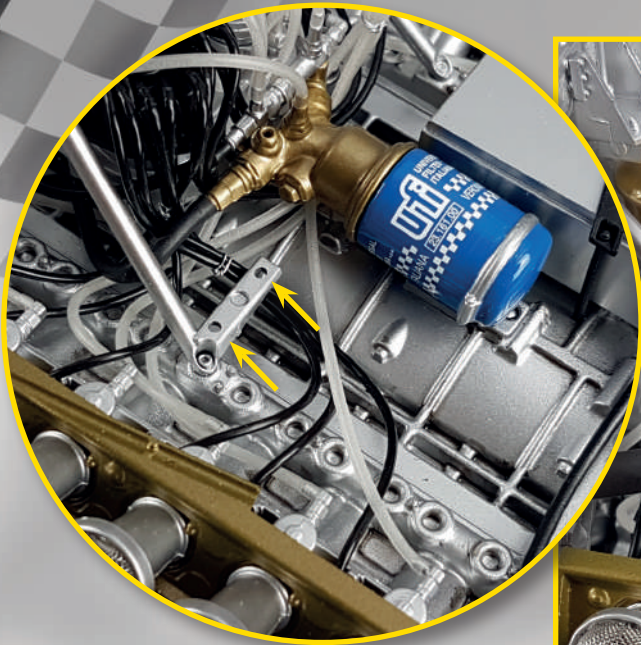
**56-01** Secure the joint to the rear wing. We recommend using a drop of glue to ensure the joint is well connected.



02

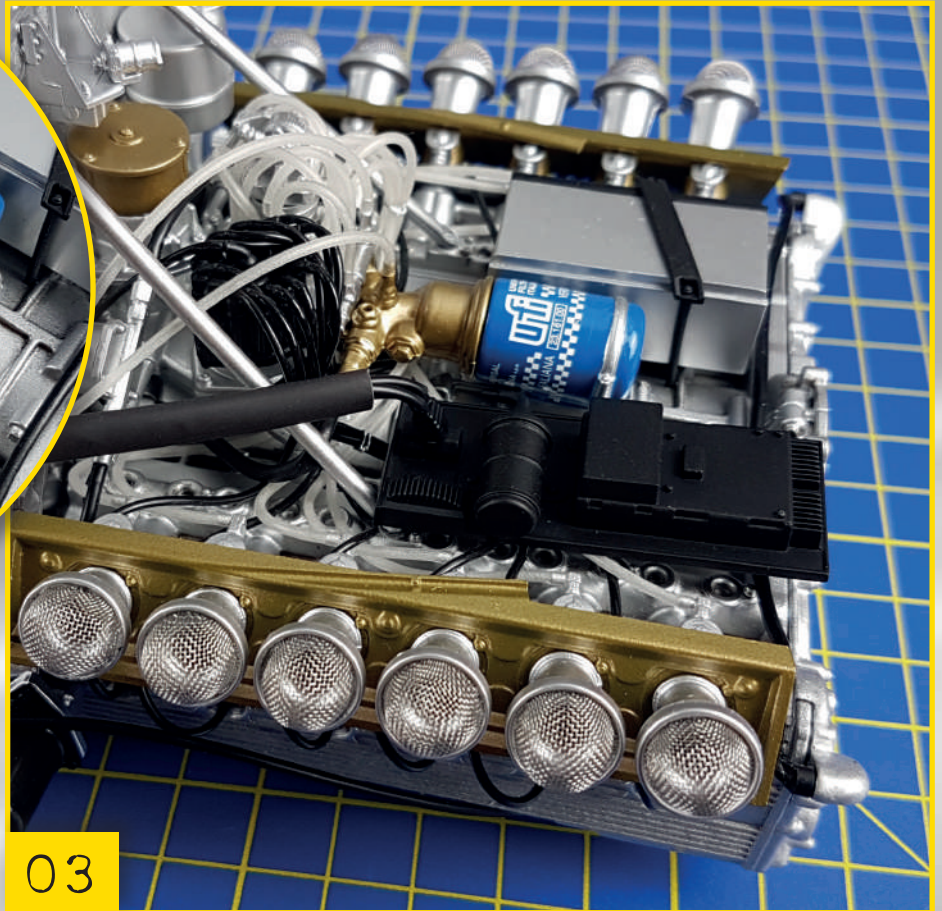
**56-02** Plug the connector coming out of the sleeve with the three cables to the control unit from the previous stage.



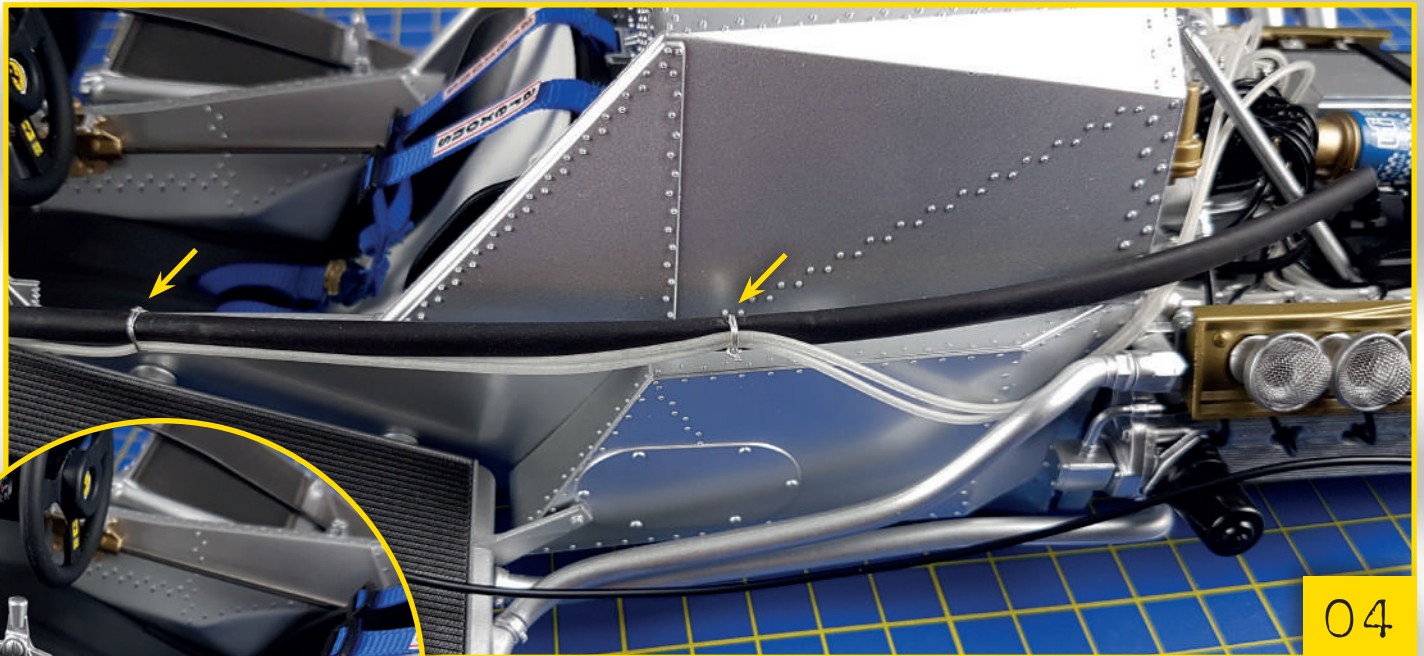


**56-03**

The left tie-rod has a plate with two holes, as highlighted by arrows in the inset image. Place the control unit onto the tie-rod plate, using the two holes as shown. Do not press all the way as this is a temporary assembly!



03



04

**56-04** In the same way as for the spark plug cables, we recommend grouping the cables together, creating clips with metal wire. This will make your model tidier and is similar to the real vehicle.





**FINAL RESULT**

The image shows you the results of this stage in the assembly. Store your model in a safe place.

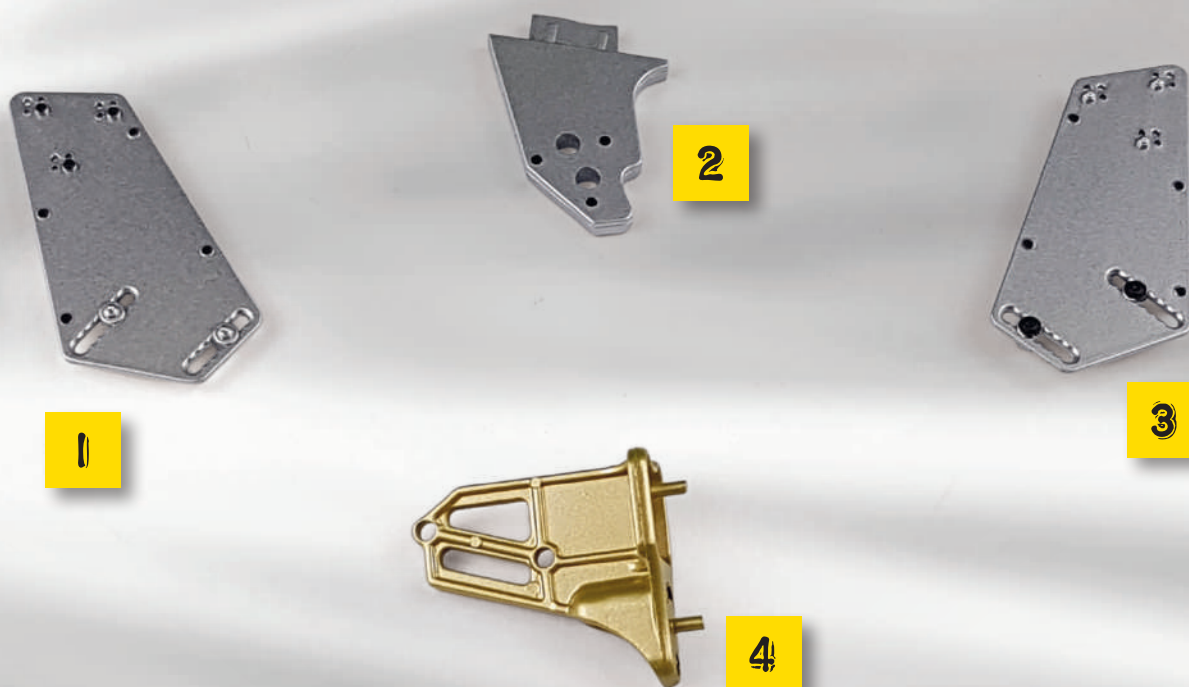


**In the next stage**  
The elements to complete the rear wing.



# REAR WING SUPPORT

YOU'LL BE ASSEMBLING THE REAR WING IN THIS STAGE, USING THE PARTS PROVIDED ALONG WITH THOSE FROM STAGES 55 AND 56.



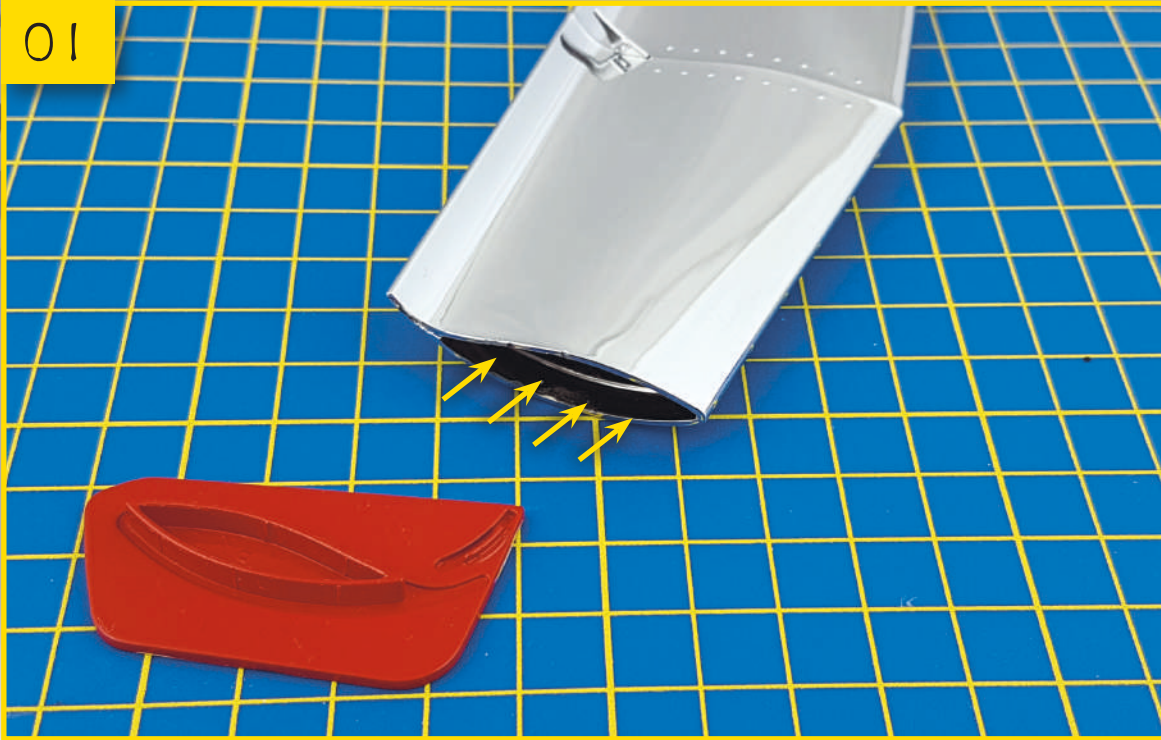
## LIST OF PARTS

- 1 Right upright
- 2 Rear wing upper support
- 3 Left upright
- 4 Lower wing support

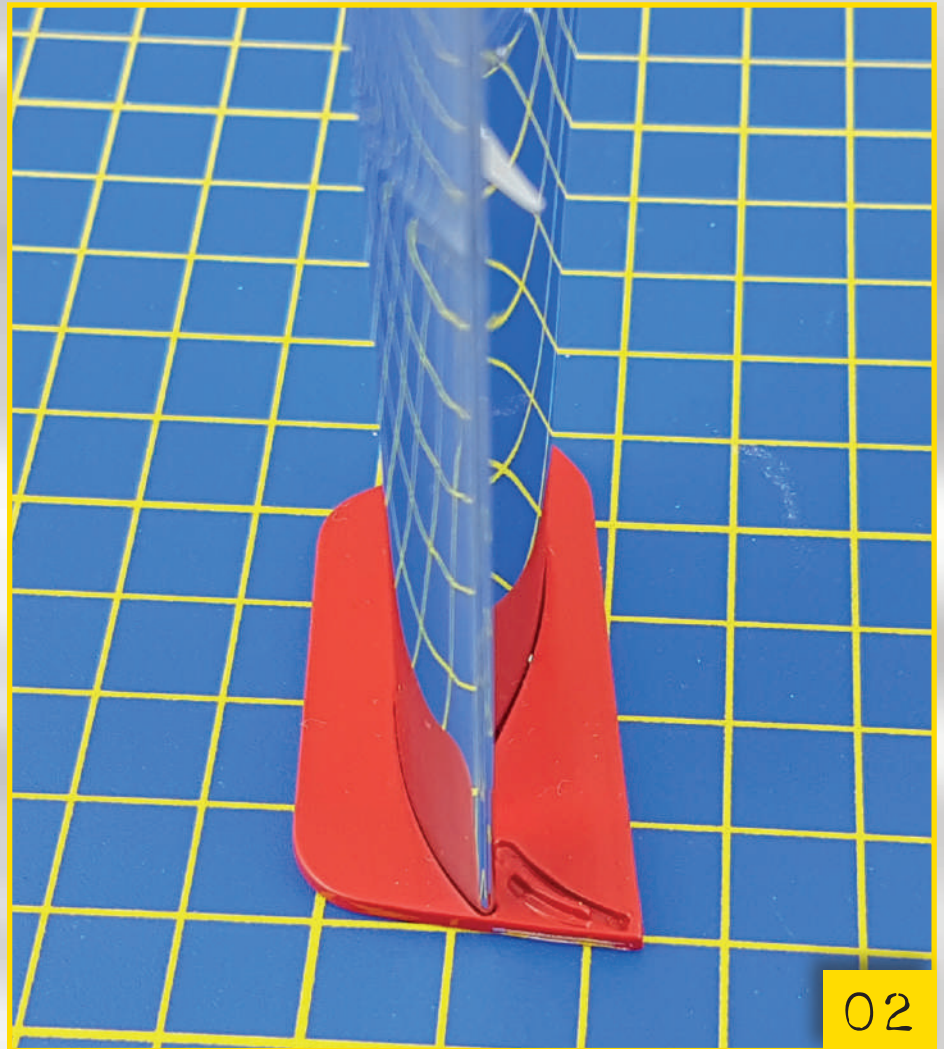




01



**57-01** Take the main wing from the rear wing of stage 55 and the right bulkhead of stage 56. Apply plastic adhesive inside the wing as indicated by the yellow arrows..

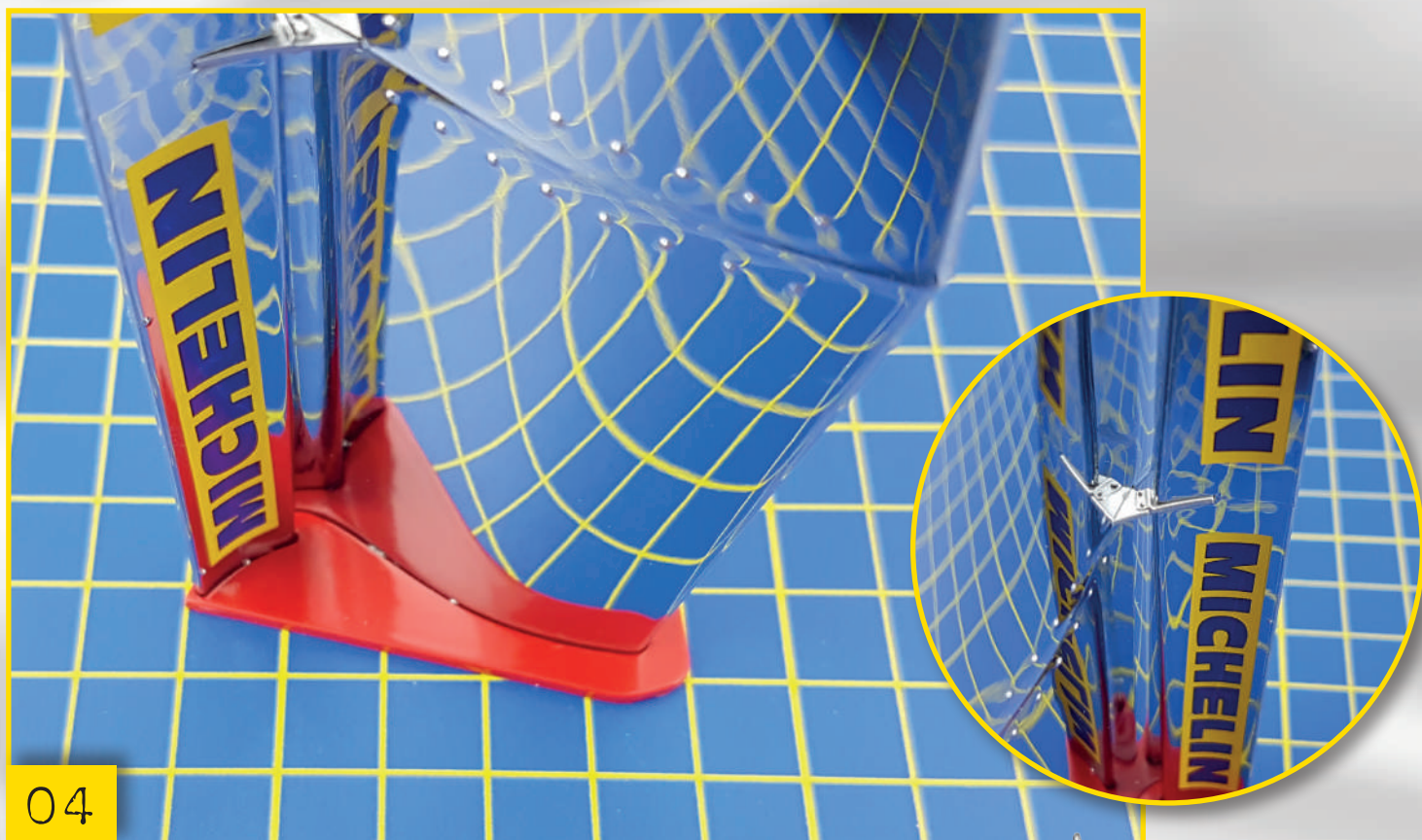
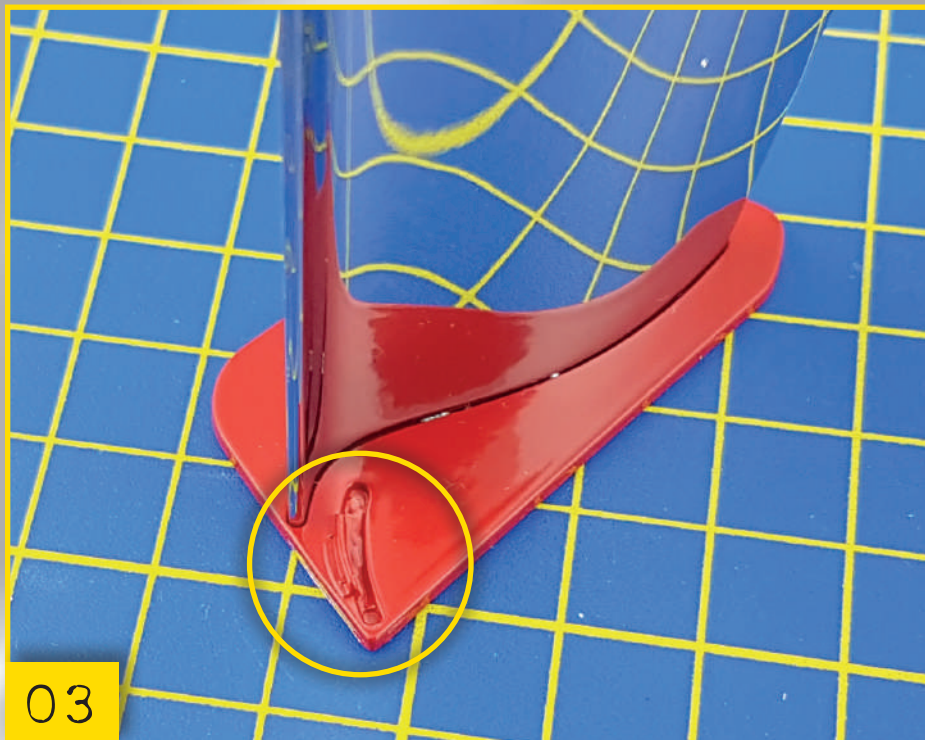


02

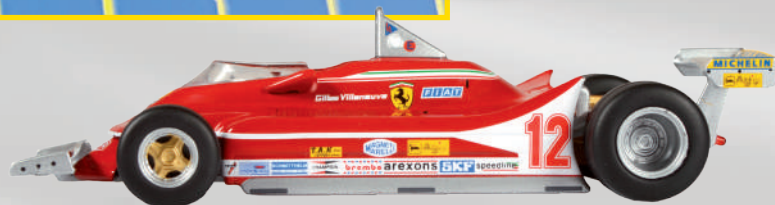
**57-02** Press this part onto the bulkhead and leave the adhesive to dry, keeping the two parts perfectly at right angles to one another.



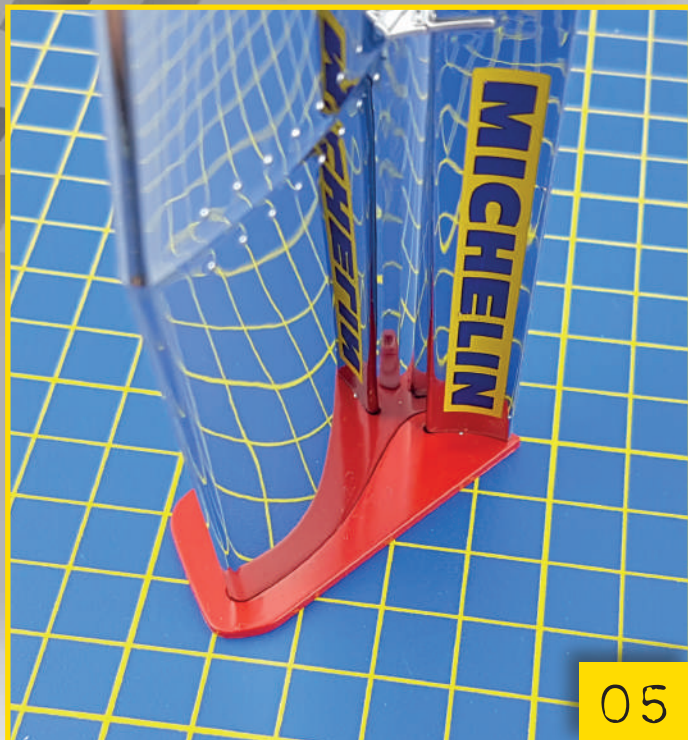
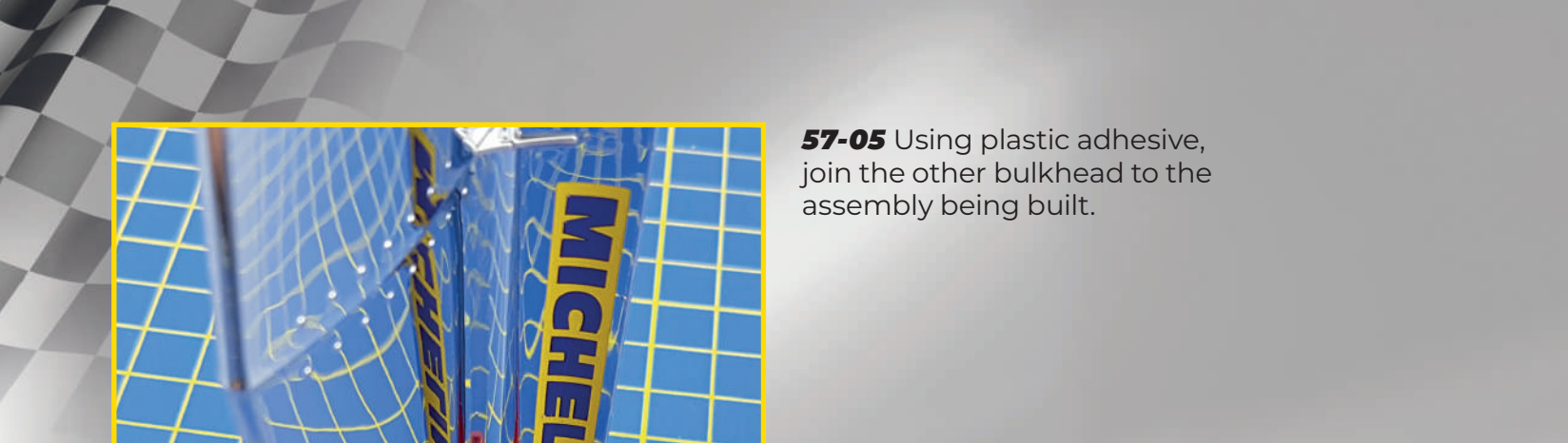
**57-03** Take the additional wing from the parts provided in stage 56. Use a file to remove the chrome plating from the side edges. Take care not to damage the chrome plating on the upper and lower surfaces of the piece. Then apply a drop of glue to the moon-shaped recess on the inner side of the bulkhead, circled in yellow.



**57-04** Now join the additional wing to the bulkhead, inserting it into the moon-shaped recess. Make sure that the end of the joint is above the additional wing.



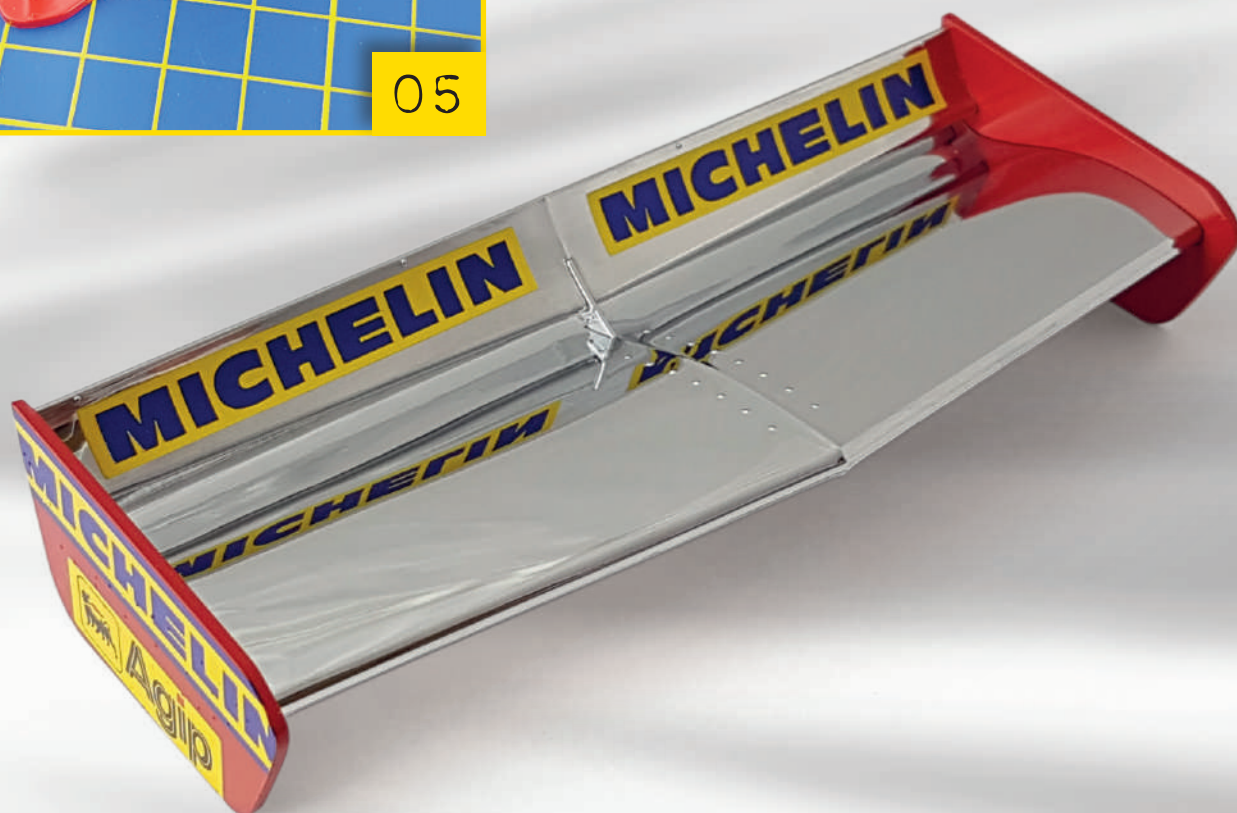




**57-05** Using plastic adhesive, join the other bulkhead to the assembly being built.

**FINAL RESULT**

This is how the completed rear wing will look. Place it very carefully to one side until it is needed for fitting it to your 1:8 scale Ferrari 312 T4.



**In the next stage**

Tail light parts and rear wing adjustment system





# TAIL LIGHT ELEMENTS

THE PARTS PROVIDED MAKE UP THE TAIL LIGHT AND THE ADJUSTMENT PLATE FOR THE REAR WING. FOR THIS STAGE, YOU'LL ASSEMBLE THE REAR WING SUPPORT USING PARTS FROM THE PREVIOUS STAGE.

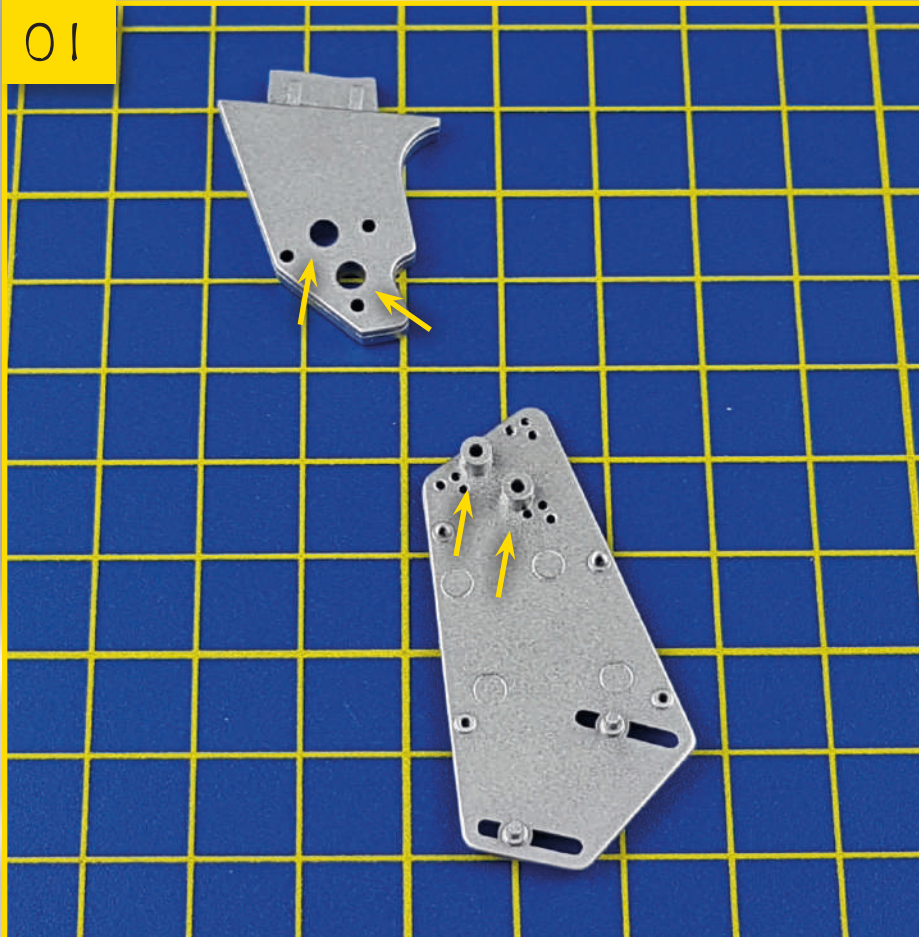


## LIST OF PARTS

- 1 Tail light glass
- 2 Tail light body
- 3 Height adjustment plate for the rear wing

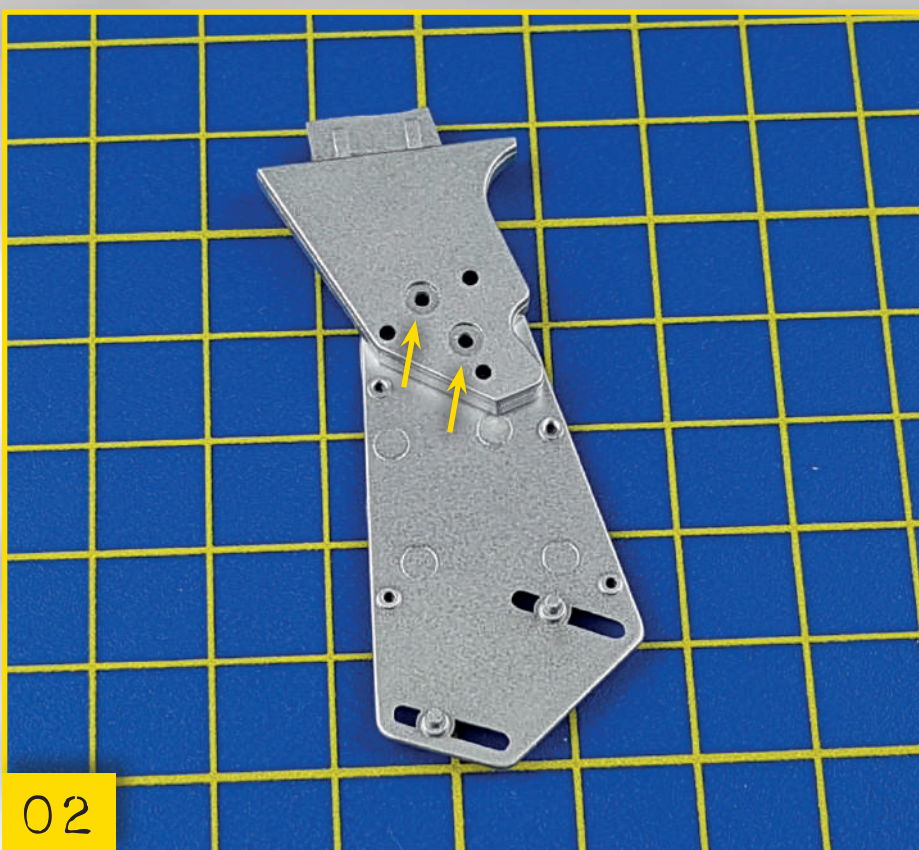






**58-01**

From the parts with the last stage take the rear wing upper support and right upright. Set them out on your work surface, as shown.



**58-02**

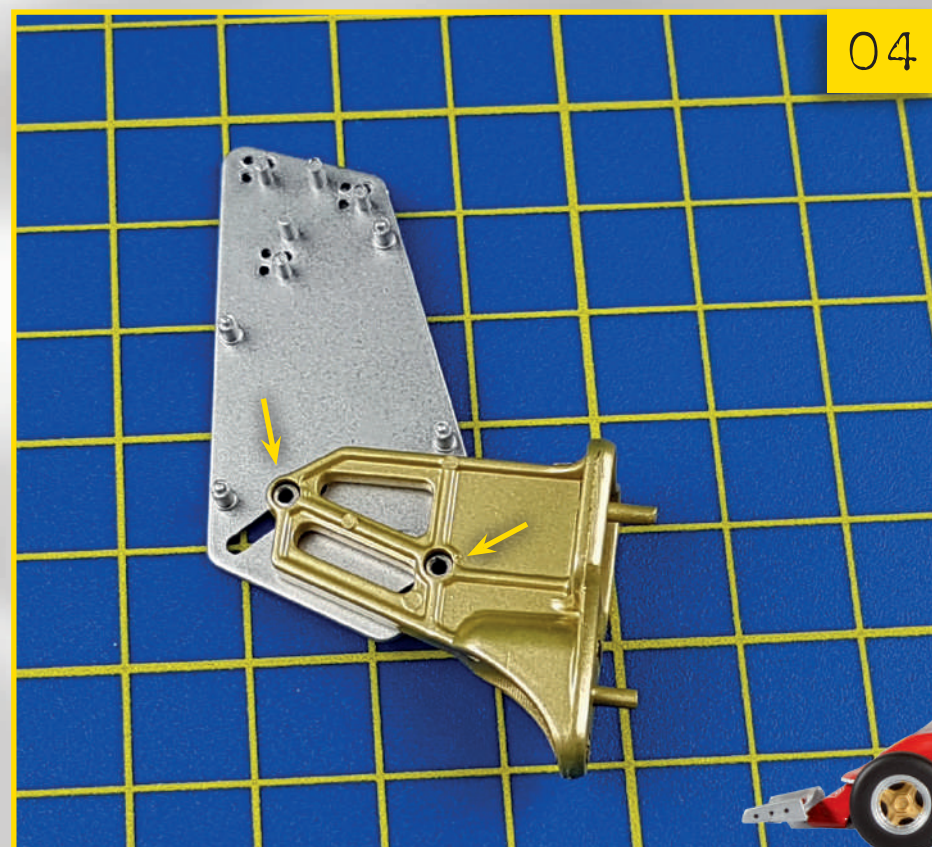
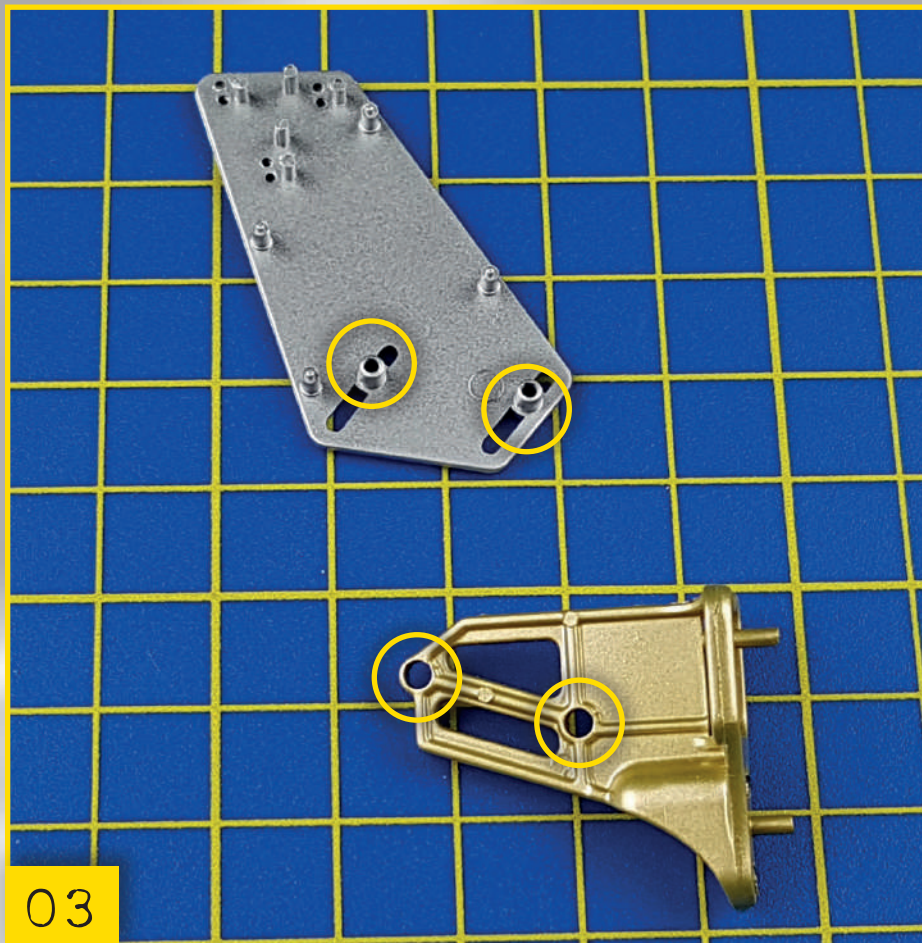
Press the two parts together, so that the two bored pins on the right upright are inserted into the holes in the support.





**58-03**

Take the bottom support and left upright from the parts provided with stage 57. Set out these parts as shown in the photo. The joint elements are highlighted in the image.

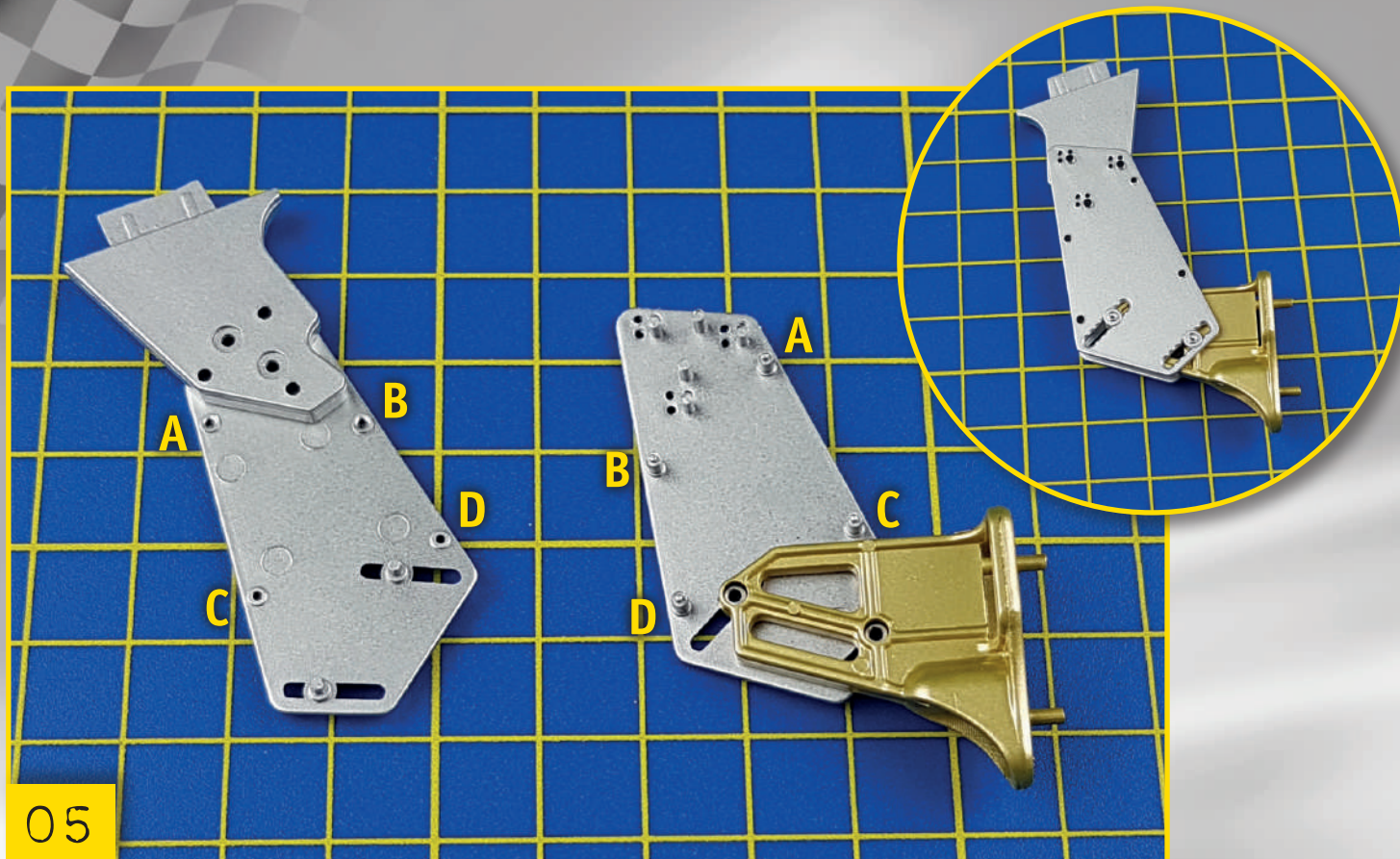


**58-04**

Press the elements together, using the joint elements to ensure the correct fit.







05

**58-05** Set the two newly completed assemblies and set them out on your work surface. The image shows four fastening points, marked with letters to show the exact positions where they match. Press these parts together to create the wing support (inset).

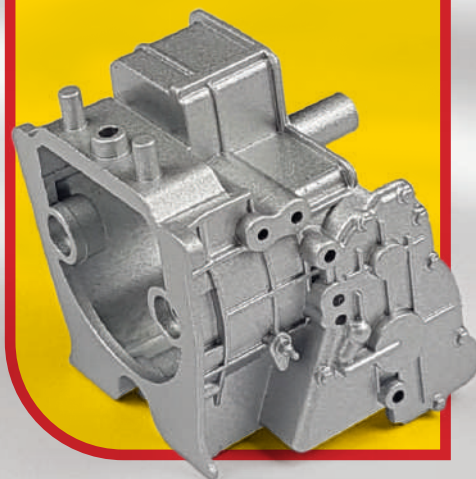
**FINAL RESULT**

The image shows you the support of the rear wing. Use this as a reference to check that the process has been completed correctly.



**In the next stage**

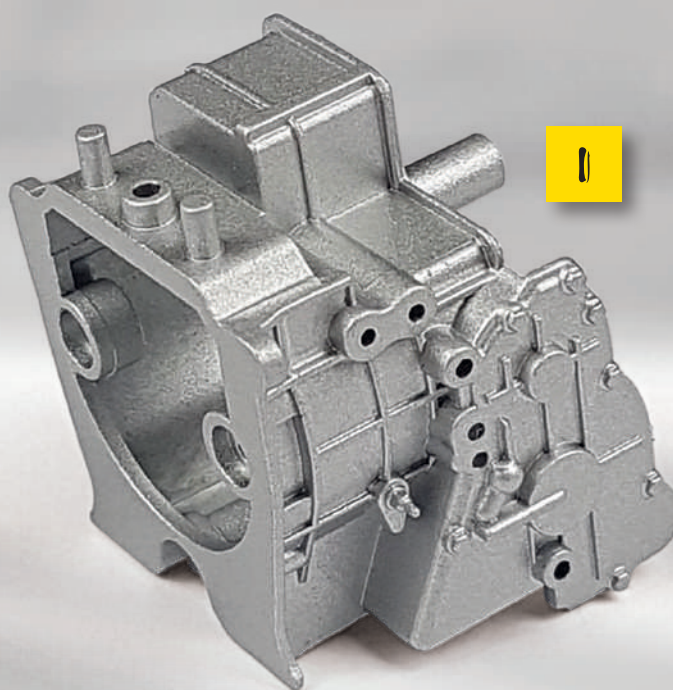
The gearbox base.





# FIRST GEARBOX PART

FOR THIS STAGE YOU'LL CONTINUE ASSEMBLY ON THE REAR WING BY ADDING THE TAIL LIGHT. PUT THE SUPPLIED GEARBOX BASE CAREFULLY ASIDE FOR USE IN A FUTURE STAGE.

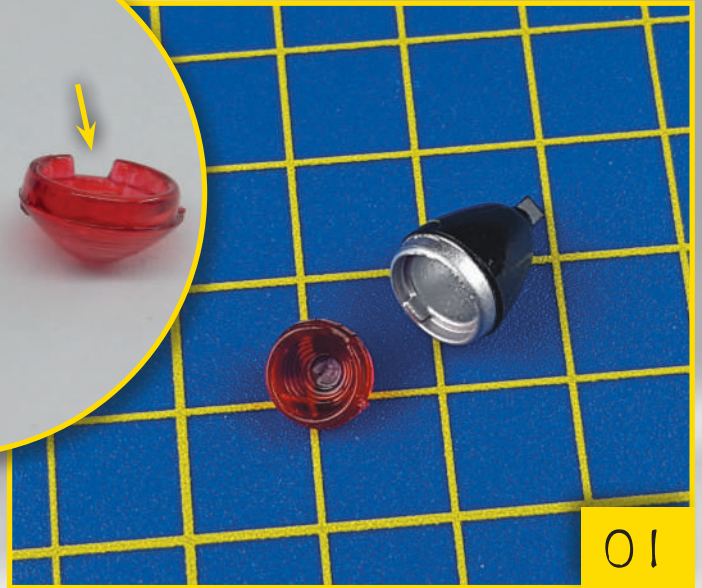
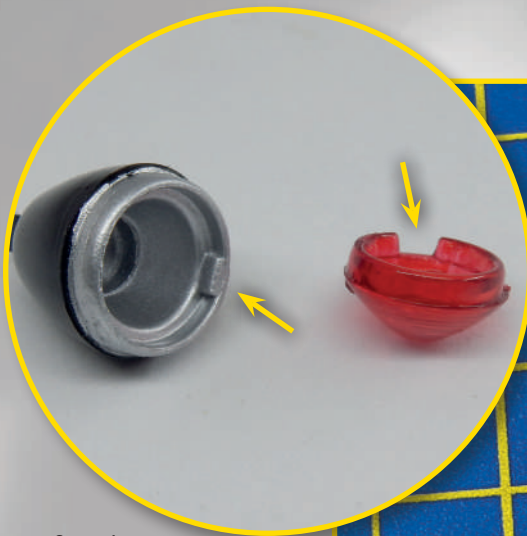


## LIST OF PARTS

- 1 Gearbox base



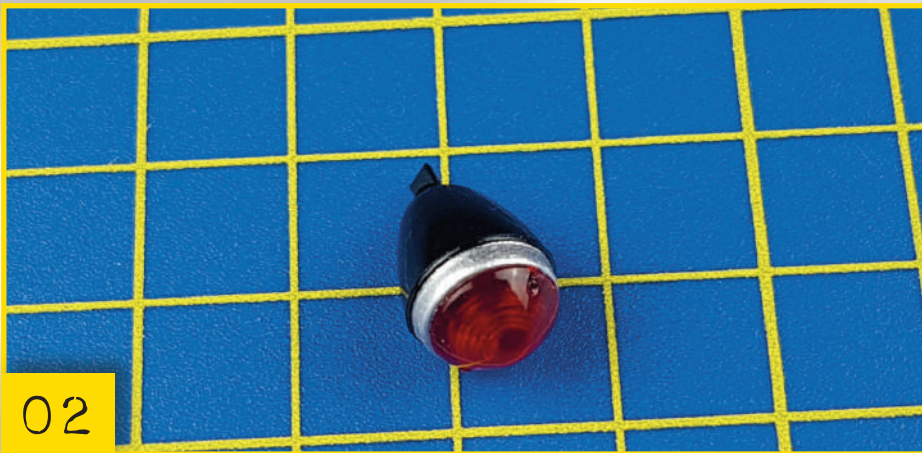




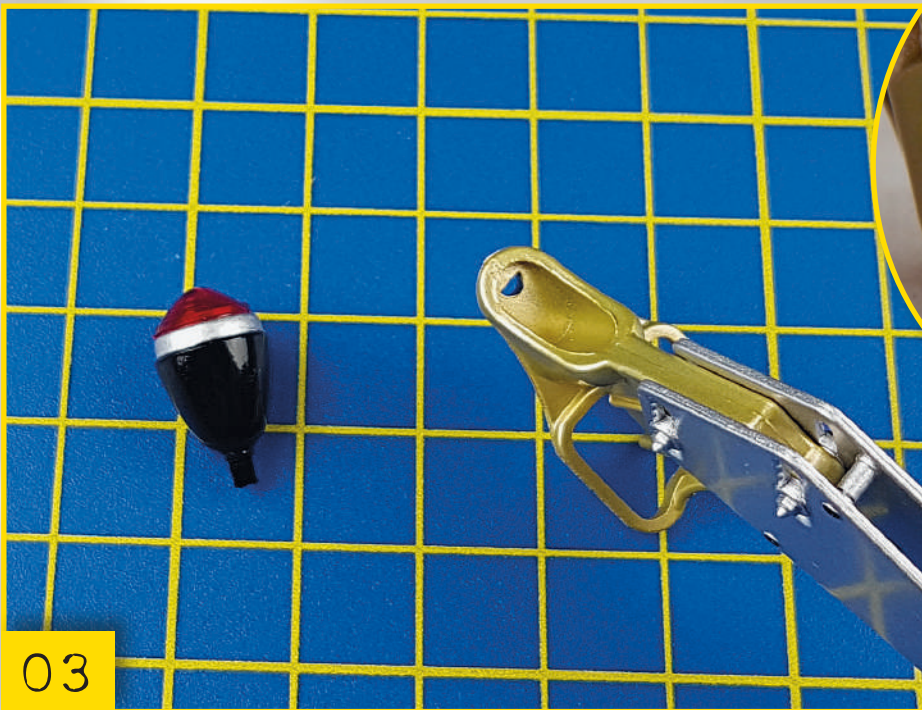
**59-01** Take the body and glass for the tail light from stage 58. The inset image shows the joint structure that you will use to join the two parts in question.

**59-02**

Press the glass into the body of the light, making sure that the rectangular joints match together.



**59-03** Take the rear wing support assembled in the previous stage. The end part of the lower support has a semicircular hole. The body of the light has a pin in the same shape (inset).



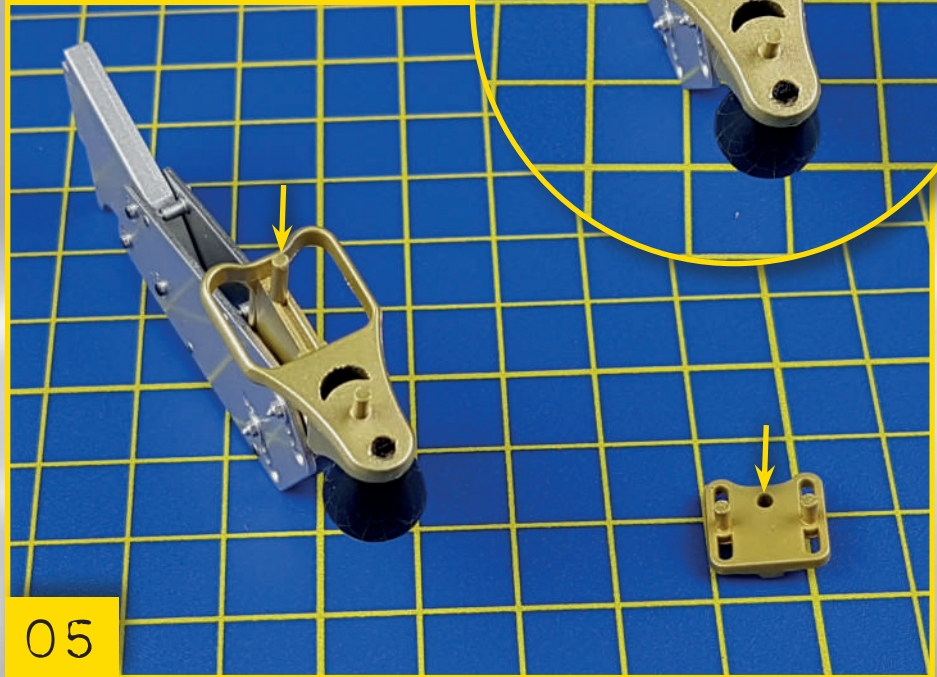




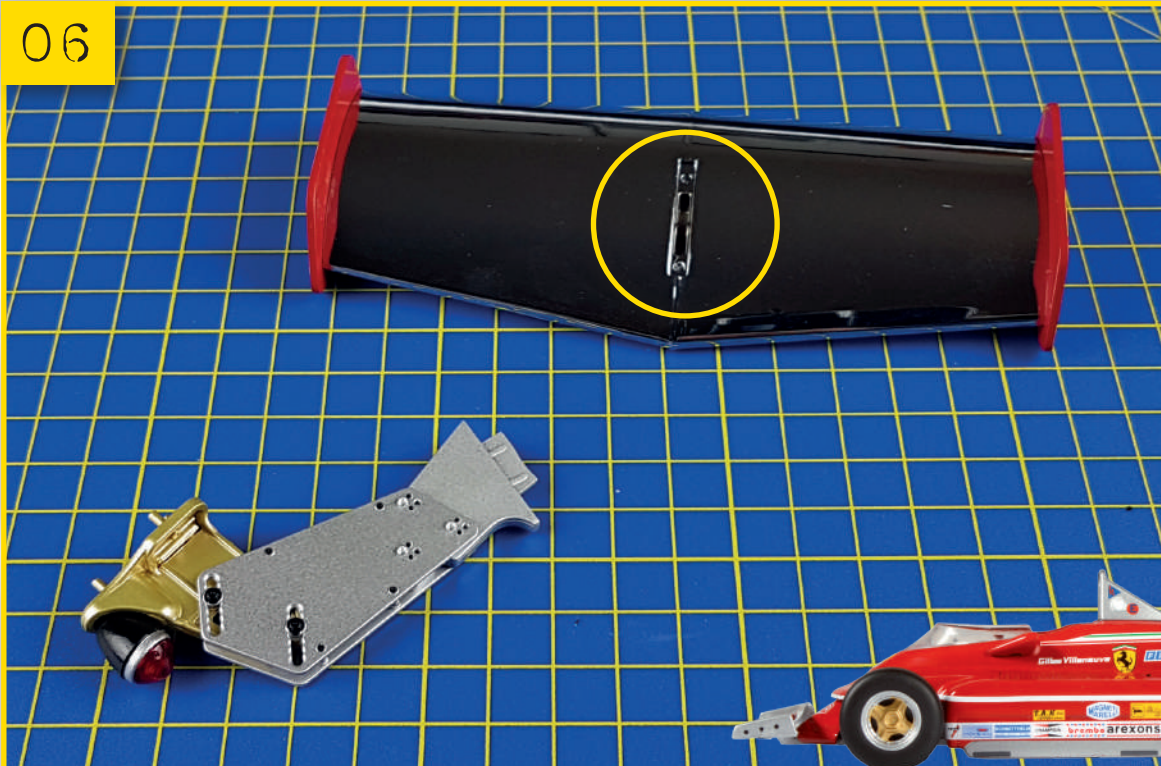
04

**59-04** Press the light into the lower support. If needed, add a drop of plastic adhesive to make sure that the parts are securely joined together.

**59-05** Take the height adjustment bracket for the wing, supplied with stage 58, and place it on your work surface, with the pegs facing upwards. Turn the wing support over, as shown in the photo and press the adjustment plate onto the pin on the lower structure of the support.



05



06

**59-06** Now take the rear wing, as assembled previously, and turn it over to identify the joint for the support.





**59-07** Press the support into the seat, turning it so it faces the same direction as the image.

#### FINAL RESULT

This is how the rear wing of your 1:8 scale Ferrari 312 T4 will look at the end of this assembly stage.



#### In the next stage

The parts of the starter motor.





# STARTER MOTOR

WITH THE PARTS YOU RECEIVE IN THIS STAGE, YOU'LL BUILD THE STARTER MOTOR FOR YOUR 1:8 SCALE FERRARI 312 T4 AND FIT IT TO THE GEARBOX.



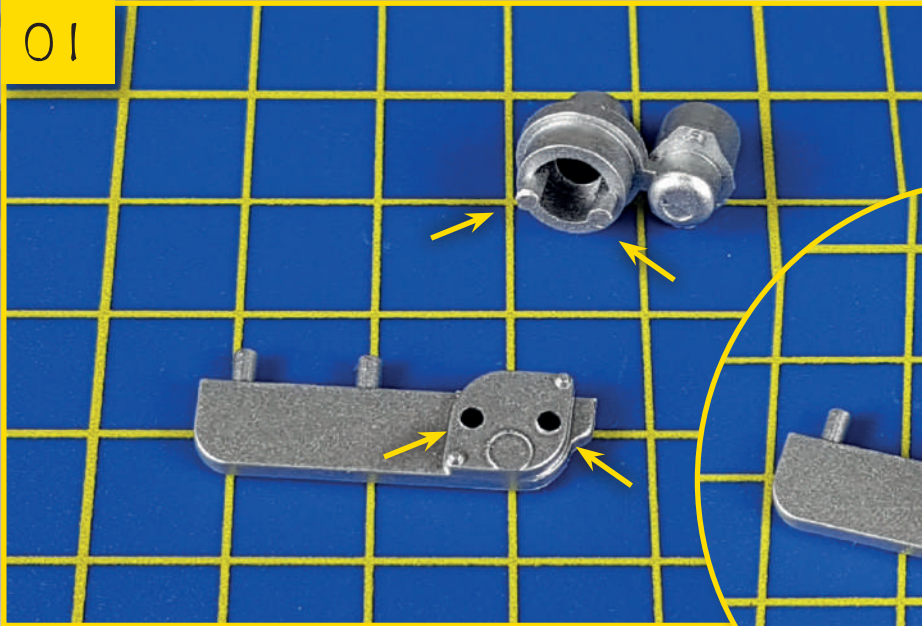
## LIST OF PARTS

- 1 Starter motor casing
- 2 Base
- 3 Starter connection
- 4 Starter motor bracket

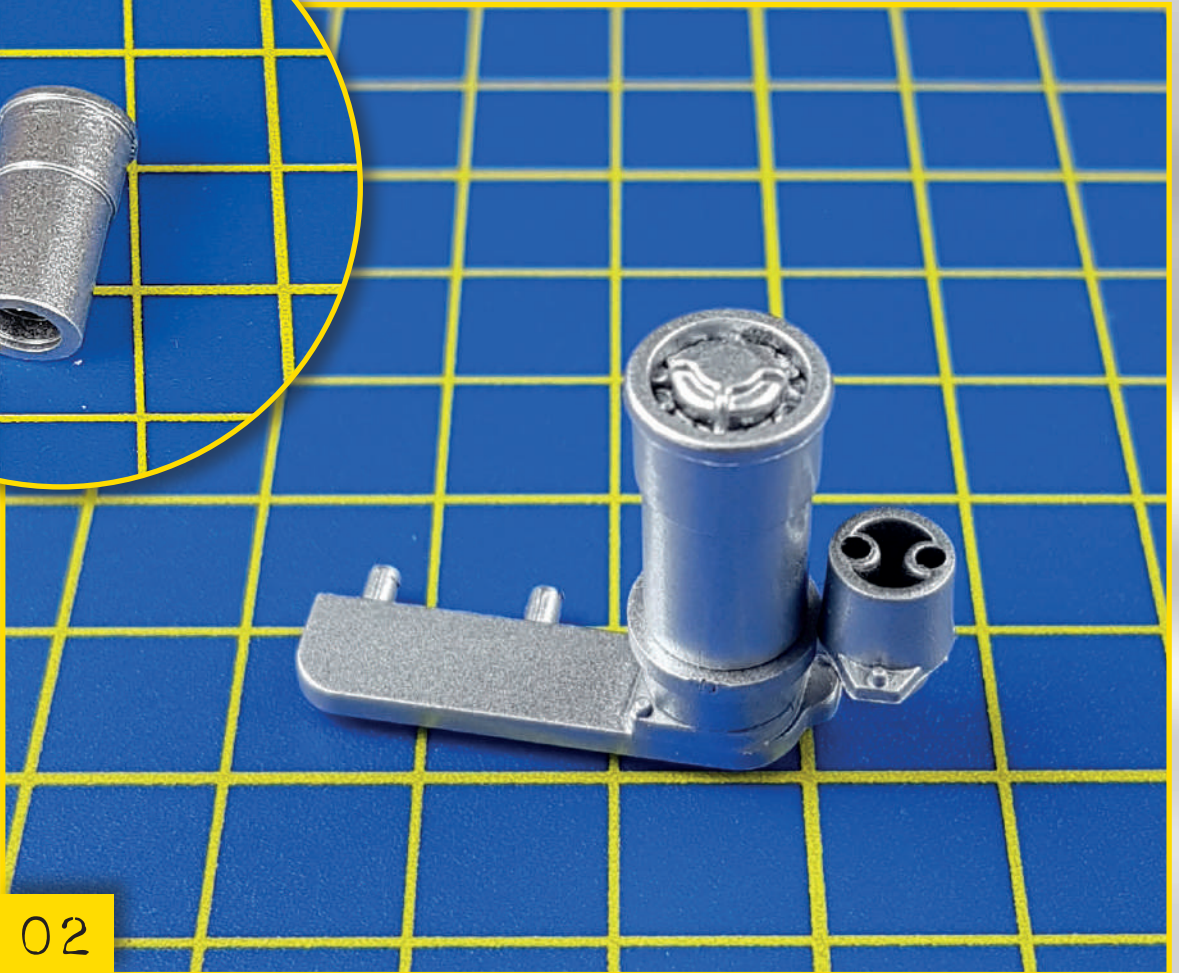
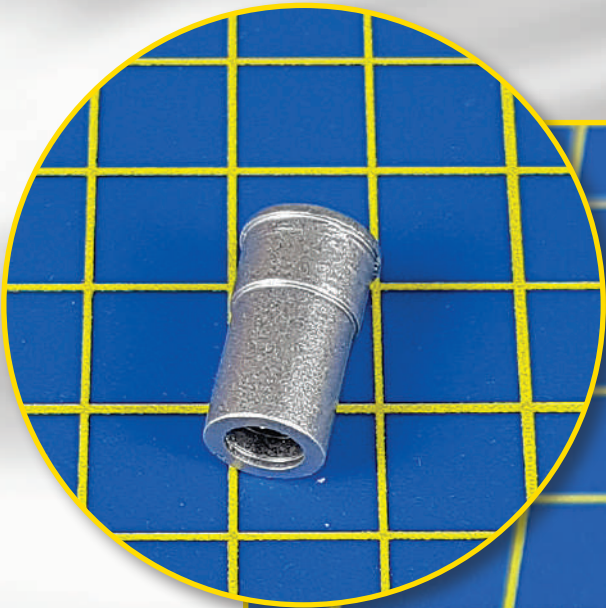




01



**60-01** Place the bracket and base on your work surface. Identify the two pins of the base and the corresponding holes in the bracket, then join the two parts using these.

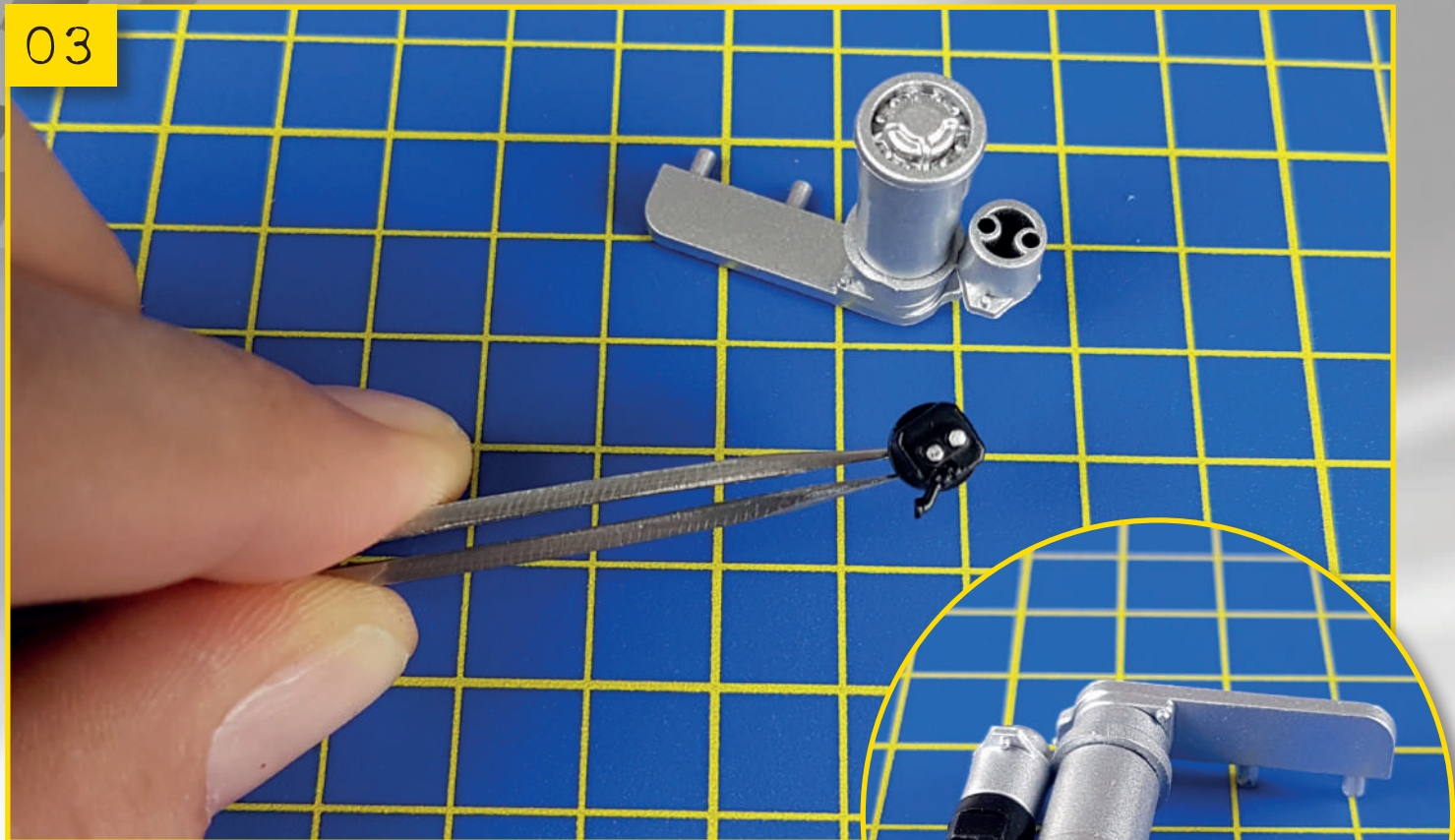


02

**60-02** Press the casing onto the base.

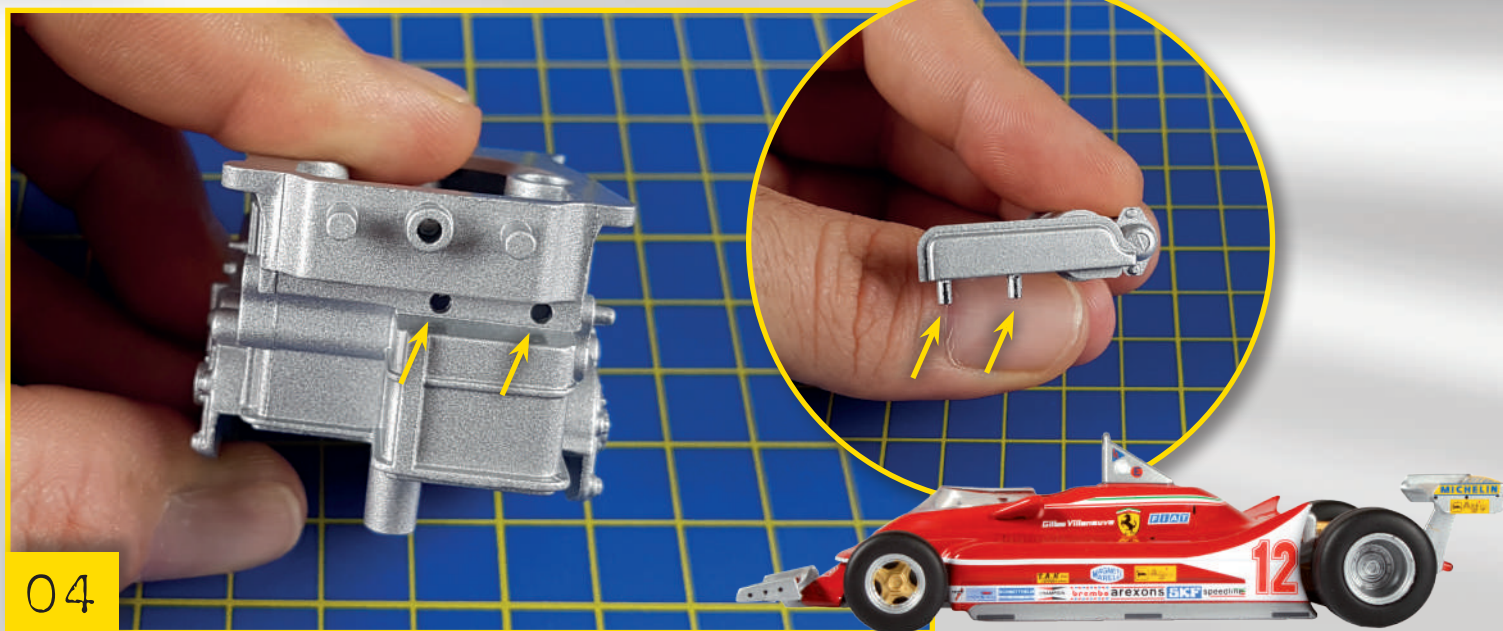


03



**60-03** Next fit the starter connection onto the assembly. It is important for it to be facing the same way, as shown in the images. We recommend using tweezers so as not to damage the part.

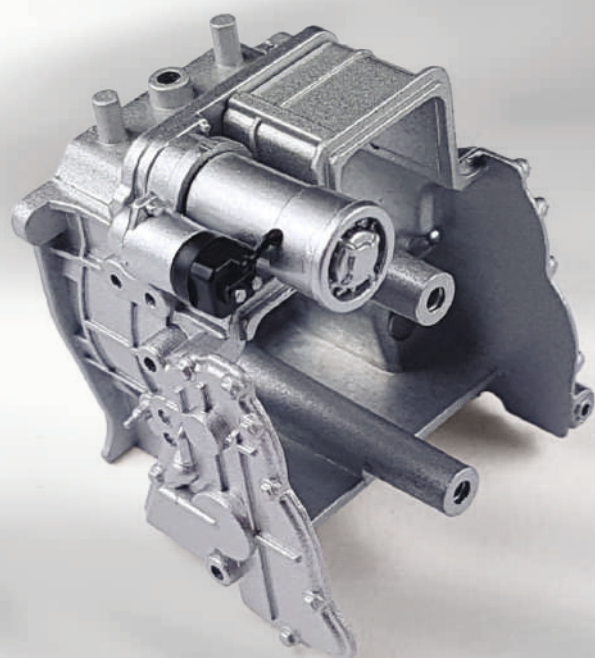
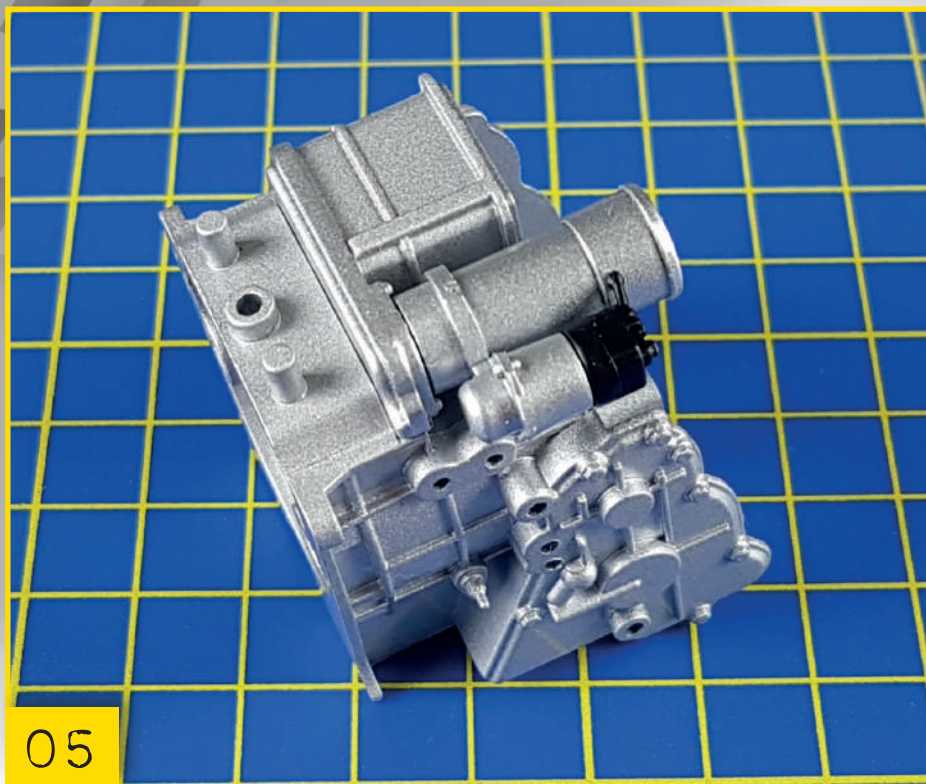
**60-04** Take the base of the gearbox, which you received with the previous stage. As you can see, it has two holes in the bottom. The starter motor bracket has two pins.



04



**60-05** Using the holes and pins described above, fit the starter motor to the gearbox, pressing until the fit is flush.

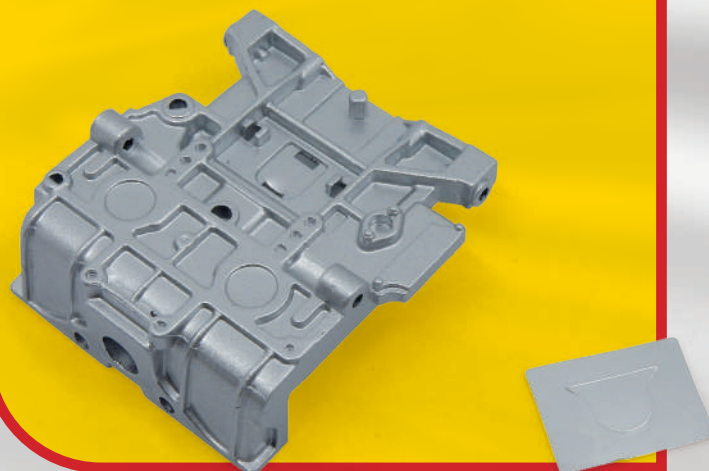


**FINAL RESULT**

The starter motor is now joined to the base of the gearbox.

**In the next stage**

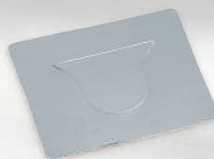
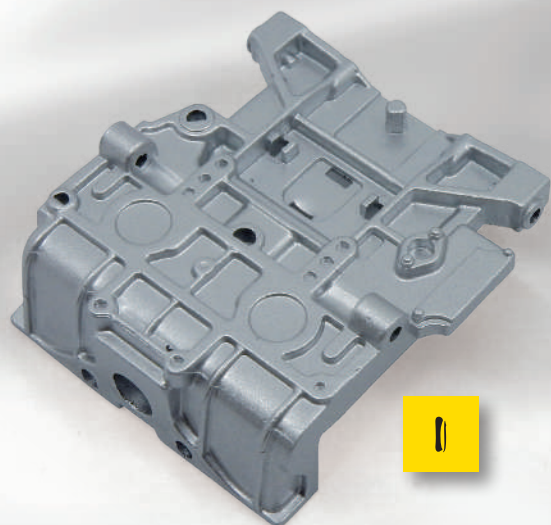
The top part of the gearbox, a decal, and the screws necessary for assembly.





# TOP PART OF THE GEARBOX

THE PARTS SUPPLIED IN THIS STAGE WILL BE USED TO CONTINUE BUILDING THE GEARBOX ON YOUR 1:8 SCALE FERRARI 312 T4.



5 type N screws

## LIST OF PARTS

- 1 Top part of the gearbox
- 2 Sticker

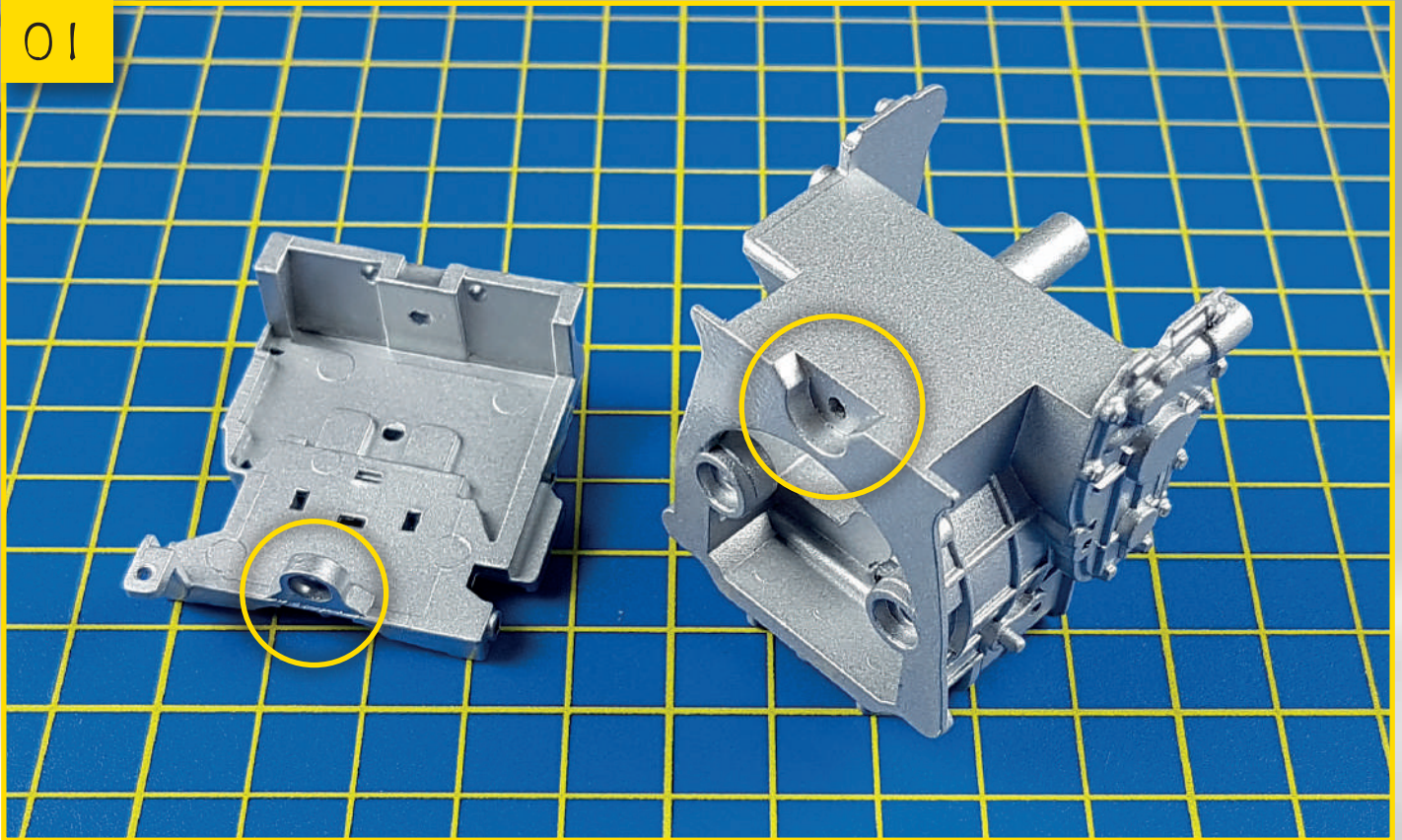
## SCREWS

Five type N screws

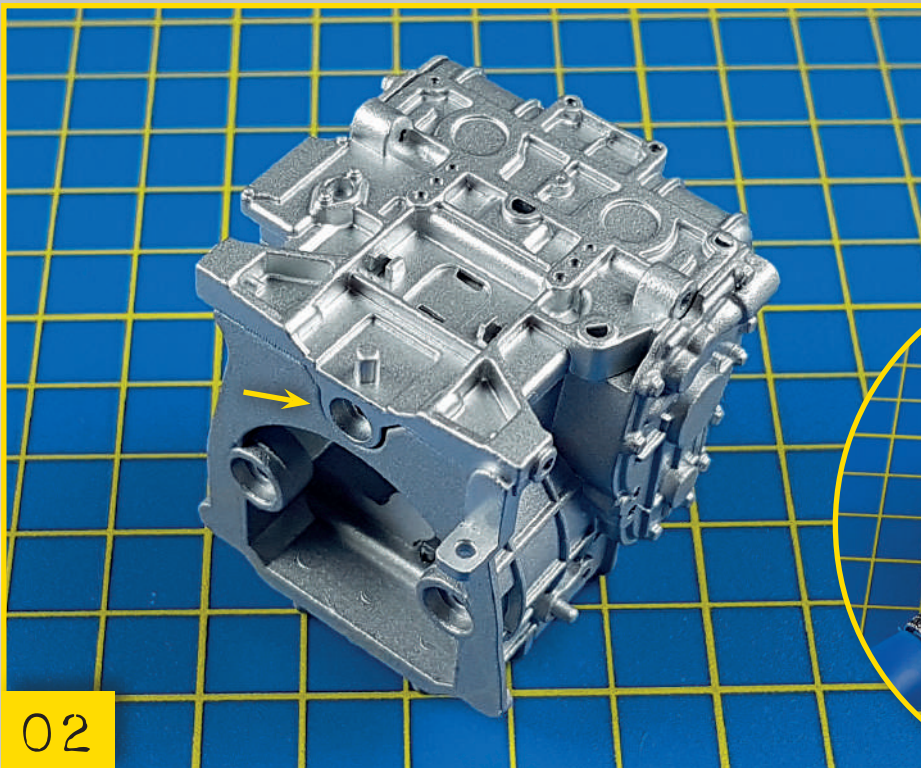




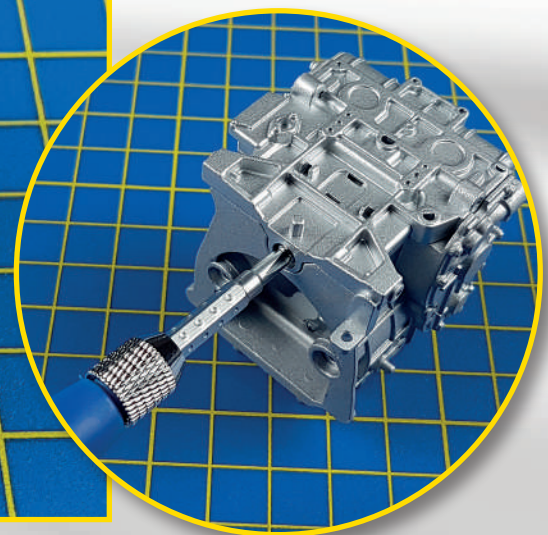
01



**61-01** Place the base of the gearbox, with starter motor you installed during the last assembly stage, on your work surface, together with the top part of the gearbox. The image highlights the outline of the seat for the assembly screw. This element will help you when centring the parts.

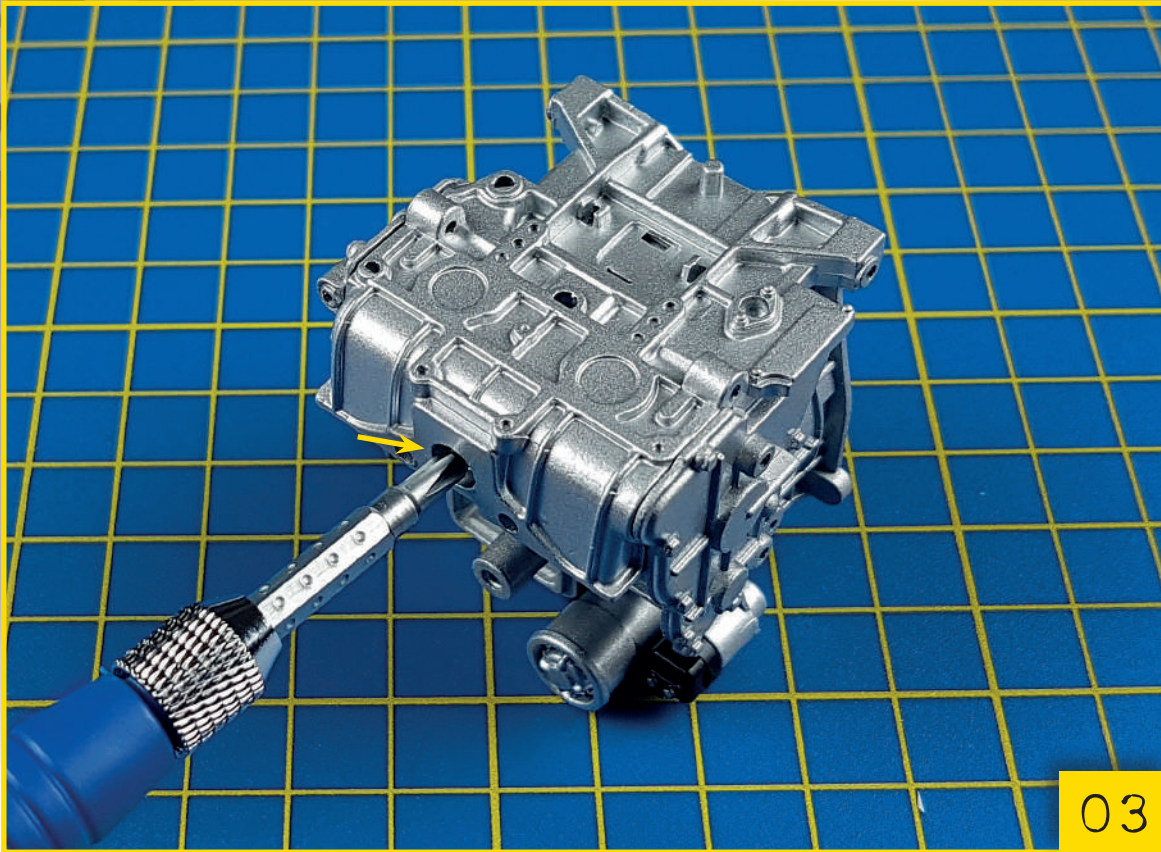


**61-02** Join the two parts together. Then stabilise the assembly with a type N screw. Tighten it fully with a suitable Phillips screwdriver.

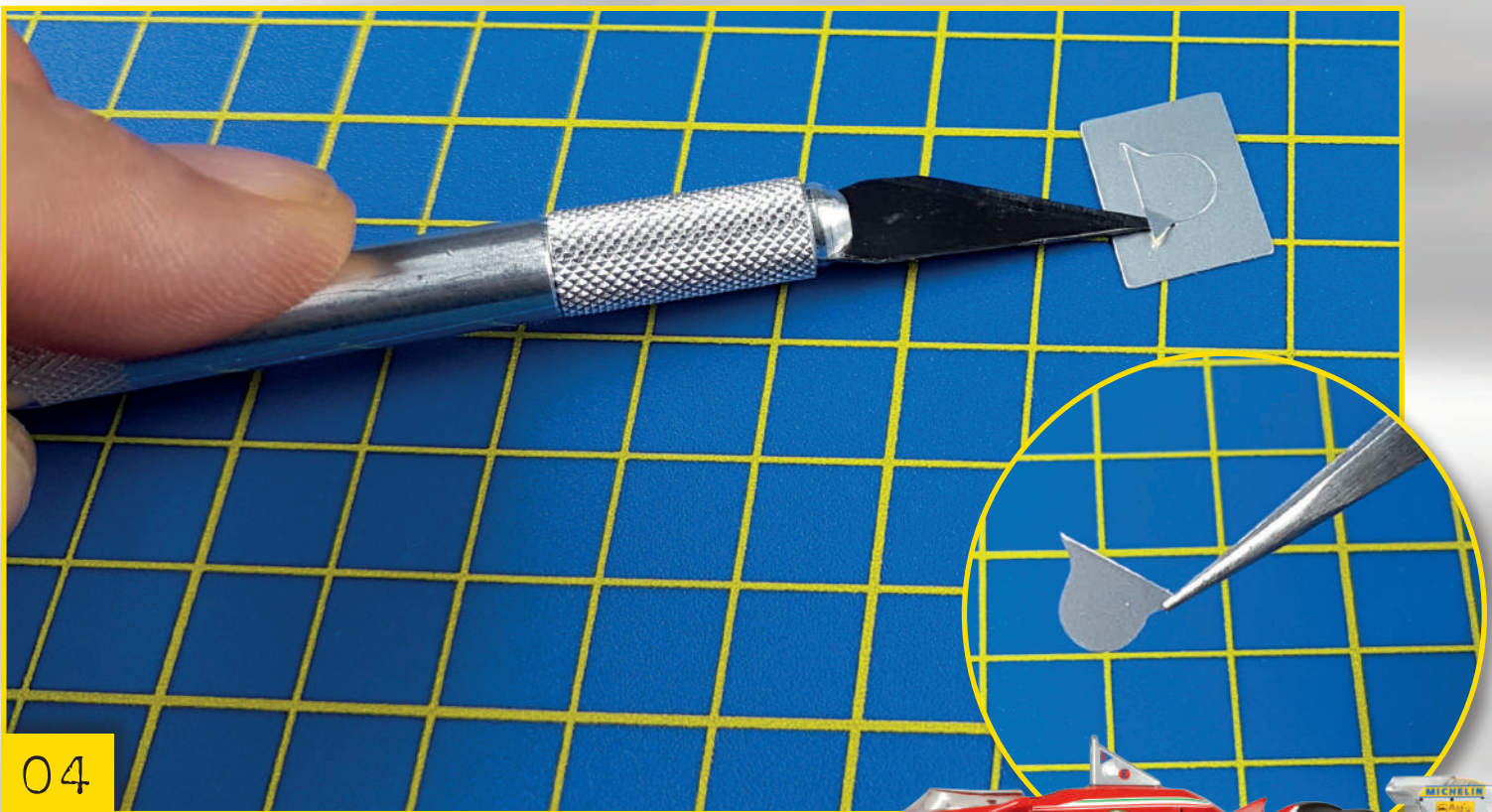


02





**61-03**  
Insert and  
tighten a  
second type  
N screw in  
the hole as  
shown in the  
image.

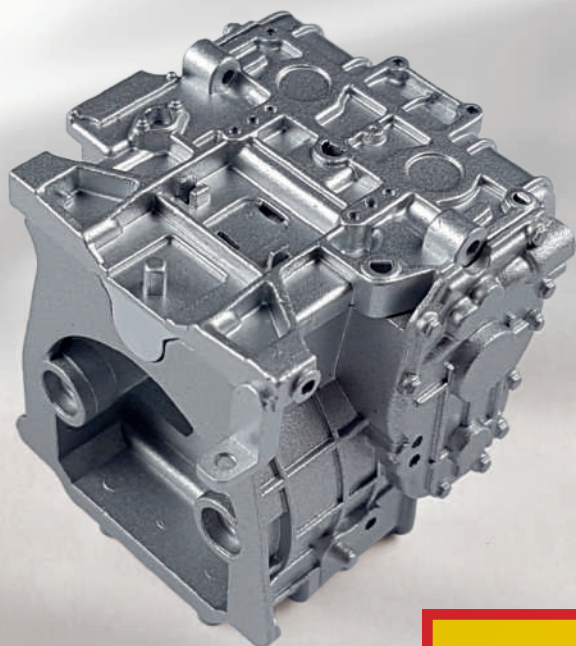
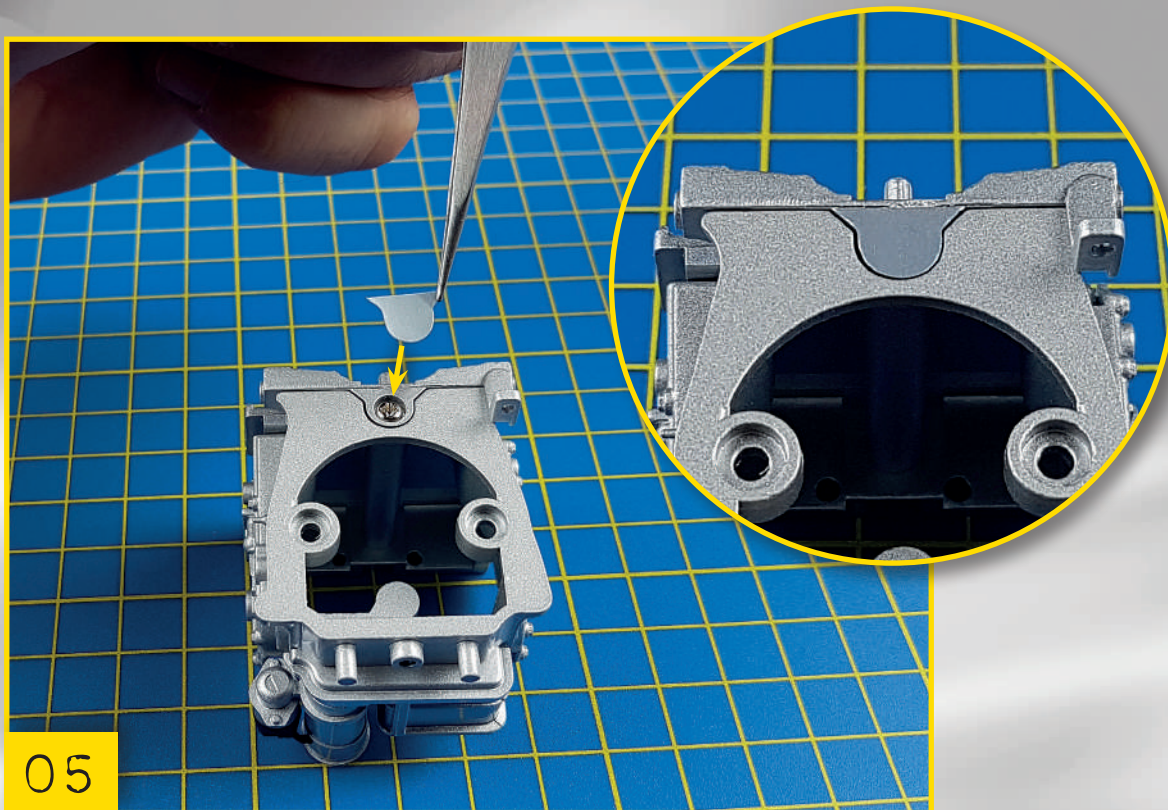


**61-04** Use a hobby knife to lift the sticker away from its backing film. Then remove the sticker using a pair of long-nose pliers.





**61-05** Place the sticker on the housing of the first screw joining the two parts of the gearbox, gently pressing it into place for a firmer hold.

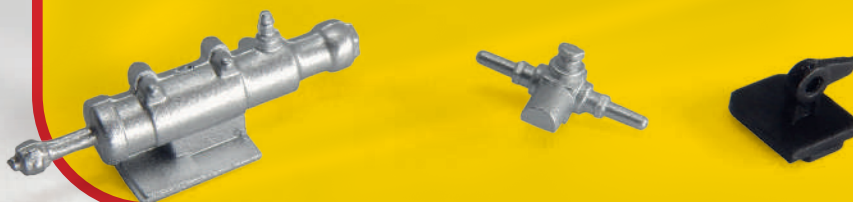


#### FINAL RESULT

The gearbox on your 1:8 scale Ferrari 312 T4 should now look like this. Carefully place it to one side.

### In the next stage

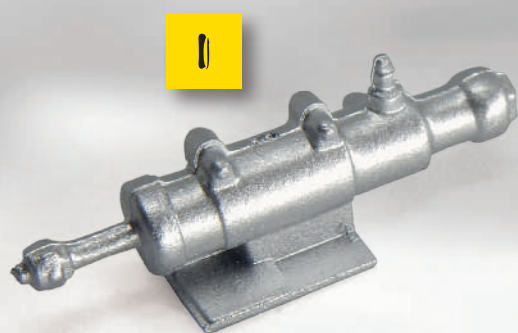
Rear brake pump and break line fittings.





# REAR BRAKE SYSTEM PARTS

THE PARTS FOR THIS STAGE ARE FOR THE REAR BRAKE SYSTEM, WHICH ARE TO BE FITTED ON THE GEARBOX ASSEMBLED DURING THE PREVIOUS STAGE.

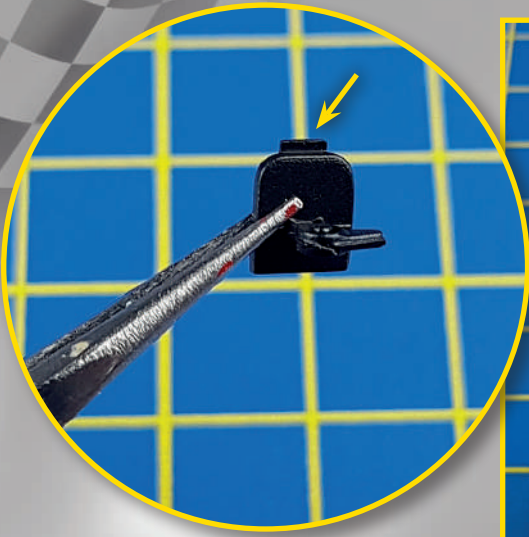


## LIST OF PARTS

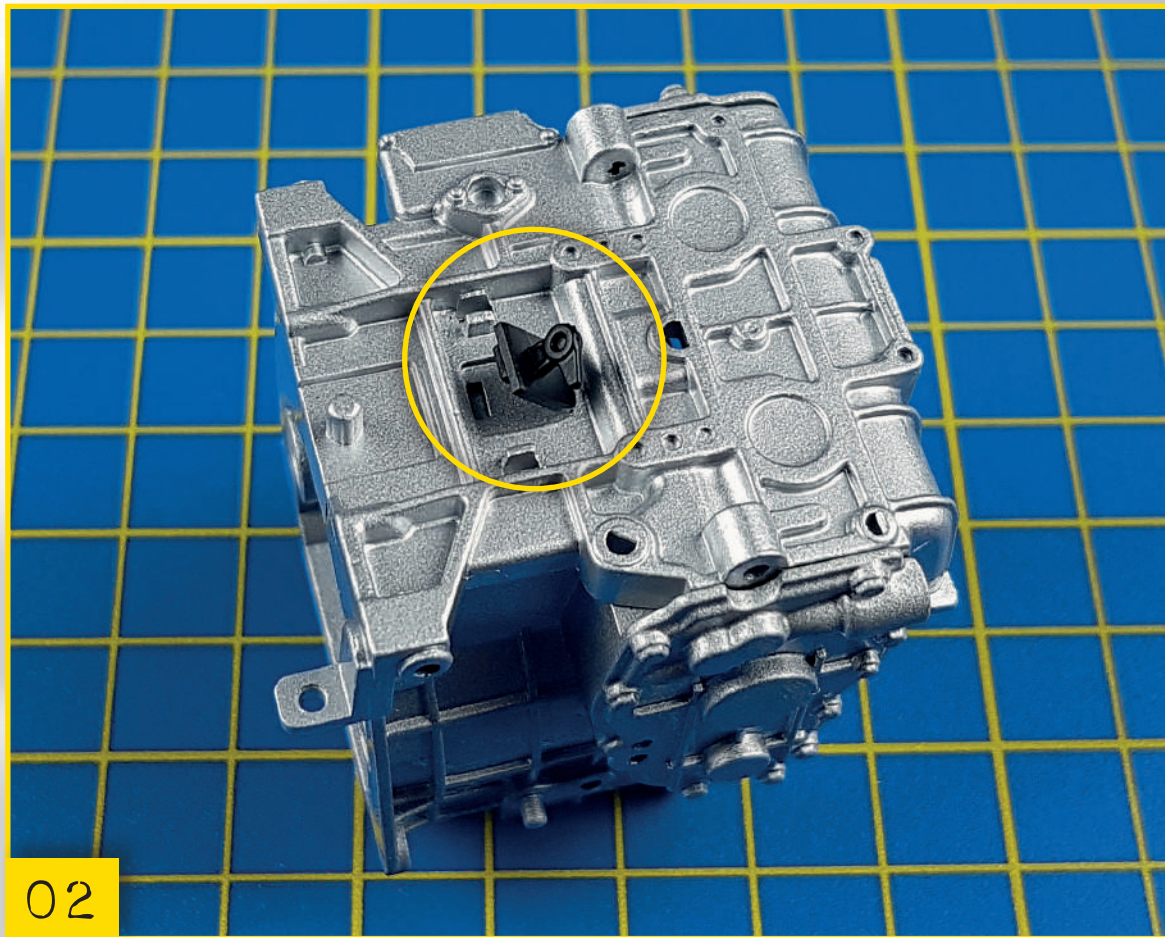
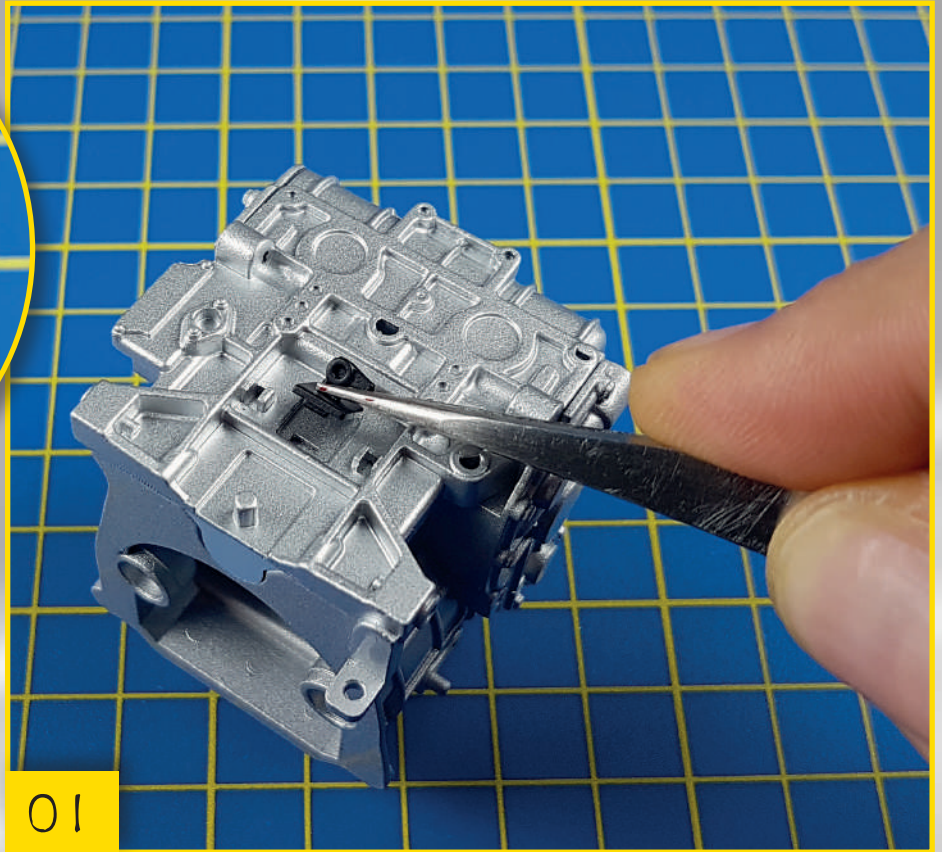
- 1 Rear brake pump
- 2 T-shaped union
- 3 Piston limit stop







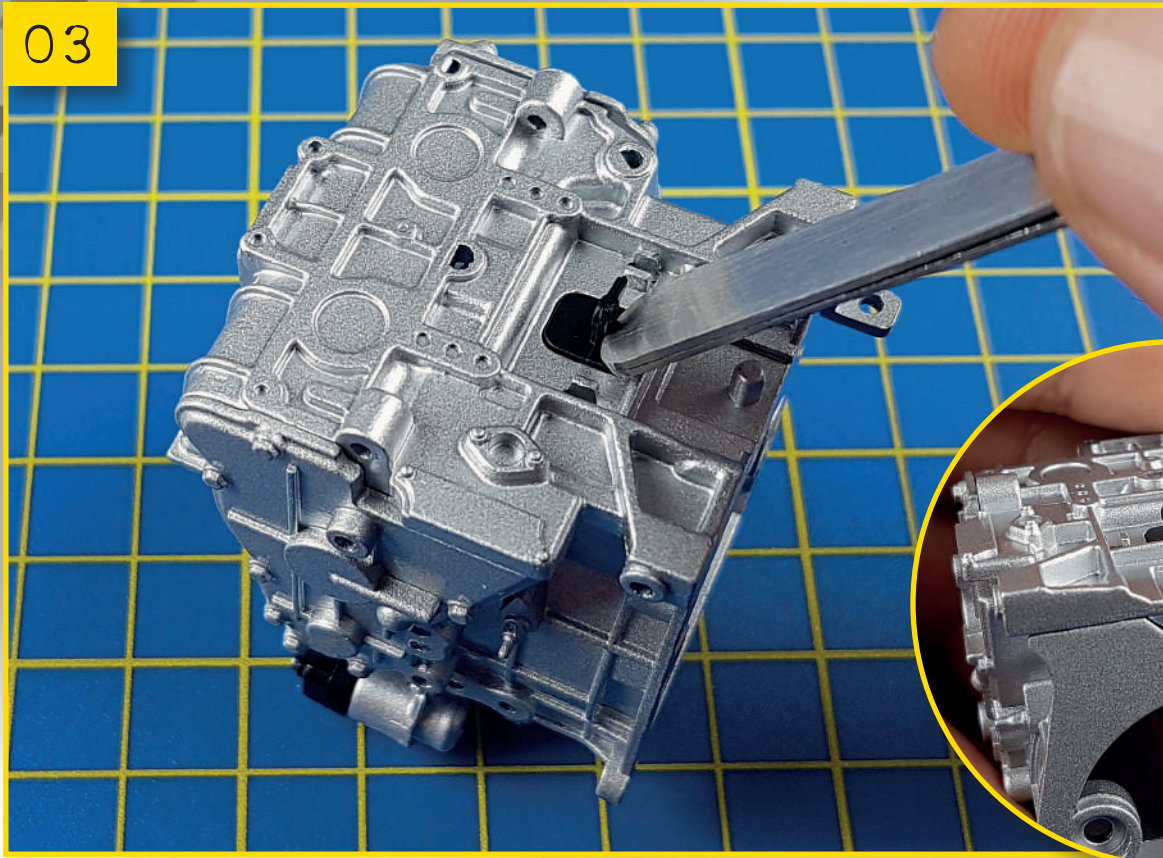
**62-01** Use tweezers to pick up the piston limit stop. The rectangular projection, highlighted by an arrow in the inset photo, must be inserted in the recess in the gearbox.



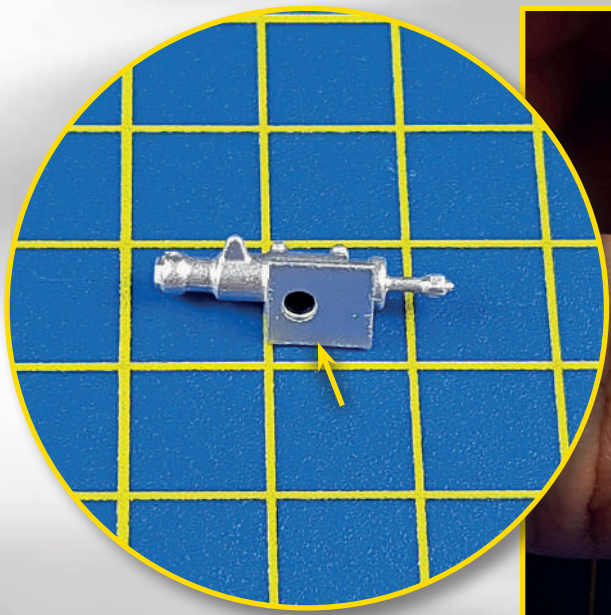
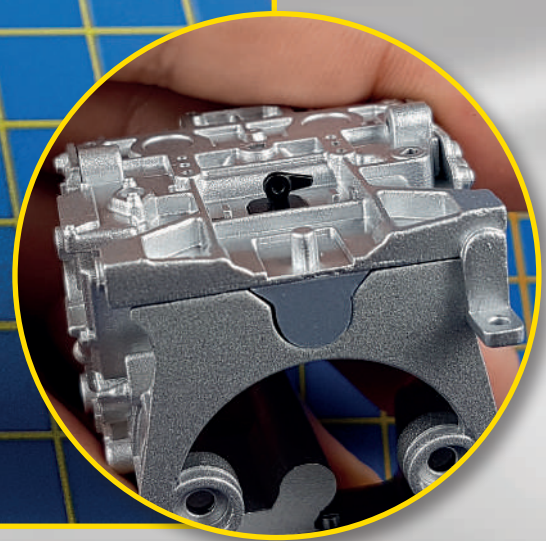
**62-02** If the previous step has been carried out correctly, the limit stop will be set at an angled position.



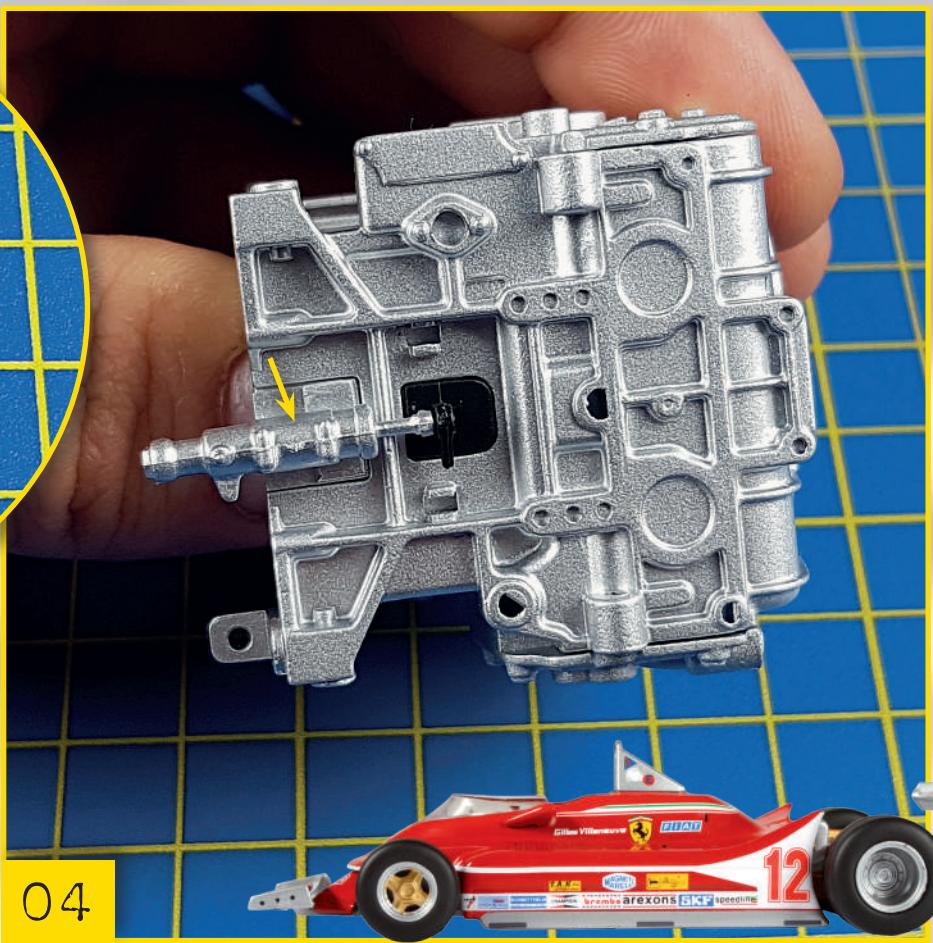
03



**62-03** Press on the limit stop as shown to fix it onto the gearbox.

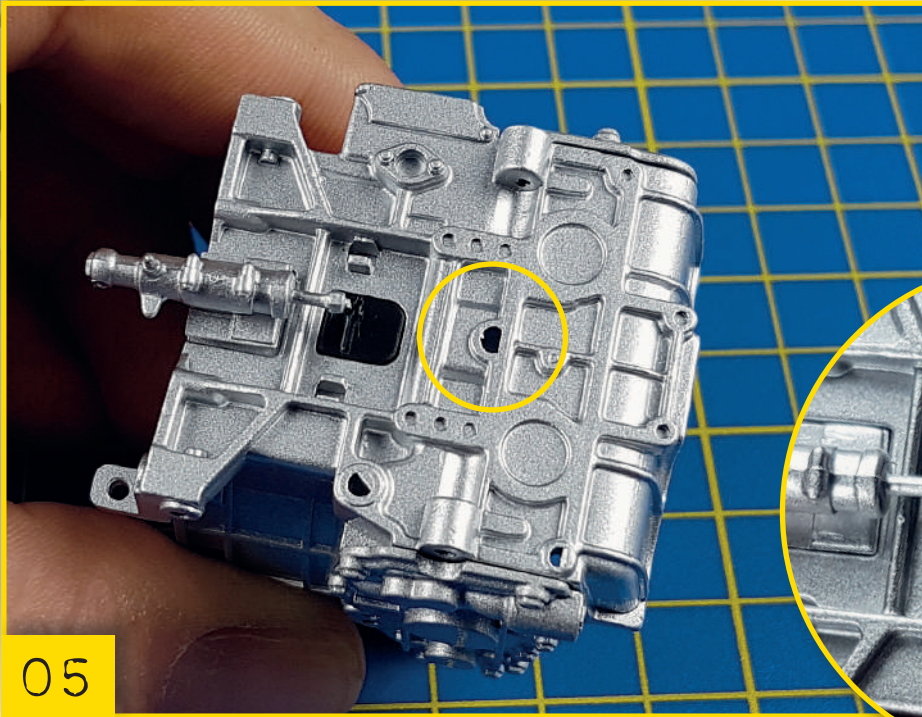


**62-04** On the bottom side of the pump is an off-centre hole, as shown in the inset photo. Fit the part to the gearbox by slotting the pin on the gearbox, beside the limit stop, into this hole.

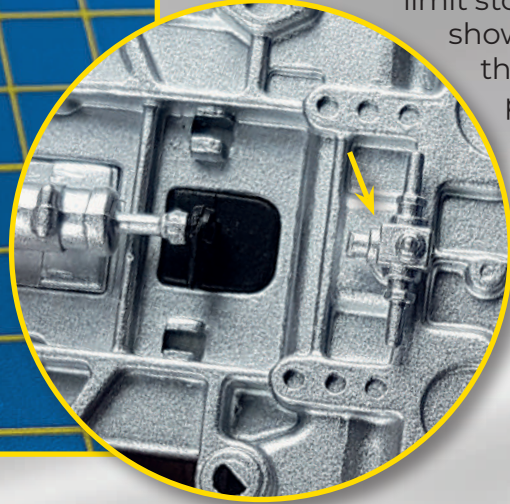


04



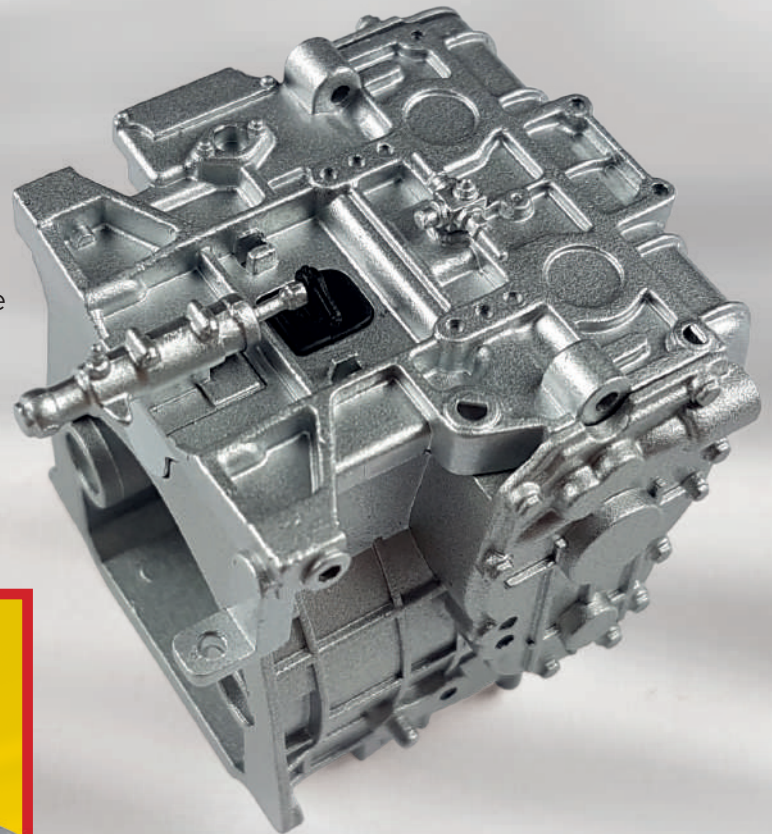


**62-05** Now press the T-shaped union onto the gearbox assembly. The union has a semicircular pin that is inserted in the corresponding hole (circled), which is opposite the piston limit stop, as shown in the inset photo.



### FINAL RESULT

Now you have added some parts from the brake system to your 1:8 scale Ferrari 312 T4.



### In the next stage

Parts of the rear brake discs and axle.

