



FERRARI

312 T4

THE LEGENDARY 1970s F1 FERRARI

PACK **05**

STAGES 34-42



SCALE
1:8

AGORA
MODELS®



FERRARI

312 T4

SCALE
1:8

Contents

STAGE 34	
GEAR LEVERS AND ANTI-ROLL BAR LEVER.....	1
STAGE 35	
ELEMENTS OF THE PEDAL BOARD.....	5
STAGE 36	
COCKPIT UNDERBODY.....	9
STAGE 37	
NEW DETAILS FOR YOUR MODEL.....	13
STAGE 38	
FRONT ANTI-ROLL BAR.....	17
STAGE 39	
MASTER CYLINDERS, TANKS SUPPORT PLATE, AND BRAKE LINES.....	21
STAGE 40	
SECOND FRONT WHEEL RIM.....	25
STAGE 41	
SECOND FRONT TYRE.....	29
STAGE 42	
FRONT WHEEL BRAKE COMPONENTS.....	33

© Agora Models

AGORA
MODELS.

WARNING: NOT SUITABLE FOR
CHILDREN UNDER THE AGE OF 14.
THIS PRODUCT IS NOT A TOY AND IS
NOT DESIGNED OR INTENDED FOR USE
IN PLAY.
ITEMS MAY VARY FROM THOSE
SHOWN.

Produced under license of Ferrari S.p.A.
The name FERRARI, the PRANCING HORSE
device, all associated logos and distinctive
designs are property of FERRARI S.p.A.
The body designs of the Ferrari cars are
protected as Ferrari S.p.A. property under
design, trademark and trade dress regulations.

GEAR LEVERS AND ANTI-ROLL BAR LEVER

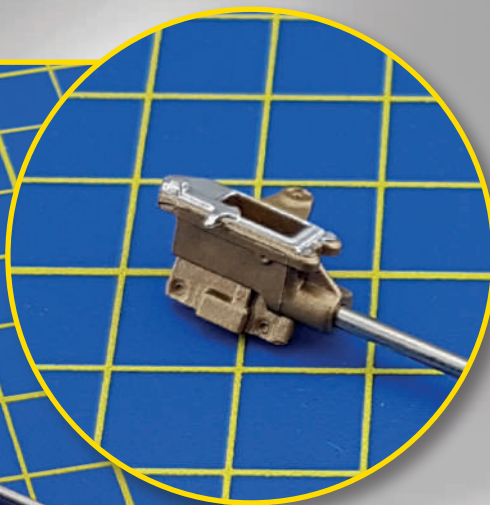
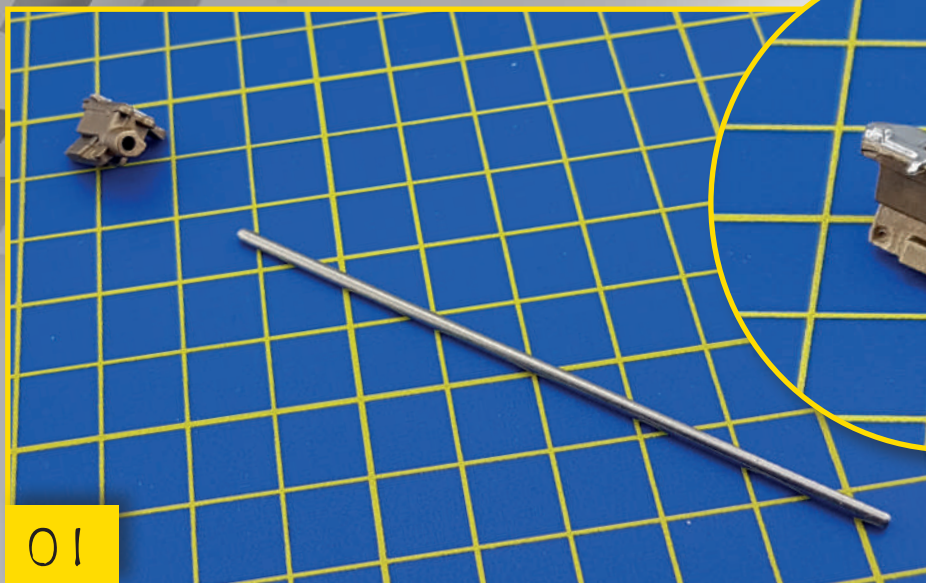
WITH THESE PARTS FOR STAGE 34, YOU WILL ENHANCE THE FERRARI 312 T4 COCKPIT WITH OUTSTANDING NEW DETAILS.



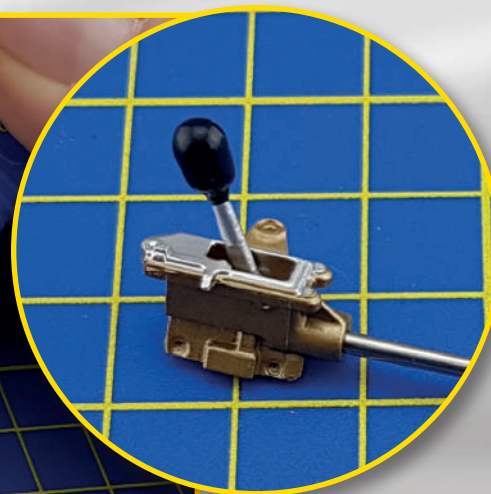
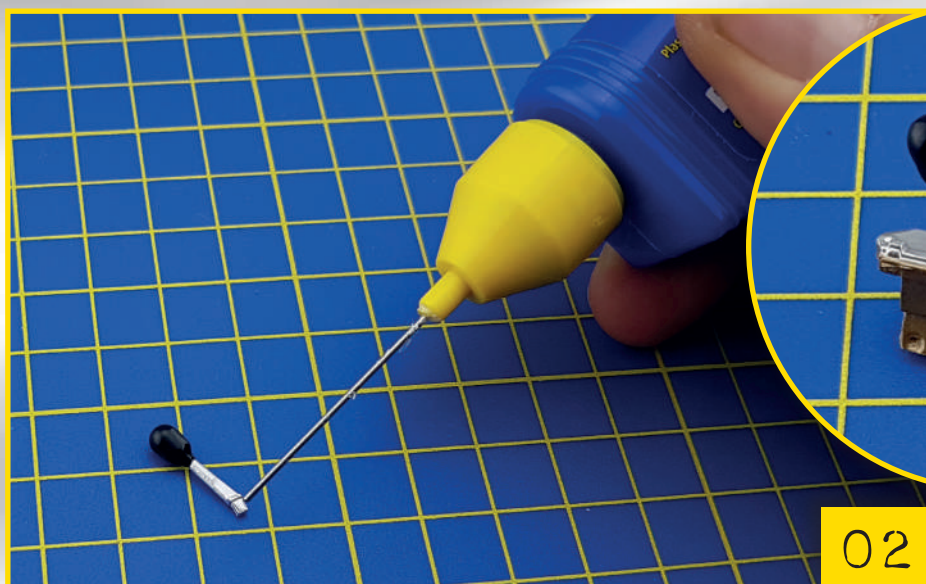
LIST OF PARTS

- 1 Gear shaft
- 2 Anti-roll bar lever
- 3 Gear selector
- 4 Gear lever

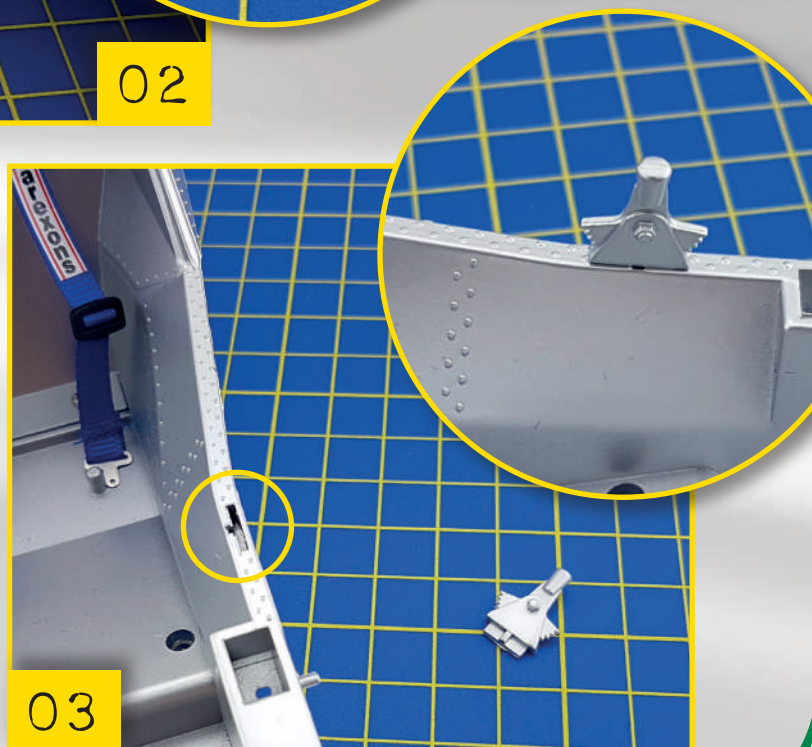




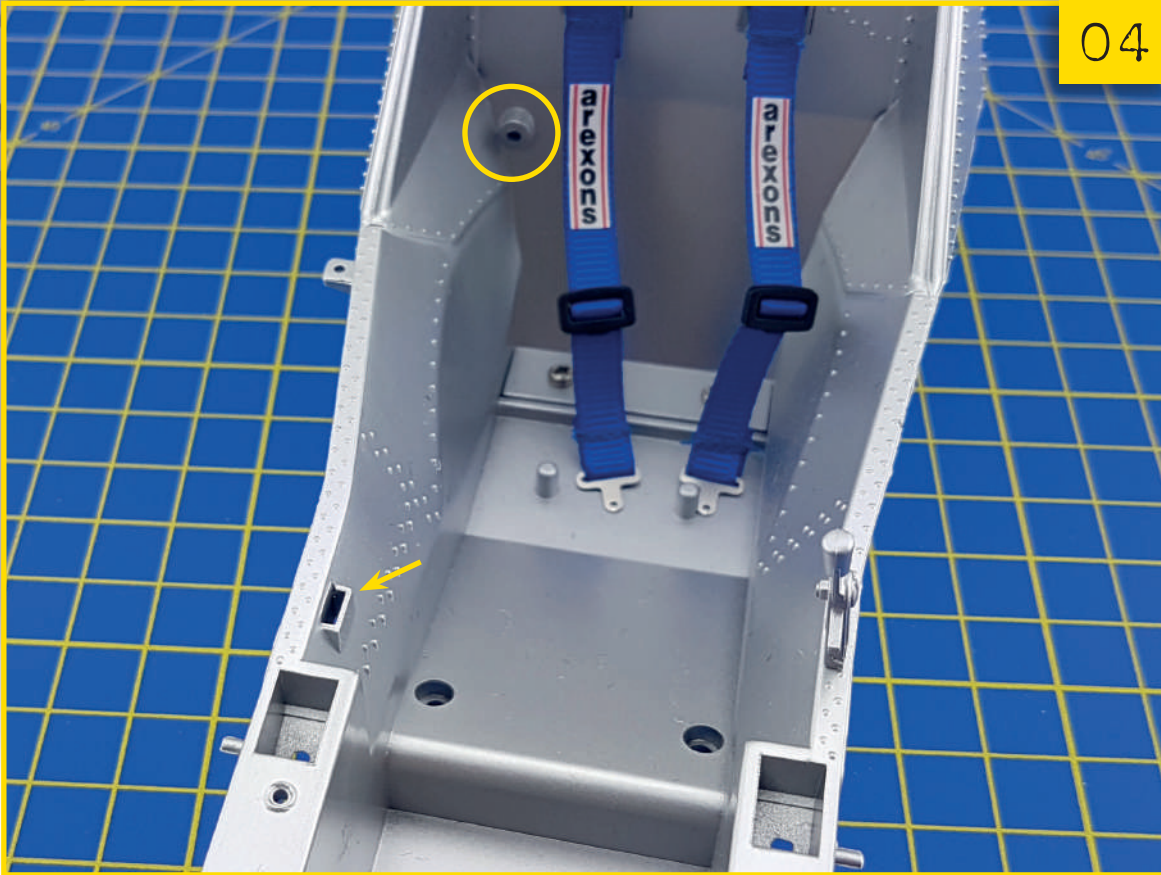
34-01 Insert one end of the gear shaft into the side hole in the gear selector.



34-02 Apply a drop of plastic glue to the gear lever then insert the lever in to the selector, as shown in the images.

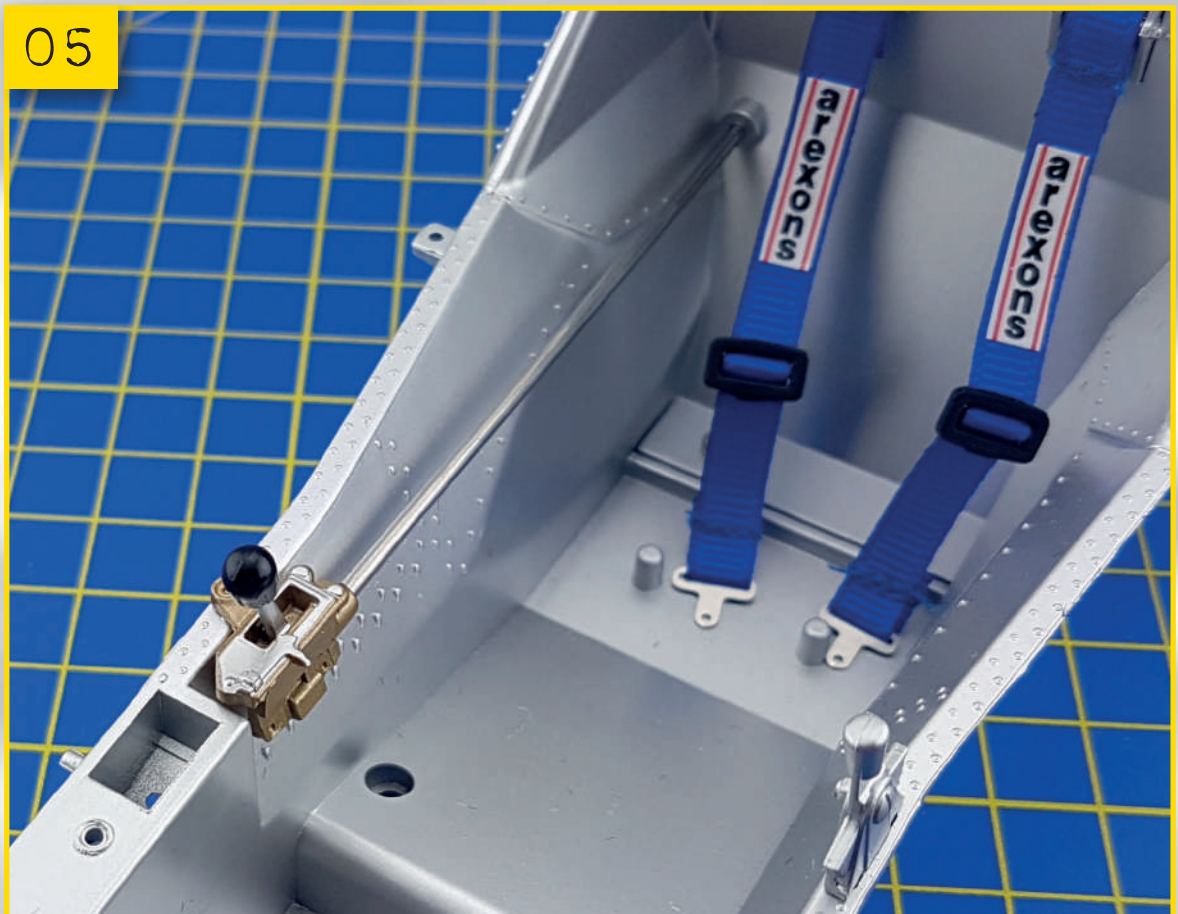


34-03 Using the shaped fitting, attach the anti-roll bar lever on to the cockpit.



04

34-04
 Before attaching the gear assembly to the cockpit cradle, note the circle in the image that shows the fixing point for the shaft. The arrow indicates the fixing point for the selector.

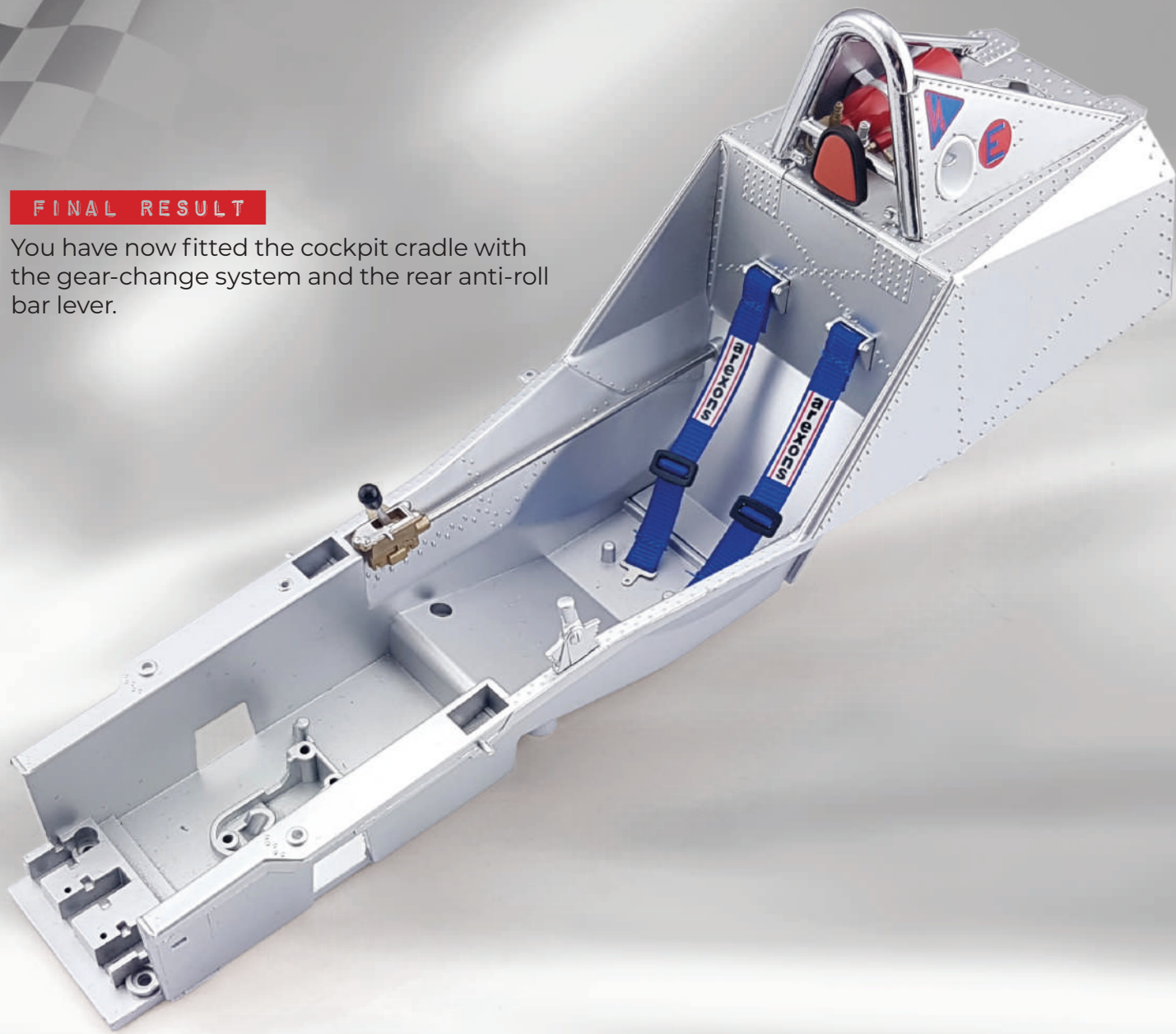


05

34-05
 Fit the gear change assembly in position, using the fixing points highlighted in the previous step.

FINAL RESULT

You have now fitted the cockpit cradle with the gear-change system and the rear anti-roll bar lever.



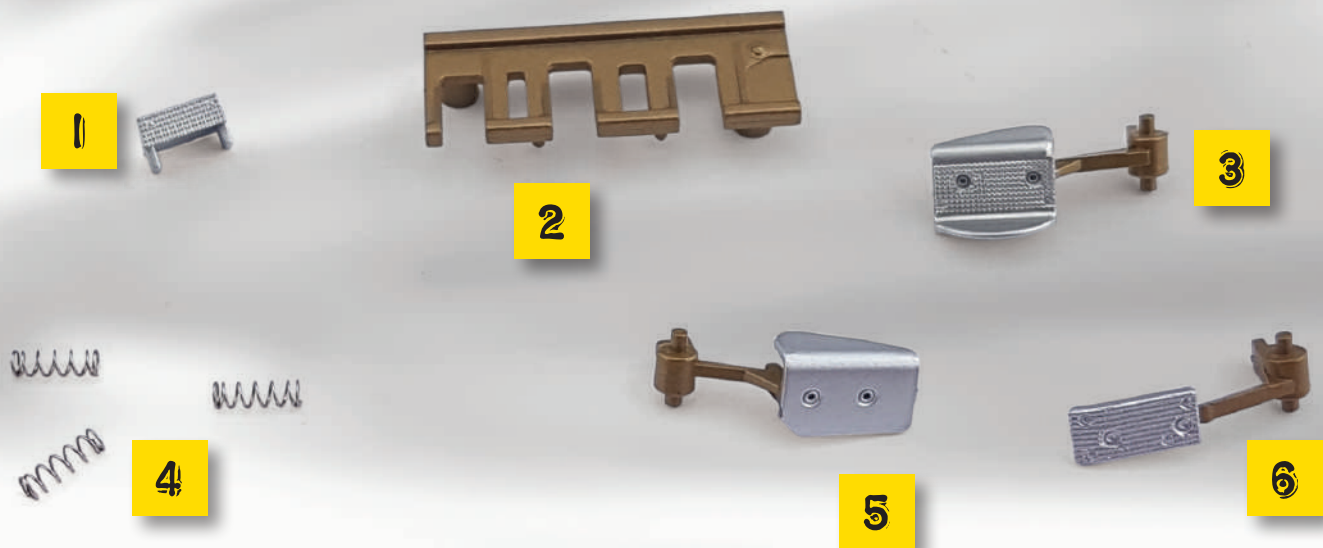
In the next stage

Components for assembling the pedal board.



ELEMENTS OF THE PEDAL BOARD

USING THE COMPONENTS SUPPLIED WITH THIS STAGE YOU CAN BEGIN ASSEMBLING THE PEDAL BOARD OF YOUR 1:8 SCALE FERRARI 312 T4.



3 type J screws



LIST OF PARTS

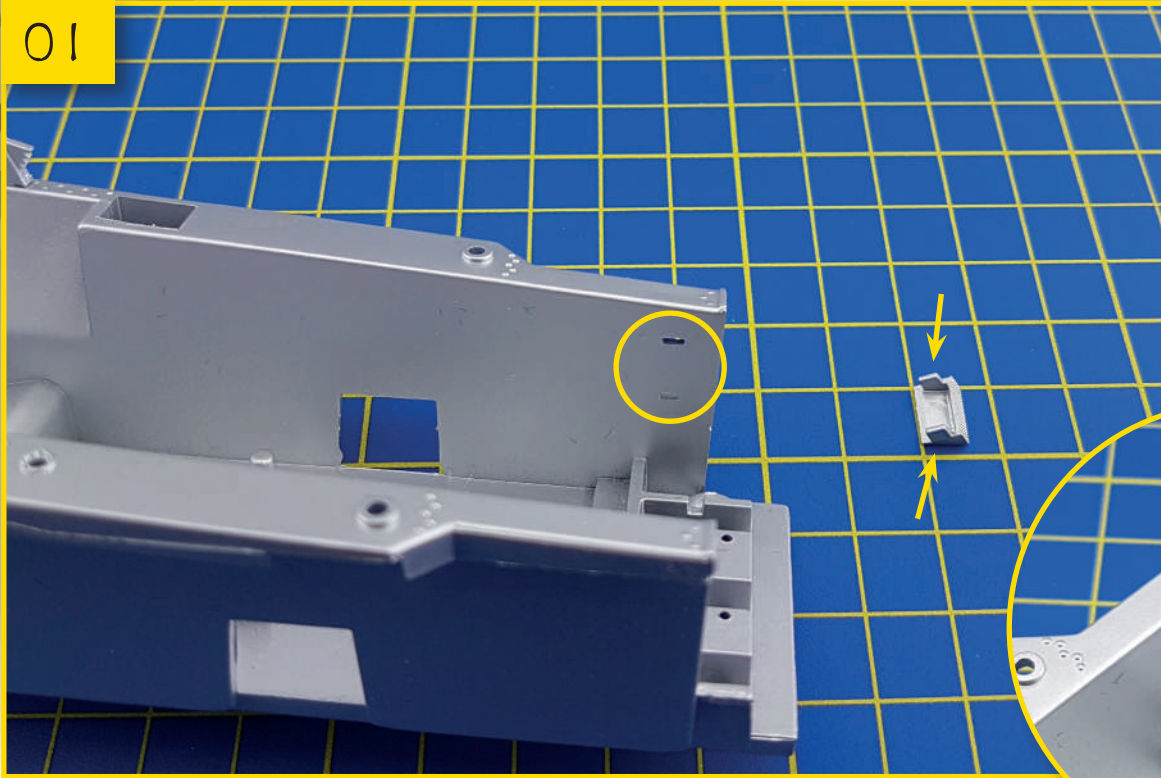
- 1 Baseplate
- 2 Pedal board plate
- 3 Brake pedal
- 4 Three springs
- 5 Accelerator pedal
- 6 Clutch pedal

SCREWS

Three type J screws

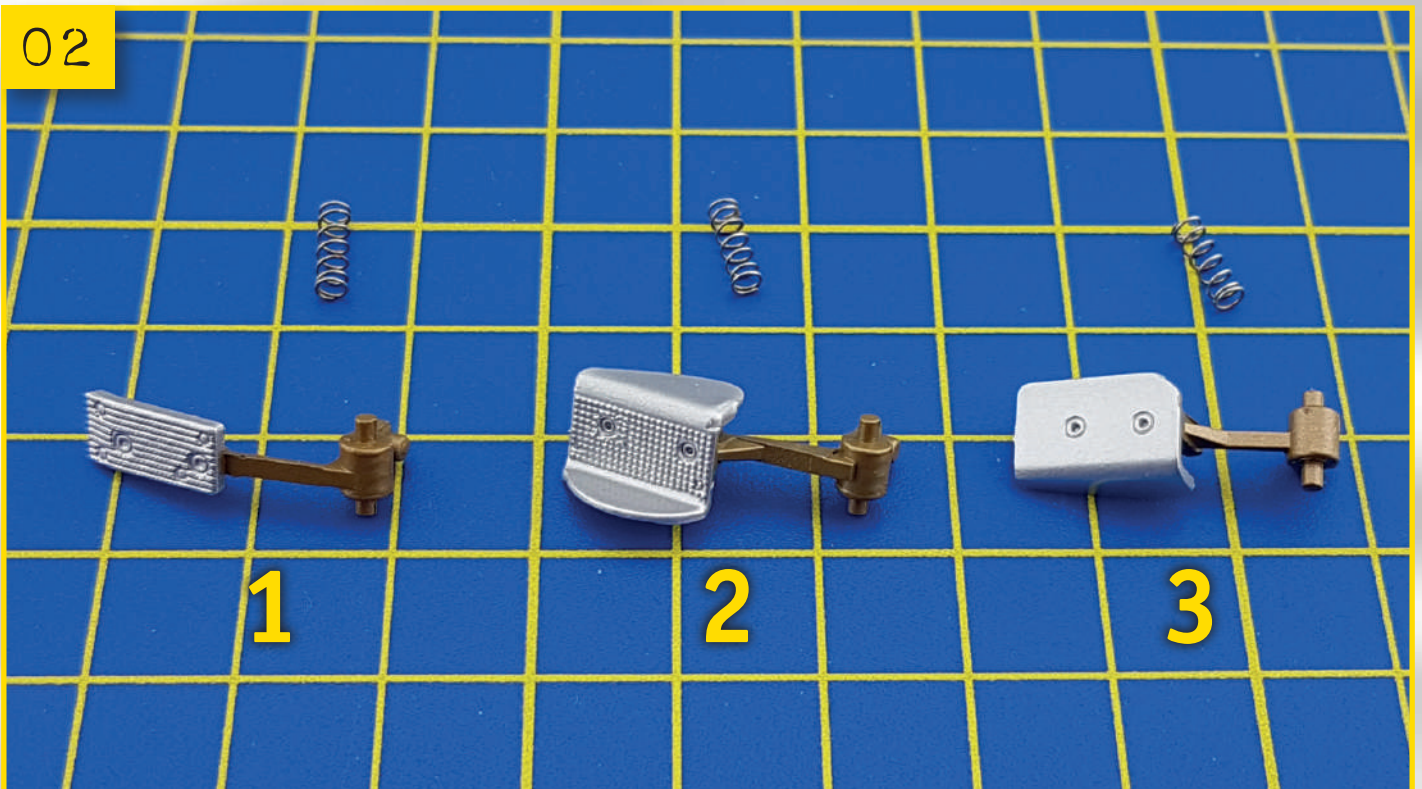


01

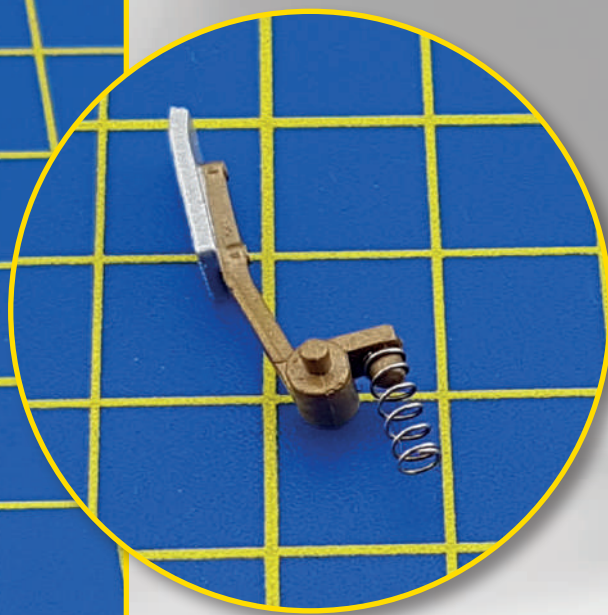
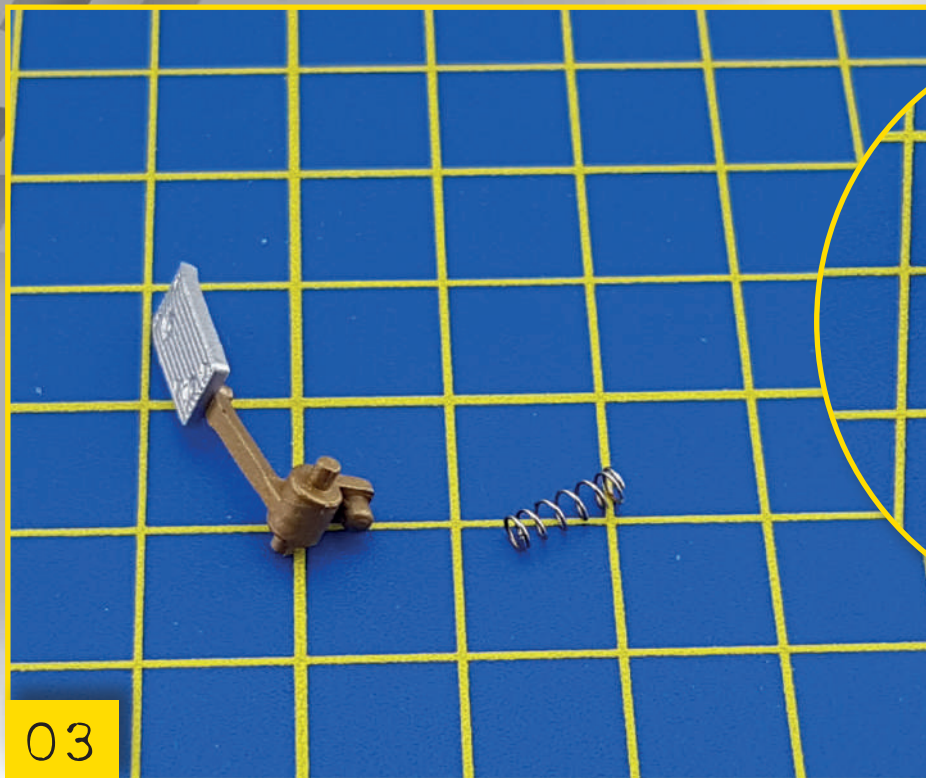


35-01
Connect the baseplate to the front left-hand wall of the cockpit cradle using the pins (arrows) and slots (circled).

02

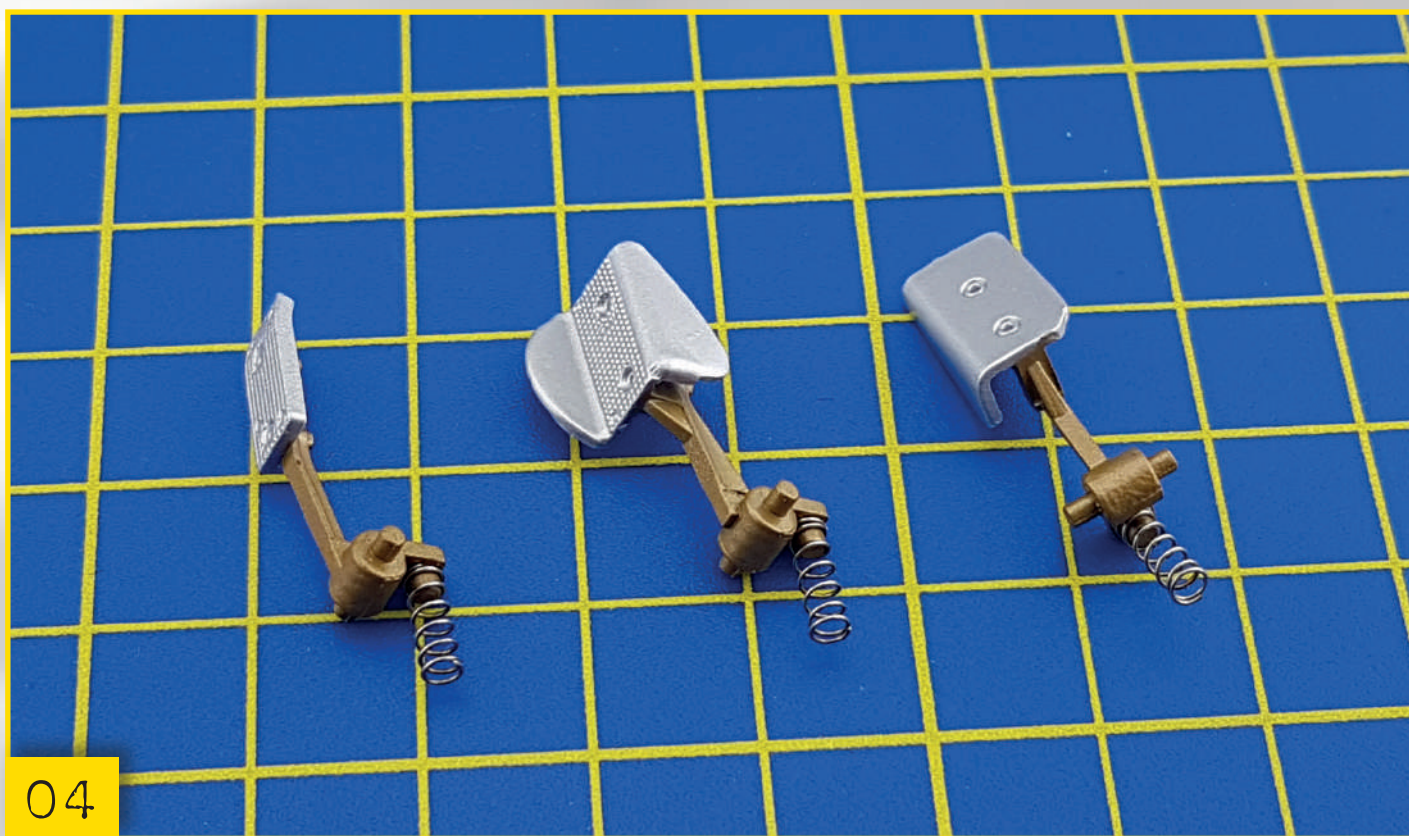


35-02
Place the clutch (1), brake (2), and accelerator (3) pedals on your work surface along with their three springs.



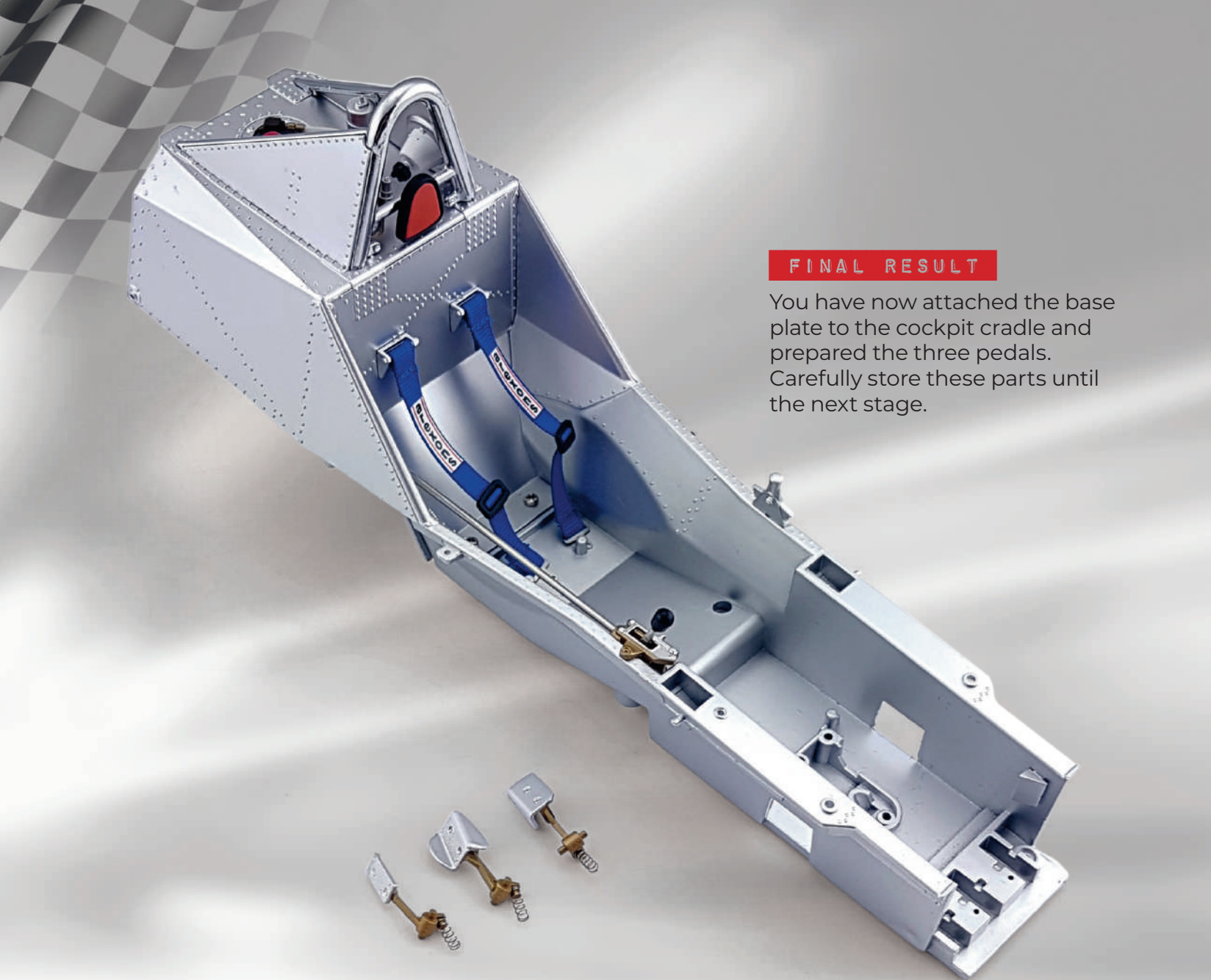
35-03

Fit one of the springs over the pin on the clutch pedal as shown.



35-04

Fit the remaining two springs on to the brake and accelerator pedals in the same way.



FINAL RESULT

You have now attached the base plate to the cockpit cradle and prepared the three pedals. Carefully store these parts until the next stage.

In the next stage
The cockpit underbody of the 1:8 scale Ferrari 312 T4.

COCKPIT UNDERBODY

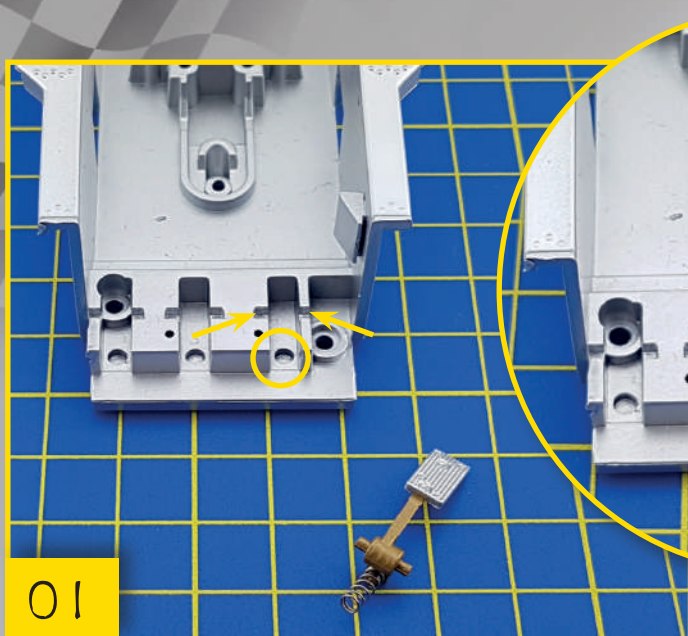
THIS STAGE PROVIDES YOU WITH THE COCKPIT UNDERBODY. THIS WILL BE USED IN A FUTURE STAGE, SO STORE IT AWAY SAFELY FOR NOW.



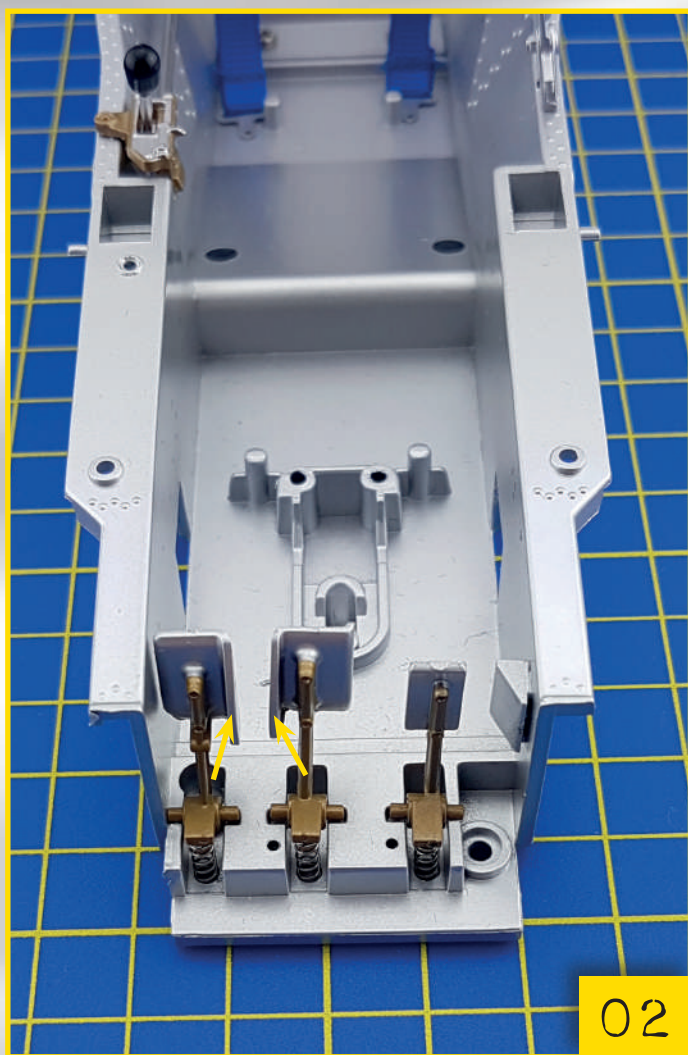
LIST OF PARTS

- 1 Cockpit underbody

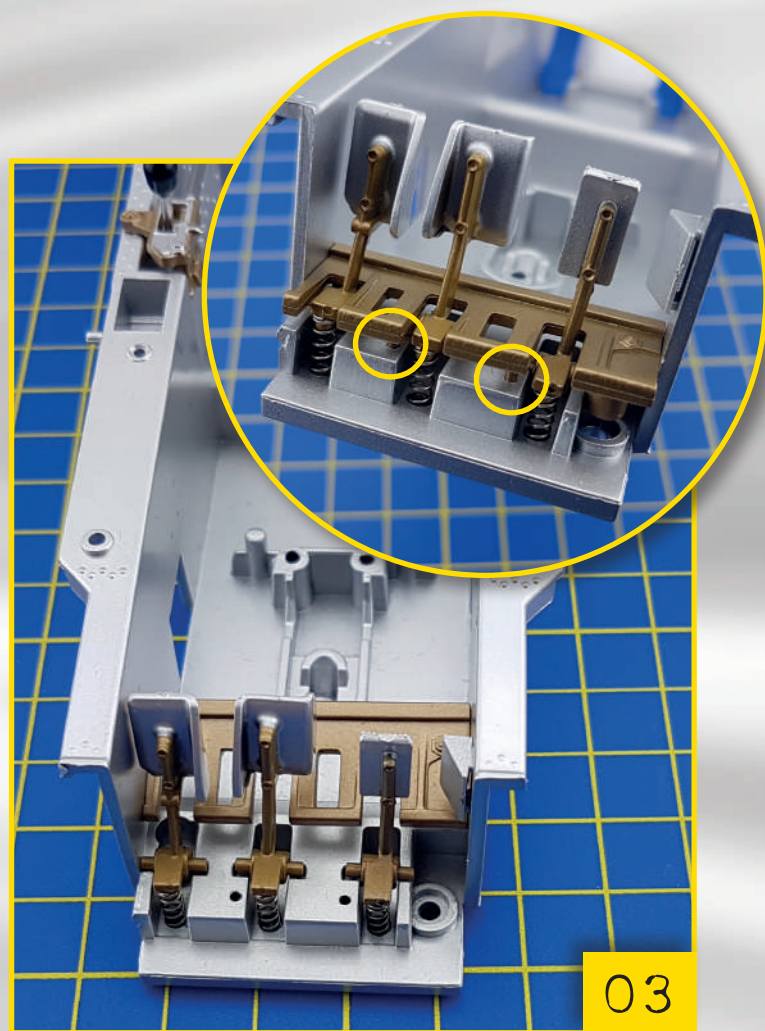




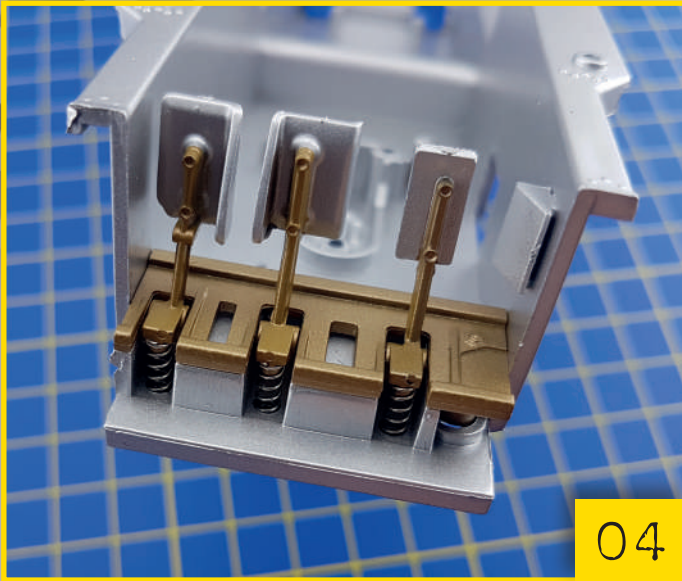
36-01 Continuing with the parts from the previous stage, fit the clutch pedal into its seating on the cockpit cradle. The spring must be fitted into the corresponding cavity (circled) and the two side pins must be positioned in the recesses either side (arrows).



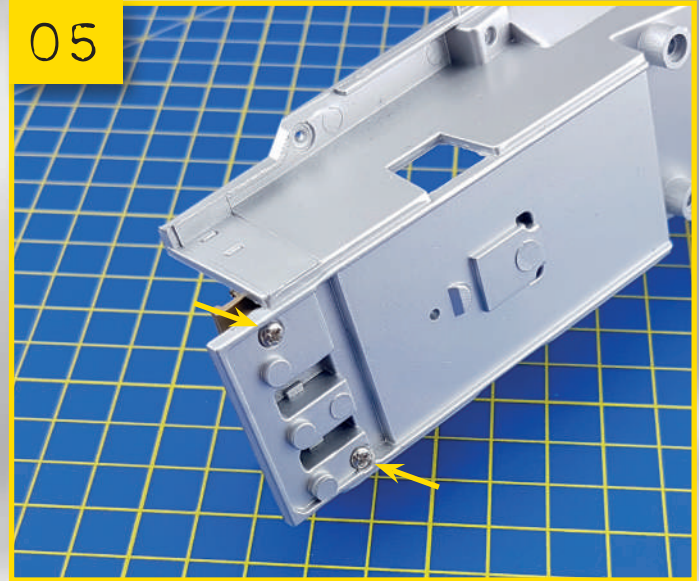
36-02 Install the two remaining pedals in the same way as shown in the photograph. Note the position of the folded sections on the pedals (arrows).



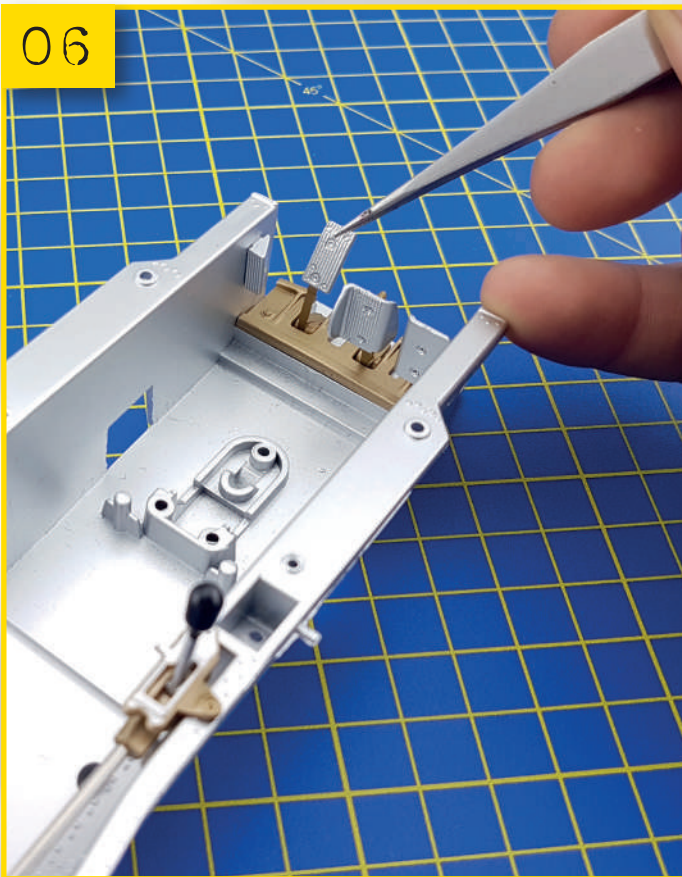
36-03 Position the pedal board plate behind the pedals and bring it forward. The two small pins on the underside fit in to the mounting holes on the cockpit cradle (inset).



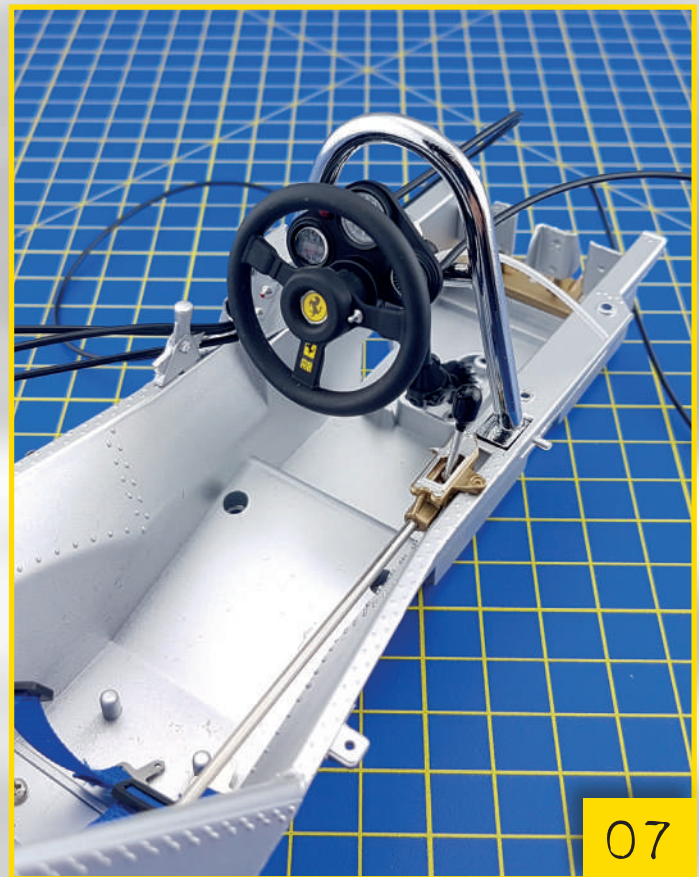
36-04 Push the pedal board plate against the cockpit cradle firmly to fit it in place.



36-05 To secure the pedal board plate, turn the cockpit upside down and drive two type J screws into the holes indicated by the arrows.



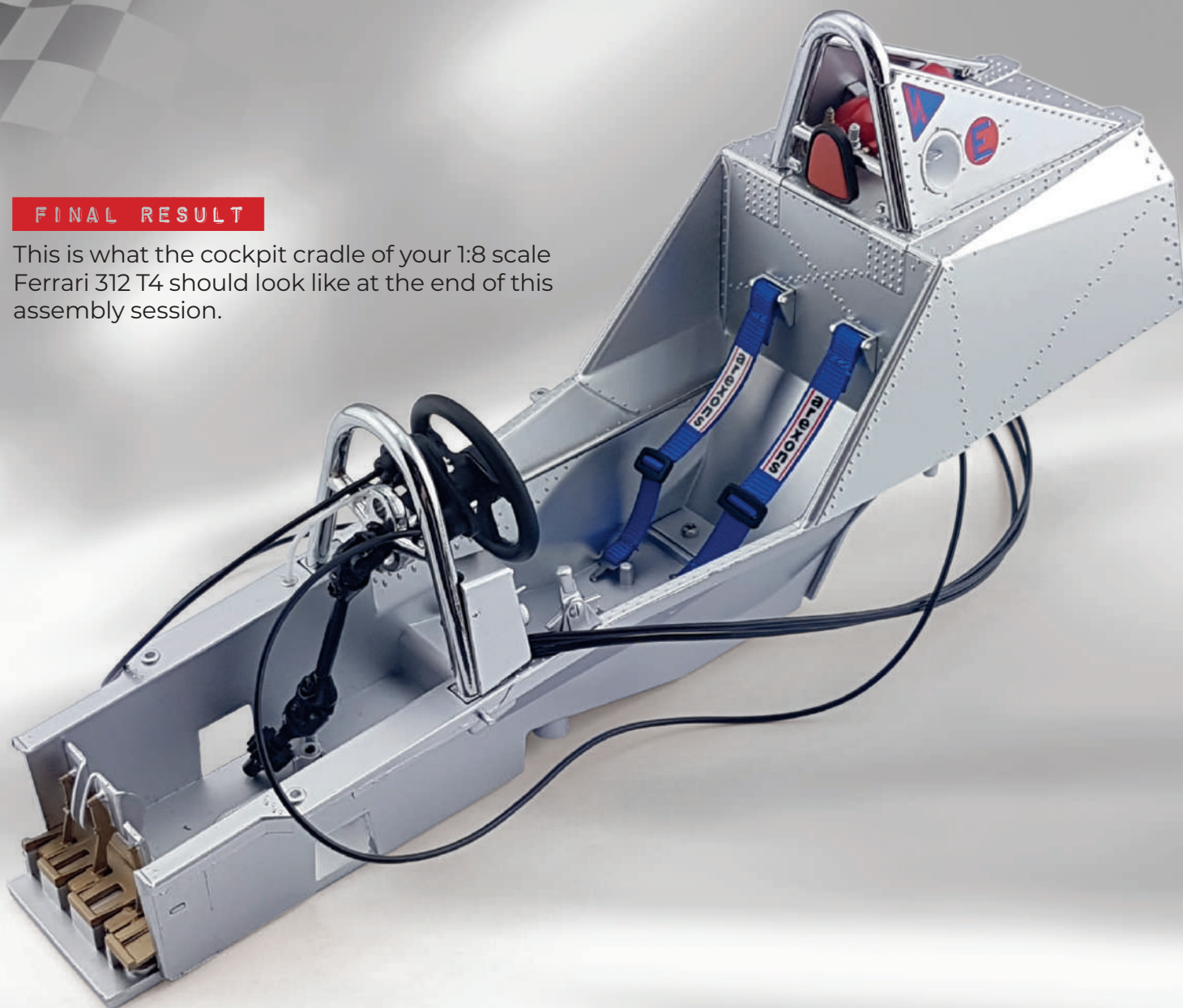
36-06 You can now test the operation of the pedals by pressing them with tweezers. The springs will return the pedal when it is released.



36-07 Temporarily install the dashboard frame in its correct position. This will give you an idea of what the completed interior of your model will look like.

FINAL RESULT

This is what the cockpit cradle of your 1:8 scale Ferrari 312 T4 should look like at the end of this assembly session.



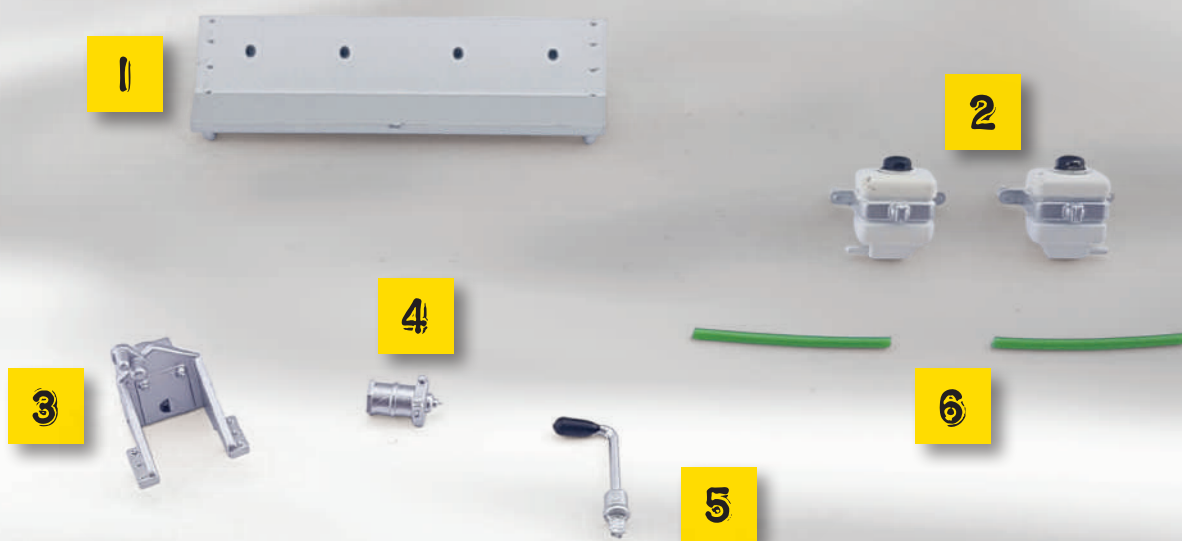
In the next stage

The tanks for the clutch and brake circuit fluids with their fixing plate and some parts of the fire-fighting system.



NEW DETAILS FOR YOUR MODEL

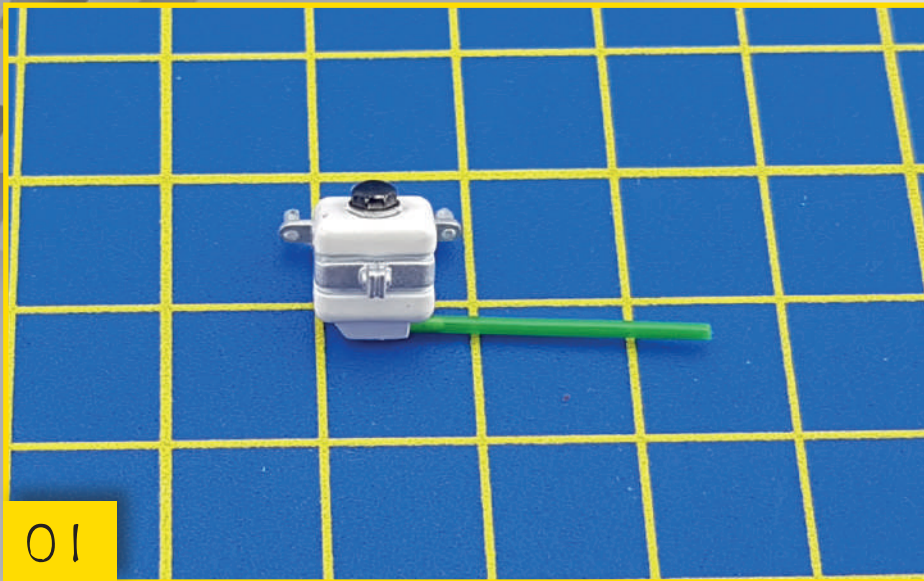
THERE ARE LOTS OF NEW DETAILS IN THIS STAGE: THE BRAKE AND CLUTCH FLUID TANKS, THEIR PIPES AND FIXING PLATE, AND THE PIPE FOR THE FIRE EXTINGUISHER SYSTEM WITH ITS VALVE AND SUPPORT PLATE.



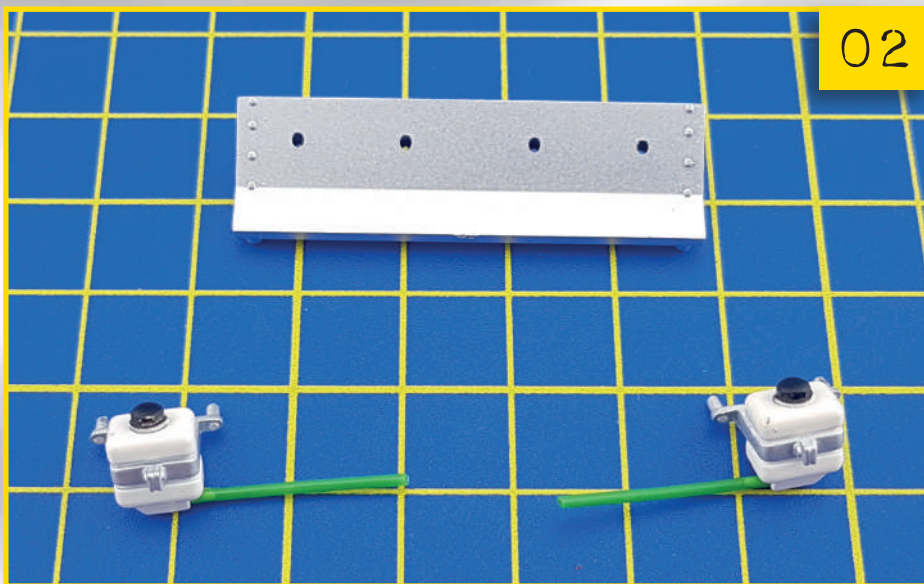
LIST OF PARTS

- 1 Tanks support plate
- 2 Two fluid tanks
- 3 Fire extinguisher valve bracket
- 4 Fire extinguisher valve
- 5 Pipe with fire extinguisher nozzle
- 6 Two pipes

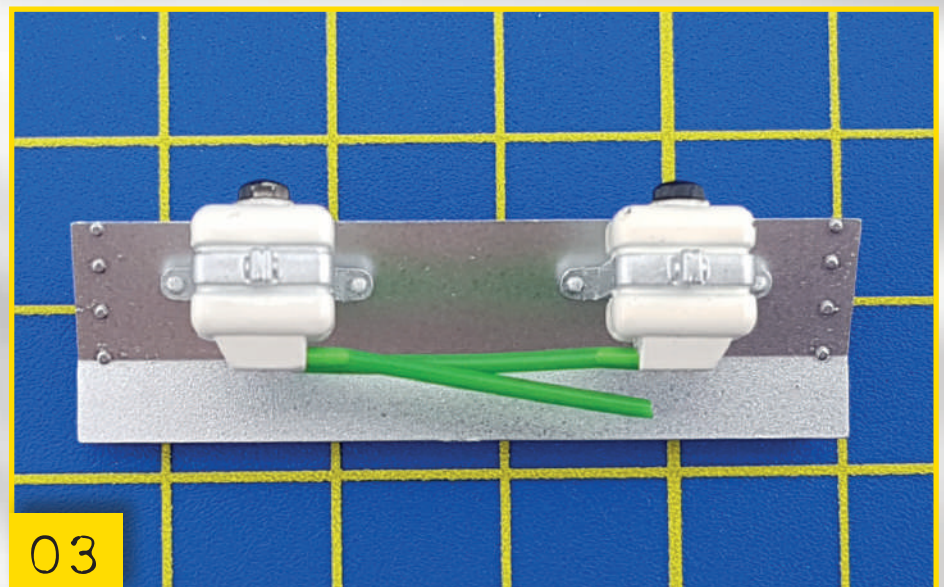




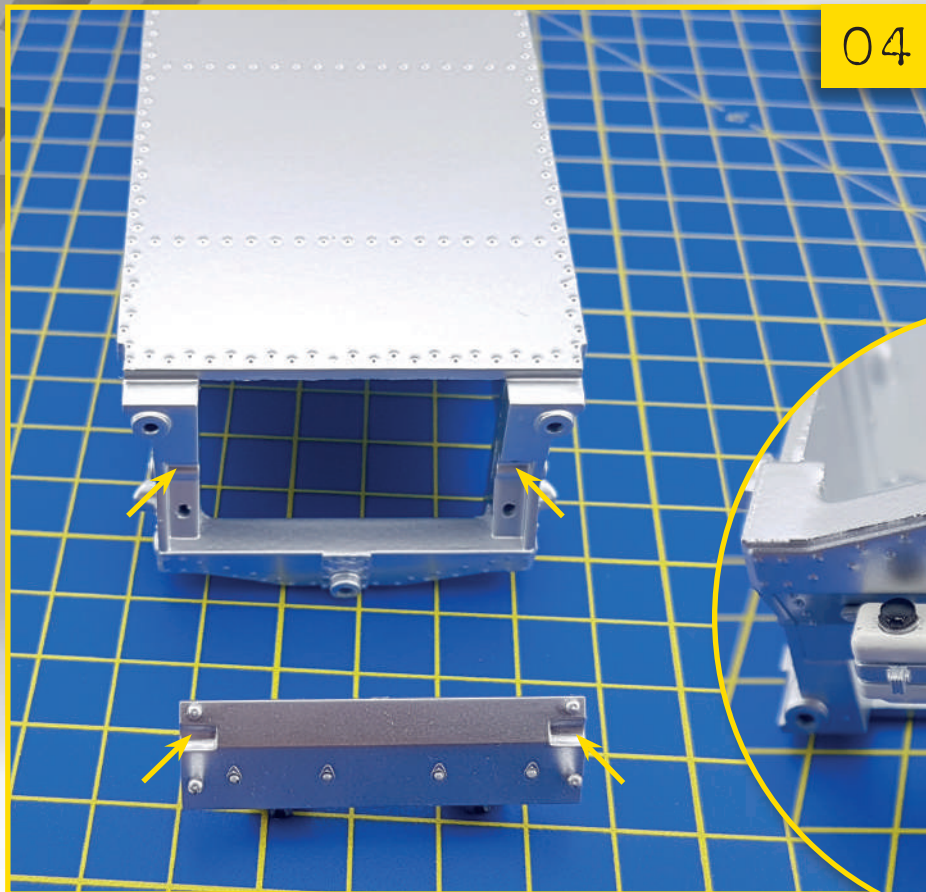
37-01 Fit one of the green pipes to the nozzle located on the base of one of the fluid tanks as shown.



37-02 Do the same with the second green tube and the other tank. Then place the tanks support plate on your work surface.

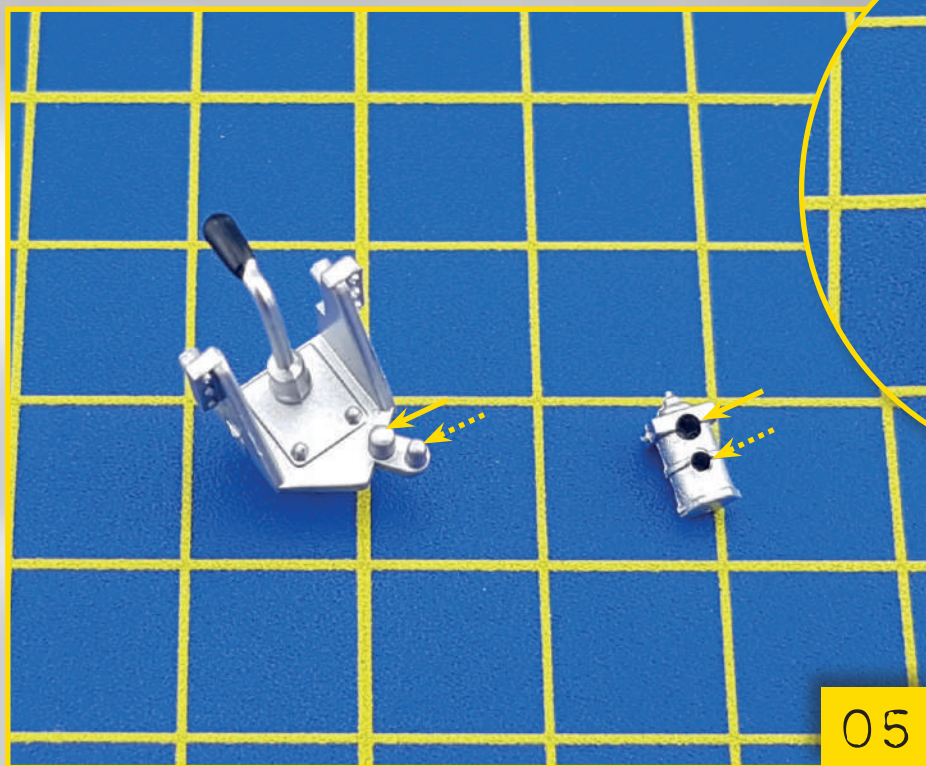
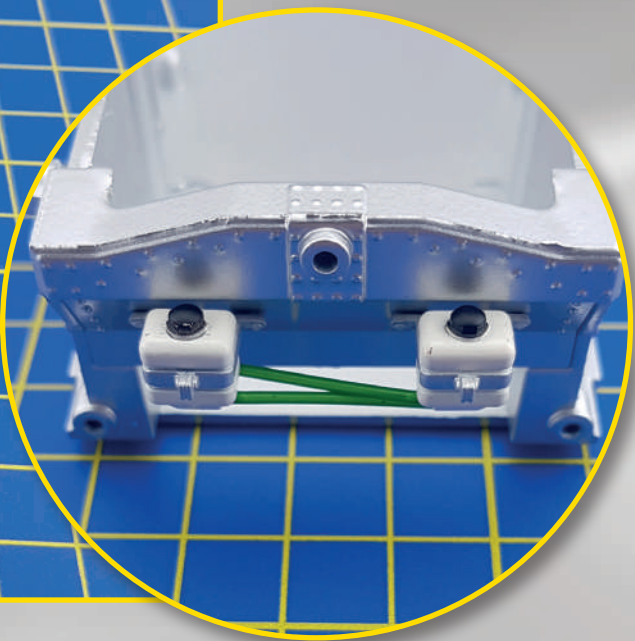


37-03 Push the pins of both tanks in to the plate, orientating them as shown in the image.



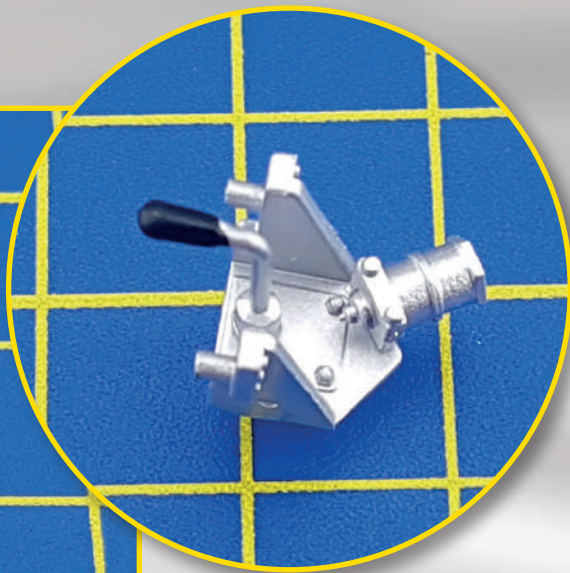
04

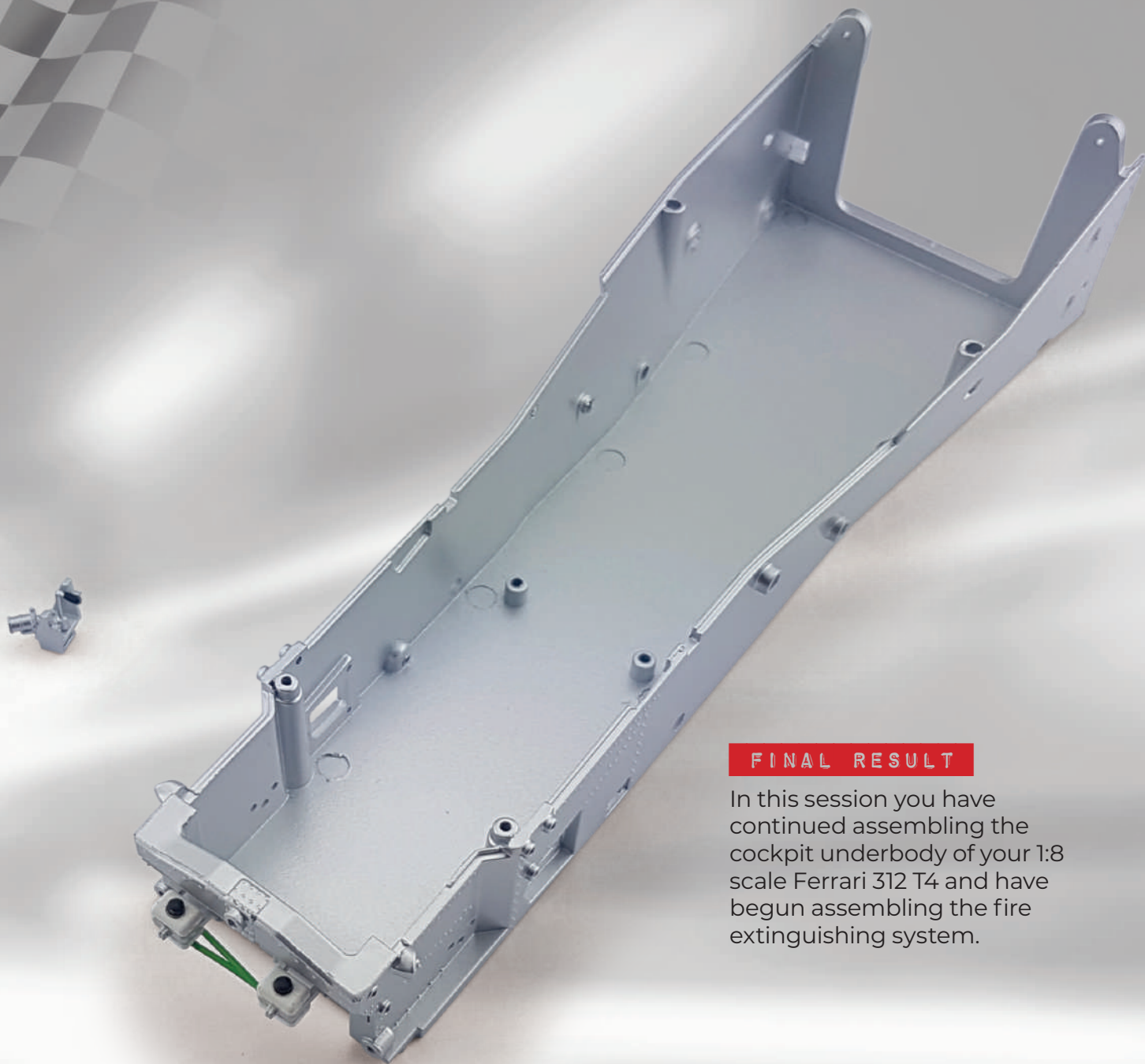
37-04 Retrieve the cockpit underbody that you received with stage 36, and press the tanks support plate and the brake and clutch fluid tanks in place. Note the fitting points shown in the image.



05

37-05 Press-fit the fire extinguisher pipe to the bracket, using the semicircular connector. Then mount the extinguisher valve using the interlocking elements to ensure they are correctly orientated.





FINAL RESULT

In this session you have continued assembling the cockpit underbody of your 1:8 scale Ferrari 312 T4 and have begun assembling the fire extinguishing system.

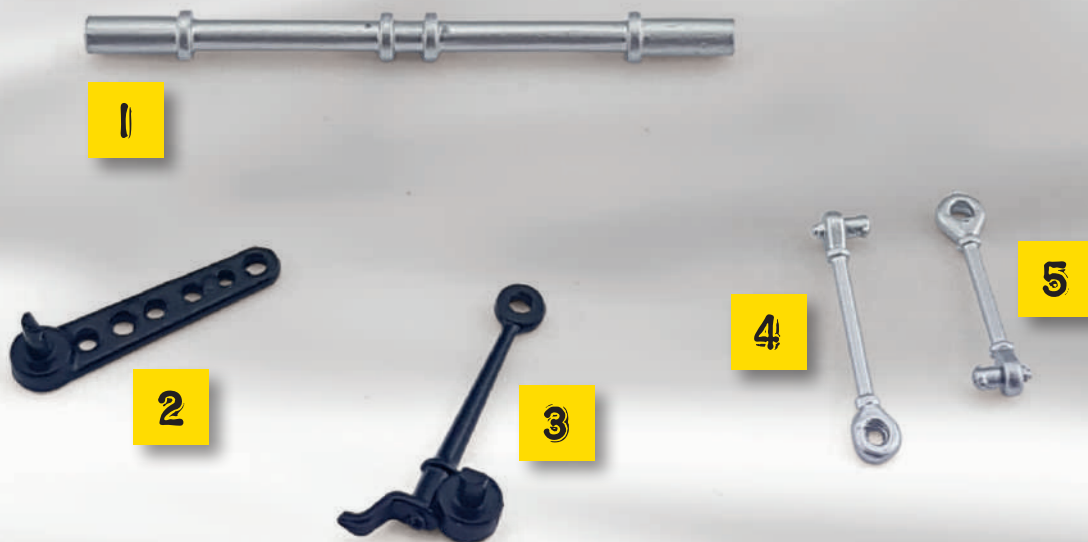
In the next stage

The front anti-roll bar components.



FRONT ANTI-ROLL BAR

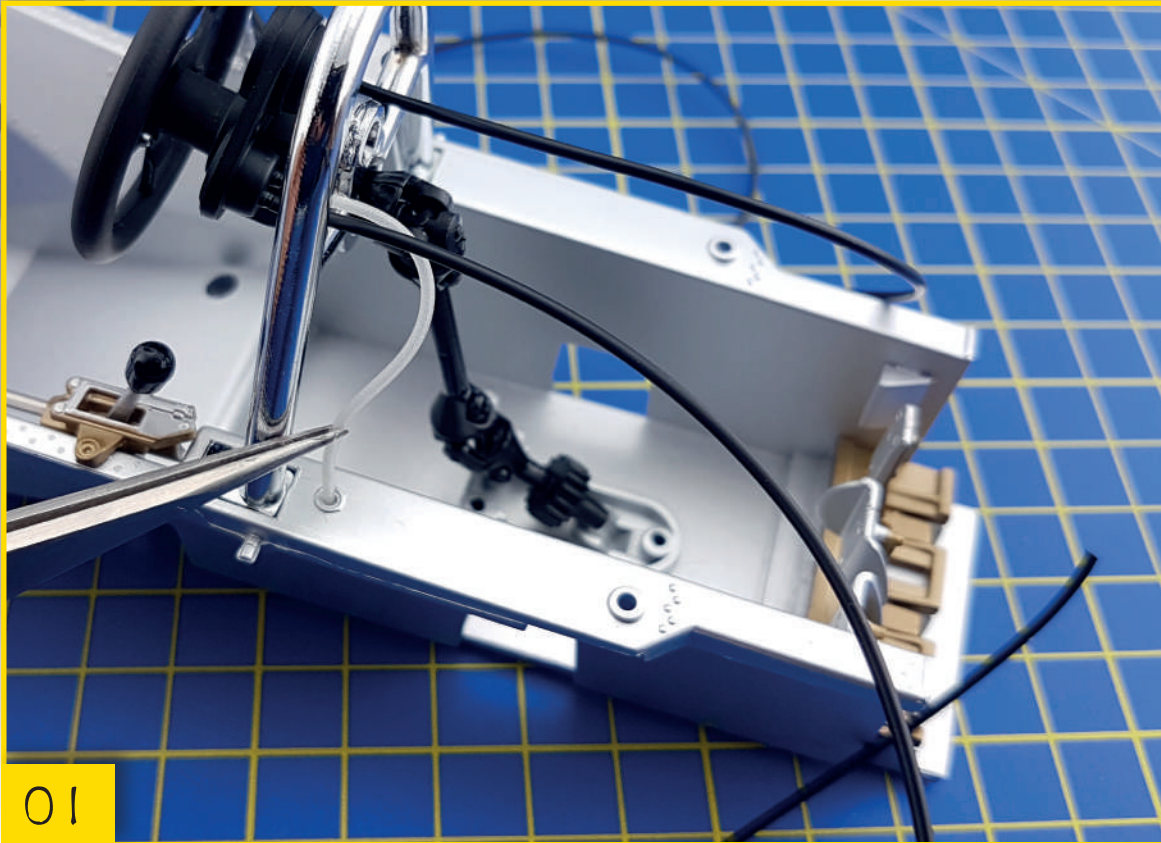
IN THIS STAGE YOU WILL ASSEMBLE AN IMPORTANT FEATURE FOR THE FERRARI 312 T4: THE FRONT ANTI-ROLL BAR.



LIST OF PARTS

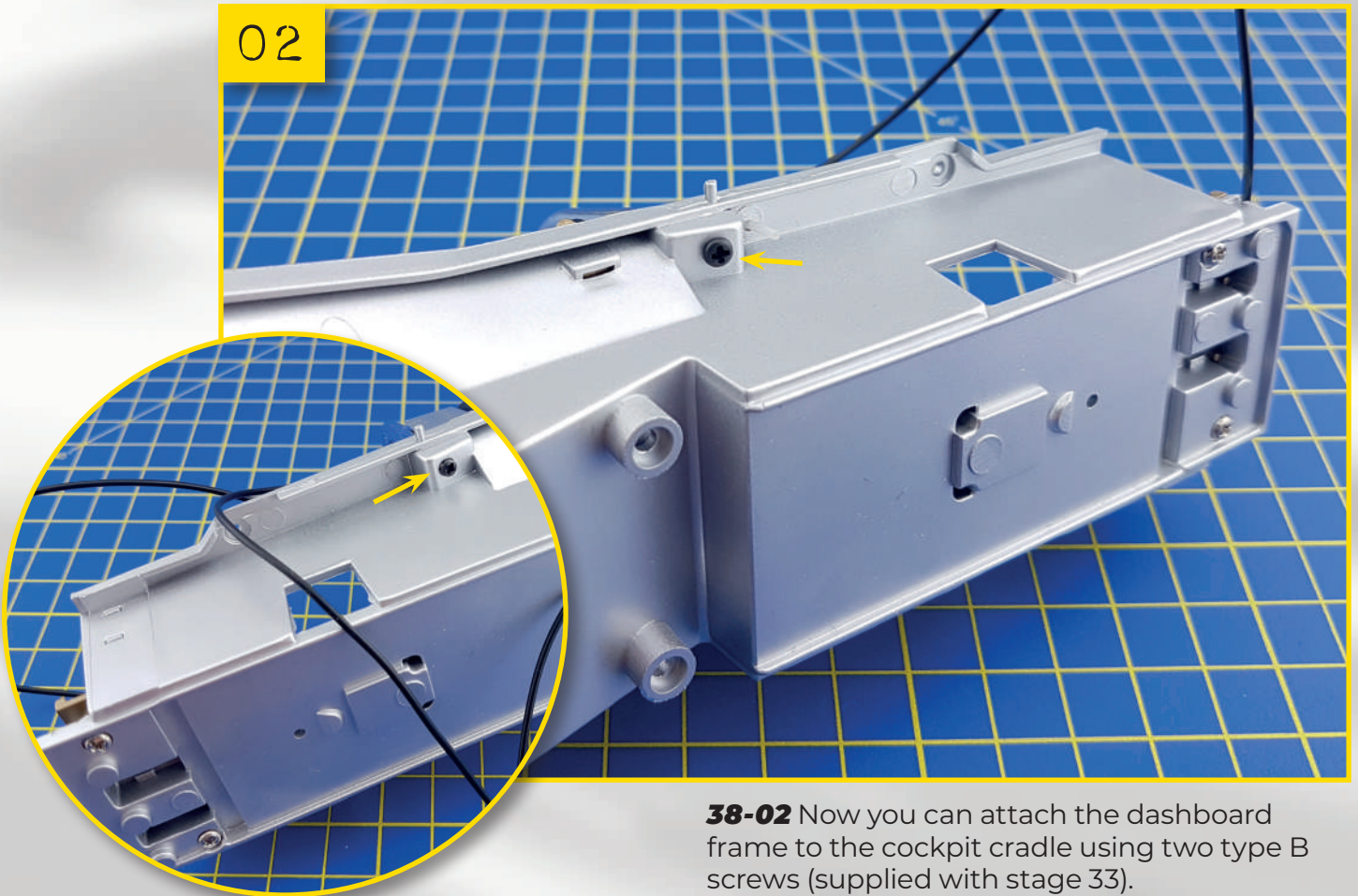
- 1 Anti-roll bar
- 2 Perforated plate
- 3 Lateral tie rod
- 4 Long silvered tie rod
- 5 Short silvered tie rod





38-01 Set down the cockpit assembly on your work surface. Using fine-nosed tweezers, carefully insert the free end of the pipe into the hole on the left next to the dashboard frame, as shown in the image.

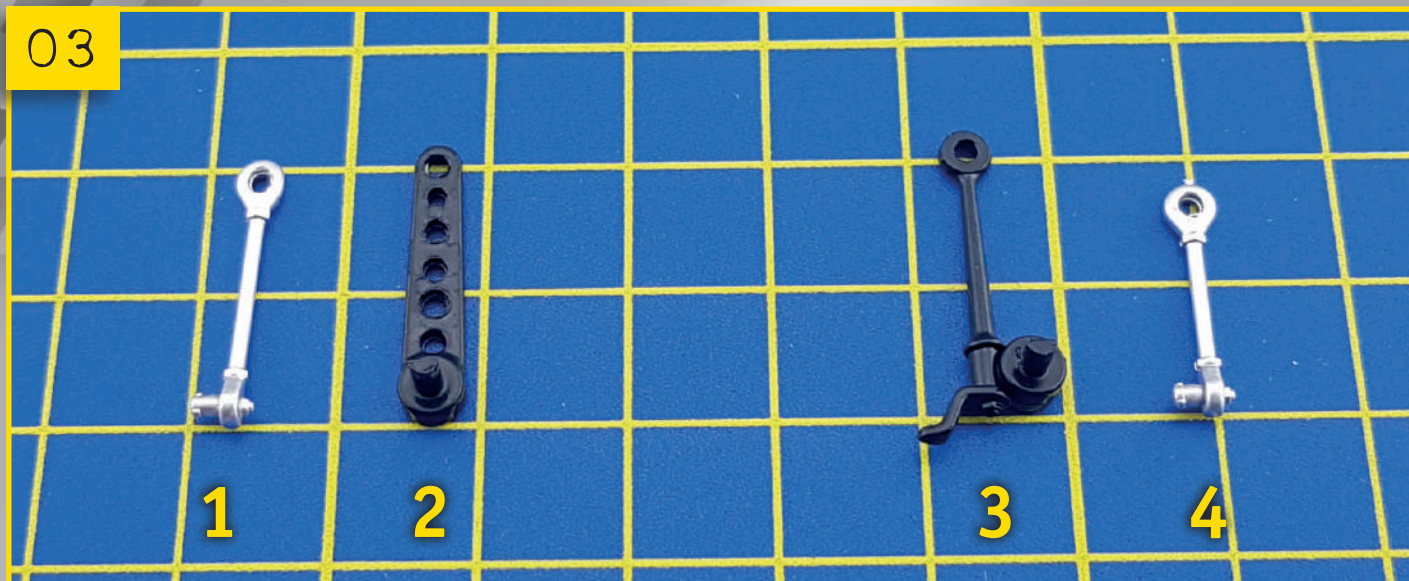
01



38-02 Now you can attach the dashboard frame to the cockpit cradle using two type B screws (supplied with stage 33).

02

03

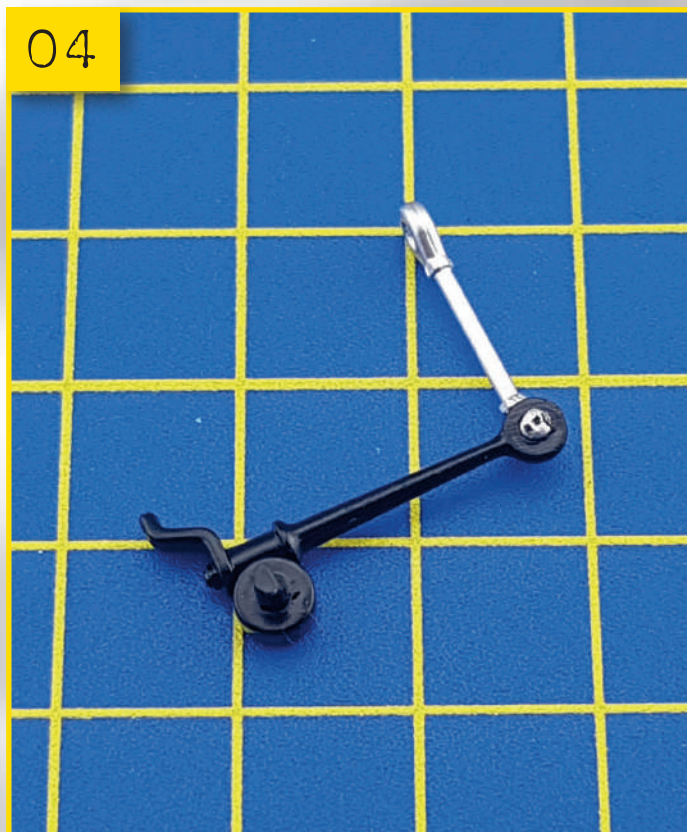


38-03

To familiarise yourself with the smaller components they are identified as follows:

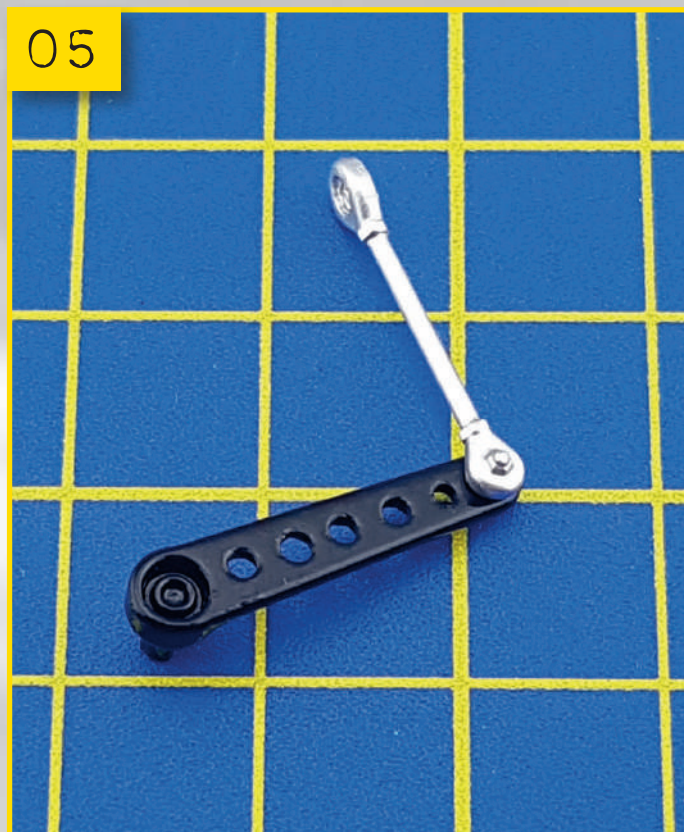
- 1) long silvered tie rod;
- 2) perforated plate;
- 3) lateral tie rod;
- 4) short silvered tie rod.

04

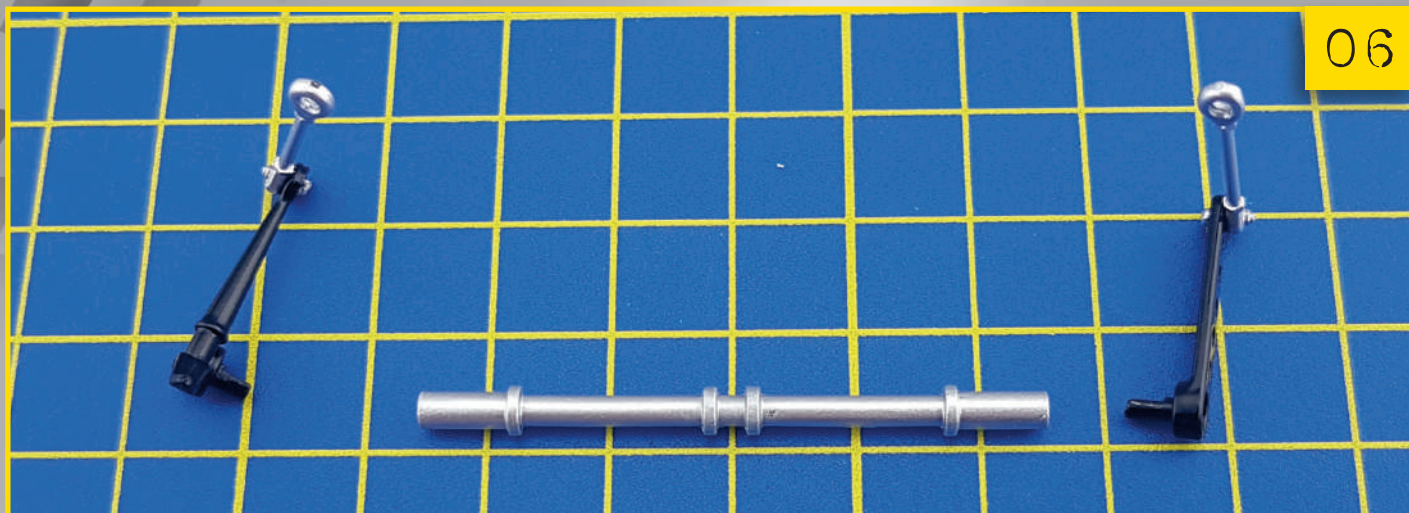


38-04 In the orientation shown in the image above, join the short silvered tie rod to the lateral tie rod.

05



38-05 In the same way, assemble the long silvered tie rod and the perforated plate as shown above.



38-06 On your work surface, arrange the anti-roll bar and the two assemblies you have just made. We recommend that you orientate these components as shown. Now you can join them all together using the designated interlocks. Check that the two silvered tie rods can move freely.



FINAL RESULT

You have now assembled the front anti-roll bar, a key component of the suspension system. Carefully put it to one side.

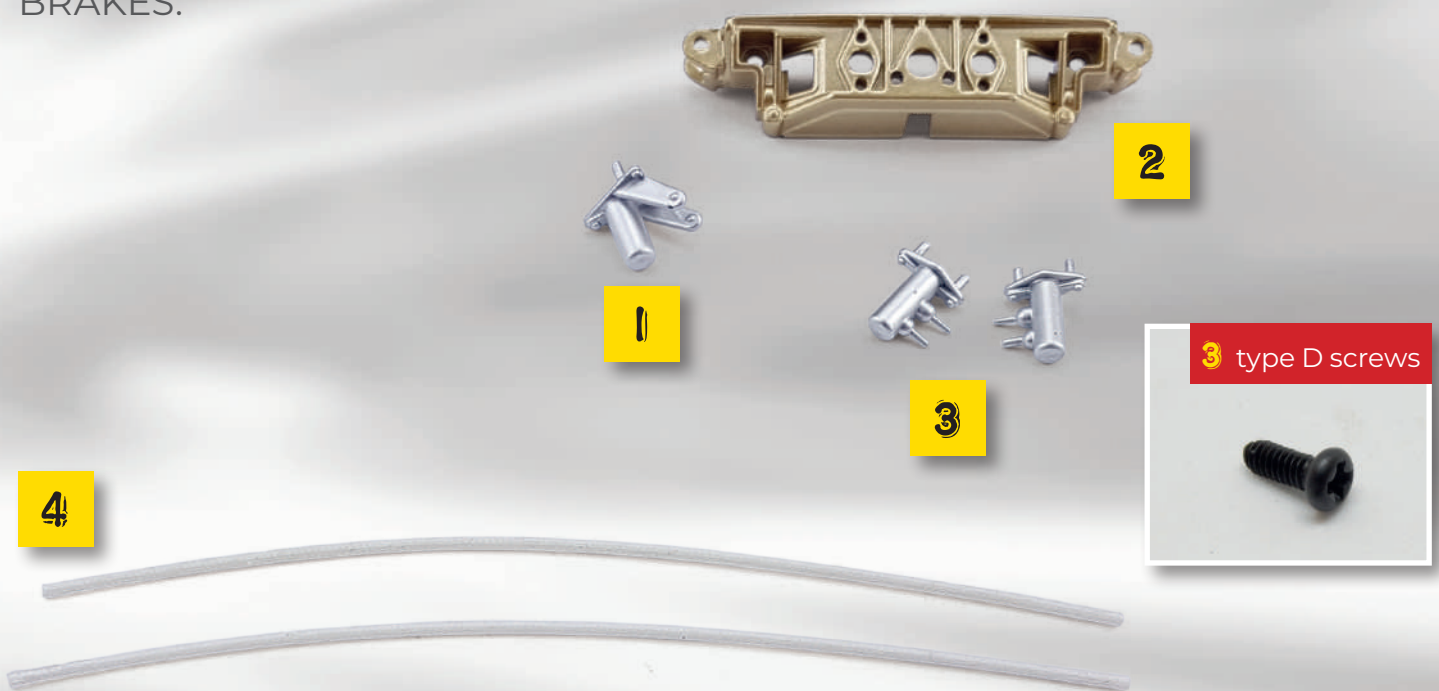
In the next stage

The master cylinders support plate and new components for the braking circuit.



MASTER CYLINDERS, SUPPORT PLATE, AND BRAKE LINES

USING THE PARTS FOR STAGE 39
YOU CAN NOW BEGIN ASSEMBLING
THE HYDRAULIC CIRCUIT FOR THE
BRAKES.



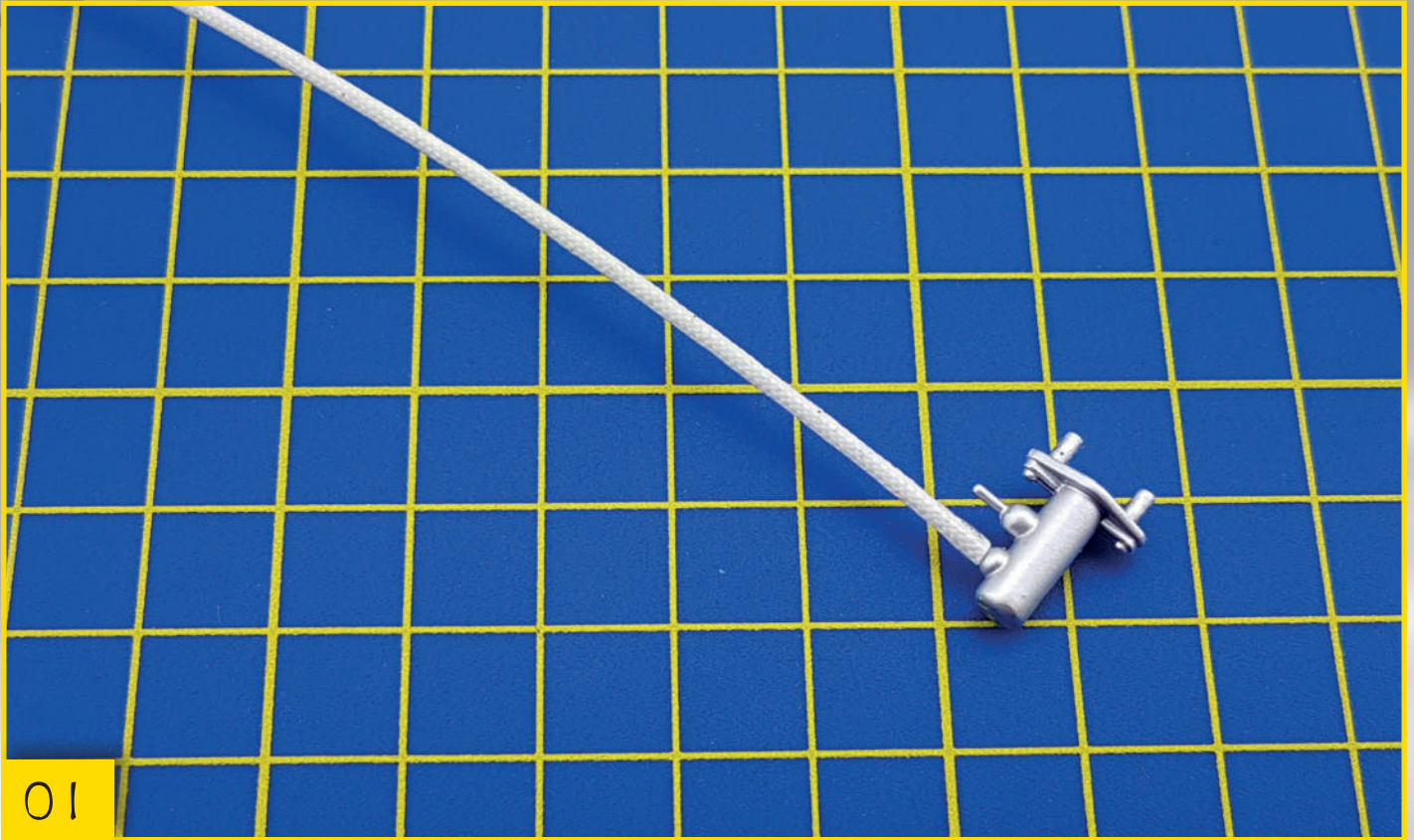
LIST OF PARTS

- 1 Central master cylinder
- 2 Master cylinders support plate
- 3 Two lateral master cylinders
- 4 Two brake circuit lines

SCREWS

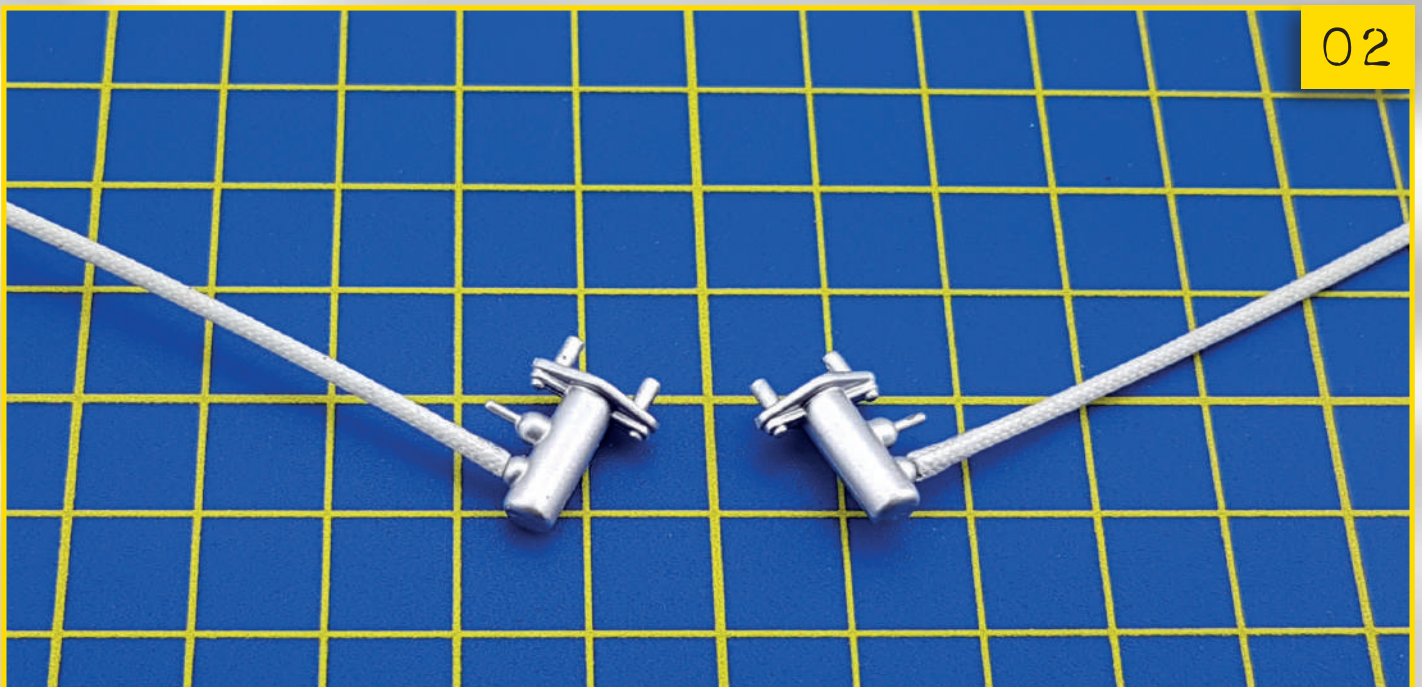
Three type D screws



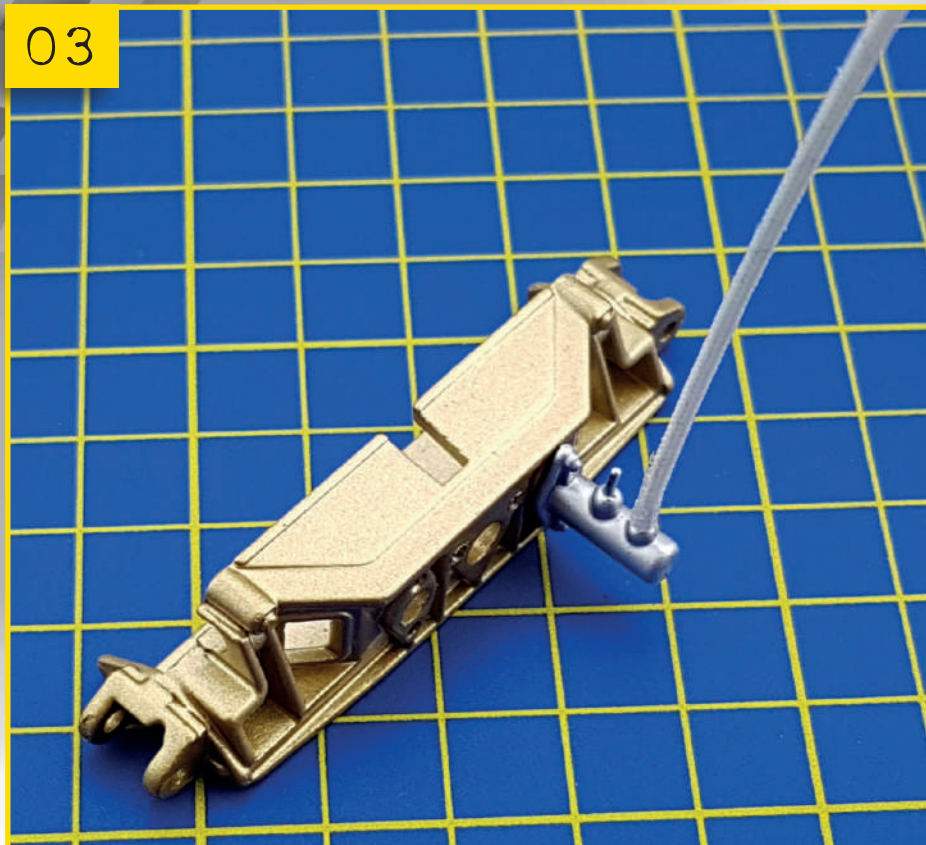


39-01 Fit the end of one of the two brake lines on to the upper pin on one of the lateral master cylinders as shown.

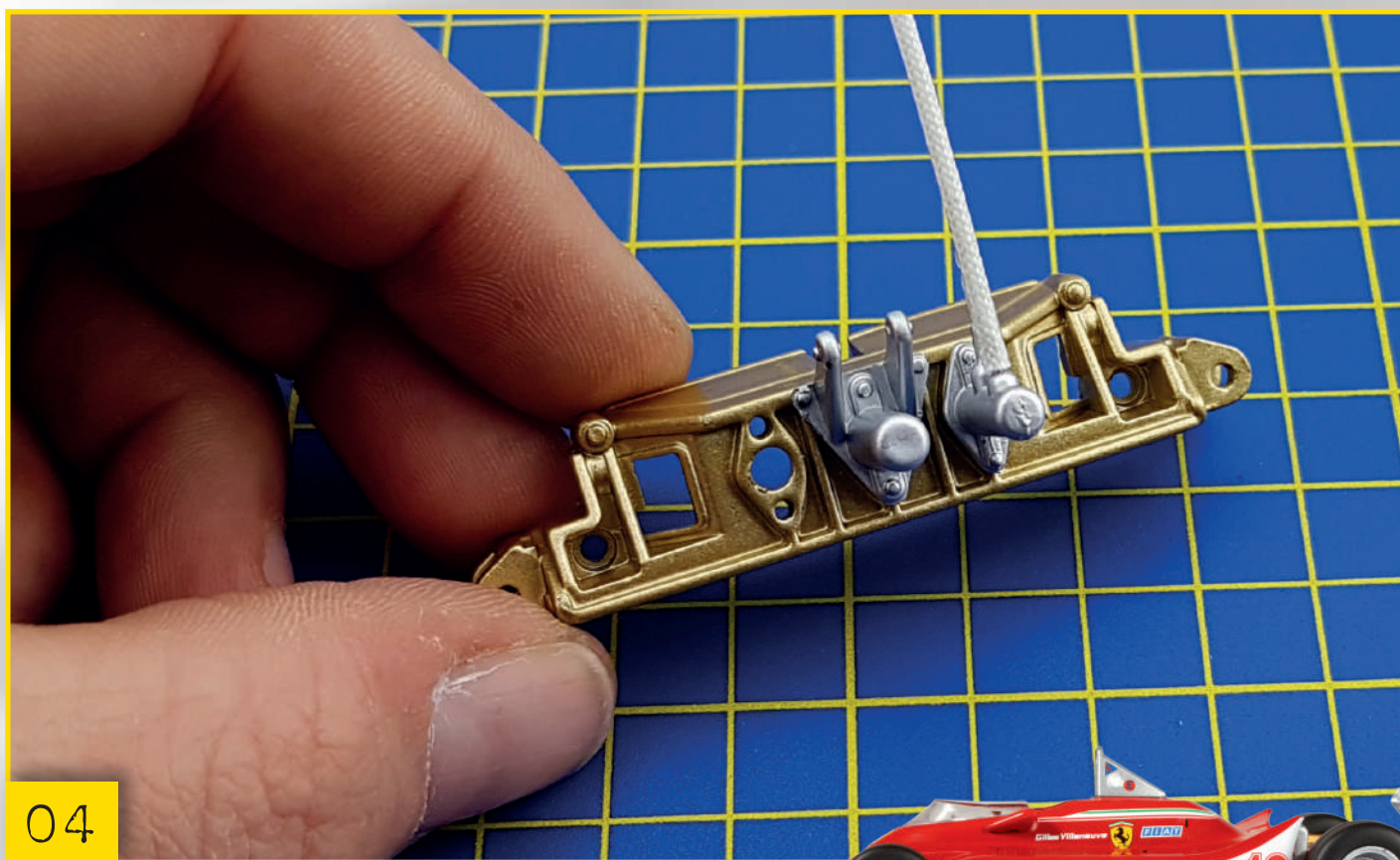
39-02 Fit the second brake line to the other lateral master cylinder.



03



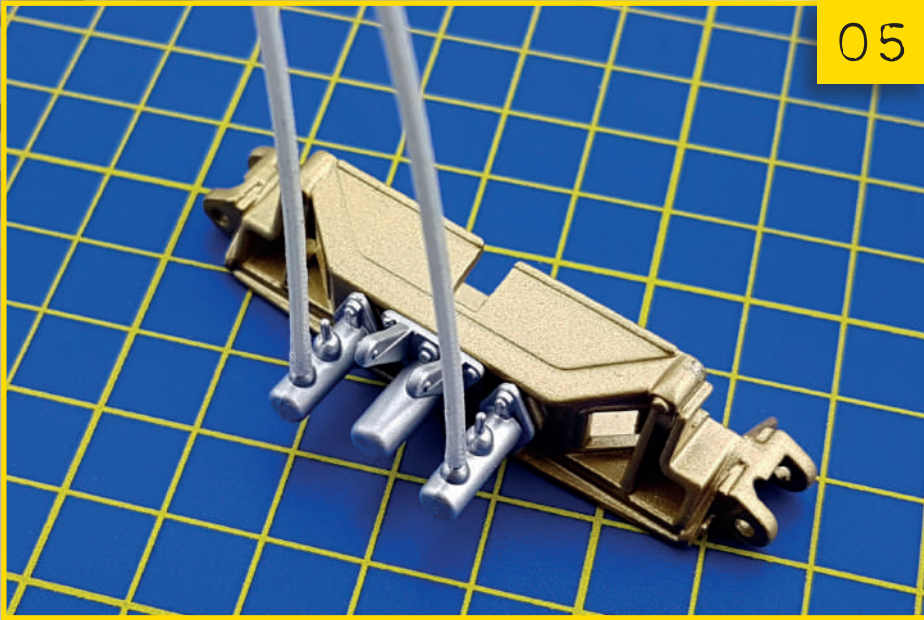
39-03 Place the master cylinders support plate on your work surface as shown, then press the pins of the first lateral master cylinder in to the support plate.



04

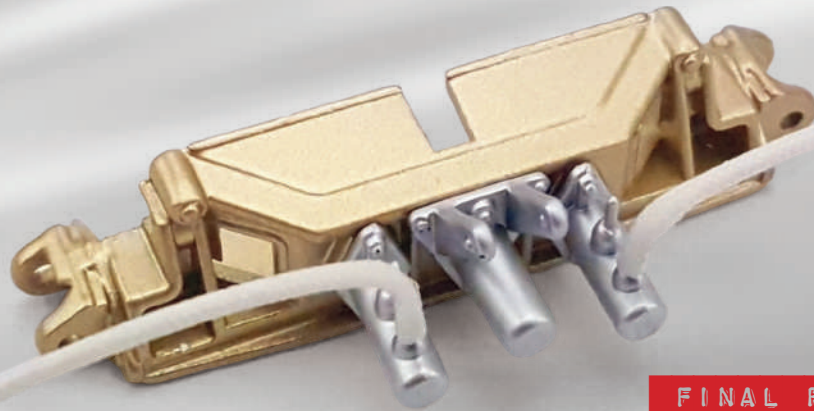
39-04 Attach the central master cylinder to the plate.





05

39-05 Then mount the second lateral master cylinder in the correct position.



FINAL RESULT

You have begun assembling the hydraulic brake circuit.

In the next stage

All the components for assembling the second front wheel rim.



SECOND FRONT WHEEL RIM

YOU'LL NOW ASSEMBLE THE SECOND FRONT WHEEL RIM OF YOUR 1:8 SCALE FERRARI 312 T4.



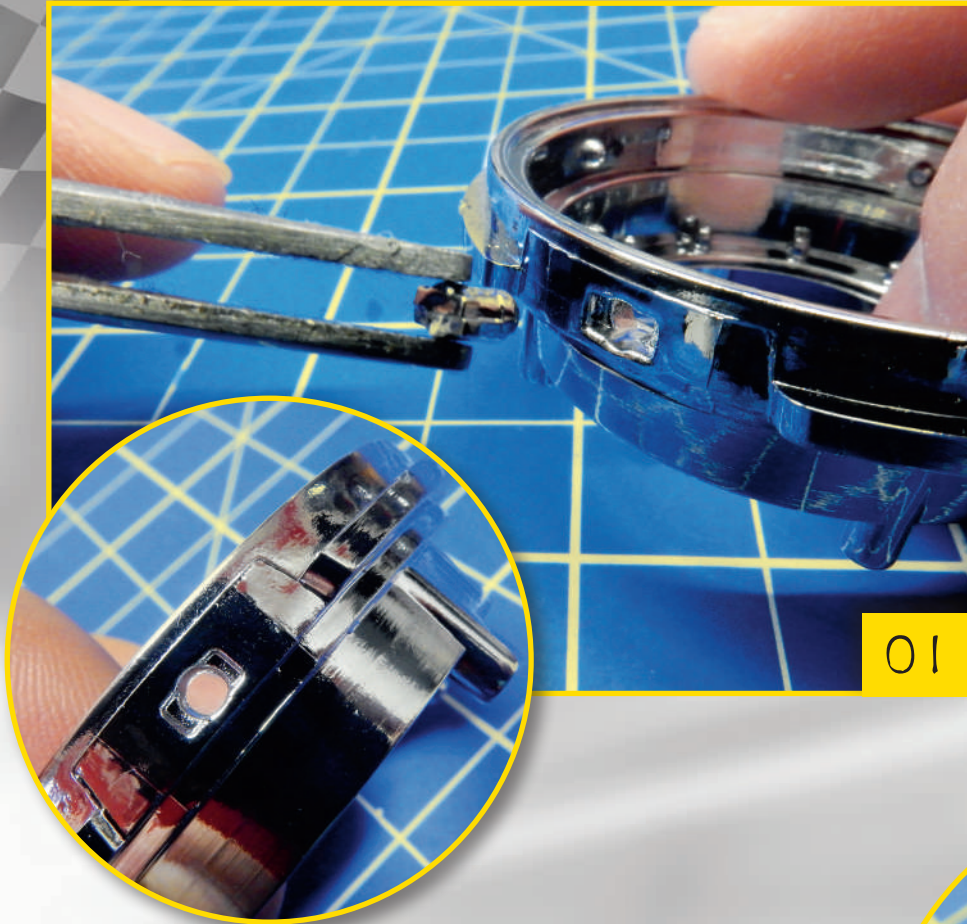
LIST OF PARTS

- 1 Wheel rim
- 2 Beadlock
- 3 Five beadlock bolts

SCREWS

Three type A screws

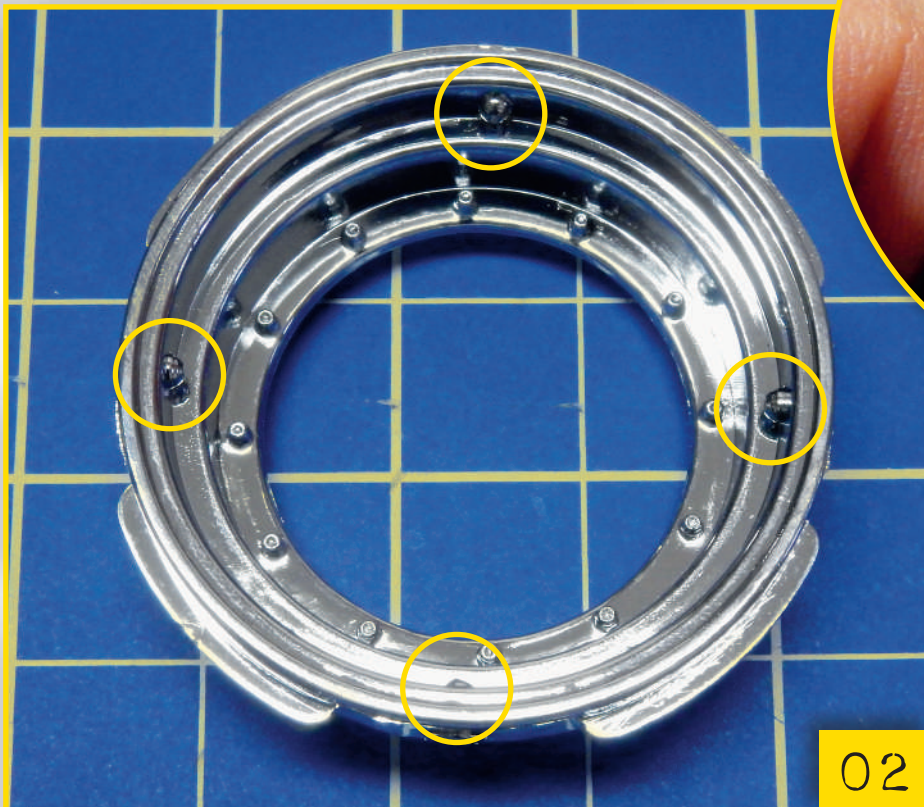
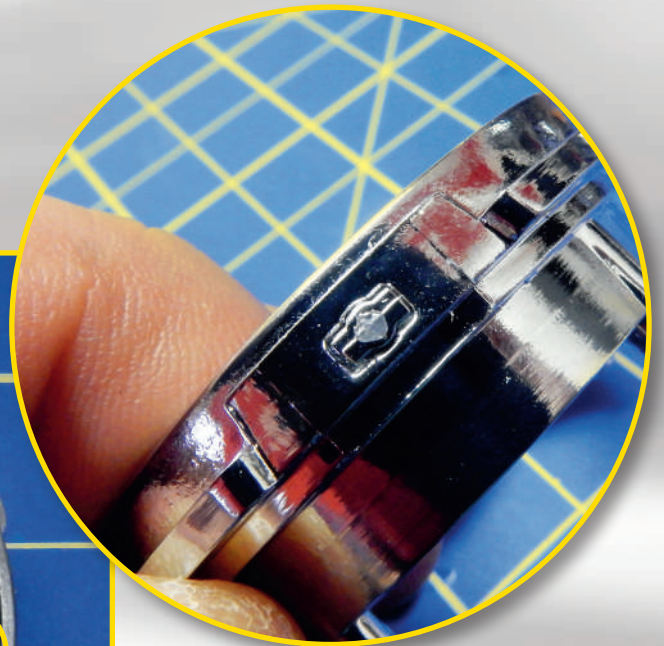




40-01

Insert the bolts from the outside of the beadlock, orientating them as shown in the photograph. You have been given five bolts, even though you only need four. The fifth is provided as a spare.

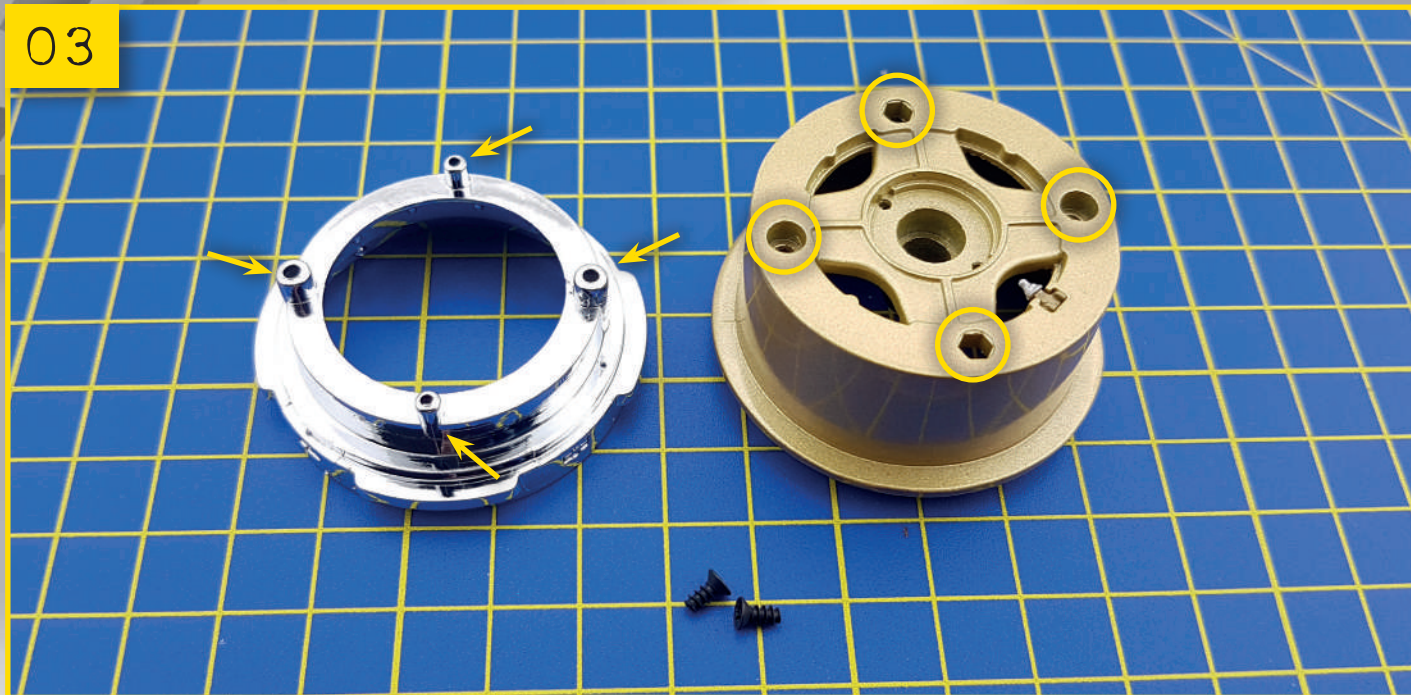
01



40-02 The rear part of each bolt, which is almost rectangular, should fit into a seating in the beadlock (inset). The "bolt heads" (circled) will then appear on the inner side of the beadlock.

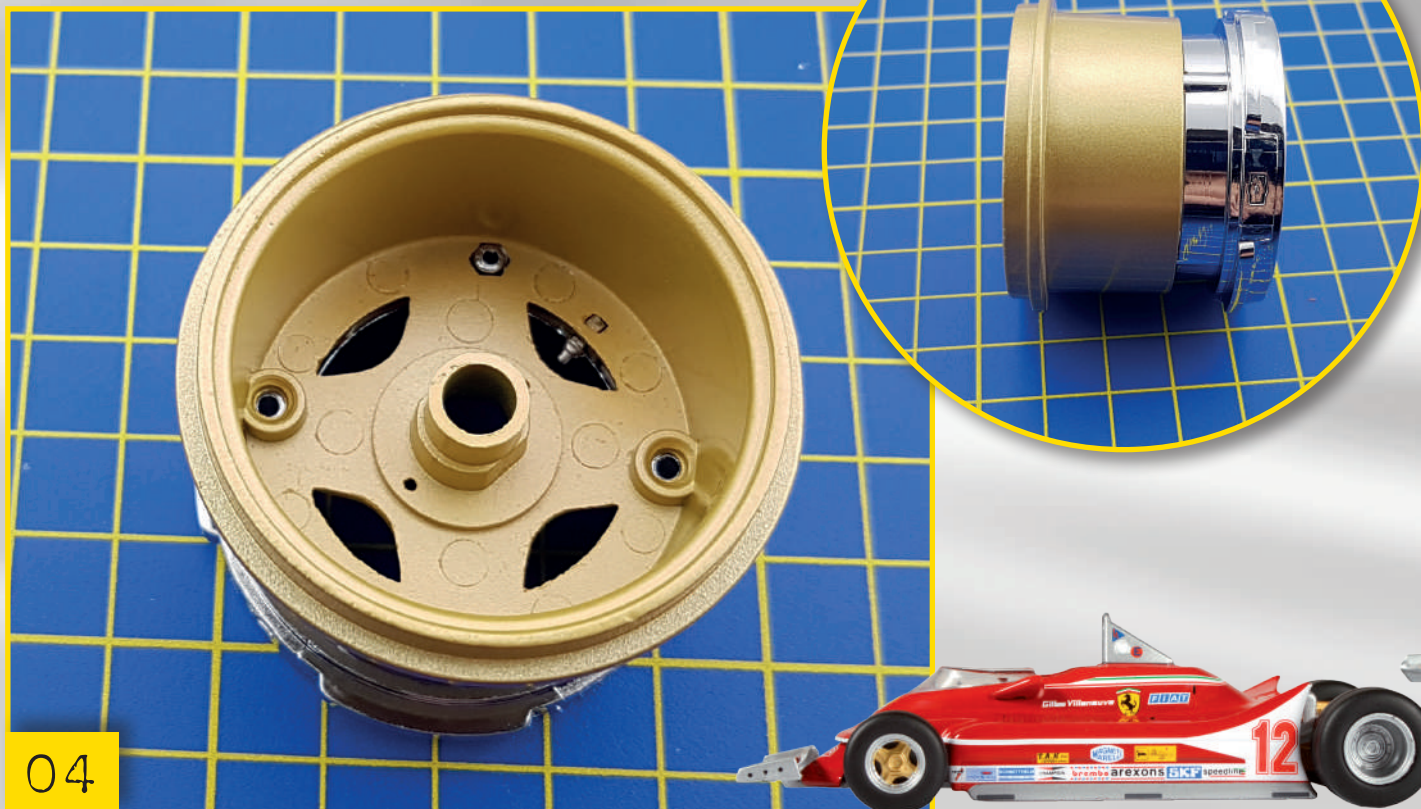
02

03



40-03 Arrange the beadlock, the rim, and two type A screws on your work surface. The circles and arrows in the image show you the connecting points between the rim and the beadlock.

40-04 Join the rim and the beadlock together, using the points highlighted in the previous step.

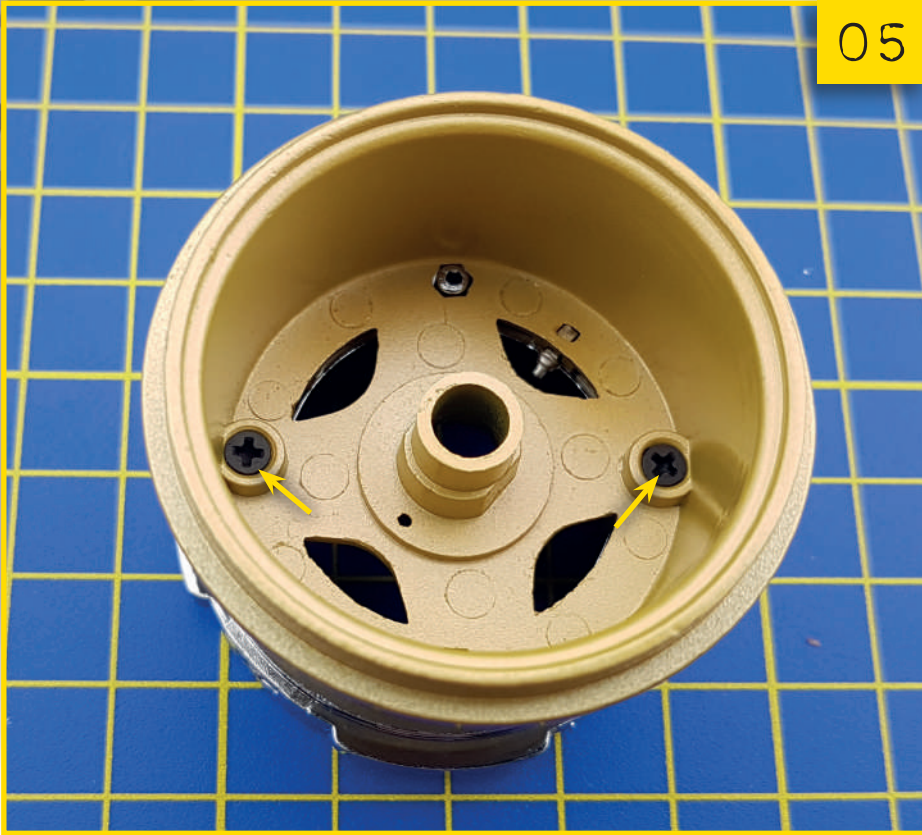


04

05

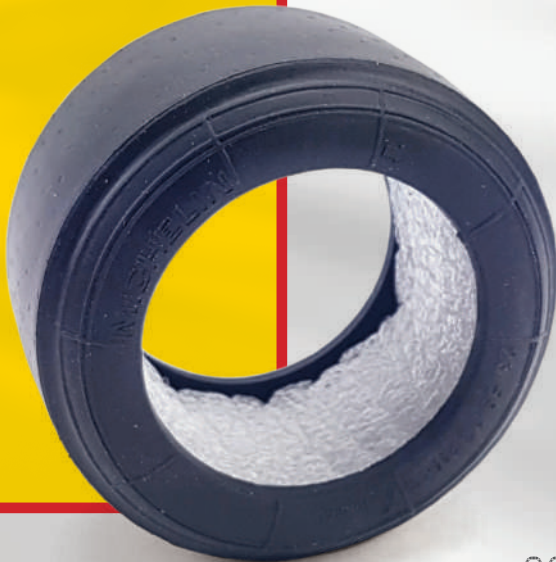
40-05

Insert a type A screw into each of the two holes of the rim (arrows), and tighten them with a Phillips screwdriver of suitable size.



In the next stage

The second front tyre of your 1:8 scale Ferrari 312 T4.

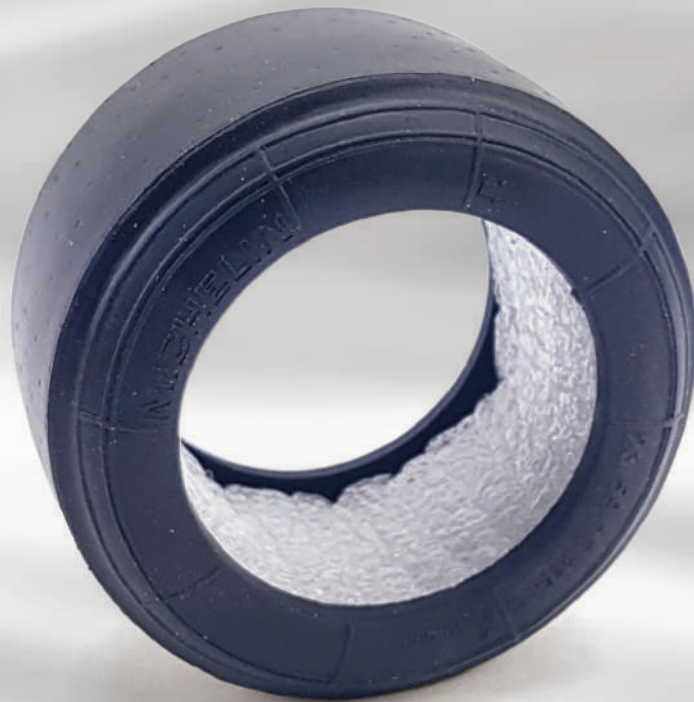


FINAL RESULT

You have now assembled the second front wheel rim. Put it to one side, ready for the tyre to be fitted.

SECOND FRONT TYRE

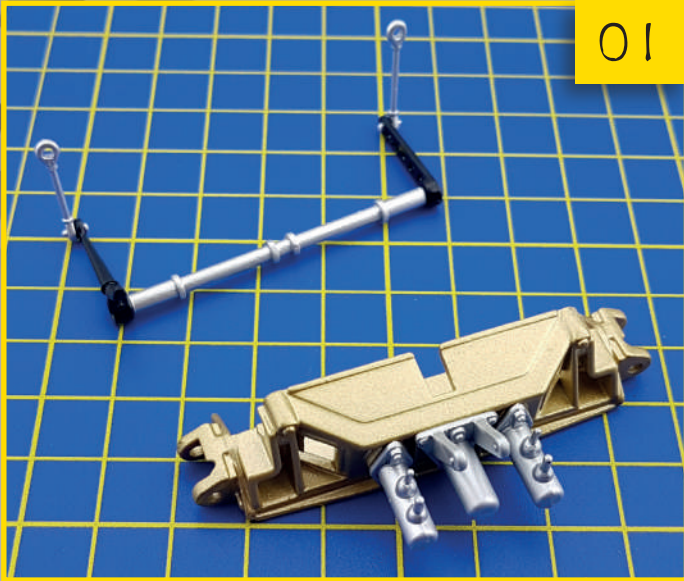
YOU WILL BE USING THE TYRE SUPPLIED IN THE NEXT STAGE, SO IT CAN BE SET ASIDE FOR NOW. FOR THIS STAGE YOU'LL CONTINUE ASSEMBLY OF THE BRAKE CIRCUIT MASTER CYLINDERS SUPPORT PLATE AND THE FRONT ANTI-ROLL BAR.



LIST OF PARTS

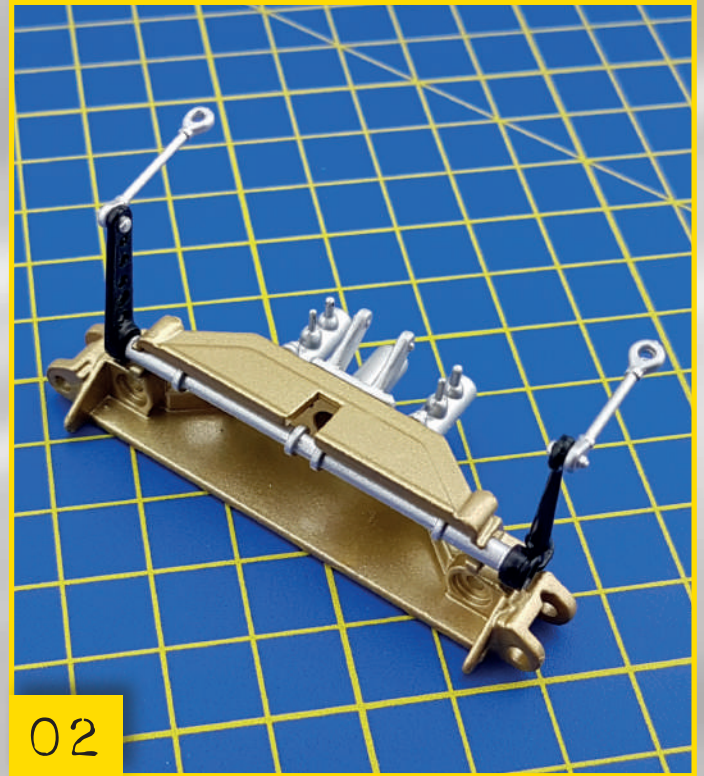
- 1 Front tyre with filling





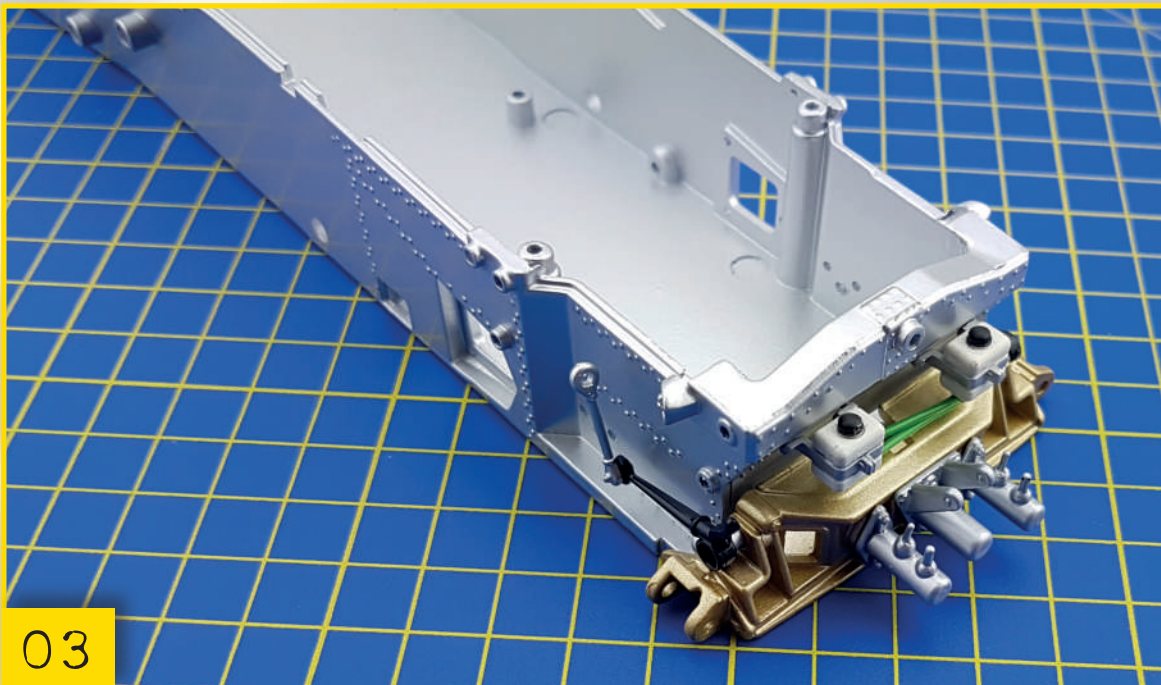
01

41-01 Retrieve the front anti-roll bar (stage 38) and the master cylinders support plate for the brake circuit (stage 39). To make assembly easier, you can remove the two white brake lines fitted on to the two lateral cylinders. The following images show the brake lines removed.



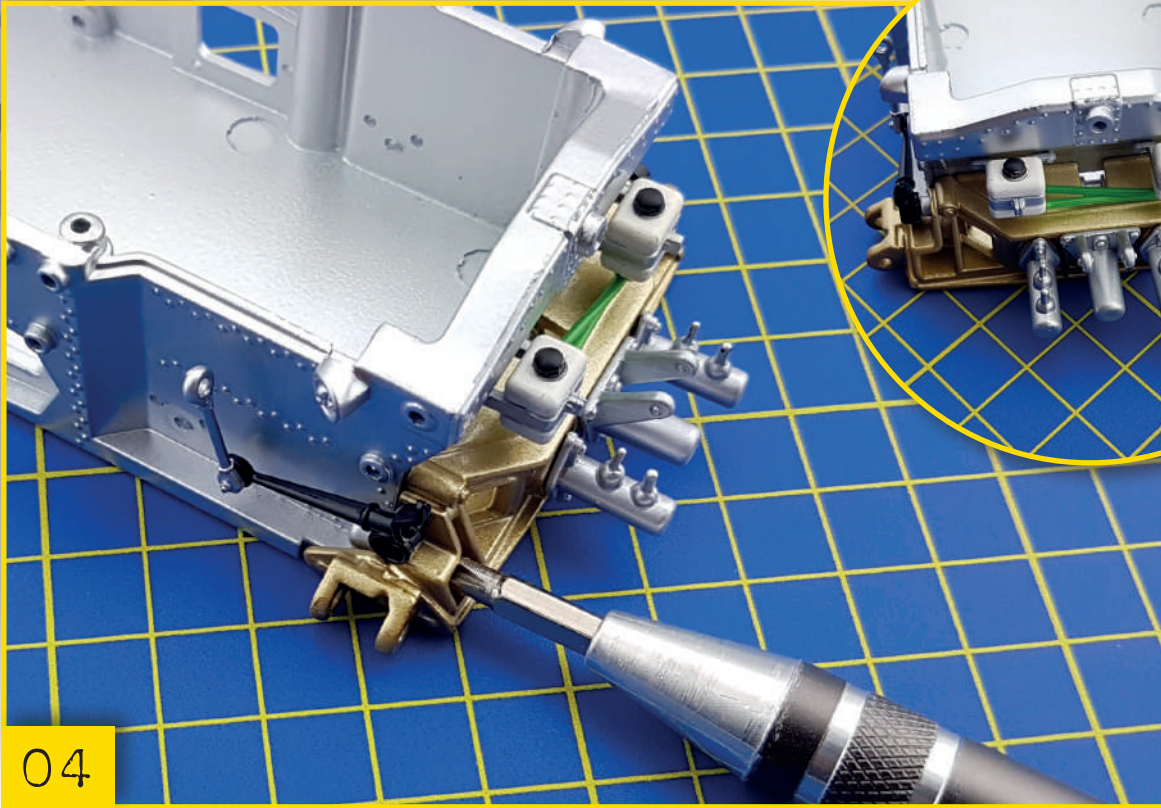
02

41-02 Mount the anti-roll bar on the support plate, taking care to orient the components as shown in the image.



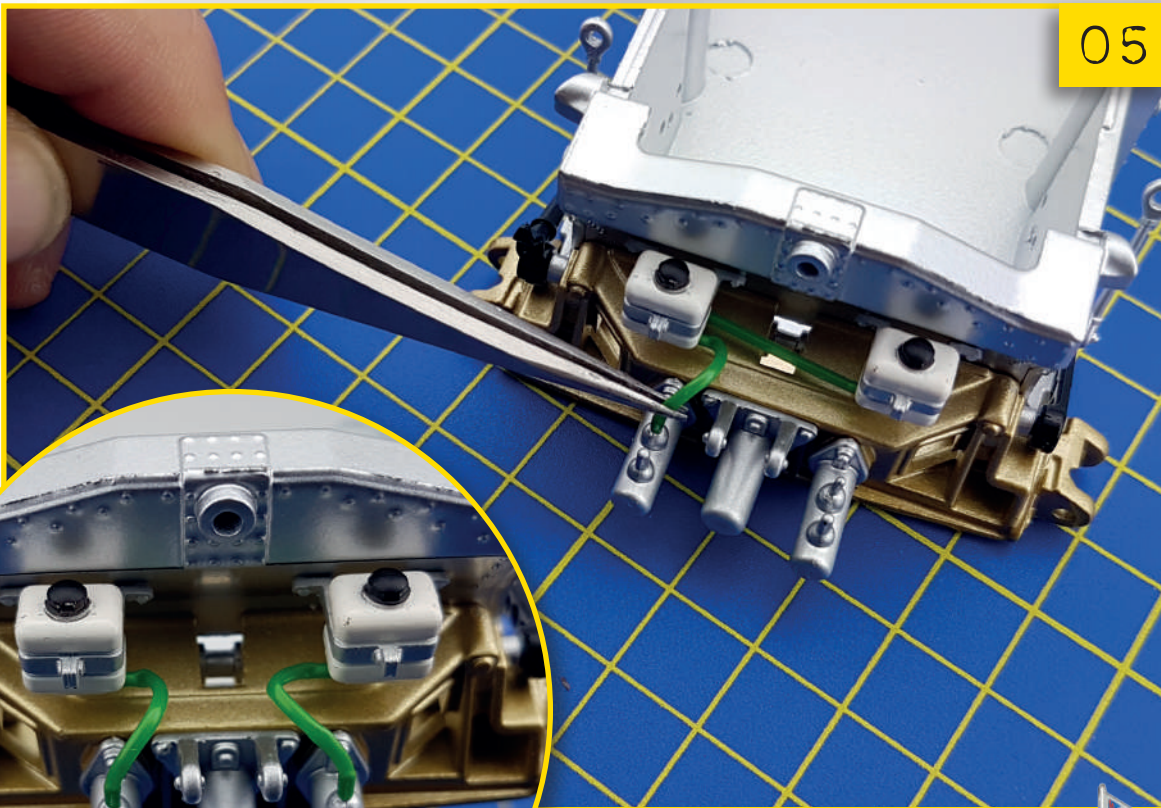
03

41-03 Now fit this assembly to the cockpit underbody (stage 36), as shown in the photograph.



41-04

Fix these assemblies together at the points shown using the two type D screws supplied in stage 39.



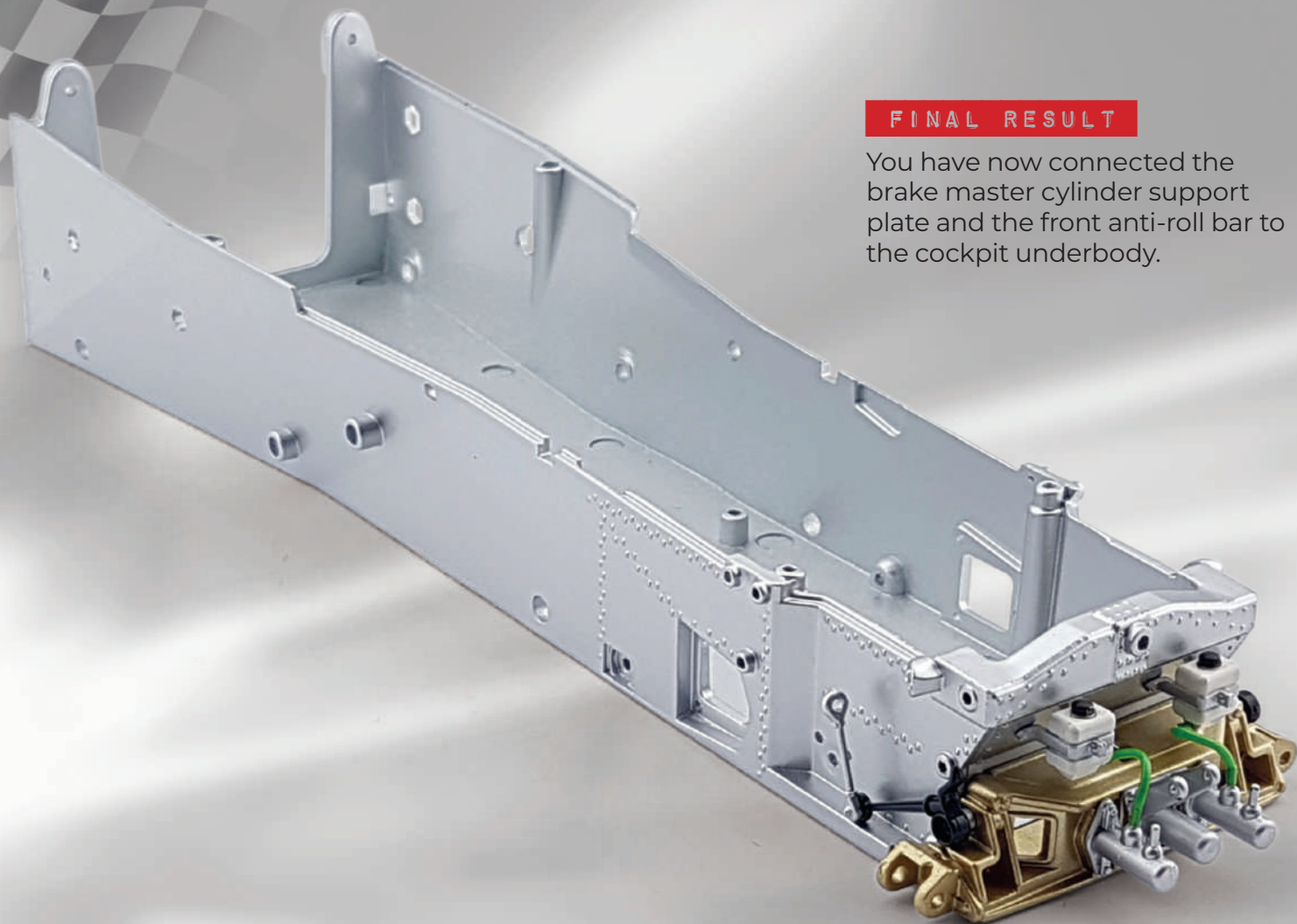
41-05

To finish, connect the two small brake circuit pipes (coming from the tanks) to the rearmost nozzle of each lateral master cylinder.



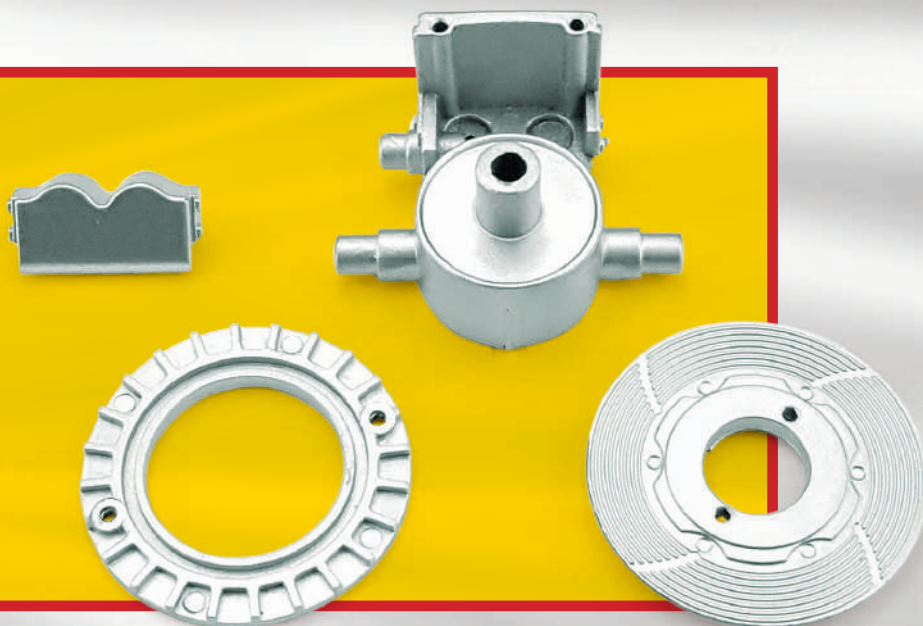
FINAL RESULT

You have now connected the brake master cylinder support plate and the front anti-roll bar to the cockpit underbody.



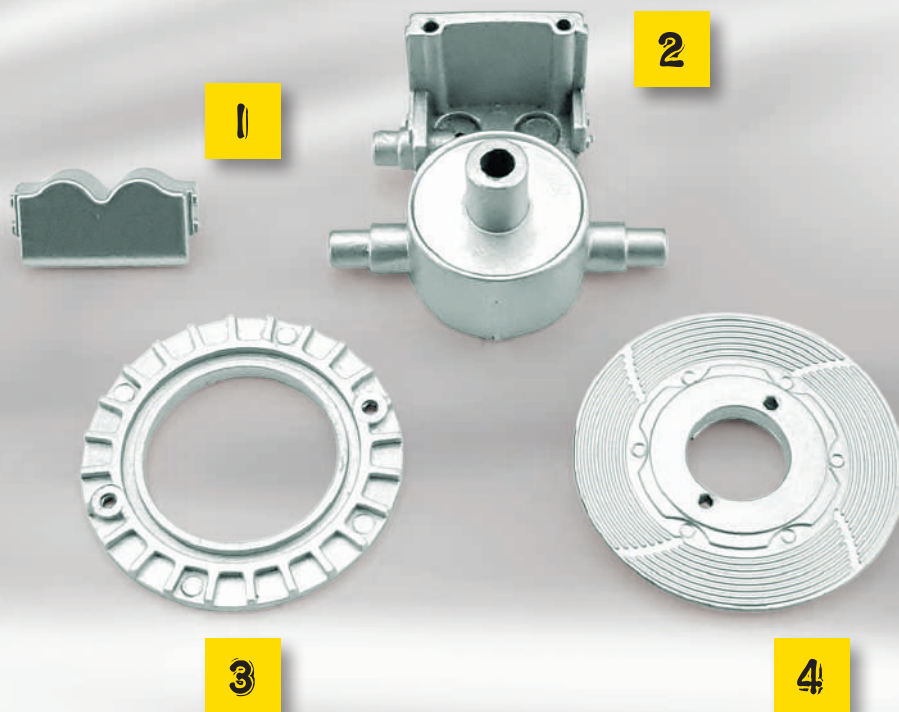
In the next stage

The disc, caliper, and brake cylinder assembly for the second front wheel.



FRONT WHEEL BRAKE COMPONENTS

THIS STAGE WILL CONTINUE WITH ASSEMBLING THE SECOND FRONT WHEEL.



LIST OF PARTS

- 1 Brake cylinder assembly
- 2 Brake caliper
- 3 Internal brake disc
- 4 External brake disc

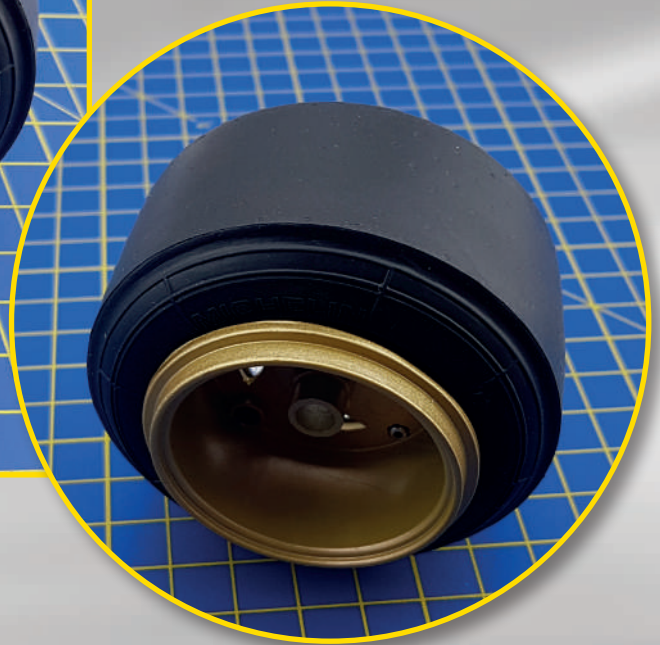


01



42-01

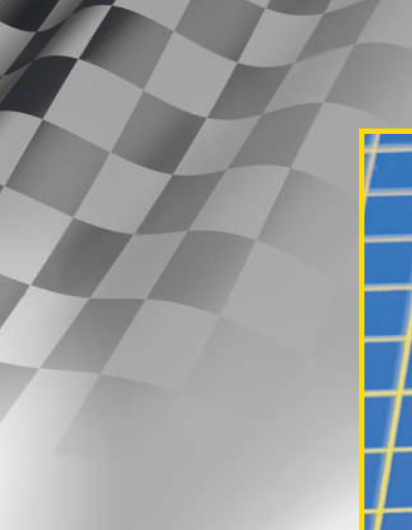
Retrieve the front rim of the second wheel and insert it into the tyre, which was supplied with stage 41.



42-02 Make sure the inner lip of the tyre fits perfectly on the outer edge of the rim.

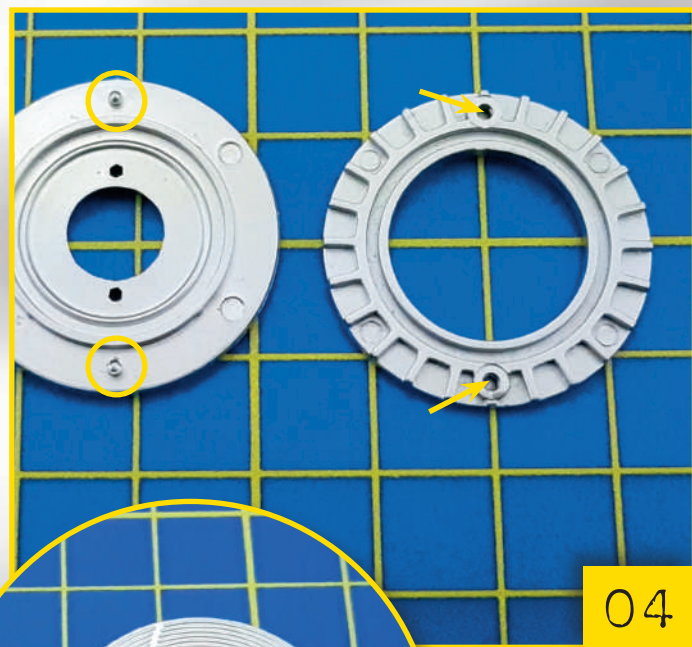
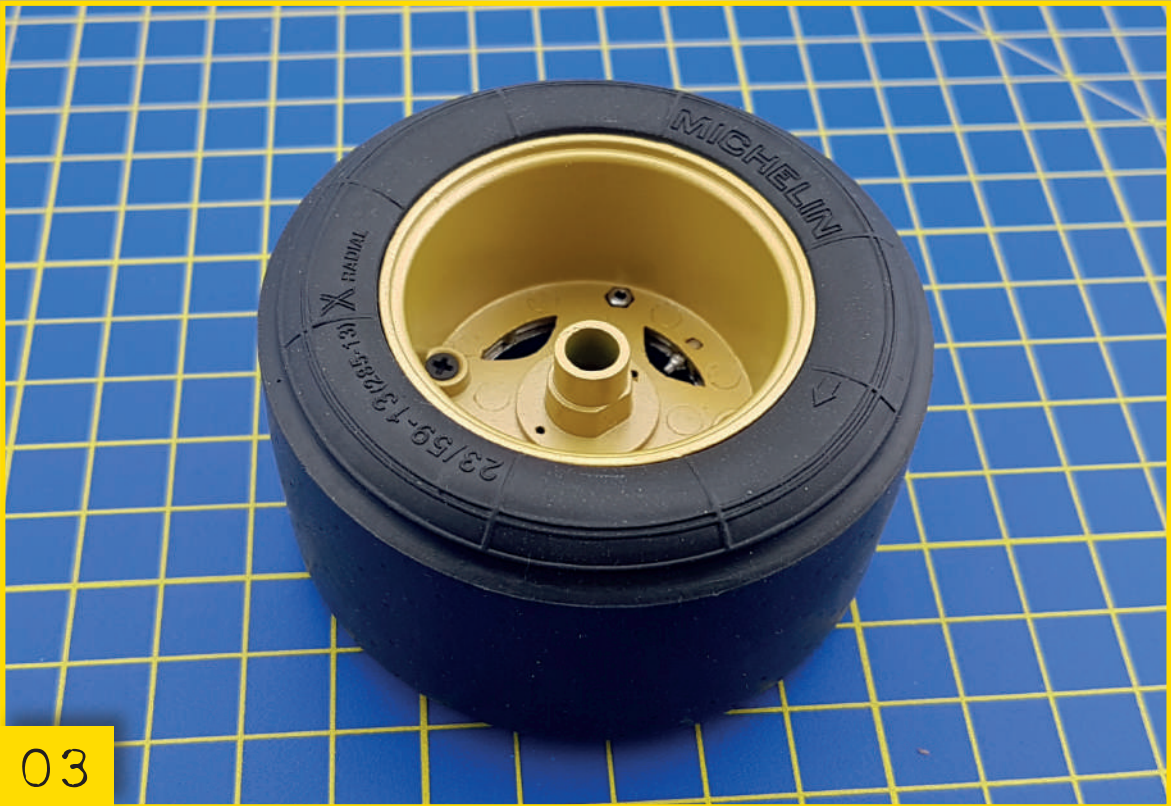
02





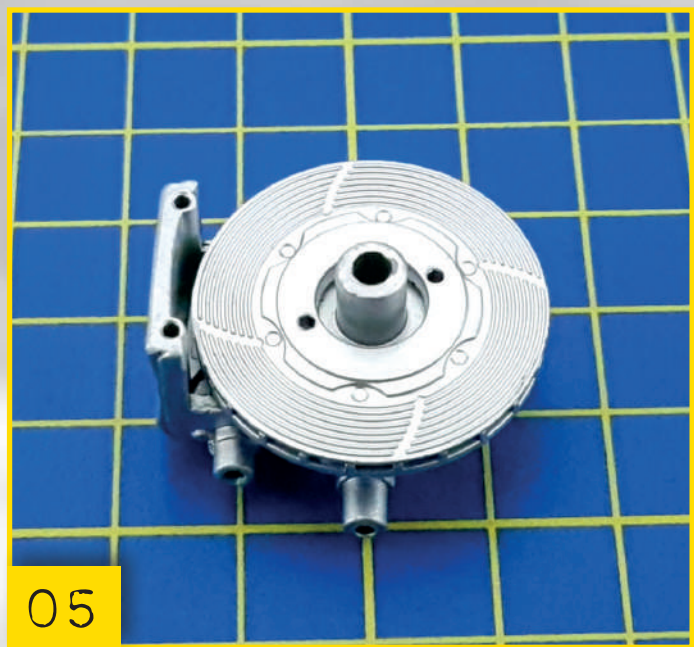
42-03

Similarly, make sure that the tyre and rim also fit perfectly on the inside of the wheel.



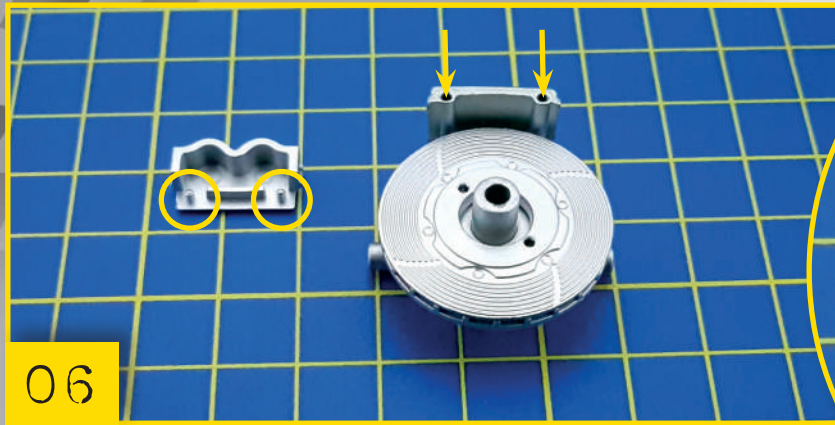
42-04

Join together the internal and external parts of the brake disc by fitting the pins (circled) into the holes (arrows).



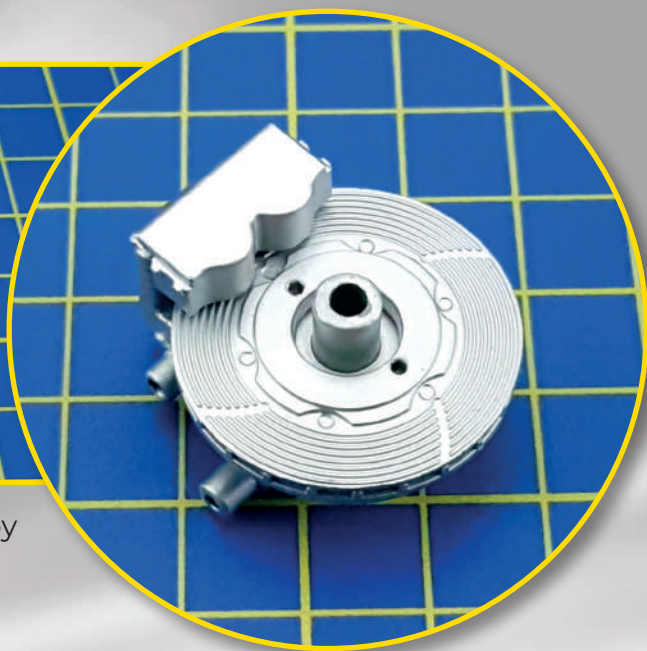
42-05

Now position the brake disc on the caliper assembly, making sure it is oriented as shown in the image.



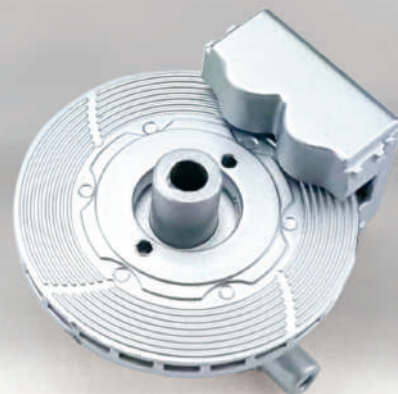
06

42-06 Finally, fix the brake cylinder unit to the caliper by pushing the pins (circled) into the holes (arrows).



FINAL RESULT

You have finished assembling the second front wheel and its brake assembly.



In the next stage

New components for the second front wheel: the air intake for the brake, the brake disc support, and the hubcap.

