

STEVE MCQUEEN'S ICONIC **PORSCHE** **917KH**



Pack 11

BUILD INSTRUCTIONS

**STAGE 81: ASSEMBLING AND
FITTING THE HEADLIGHTS**

**STAGE 82: FITTING FRONT BODY PARTS
AND APPLYING THE DECALS**

STAGE 83: FIXING THE WINDSCREEN

**STAGE 84: ATTACHING THE
TOP ROLL CAGE**

**STAGE 85: ASSEMBLING THE
REAR VIEW MIRROR AND ATTACHMENTS
FOR THE FRONT BODY**

**STAGE 86: BUILDING AND FITTING
THE LEFT DOOR LOCK**

**STAGE 87: ATTACHING THE LEFT DOOR
AND THE REAR VIEW MIRROR**

**STAGE 88: APPLYING THE DECAL TO
THE RIGHT DOOR**

**STAGE 89: ASSEMBLING AND ATTACHING
THE RIGHT DOOR**

Porsche, the Porsche shield and the distinctive design of Porsche cars are trademarks and trade dress of Porsche AG. Permission granted.

The Gulf trademarks are used under license from Gulf Oil International Ltd.

Personality rights of Steve McQueen are used with permission of Chadwick McQueen and The Terry McQueen Testamentary Trust.

Represented exclusively by Greenlight.

AGORA
MODELS

Advice from the experts

Spare screws are included with each part. Occasionally, you may be instructed to keep spare or unused screws for a later stage. Keep these spares in a safe place and label them correctly.

Please make sure you don't mix up the screws. They look quite similar, but the threads do vary slightly. Using the wrong screws may damage the parts.

When securing parts together using multiple screws, fit each screw loosely to ensure all the parts are correctly aligned before gently tightening them firmly, but not overtight, in the order in which you placed them.

The screwdriver can be magnetized by stroking it with a magnet (fridge magnet, etc.) enabling it to hold the screws and make assembly easier.

If a screw is tight going into a metal part, do not force it as you may shear the head off. Remove it and put a tiny smear of Vaseline, soap or light oil on the thread. That will lubricate it and make it easier to drive home.

During the course of this build, you will receive many pieces that you will assemble immediately – following the instructions in the corresponding stage – and other pieces that you should store safely to one side, for use in future assembly stages.

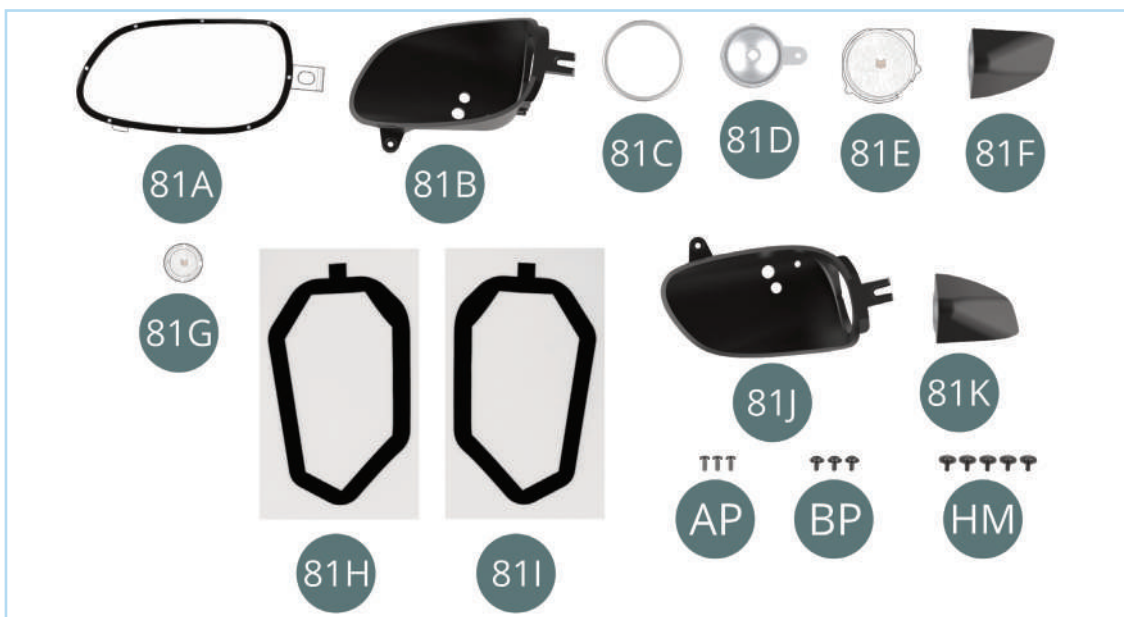
Left and Right! When building your Porsche 917KH, the left or right hand side refers to each side as you are sitting in the car.



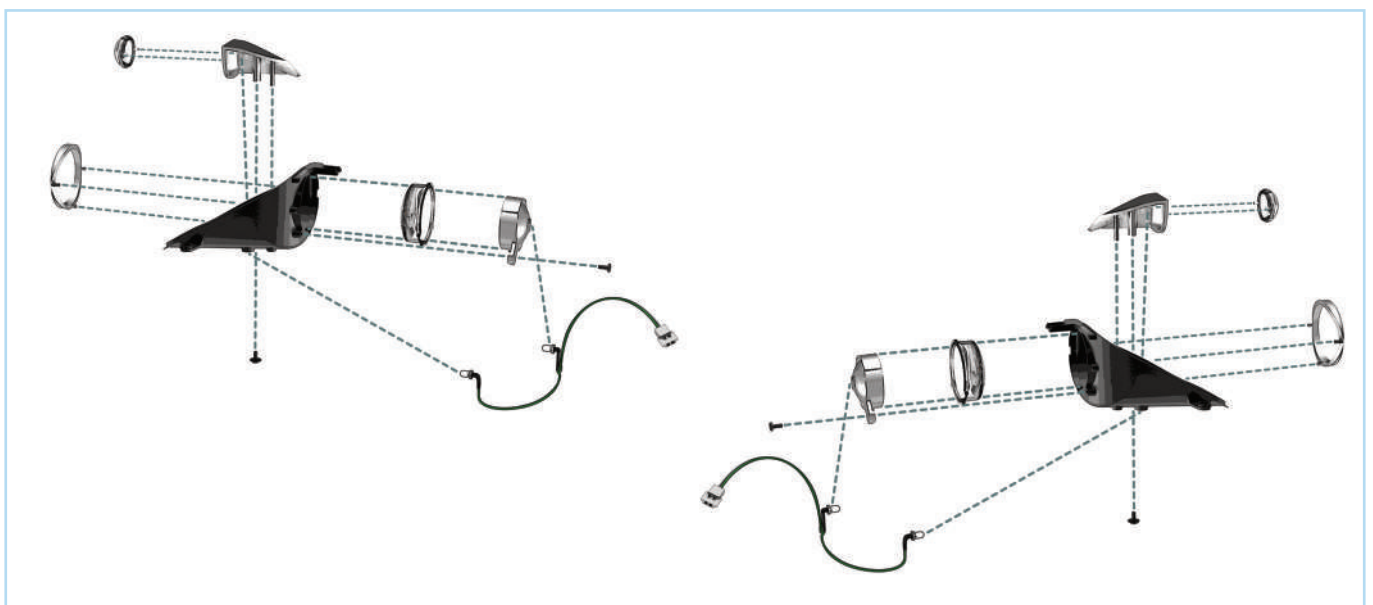
WARNING: Some parts are assembled using magnets. These magnets can cause serious injury if they are swallowed. Keep away from children. If you suspect a magnet has been swallowed, seek medical help straight away.

STAGE 81: ASSEMBLING AND FITTING THE HEADLIGHTS

- 81A** Right headlight screen
- 81B** Right headlight housing
- 81C** Headlight bezel
- 81D** Headlight reflector
- 81E** Right headlight lens
- 81F** Right small headlight housing
- 81G** Small headlight lens
- 81H** Left headlight protection (x2)
- 81I** Right headlight protection (x2)
- 81J** Left headlight housing
- 81K** Left small headlight housing
- AP** Screw 1.7 x 4 mm (x3)
- BP** Screw 1.7 x 4 x 5 mm (x3)
- HM** Screw 1.7 x 4 x 6 mm (x5)

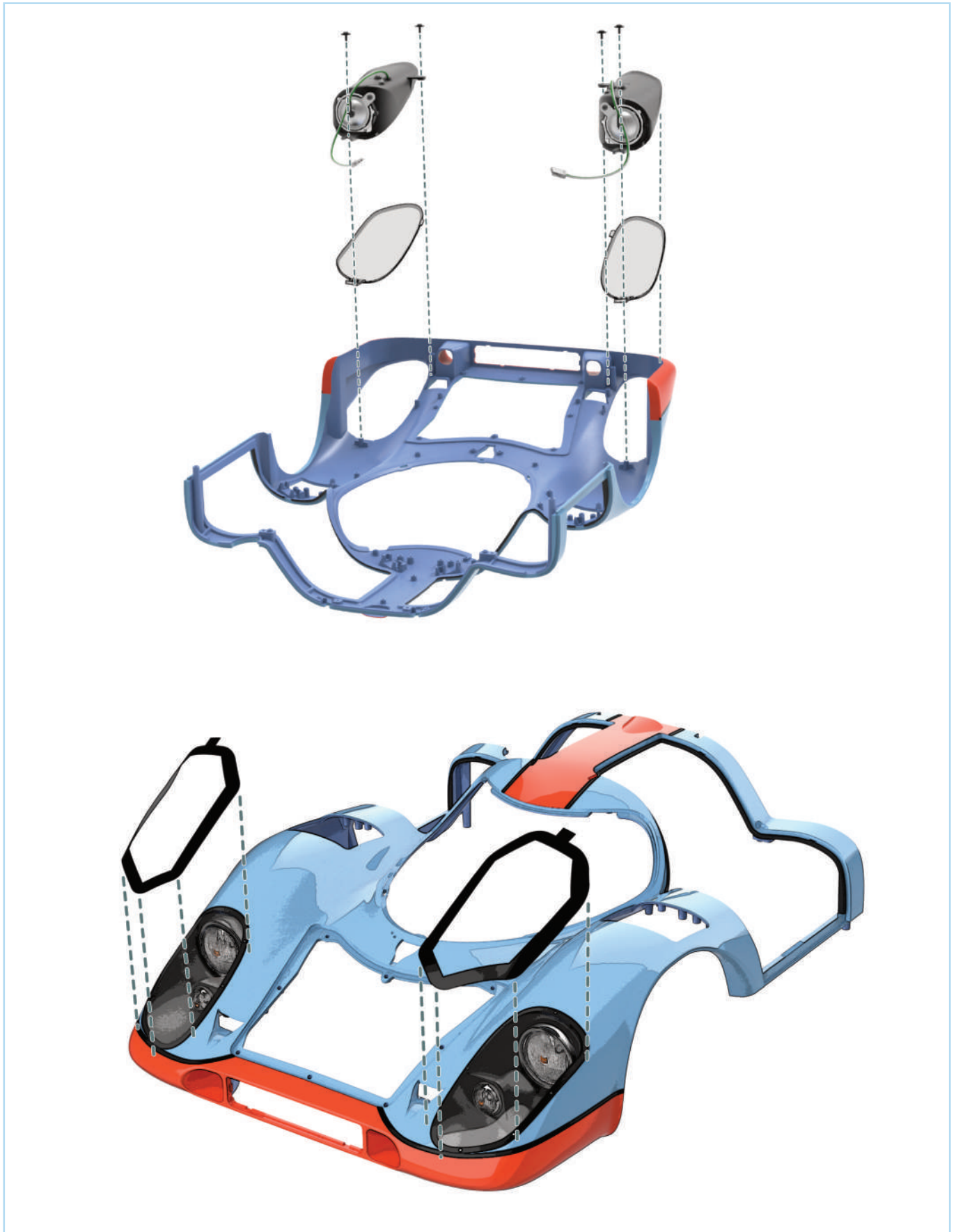


ASSEMBLY DIAGRAM



STAGE 81: ASSEMBLING AND FITTING THE HEADLIGHTS

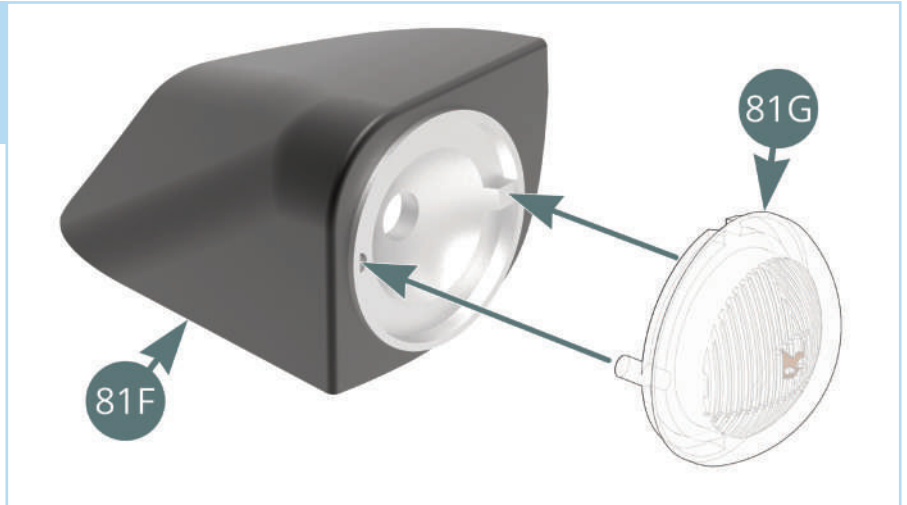
ASSEMBLY DIAGRAM



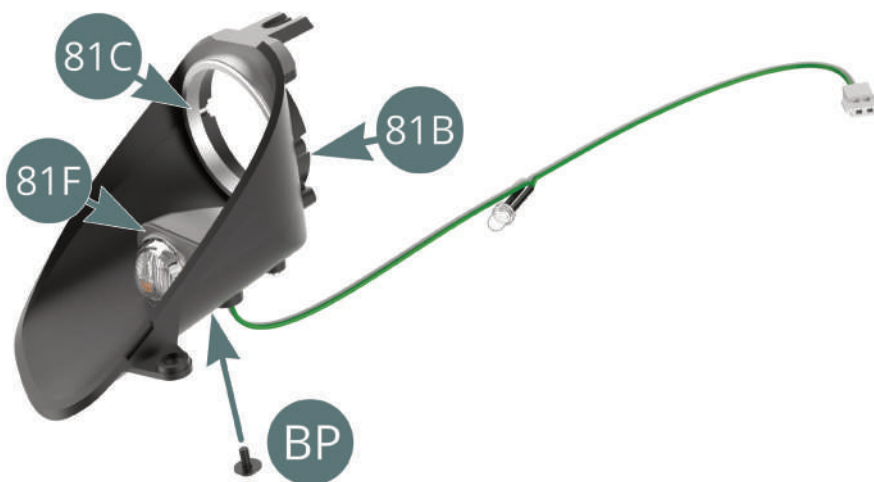
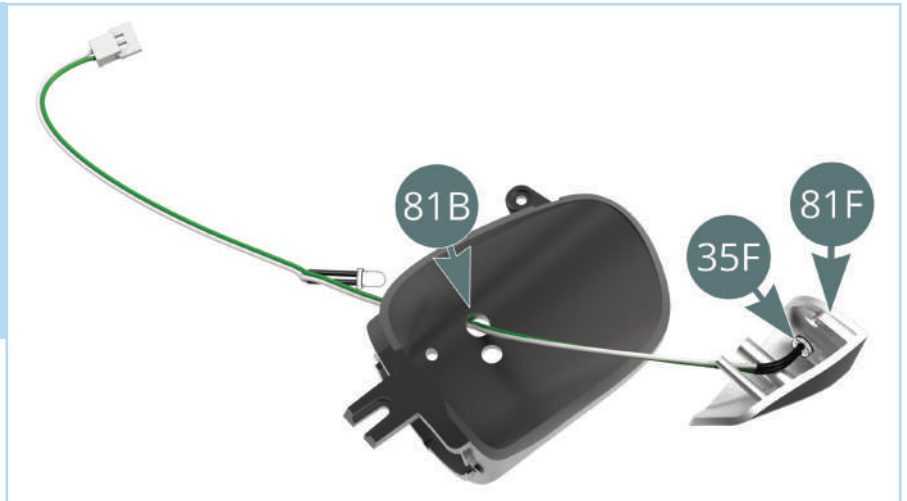
STAGE 81: ASSEMBLING AND FITTING THE HEADLIGHTS

STEP 1

Fit the **small headlight lens (81G)** into the **right small headlight housing (81F)**.



Take one of the **headlight LED cables (35F)** which were detached in Stage 65. Pass the bulb with the longer wire through the indicated hole in the **right headlight housing (81B)**. Press the bulb into the **right small headlight housing (81F)** as shown.

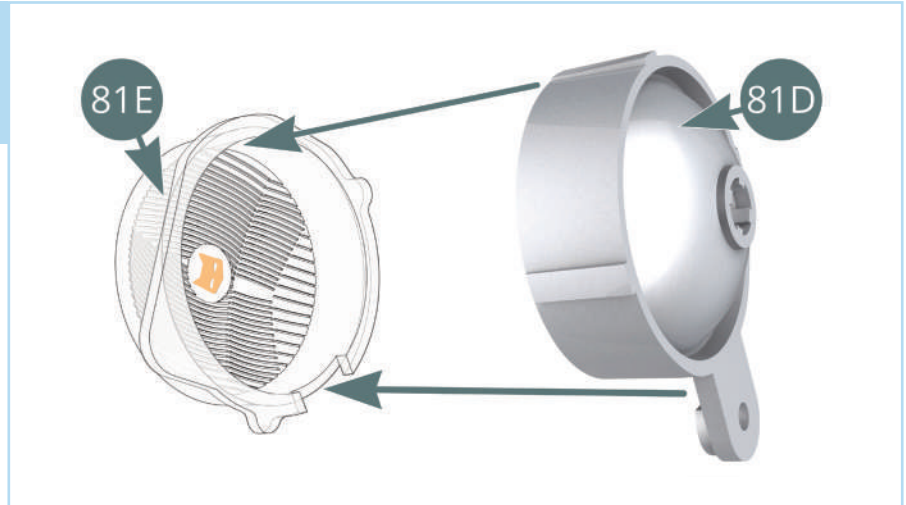


Press the **right small headlight housing (81F)** into the **right headlight housing (81B)** and secure it in place using a **BP** screw. Once in place, fit the **headlight bezel (81C)** inside the housing.

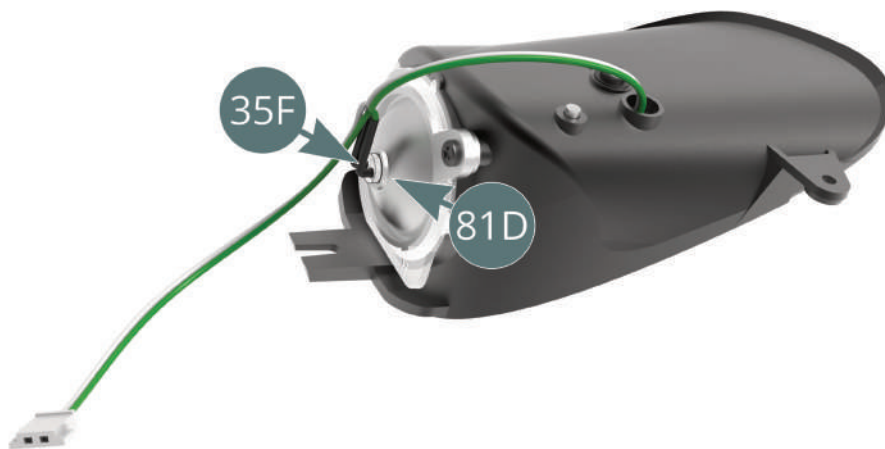
STAGE 81: ASSEMBLING AND FITTING THE HEADLIGHTS

STEP 2

Press the **headlight reflector (81D)** into the **right headlight lens (81E)**.



Attach the **headlight reflector (81D)** to the **right headlight housing (81B)** from the outside then secure it in place using an **AP screw**.



Push the bulb with the shorter wire from the **headlight LED cable (35F)** into the hole of the **headlight reflector (81D)**.

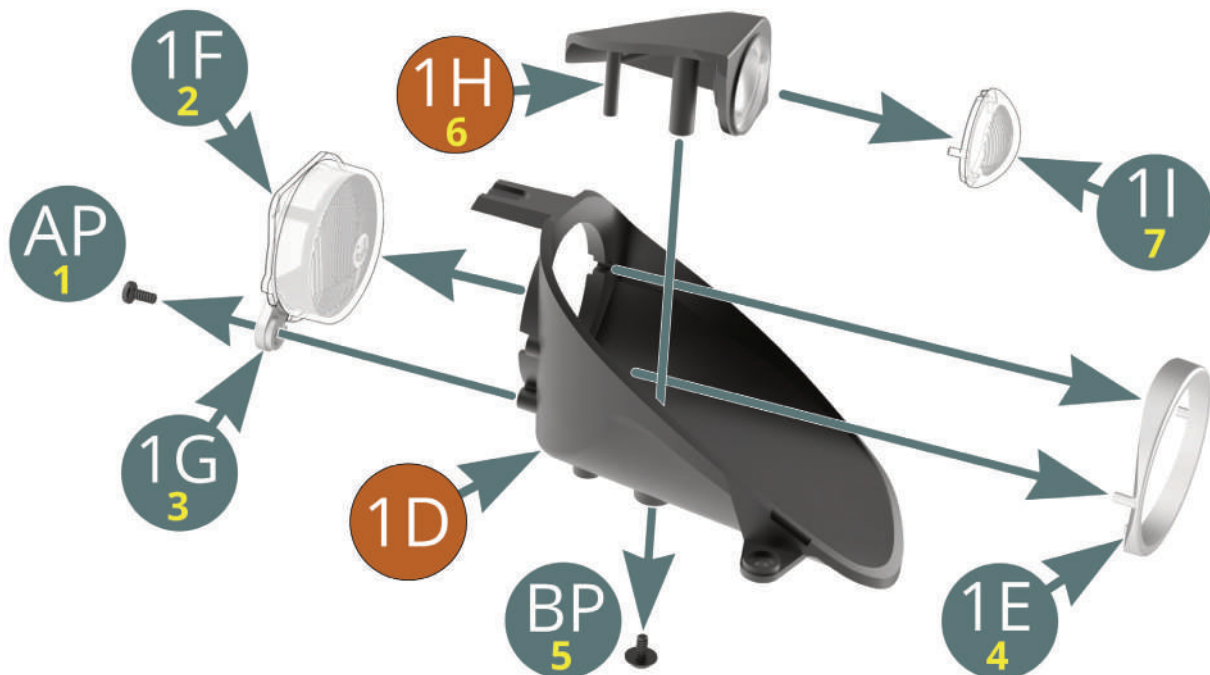
STAGE 81: ASSEMBLING AND FITTING THE HEADLIGHTS



The right side headlight should look like this once assembled.

STEP 3

If you did not assemble the left headlight in Stage 1, you can skip this step and go on to Step 4.



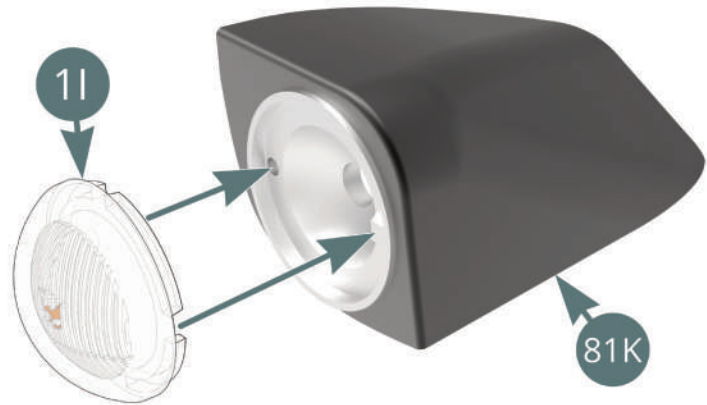
Some parts of the left headlight have been improved, meaning the left headlight which was assembled in Stage 1 needs to be disassembled to replace some of the housings with the new parts supplied in this stage. The disassembly order is marked by yellow digits in the image above.

First, remove the **AP** screw holding the **headlight reflector and lens (1F and 1G)** in place and pull them out of the housing. Next, push the silver pins of the **left headlight bezel (1E)** out of the housing to remove it, then remove the **BP** screw followed by the **small headlight housing (1H)**. Use a blunted cocktail stick to carefully push the **small headlight lens (1I)** out. Parts **1D** and **1H** can be discarded, indicated by the brown roundels – these will be replaced in the reassembly of the left headlight. Keep parts **1F** and **1G** attached together.

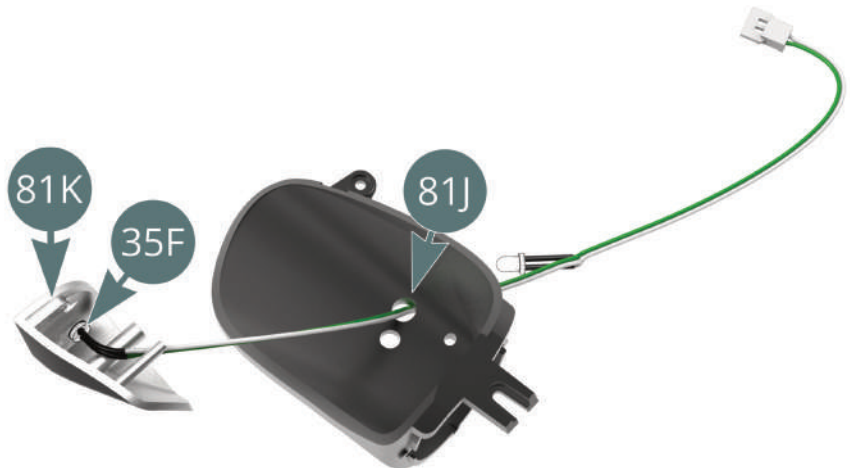
STAGE 81: ASSEMBLING AND FITTING THE HEADLIGHTS

STEP 4

Press the **small headlight lens (1I)** into the **left small headlight housing (81K)**.



Take the remaining **headlight LED cable (35F)** from Stage 65. Pass the bulb with the longer wire through the indicated hole in the **left headlight housing (81J)**. Press the bulb into the **left small headlight housing (81K)** as shown.

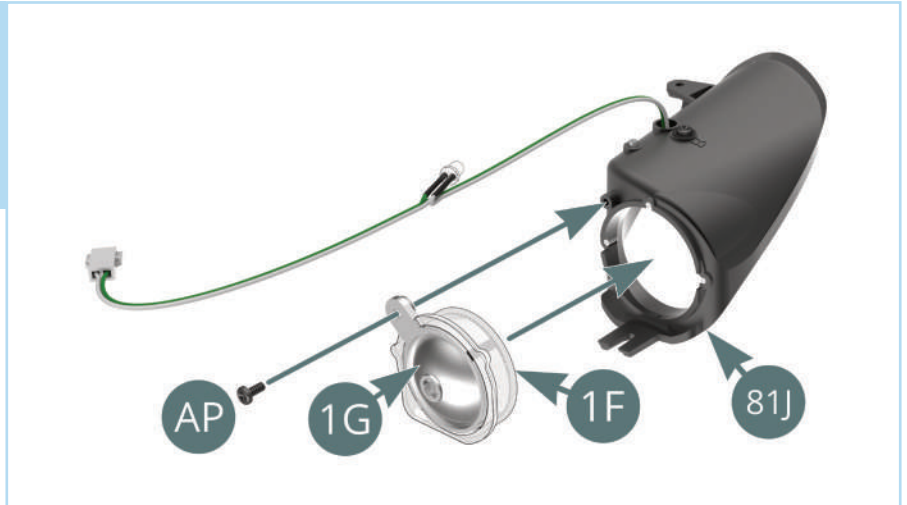


Press the **left small headlight housing (81K)** into the **left headlight housing (81J)** and secure it in place using a **BP** screw. Once in place, fit the **headlight bezel (1E)** inside the housing.

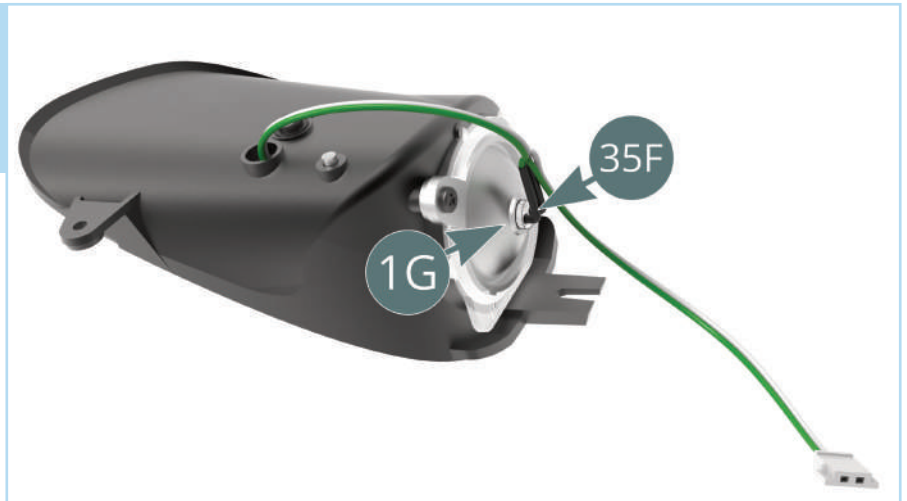
STAGE 81: ASSEMBLING AND FITTING THE HEADLIGHTS

STEP 5

Press the **headlight reflector and lens (1F and 1G)** into the **left headlight housing (81J)** from the outside then secure in place using an **AP** screw.



Push the bulb with the shorter wire from the **headlight LED cable (35F)** into the hole of the **headlight reflector (1G)**.

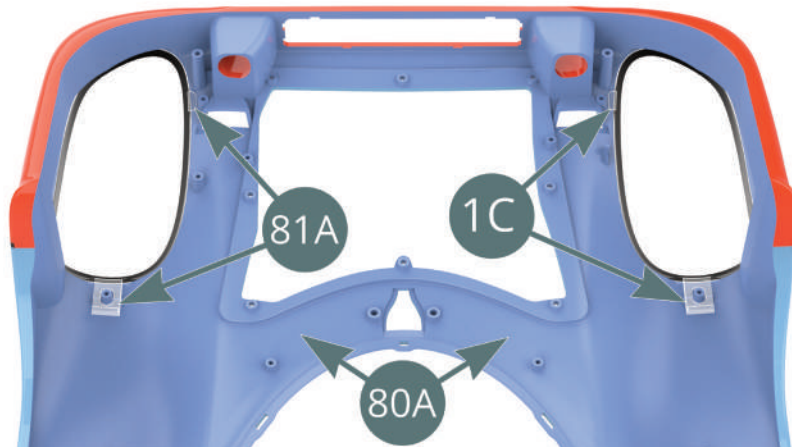
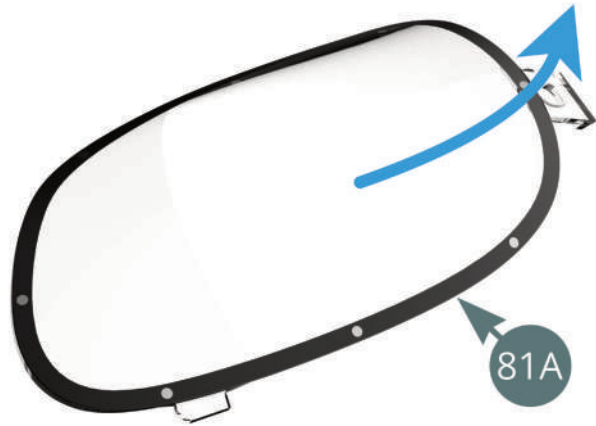


The reassembled left headlight should now look like this.

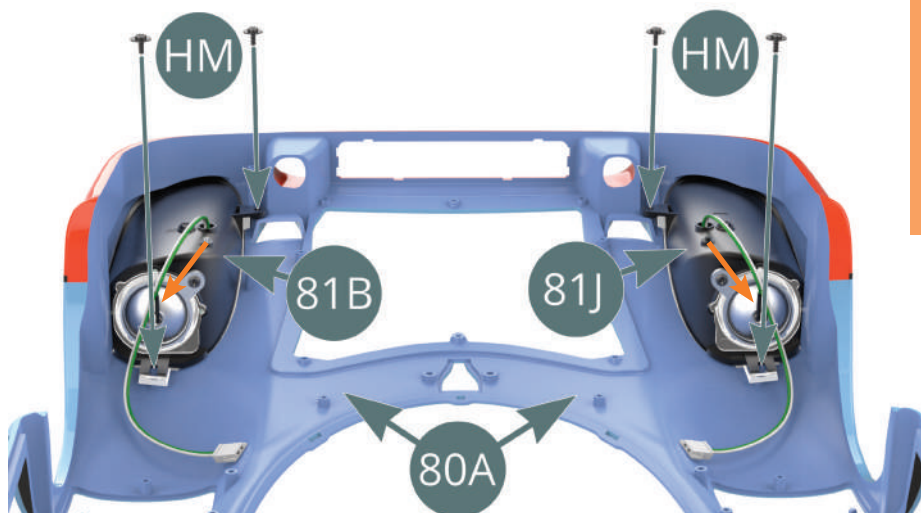
STAGE 81: ASSEMBLING AND FITTING THE HEADLIGHTS

STEP 6

Remove the protective film from the **right headlight screen (81A)**.



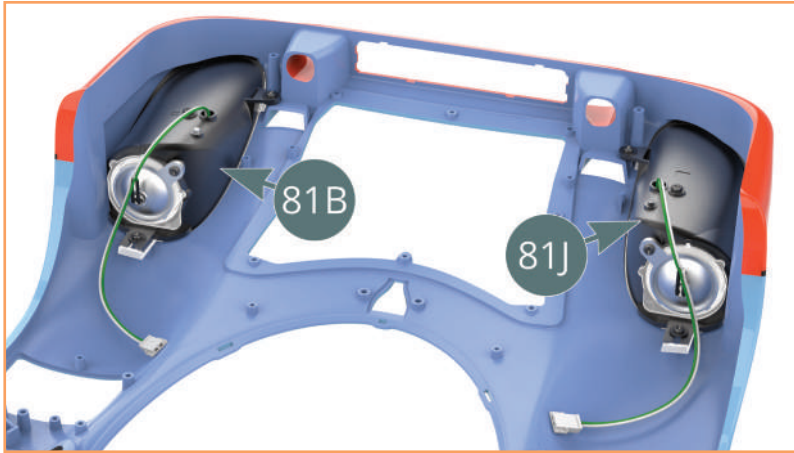
Take the **front body (80A)** and place it upside down on your work surface. Remember to use a protective surface whenever working on the body. Fit the **left and right headlight screens (1C and 81A)** in position as shown.



Carefully bend the headlight LED wires out of the way of the screw holes before fixing the housings (orange arrows).

Fit the **right and left headlight housings (81B and 81J)** over the screens as shown, then fasten them to the body using four **HM** screws.

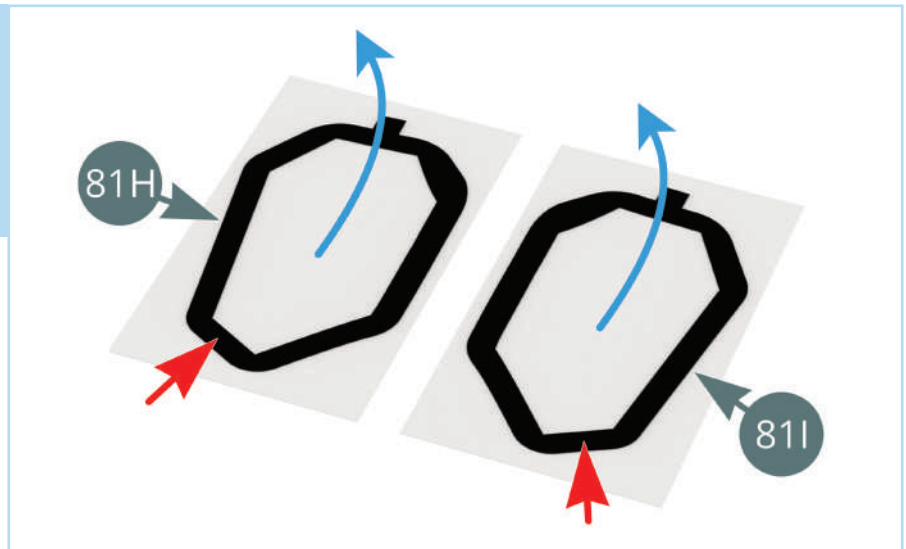
STAGE 81: ASSEMBLING AND FITTING THE HEADLIGHTS



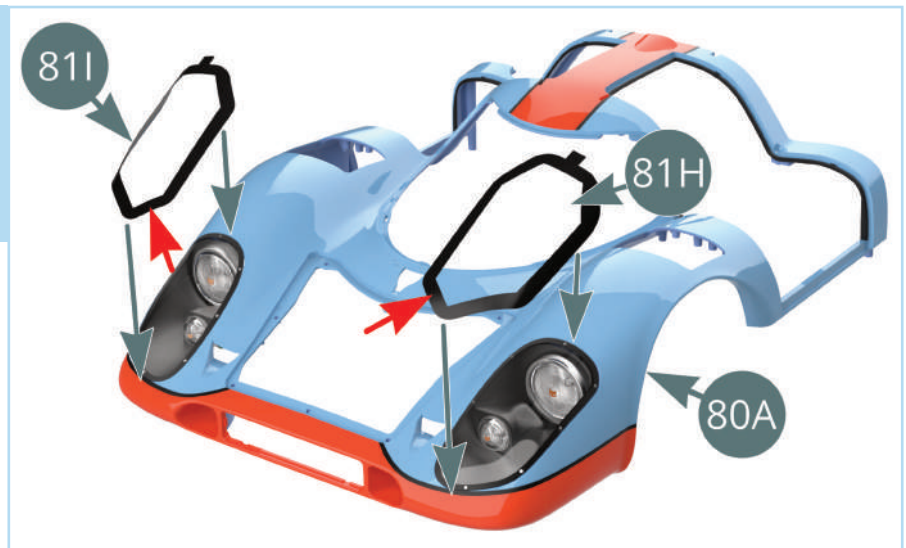
The headlights have been installed in the front body.

STEP 7

Carefully peel the **left and right headlight protection (81H and 81I)** stickers from their backing paper. Note the short sections highlighted by the red arrows.



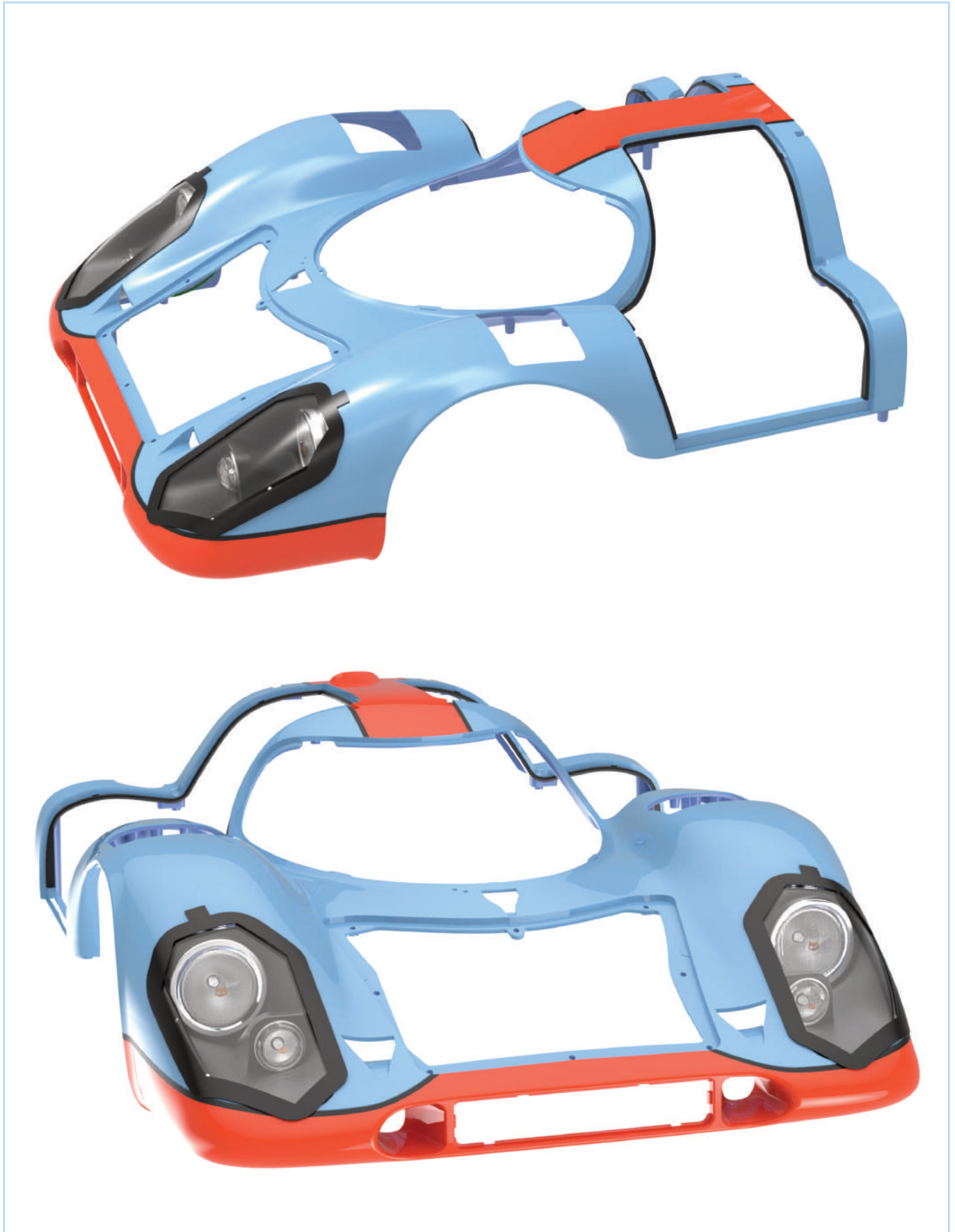
Apply the **headlight protections (81H and 81I)** over the headlight screens as shown. Note the short sections are oriented inwards, as shown by the red arrows.



The transparent film of the headlight protection will wrinkle slightly when applied over the headlight screens – this is normal and the same as the protection for the real cars.

STAGE 81: ASSEMBLING AND FITTING THE HEADLIGHTS

STAGE COMPLETE



STAGE 82: FITTING FRONT BODY PARTS AND APPLYING THE DECALS

82A Air intake mesh

82B Left air scoop

82C Right air scoop

82D Left air buildup release grid

82E Right air buildup release grid

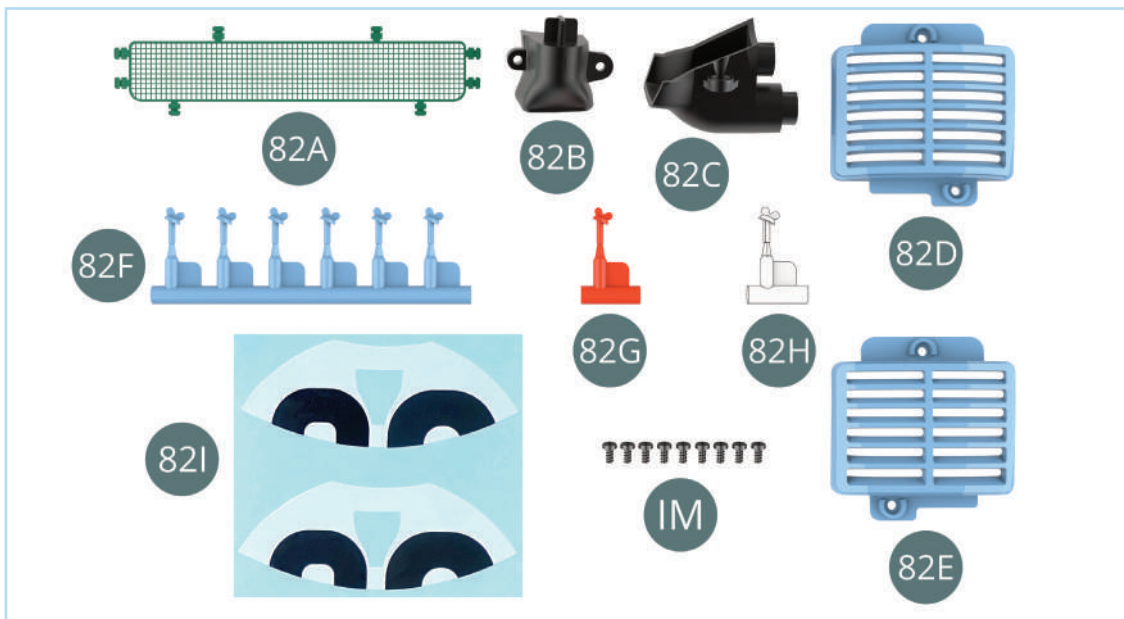
82F Blue hood cover lock (x6)

82G Orange hood cover lock

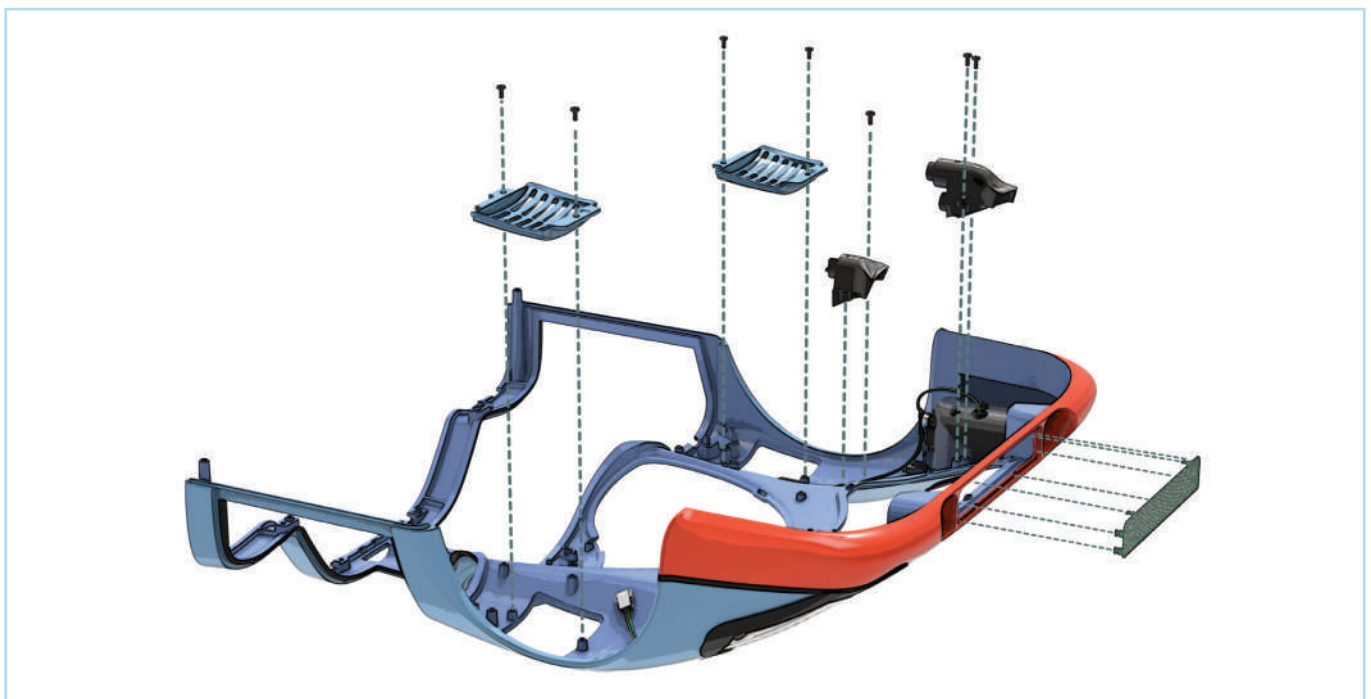
82H White hood cover lock

82I Decal (x2)

IM Screw 1.7 x 3.5 mm (x9)

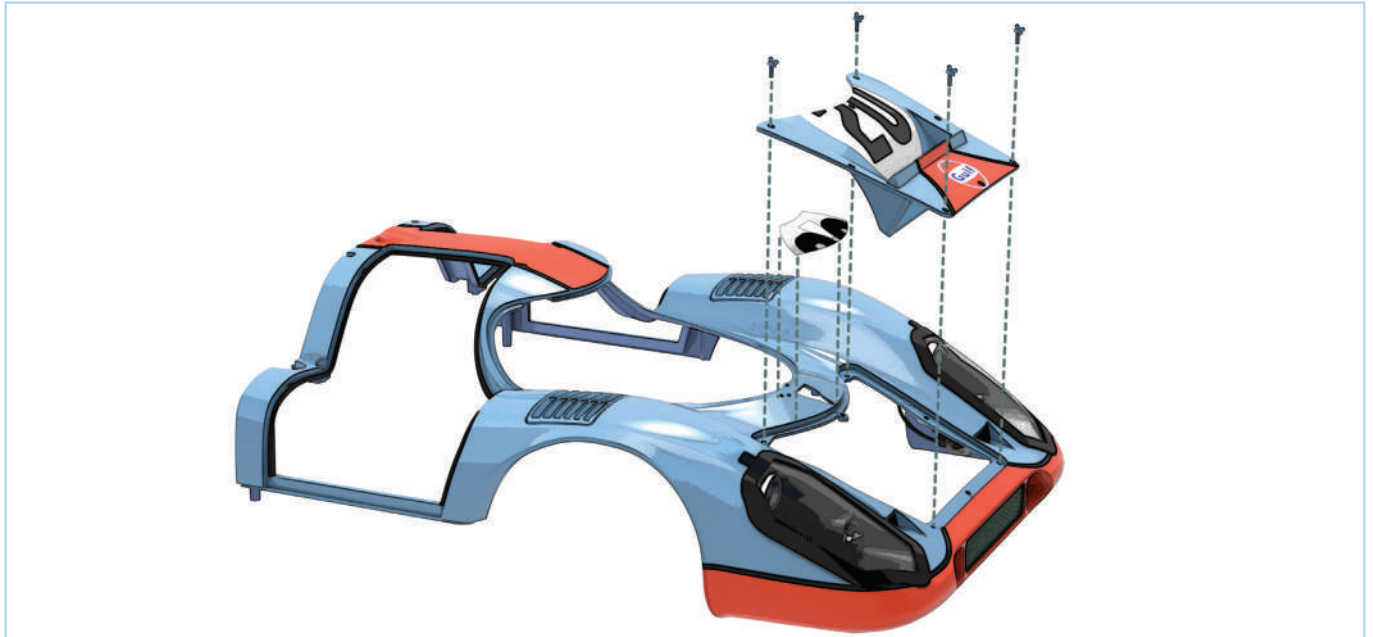


ASSEMBLY DIAGRAM



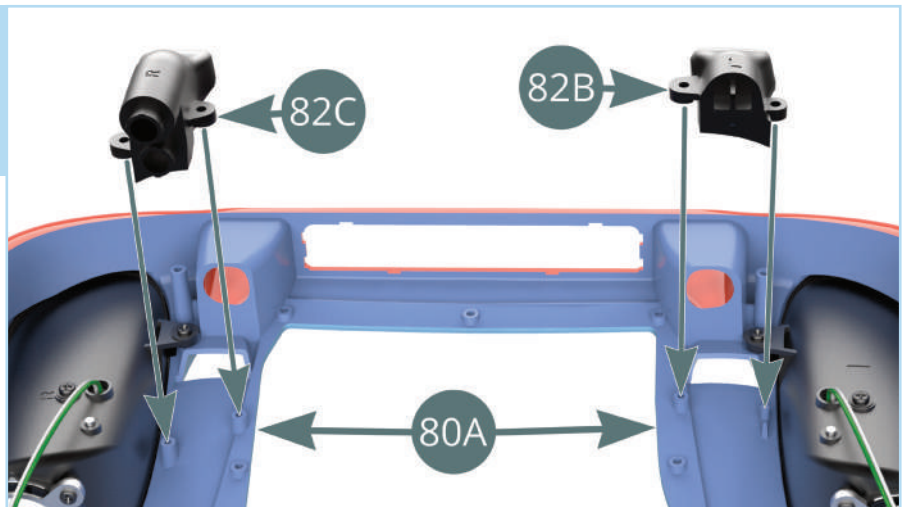
STAGE 82: FITTING FRONT BODY PARTS AND APPLYING THE DECALS

ASSEMBLY DIAGRAM

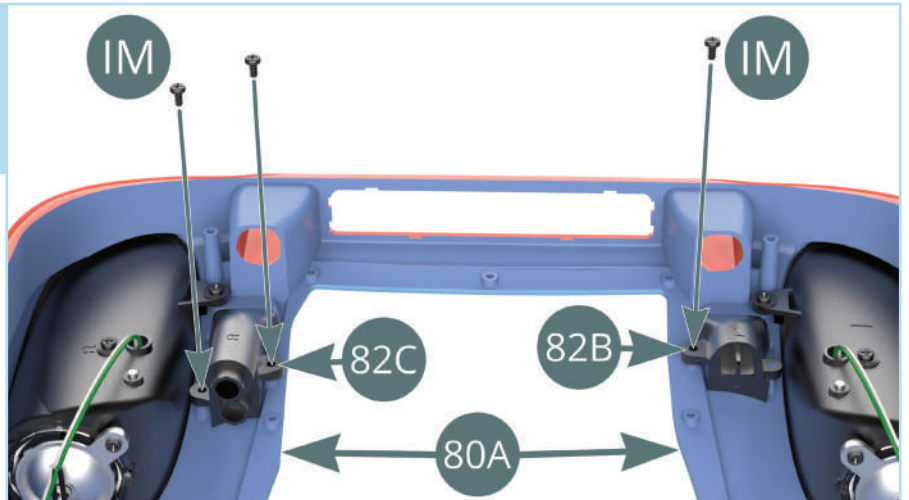


STEP 1

Fit the **left and right air scoops (82B and 82C)** (marked with 'L' and 'R') onto the front body (**80A**).

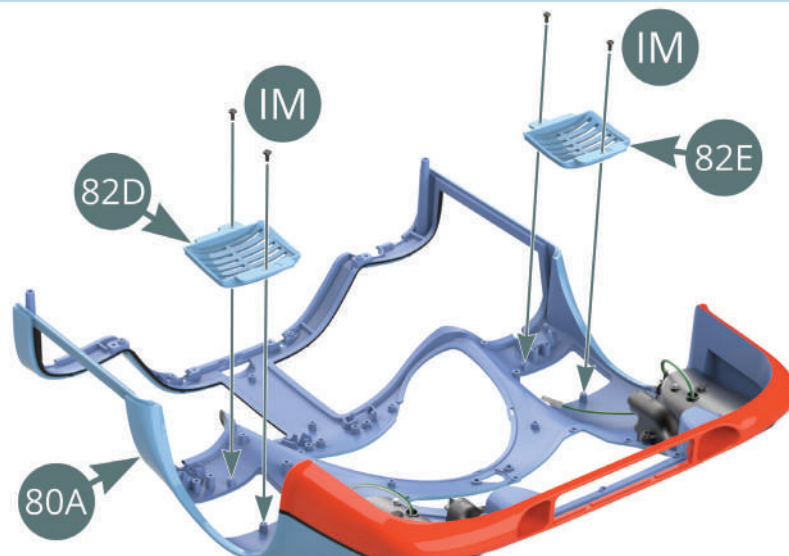


Use three **IM** screws to attach the scoops to the body – two screws for the right and one screw for the left as shown.



STAGE 82: FITTING FRONT BODY PARTS AND APPLYING THE DECALS

STEP 2



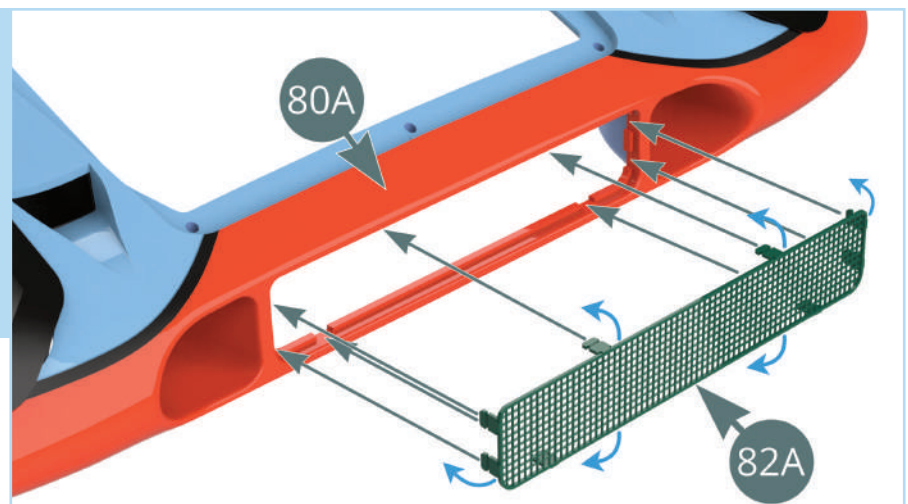
Attach **left and right air buildup release grids (82D and 82E)** to the inner side of **front body (80A)**, then fix in place using four **IM** screws.



The air buildup release grids should look like this once attached to the front body.

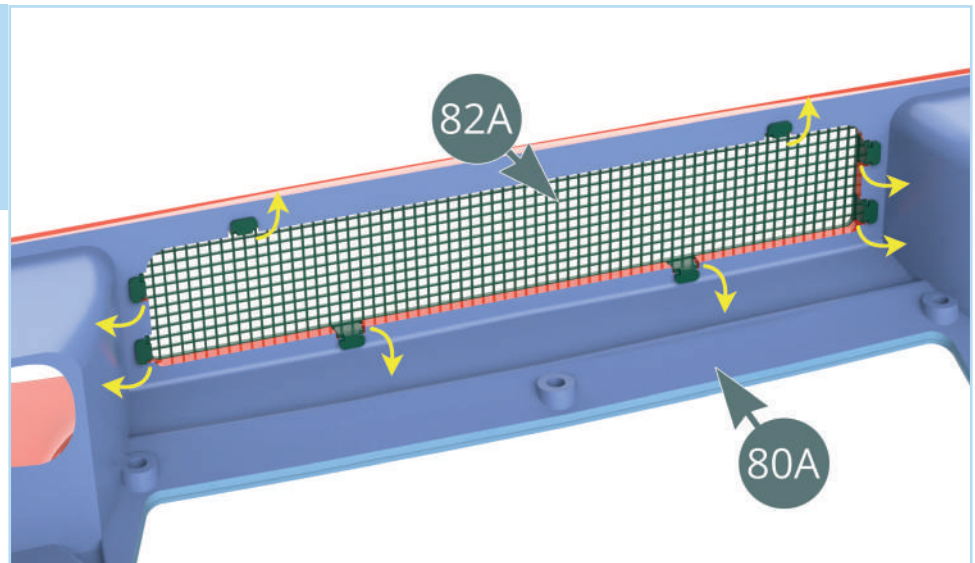
STEP 3

Turn the **front body (80A)** upright and align the **air intake mesh (82A)** with it as shown. Bend the eight tabs at a right angle as indicated by the blue arrows, then fit them into the corresponding recesses in the body, as shown by the green arrows.



STAGE 82: FITTING FRONT BODY PARTS AND APPLYING THE DECALS

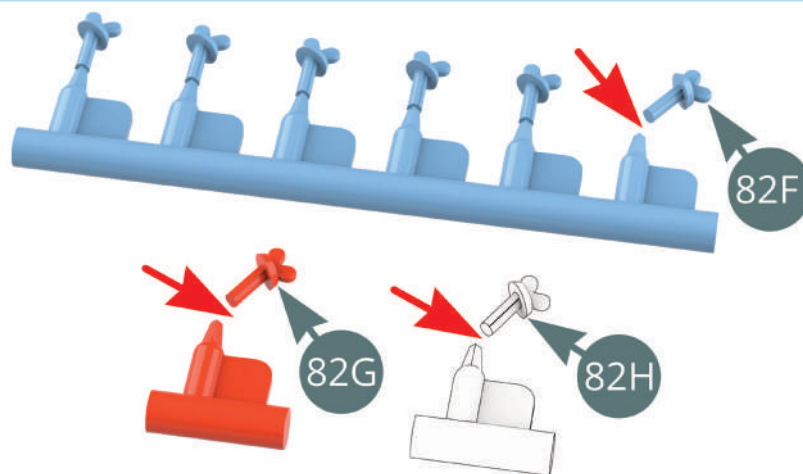
Once the **air intake mesh (82A)** is in place, bend the tabs again to secure it in place, as shown by the yellow arrows.



The air intake mesh has been installed to the front body.



STEP 4



Using a sharp knife or sprue cutters, detach the **blue hood cover locks (82F)**, the **orange hood cover lock (82G)** and the **white hood cover lock (82H)** from their sprues. Be sure to cut at the point indicated by the red arrows. Keep four of the blue cover locks for the next step, the others can be stored away safely until needed in a later stage.

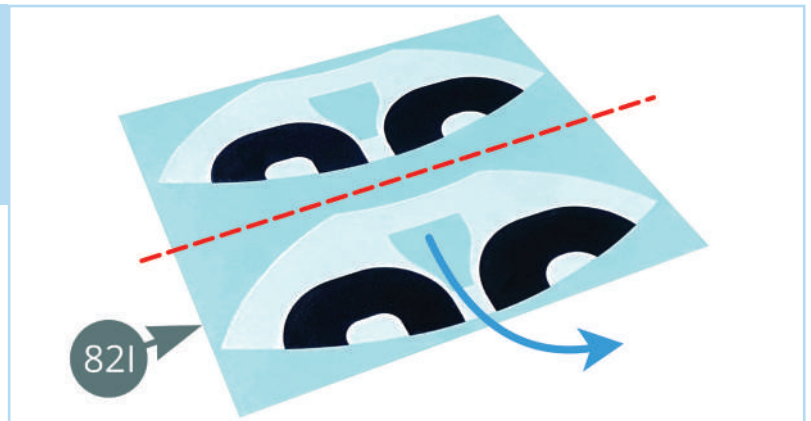
STAGE 82: FITTING FRONT BODY PARTS AND APPLYING THE DECALS

Place the **hood cover (1B)** in the **front body (80A)** and temporarily hold it in position using the four **blue hood cover locks (82F)** as shown. Check the area where the decal will be applied, indicated by the orange arrow and the dashed line, is free from any dust.



STEP 5

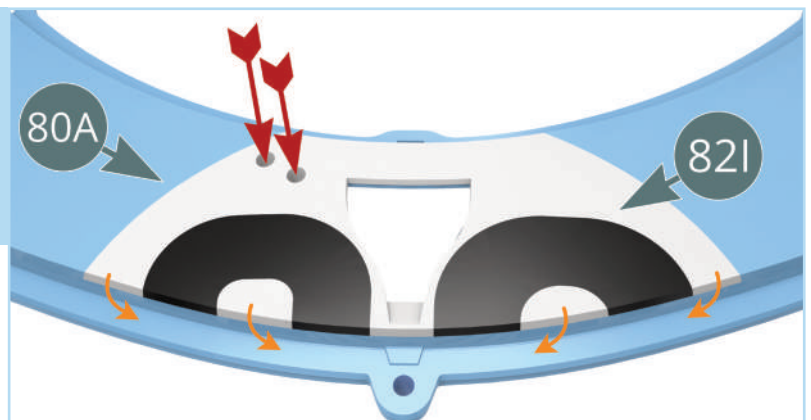
Cut away one of the **decals (82I)** as shown by the dashed red line. Place it in water for around 60 seconds, then remove it to apply to the front body as shown by the blue arrow.



While the **decal (82I)** is still wet, slide it in position on the front body so that it aligns with the number 20 on the **hood cover (1B)** (dashed red line). Once aligned, remove the **blue hood cover locks (82F)** and lift the hood cover away from the body. Store the cover locks with the others.



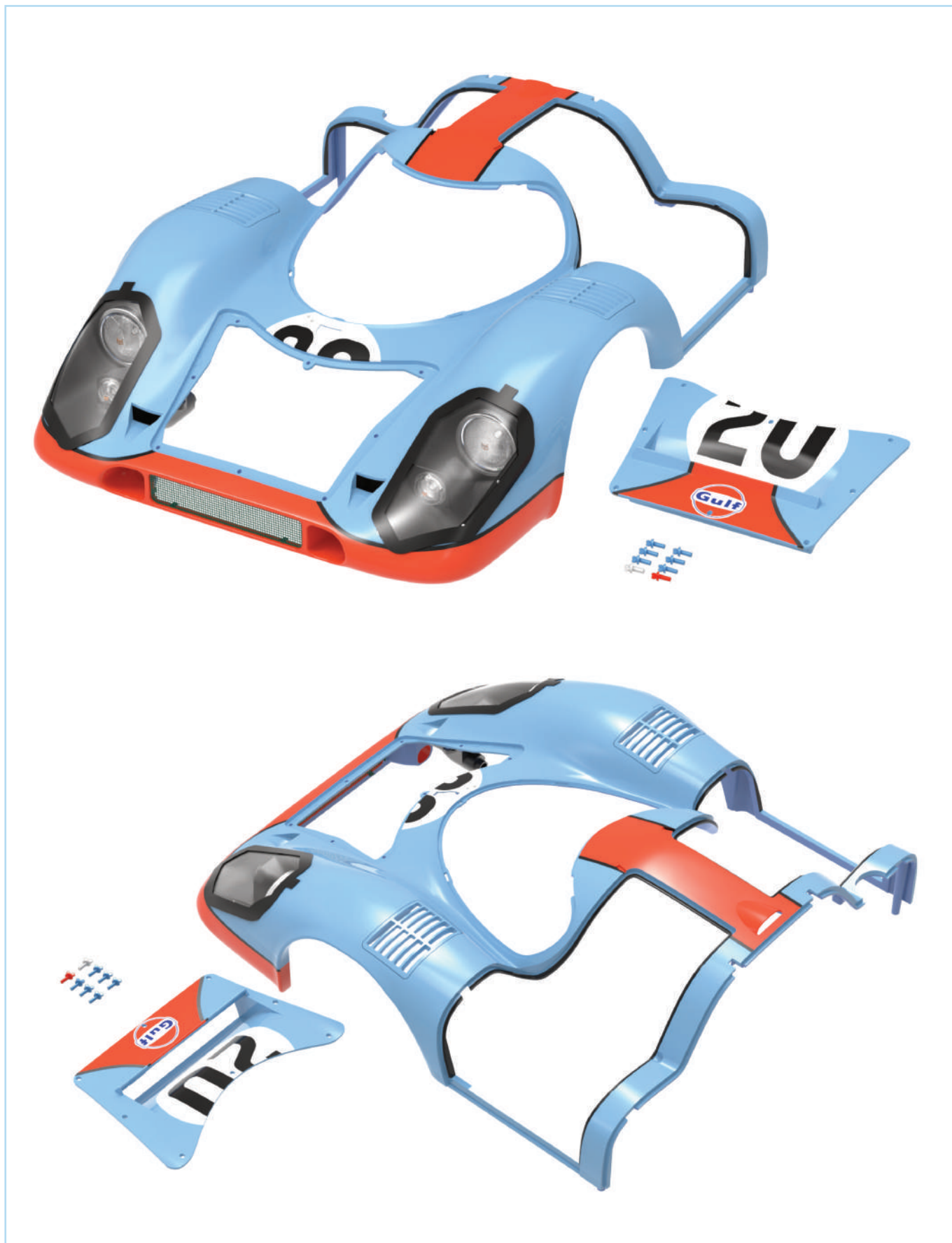
Smooth the **decal (82I)** over the edge of the **front body (80A)** as shown by the orange arrows. Allow to set for 3 minutes. Once dry, carefully puncture two holes in the upper area indicated by the red arrow using a needle.



You may wish to use a decal softener to get a smooth finish over the edge and along the curve.

STAGE 82: FITTING FRONT BODY PARTS AND APPLYING THE DECALS

STAGE COMPLETE



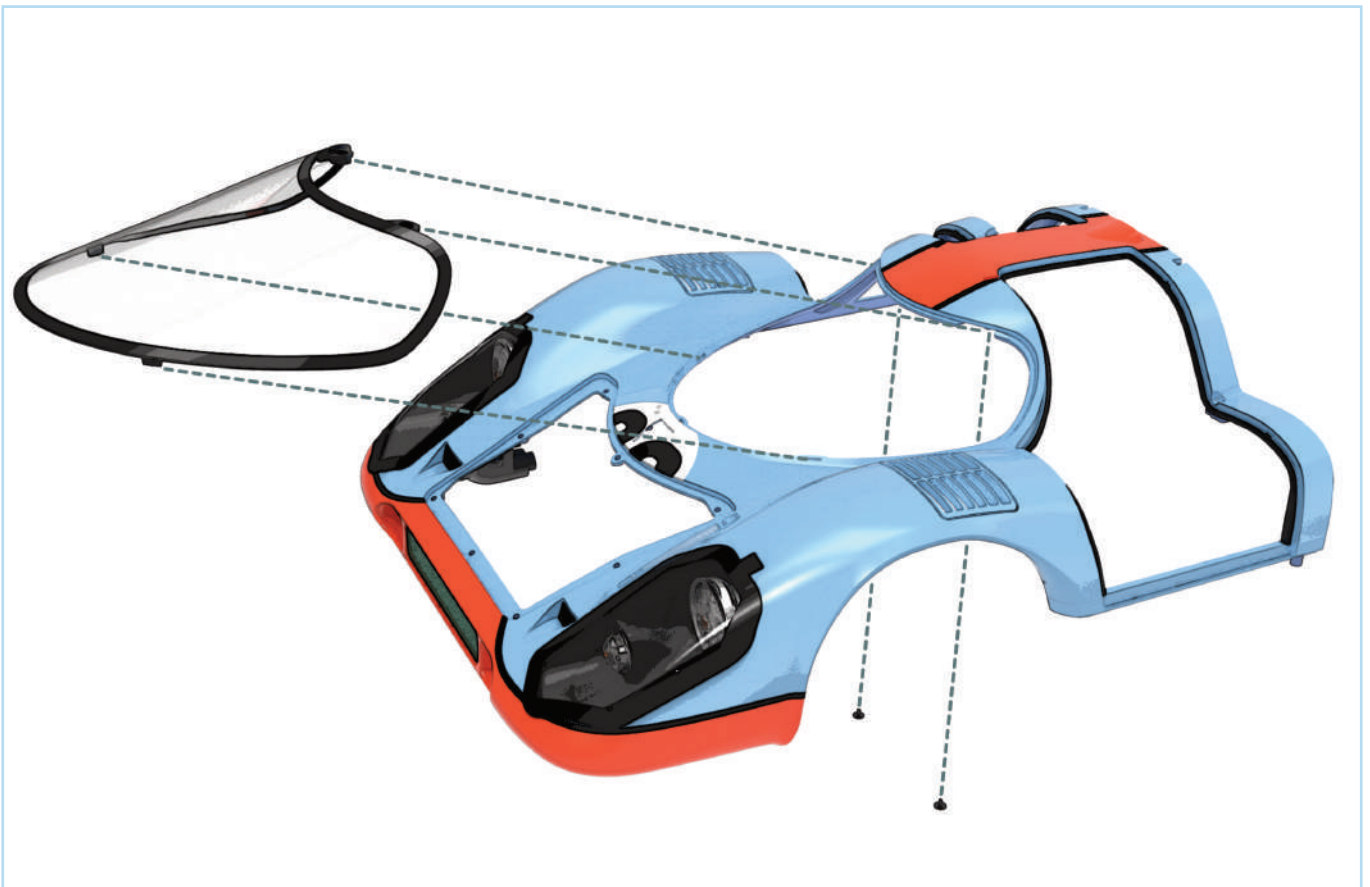
STAGE 83: FIXING THE WINDSCREEN

83A Windscreen

KM Screw 1.7 x 3 x 5 mm (x3)

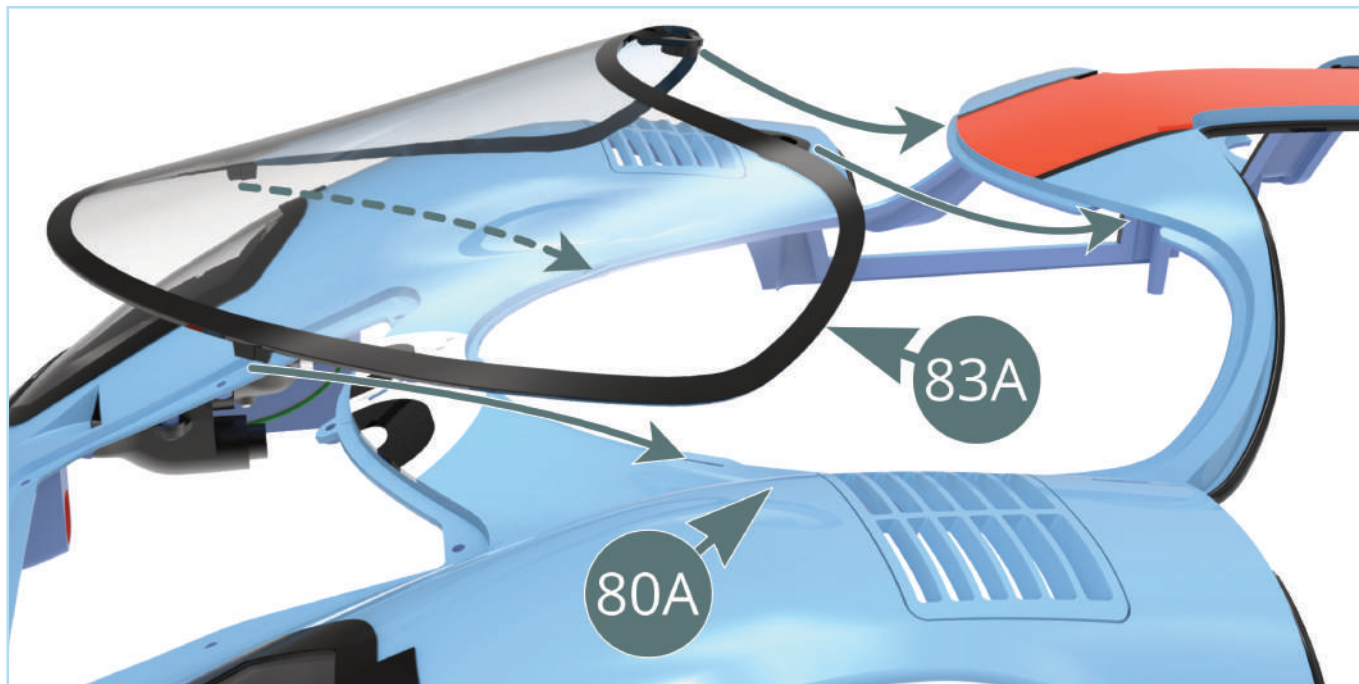


ASSEMBLY DIAGRAM



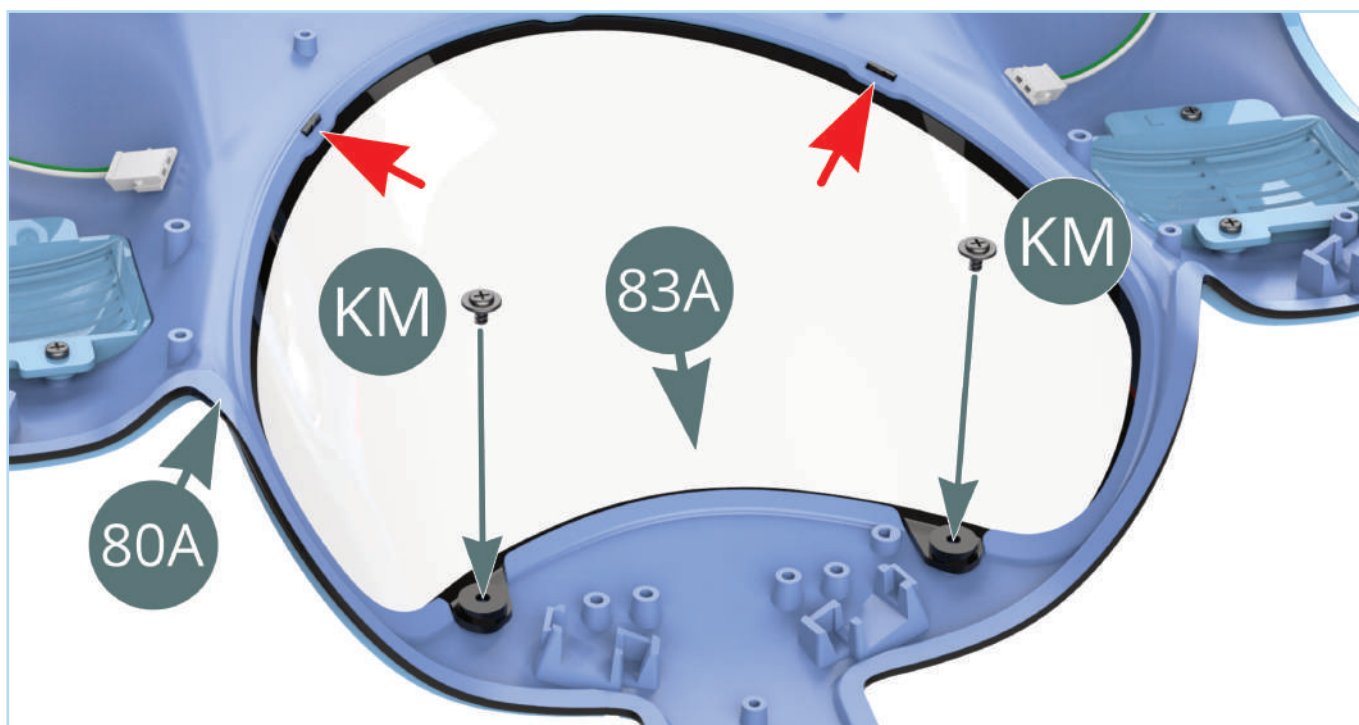
STAGE 83: FIXING THE WINDSCREEN

STEP 1



Locate the screw holes and tabs on the **windscreen (83A)** and the corresponding fixing points on the **front body (80A)**, then fit the windscreen in place as shown.

STEP 2



Turn the assembly over and check the two tabs of the **windscreen (83A)** are fully seated in the fixing points of the **front body (80A)** as shown by the red arrows. Secure the windscreen in place using two **KM** screws.

STAGE 83: FIXING THE WINDSCREEN

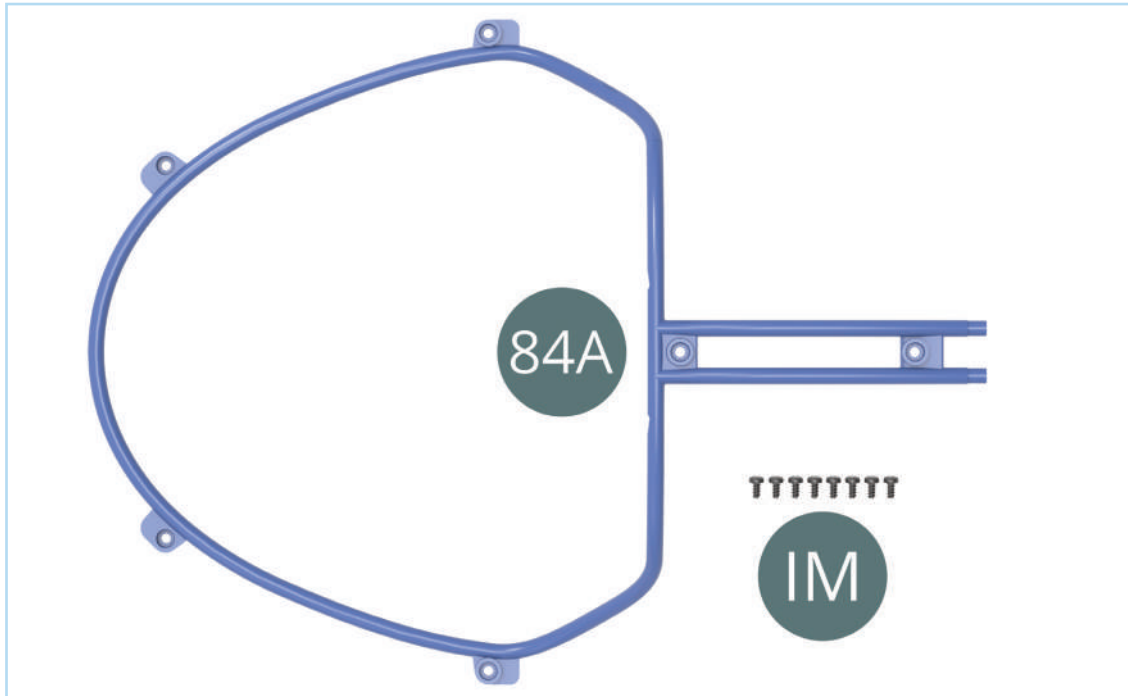
STAGE COMPLETE



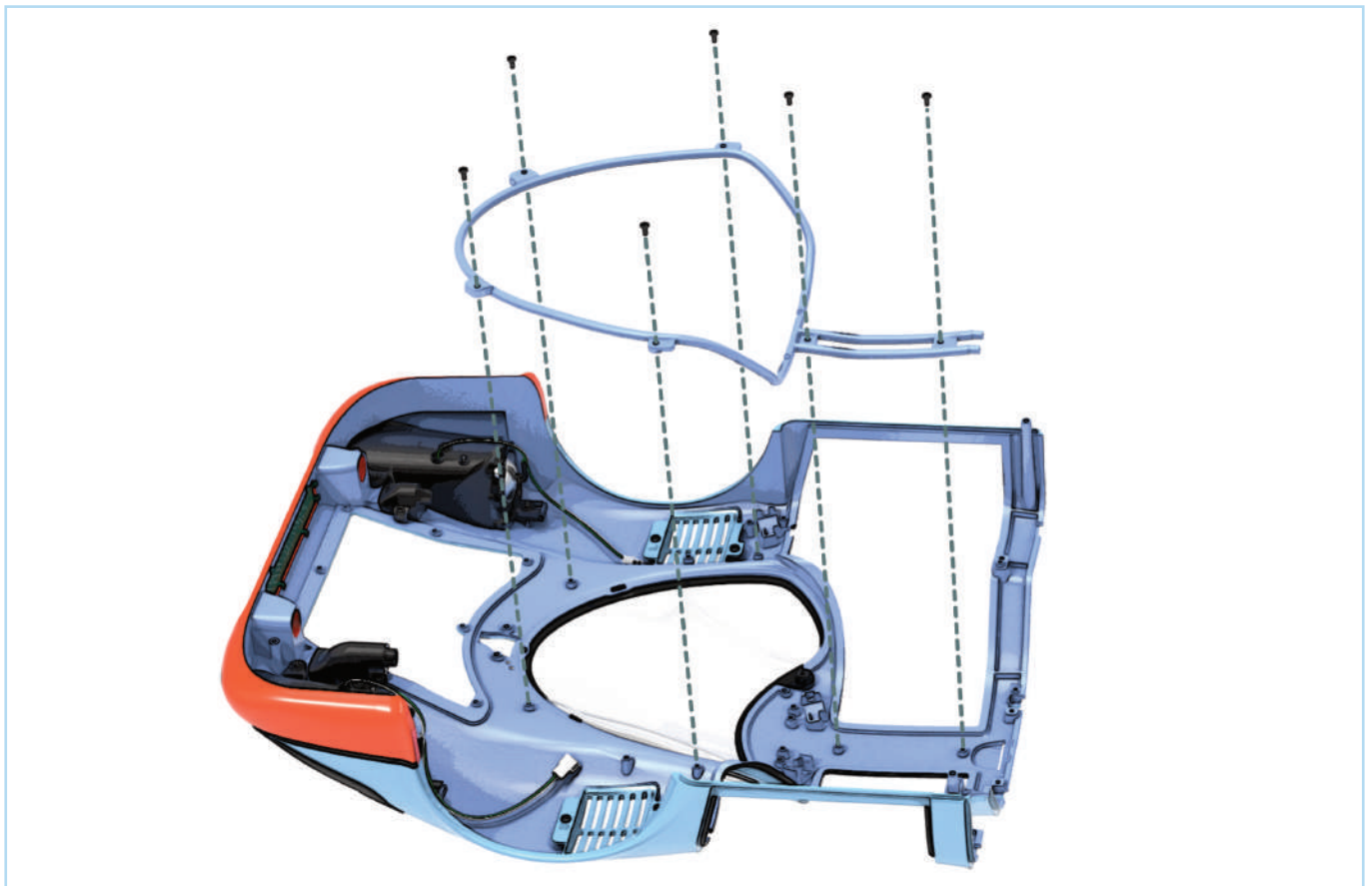
STAGE 84: ATTACHING THE TOP ROLL CAGE

84A Top roll cage

IM Screw 1.7 x 3.5 mm (x8)

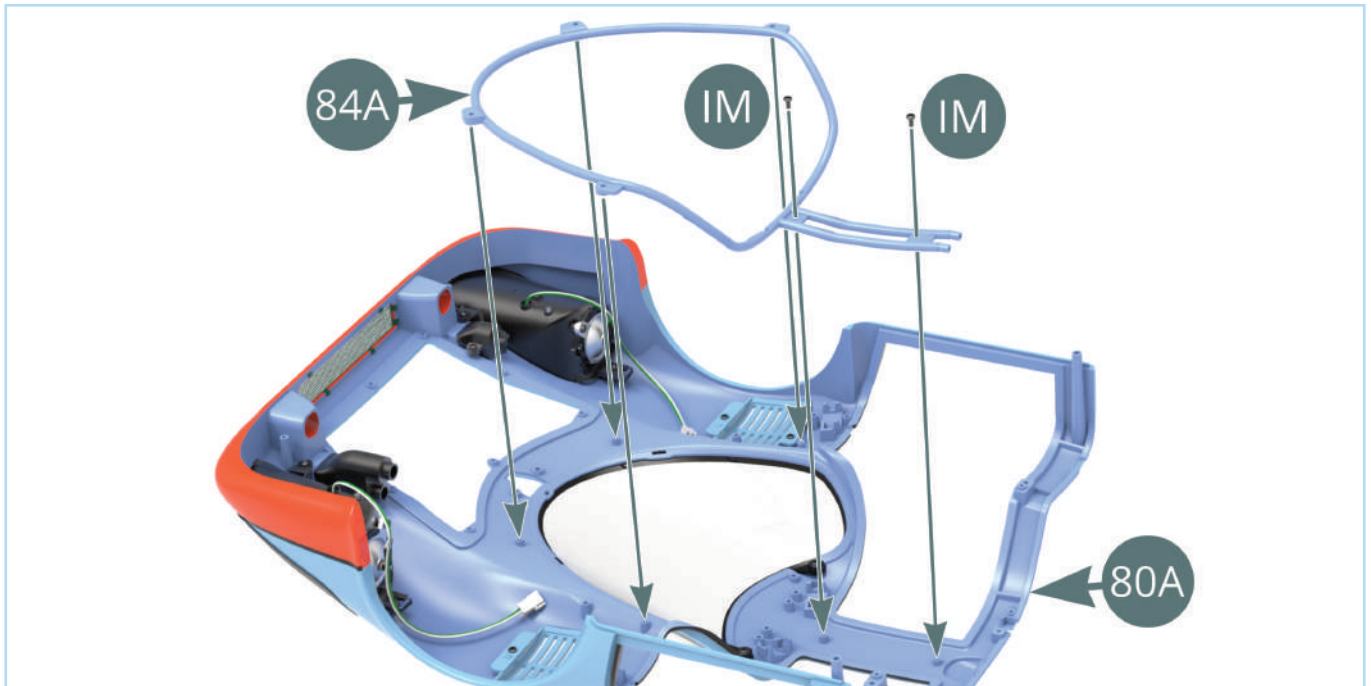


ASSEMBLY DIAGRAM



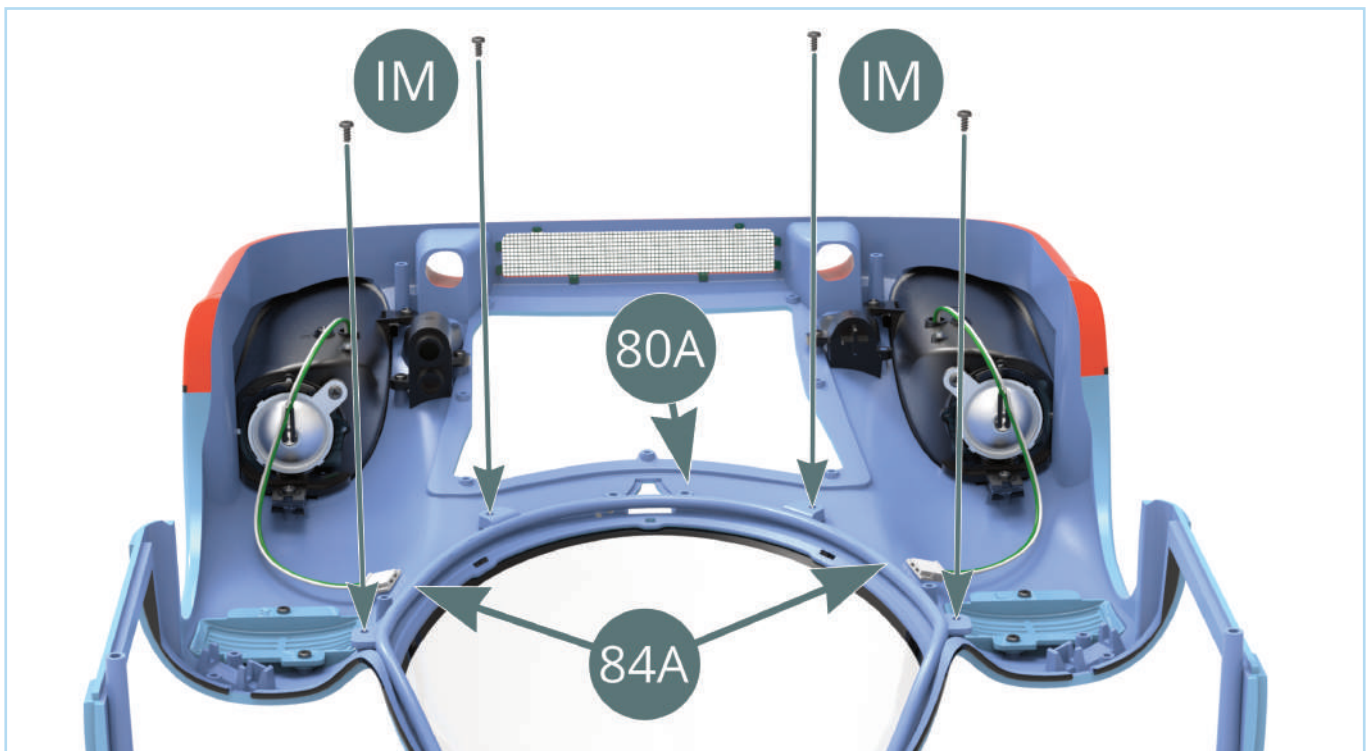
STAGE 84: ATTACHING THE TOP ROLL CAGE

STEP 1



Place the **front body (80A)** upside down on your work surface. Fit the **top roll cage (84A)** in place as shown by the green arrows. Secure the rear of the roll cage using two **IM** screws.

STEP 2



Take four **IM** screws and secure the front section of the **top roll cage (84A)** in place.

STAGE 84: ATTACHING THE TOP ROLL CAGE

STAGE COMPLETE



STAGE 85: ASSEMBLING THE REAR VIEW MIRROR AND ATTACHMENTS FOR THE FRONT BODY

85A Air scoop

85B Windscreen wiper

85C Rear view mirror housing

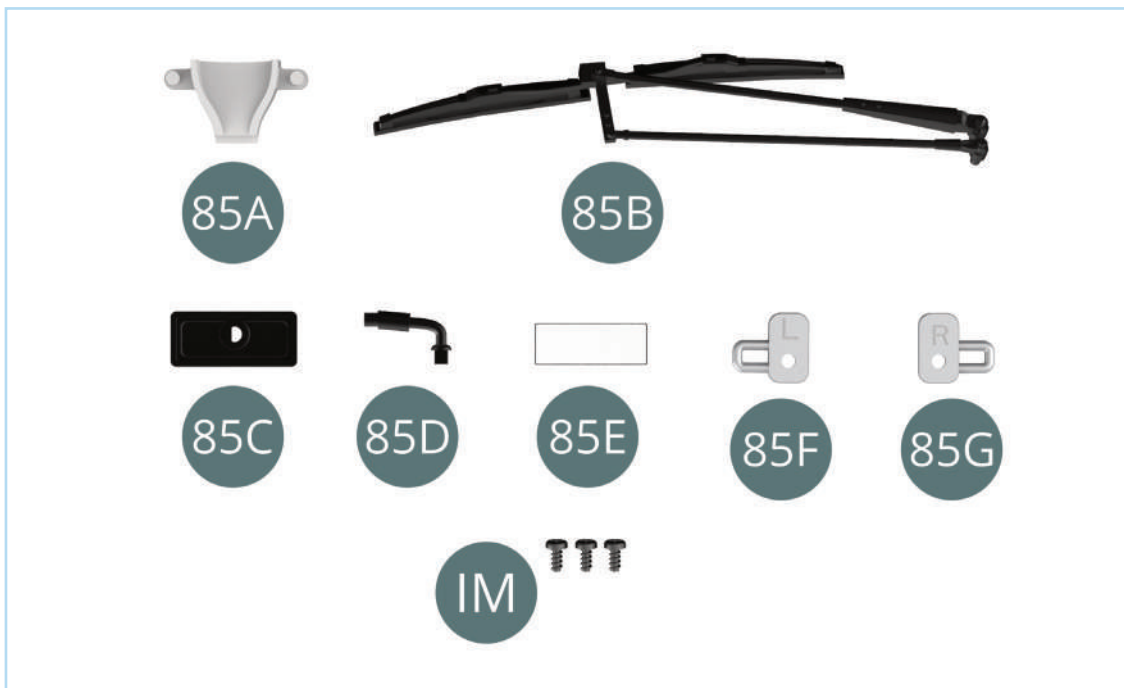
85D Rear view mirror bracket

85E Rear view mirror

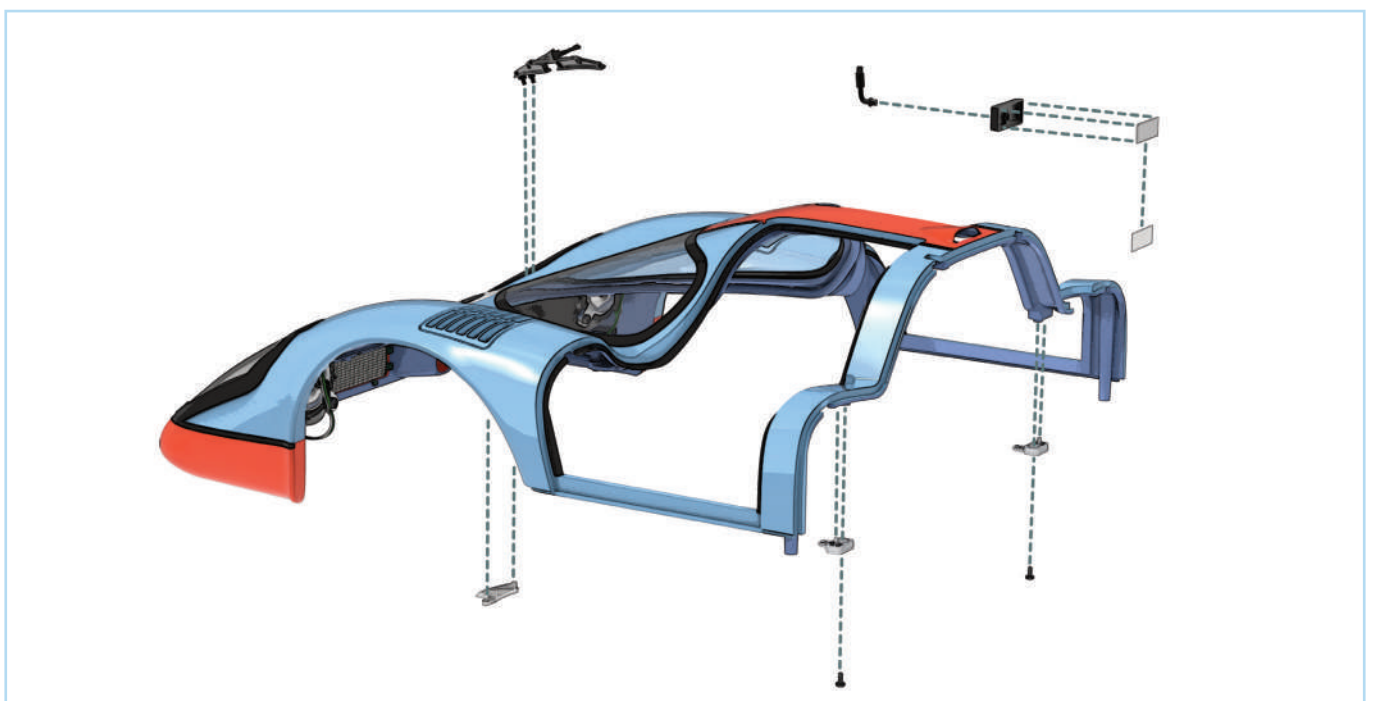
85F Left door lock

85G Right door lock

IM Screw 1.7 x 3.5 mm (x3)



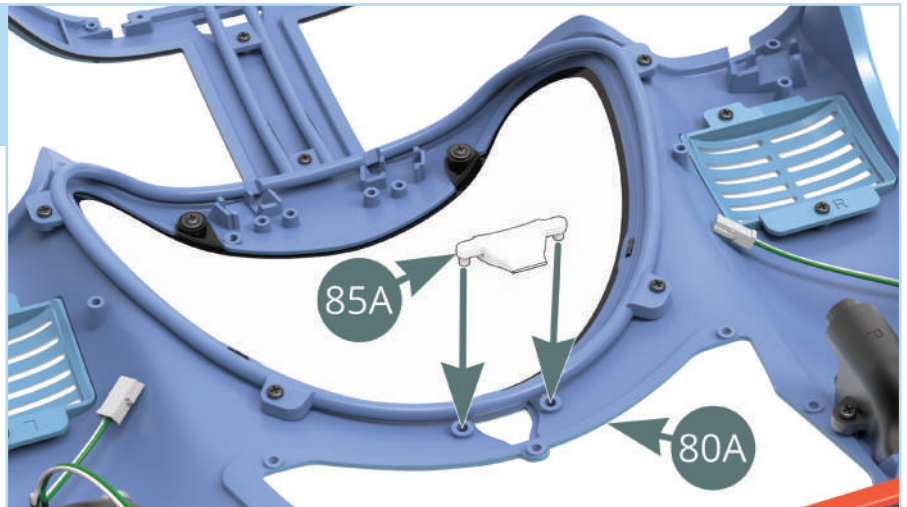
ASSEMBLY DIAGRAM



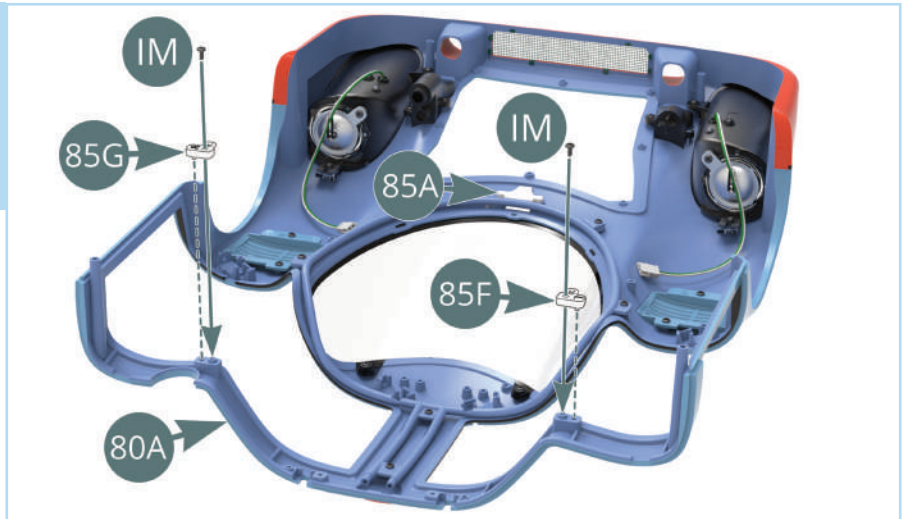
STAGE 85: ASSEMBLING THE REAR VIEW MIRROR AND ATTACHMENTS FOR THE FRONT BODY

STEP 1

Attach the **air scoop (85A)** to the underside of the **front body (80A)** as shown.



Fit the **left and right door locks (85F and 85G)** (marked 'L' and 'R') into the **front body (80A)** and secure them in place using two **IM** screws.



The air scoop and door locks have been attached to the front body.



STAGE 85: ASSEMBLING THE REAR VIEW MIRROR AND ATTACHMENTS FOR THE FRONT BODY

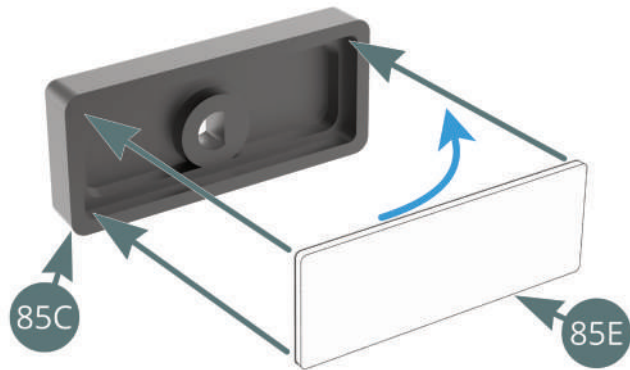
Take the **windscreen wiper (85B)** and fit it into the **front body (80A)** by pressing its pins into the two holes which were punctured in the decal.

Take care not to damage the decal while fitting the wiper – you may wish to file the pins slightly to get the best fit.

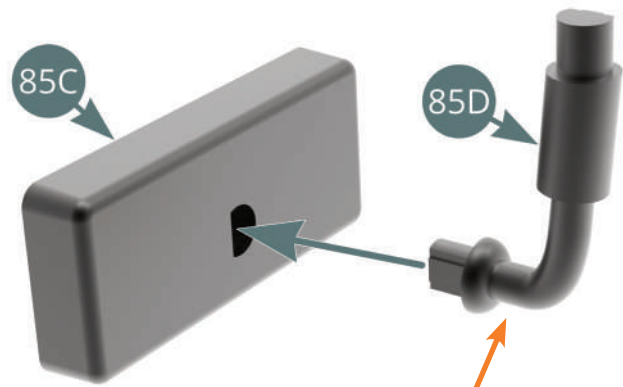


STEP 2

Peel away the backing paper from the **rear view mirror (85E)** as shown by the blue arrow, then stick it into the **rear view mirror housing (85C)**.



Fit the **rear view mirror bracket (85D)** into the shaped hole on the back of the **rear view mirror housing (85C)**. Note that the shorter end (orange arrow) fits into the housing.



The rear view mirror has been assembled. This can be stored away safely until it is fitted in Stage 87.

STAGE 85: ASSEMBLING THE REAR VIEW MIRROR AND ATTACHMENTS FOR THE FRONT BODY

STAGE COMPLETE



STAGE 86: BUILDING AND FITTING THE LEFT DOOR LOCK

86A Lower hinge

86B Upper hinge

86C Door light

86D Lock

86E Long pin

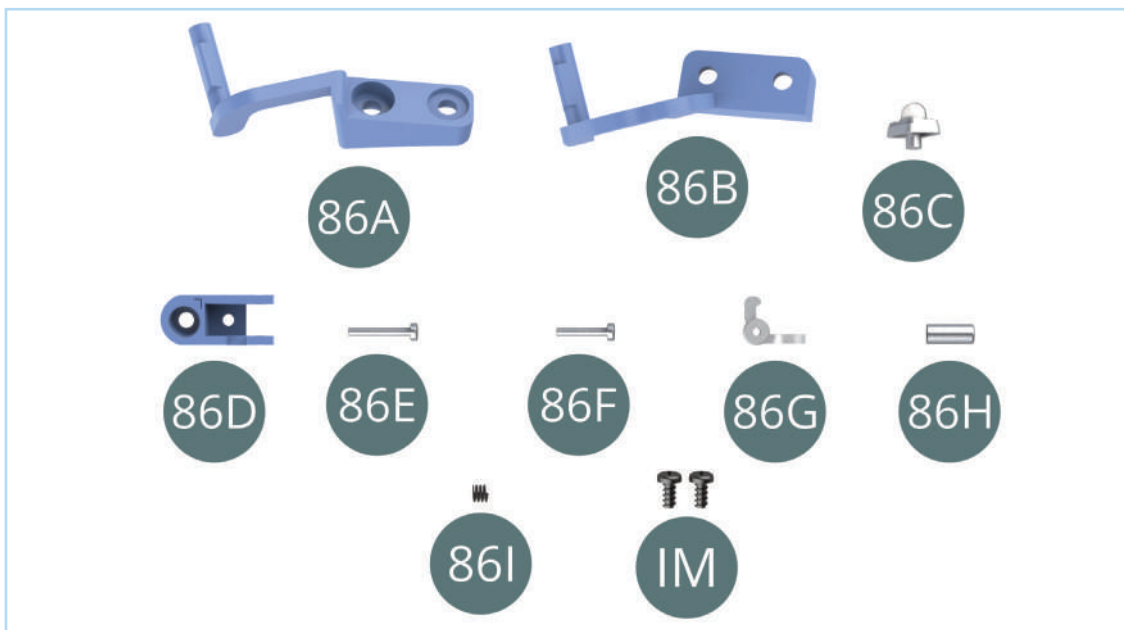
86F Short pin

86G Latch

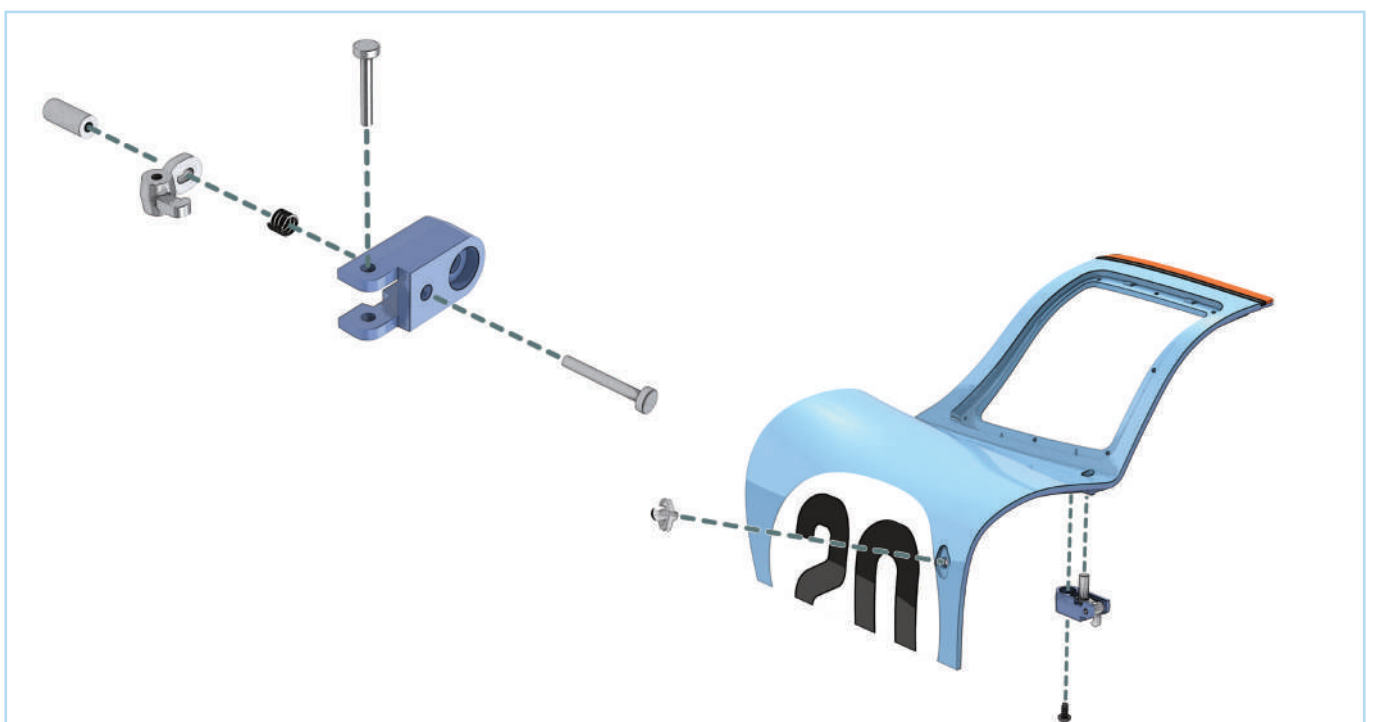
86H Lock release

86I Spring

IM Screw 1.7 x 3.5 mm (x2)



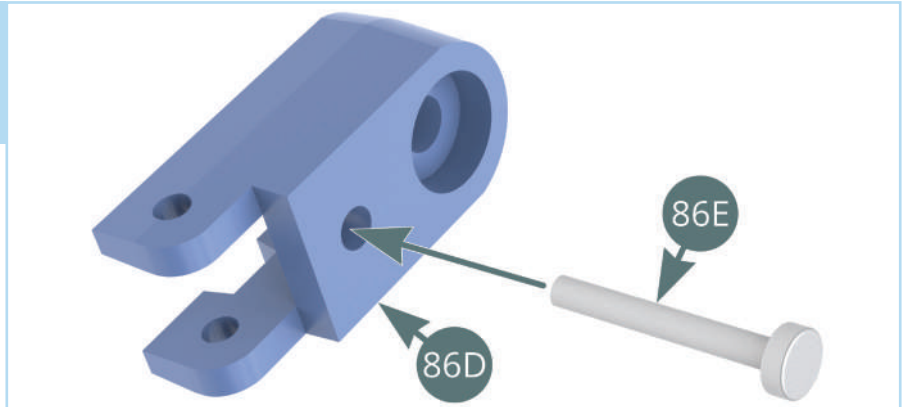
ASSEMBLY DIAGRAM



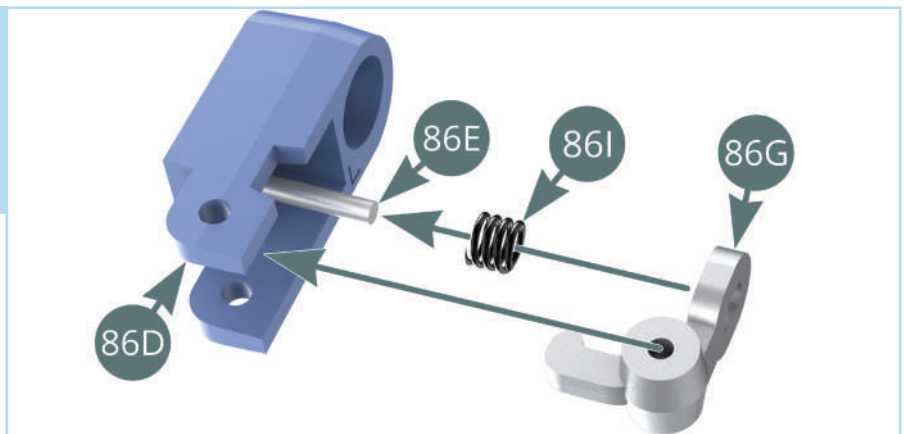
STAGE 86: BUILDING AND FITTING THE LEFT DOOR LOCK

STEP 1

Take the **long pin (86E)** and insert it into the hole in the **lock (86D)** as shown.

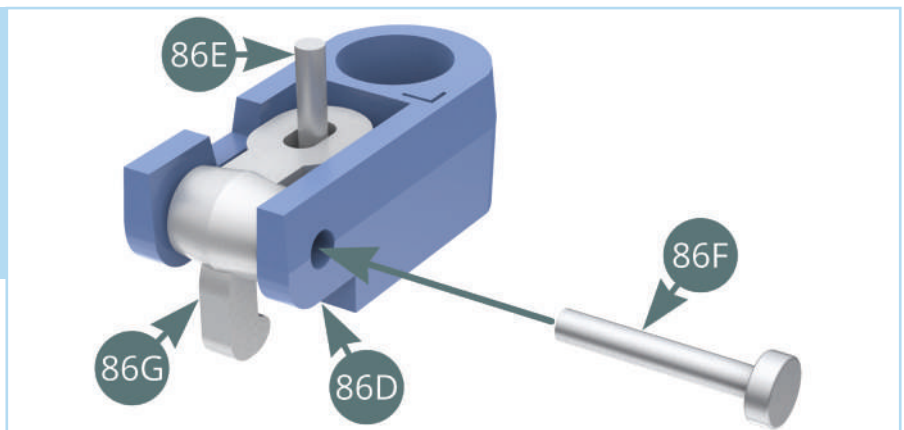


Turn the assembly around and place the **spring (86I)** over the **long pin (86E)** then align the **latch (86G)** with the **lock (86D)** and fit it in place.

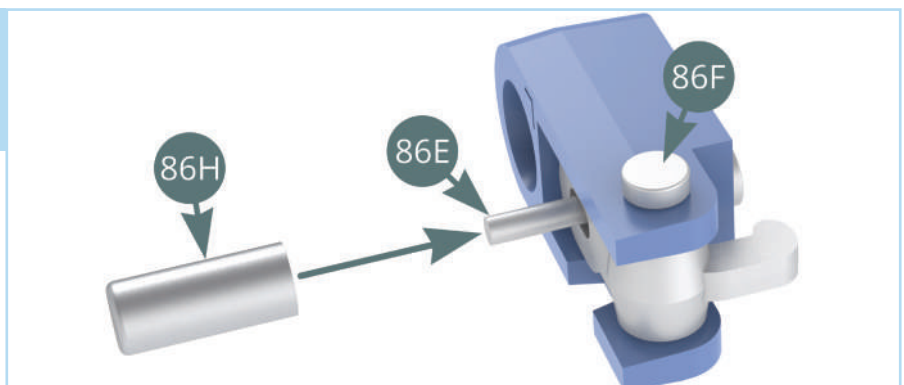


STEP 2

Align the holes of the **lock (86D)** and **latch (86G)** then insert the **short pin (86F)** into the holes in the orientation shown. Press the pin against a hard surface to ensure it is fully inserted in the lock.

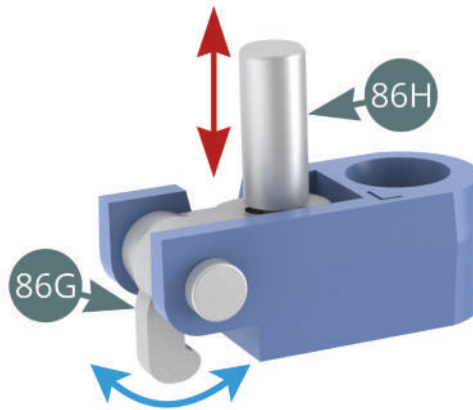


Push the **lock release (86H)** over the protruding end of the **long pin (86E)**.



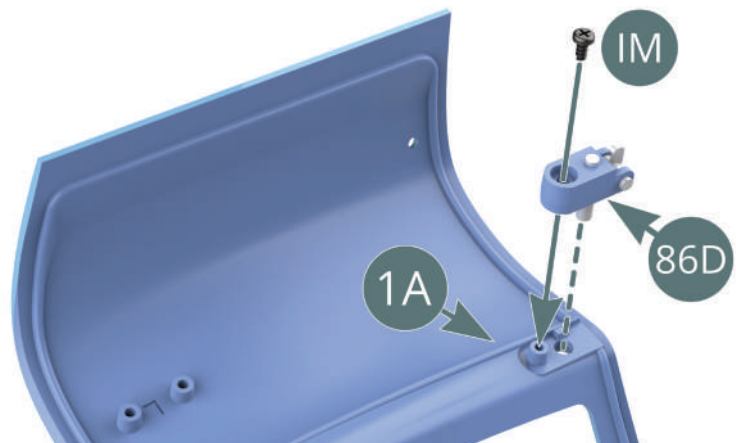
STAGE 86: BUILDING AND FITTING THE LEFT DOOR LOCK

Push the **lock release (86H)** as shown by the red arrow to test the rocking motion of the **latch (86G)** (blue arrow).

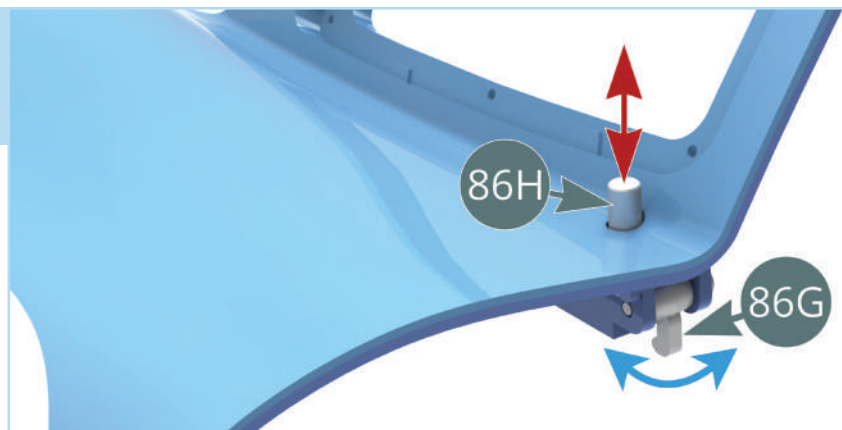


STEP 3

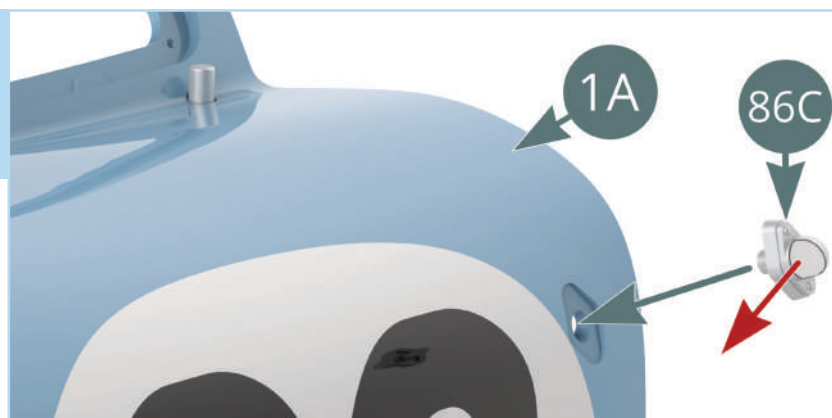
Fit the hole in the **lock (86D)** over the raised screw hole of the **left door (1A)** and fasten with an **IM** screw.



Press the **lock release (86H)** again to test the rocking motion of the **latch (86G)**.



Push the **door light (86C)** into the **left door (1A)**, ensuring the bulb is oriented in the direction shown by the red arrow.



STAGE 86: BUILDING AND FITTING THE LEFT DOOR LOCK

STAGE COMPLETE



STAGE 87: ATTACHING THE LEFT DOOR AND THE REAR VIEW MIRROR

87A Window

87B Vent window

87C Clamp

87D Spring

87E Clamp

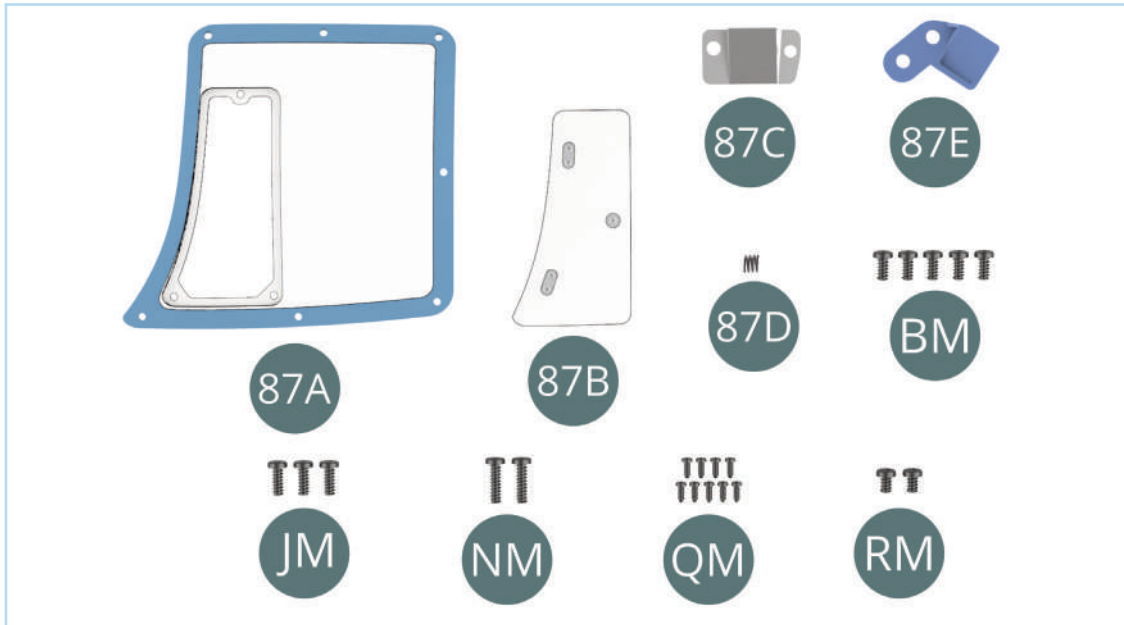
BM Screw 2.0 x 4 mm (x5)

JM Screw 2.0 x 5 mm (x3)

NM Screw 2.0 x 7 mm (x2)

QM Screw 1.2 x 3 mm (x9)

RM Screw 2.0 x 5 mm (x2)

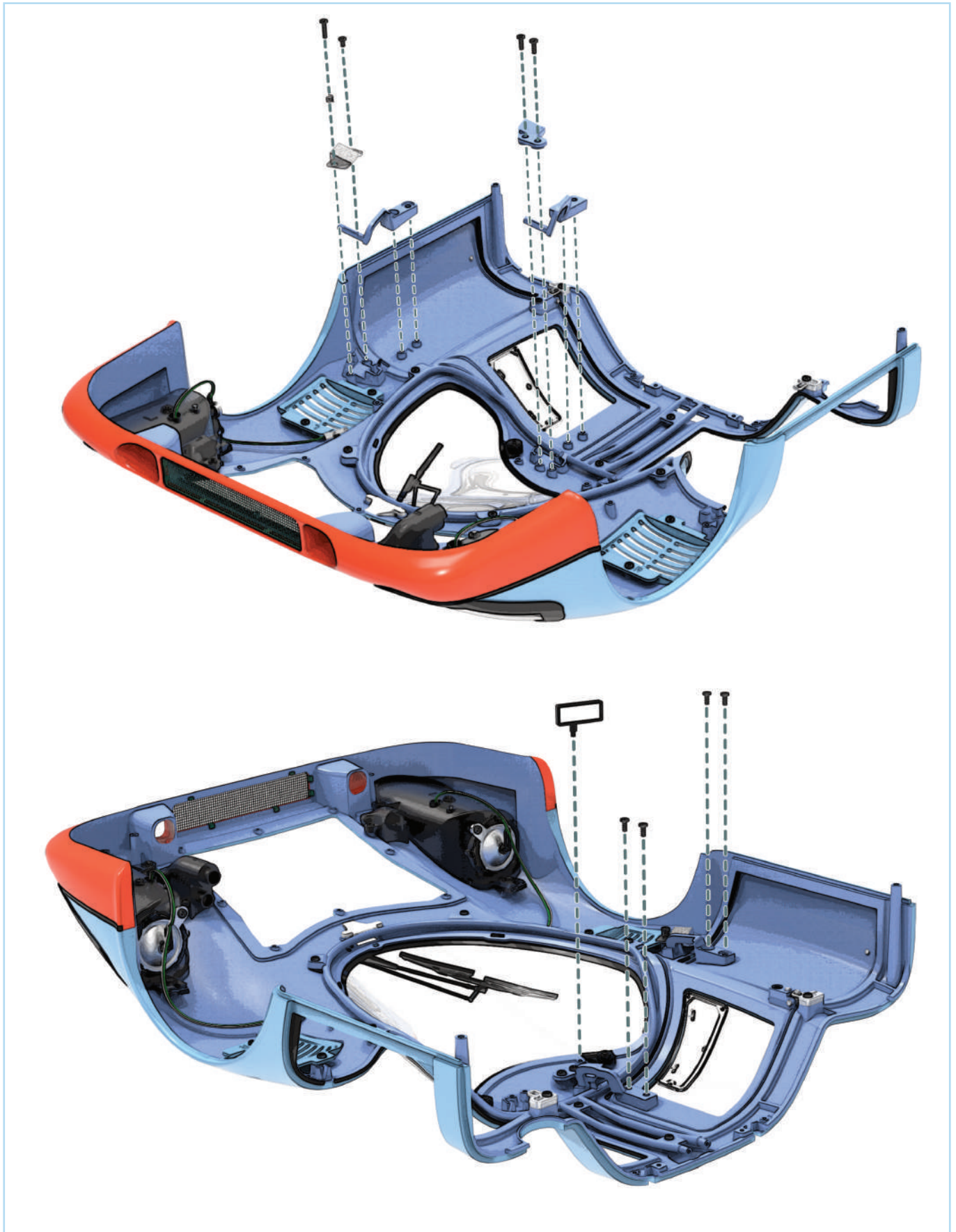


ASSEMBLY DIAGRAM



STAGE 87: ATTACHING THE LEFT DOOR AND THE REAR VIEW MIRROR

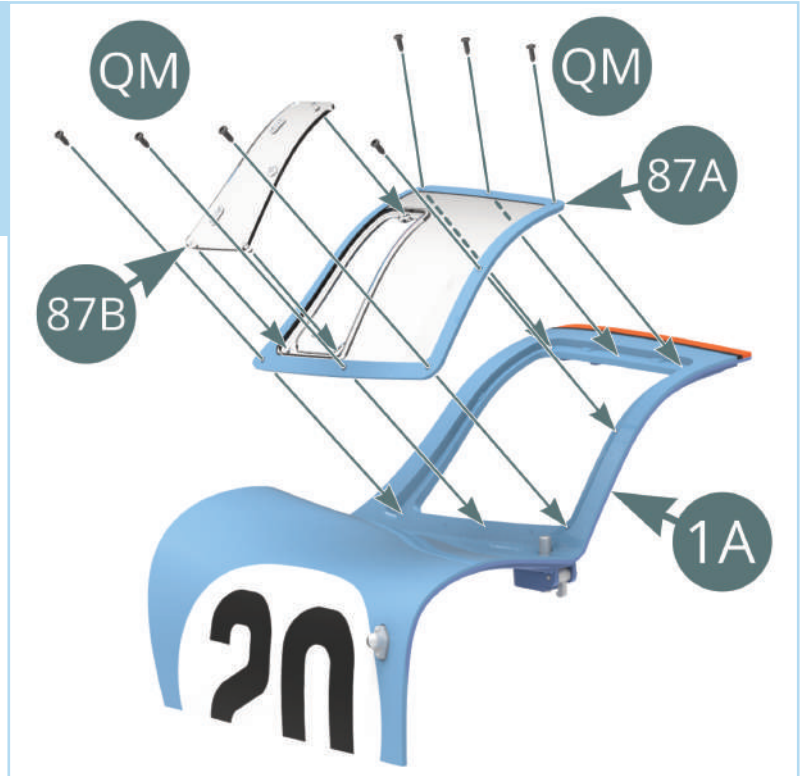
ASSEMBLY DIAGRAM



STAGE 87: ATTACHING THE LEFT DOOR AND THE REAR VIEW MIRROR

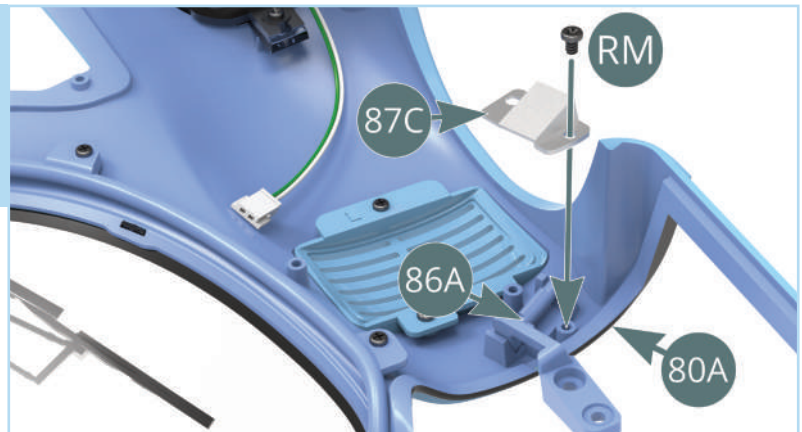
STEP 1

Fit the three pins of the **vent window (87B)** into the corresponding holes in the **window (87A)**. Take the **left door (1A)** and position the window into the recess as shown, then fasten in place using seven **QM** screws.

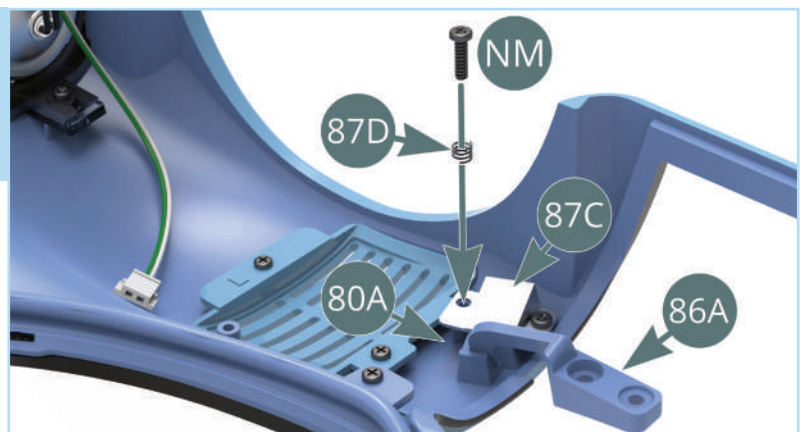


STEP 2

Place the **lower hinge (86A)** into the recess on the inside of the **front body (80A)**. Fit the **clamp (87C)** over it and secure using an **RM** screw in the hole closest to the door space.



Take an **NM** screw and pass it through the **spring (87D)**, then drive it into the hole of the **clamp (87C)** furthest from the door space.

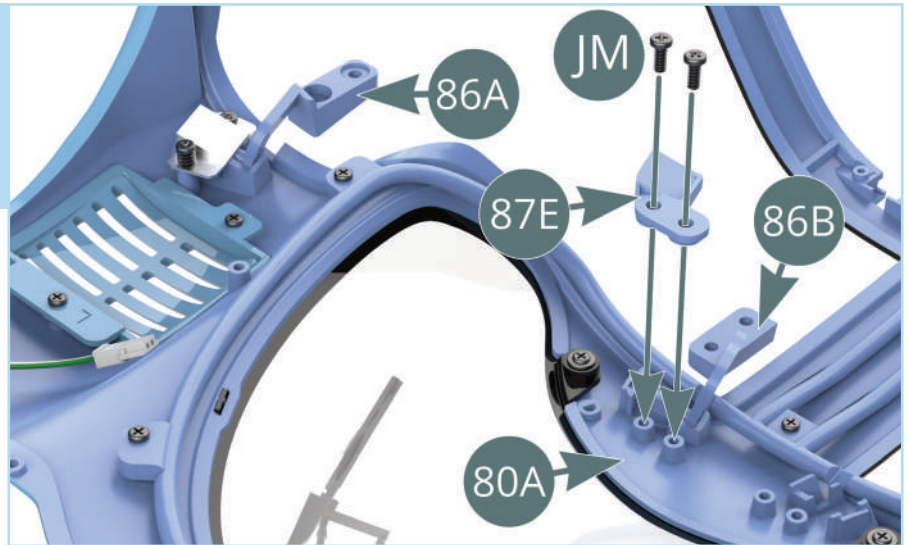


Don't overtighten the **NM** screw, there needs to be enough room for the spring to compress when opening the door. Check by moving the hinge.

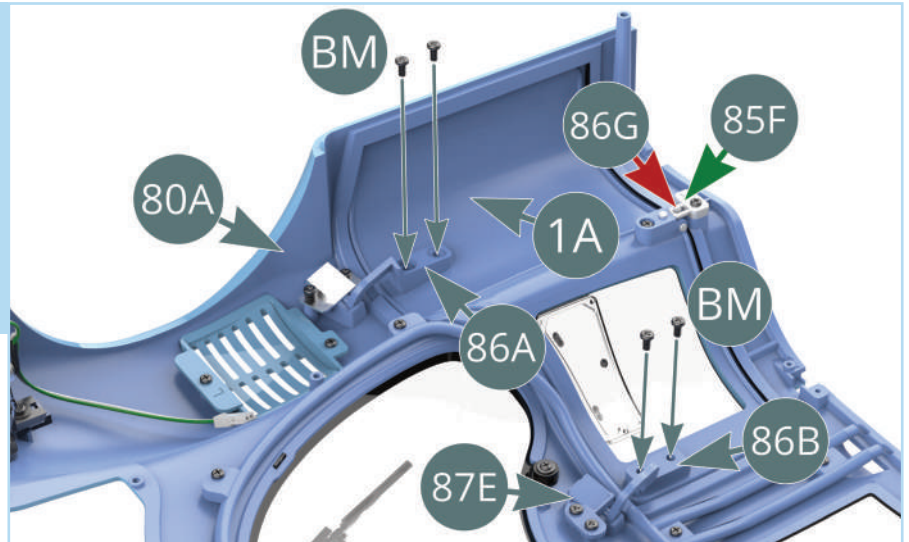
STAGE 87: ATTACHING THE LEFT DOOR AND THE REAR VIEW MIRROR

STEP 3

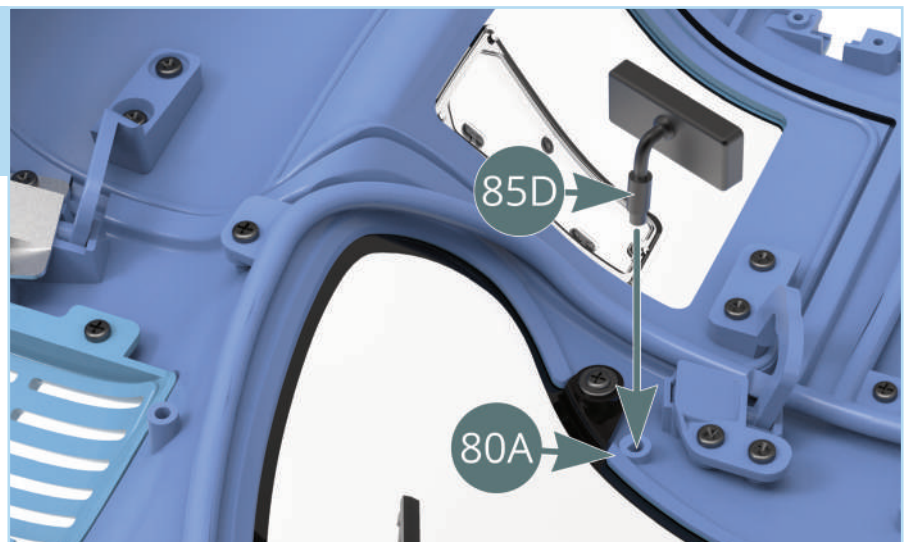
Place the **upper hinge (86B)** into the recess on the inside of the **front body (80A)**. Fit the **clamp (87E)** over it and secure using two **JM** screws.



Keeping the **front body (80A)** upside down, fit the **left door (1A)** in position and engage the **latch (86G)** into the **left door lock (85F)**, as shown by the red and green arrows. Fasten the **lower and upper hinges (86A and 86B)** to the door using four **BM** screws.



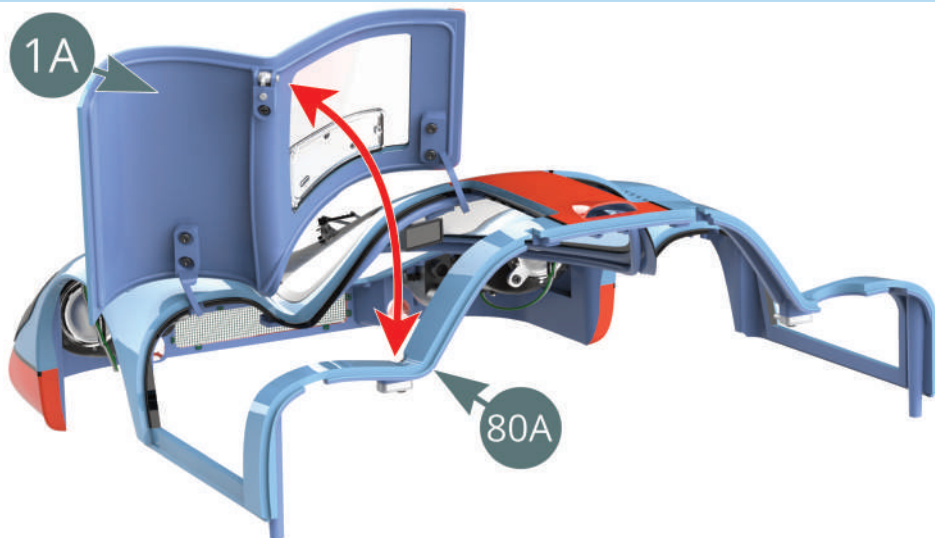
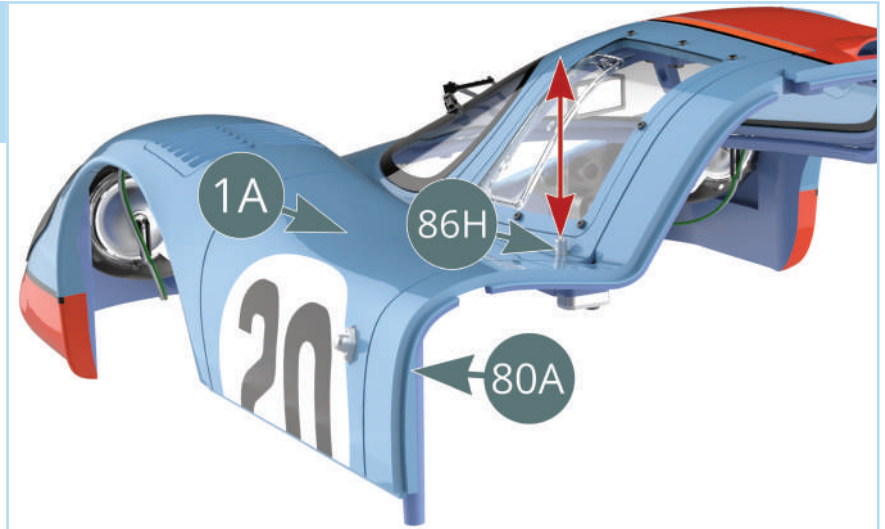
Take the **rear view mirror bracket (85D)** and push it into the shaped hole in the **front body (80A)**.



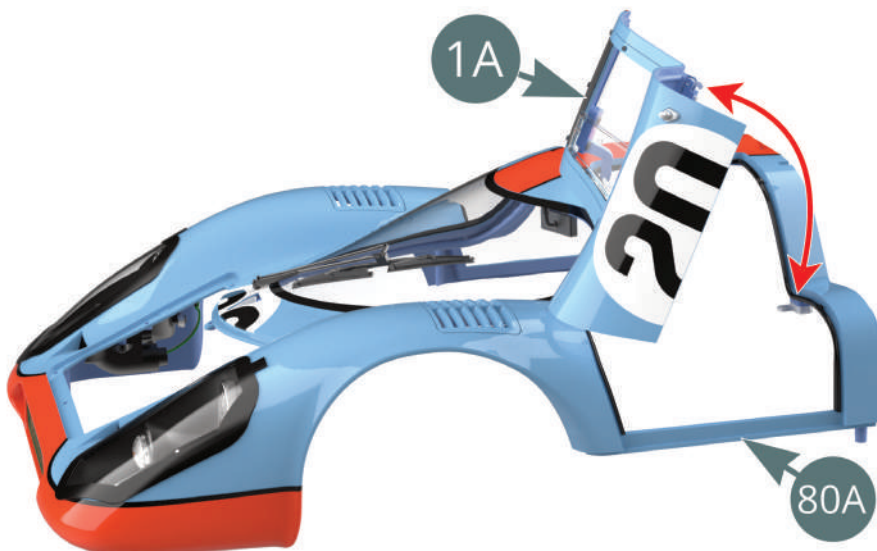
STAGE 87: ATTACHING THE LEFT DOOR AND THE REAR VIEW MIRROR

STEP 4

Push the **lock release (86H)** and check the left door opens as shown in the following images.



The door should hold in place once opened. If it does not, adjust the **NM** screw holding the clamp fitted in Step 2.



STAGE 87: ATTACHING THE LEFT DOOR AND THE REAR VIEW MIRROR

STAGE COMPLETE

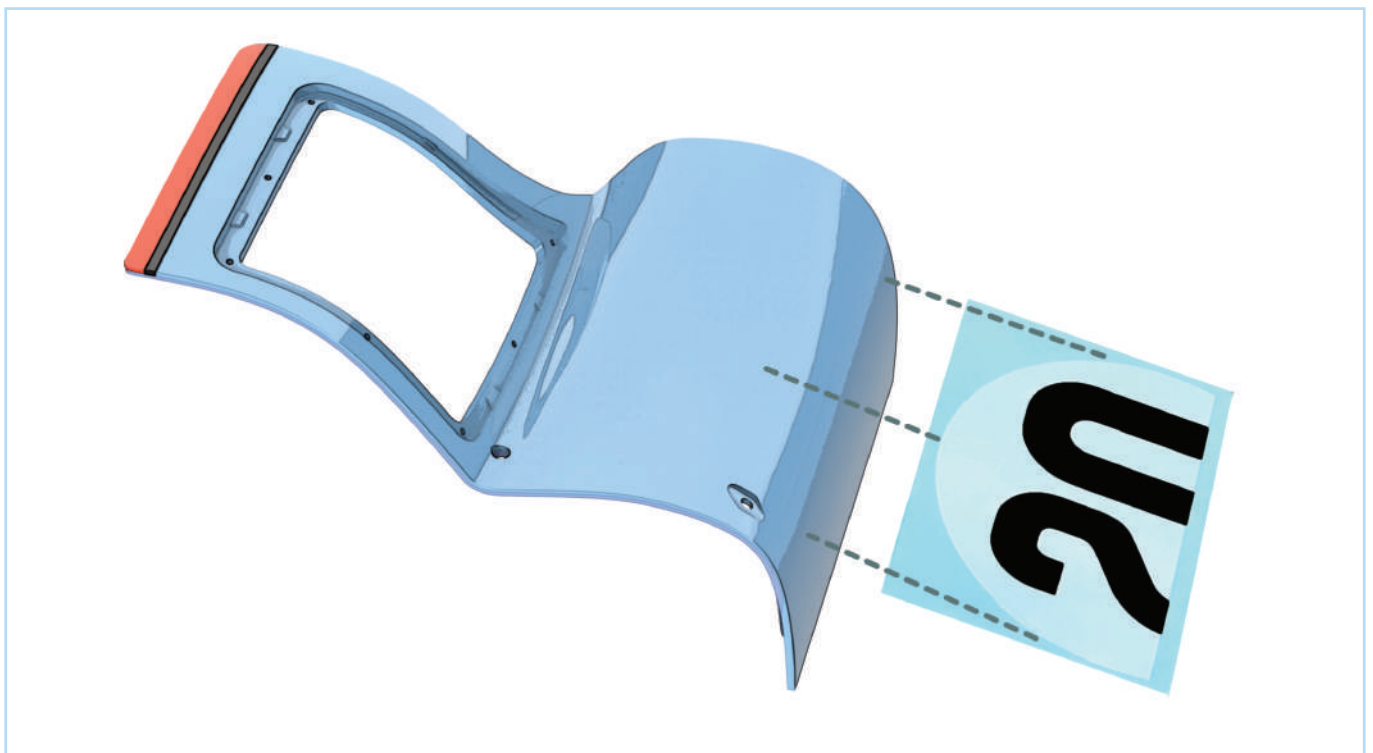


STAGE 88: APPLYING THE DECAL TO THE RIGHT DOOR

- 88A** Right door
- 88B** Lower hinge
- 88C** Upper hinge
- 88D** Decal (x2)

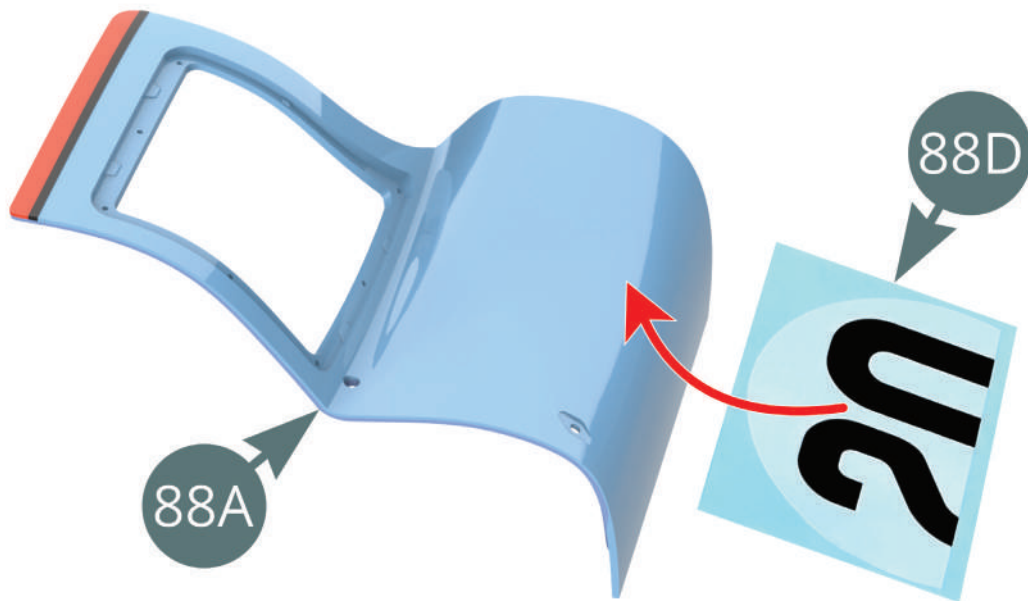


ASSEMBLY DIAGRAM



STAGE 88: APPLYING THE DECAL TO THE RIGHT DOOR

STEP 1



Take the **decal (88D)** and place it in water for about 60 seconds. Check that the area on the door for applying the decal is free from any dust. Remove from the water and align it with the **right door (88A)** as shown, then slide the decal onto the door as shown by the red arrow. Apply the decal centrally to the bottom of the door, using the image below as a reference.



To get a smooth finish, gently push the bottom of the decal off the backing paper then align it with the bottom edge of the door (orange arrows). Press the bottom down, then slowly lift the backing paper up and away. As you do so, use a cloth or brush to apply the decal over the door. Once it is in place and still wet, carefully smooth out any air pockets by using the cloth or brush.

STAGE 88: APPLYING THE DECAL TO THE RIGHT DOOR

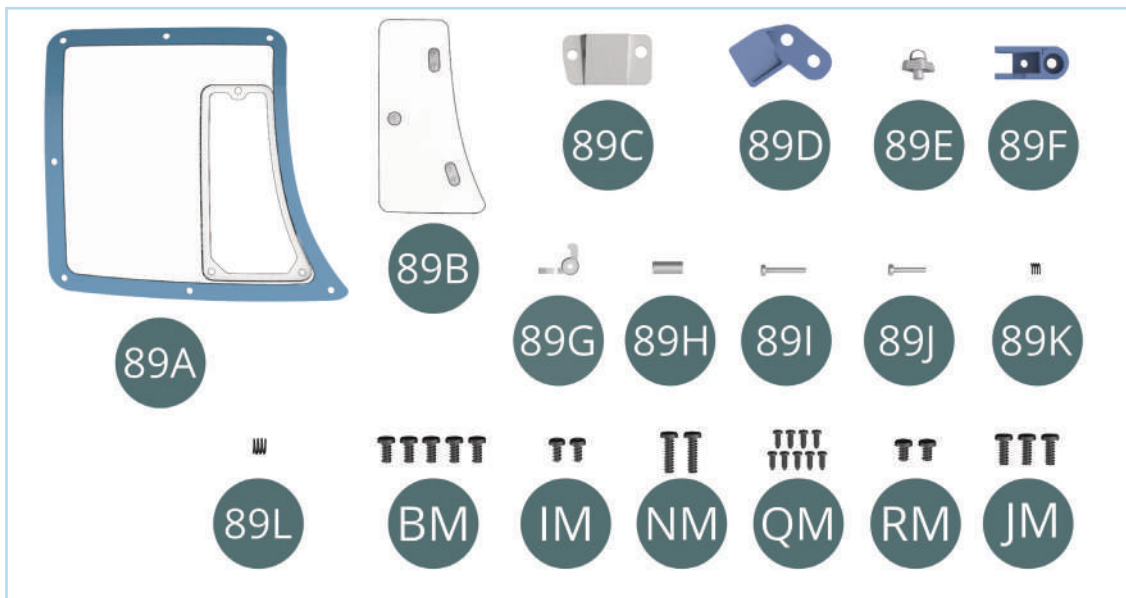
STAGE COMPLETE



STAGE 89: ASSEMBLING AND ATTACHING THE RIGHT DOOR

- 89A** Window
- 89B** Vent window
- 89C** Clamp
- 89D** Clamp
- 89E** Door light
- 89F** Lock
- 89G** Latch
- 89H** Lock release
- 89I** Long pin
- 89J** Short pin

- 89K** Small spring
- 89L** Large spring
- BM** Screw 2.0 x 4 mm (x5)
- IM** Screw 1.7 x 3.5 mm (x2)
- NM** Screw 2.0 x 7 mm (x2)
- QM** Screw 1.2 x 3 mm (x9)
- RM** Screw 2.0 x 3 mm (x2)
- JM** Screw 2.0 x 5 mm (x3)

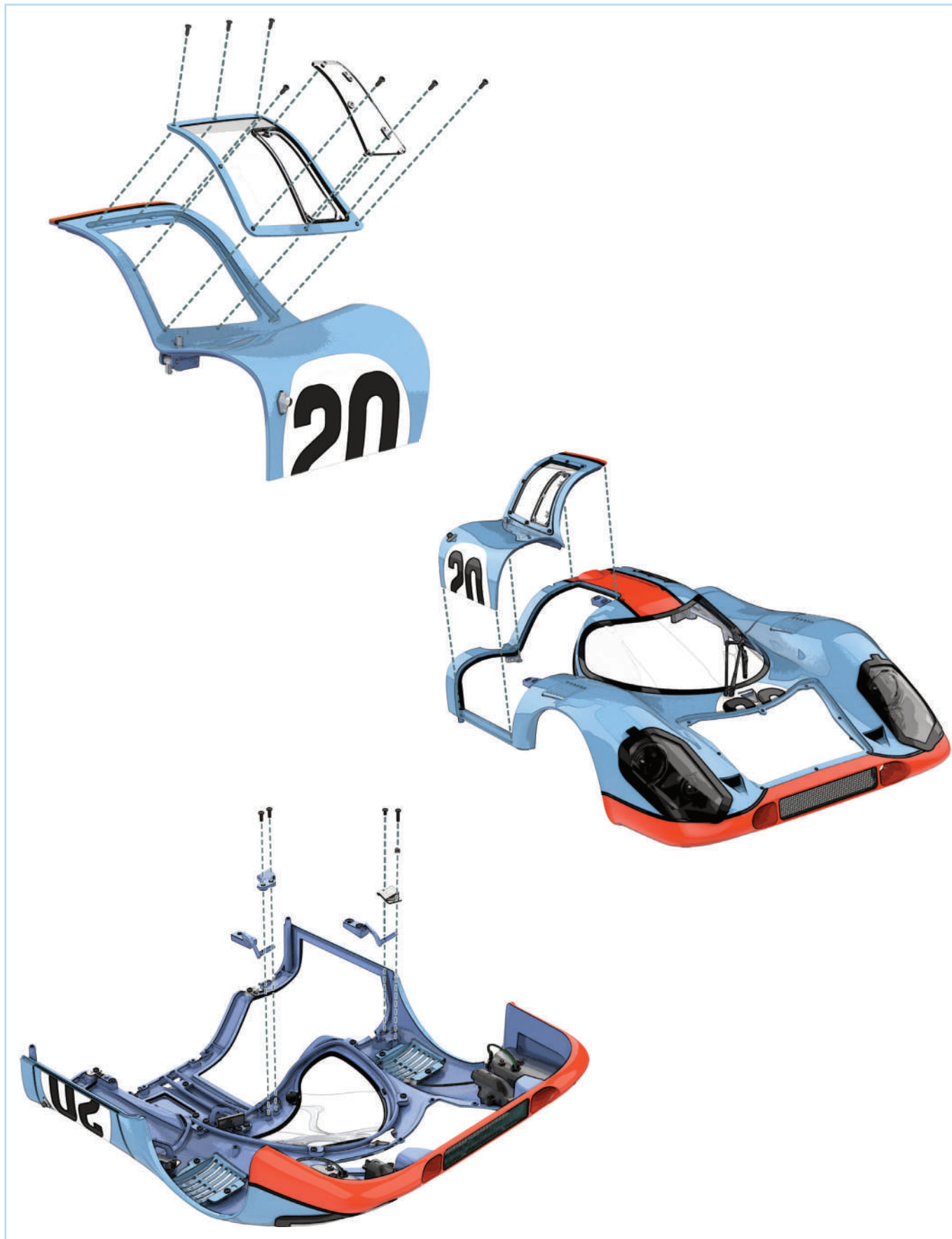


ASSEMBLY DIAGRAM



STAGE 89: ASSEMBLING AND ATTACHING THE RIGHT DOOR

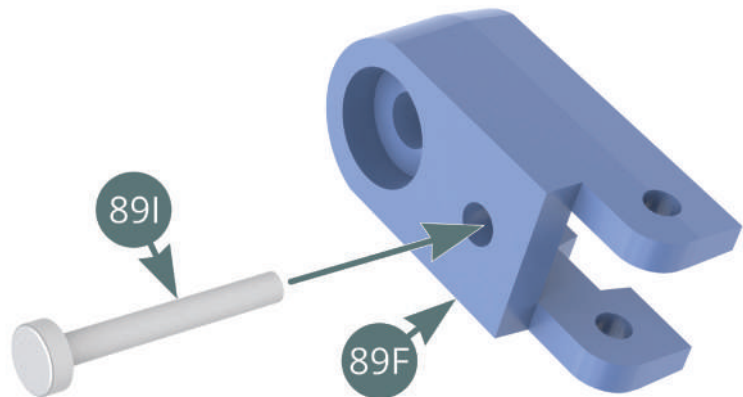
ASSEMBLY DIAGRAM



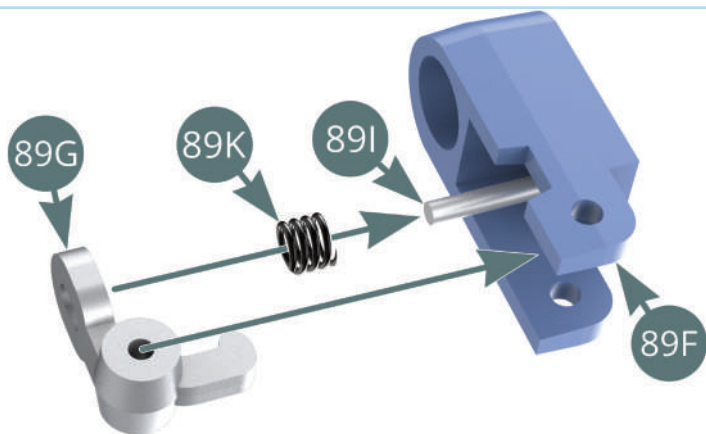
STAGE 89: ASSEMBLING AND ATTACHING THE RIGHT DOOR

STEP 1

Take the **long pin (89I)** and insert it into the hole in the **lock (89F)** as shown.

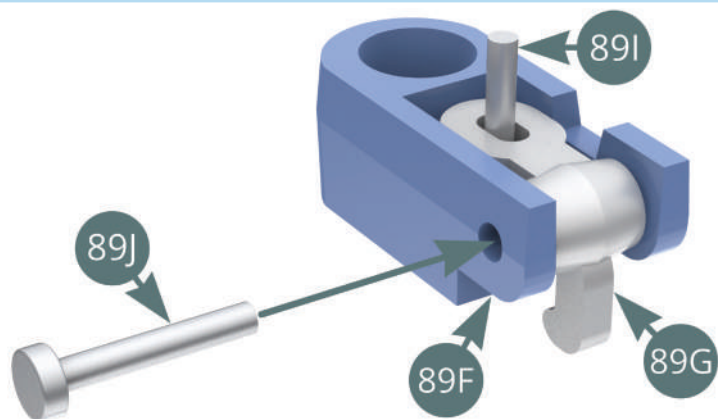


Turn the assembly around and place the **small spring (89K)** over the **long pin (89I)** then align the **latch (89G)** with the **lock (89F)** and fit it in place.

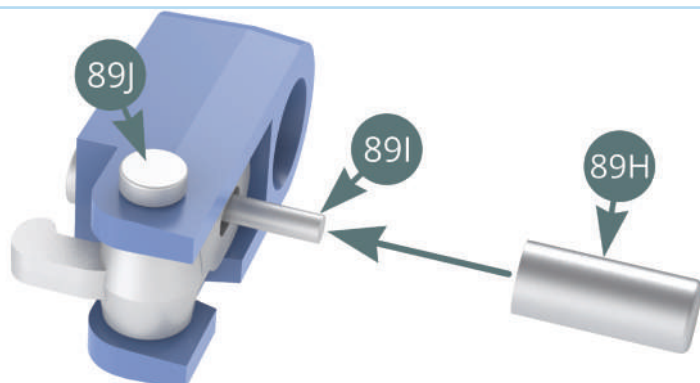


STEP 2

Align the holes of the **lock (89F)** and **latch (89G)** then insert the **short pin (89J)** into the holes in the orientation shown. Press the pin against a hard surface to ensure it is fully inserted in the lock.

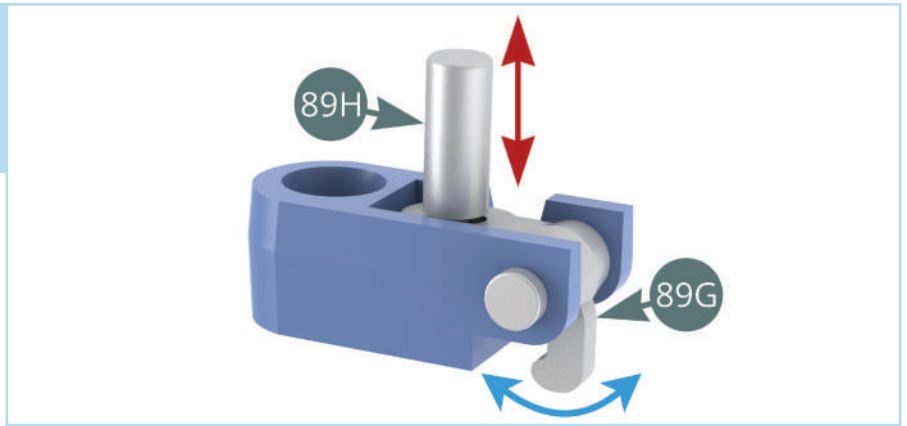


Push the **lock release (89H)** over the protruding end of the **long pin (89I)**.



STAGE 89: ASSEMBLING AND ATTACHING THE RIGHT DOOR

Push the **lock release (89H)** as shown by the red arrow to test the rocking motion of the **latch (89G)** (blue arrow).

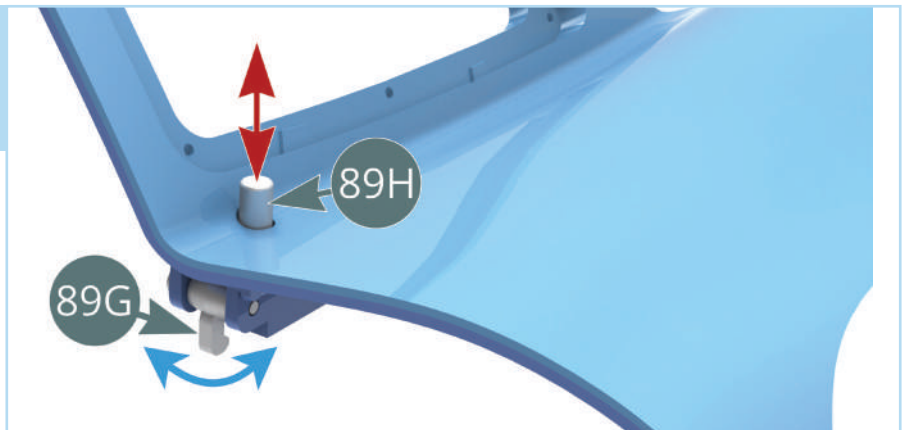


STEP 3

Fit the hole in the **lock (89F)** over the raised screw hole of the **right door (88A)** and fasten with an **IM screw**.



Press the **lock release (89H)** again to test the rocking motion of the **latch (89G)**.



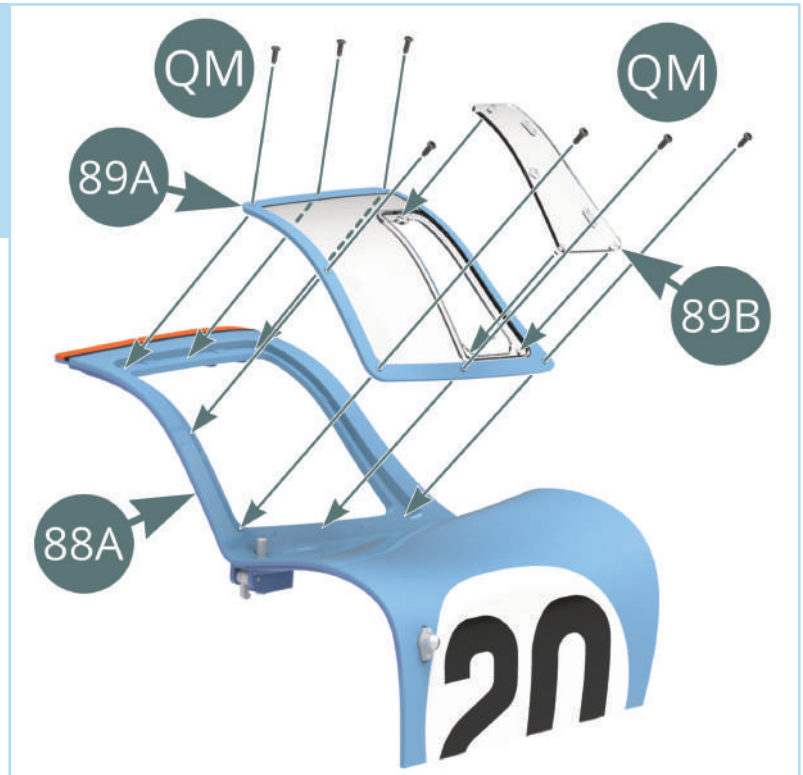
Push the **door light (89E)** into the **right door (88A)**, ensuring the bulb is oriented as shown by the red arrow.



STAGE 89: ASSEMBLING AND ATTACHING THE RIGHT DOOR

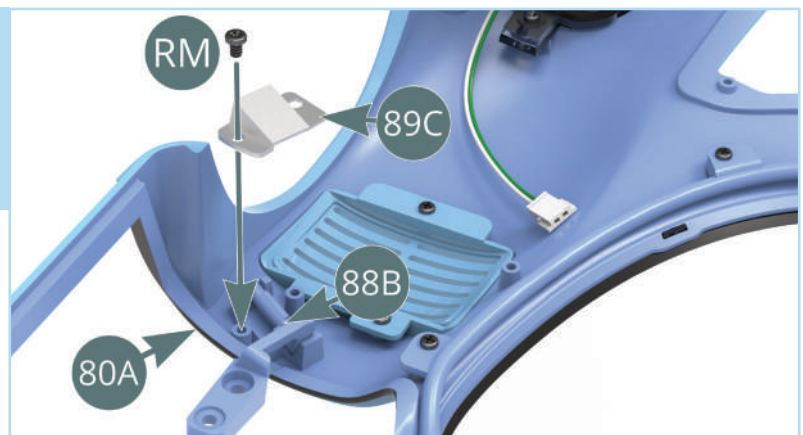
STEP 4

Fit the three pins of the **vent window (89B)** into the corresponding holes in the **window (89A)**. Take the **right door (88A)** and position the window into the recess as shown, then fasten in place using seven **QM** screws.



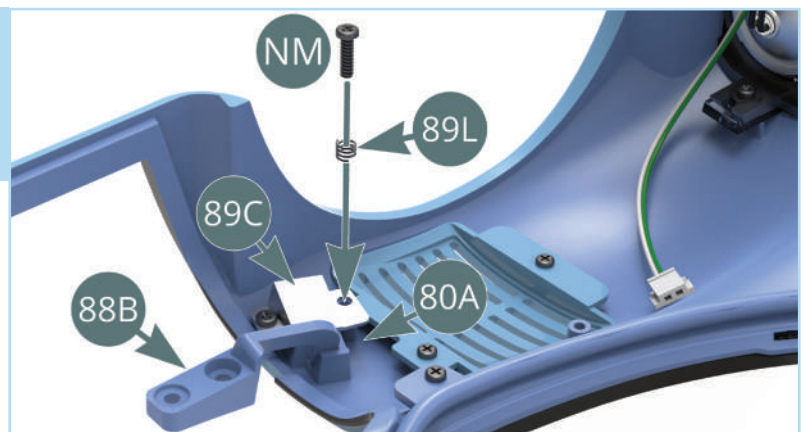
STEP 5

Place the **lower hinge (88B)** into the recess on the inside of the **front body (80A)**. Fit the **clamp (89C)** over it and secure using an **RM** screw in the hole closest to the door space.



Take an **NM** screw and pass it through the **large spring (89L)**, then drive it into the hole of the **clamp (89C)** furthest from the door space.

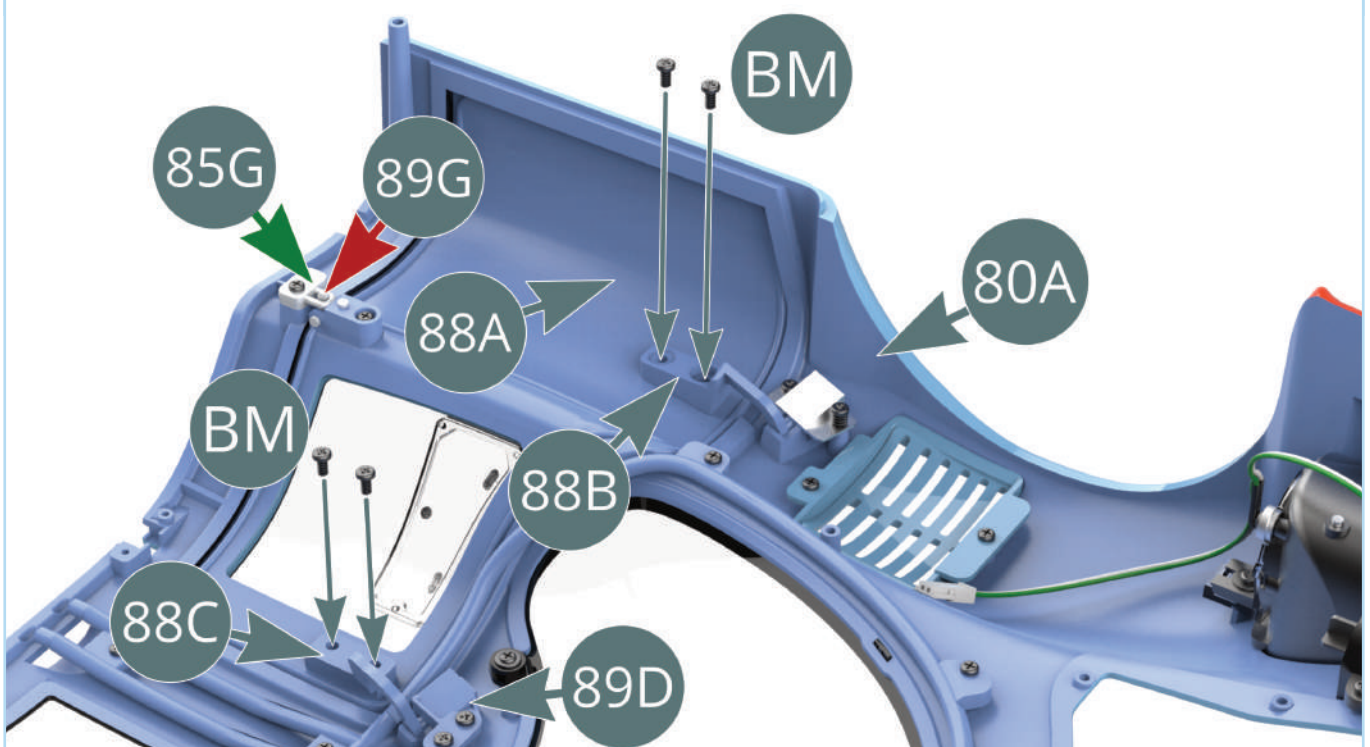
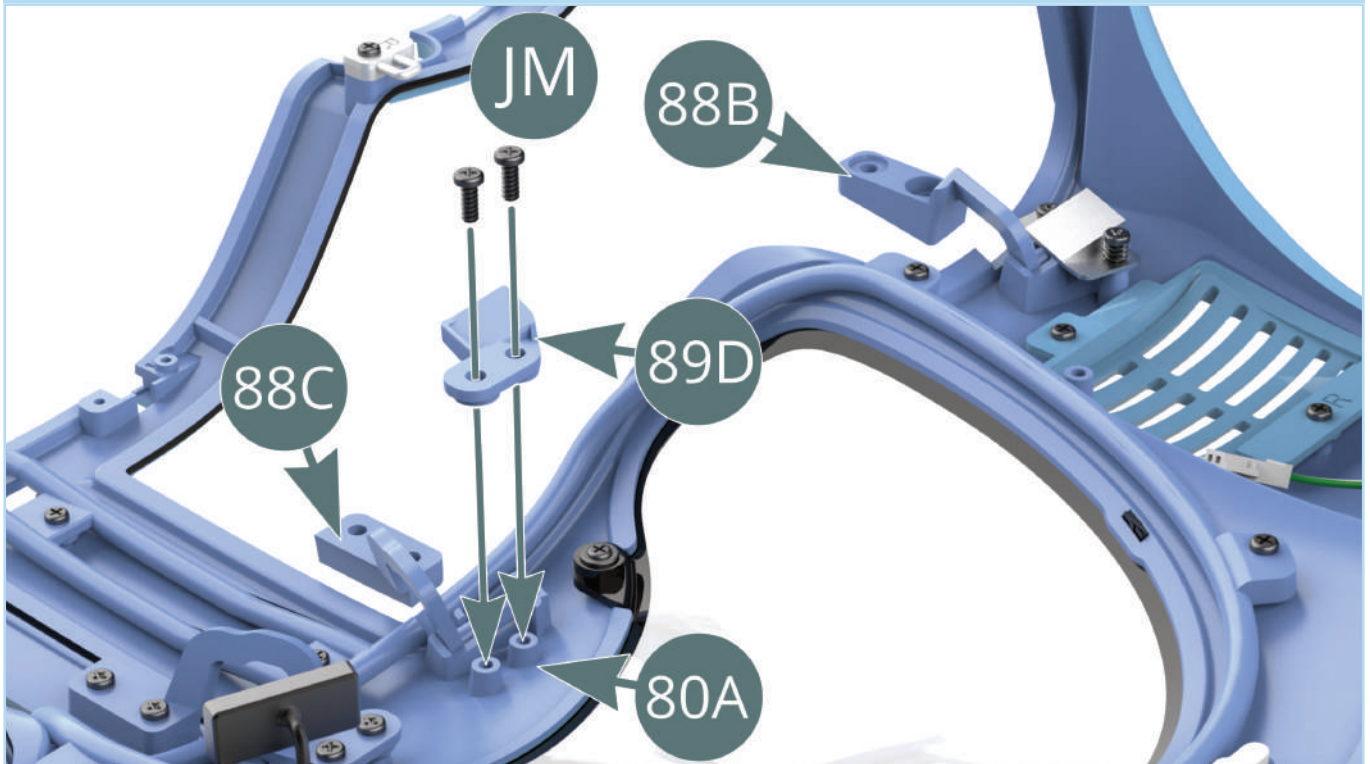
Don't overtighten the **NM** screw, there needs to be enough room for the spring to compress when opening the door. Check by moving the hinge.



STAGE 89: ASSEMBLING AND ATTACHING THE RIGHT DOOR

STEP 6

Place the **upper hinge (88C)** into the recess on the inside of the **front body (80A)**. Fit the **clamp (89D)** over it and secure using two **JM** screws.

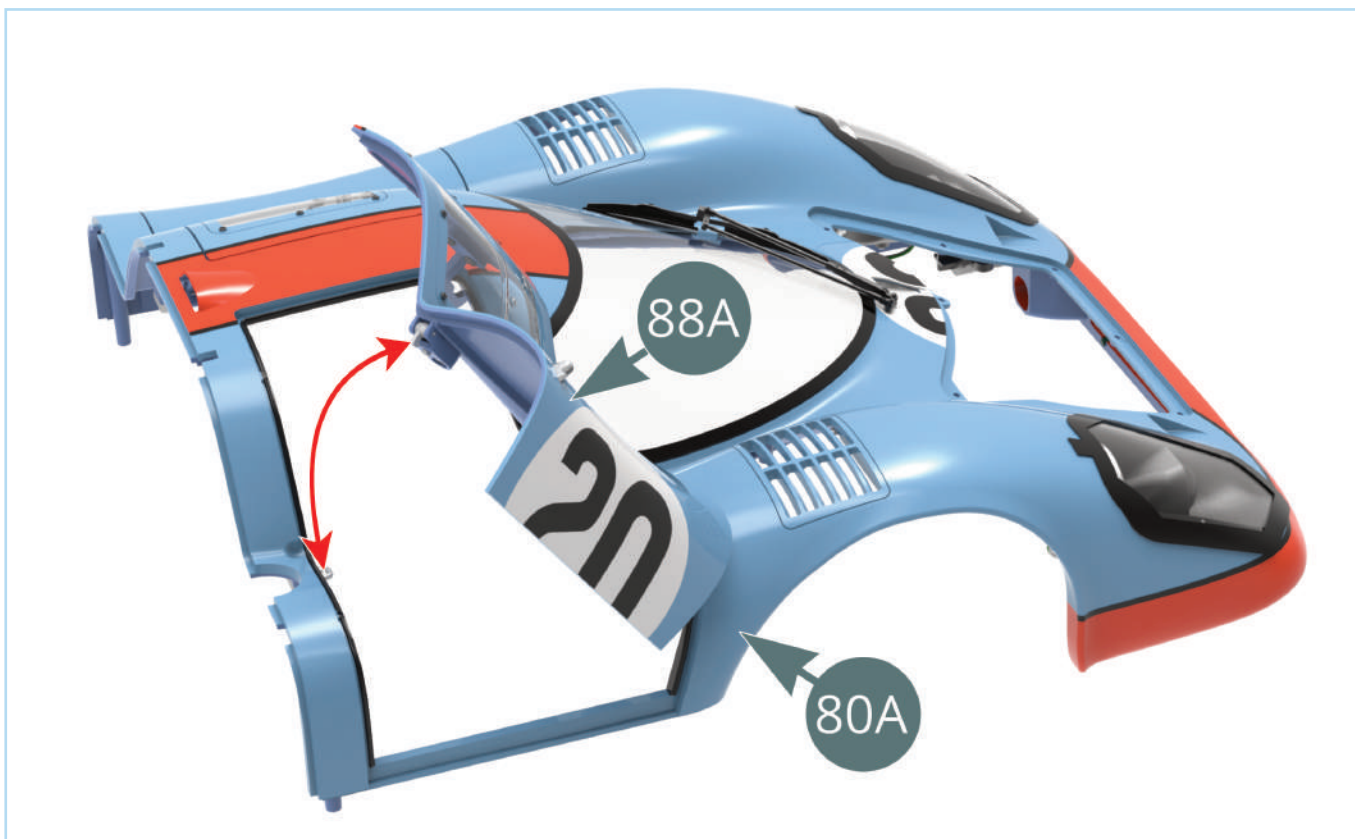
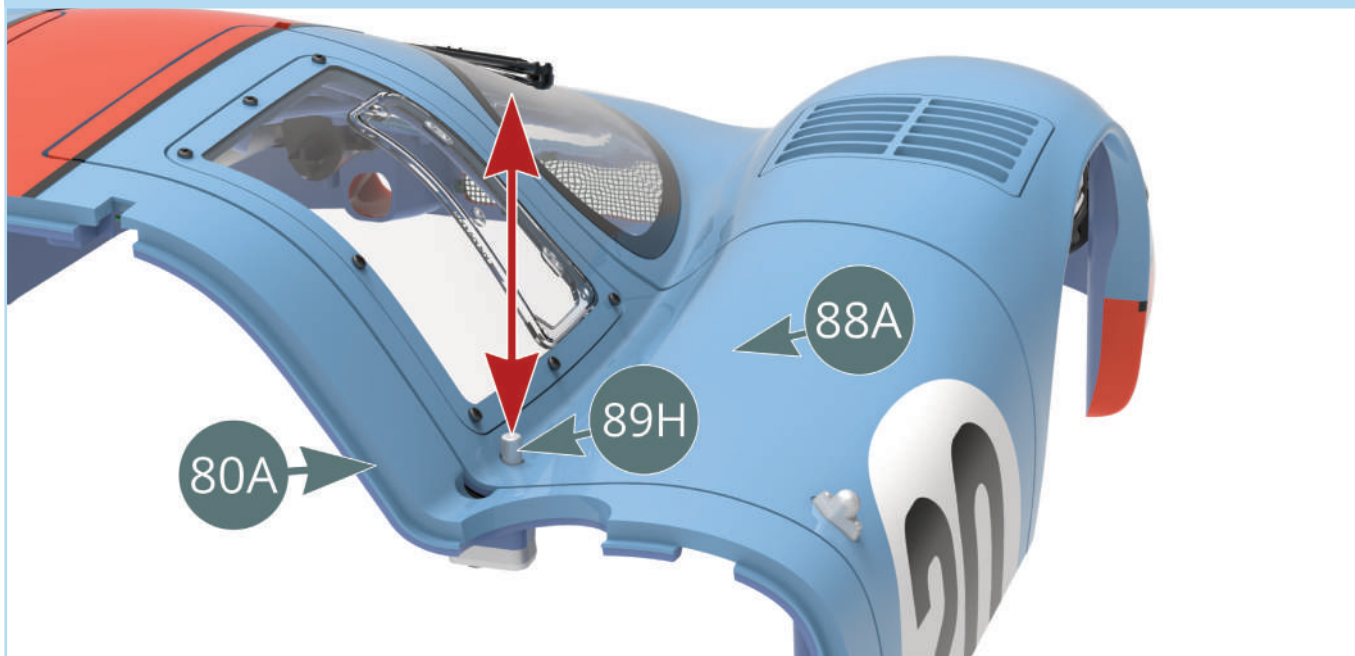


Keeping the **front body (80A)** upside down, fit the **right door (88A)** in position and engage the **latch (89G)** into the **right door lock (85G)**, as shown by the red and green arrows. Fasten the **lower and upper hinges (88B and 88C)** to the door using four **BM** screws.

STAGE 89: ASSEMBLING AND ATTACHING THE RIGHT DOOR

STEP 7

Push the **lock release (89H)** and check the right door opens as shown in the following images.



The door should hold in place once opened. If it does not, adjust the **NM** screw holding the clamp fitted in Step 5.

STAGE 89: ASSEMBLING AND ATTACHING THE RIGHT DOOR

STAGE COMPLETE

