

STEVE MCQUEEN'S ICONIC **PORSCHE** **917KH**



Pack 07

BUILD INSTRUCTIONS

STAGE 46: ASSEMBLING THE ENGINE OIL RECOVERY TANK, TRANSMISSION LINE AND BONNET LIFT ARM

STAGE 47: FIXING THE BONNET LIFT ARM TO THE UPPER FRAME

STAGE 48: ATTACHING THE LEFT TRIPOD BAR AND THE LEFT TAIL LIGHT

STAGE 49: ATTACHING THE UPPER FRAME TO THE LOWER FRAME

STAGE 50: FITTING THE FIRST REINFORCEMENT BAR

STAGE 51: ASSEMBLING AND ATTACHING THE REAR LEFT TYRE

STAGE 52: FITTING THE SECOND REINFORCEMENT BAR

STAGE 53: ASSEMBLING AND ATTACHING THE REAR RIGHT TYRE

STAGE 54: CONSTRUCTING THE COCKPIT BULKHEAD

Porsche, the Porsche shield and the distinctive design of Porsche cars are trademarks and trade dress of Porsche AG. Permission granted.

The Gulf trademarks are used under license from Gulf Oil International Ltd.

Personality rights of Steve McQueen are used with permission of Chadwick McQueen and The Terry McQueen Testamentary Trust.

Represented exclusively by Greenlight.

AGORA
MODELS

Advice from the experts

Spare screws are included with each part. Occasionally, you may be instructed to keep spare or unused screws for a later stage. Keep these spares in a safe place and label them correctly.

Please make sure you don't mix up the screws. They look quite similar, but the threads do vary slightly. Using the wrong screws may damage the parts.

When securing parts together using multiple screws, fit each screw loosely to ensure all the parts are correctly aligned before gently tightening them firmly, but not overtight, in the order in which you placed them.

The screwdriver can be magnetized by stroking it with a magnet (fridge magnet, etc.) enabling it to hold the screws and make assembly easier.

If a screw is tight going into a metal part, do not force it as you may shear the head off. Remove it and put a tiny smear of Vaseline, soap or light oil on the thread. That will lubricate it and make it easier to drive home.

During the course of this build, you will receive many pieces that you will assemble immediately – following the instructions in the corresponding stage – and other pieces that you should store safely to one side, for use in future assembly stages.

Left and Right! When building your Porsche 917KH, the left or right hand side refers to each side as you are sitting in the car.



WARNING: Some parts are assembled using magnets. These magnets can cause serious injury if they are swallowed. Keep away from children. If you suspect a magnet has been swallowed, seek medical help straight away.

STAGE 46: ASSEMBLING THE ENGINE OIL RECOVERY TANK, TRANSMISSION LINE AND BONNET LIFT ARM

46A Strut

46B Tank cover

46C Engine oil recovery tank

46D Engine oil recovery hose

46E Transmission cooling line

46F Transmission cooling line

46G Line outlet

46H Support bracket

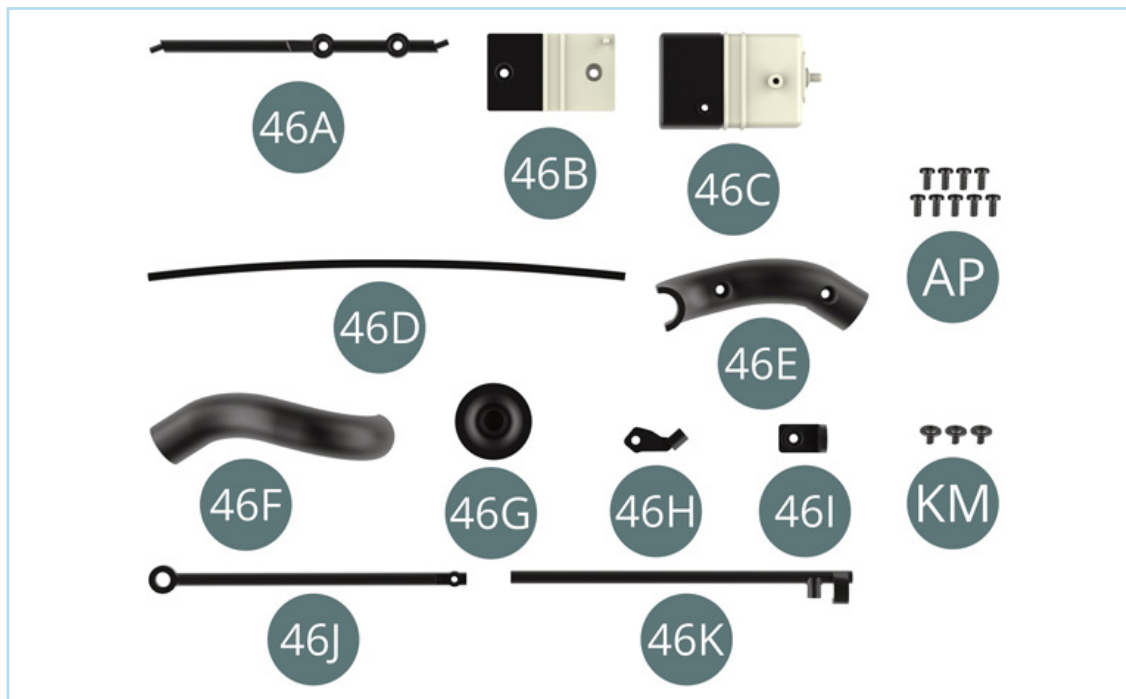
46I Bonnet arm support

46J Bonnet lift arm (lower)

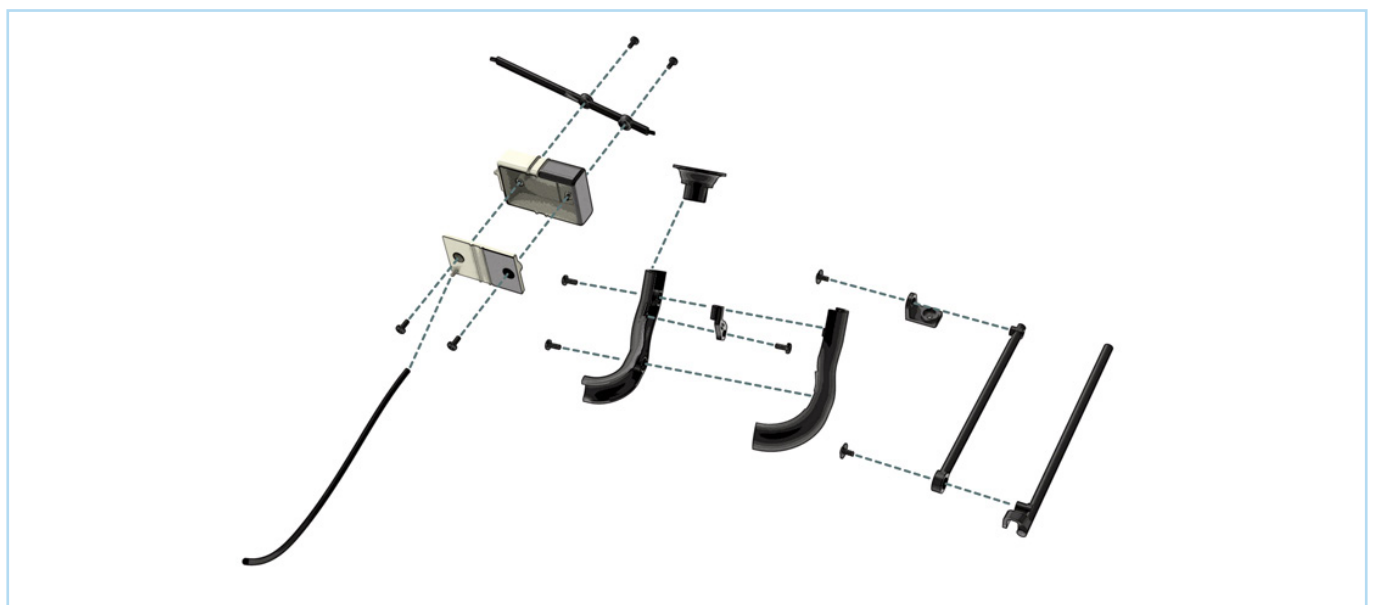
46K Bonnet lift arm (upper)

AP Screw 1.7 x 4 mm (x9)

KM Screw 1.7 x 3 x 5 mm (x3)



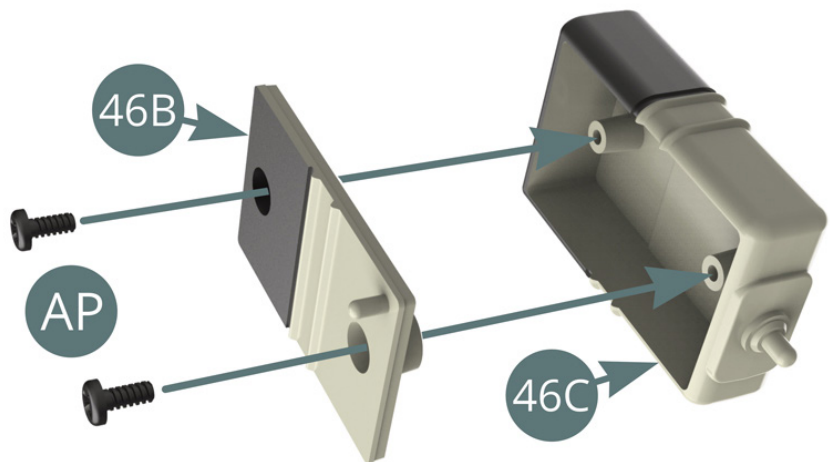
ASSEMBLY DIAGRAM



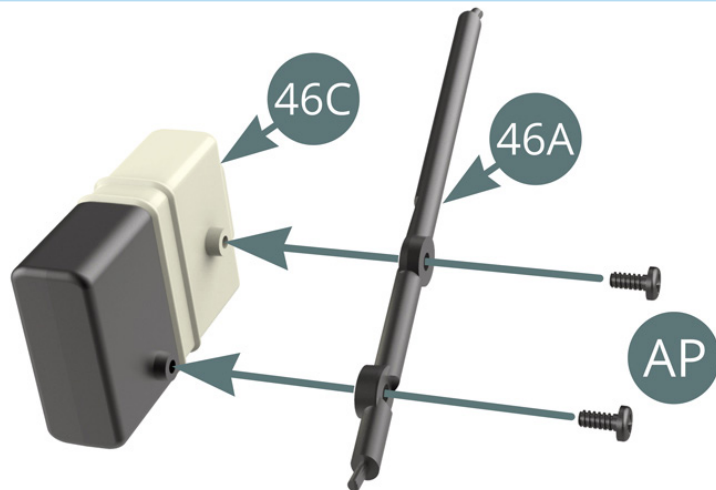
STAGE 46: ASSEMBLING THE ENGINE OIL RECOVERY TANK, TRANSMISSION LINE AND BONNET LIFT ARM

STEP 1

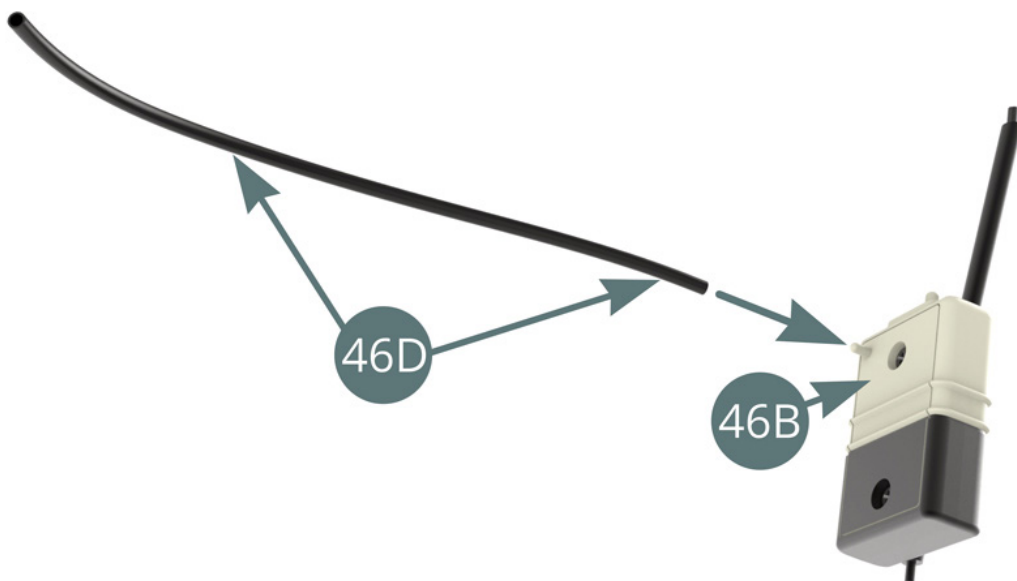
Place the **tank cover (46B)** onto the **engine oil recovery tank (46C)** and secure it with two **AP** screws.



Align the **strut (46A)** with the **engine oil recovery tank (46C)** and position it in place as shown. Fix the strut with two **AP** screws.



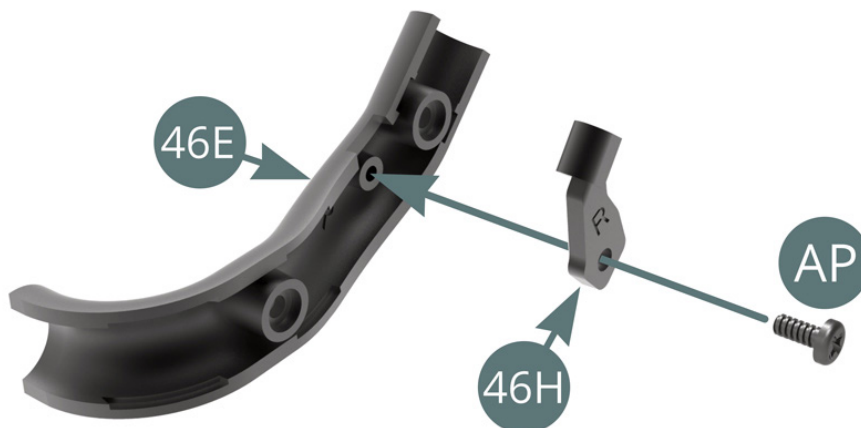
STEP 2



Fit the **engine oil recovery hose (46D)** onto the pin of the **tank cover (46B)**.

STAGE 46: ASSEMBLING THE ENGINE OIL RECOVERY TANK, TRANSMISSION LINE AND BONNET LIFT ARM

STEP 3

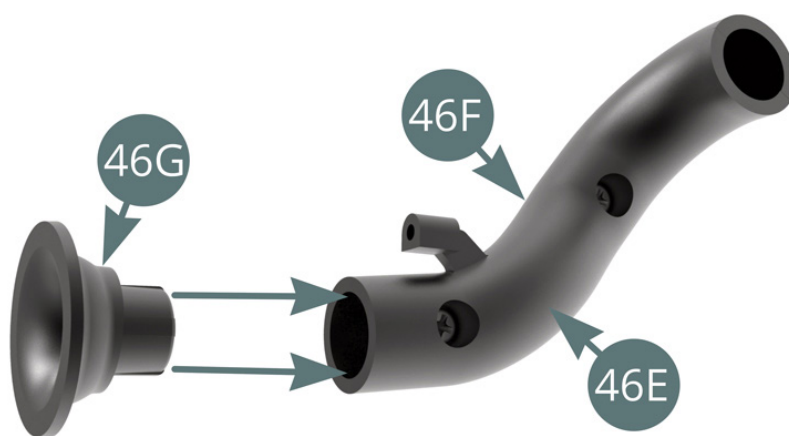


Place the **support bracket (46H)** onto the **transmission cooling line (46E)** and secure it using an **AP screw**.



Fit the two halves of the **transmission cooling lines (46E and 46F)** and fix together using two **AP screws**.

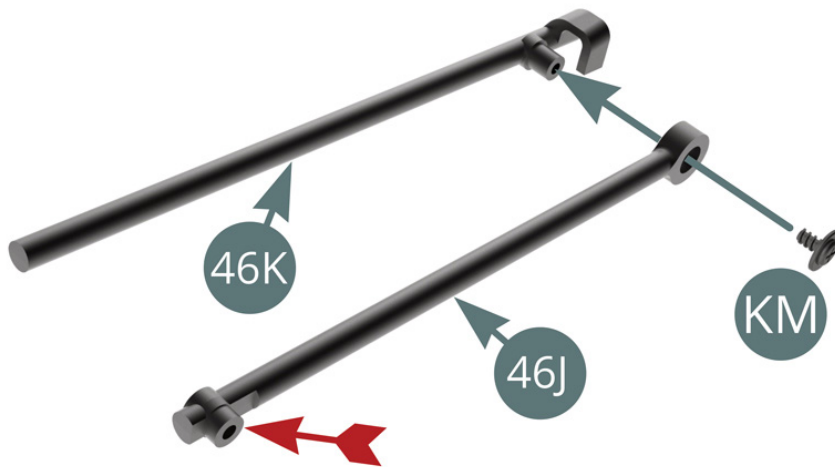
STEP 4



Push the **line outlet (46G)** into the end of the transmission line assembly as shown.

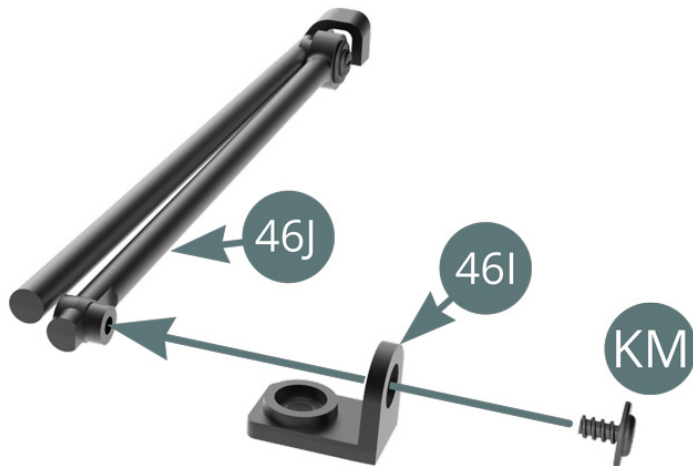
STAGE 46: ASSEMBLING THE ENGINE OIL RECOVERY TANK, TRANSMISSION LINE AND BONNET LIFT ARM

STEP 5



Fit the two parts of the **bonnet lift arm (46J and 46K)** together – note the orientation of the screw hole shown by the red arrow. Grip the parts tightly and fix them together using a **KM** screw.

Align the **bonnet arm support (46I)** with the arms and fit it over the screw hole highlighted in the previous step. Fix in place using a **KM** screw.



STAGE COMPLETE



STAGE 47: FIXING THE BONNET LIFT ARM TO THE UPPER FRAME

47A Upper frame

47B Front lower strut (x2)

47C Bracket (x2)

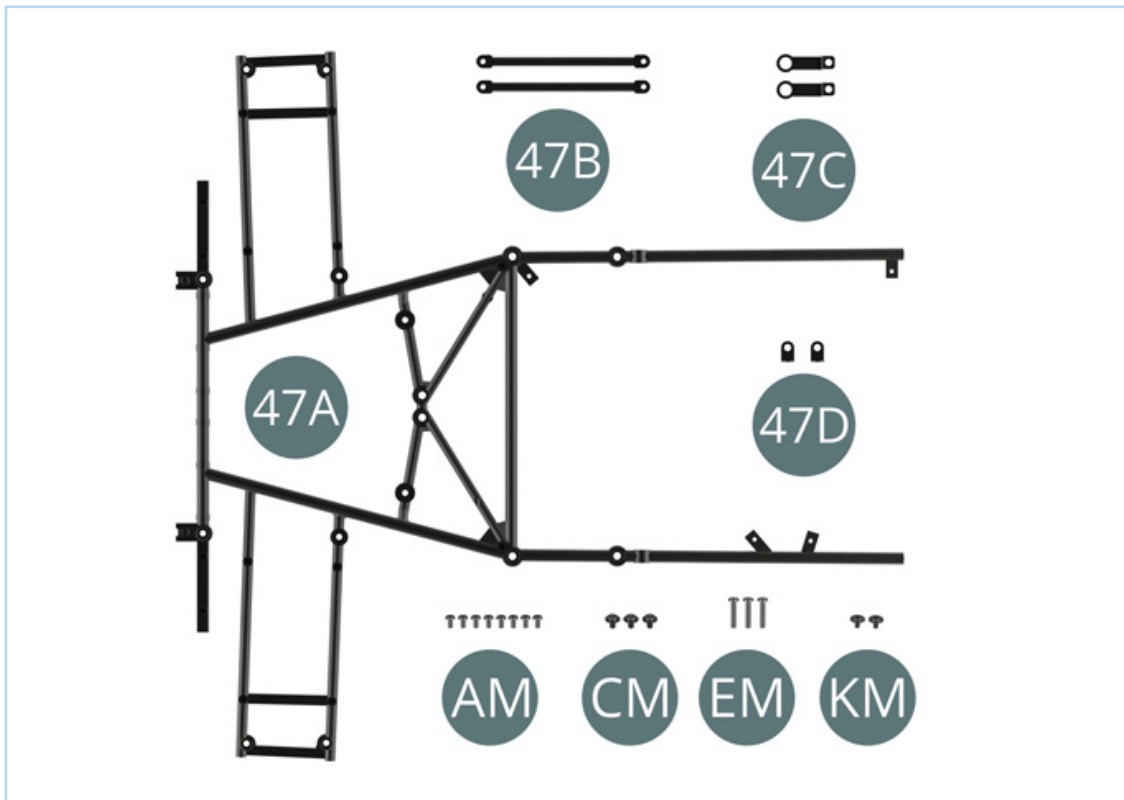
47D Bracket (x2)

AM Screw 1.7 x 3 mm (x8)

CM Screw 2.0 x 3 x 5 mm (x3)

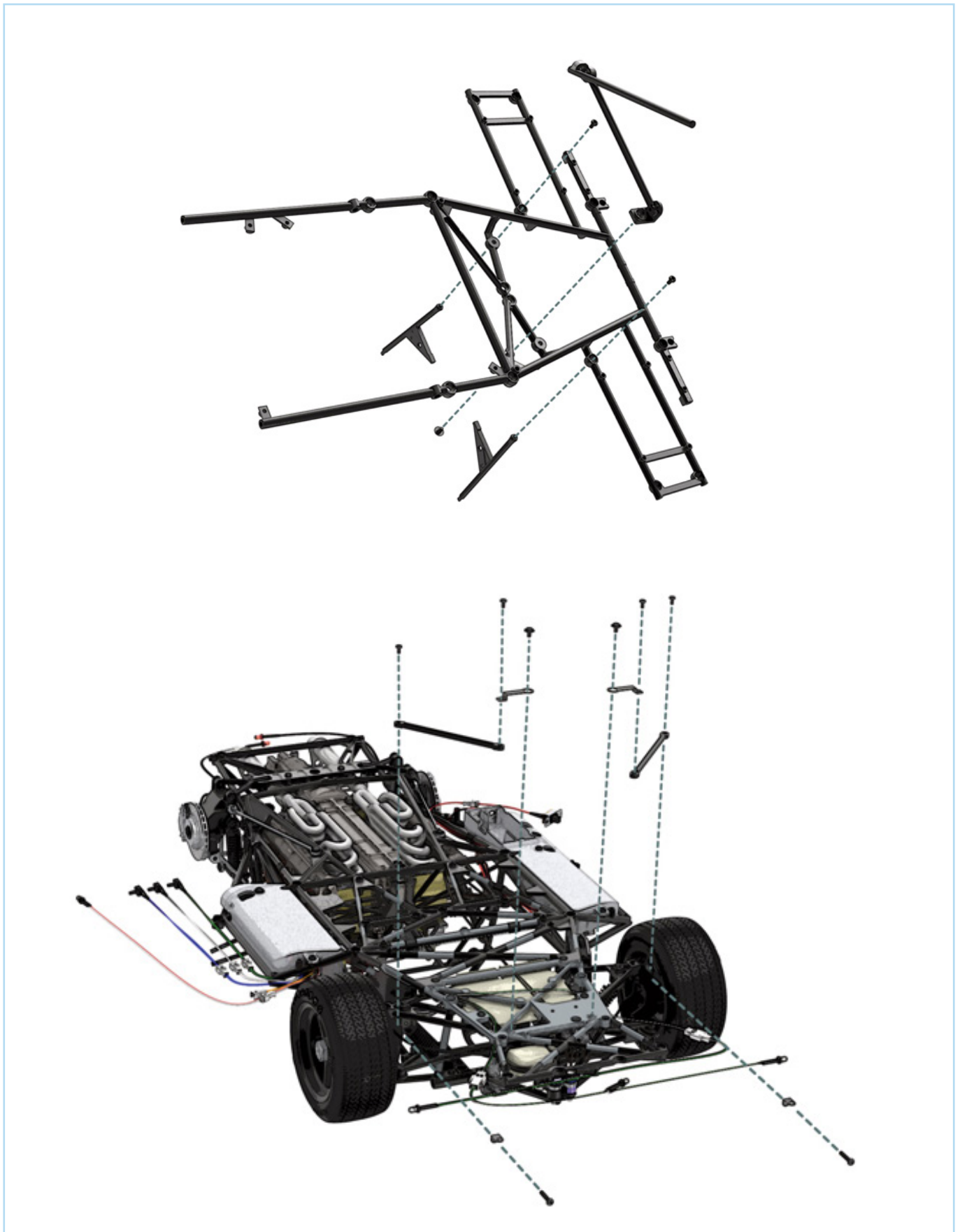
EM Screw 2.0 x 9 mm (x3)

KM Screw 1.7 x 3 x 5 mm (x2)



STAGE 47: FIXING THE BONNET LIFT ARM TO THE UPPER FRAME

ASSEMBLY DIAGRAM

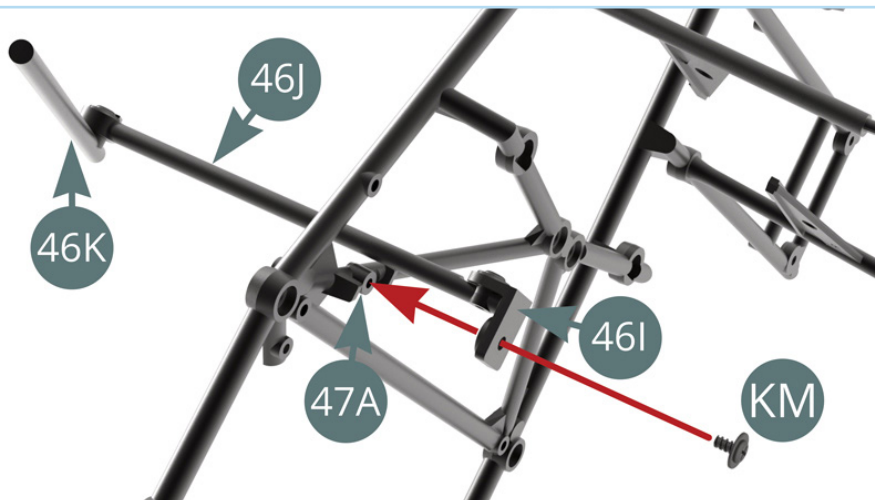
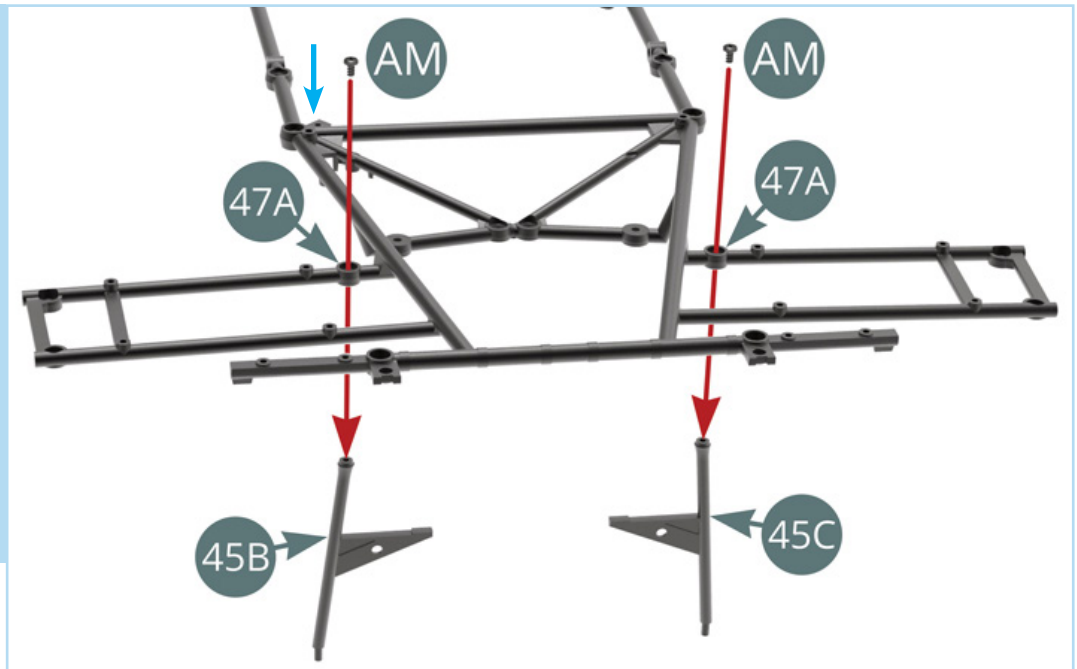


STAGE 47: FIXING THE BONNET LIFT ARM TO THE UPPER FRAME

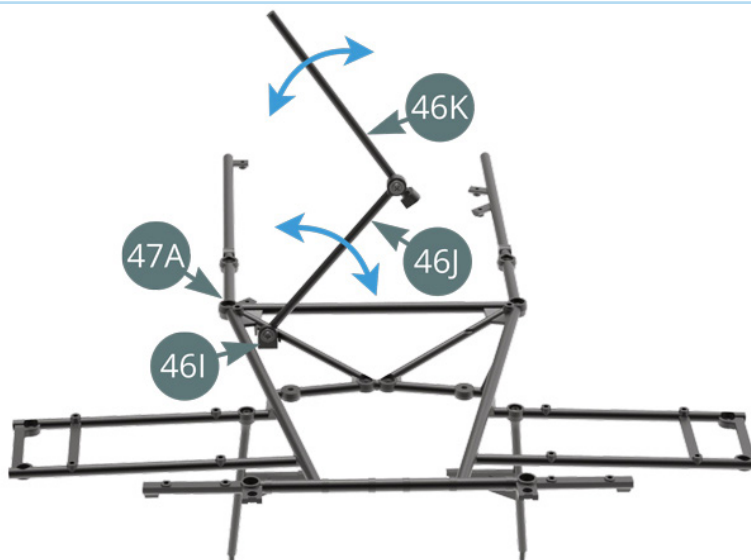
STEP 1

Take the **left stand (45B)** and **right stand (45C)** supplied with Stage 45 and fit them into the **upper frame (47A)** as shown. Secure each using an **AM** screw.

Note the small tab indicated by the blue arrow to help orient the frame the correct way.



Fit the **lift arm (46J and 46K)** through the frame and position the **bracket (46I)** onto the **upper frame (47A)** as shown. There is a screw hole with two rectangular ridges either side to keep the bracket in position. Secure the bracket using a **KM** screw.



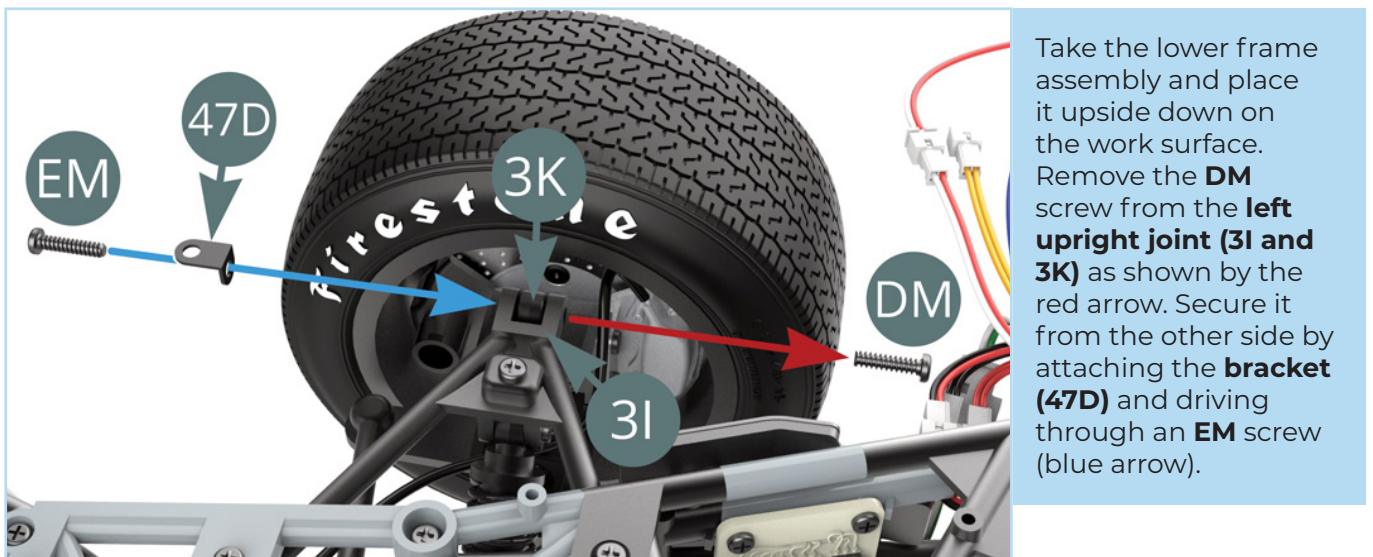
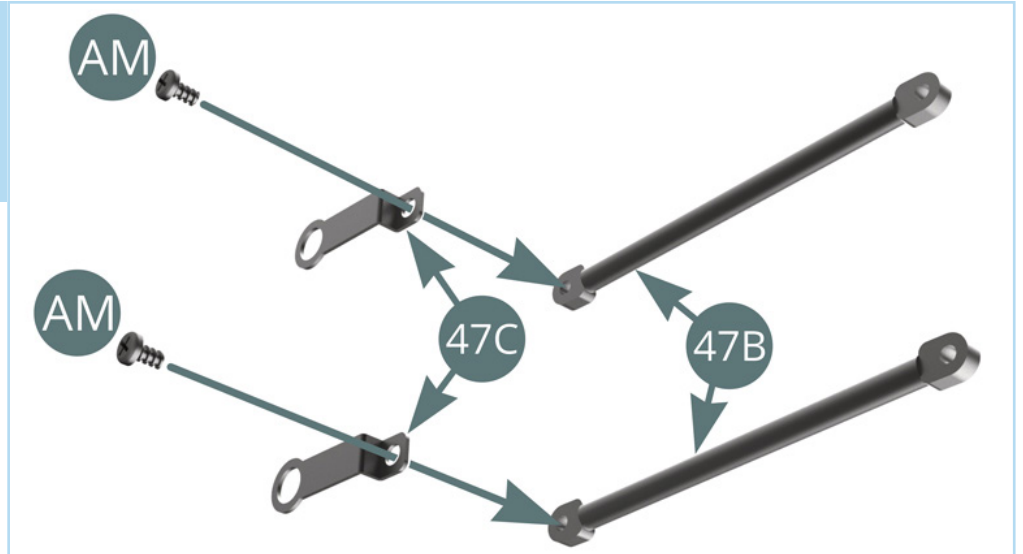
Check that the lift arms fold and unfold correctly as shown by the blue arrows.

STAGE 47: FIXING THE BONNET LIFT ARM TO THE UPPER FRAME



STEP 2

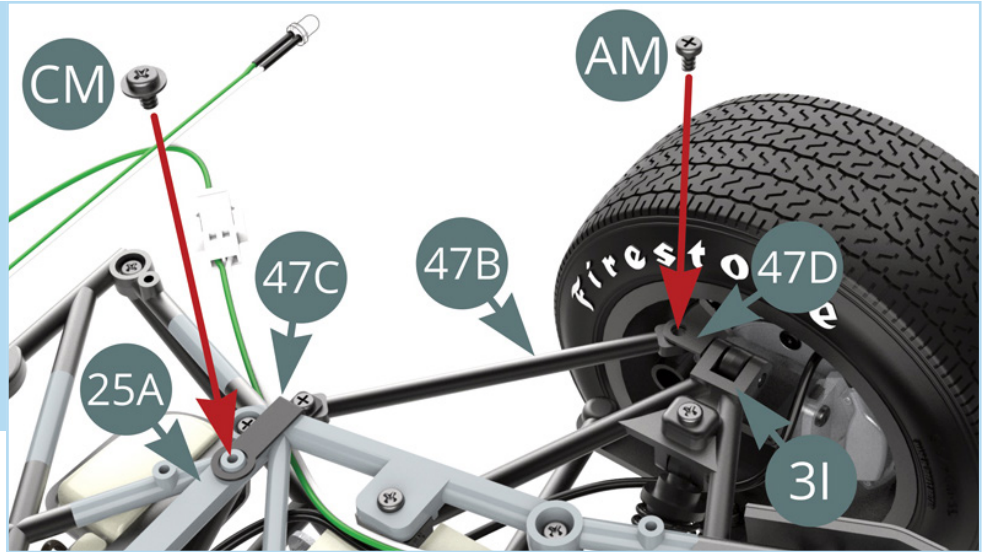
Position a **bracket (47C)** on each of the **front lower struts (47B)** and secure them using **AM** screws.



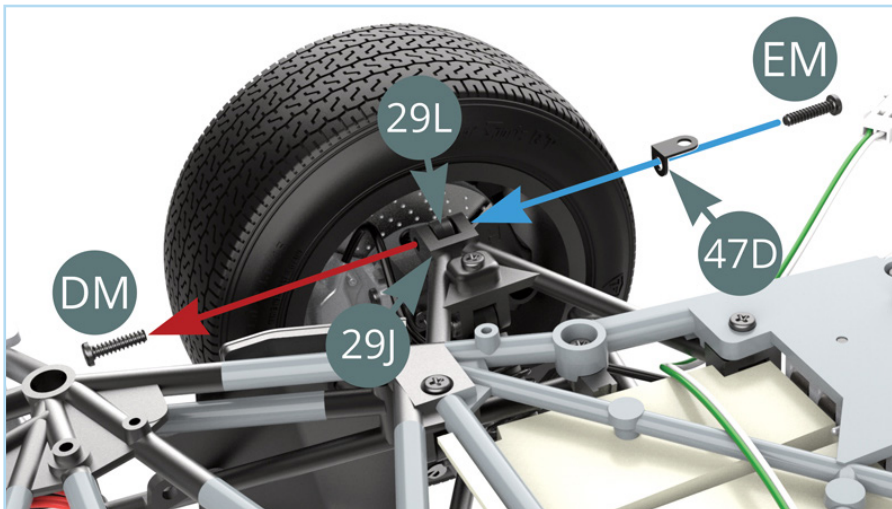
Take the lower frame assembly and place it upside down on the work surface. Remove the **DM** screw from the **left upright joint (3I and 3K)** as shown by the red arrow. Secure it from the other side by attaching the **bracket (47D)** and driving through an **EM** screw (blue arrow).

STAGE 47: FIXING THE BONNET LIFT ARM TO THE UPPER FRAME

Take one of the **front lower struts (47B)**. Fit the attached **bracket (47C)** over the **lower frame (25A)** and secure with a **CM** screw. Position the other end of the strut under the **bracket (47D)** that was connected to the upright joint in the previous step and secure using an **AM** screw.

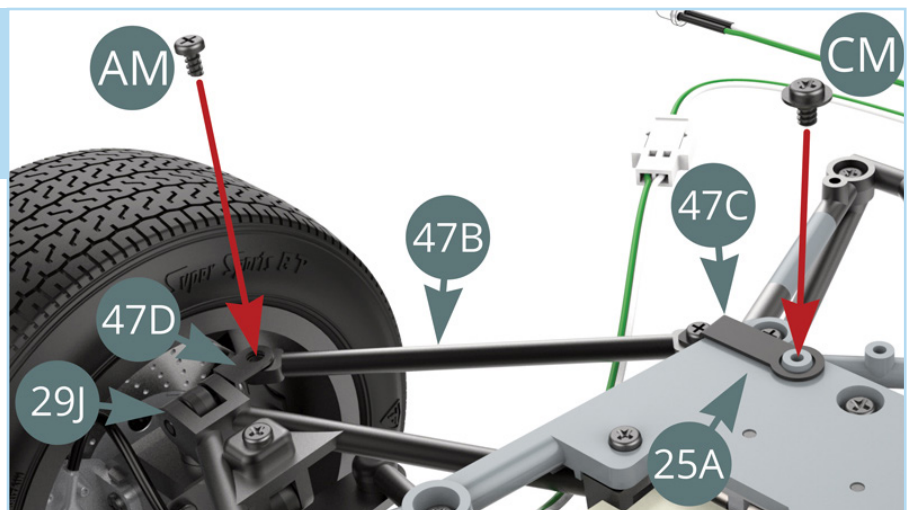


STEP 3

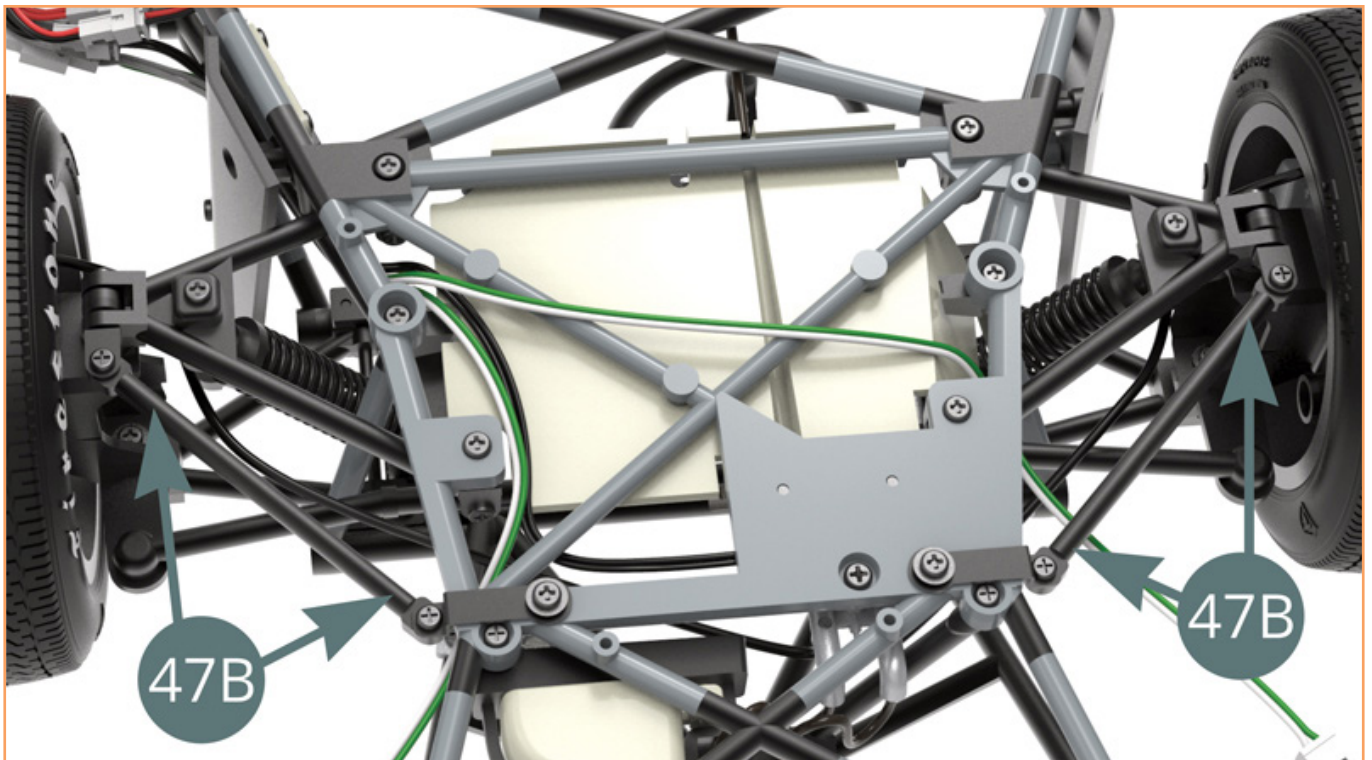


Repeat the same for the front right wheel. Remove the **DM** screw from the upright and then attach a **bracket (47D)** and secure with an **EM** screw.

Position the other **front lower strut (47B)** in place and secure using a **CM** screw and an **AM** screw as shown.

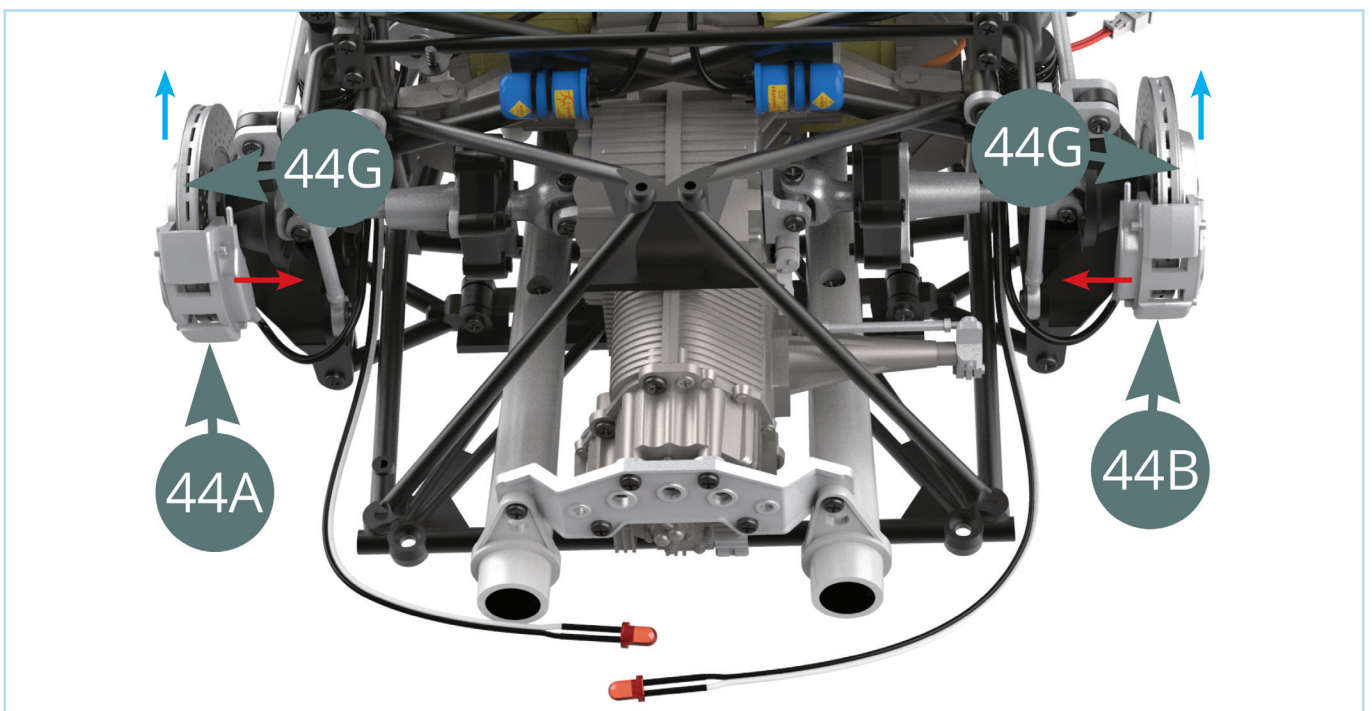


STAGE 47: FIXING THE BONNET LIFT ARM TO THE UPPER FRAME



The front lower struts should look like this once they have been fixed in place.

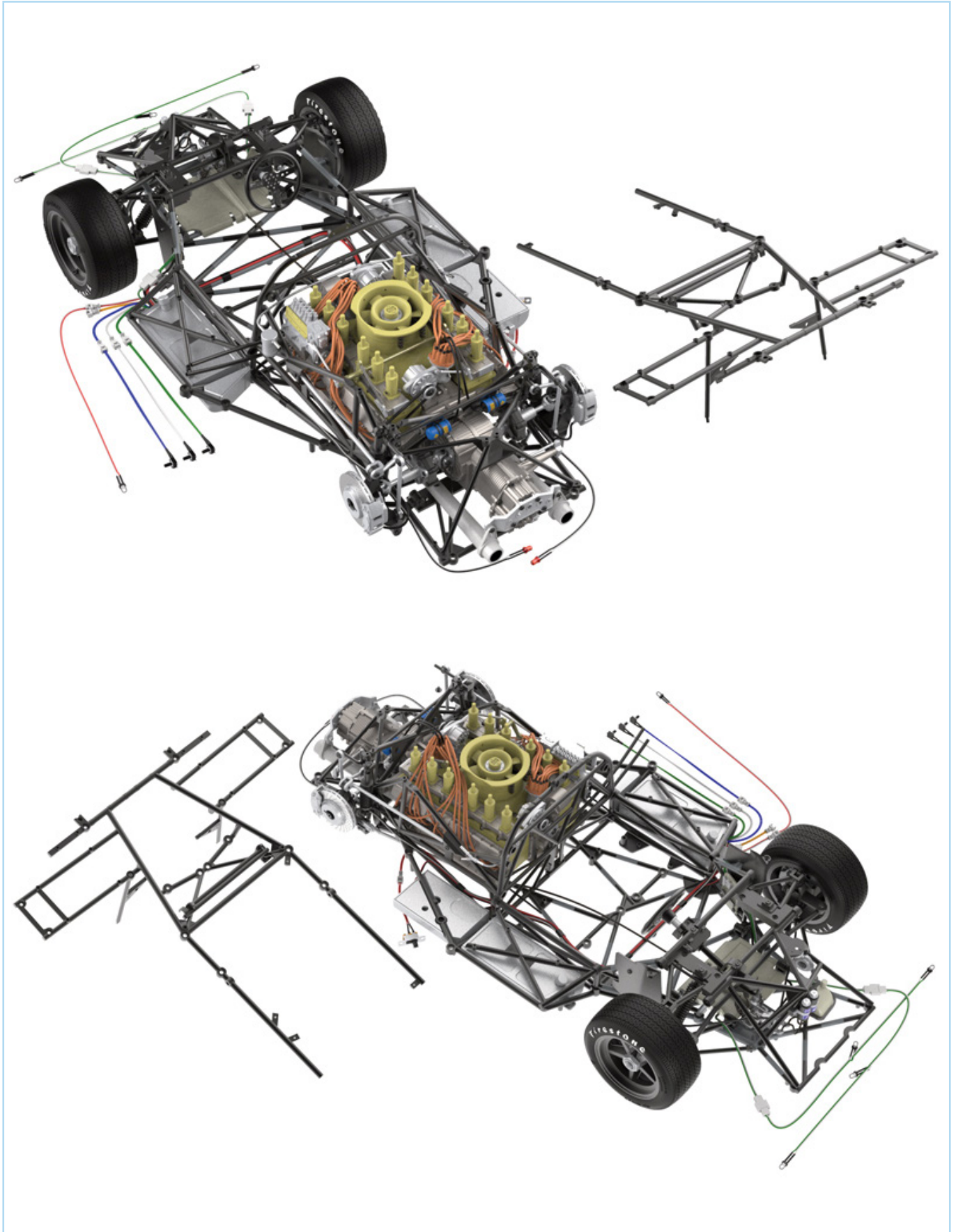
STEP 4



Take the two **rear brake discs (44G)** and fit them into position on the rear uprights. You may need to carefully push the **calipers (44A and 44B)** inwards slightly to allow the brake discs space to fit in place (red arrows). The ventilation holes on the brake discs should curve towards the front of the model (blue arrows).

STAGE 47: FIXING THE BONNET LIFT ARM TO THE UPPER FRAME

STAGE COMPLETE



STAGE 48: ATTACHING THE LEFT TRIPOD BAR AND THE LEFT TAIL LIGHT

48A Left tripod bar

48B Left tail light housing

48C Left tail light reflector

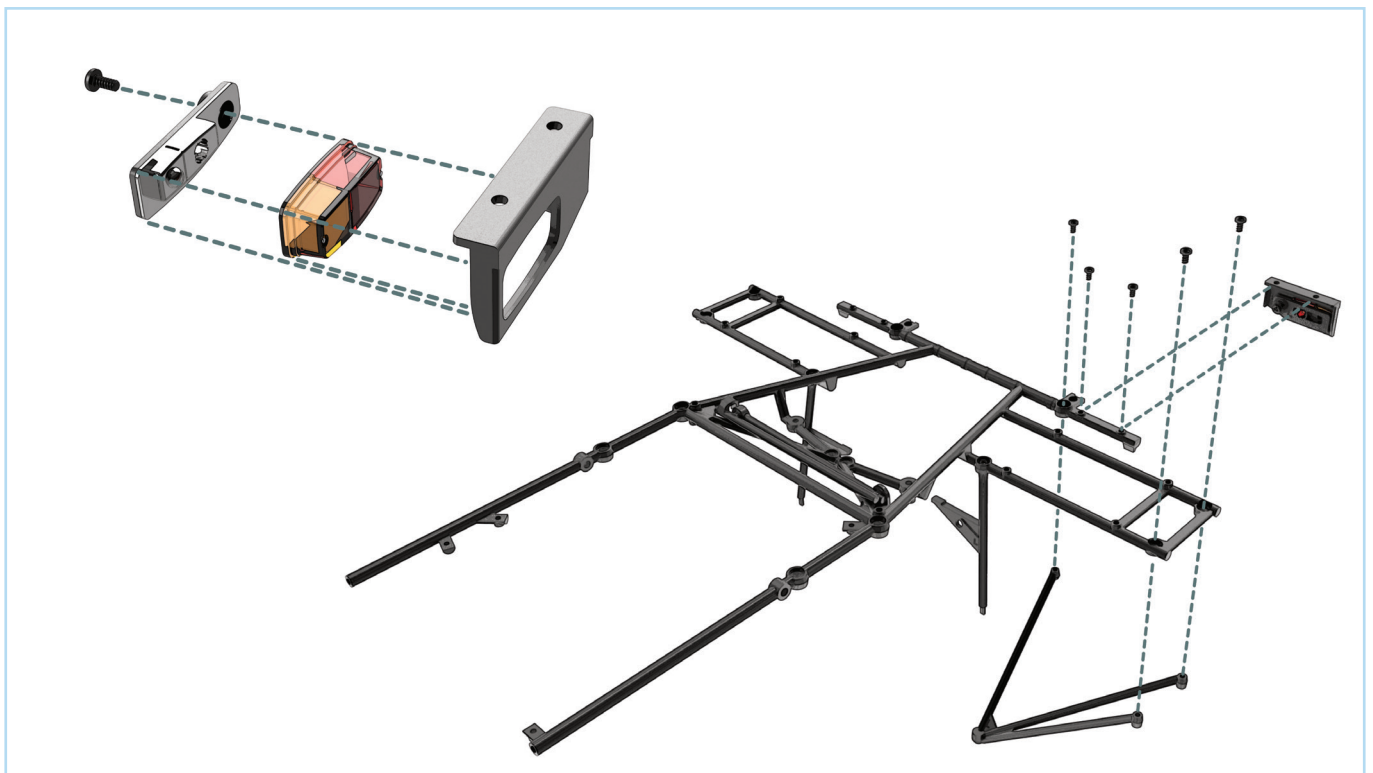
48D Left tail light

AM Screw 1.7 x 3 mm (x6)

AP Screw 1.7 x 4 mm (x2)



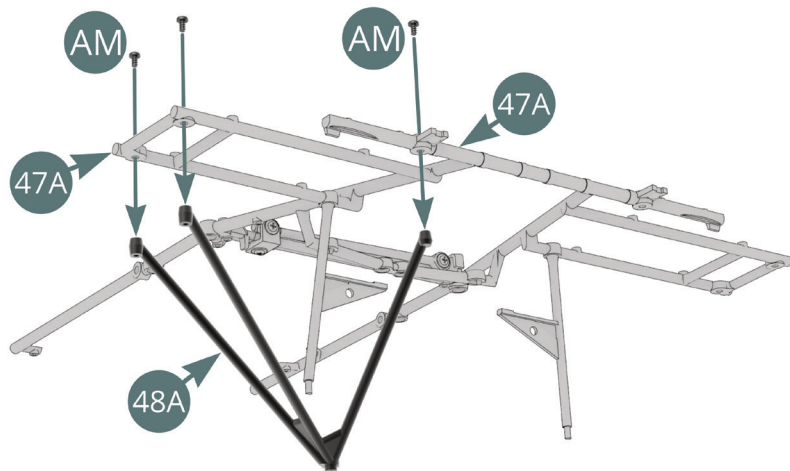
ASSEMBLY DIAGRAM



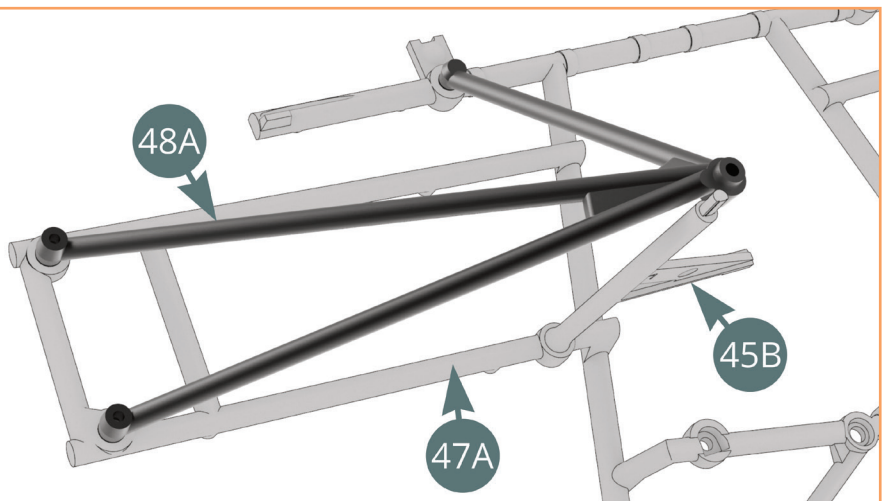
STAGE 48: ATTACHING THE LEFT TRIPOD BAR AND THE LEFT TAIL LIGHT

STEP 1

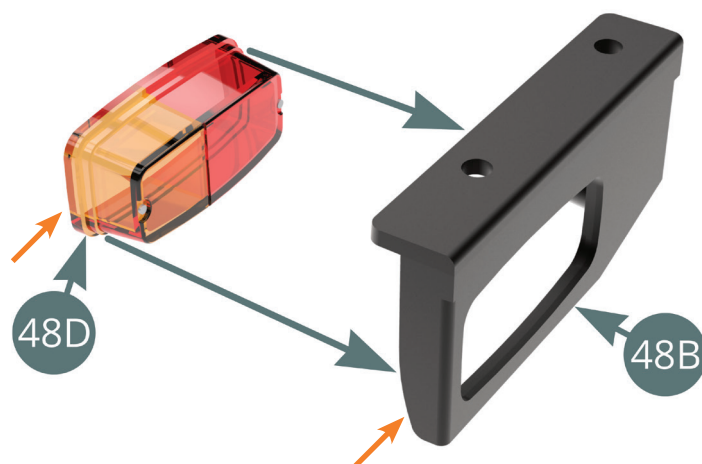
Position the **left tripod bar (48A)** onto the **top frame (47A)** then secure in place with three **AM** screws. You may need to stretch the arms of the tripod to align them with the screw holes.



The tripod bar should look like this once it has been fixed to the top frame.



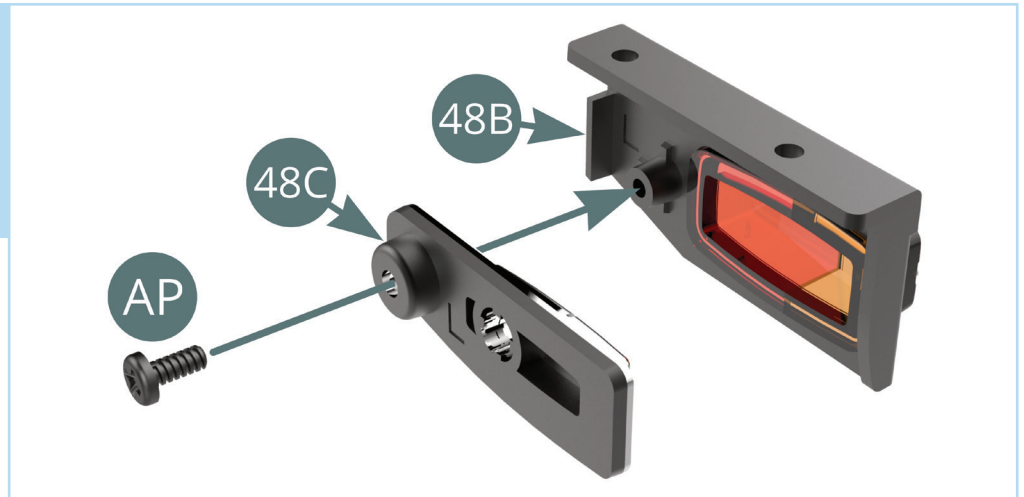
STEP 2



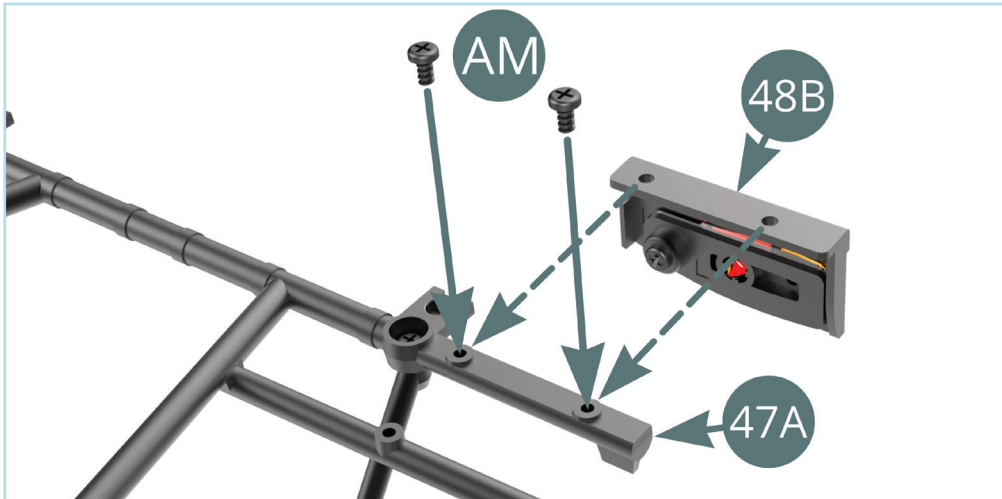
Take the **left tail light (48D)** and fit it into the **left tail light housing (48B)** as shown. Note the orientation of the tail light with the orange half on the outer side of the housing (orange arrows).

STAGE 48: ATTACHING THE LEFT TRIPOD BAR AND THE LEFT TAIL LIGHT

Position the **left tail light reflector (48C)** onto the **left tail light housing (48B)** and secure them together using an **AP** screw.

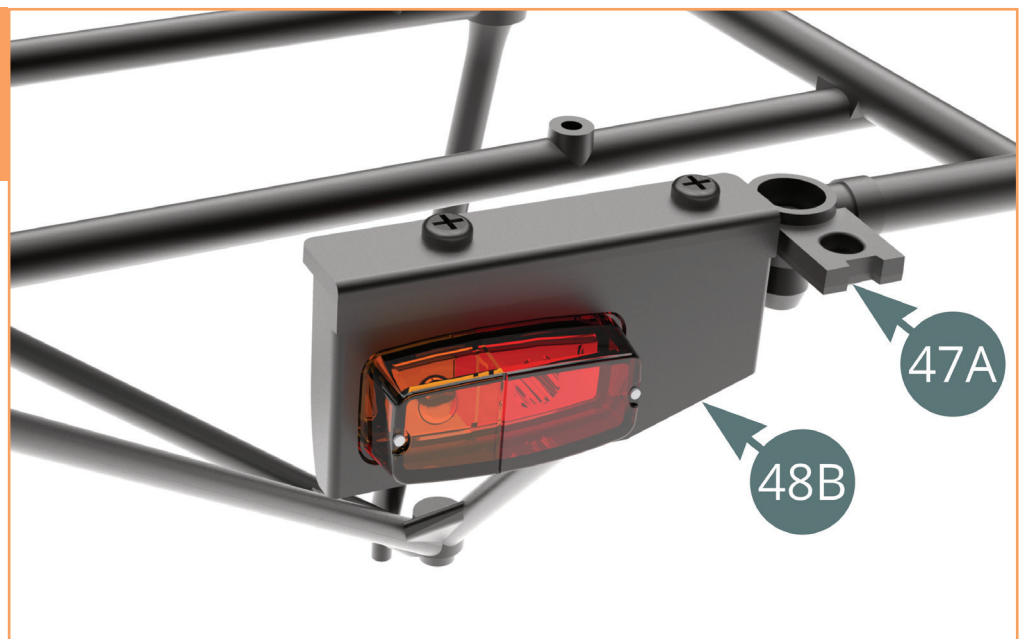


STEP 3



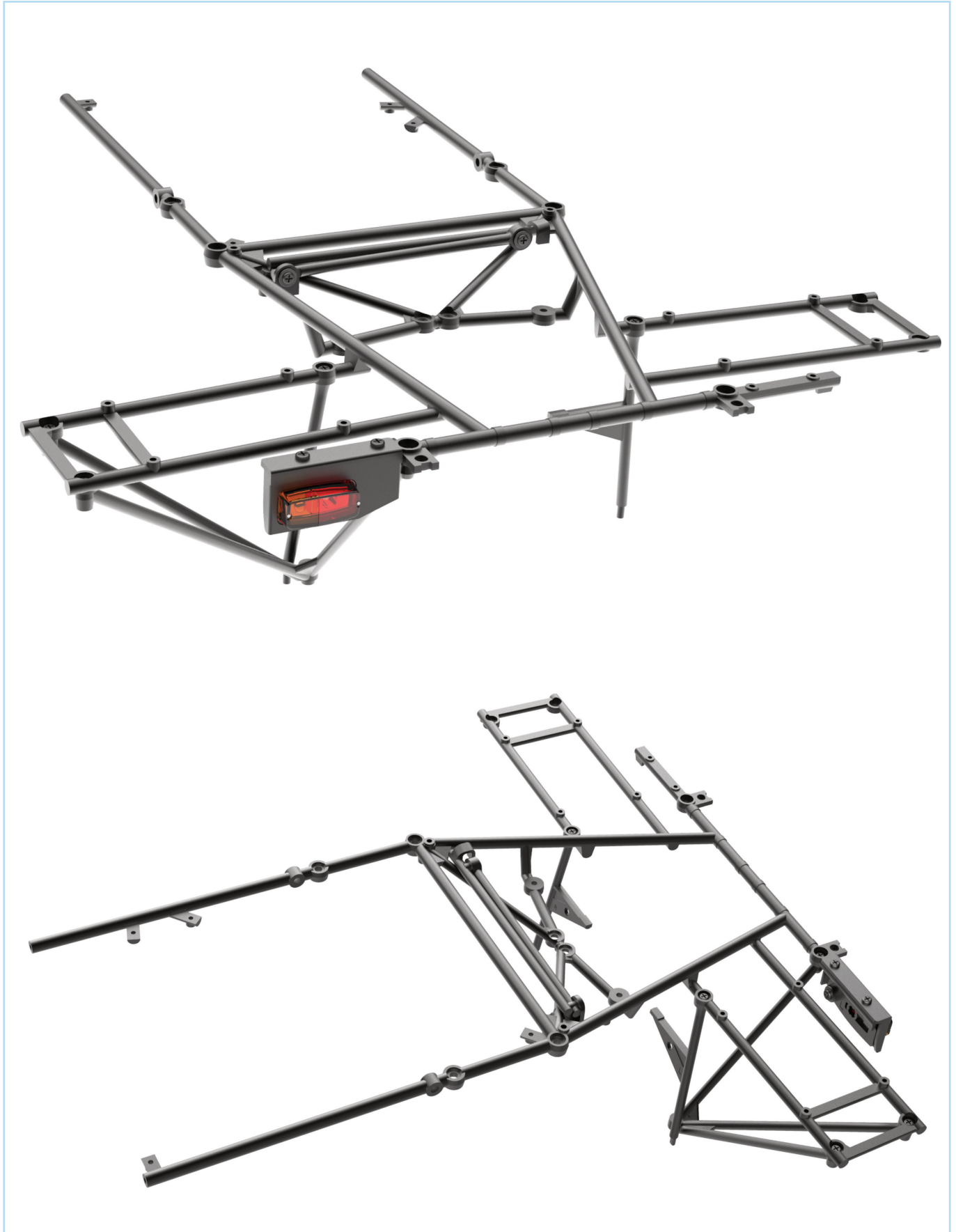
Fit the assembled tail light onto the rear of the frame on the left-hand side and fix in place using two **AM** screws as shown.

This is how the left tail light should look once fixed to the upper frame.



STAGE 48: ATTACHING THE LEFT TRIPOD BAR AND THE LEFT TAIL LIGHT

STAGE COMPLETE



STAGE 49: ATTACHING THE UPPER FRAME TO THE LOWER FRAME

49A Right tripod bar

49B Right tail light housing

49C Right tail light reflector

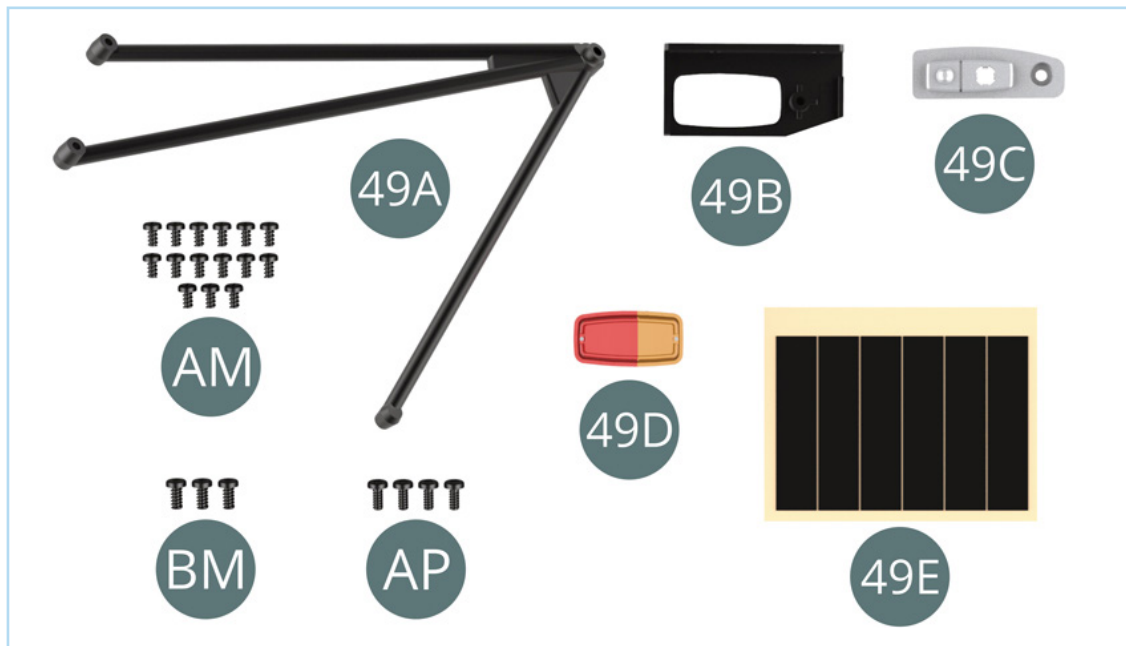
49D Right tail light

49E Adhesive tape (x6)

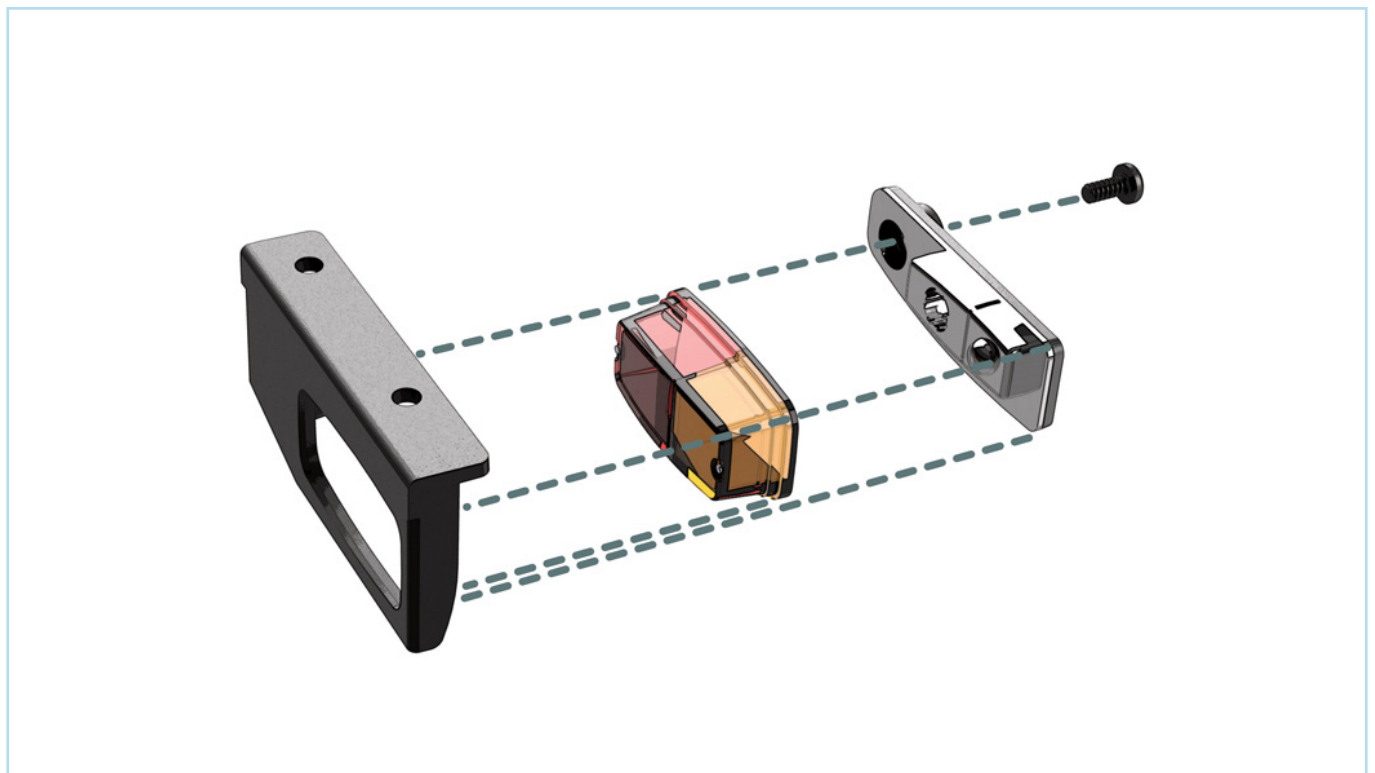
AM Screw 1.7 x 3 mm (x15)

AP Screw 1.7 x 4 mm (x4)

BM Screw 2.0 x 4 mm (x3)

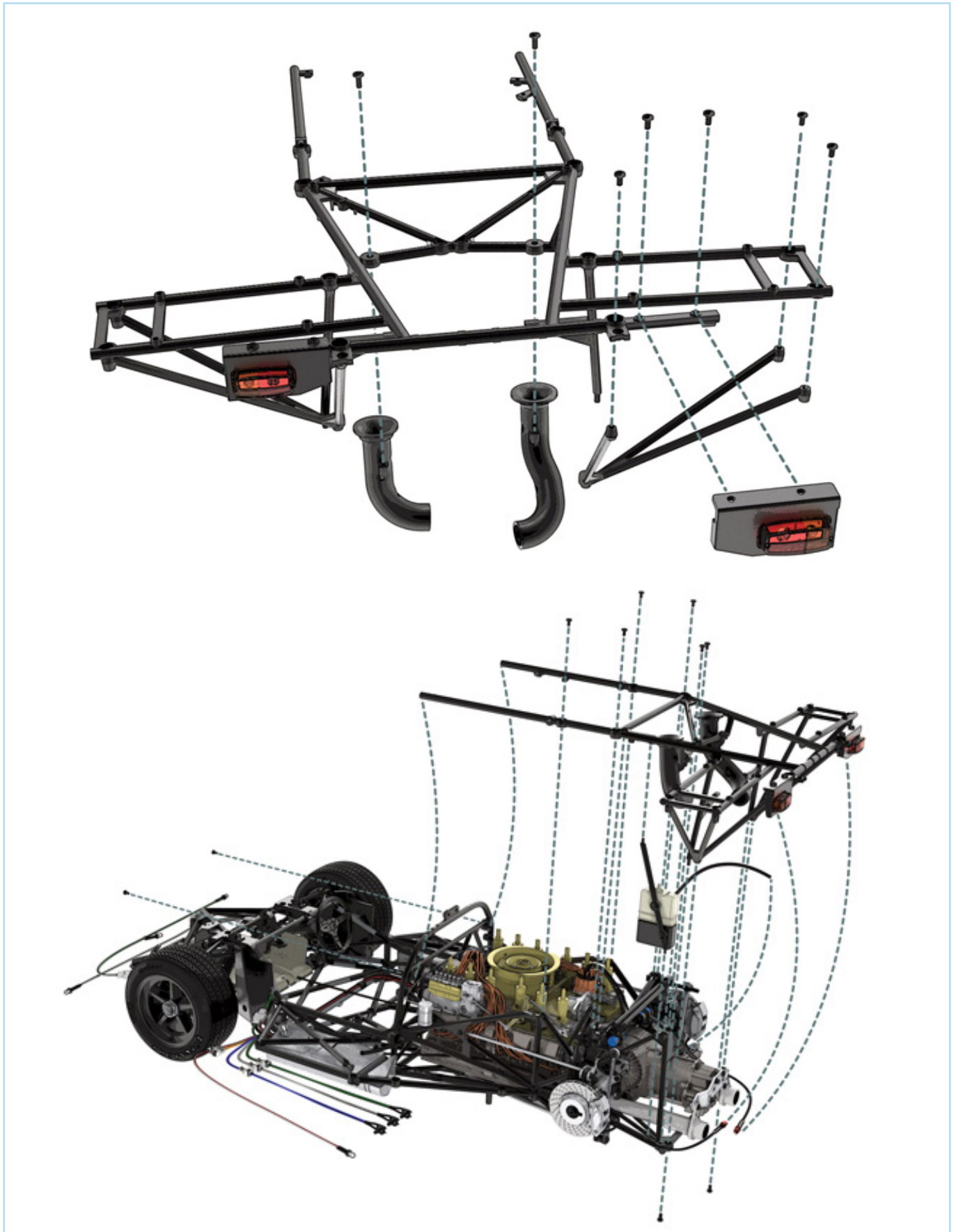


ASSEMBLY DIAGRAM



STAGE 49: ATTACHING THE UPPER FRAME TO THE LOWER FRAME

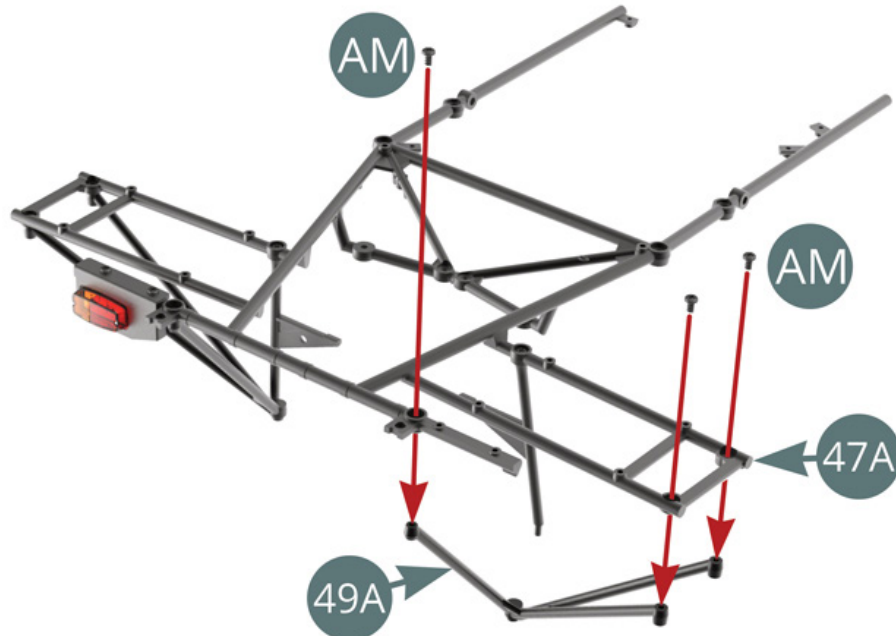
ASSEMBLY DIAGRAM



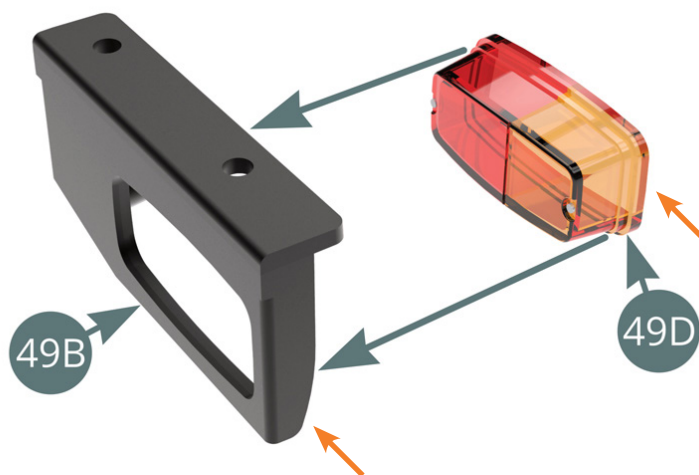
STAGE 49: ATTACHING THE UPPER FRAME TO THE LOWER FRAME

STEP 1

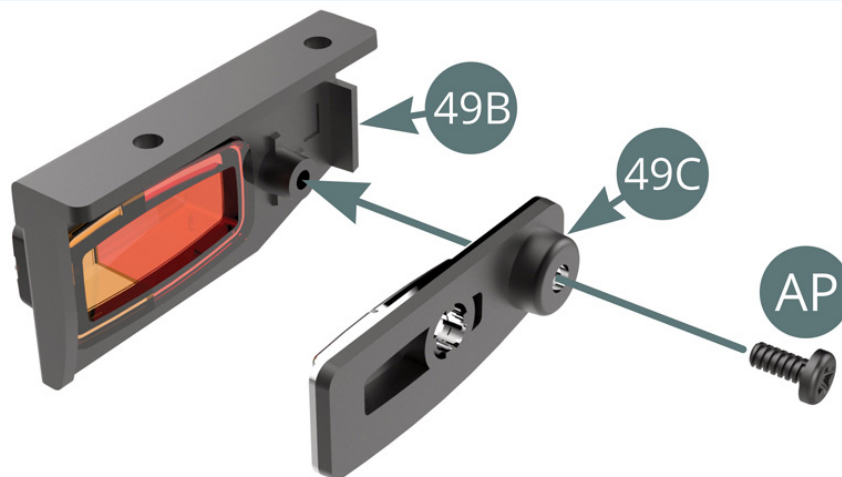
Position the **right tripod bar (49A)** onto the **upper frame (47A)** and fix with three **AM** screws.



Take the **right tail light (49D)** and position it into the **right tail light housing (49B)**. Note the orientation of the tail light with the orange half on the outer side (orange arrows) as before.

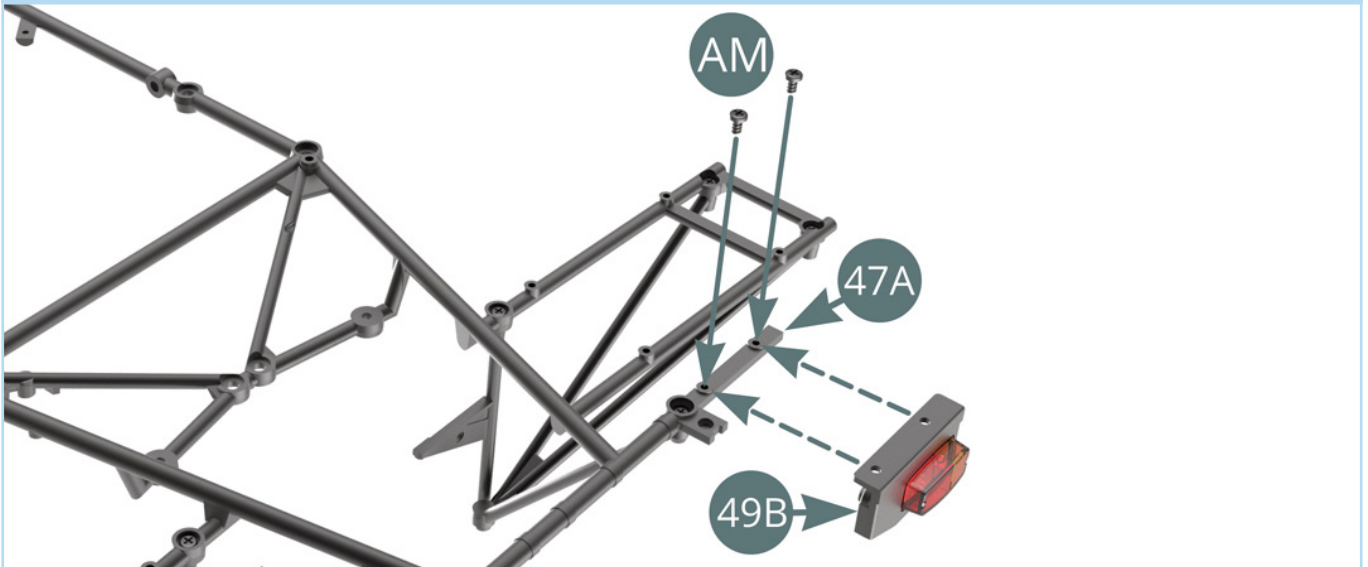


Position the **right tail light reflector (49C)** onto the **right tail light housing (49B)** and secure together using an **AP** screw.



STAGE 49: ATTACHING THE UPPER FRAME TO THE LOWER FRAME

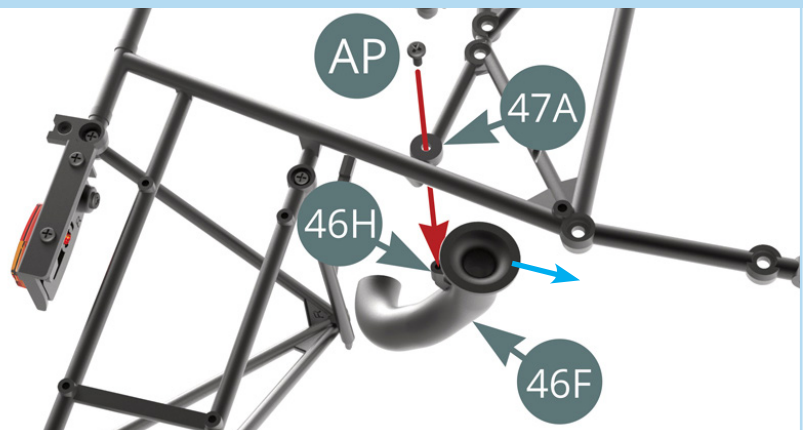
Fit the tail light by placing the two holes of the **right tail light housing (49B)** over the screw holes located on the right-hand side of the **upper frame (47A)**. Fix in place using two **AM** screws.



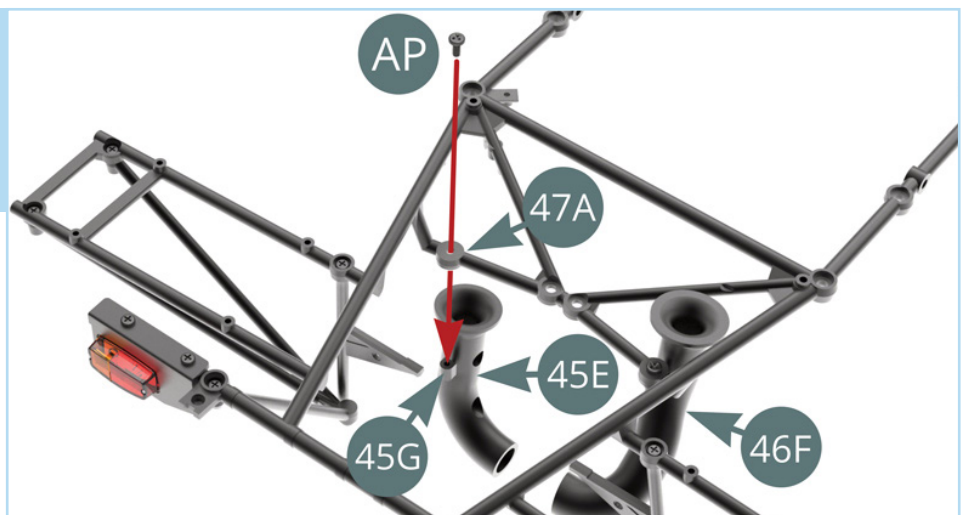
STEP 2

Fit the **transmission cooling line (46F and 46H)** on the right side of the **upper frame (47A)** and secure it with an **AP** screw.

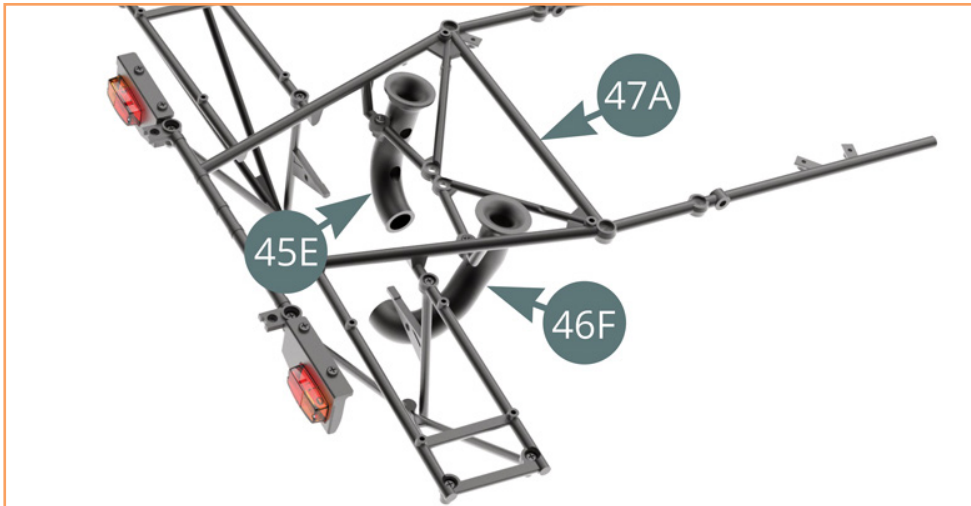
We recommend removing the line outlet from the transmission line to allow easier access for driving in the screw (blue arrow). Replace the line outlet once it is fixed in place.



Position the other **transmission cooling line (45E and 45G)** onto the **upper frame (47A)** and secure with an **AP** screw.

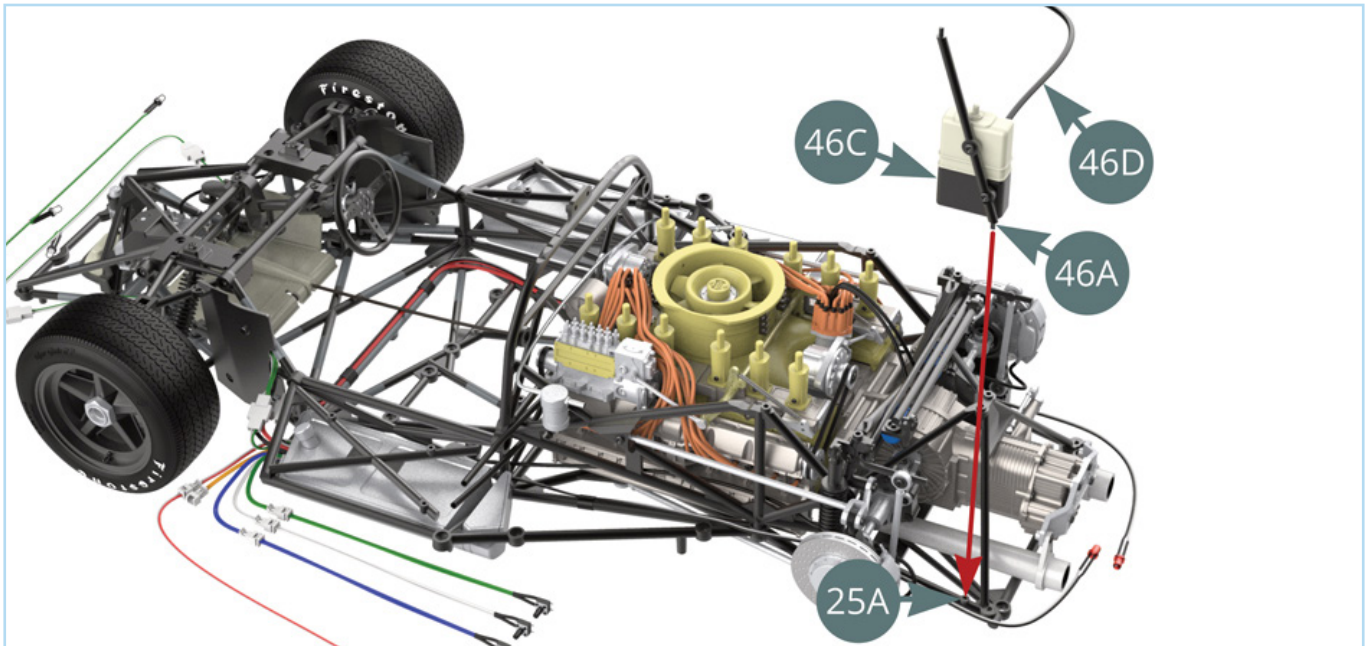


STAGE 49: ATTACHING THE UPPER FRAME TO THE LOWER FRAME



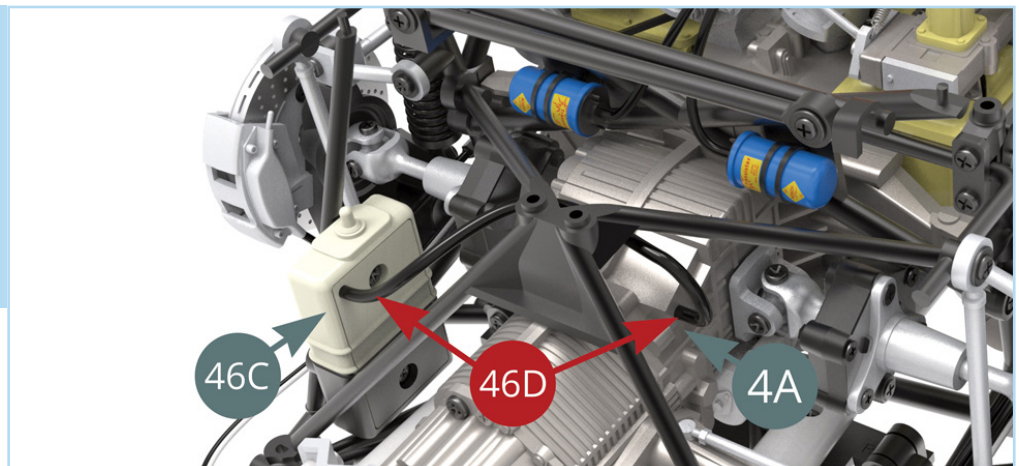
The upper frame is now ready to be installed on the main frame.

STEP 3



Take the **engine oil recovery tank (46C)** and align it with the assembly as shown. Fit the pin of the **strut (46A)** into the hole located on the rear left of the **lower frame (25A)**.

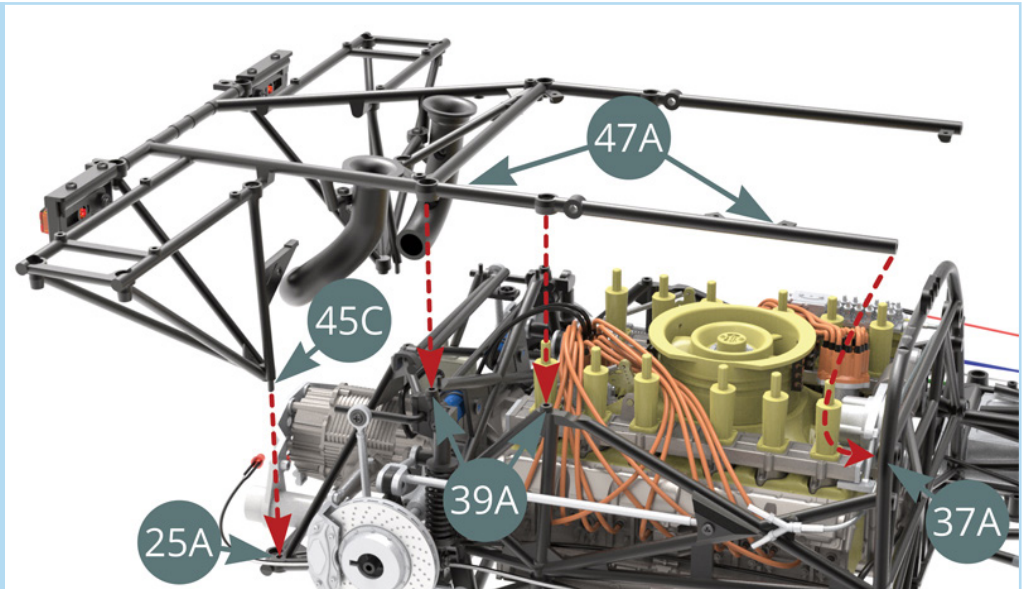
Thread the **engine oil recovery hose (46D)** through the frame as shown and fit the loose end onto the pin protruding from the **right gearbox housing (4A)**.



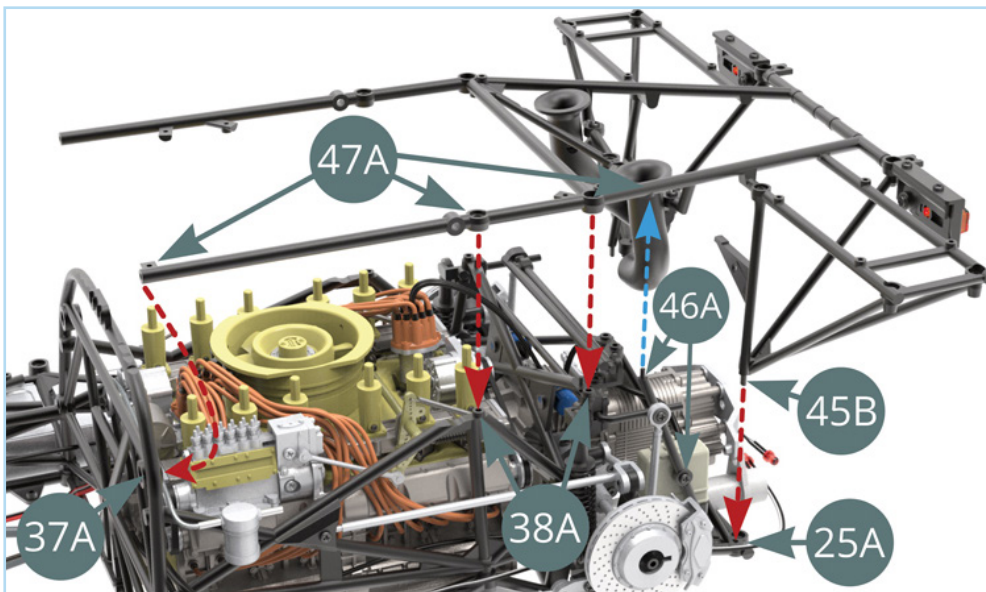
STAGE 49: ATTACHING THE UPPER FRAME TO THE LOWER FRAME

STEP 4

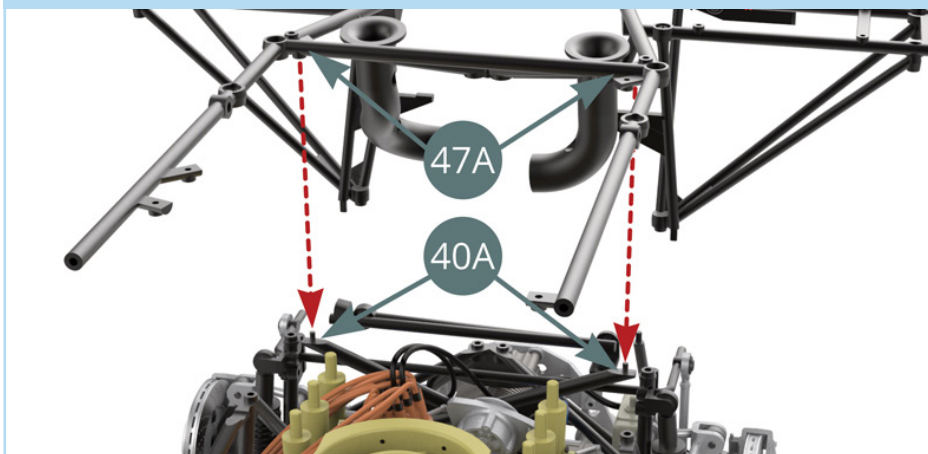
Align the **upper frame (47A)** with the assembly as shown. Engage the connection points shown by the red dotted arrows of the **upper frame (47A)** into the **right side frame (39A)** and **cockpit partition frame (37A)**. Fit the connection of the **right-hand stand (45C)** into the **lower frame (25A)**.



At the same time, fit the connection points of the **upper frame (47A)** into the **left side frame (38A)** and **cockpit partition frame (37A)** shown by the dotted red arrows. Fit the connection of the **left-hand stand (45B)** into the **lower frame (25A)**. Ensure that the **strut (46A)** holding the oil recovery tank fits into place, as shown by the dotted blue arrow.



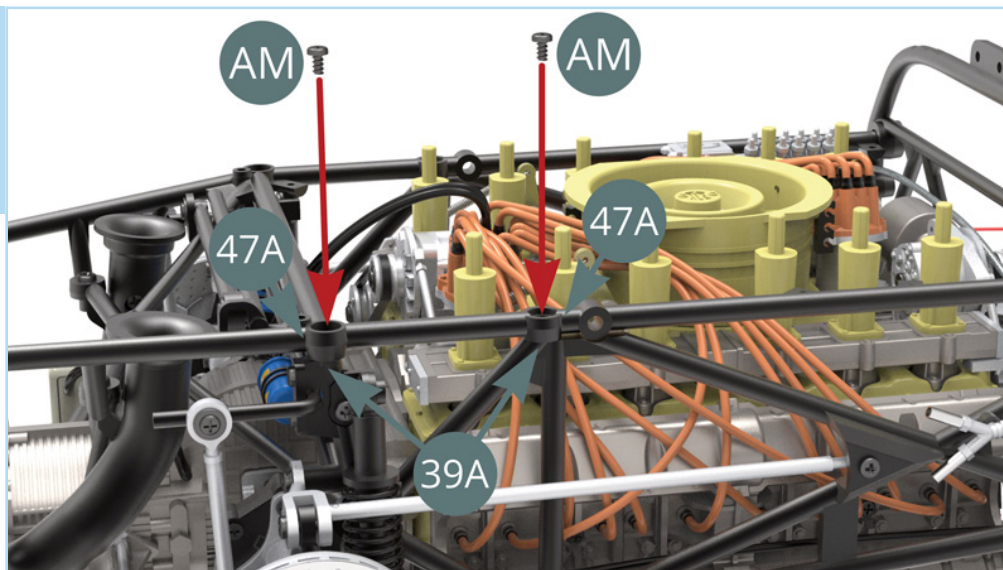
While fitting the frames together, engage the pins on the **X-frame (40A)** into the corresponding holes of the **upper frame (47A)** as shown.



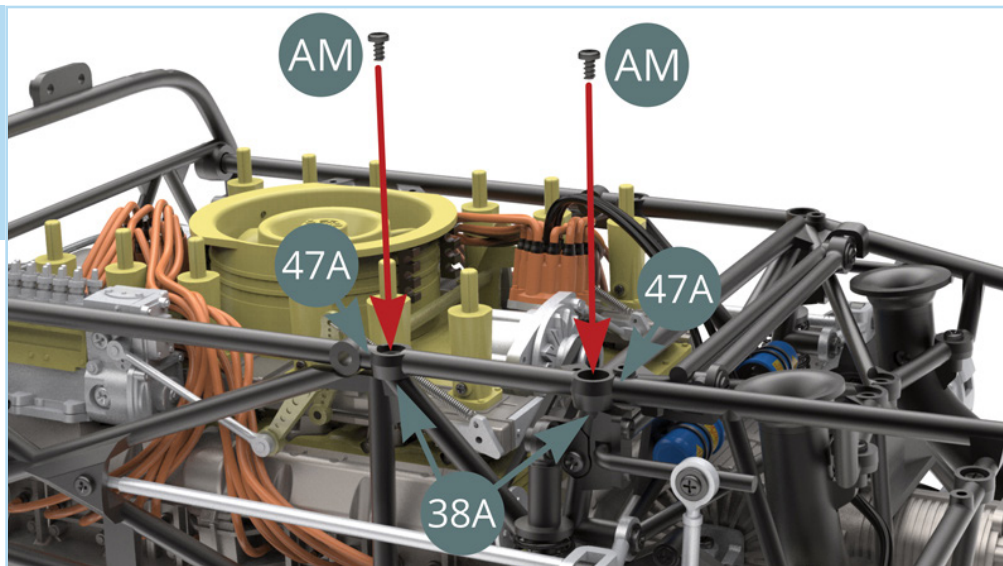
STAGE 49: ATTACHING THE UPPER FRAME TO THE LOWER FRAME

STEP 5

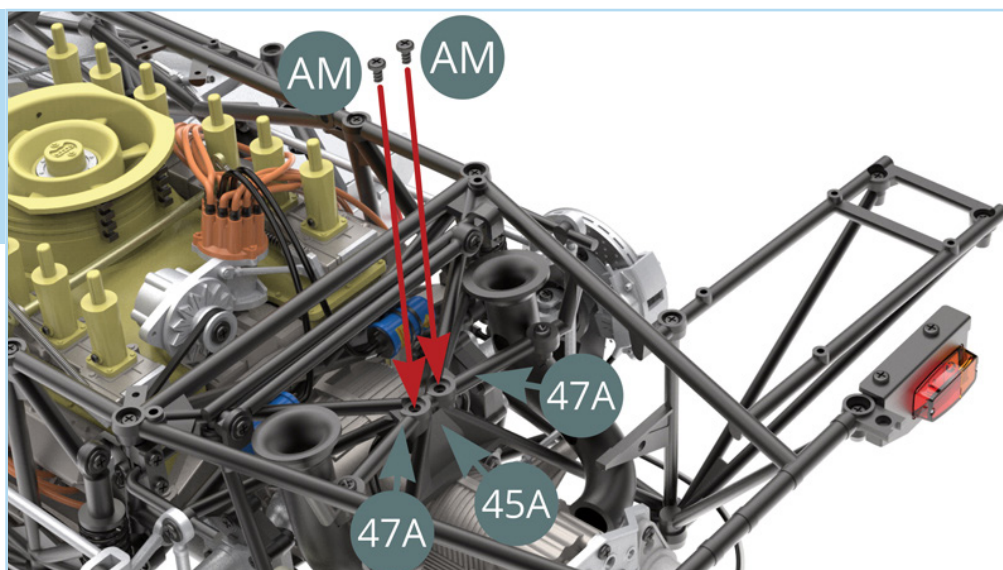
Start to fix the upper frame in place by driving two **AM** screws into the **right side frame (39A)**.



On the other side, drive two more **AM** screws through the **upper frame (47A)** and into the **left side frame (38A)**.

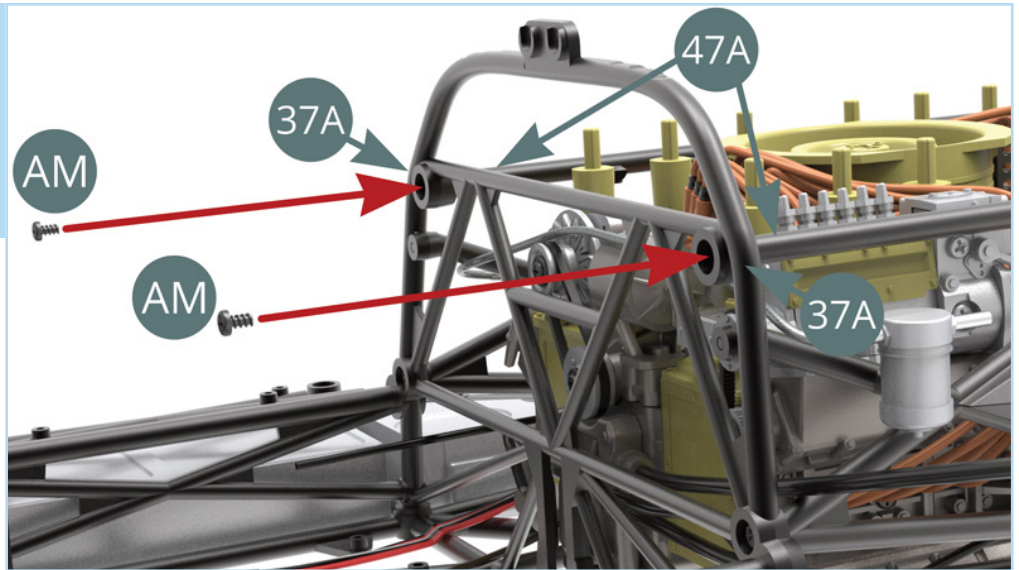


At the rear of the **upper frame (47A)** drive two **AM** screws through into the **reinforcement frame (45A)** as shown.

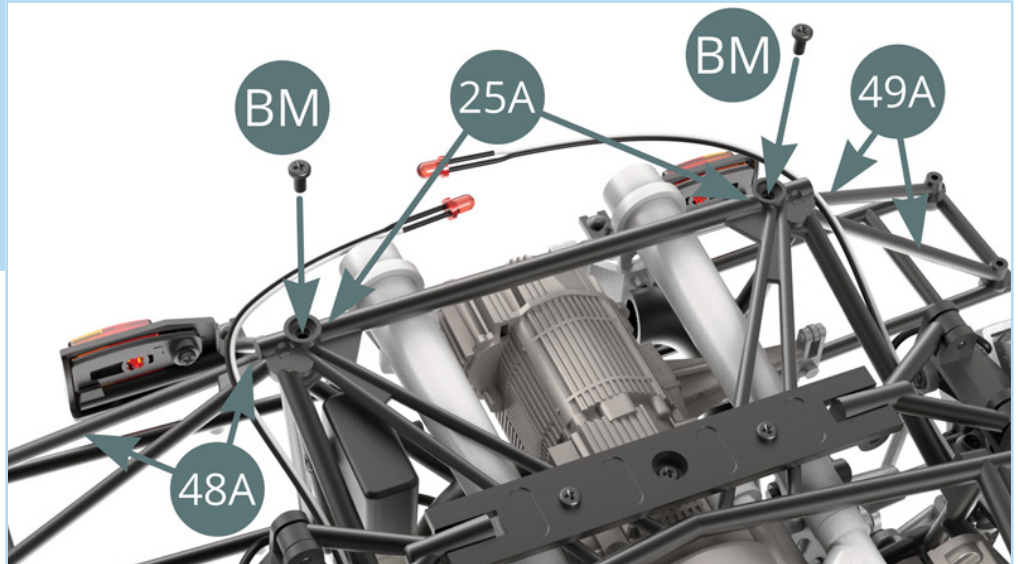


STAGE 49: ATTACHING THE UPPER FRAME TO THE LOWER FRAME

At the front of the frame, drive two **AM** screws through the **cockpit partition frame (37A)** into the **upper frame (47A)**.

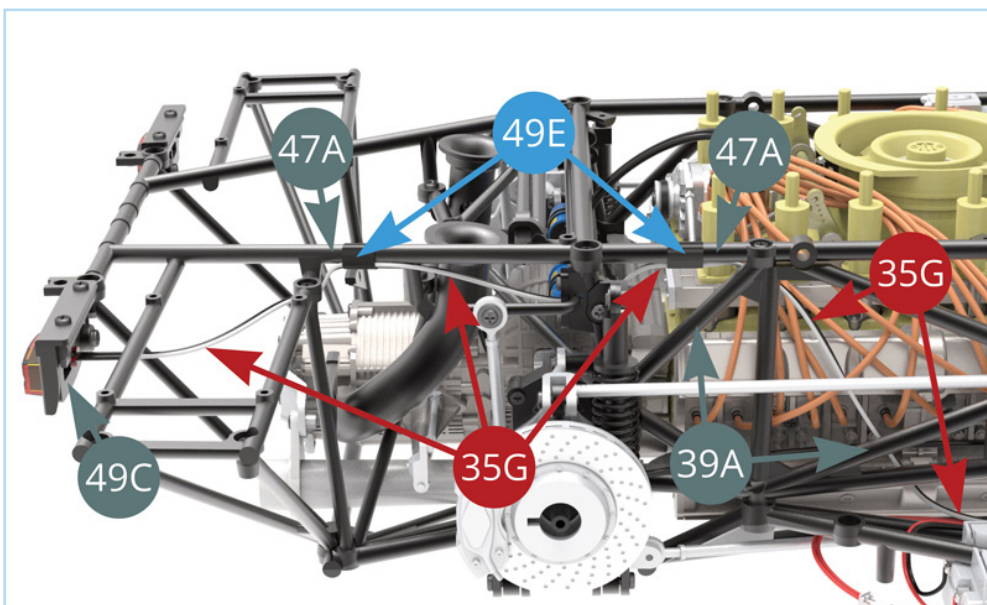


Turn the assembly over and drive two **BM** screws through the **lower frame (25A)** and into the **left tripod bar (48A)** and **right tripod bar (49A)** as shown.



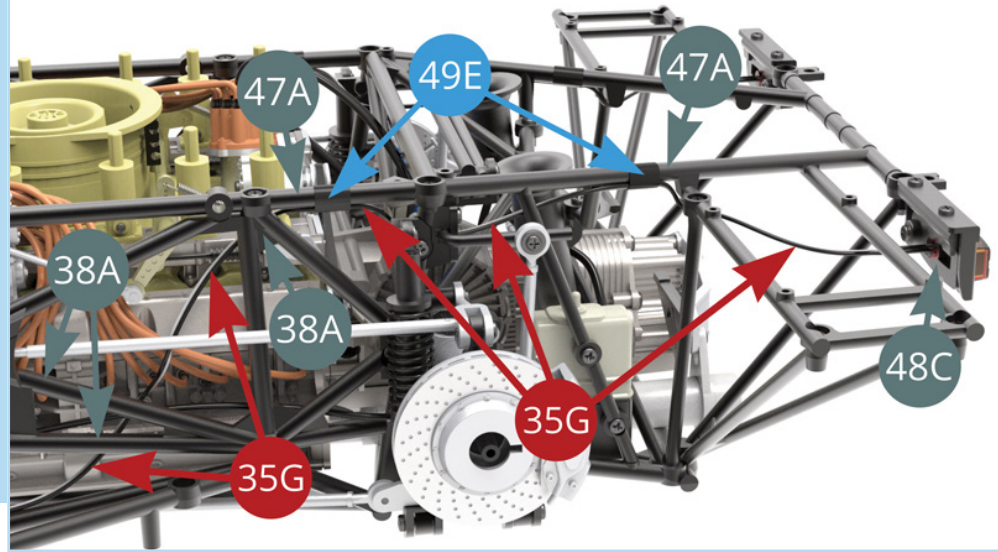
STEP 6

Turn the assembly back over and retrieve the **tail light LED cable (black-white) (35G)** and run it behind the **right side frame (39A)**. Attach it to the top bar of the **upper frame (47A)** using two pieces of **adhesive tape (49E)** as shown by the blue arrows. Insert the bulb at the end of the cable into the **right tail light reflector (49C)**.

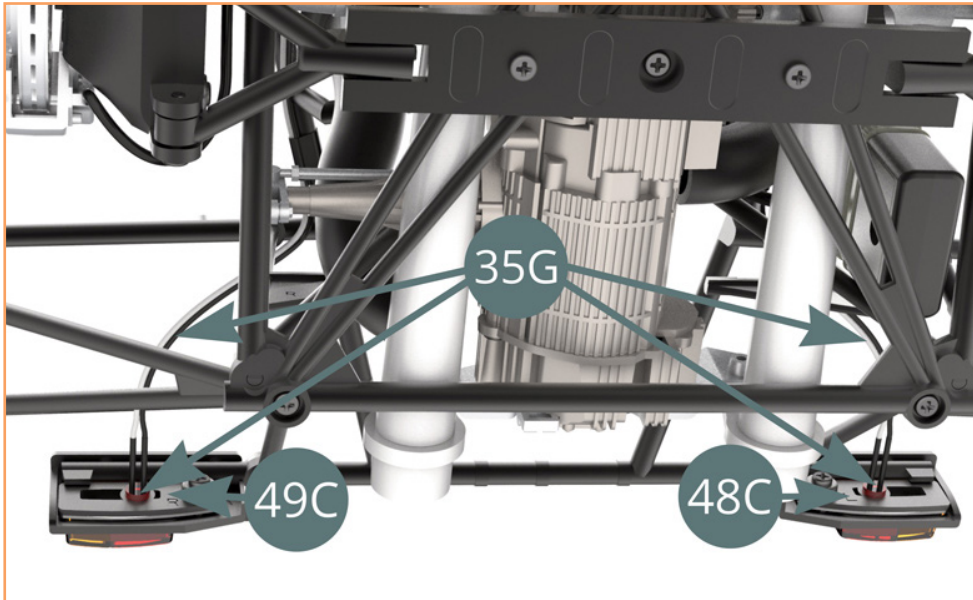


STAGE 49: ATTACHING THE UPPER FRAME TO THE LOWER FRAME

On the other side of the assembly, retrieve the other end of the **tail light LED cable (black-white) (35G)** and run it behind the **left side frame (38A)**. Attach it to the top bar of the **upper frame (47A)** using two pieces of **adhesive tape (49E)** as shown by the blue arrows. Insert the bulb at the end of the cable into the **left tail light reflector (48C)**.

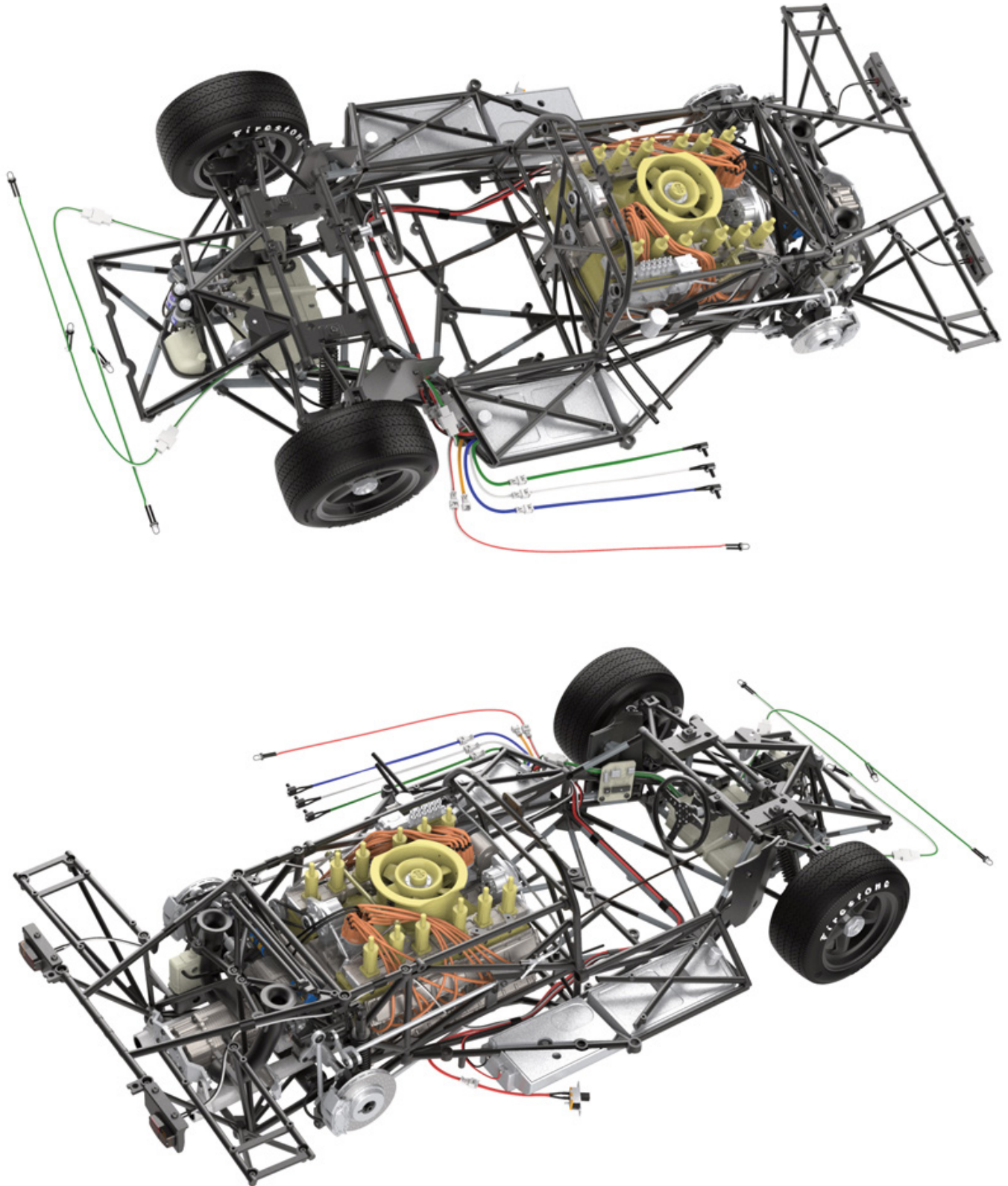


The upper frame has been installed. The tail light wiring has been secured to the frame and the LEDs have been fitted into their housing.



STAGE 49: ATTACHING THE UPPER FRAME TO THE LOWER FRAME

STAGE COMPLETE

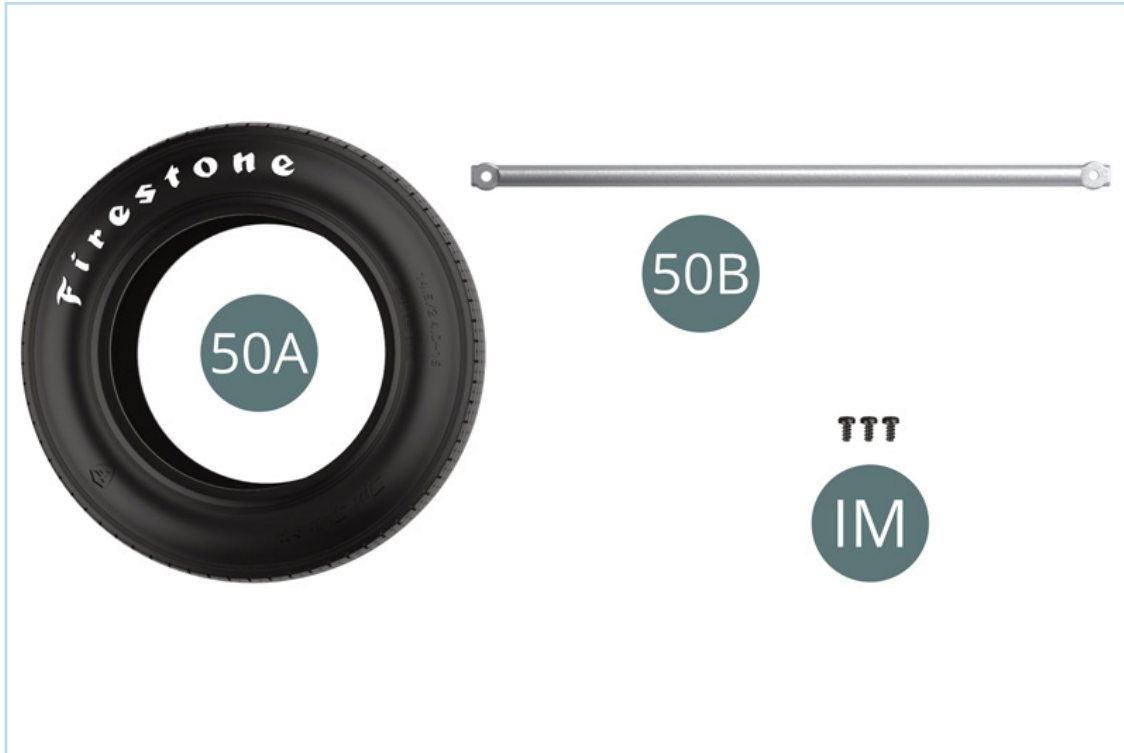


STAGE 50: FITTING THE FIRST REINFORCEMENT BAR

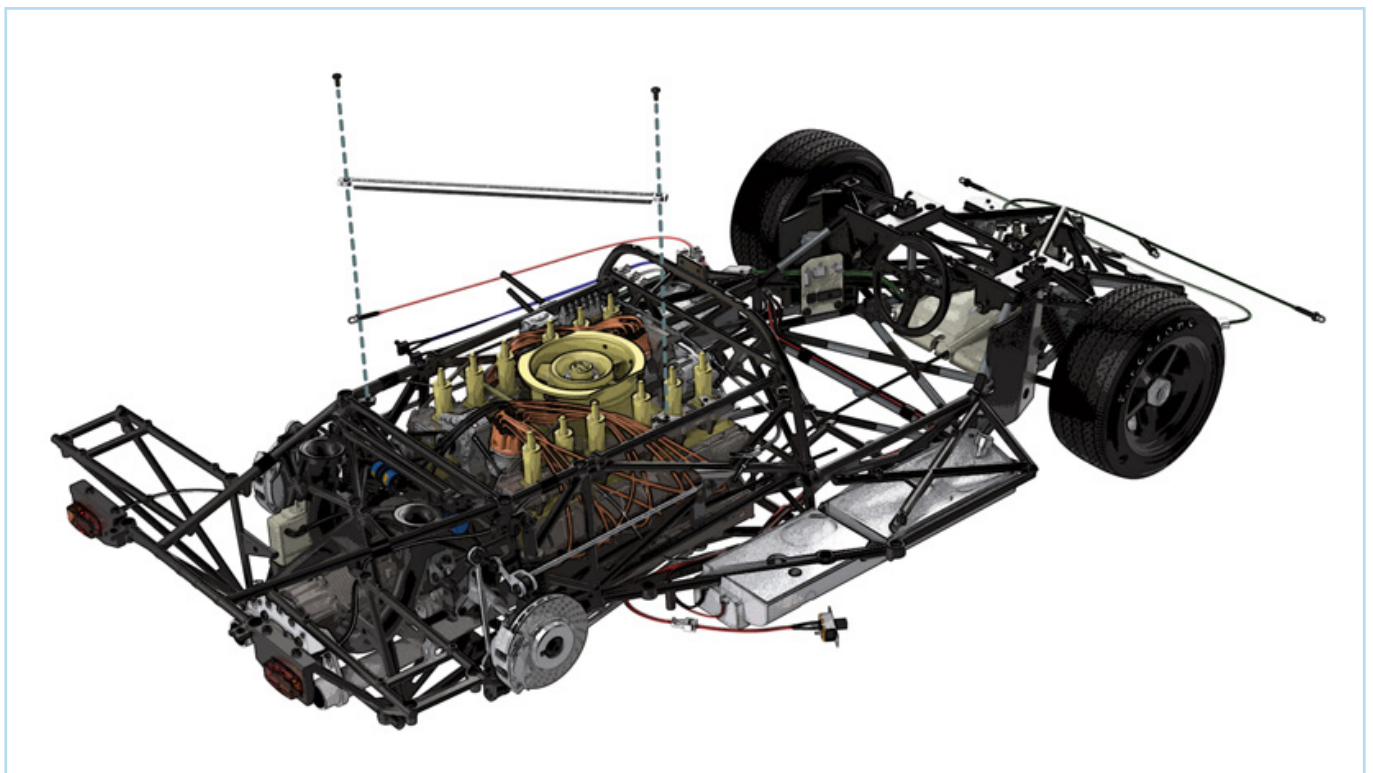
50A Rear left tyre

IM Screw 1.7 x 3.5 mm (x3)

50B Reinforcement bar

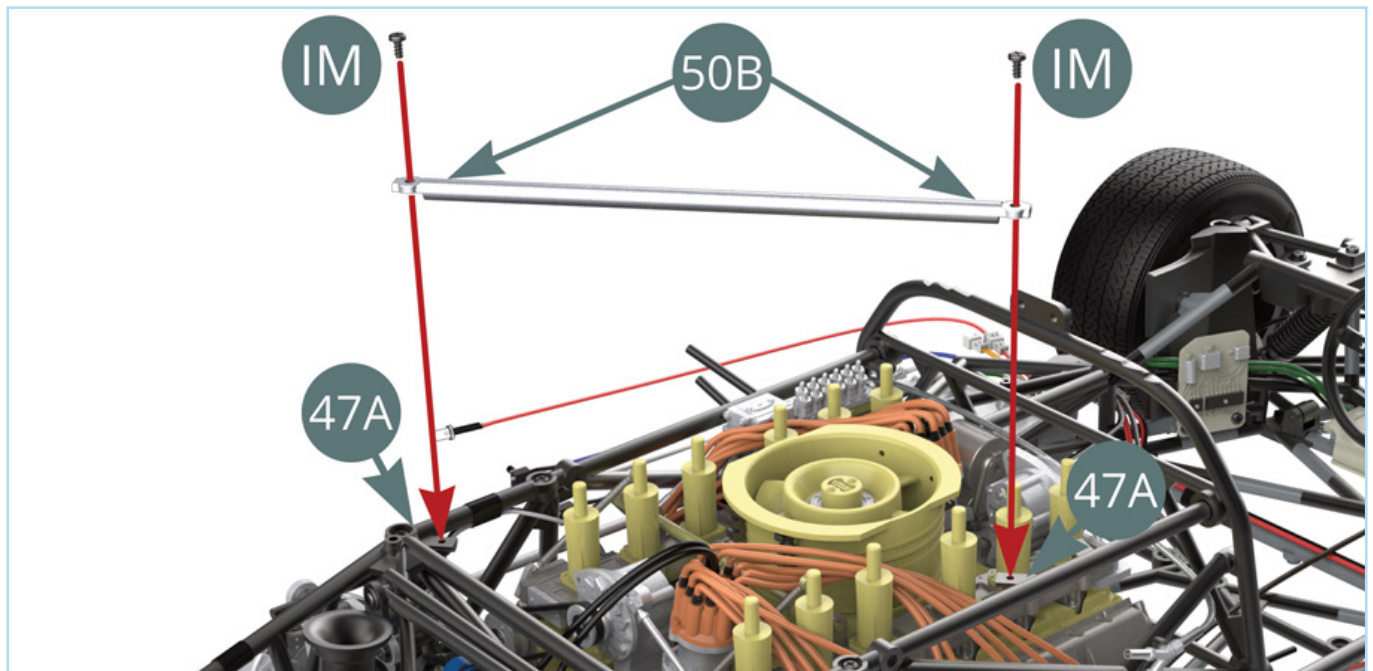


ASSEMBLY DIAGRAM

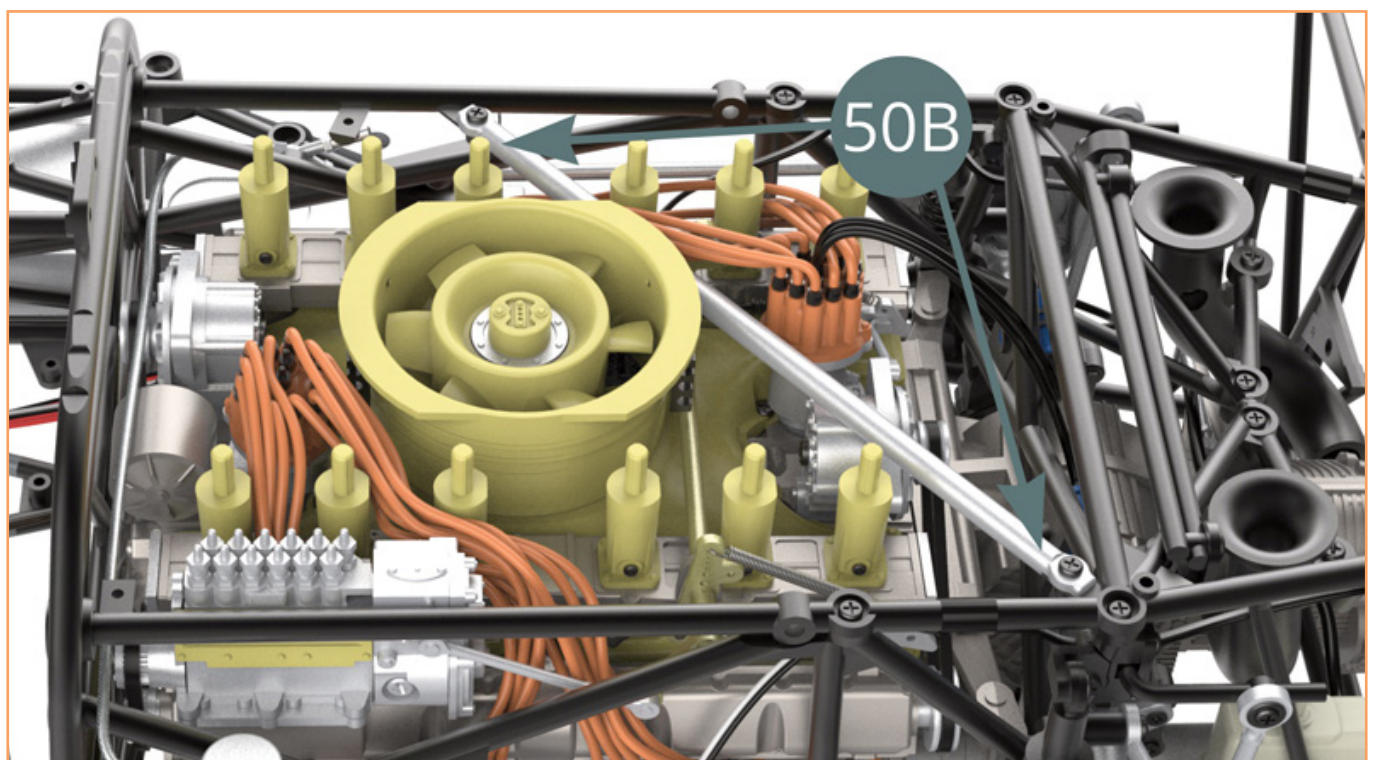


STAGE 50: FITTING THE FIRST REINFORCEMENT BAR

STEP 1



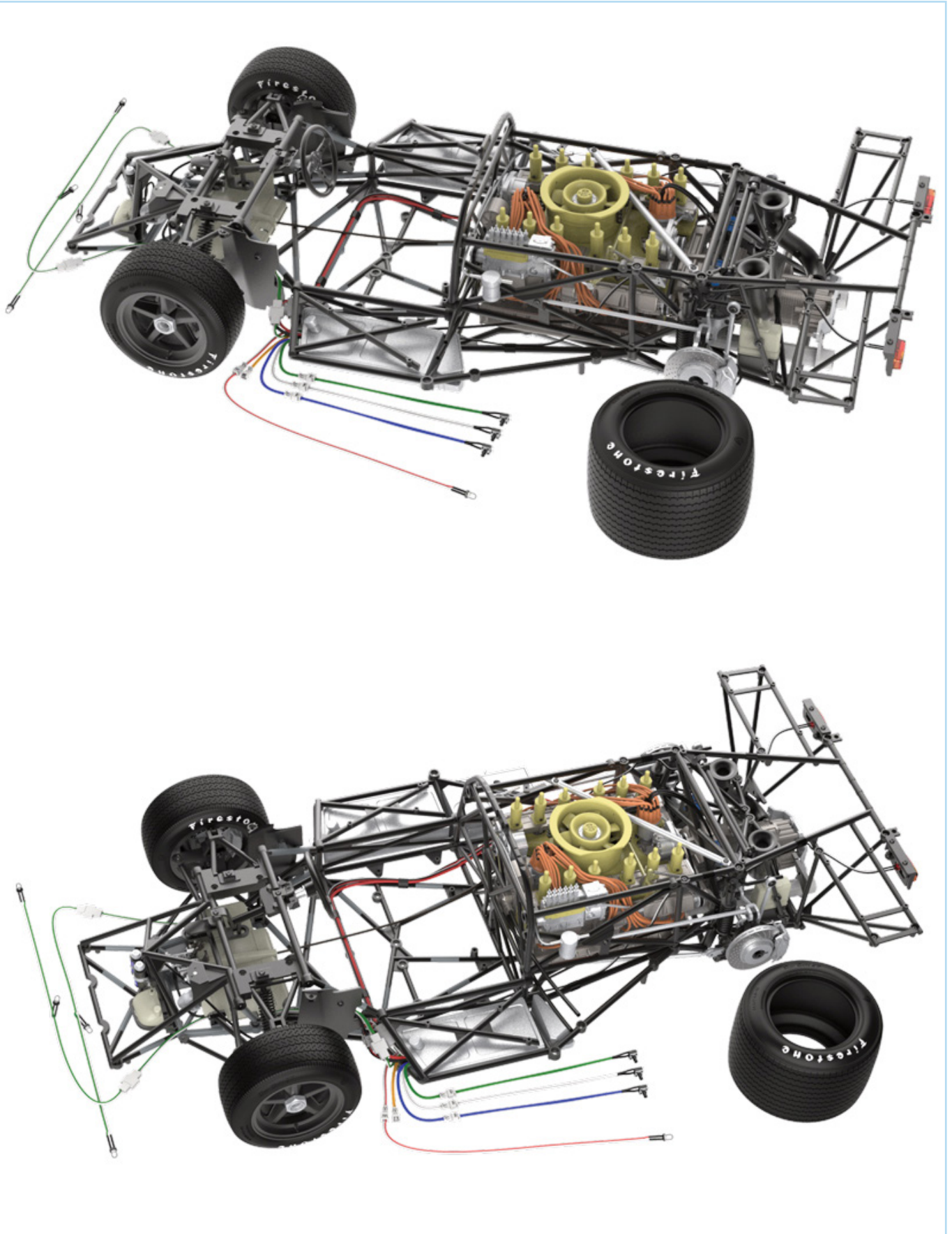
Align the **reinforcement bar (50B)** with the **upper frame (47A)** as shown. Place it onto the two tabs protruding from the frame and secure the bar using two **IM** screws.



The reinforcement bar should look like this once fixed in place.

STAGE 50: FITTING THE FIRST REINFORCEMENT BAR

STAGE COMPLETE



STAGE 51: ASSEMBLING AND ATTACHING THE REAR LEFT TYRE

51A Rear wheel outer rim

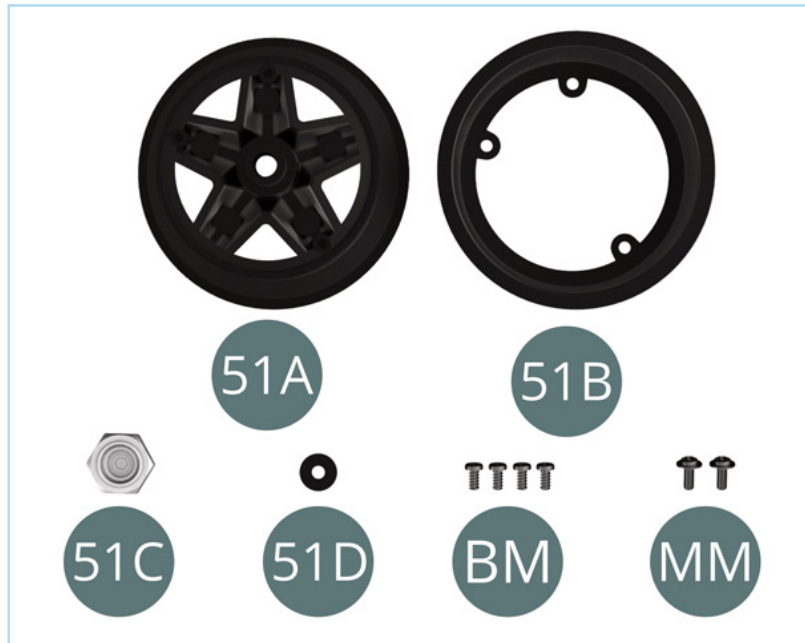
51B Rear wheel inner rim

51C Hub cap

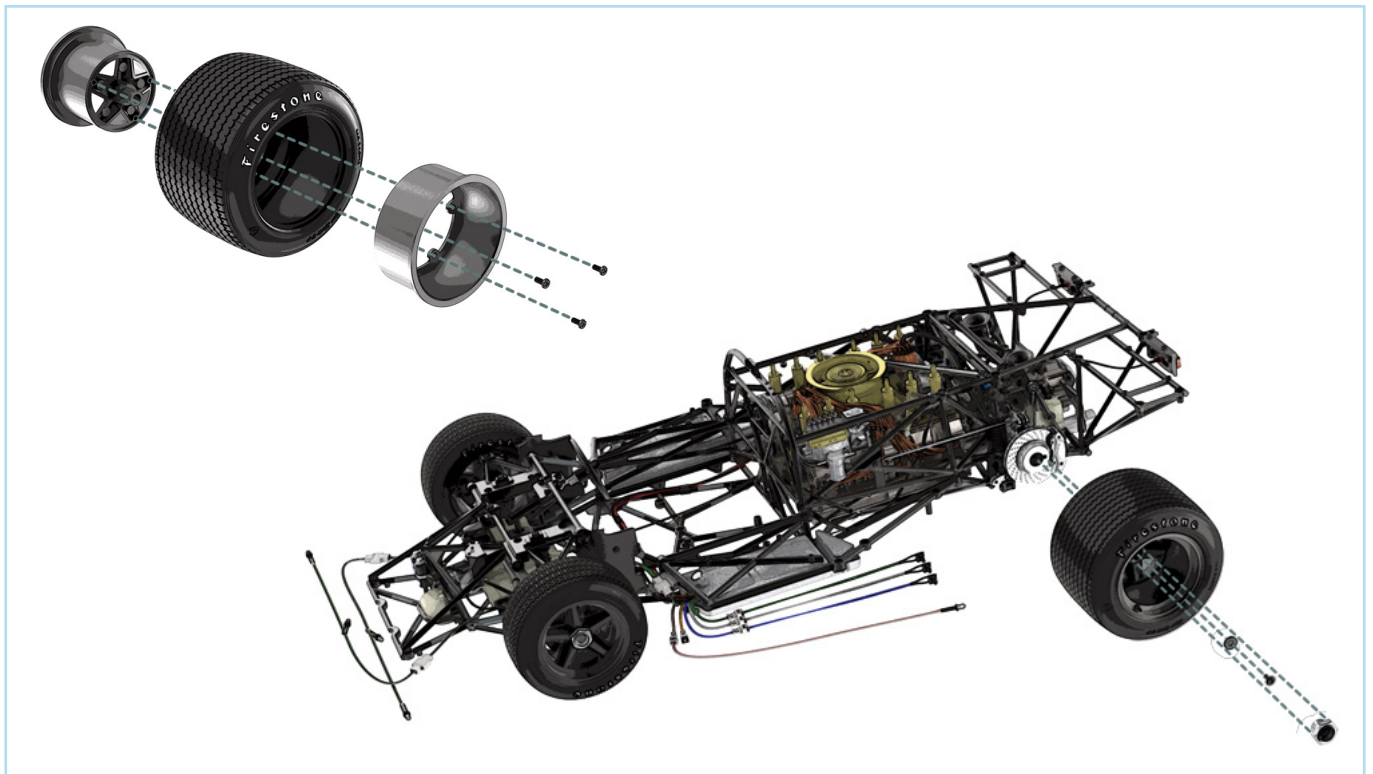
51D Washer

BM Screw 2 x 4 mm (x4)

MM Screw 2 x 5 x 5 mm (x2)



ASSEMBLY DIAGRAM



STAGE 51: ASSEMBLING AND ATTACHING THE REAR LEFT TYRE

STEP 1

Take the **rear left tyre (50A)** from the previous stage. The beads (highlighted red) are different depths: the shallowest (1 mm) is indicated by the orange arrow in the image.



The deepest bead (2 mm) of the tyre is indicated by the green arrow. Locate the side with the deepest bead for fitting the outer rim into the tyre.



STEP 2

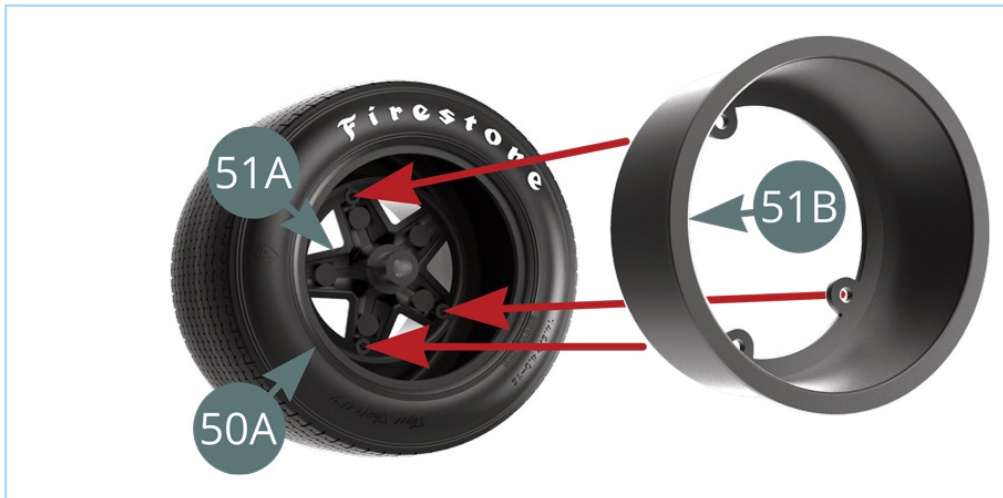
Align the **rear wheel outer rim (51A)** with the **rear left tyre (50A)** as shown. Press the outer rim into the tyre on the side with the deepest bead (green arrows).

You may wish to place the tyre in hot water for a minute to make it more flexible.



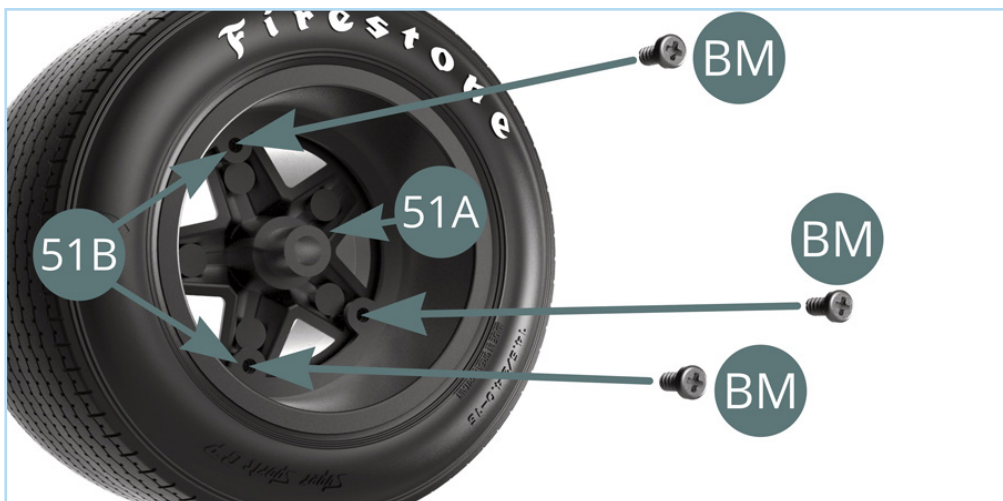
STAGE 51: ASSEMBLING AND ATTACHING THE REAR LEFT TYRE

STEP 3



Turn the tyre around and fit the **rear wheel inner rim (51B)** into the other side, aligning the three holes with the fixing points of the **outer rim (51A)** as shown by the red arrows.

STEP 4



Use three **BM** screws to fix the inner rim and outer rim together.

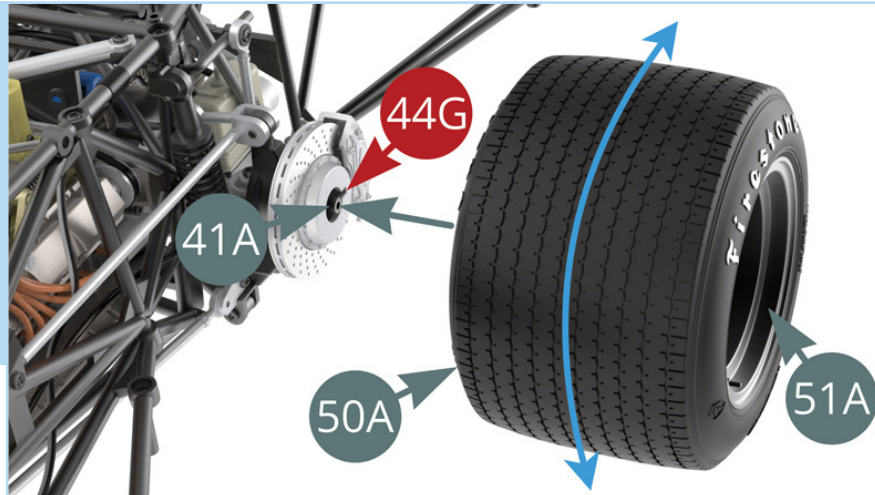
Identify the locking groove (red arrow) located on the column of the **outer rim (51A)**.



STAGE 51: ASSEMBLING AND ATTACHING THE REAR LEFT TYRE

STEP 5

Position the **outer rim (51A)** of the tyre onto the pin of the **rear left upright (41A)** and rotate the wheel until the locking groove engages with the slot of the **brake disc (44G)**, as shown by the blue arrow.

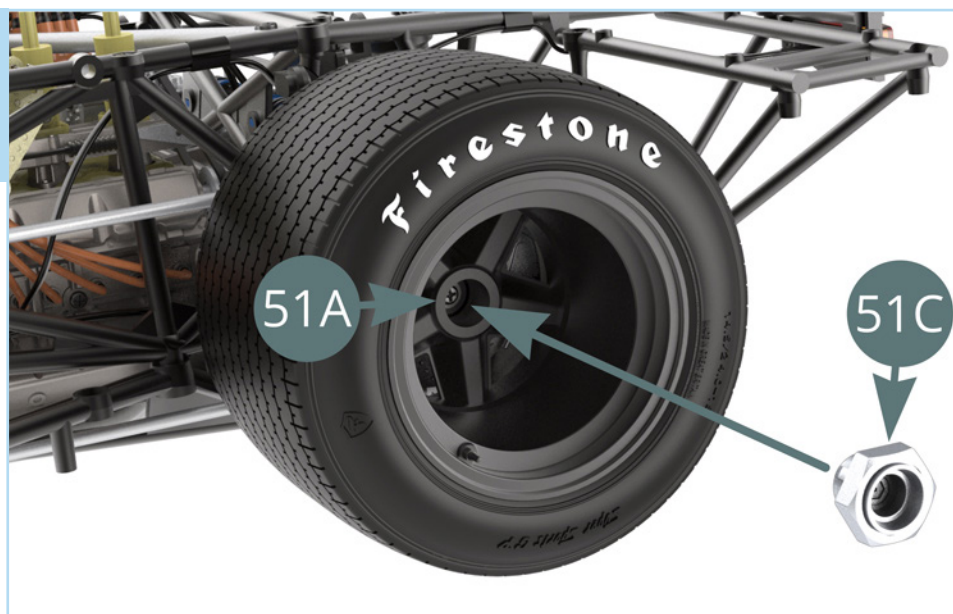


STEP 6



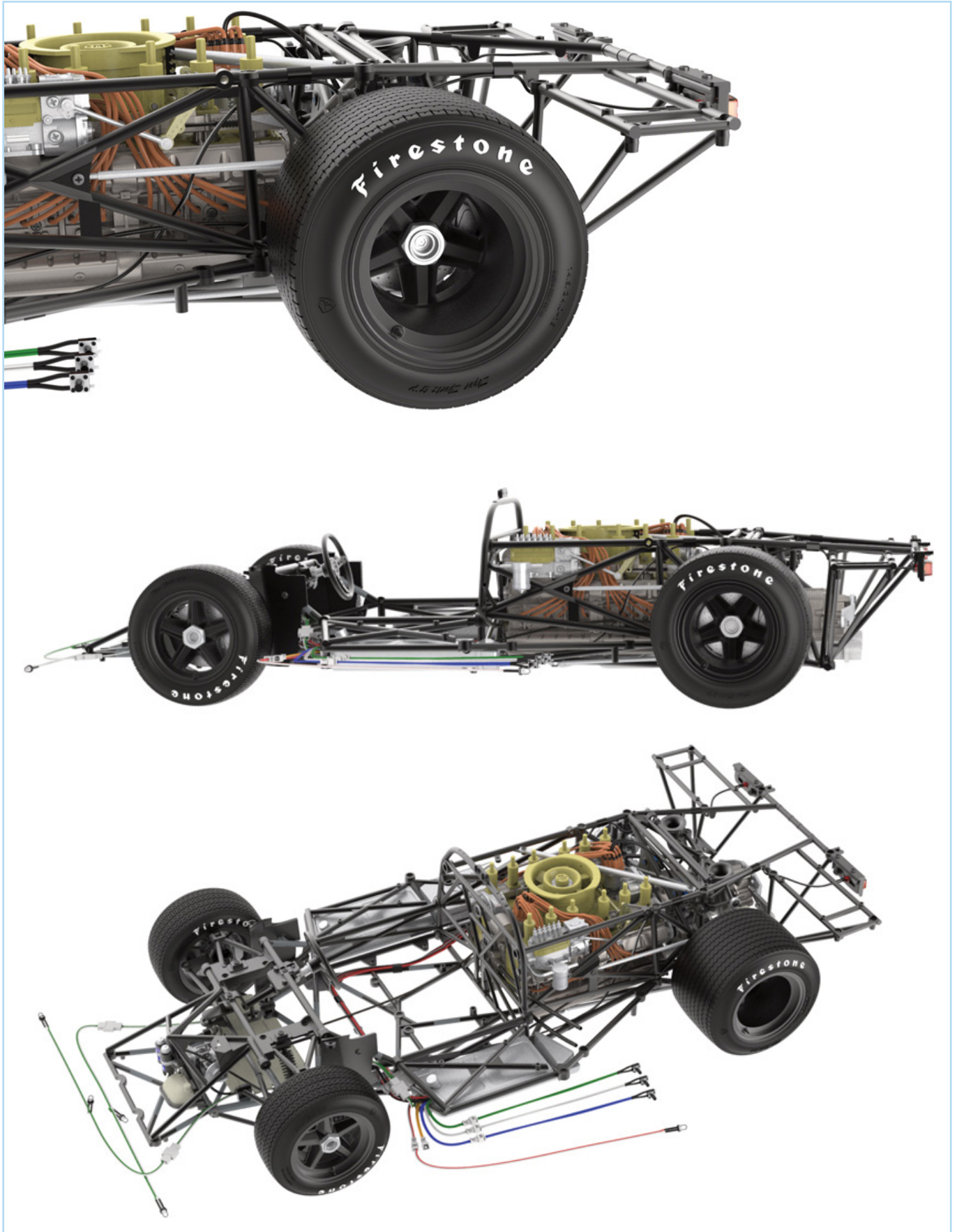
Take an **MM** screw and fit it through the **washer (51D)** then use it to secure the rear left tyre in place.

Once the tyre is firmly secured, fit the **hub cover (51C)** into the **outer rim (51A)**.



STAGE 51: ASSEMBLING AND ATTACHING THE REAR LEFT TYRE

STAGE COMPLETE

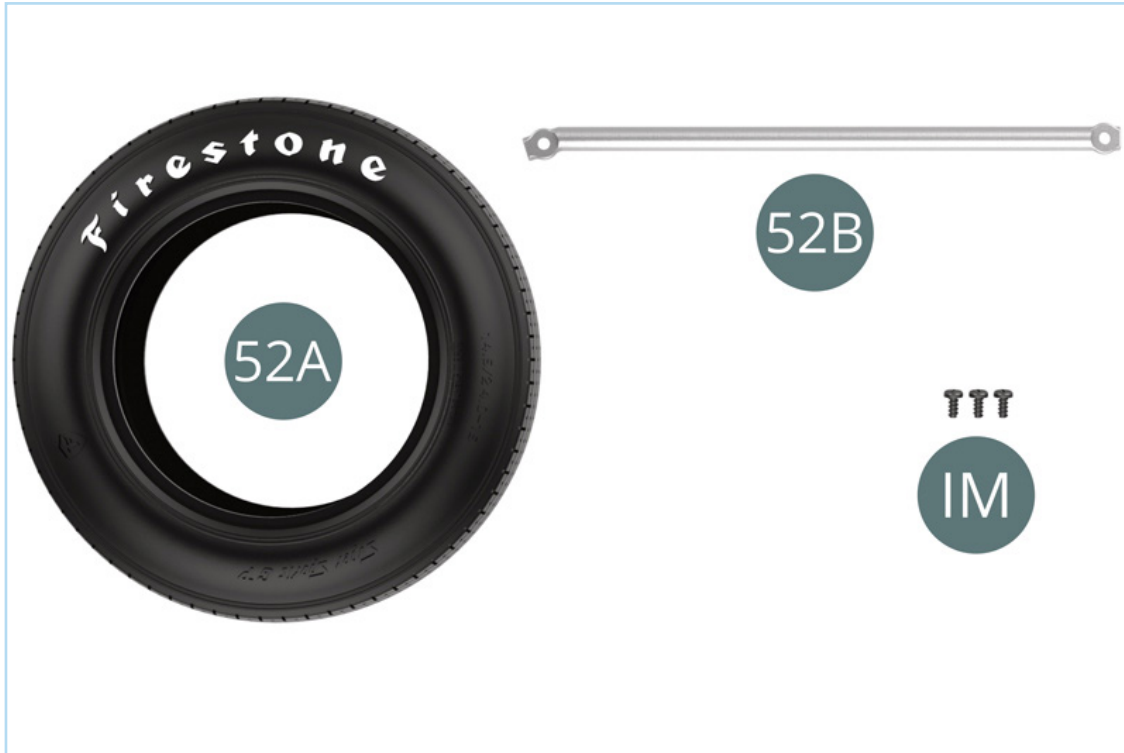


STAGE 52: FITTING THE SECOND REINFORCEMENT BAR

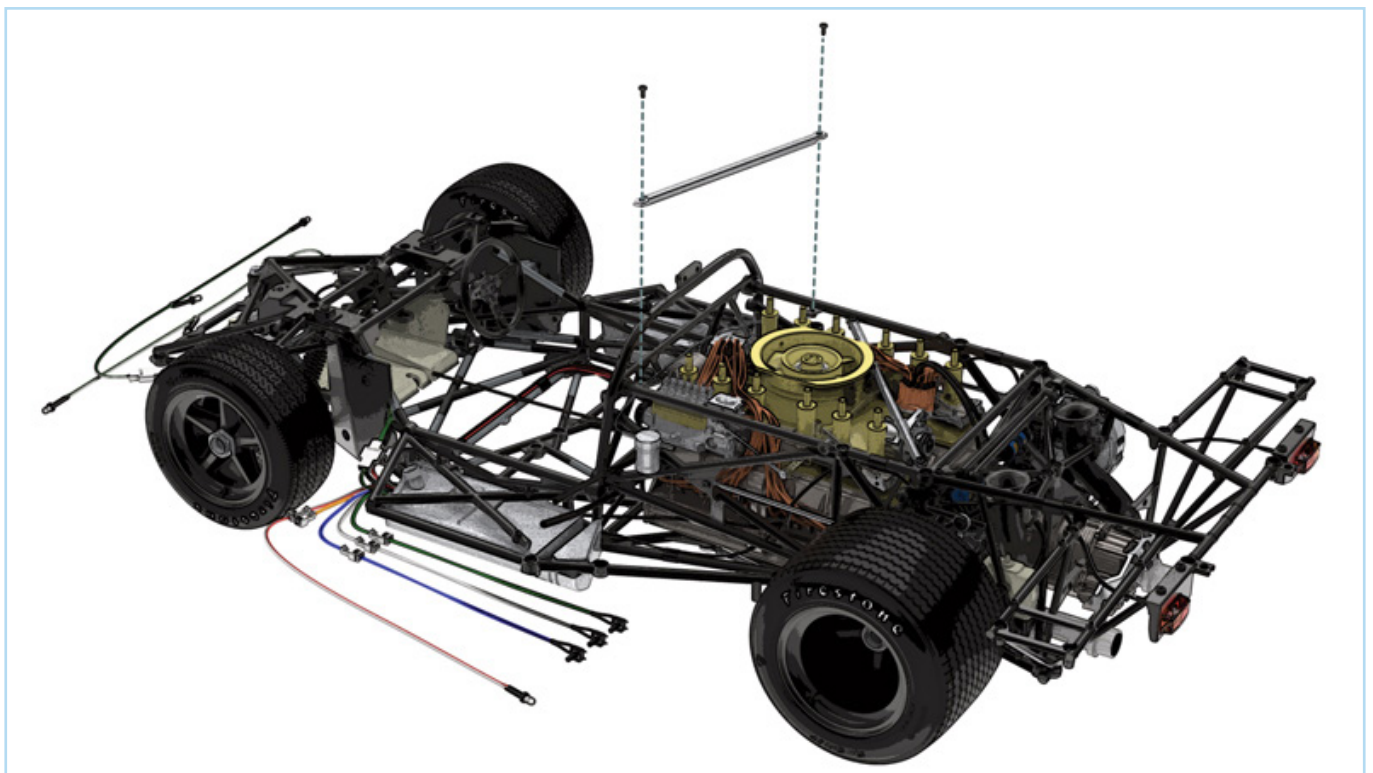
52A Rear right tyre

IM Screw 1.7 x 3.5 mm (x3)

52B Reinforcement bar

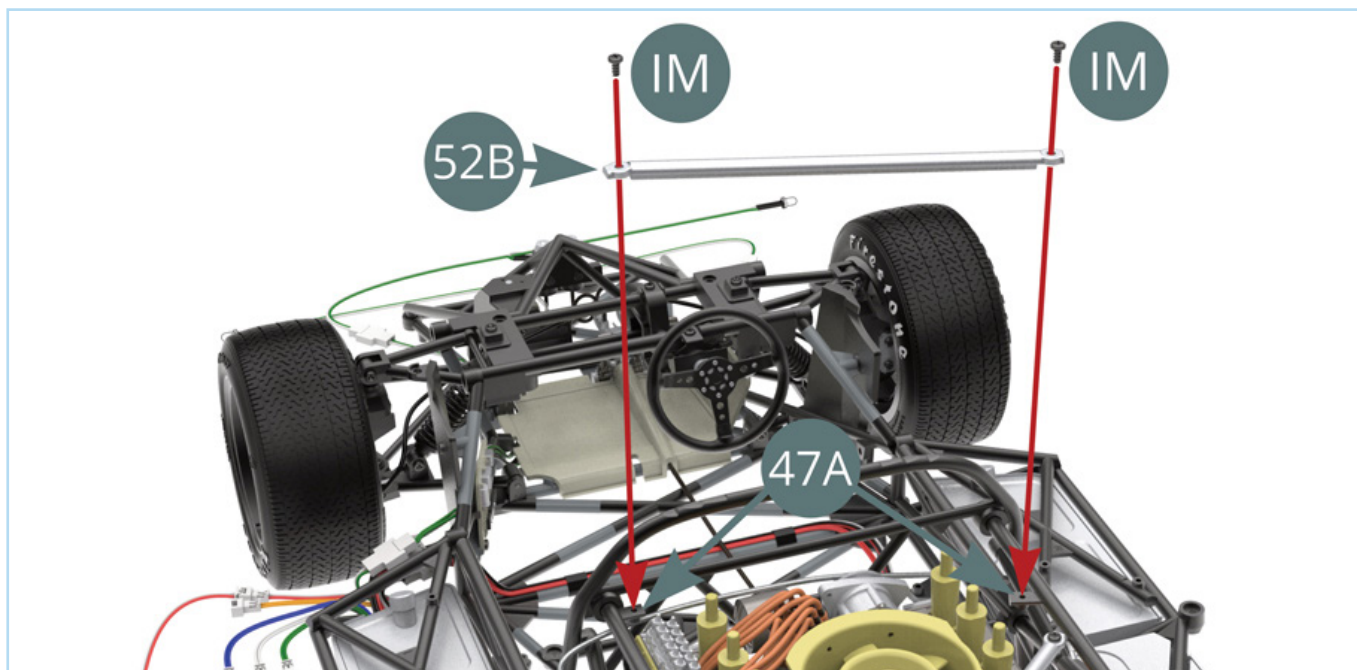


ASSEMBLY DIAGRAM

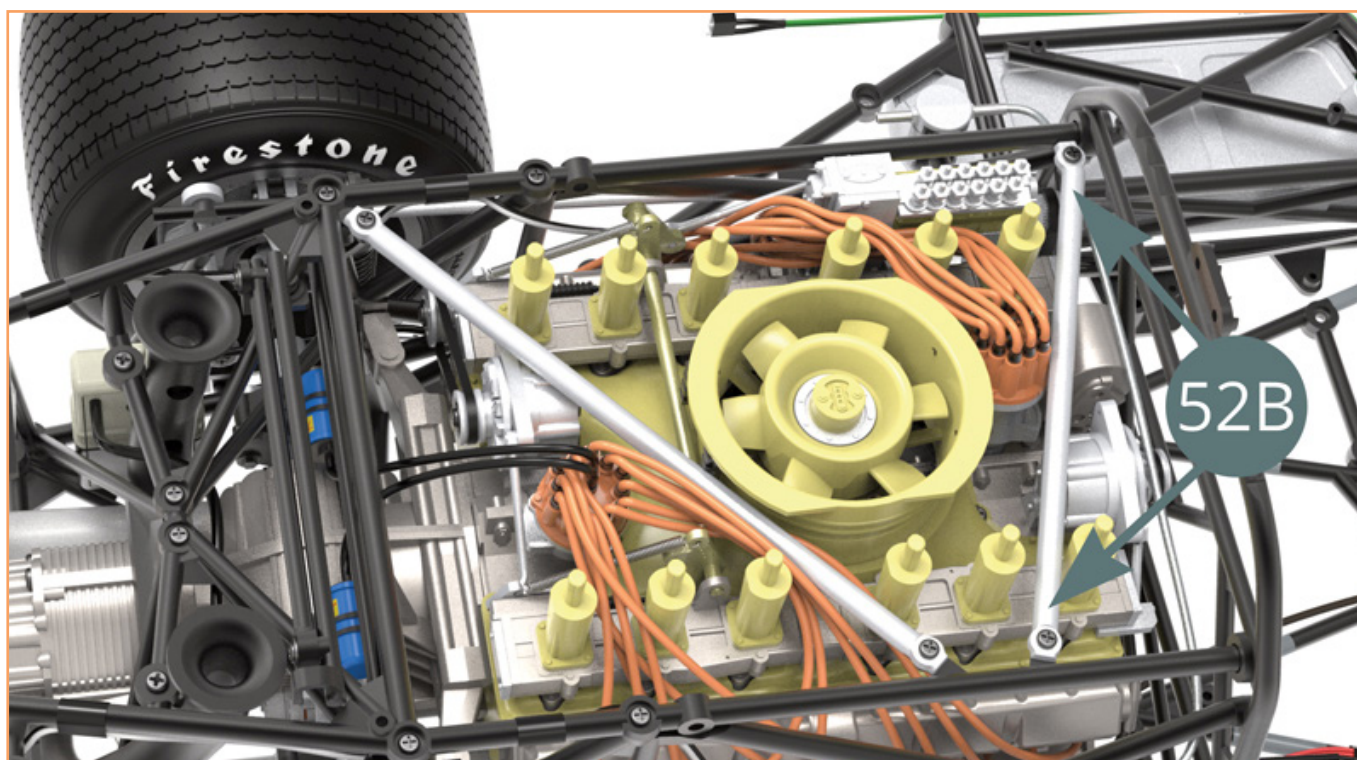


STAGE 52: FITTING THE SECOND REINFORCEMENT BAR

STEP 1



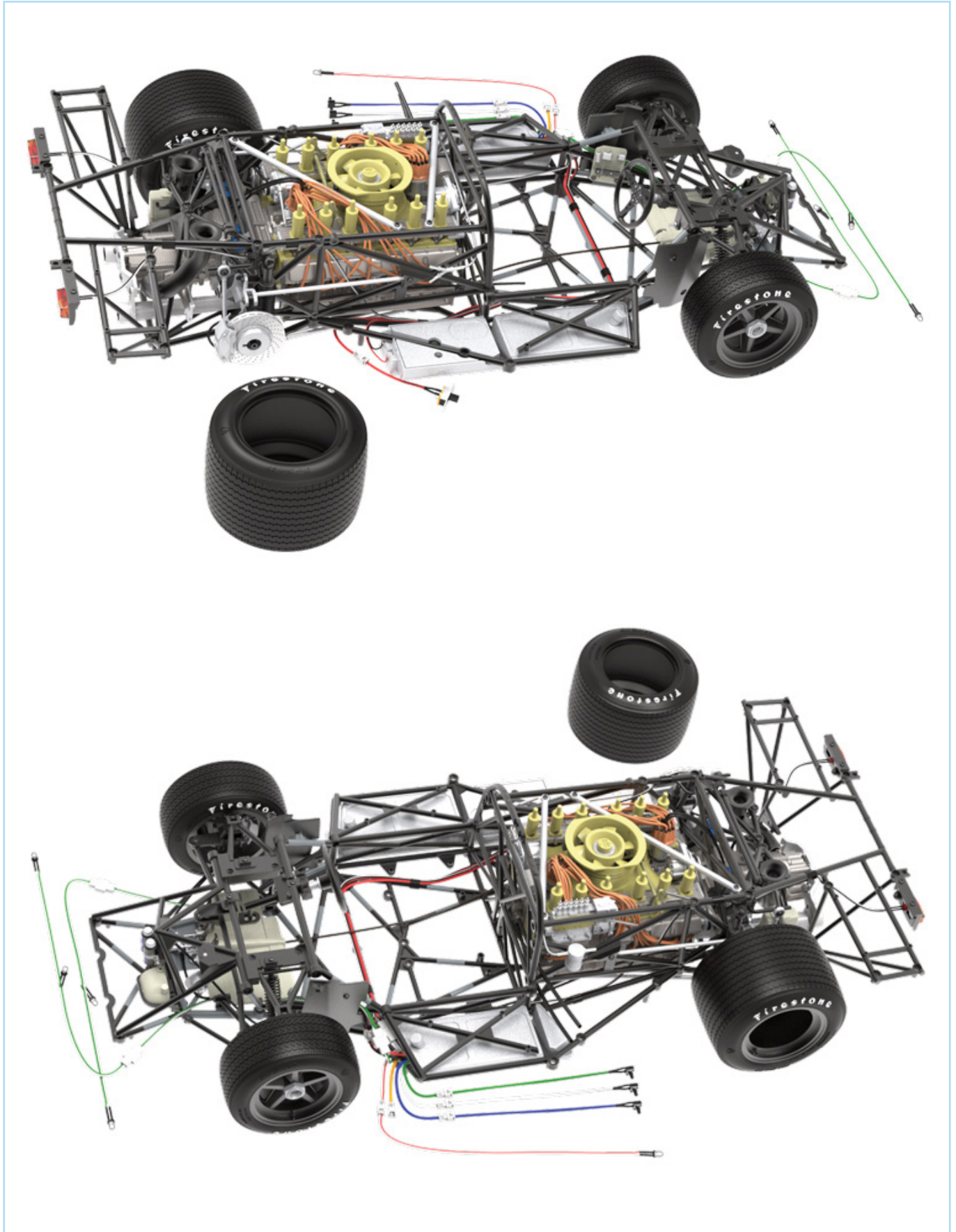
Align the **reinforcement bar (52B)** with the **upper frame (47A)** as shown. Place it onto the two tabs protruding from the frame and secure the bar using two **IM** screws.



The reinforcement bar should look like this once fixed in place.

STAGE 52: FITTING THE SECOND REINFORCEMENT BAR

STAGE COMPLETE



STAGE 53: ASSEMBLING AND ATTACHING THE REAR RIGHT TYRE

53A Rear wheel outer rim

53B Rear wheel inner rim

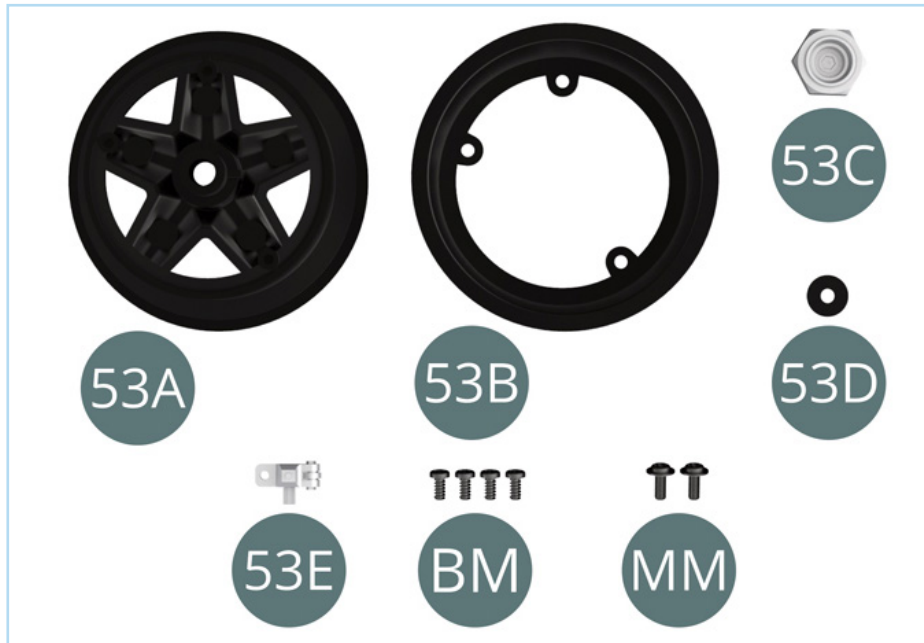
53C Hub cap

53D Washer

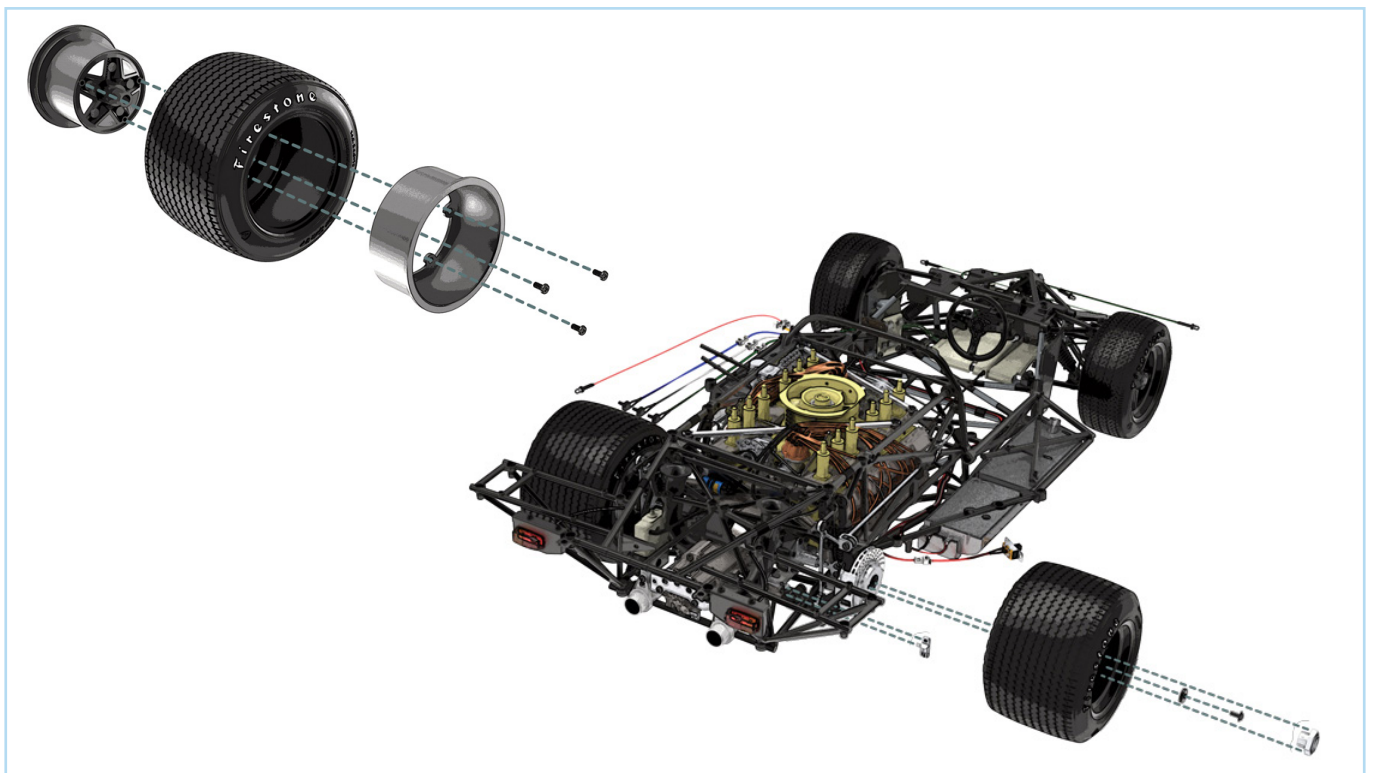
53E Support bracket

BM Screw 2 x 4 mm (x4)

MM Screw 2 x 5 x 5 mm (x2)



ASSEMBLY DIAGRAM



STAGE 53: ASSEMBLING AND ATTACHING THE REAR RIGHT TYRE

STEP 1

Take the **rear right tyre (52A)** from the previous stage. The beads (highlighted red) are different depths: the shallowest (1 mm) is indicated by the orange arrow in the image.



The deepest bead (2 mm) of the tyre is indicated by the green arrow. Locate the side with the deepest bead for fitting the outer rim into the tyre.



STEP 2

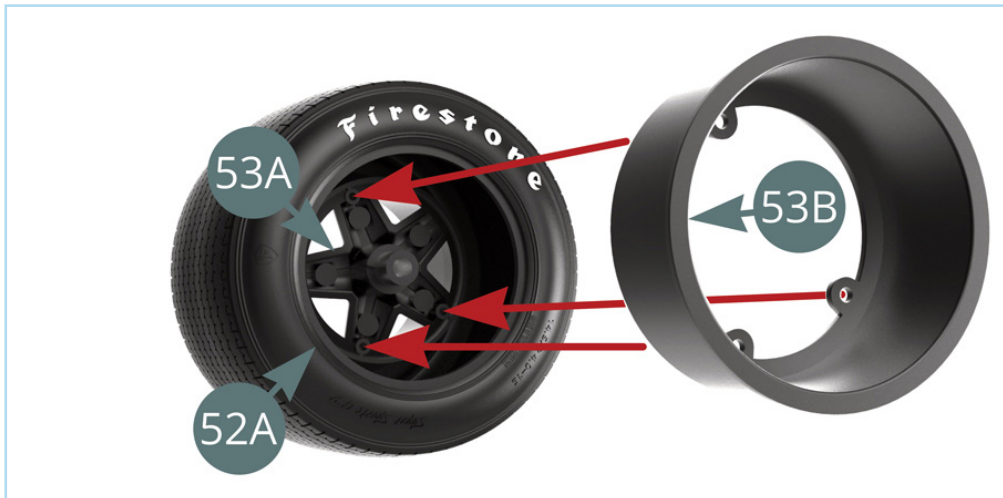
Align the **rear wheel outer rim (53A)** with the **rear right tyre (52A)** as shown. Press the outer rim into the tyre on the side with the deepest bead (green arrows).

You may wish to place the tyre in hot water for a minute to make it more flexible.



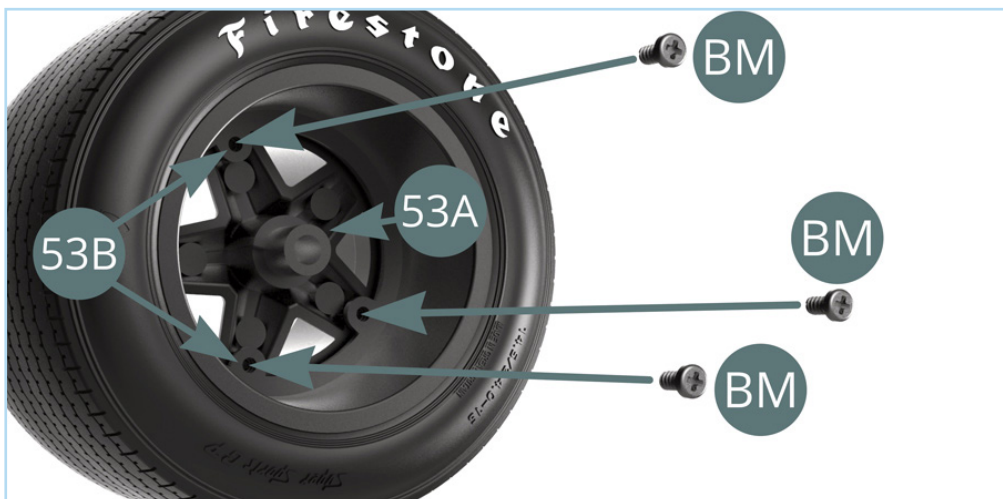
STAGE 53: ASSEMBLING AND ATTACHING THE REAR RIGHT TYRE

STEP 3



Turn the tyre around and fit the **rear wheel inner rim (53B)** into the other side, aligning the three holes with the fixing points of the **outer rim (53A)** as shown by the red arrows.

STEP 4



Use three **BM** screws to fix the inner rim and outer rim together.

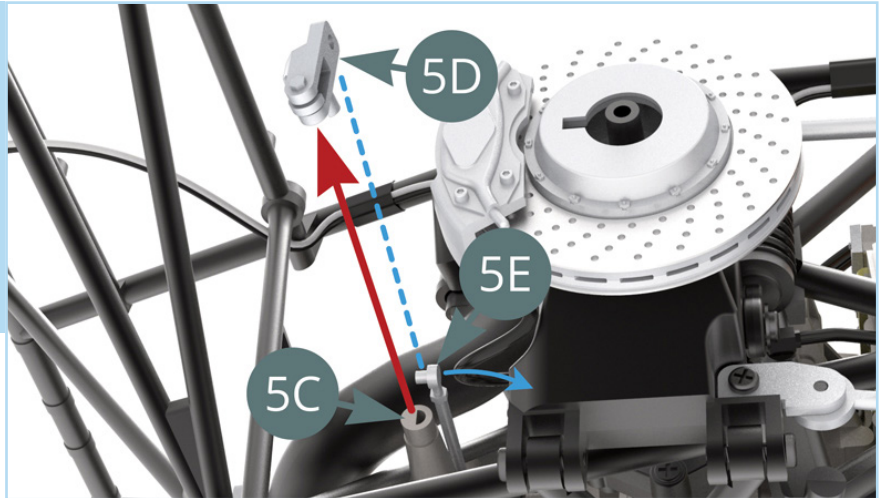
Identify the locking groove (red arrow) located on the column of the **outer rim (53A)**.



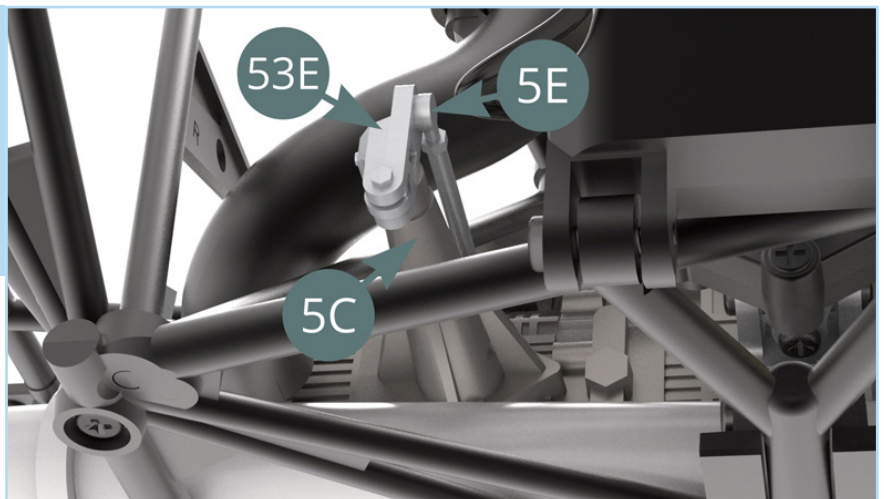
STAGE 53: ASSEMBLING AND ATTACHING THE REAR RIGHT TYRE

STEP 5

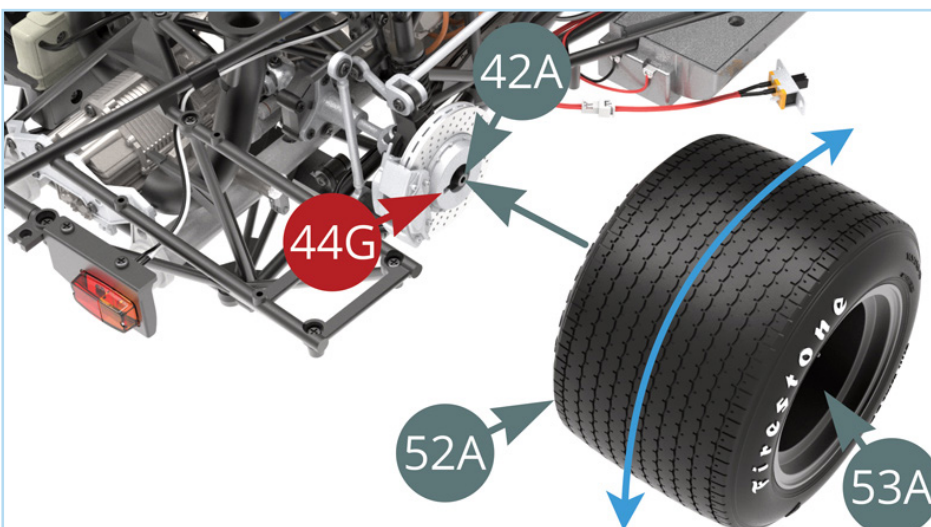
Before attaching the rear right tyre, remove the **support bracket (5D)** from the **gearbox support lever (5C)** and **stabilizing rod (5E)**. Pull the rod out of the bracket as shown by the blue arrow, then remove the bracket from the support lever as shown by the red arrow.



Replace the removed bracket with the **support bracket (53E)** supplied with this stage. Press it into the D-shaped hole of the **gearbox support lever (5C)** then fit the pin of the **stabilizing rod (5E)** into the bracket.



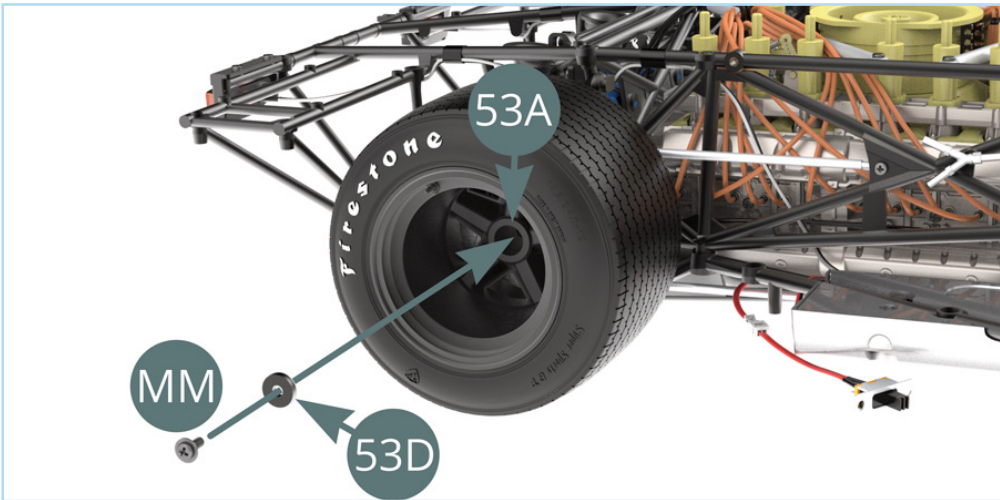
STEP 6



Position the **outer rim (53A)** of the tyre onto the pin of the **rear right upright (42A)** and rotate the tyre until the locking groove engages with the slot of the **brake disc (44G)**.

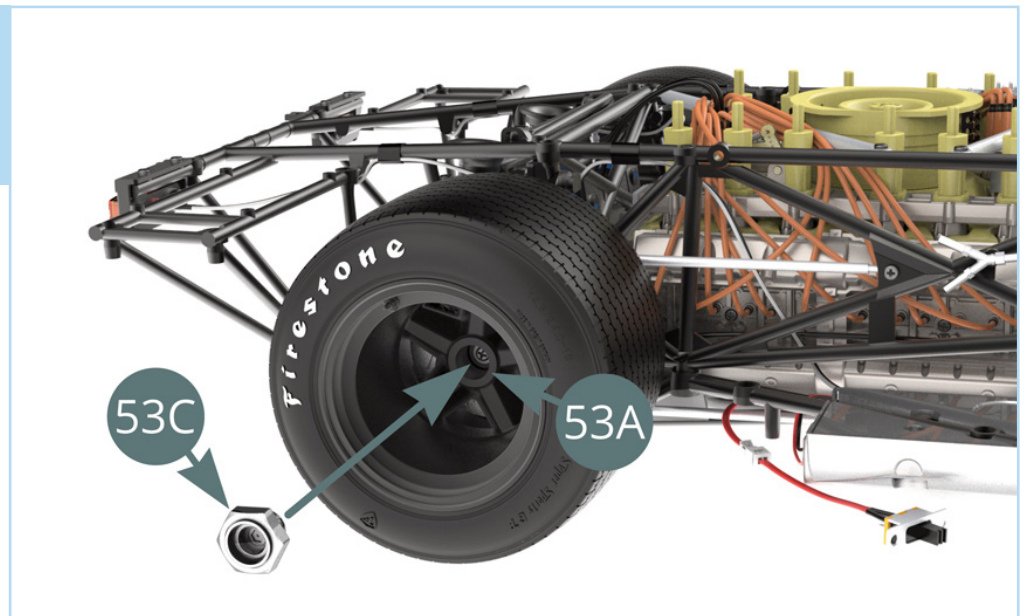
STAGE 53: ASSEMBLING AND ATTACHING THE REAR RIGHT TYRE

STEP 7



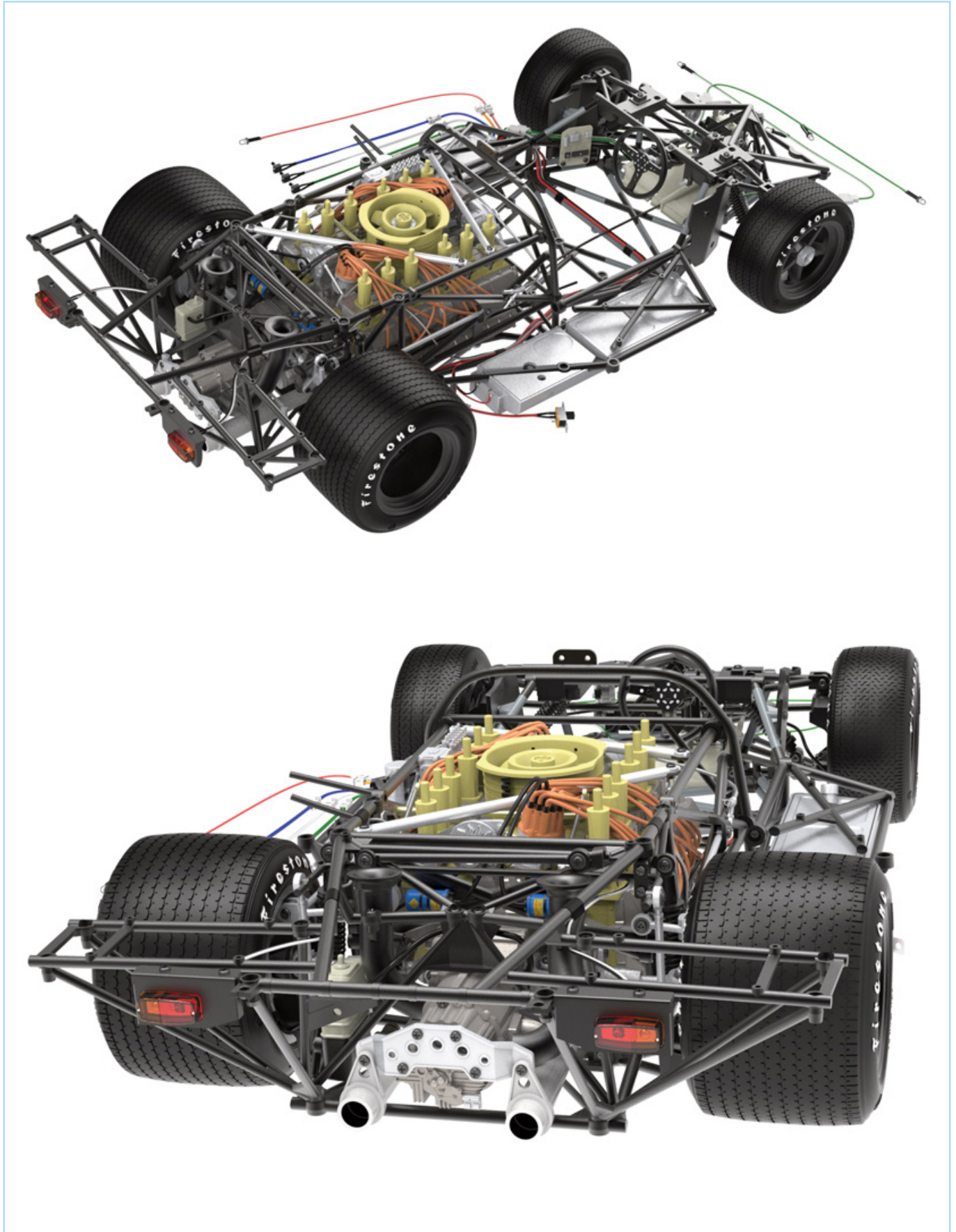
Take an **MM** screw and fit it through the **washer (53D)** then use it to secure the rear right tyre in place.

Once the tyre is firmly secured, fit the **hub cover (53C)** into the **outer rim (53A)**.



STAGE 53: ASSEMBLING AND ATTACHING THE REAR RIGHT TYRE

STAGE COMPLETE



STAGE 54: CONSTRUCTING THE COCKPIT BULKHEAD

54A Cockpit bulkhead

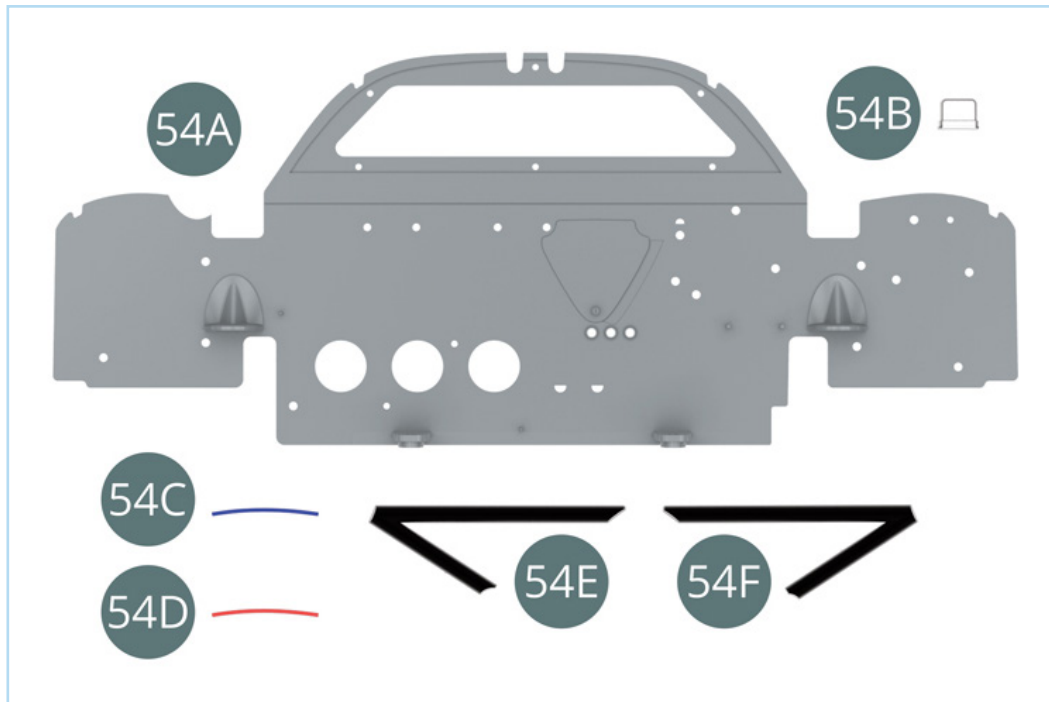
54B Voltage regulator

54C Electrical cable (blue)

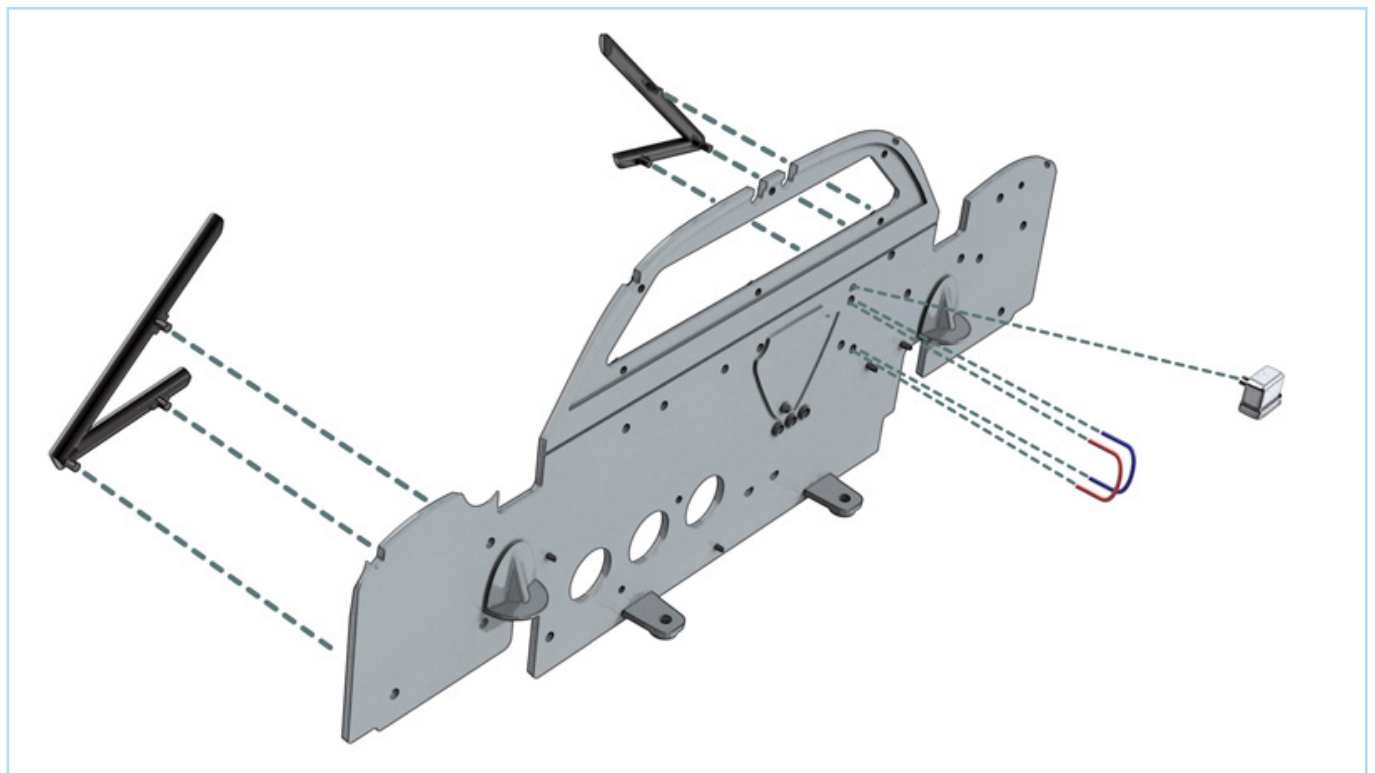
54D Electrical cable (red)

54E Left tubular frame post

54F Right tubular frame post



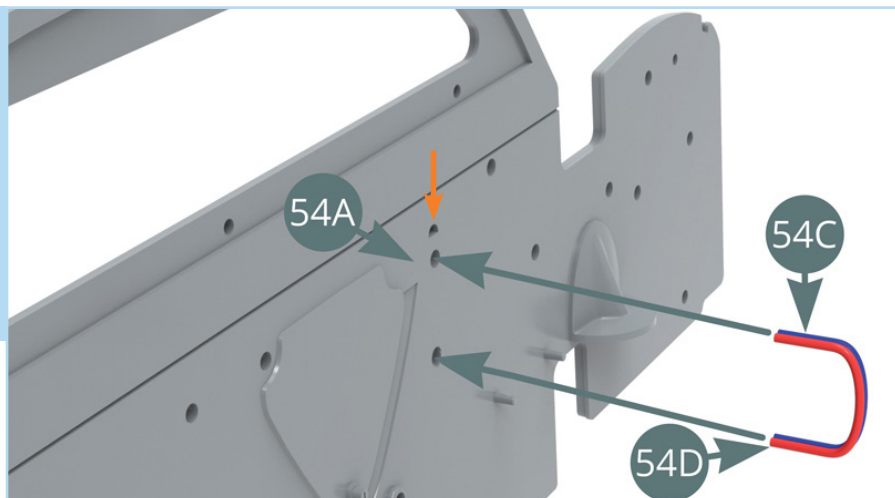
ASSEMBLY DIAGRAM



STAGE 54: CONSTRUCTING THE COCKPIT BULKHEAD

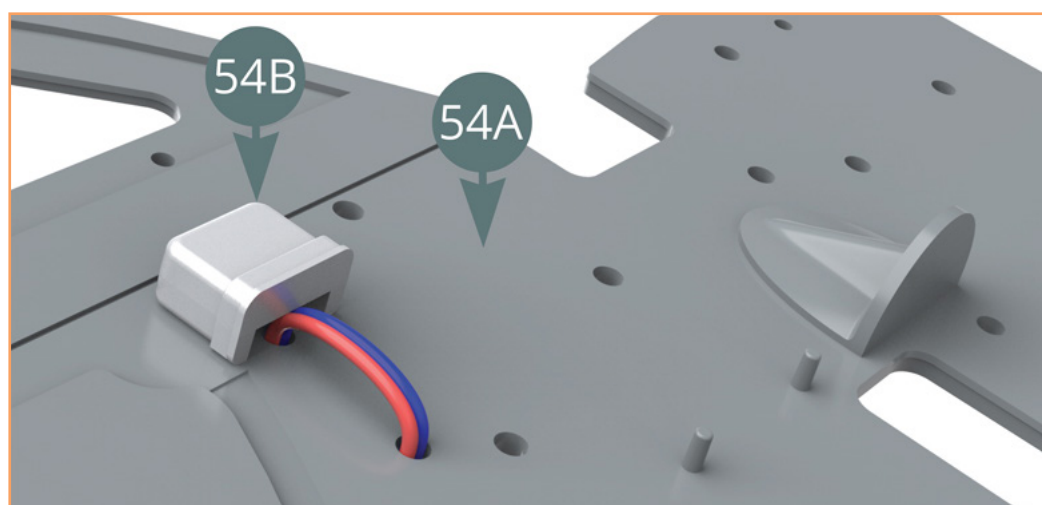
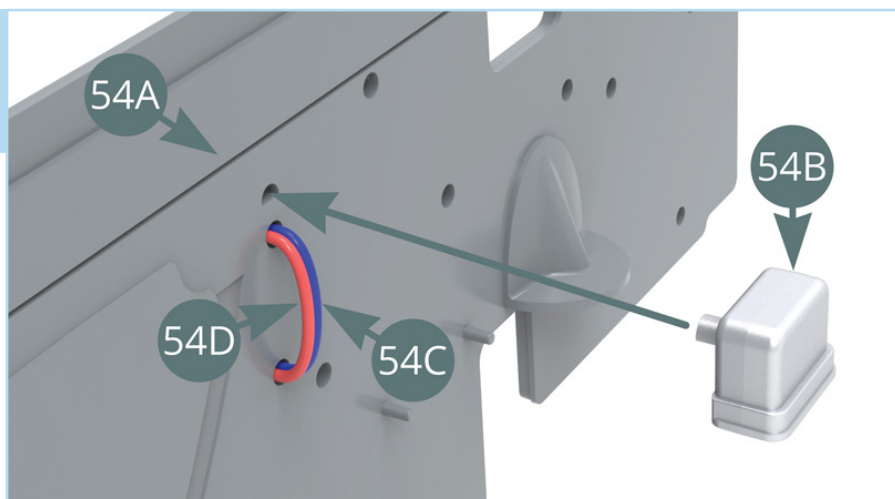
STEP 1

Fit both of the electric cables, **blue (54C)** and **red (54D)**, into the **cockpit bulkhead (54A)** by passing them through the two holes on the grey side, located underneath the D-shaped hole (orange arrow). Note that the red cable is on the left and the blue cable on the right.



STEP 2

Press the **voltage regulator (54B)** into the D-shaped hole located above the cables.

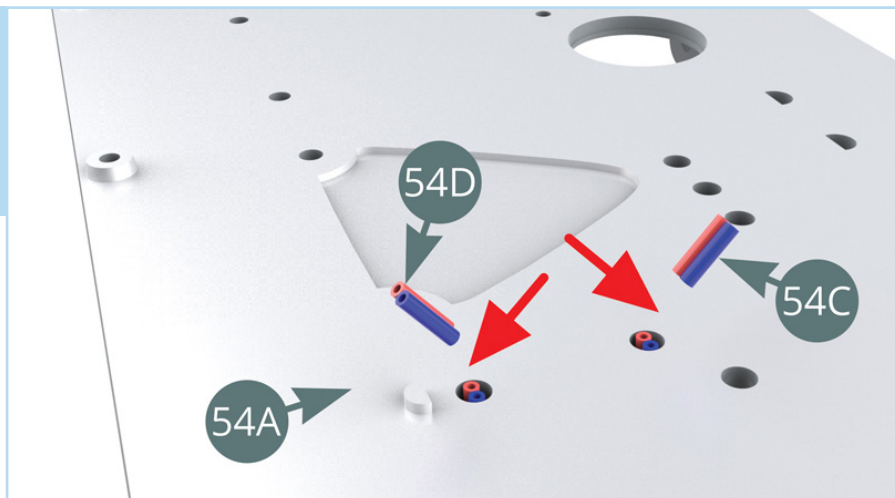


The voltage regulator should cover up the top of the cables slightly as shown in the image. Adjust the cables until they resemble their fitment in the image if needed.

STAGE 54: CONSTRUCTING THE COCKPIT BULKHEAD

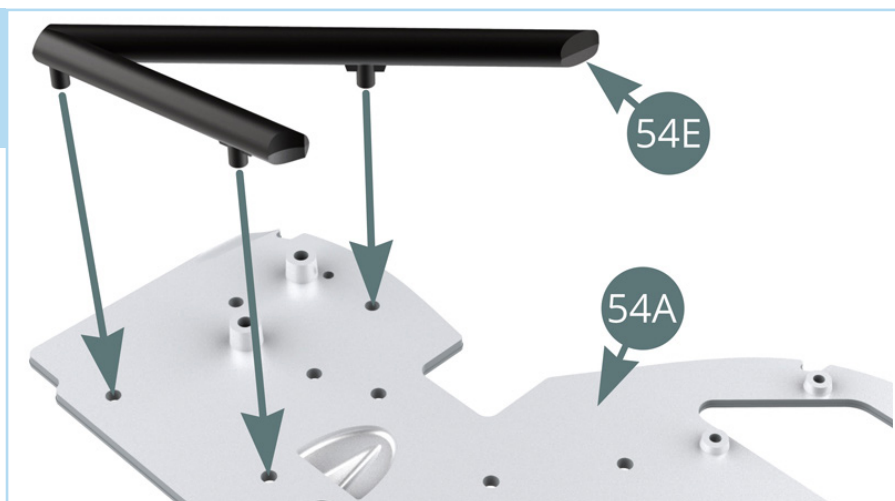
STEP 3

Turn the **cockpit bulkhead (54A)** over to its silver side and cut the protruding lengths of the **blue (54C)** and **red (54D)** cables as shown.

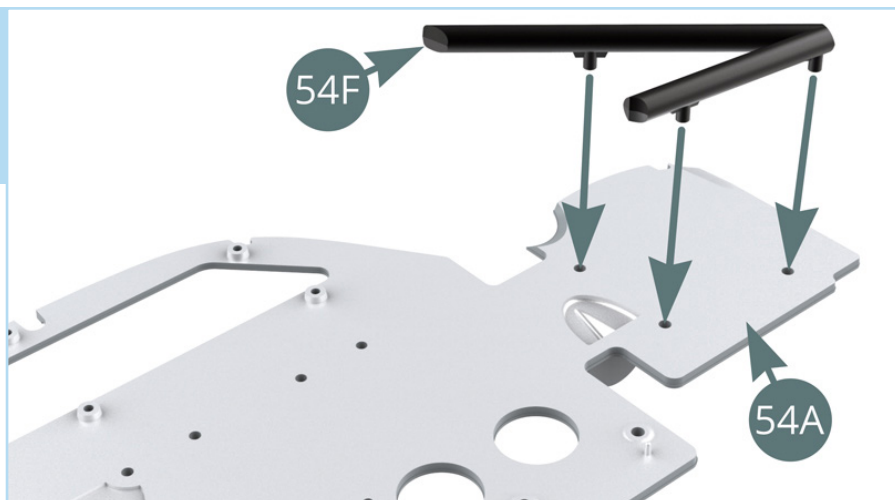


STEP 4

Press the **left tubular frame post (54E)** into the silver side of the **cockpit bulkhead (54A)**.



Take the **right tubular frame post (54F)** and press it into the **cockpit bulkhead (54A)** in the same manner.



STAGE 54: CONSTRUCTING THE COCKPIT BULKHEAD

STAGE COMPLETE

