

LONDON TRANSPORT ROUTEMASTER BUS

RM 857



Pack 04

BUILD INSTRUCTIONS

STAGE 31: FITTING THE REAR WHEEL ARCHES

STAGE 32: FITTING THE LEFT FRONT
WHEEL ARCH AND FOG LAMP

STAGE 33: FITTING THE FRONT RIGHT
WHEEL ARCH

STAGE 34: FUEL TANK, FUEL FILLER
AND SAFETY BARS

STAGE 35: THE FLOOR OF THE DRIVER'S CAB AND
THE HANDBRAKE

STAGE 36: THE FLOOR OF THE DRIVER'S
CAB AND THE HANDBRAKE

STAGE 37: BRAKE PEDAL AND ACCELERATOR

STAGE 38: FITTING THE DASHBOARD AND
ACCESSORIES IN THE CAB

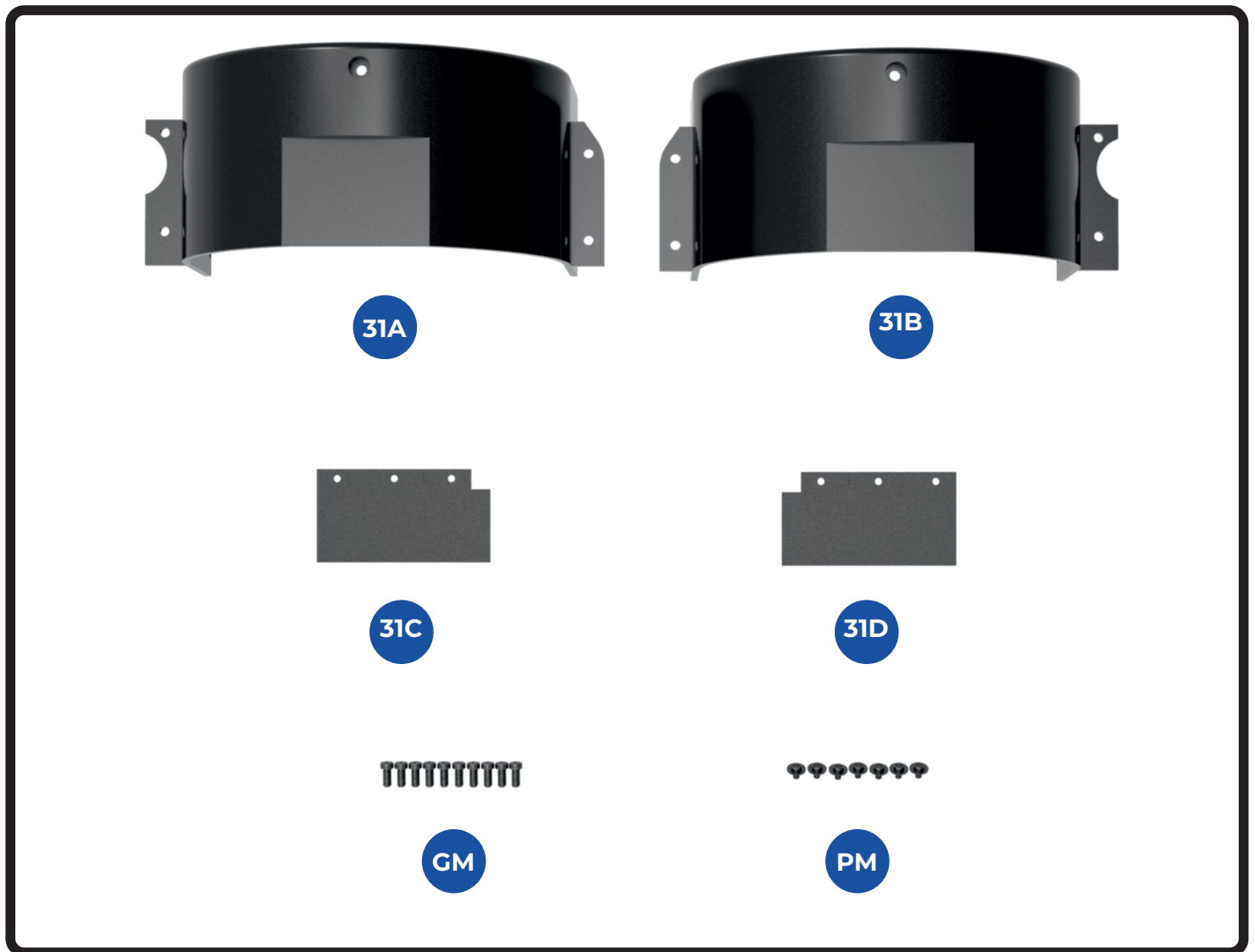
STAGE 39: ASSEMBLING AND FITTING
THE DRIVER'S SEAT

STAGE 40: FITTING ACCESSORIES IN THE
DRIVER'S CAB

STAGE 31

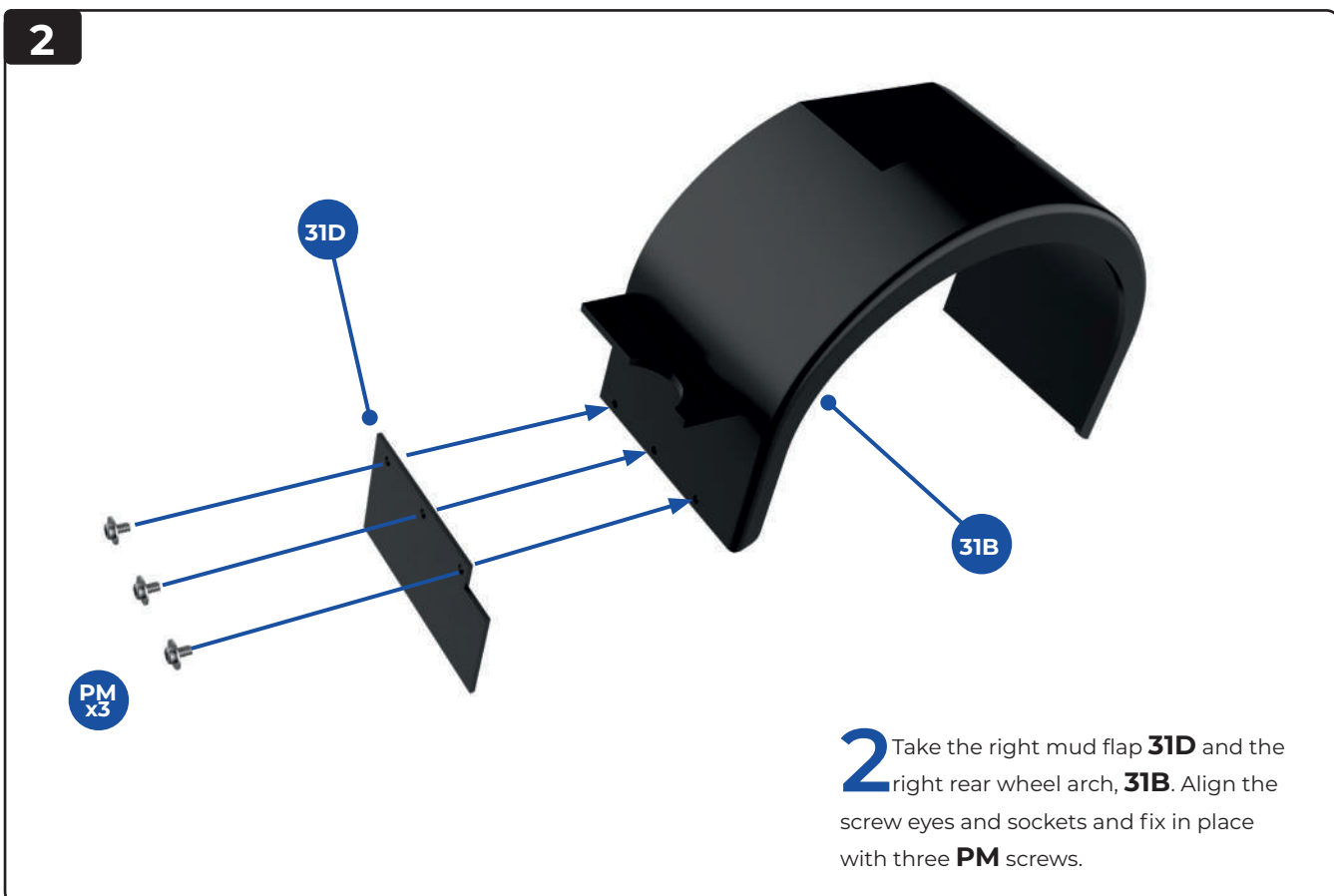
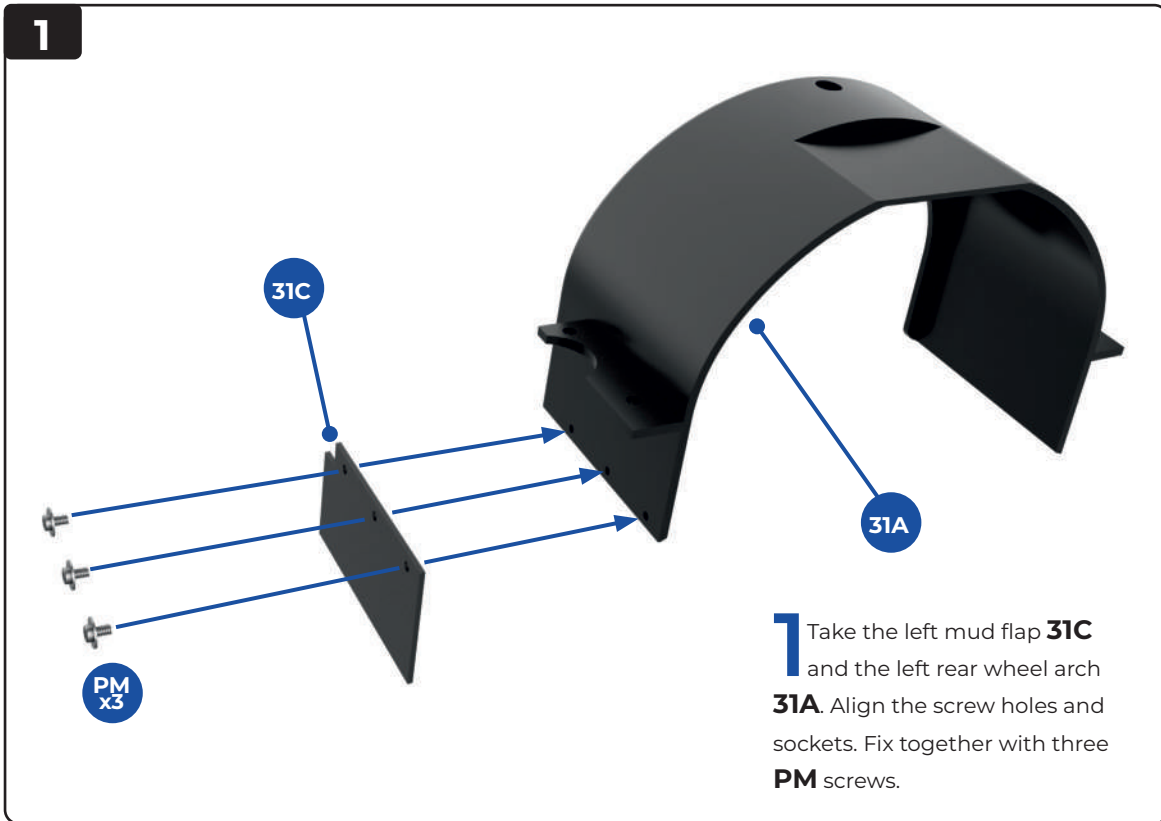
FITTING THE REAR WHEEL ARCHES

In this stage, the rear mud flaps are attached to the rear wheel arches. The wheel arches are then attached to the sub-frame.

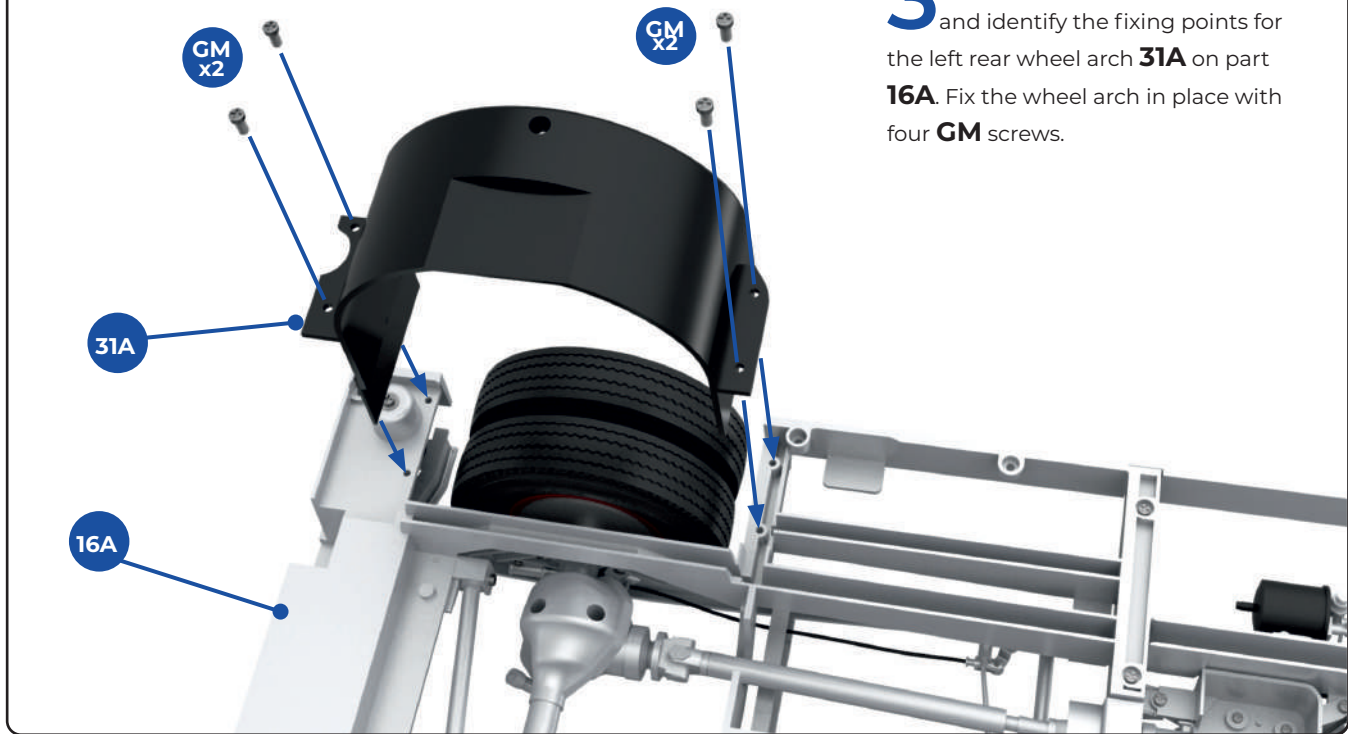


KEY TO PARTS SUPPLIED

- | | | | |
|------------|-----------------------|------------|--------------------|
| 31A | Left rear wheel arch | 31D | Right mud flap |
| 31B | Right rear wheel arch | GM | 2.3 x 5mm (x10) |
| 31C | Left mud flap | PM | 1.7 x 3 x 5mm (x7) |

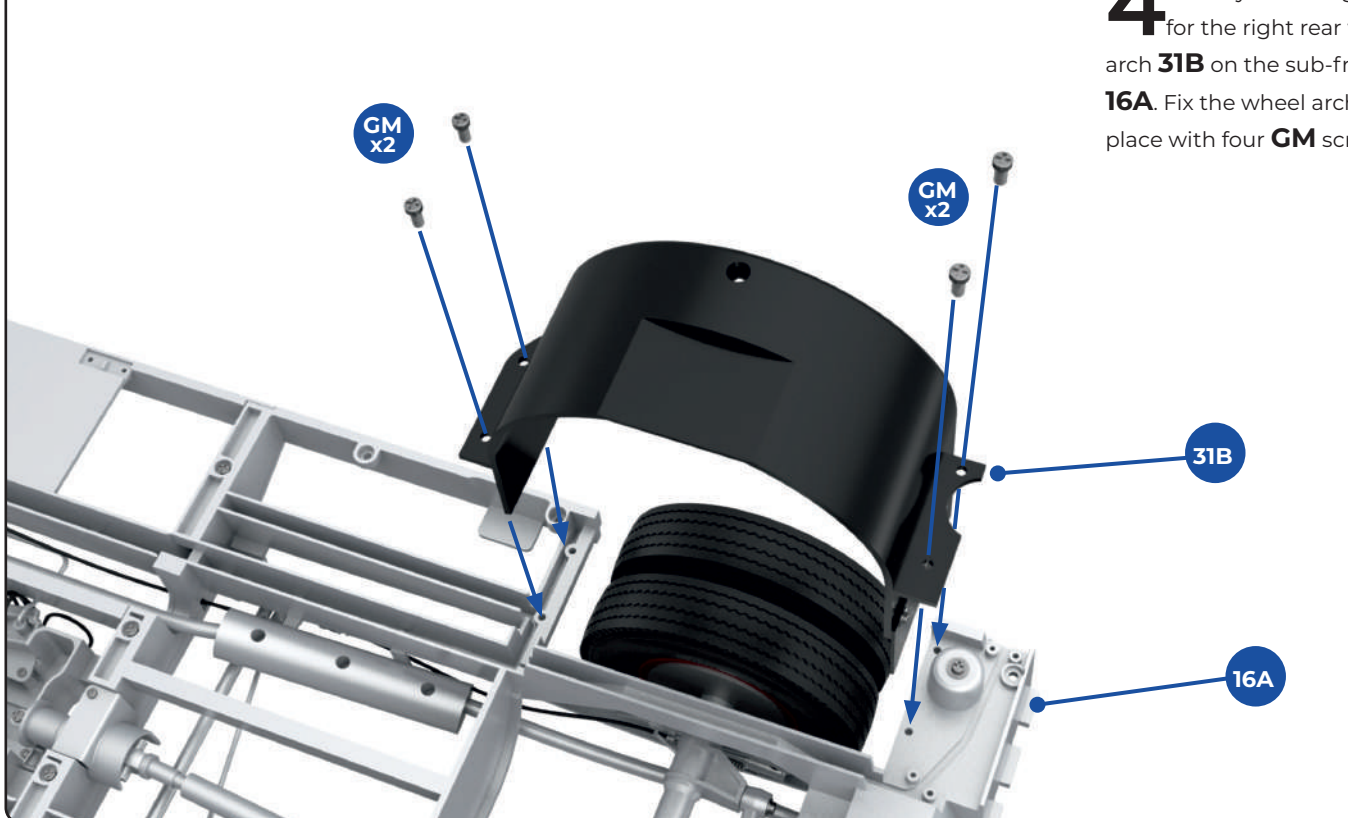


3



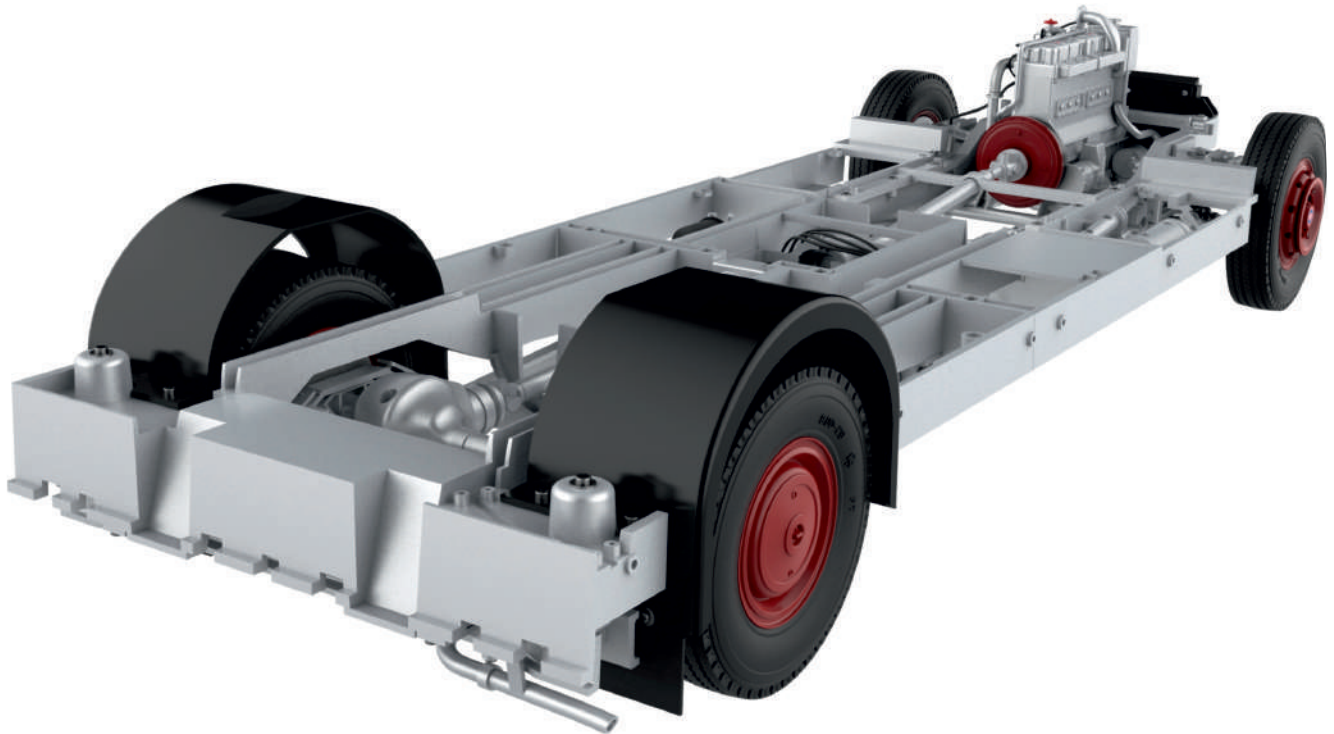
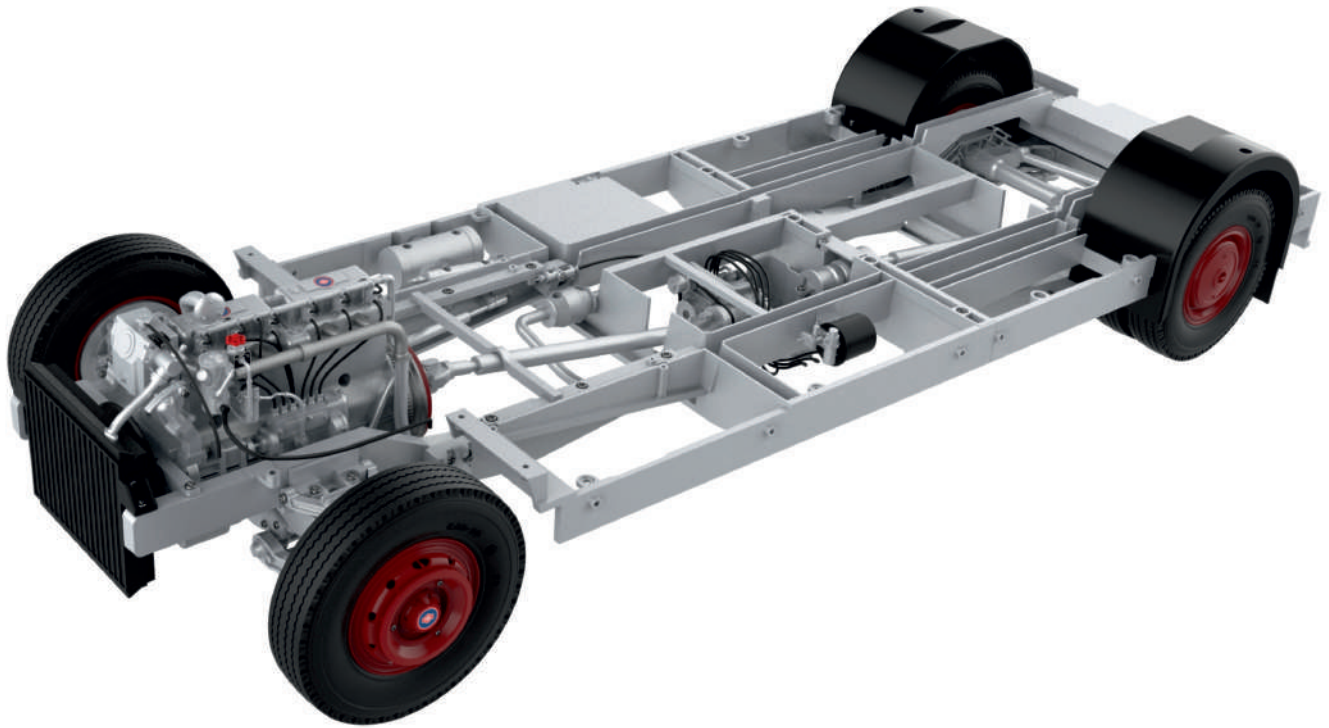
3 Take the sub-frame assembly and identify the fixing points for the left rear wheel arch **31A** on part **16A**. Fix the wheel arch in place with four **GM** screws.

4

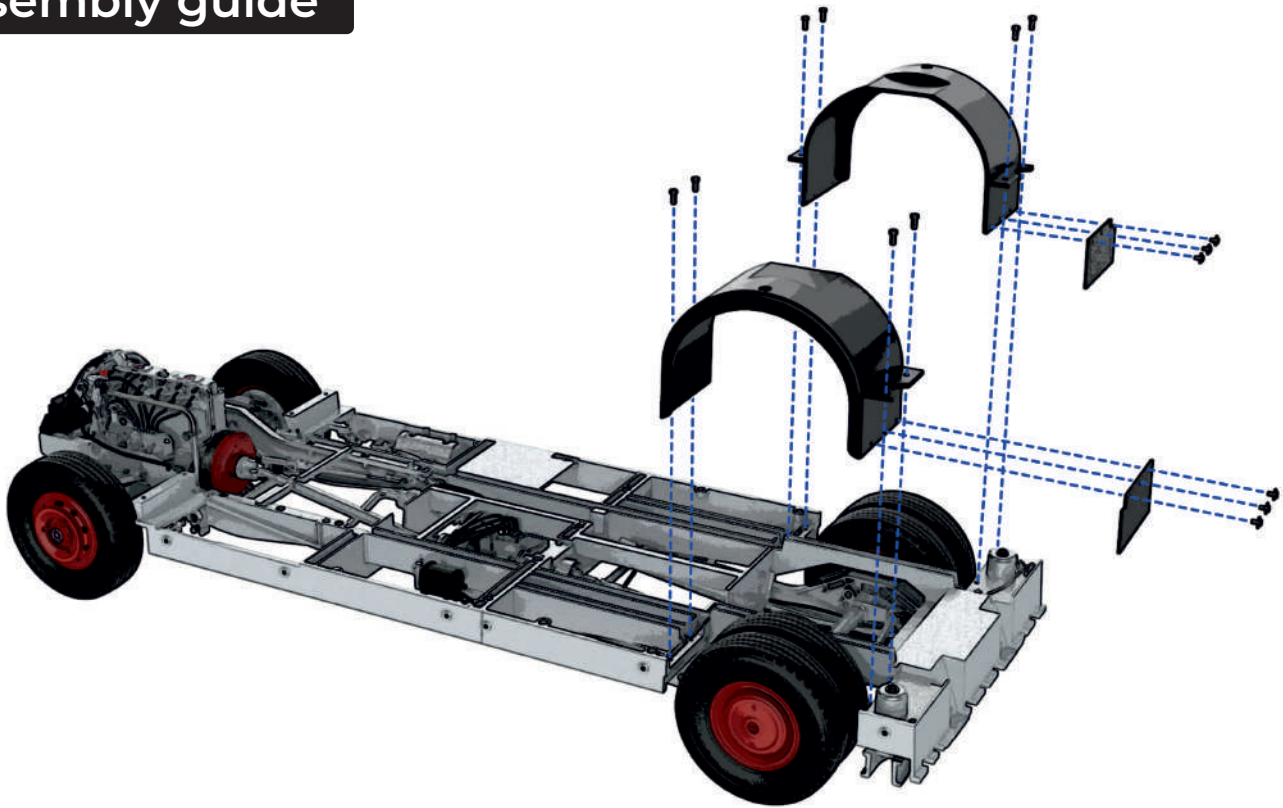


4 Identify the fixing points for the right rear wheel arch **31B** on the sub-frame **16A**. Fix the wheel arch in place with four **GM** screws.

Finished views



Assembly guide



The rear wheel and wheel arch of Routemaster RM1 (left). The mud flap hangs behind the wheel, below the bodywork, to prevent excess mud from splashing up to the suspension mechanism behind the wheels.

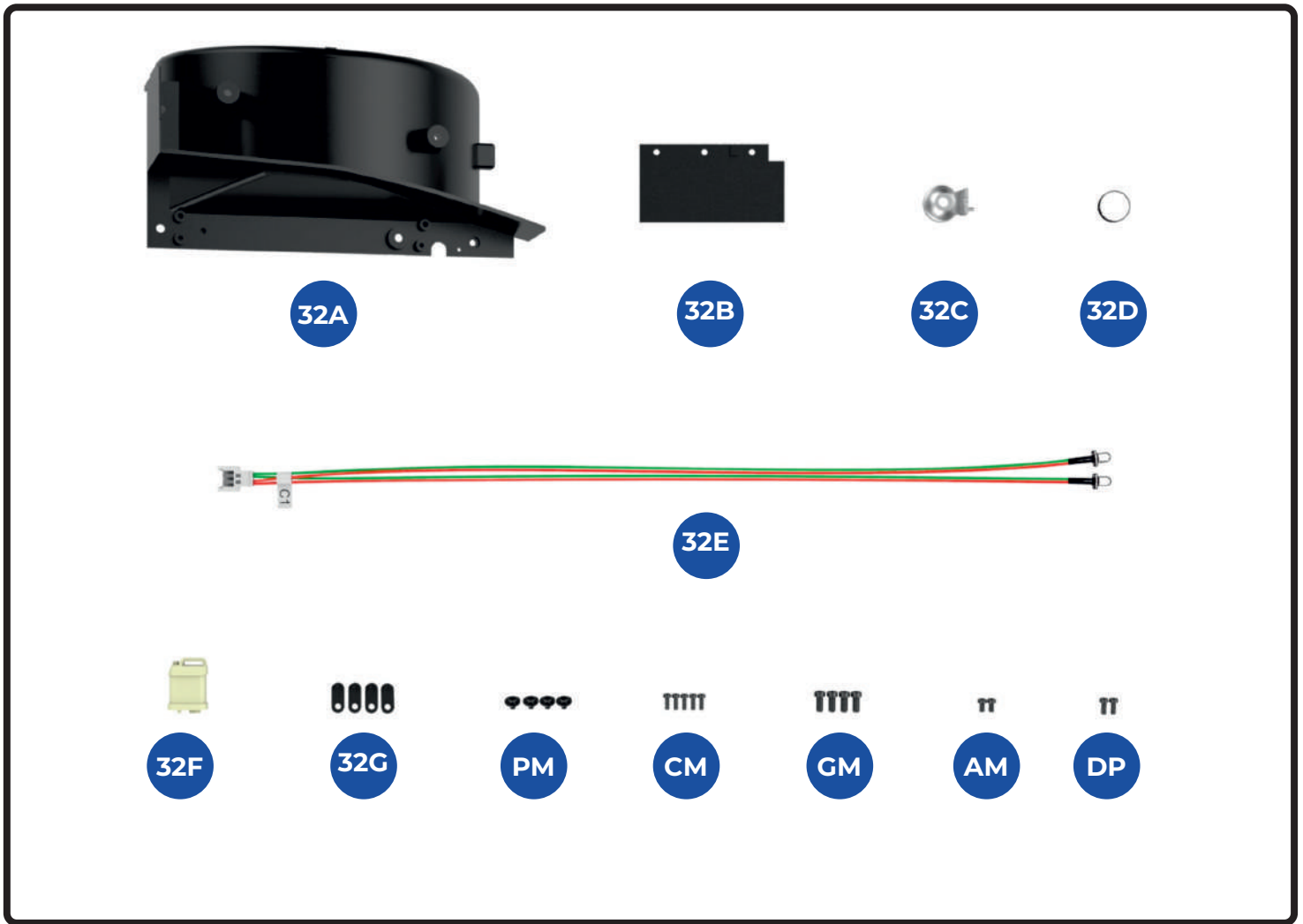
On Routemaster RM597 (below), the exhaust is just visible behind the mud flap.



STAGE 32

FITTING THE LEFT FRONT WHEEL ARCH AND FOG LAMP

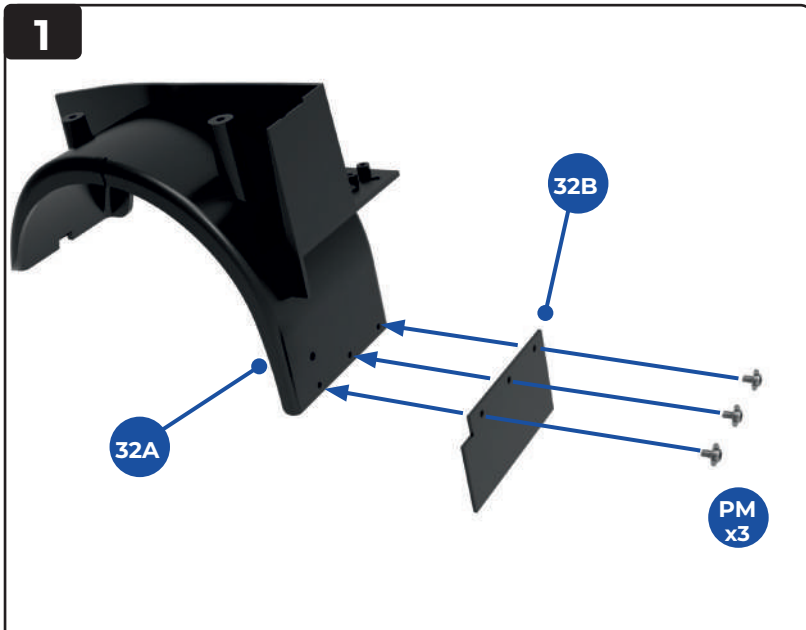
In this stage, we start the electrical wiring, to provide a connection for the fog lamp that is attached to the Left front wheel arch.



KEY TO PARTS SUPPLIED

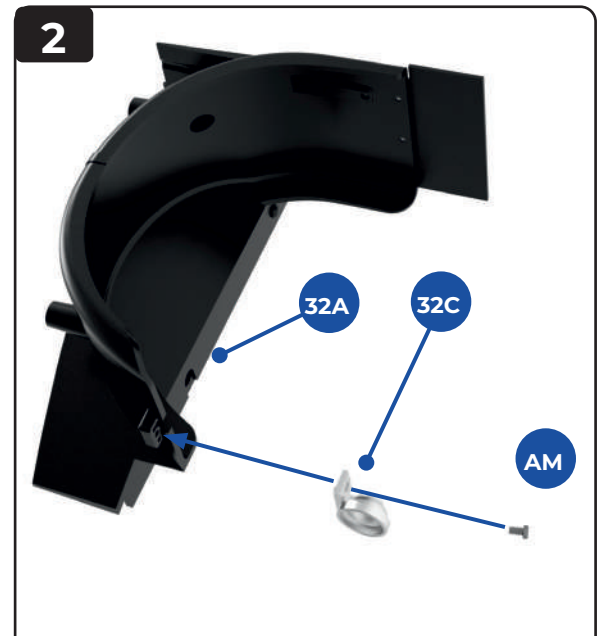
32A	Left front wheel arch	32F	Can	PM	1.7 x 3 x 5mm (x4)
32B	Mud flap	32G	Cable grips	CM	1.7 x 4mm (x5)
32C	Fog lamp			GM	2.3 x 5mm (x4)
32D	Fog lamp lens			AM	1.7 x 3mm (x2)
32E	LED cable			DP	1.7 x 4mm (x2)

1



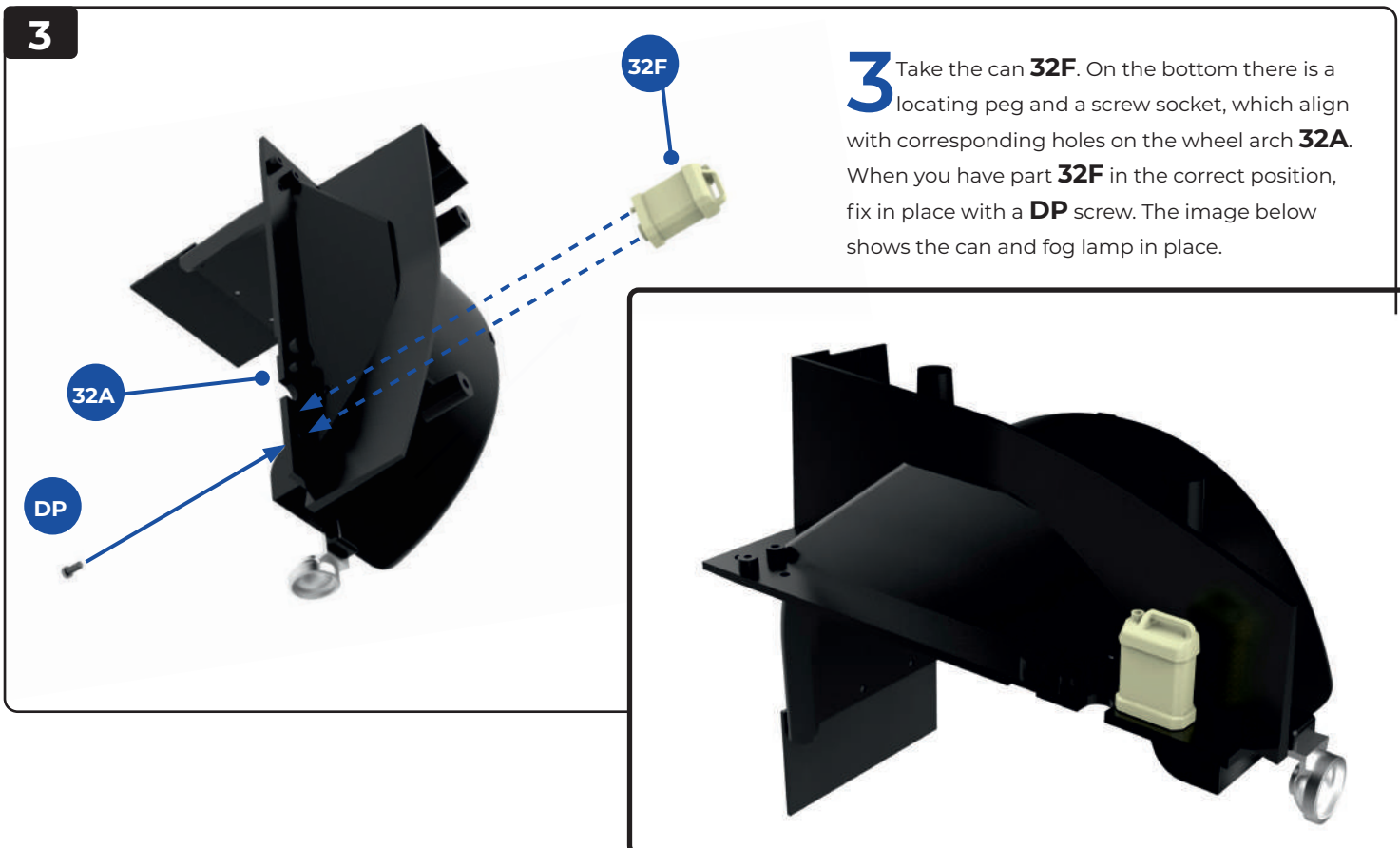
Take the wheel arch **32A** and the mud flap **32B**. Check that you have part **32B** the right way round, to match the diagram. Identify the three fixing points along the lower edge of the wheel arch. Fix the mud flap in place with three **PM** screws.

2

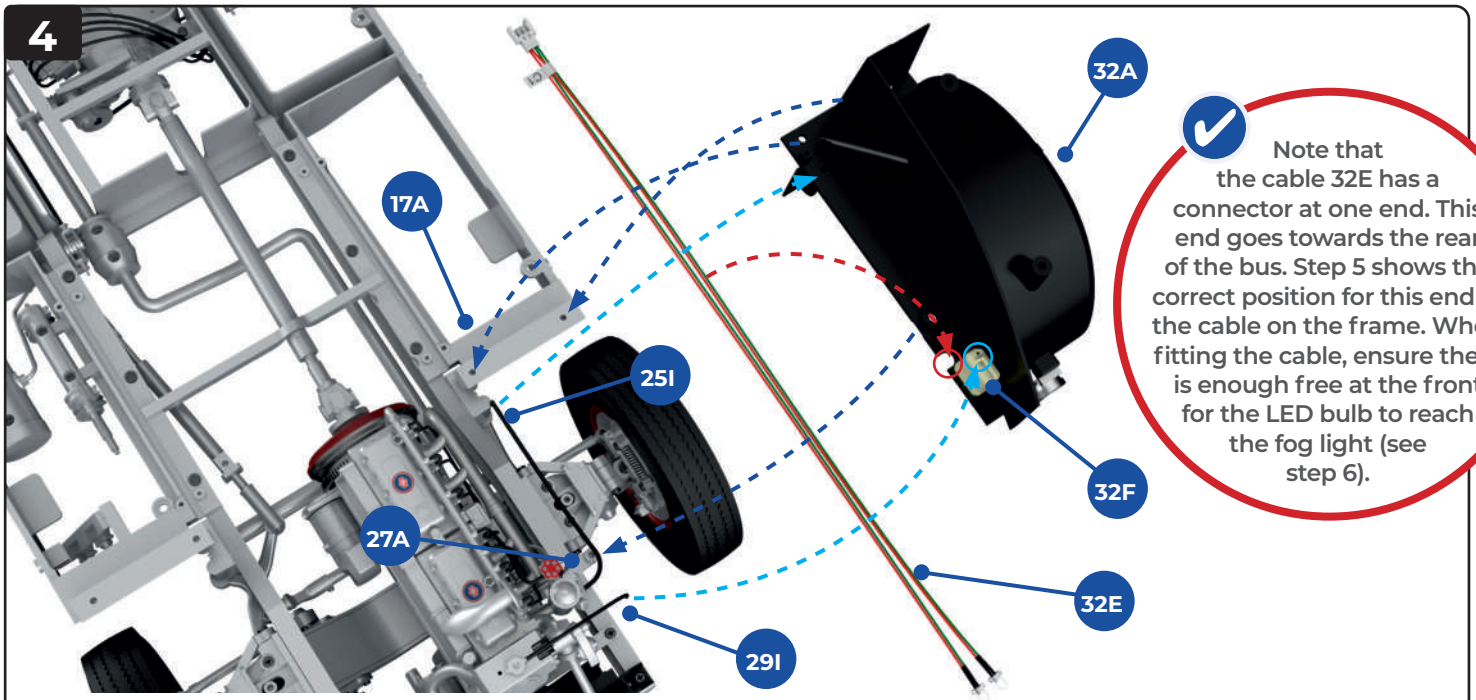


Take the fog lamp **32C**. Identify the fixing point on part **32A**. Fix the fog lamp in place with an **AM** screw

3

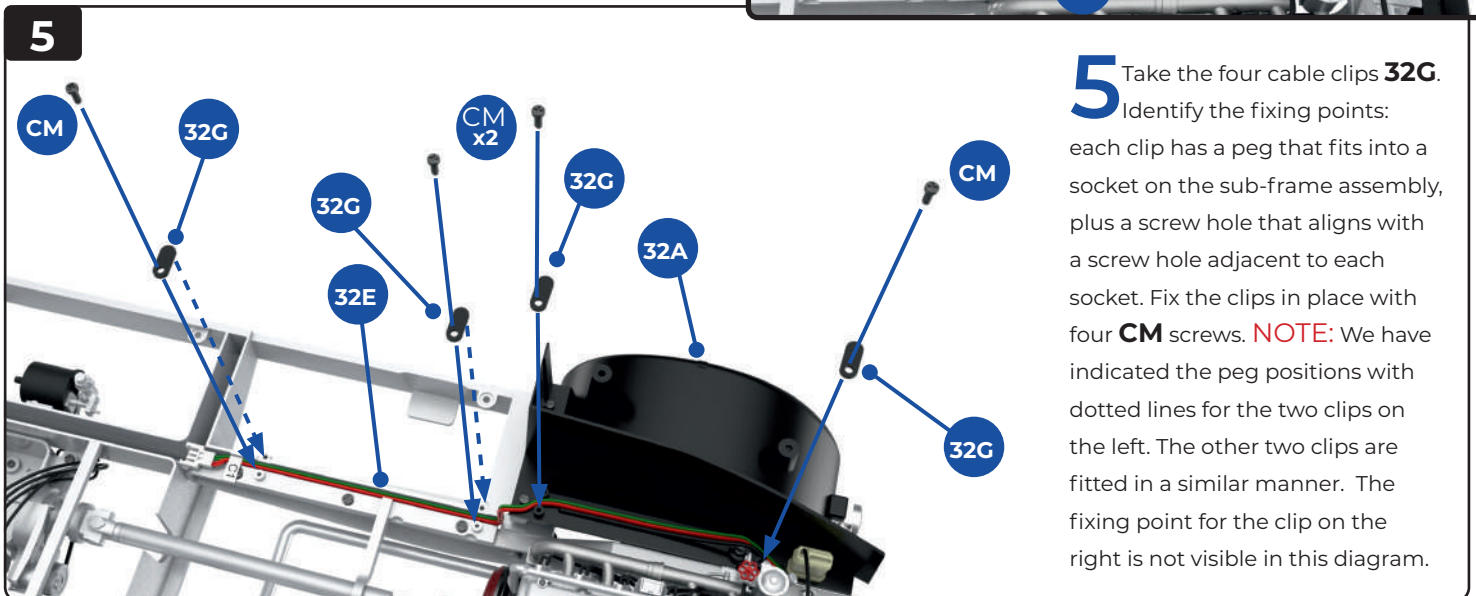
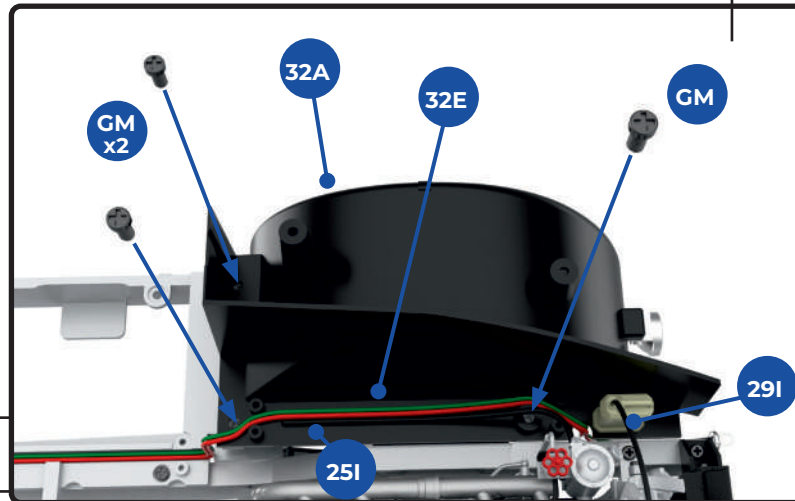


Take the can **32F**. On the bottom there is a locating peg and a screw socket, which align with corresponding holes on the wheel arch **32A**. When you have part **32F** in the correct position, fix in place with a **DP** screw. The image below shows the can and fog lamp in place.



Note that the cable 32E has a connector at one end. This end goes towards the rear of the bus. Step 5 shows the correct position for this end of the cable on the frame. When fitting the cable, ensure there is enough free at the front for the LED bulb to reach the fog light (see step 6).

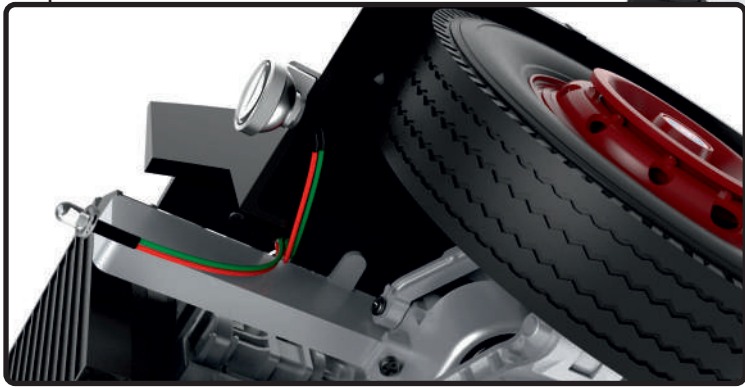
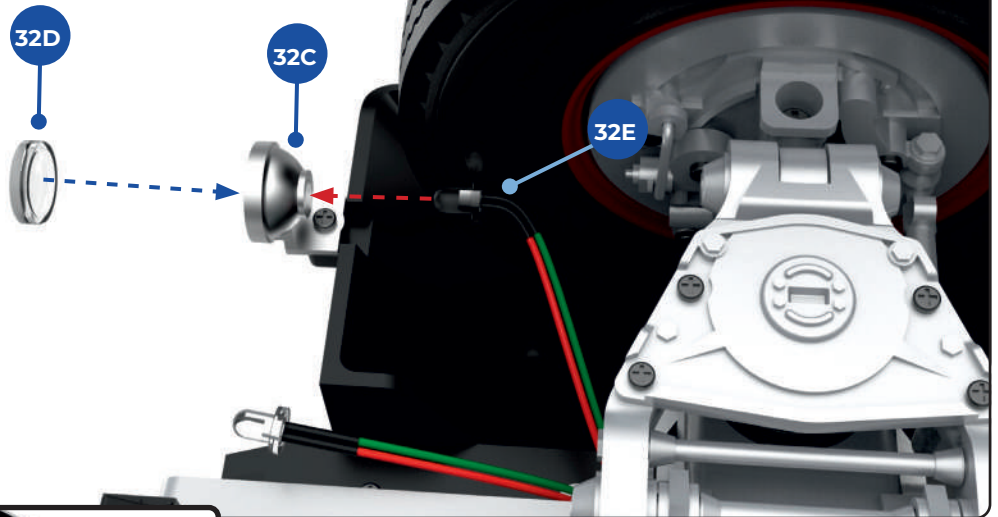
4 Pass the LED cable **32E** along the inner edge of the wheel arch **32A** and through the notch near can **32F** (circled in red). Identify the three fixing points for the wheel arch: two screw sockets on the end of the arch align with two screw holes on the frame **17A**; the hole on the side of the arch aligns with a hole on the left beam **27A**. At the same time, fit the free end of line **29I** into the can **32F** and the free end of power steering pipe **25I** into the socket on the wheel arch **32A** (indicated in light blue). When all parts are in position, fix in place with three **GM** screws (right).



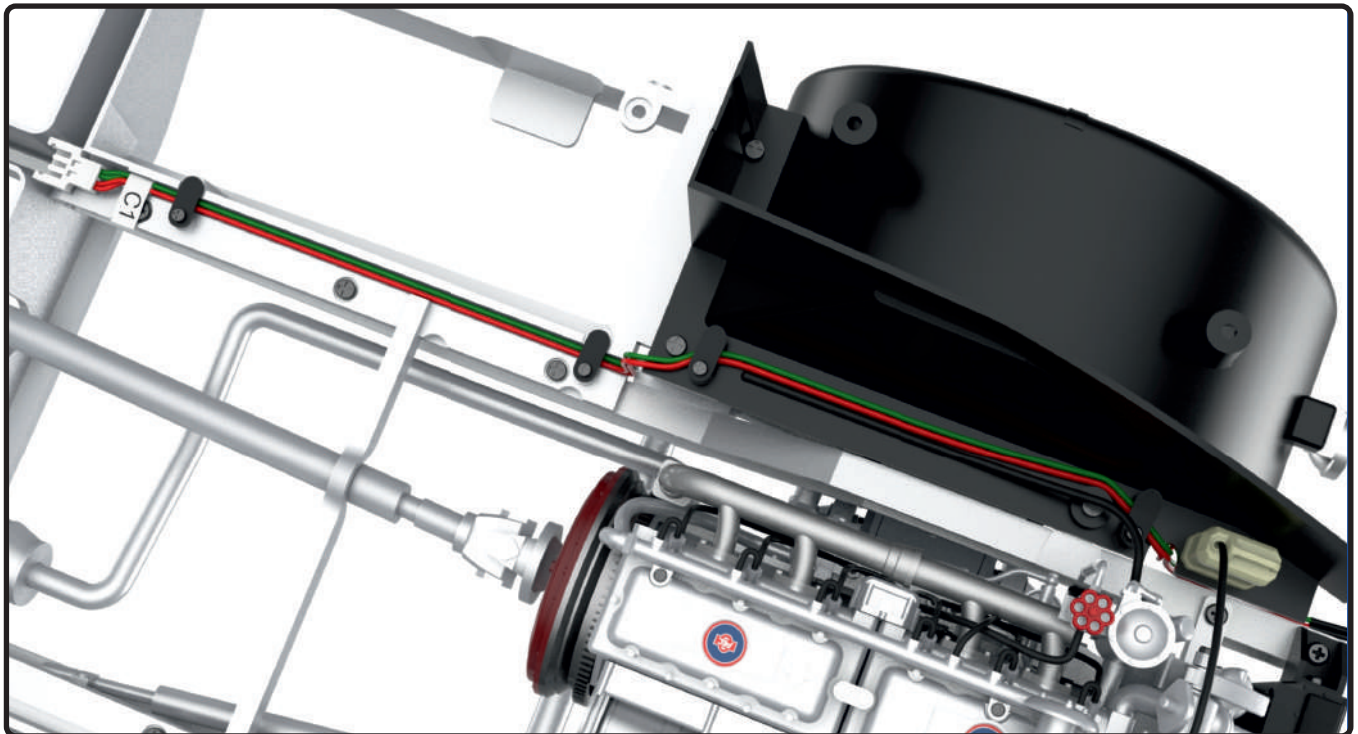
5 Take the four cable clips **32G**. Identify the fixing points: each clip has a peg that fits into a socket on the sub-frame assembly, plus a screw hole that aligns with a screw hole adjacent to each socket. Fix the clips in place with four **CM** screws. **NOTE:** We have indicated the peg positions with dotted lines for the two clips on the left. The other two clips are fitted in a similar manner. The fixing point for the clip on the right is not visible in this diagram.

6

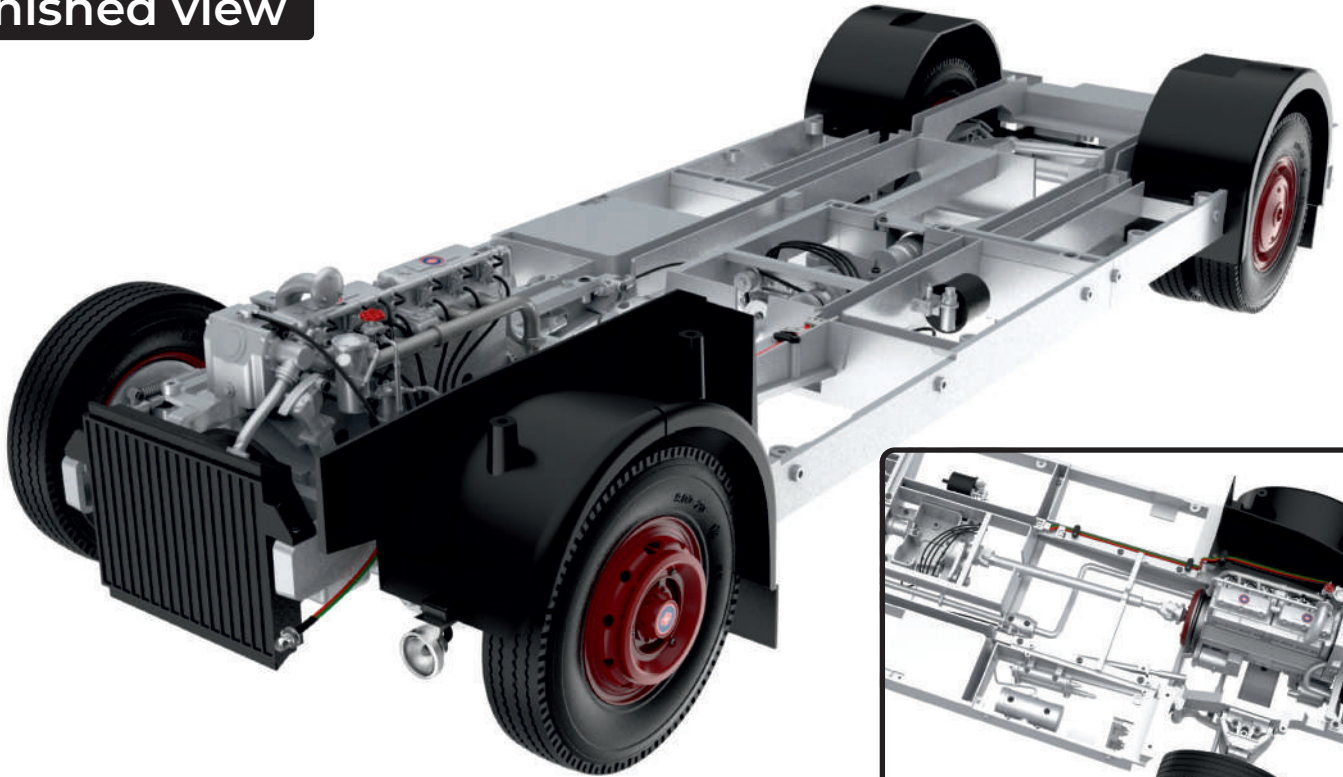
5 Turn the sub-frame assembly on its side, so that you can see the back of the fog lamp **32C**. Take care to protect the engine, to prevent any damage. Fit one of the two ends of the LED cable **32E** into the back of the fog lamp **32C**. Fit the lens **32D** to the front of the fog lamp. These are push-fit connections. The inset, below, shows the fog lamp and cable in place. The other end of the cable will be fitted at a later stage.



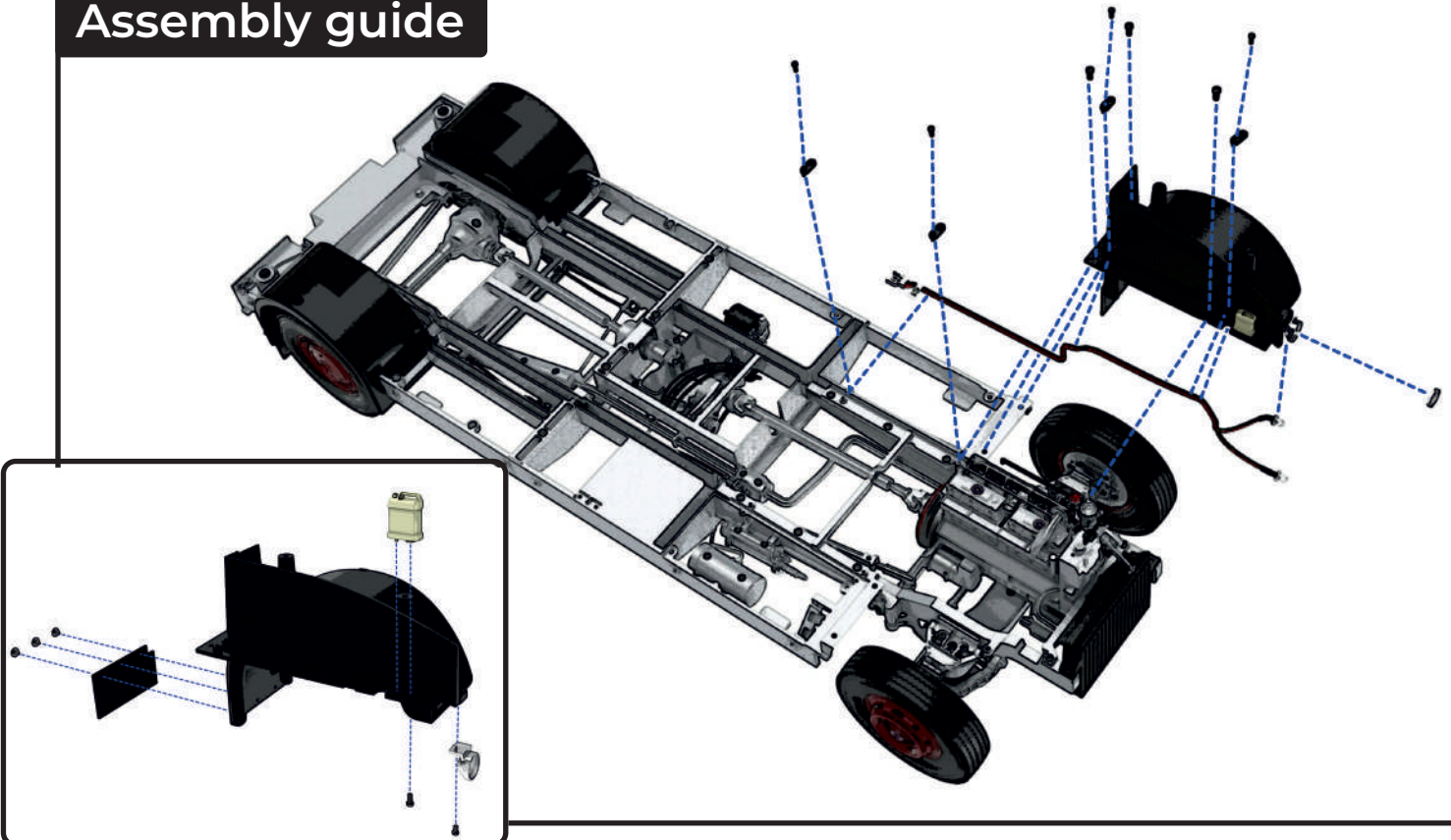
The diagram below shows the LED cable and fog lamp fitted in place.



Finished view



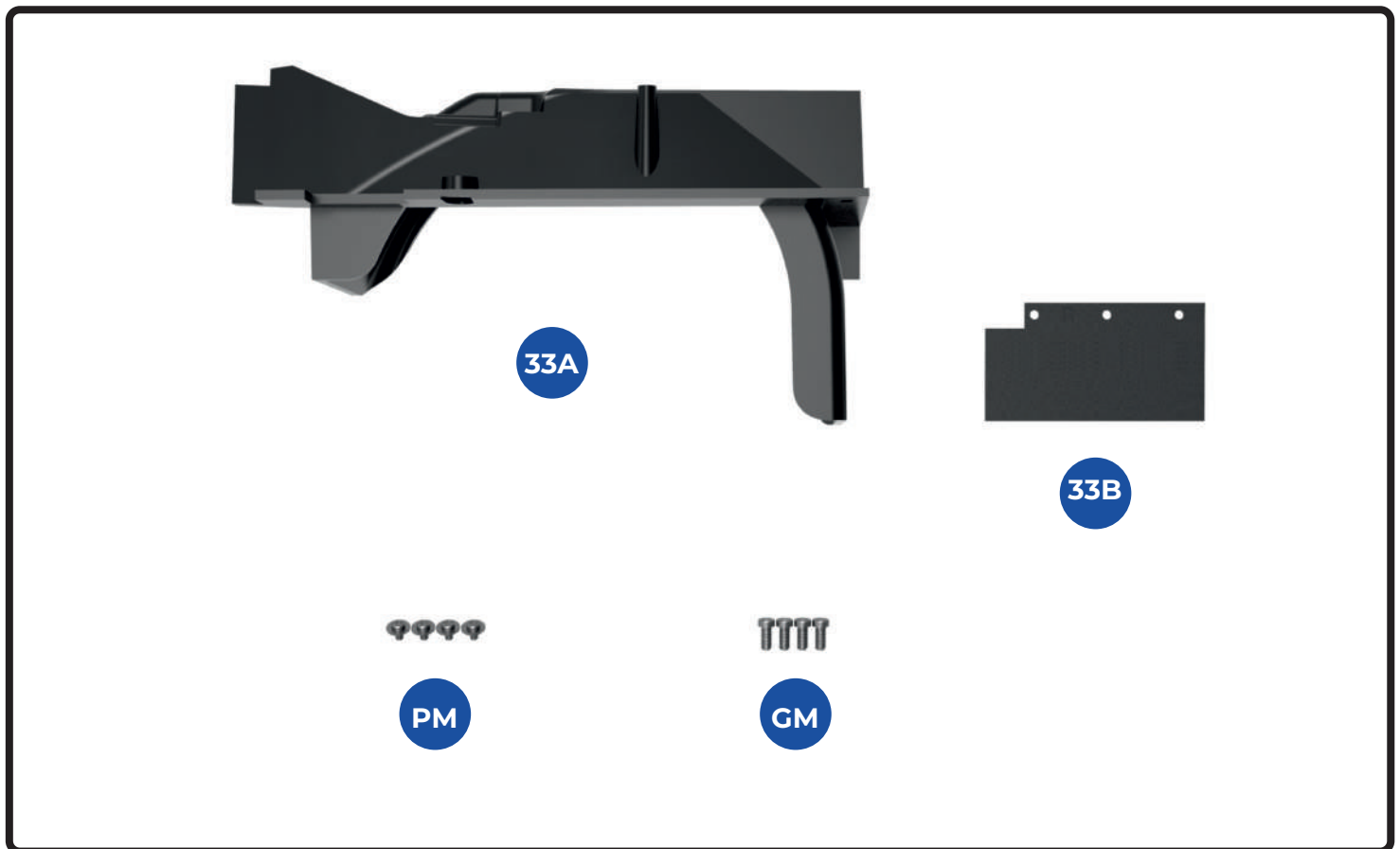
Assembly guide



STAGE 33

FITTING THE FRONT RIGHT WHEEL ARCH

The right front mud flap is fitted to the corresponding wheel arch and then the assembly is attached to the frame.



KEY TO PARTS SUPPLIED

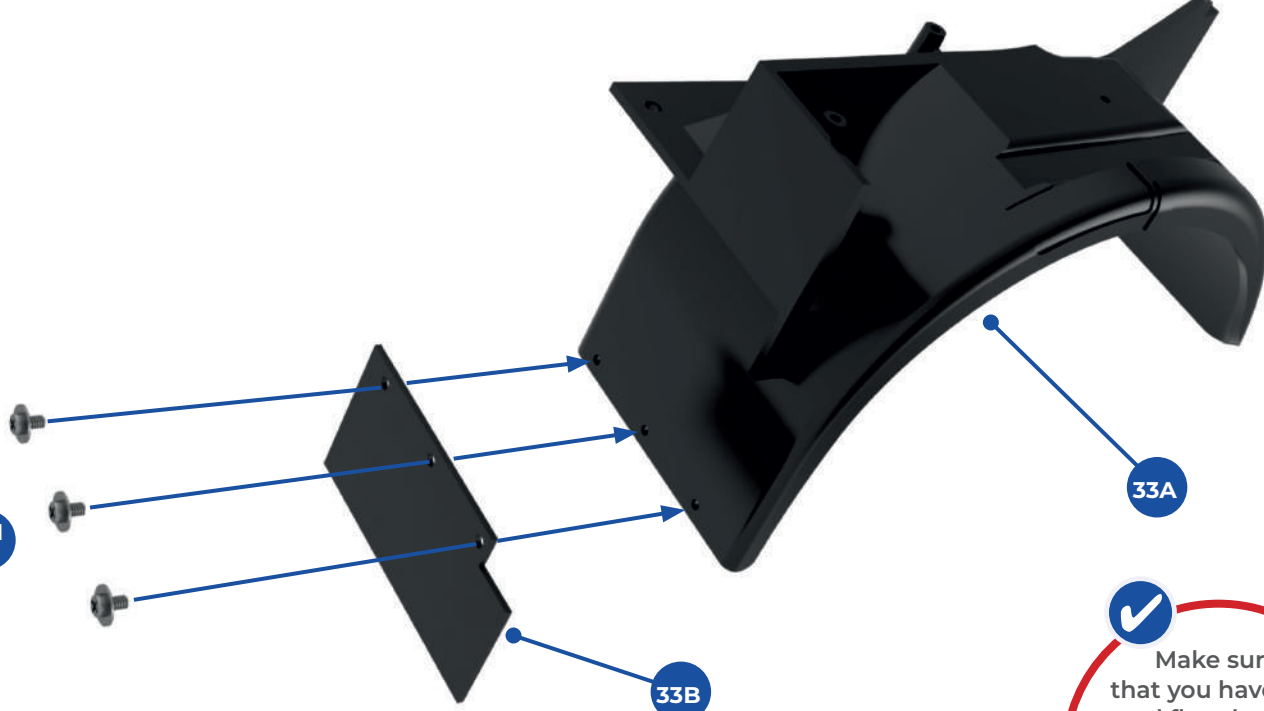
33A Front right wheel arch
33B Right mud flap

PM 1.7 x 3 x 5mm (x4)
GM 2.3 x 5mm (x4)



The front right wheel arch of RM652, which was rebuilt and re-engined in 2000.

1



PM x3

33A

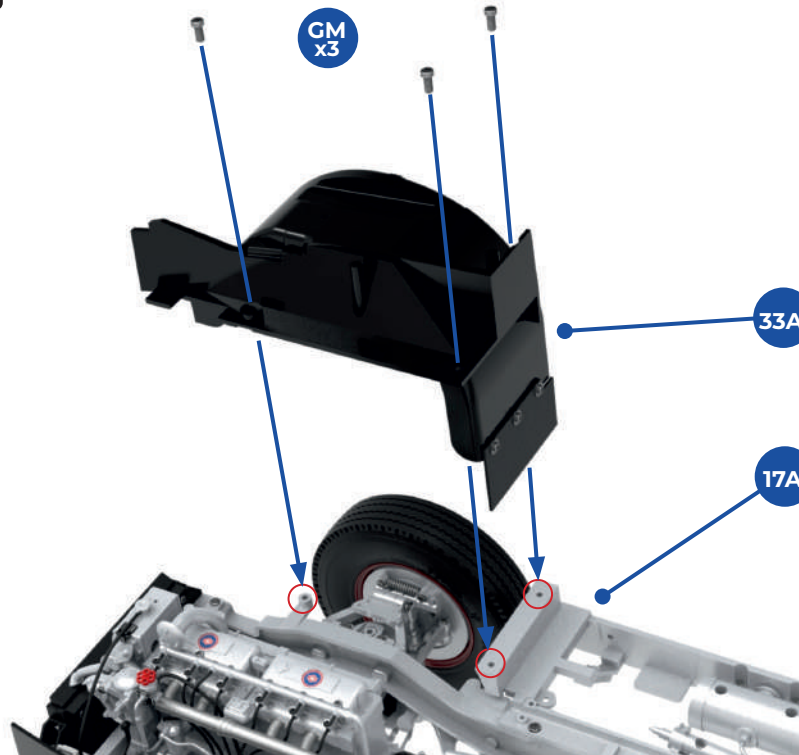
33B

✓

Make sure that you have the mud flap the right way round, positioning the cut-out corner at the top right, as shown here.

1 Take the right front wheel arch **33A** and the mud flap **33B**. Identify the three screw holes on part **33B** and the corresponding sockets on part **33A**. Fix in place with three **PM** screws.

2

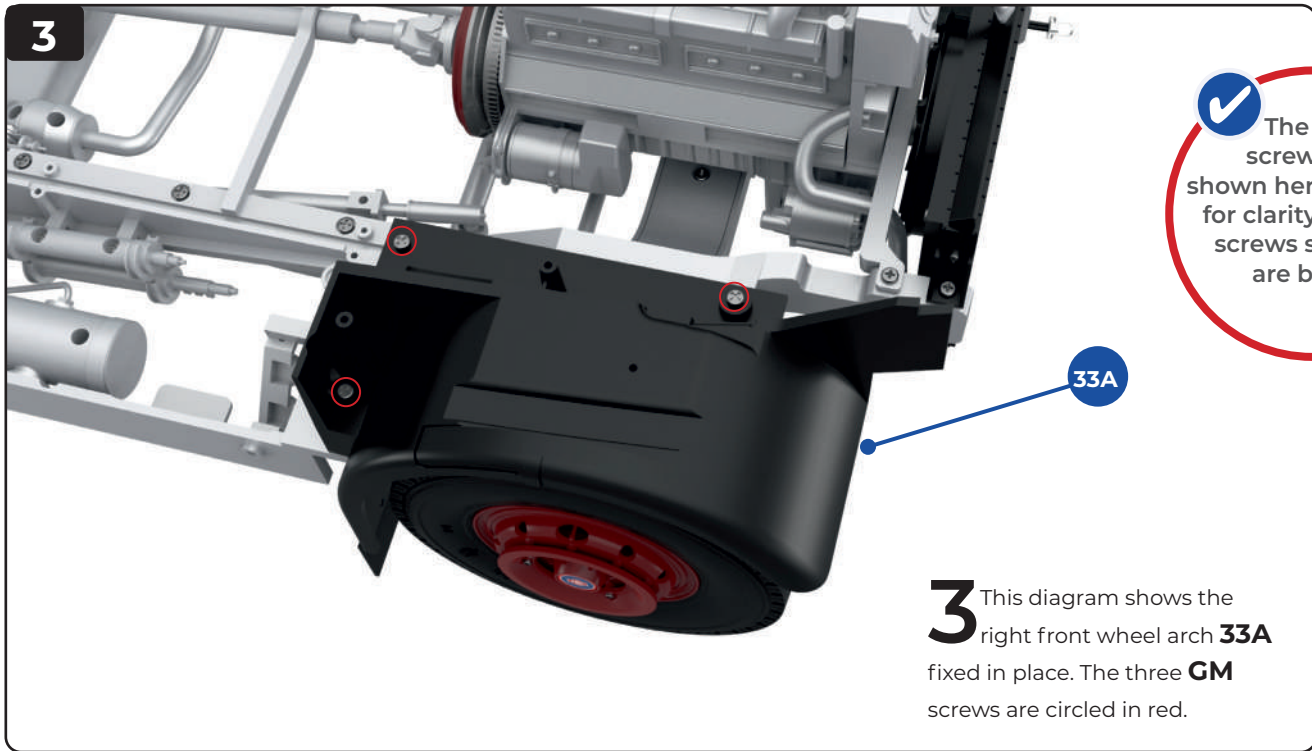


GM x3

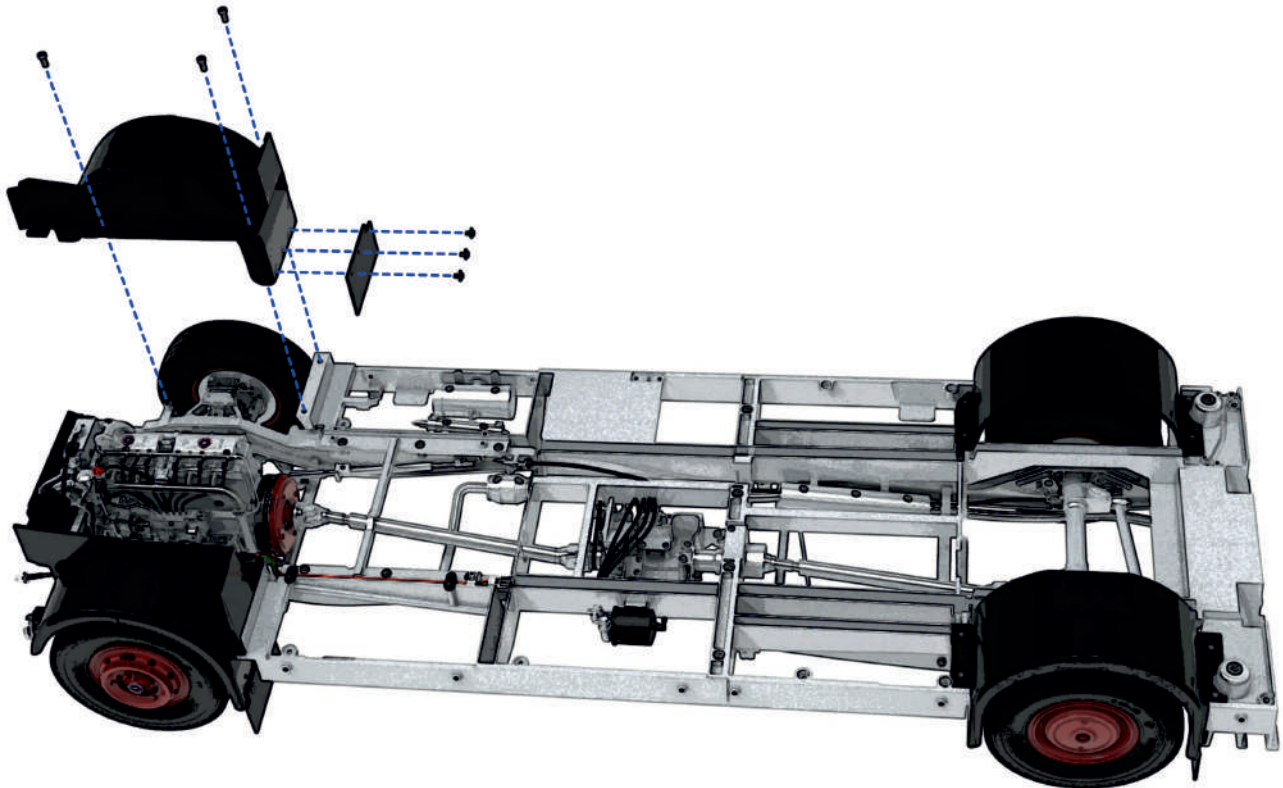
33A

17A

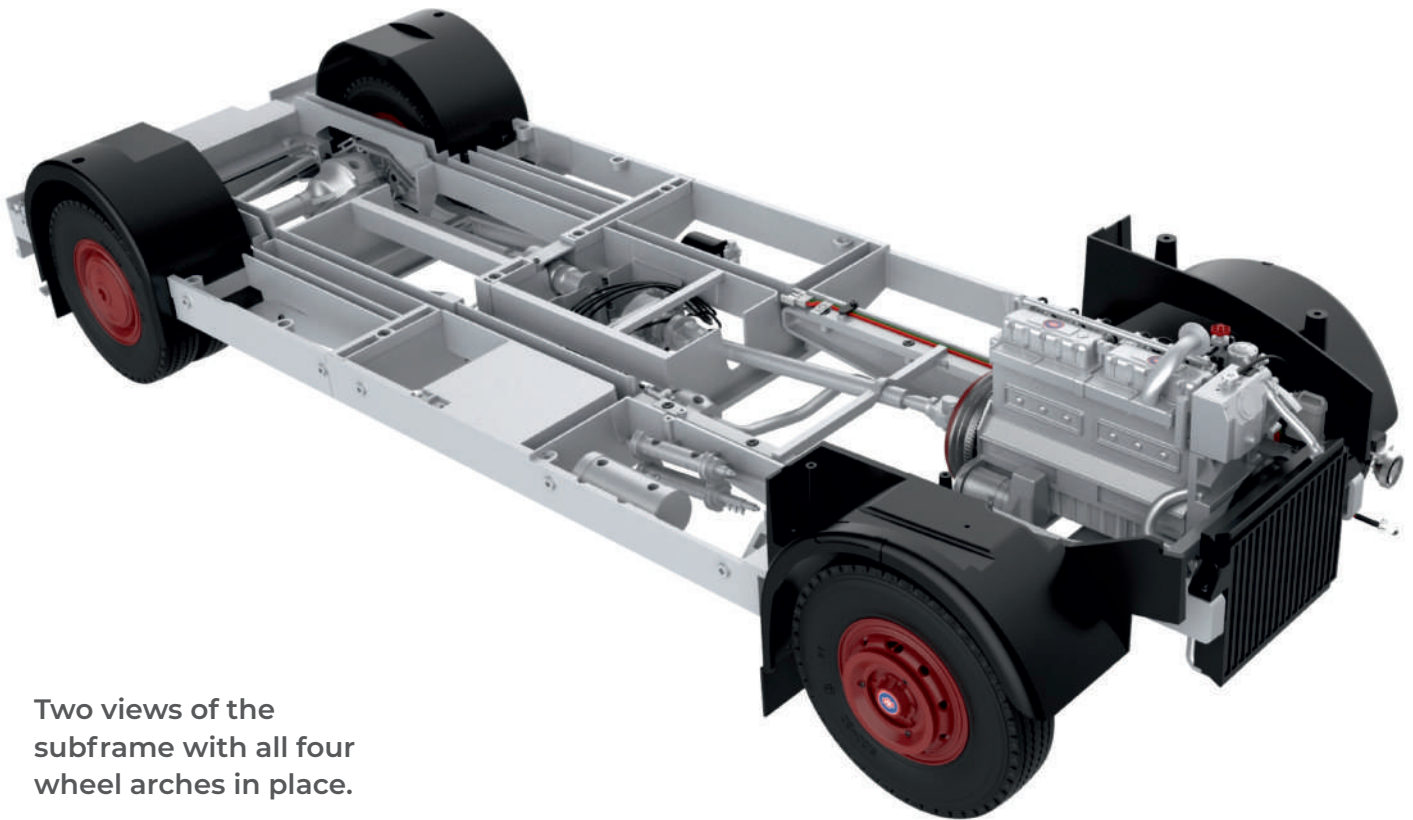
2 Locate the three fixing points for the right front wheel arch **33A** on the sub-frame **17A** (circled in red). Identify the screw holes on the wheel arch **33A**. Fix in place with three **GM** screws.



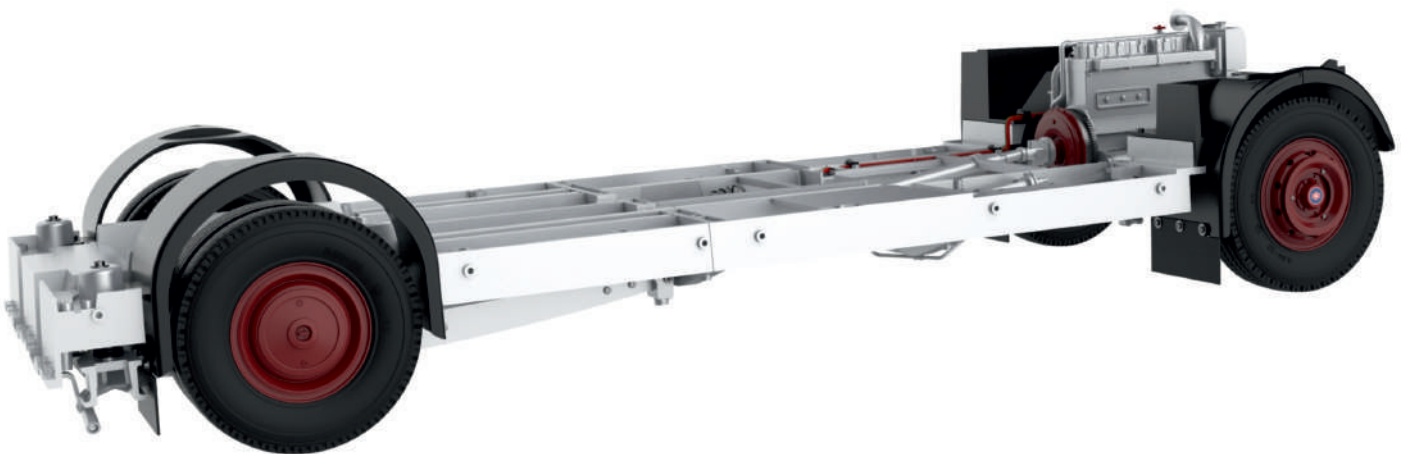
Assembly guide



Finished views



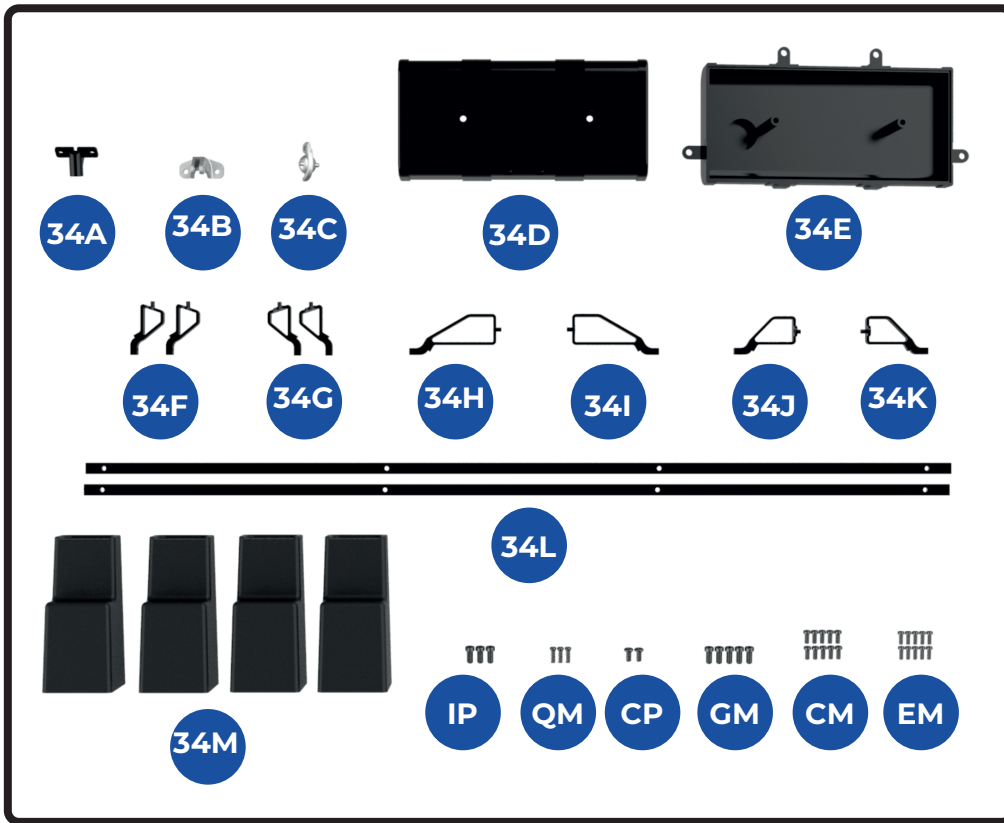
Two views of the subframe with all four wheel arches in place.



STAGE 34

FUEL TANK, FUEL FILLER AND SAFETY BARS

The fuel tank is attached to the sub-frame, and the filler neck and cap are attached. The safety bars are fitted along the length of the frame. Be careful to identify all the parts before starting the build.



KEY TO PARTS SUPPLIED

34A	Fuel filler neck
34B	Fuel filler base
34C	Filler cap
34D	Fuel tank bottom
34E	Fuel tank top
34F	Bracket (x2)
34G	Bracket (x2)
34H	Bracket
34I	Bracket
34J	Bracket
34K	Bracket
34L	Safety bar (x2)
34M	Cradle block (x4)
IP	2.3 x 5mm (x3)
QM	1.7 x 5mm (x3)
CP	2.0 x 4mm (x2)
GM	2.3 x 5mm (x5)
CM	1.7 x 4mm (x10)
EM	1.5 x 4mm (x10)

1

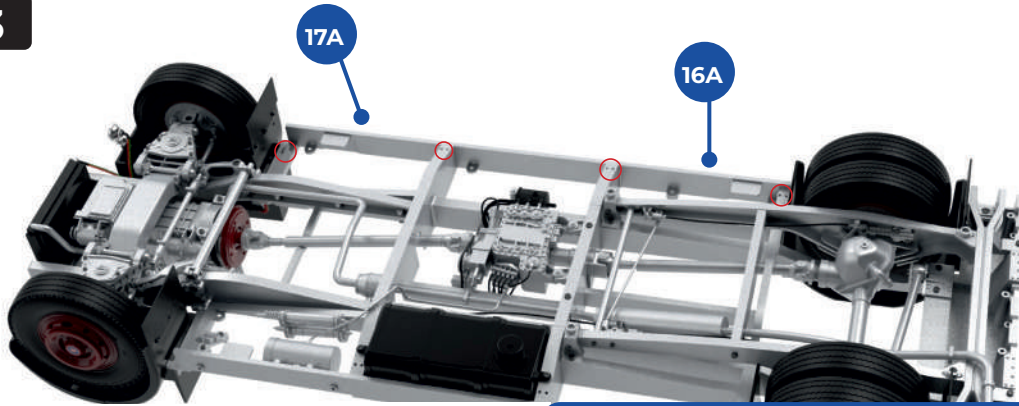
1 Take the fuel tank bottom **34D** and fuel tank top **34E**. Check the orientation of part **34D** noting the two small indentations circled in red. Fix together with two **IP** screws.

2

2 Fix the fuel tank in place on the sub-frame: use four **GM** screws, fitting them through the screw eyes on **34E** and into the sockets on **17A**.

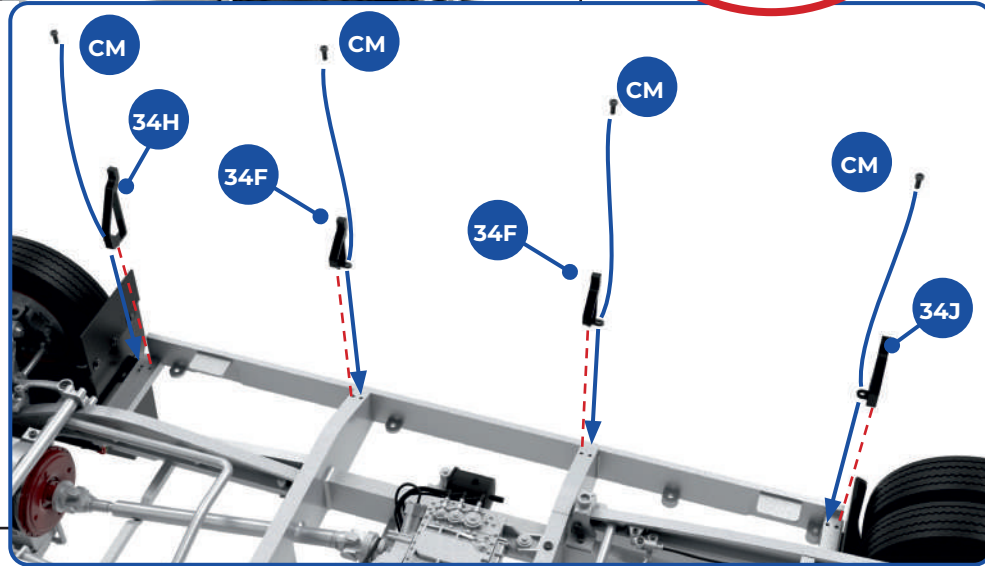
The tank is fitted on the underside of the sub-frame. Take care when turning the assembly over.

3

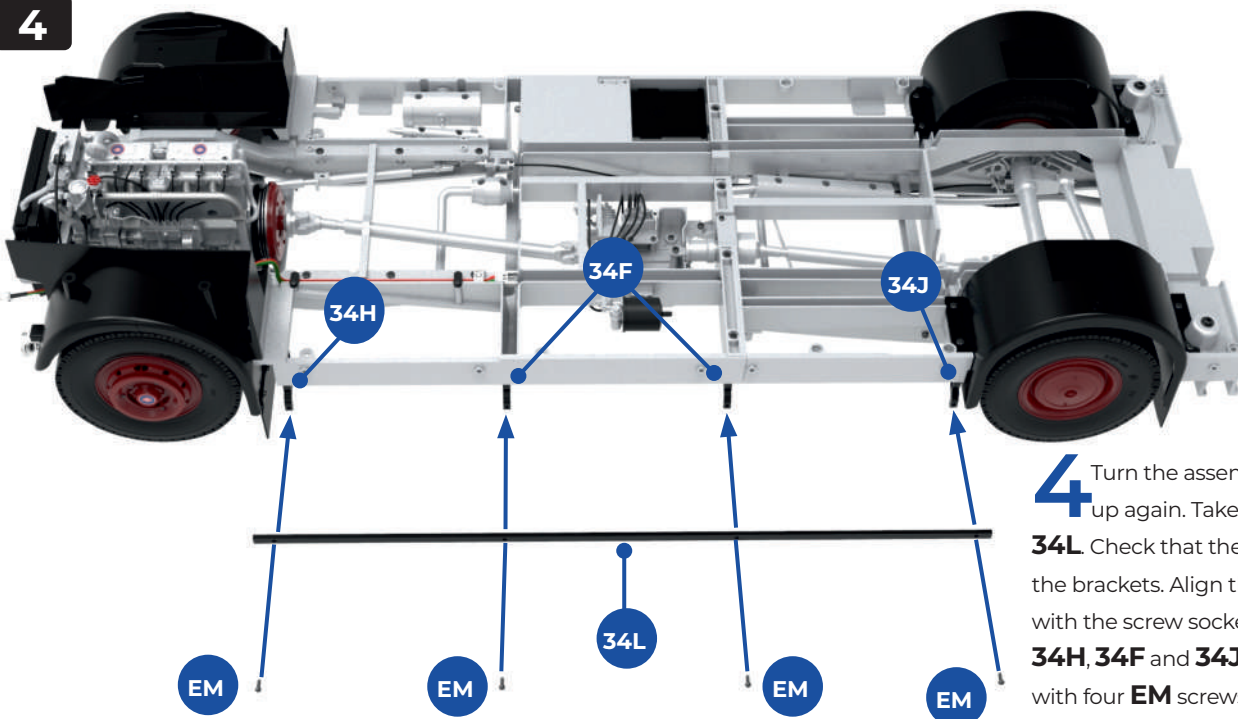


Handle the frame with care when working on the underside. The red dotted lines (below) indicate where the pegs are fitted, and the blue arrows indicate where the screws are fitted.

3 Identify the fixing points for the brackets on the underside of the crossbars of the frame **17A** and **16A**. There is a screw hole and a socket at each point (circled in red, above). Fix bracket **34H** at the front of the bus, brackets **34F** on the middle two crossbars and bracket **34J** at the rear (see inset, right). Check that you have them the right way round, so that the pegs on the brackets match the sockets and the screw holes on the brackets match the screw holes in the crossbars. Fix in place with four **CM** screws, but do not fully tighten them until the safety bar **34L** has been fitted in the next step.

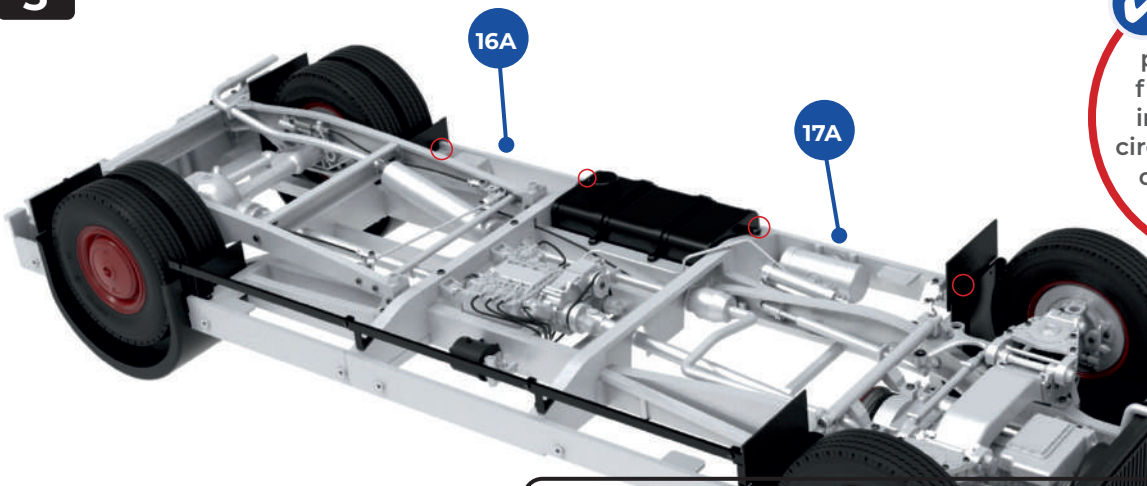


4



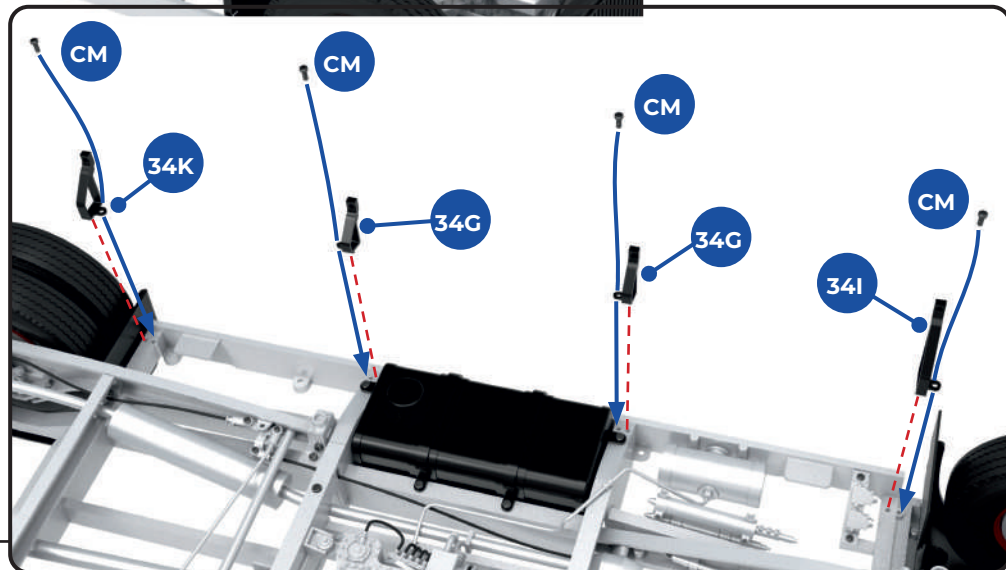
4 Turn the assembly the right way up again. Take one of the bars **34L**. Check that the holes align with the brackets. Align the four screw holes with the screw sockets in the brackets **34H**, **34F** and **34J**. Fix the bar in place with four **EM** screws and fully tighten the brackets fitted in the previous step.

5

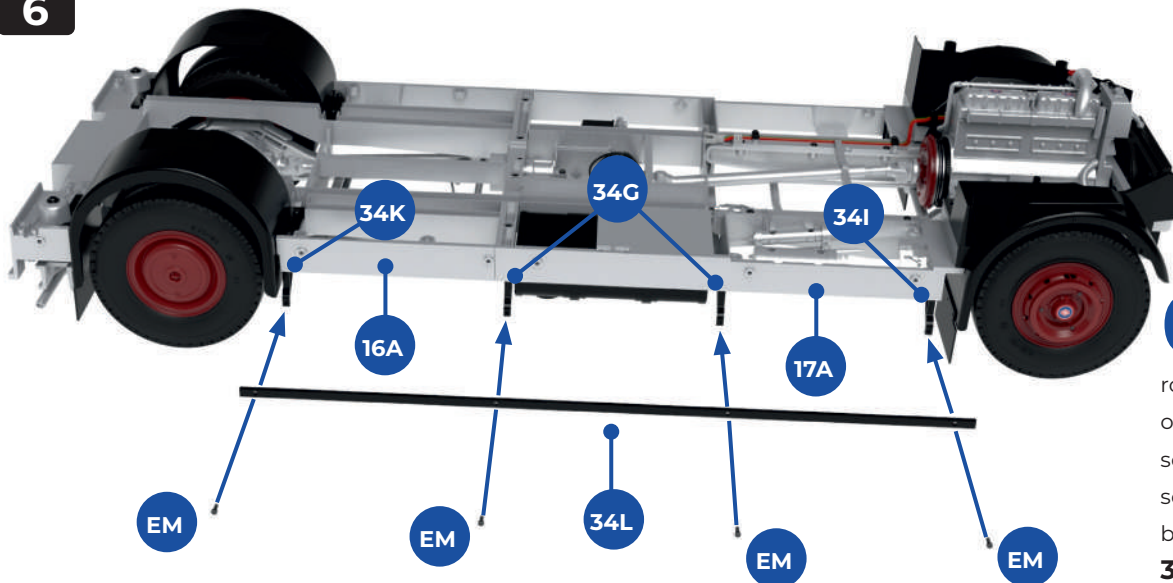


✓ The positions of the fixing points are indicated by red circles. They are not clearly visible in this diagram.

5 Identify the fixing points for the brackets on the crossbars of the frame **17A** and **16A** on the other side of the frame. Again, there is a screw hole and a socket at each point. Fix bracket **34K** at the rear of the bus, brackets **34G** on the middle two cross bars and bracket **34I** at the front (see inset, right). Check that you have them the right way round; the red dotted lines indicate which side the peg is fitted. Fix the brackets in place loosely with four **CM** screws as indicated by the blue arrows.



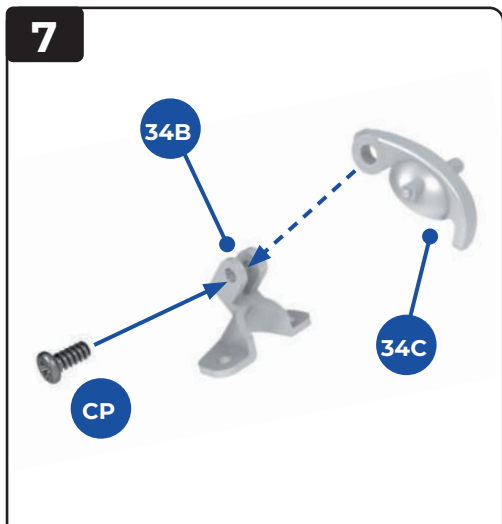
6



✓ As with steps 3 and 4, only tighten the **CM** screws to fix the brackets once the safety bar is in place.

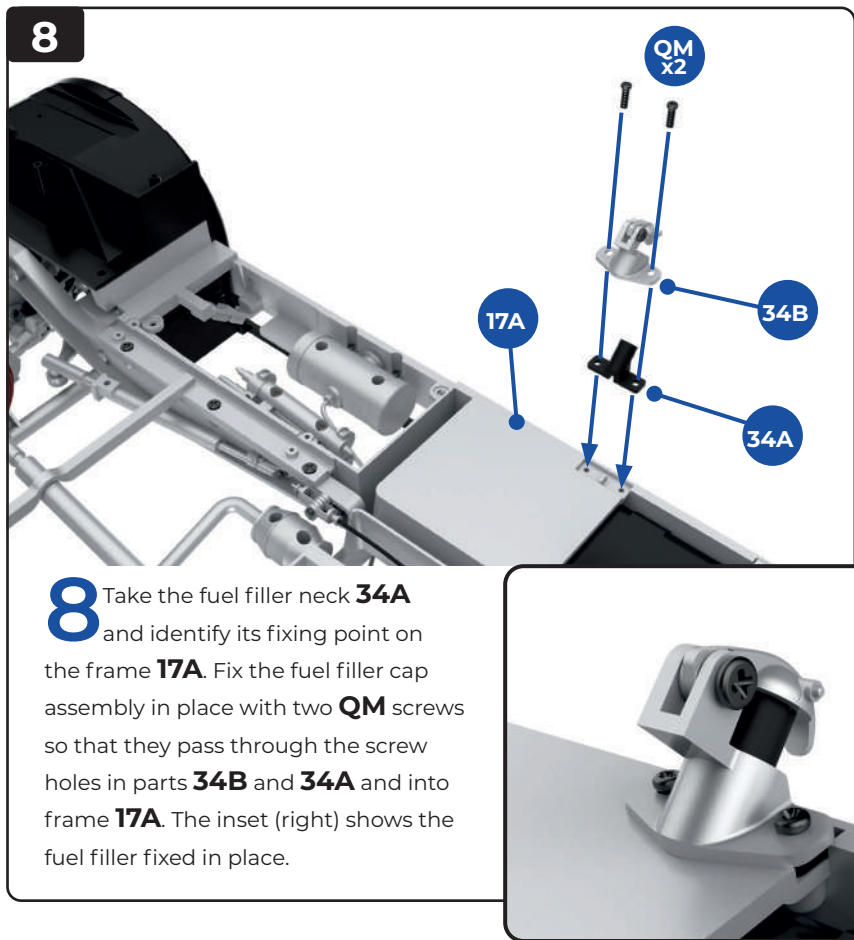
6 Take the second bar **34L**. With the rounded edges on the outside, align the four screw holes with the screw sockets in the brackets **34K**, **34G** and **34I**. Fix the bar in place with four **EM** screws.

7



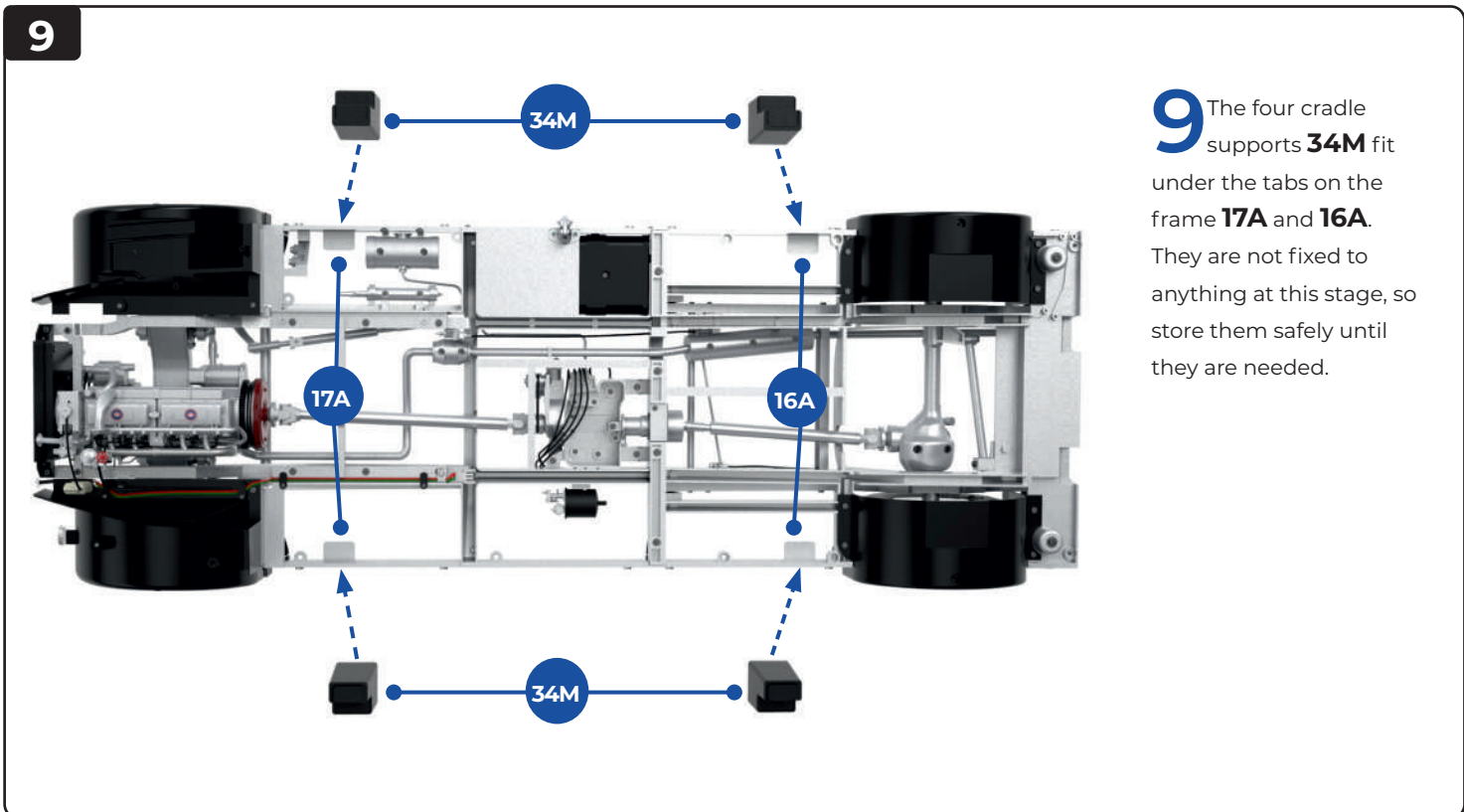
7 Take the filler cap **34C** and insert the screw eye between the arms of the fuel filler base, as indicated by the dotted line. Fix in place with a **CP** screw, passing through the screw eyes on parts **34B** and **34C** and into the screw socket on the second arm of part **34B**.

8



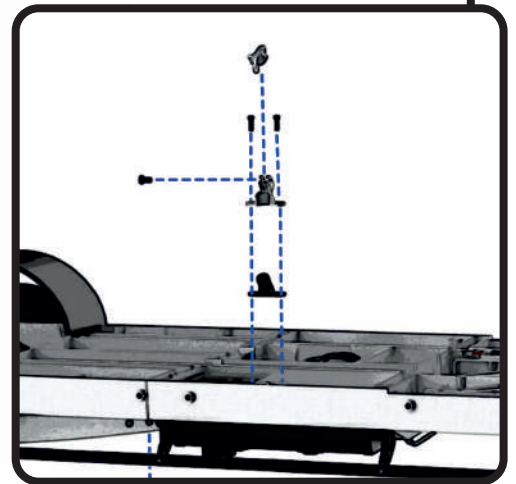
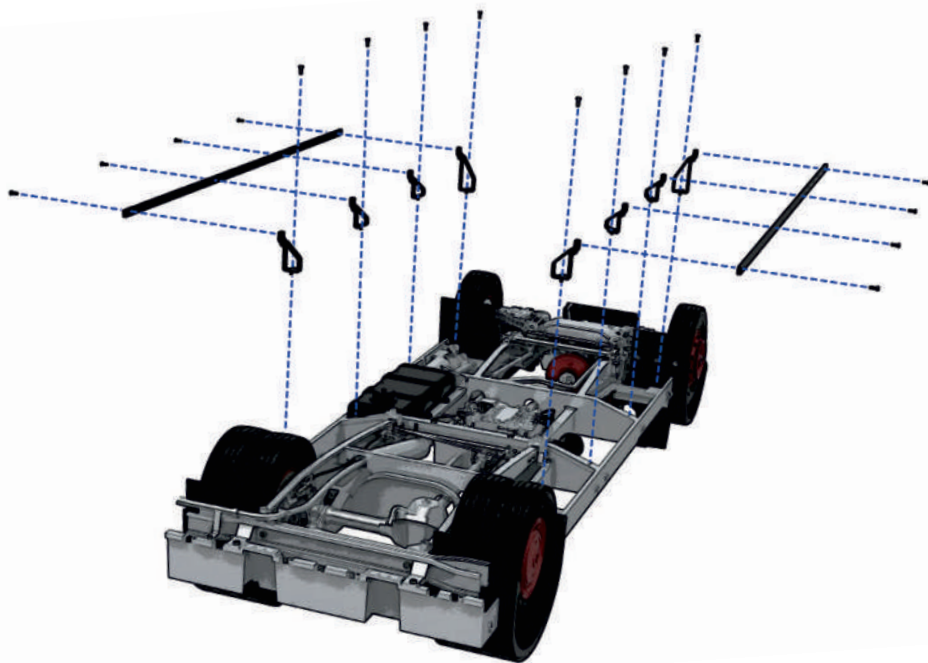
8 Take the fuel filler neck **34A** and identify its fixing point on the frame **17A**. Fix the fuel filler cap assembly in place with two **QM** screws so that they pass through the screw holes in parts **34B** and **34A** and into frame **17A**. The inset (right) shows the fuel filler fixed in place.

9



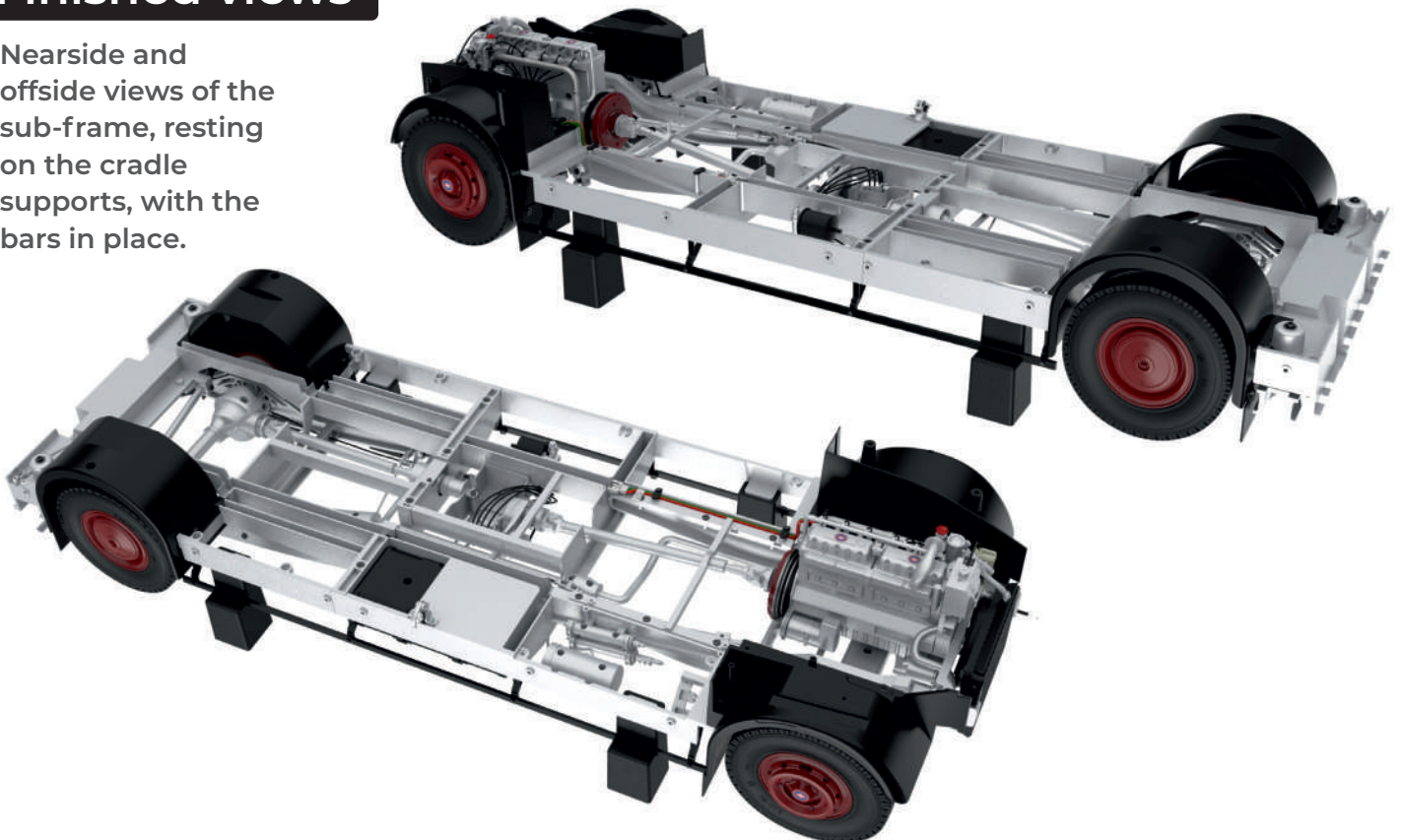
9 The four cradle supports **34M** fit under the tabs on the frame **17A** and **16A**. They are not fixed to anything at this stage, so store them safely until they are needed.

Assembly guide



Finished views

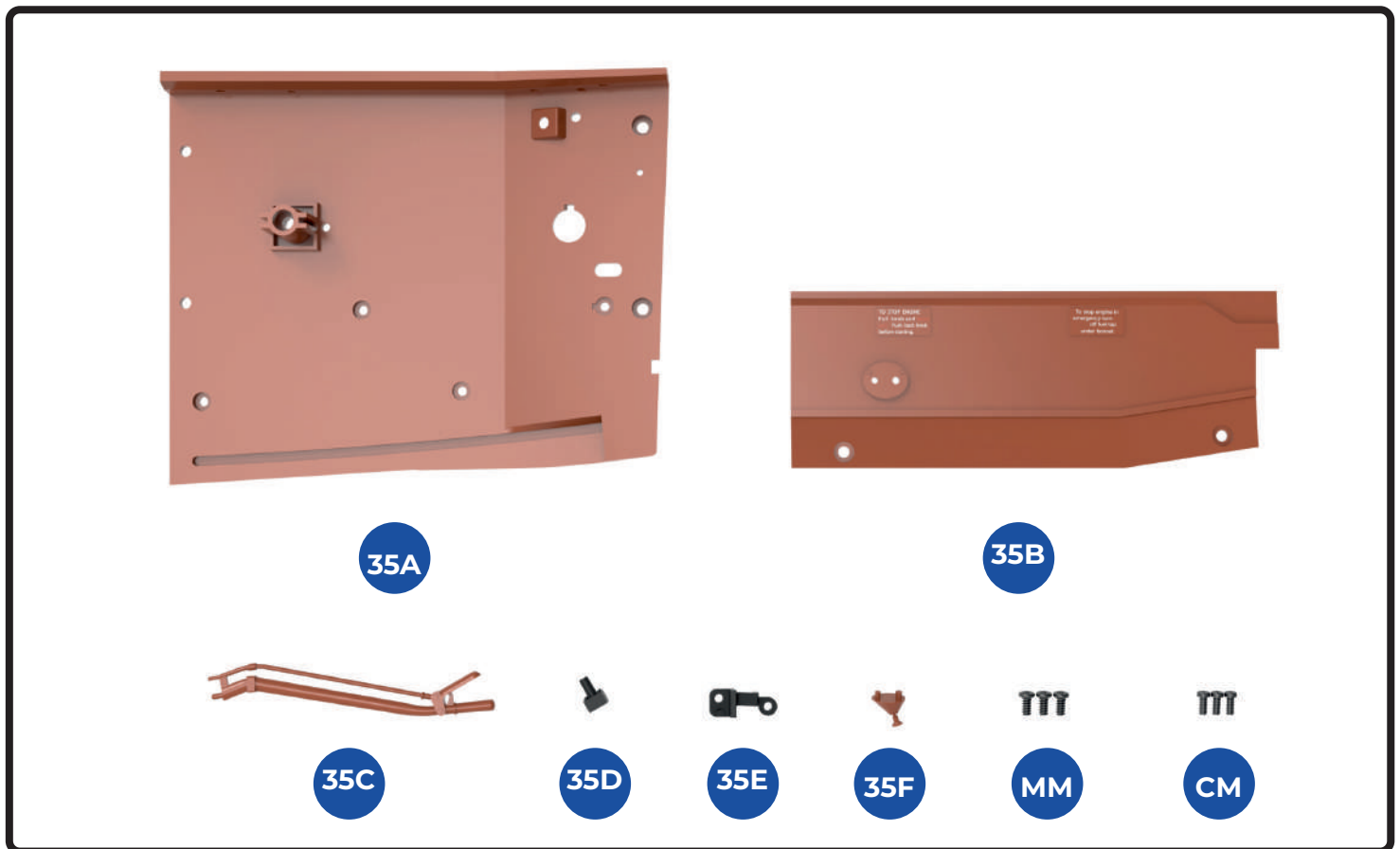
Nearside and offside views of the sub-frame, resting on the cradle supports, with the bars in place.



STAGE 35

THE FLOOR OF THE DRIVER'S CAB AND THE HANDBRAKE

The floor and nearside wall of the driver's cab are fitted together and some of the controls are then fitted in place.



KEY TO PARTS SUPPLIED

- 35A** Driver's cab floor
- 35B** Driver's cab left wall
- 35C** Handbrake
- 35D** Dip switch
- 35E** Support bracket
- 35F** Engine stop switch
- MM** 2.0 x 4mm (x3)
- CM** 1.7 x 4mm (x3)



The handbrake is positioned on the nearside of the driver's cab, against the left wall.

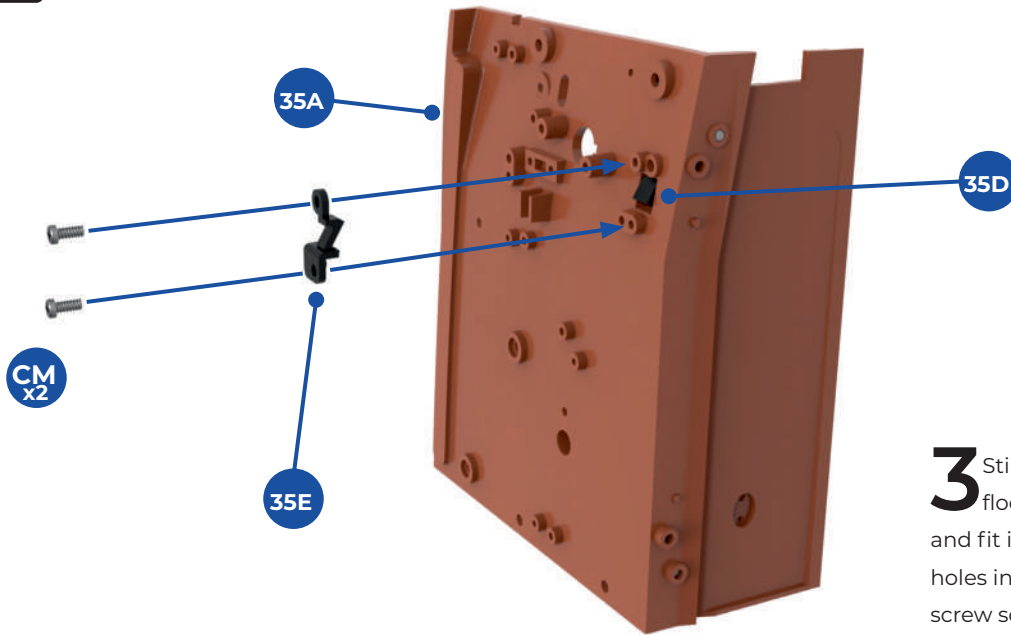
1

Take the driver's cab floor **35A** and the driver's cab left wall **35B**. With the parts oriented as shown in the diagram, align the two large screw holes on the lower edge of part **35B** with the holes in the lip of part **35A**, as indicated by the dotted lines. The locating pegs on part **35B** should fit into the corresponding sockets on part **35A**. Fix in place with two **MM** screws.

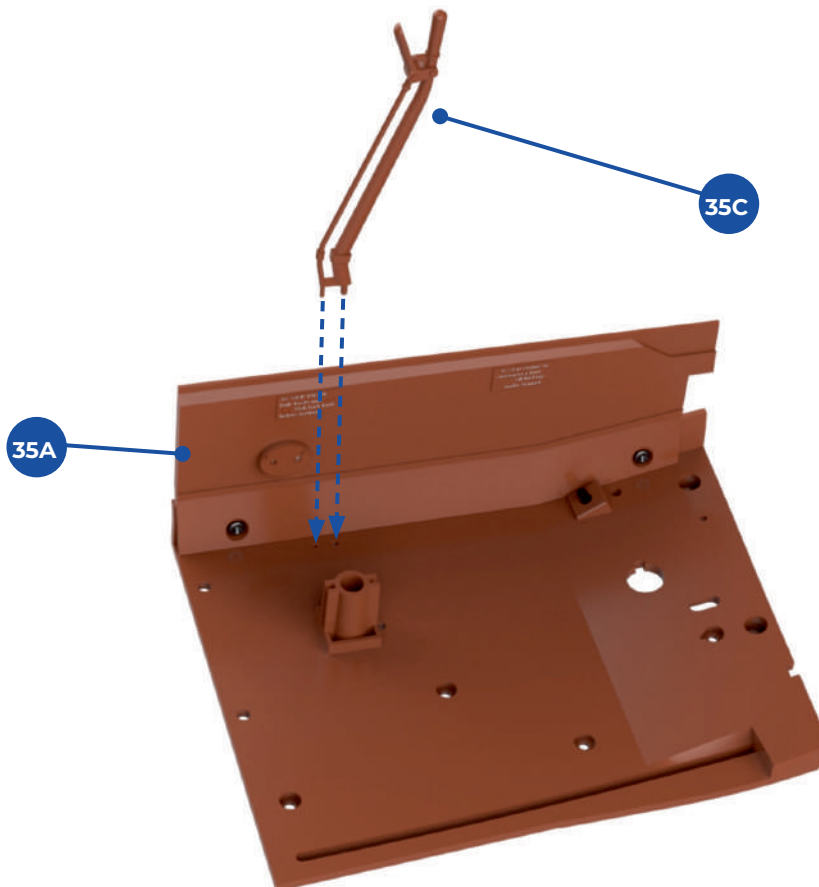
The **MM** screws are easier to access and tighten if you use a screwdriver with a long shaft.

2

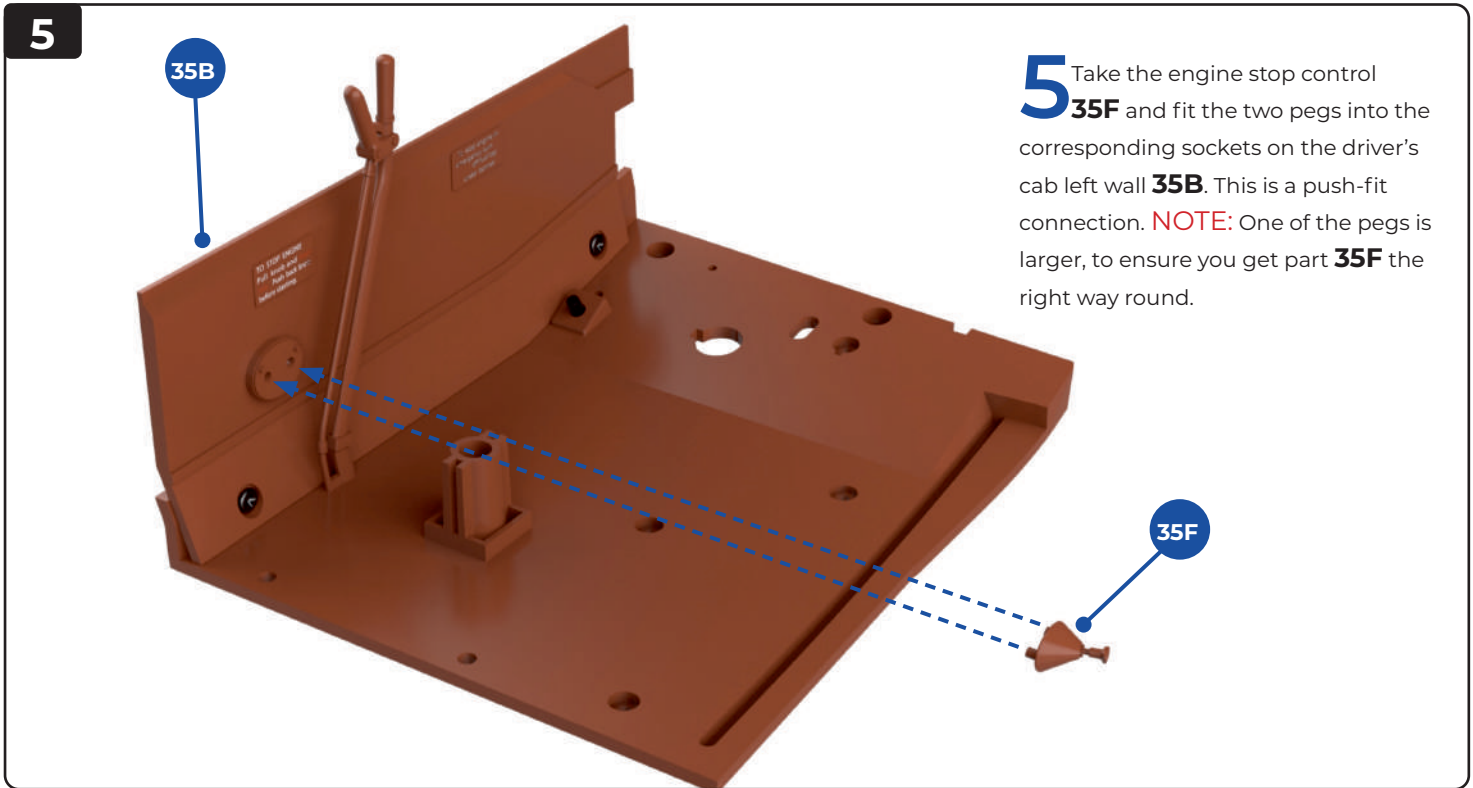
Turn the floor and wall assembly so that you can see the underside of the floor. Take part **35D** and fit it into the square socket on the underside of the floor. It will be fixed in place in step 3.

3

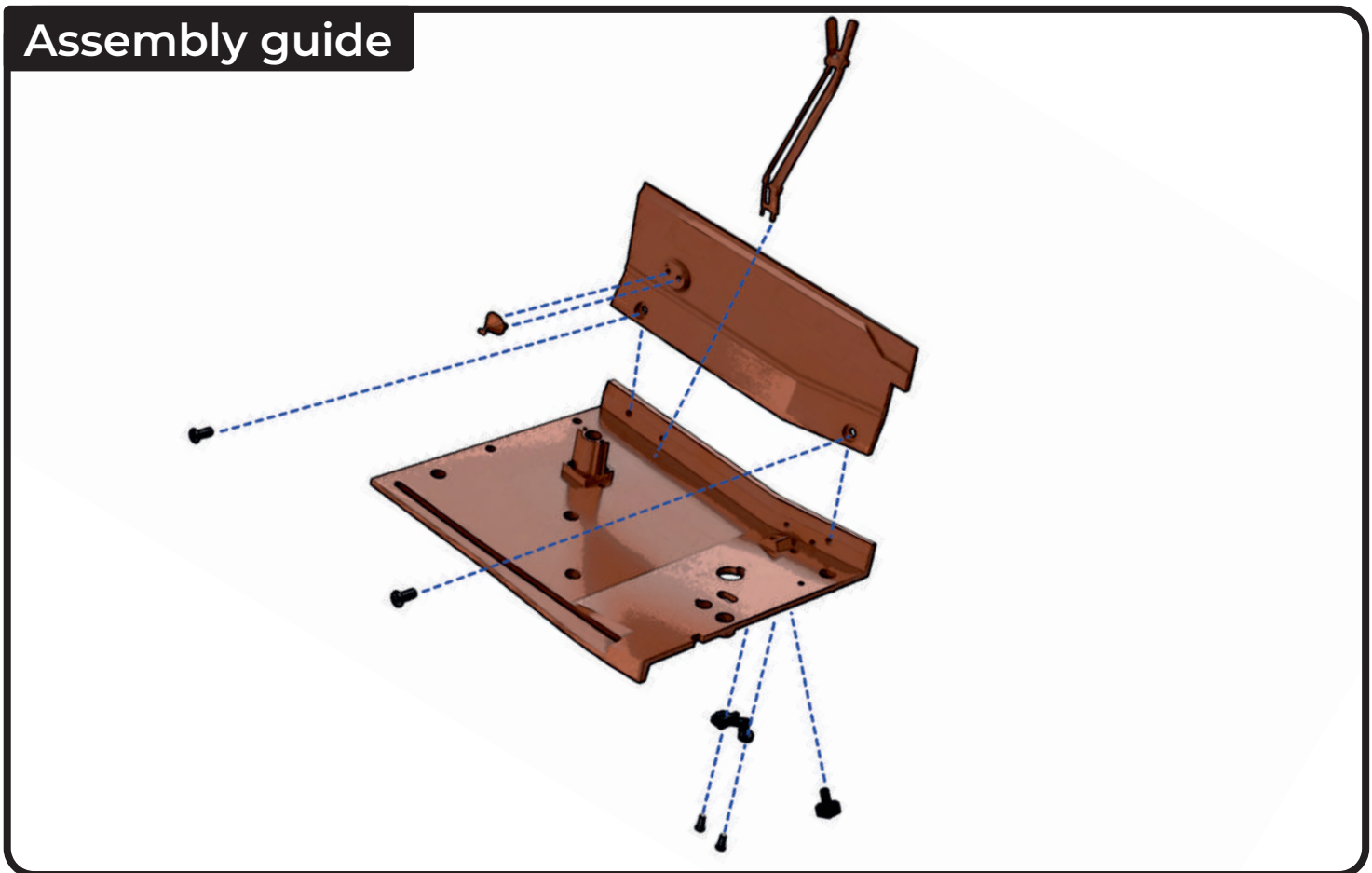
3 Still working on the underside of the floor, take the support bracket **35E** and fit it over the part **35D** so that the holes in part **35E** align with the raised screw sockets in part **35A**, on either side of part **35D**. Fix in place with two **CM** screws.

4

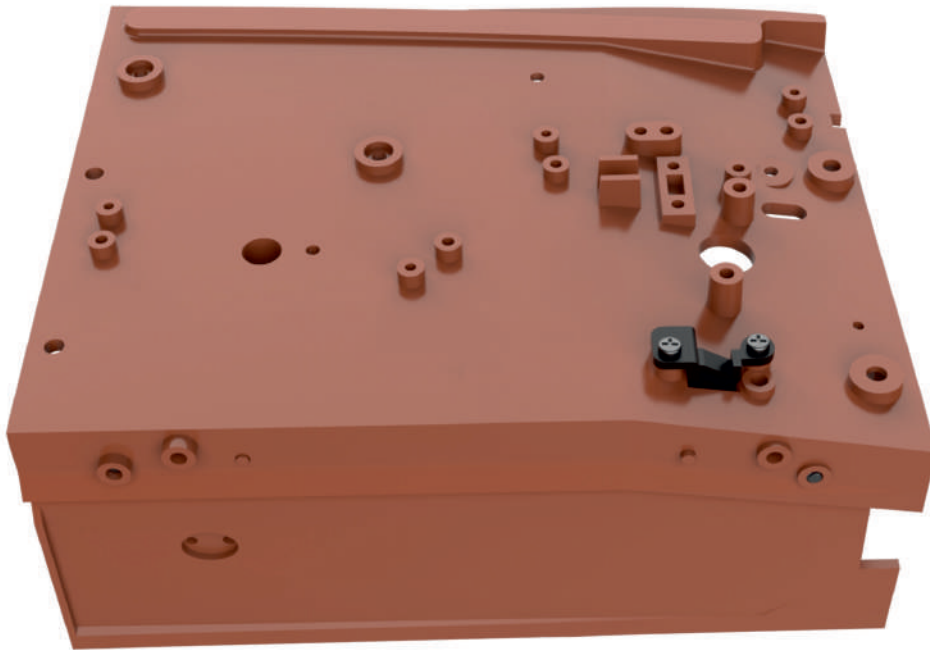
4 Take the handbrake **35C** and identify the fixing point in the cab floor **35A**. Fix the pegs on the lower end of part **35C** into the corresponding sockets. This is a push-fit connection.



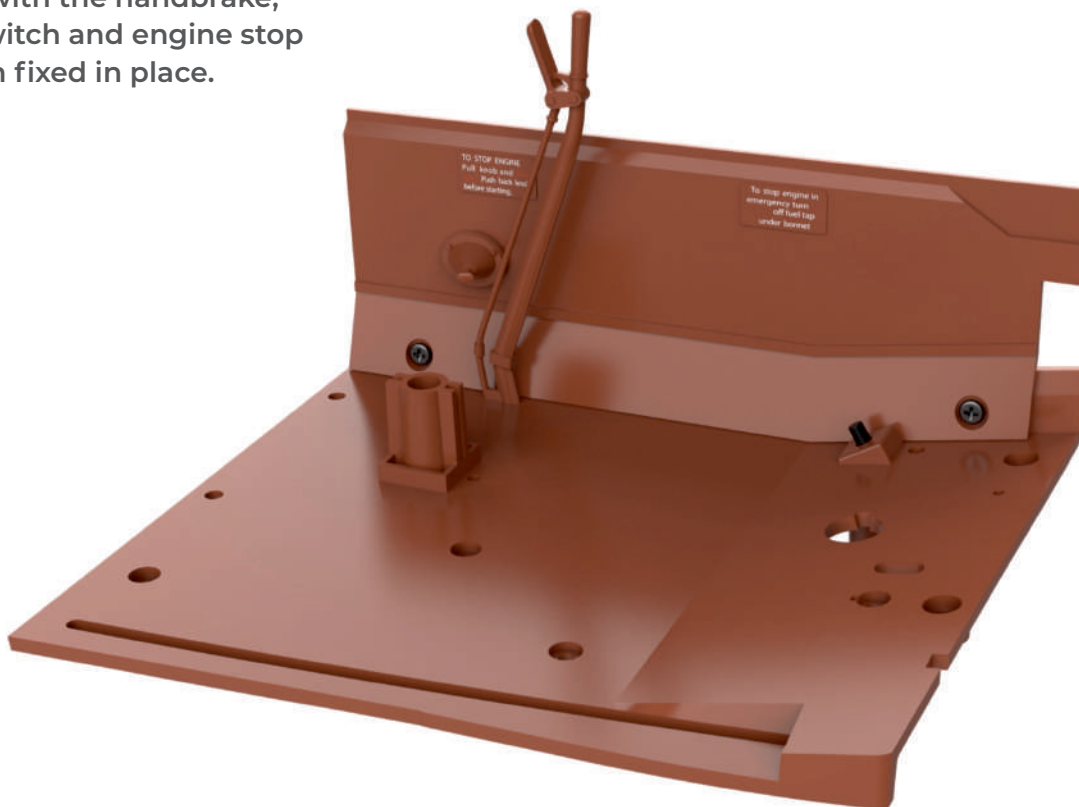
Assembly guide



Finished views



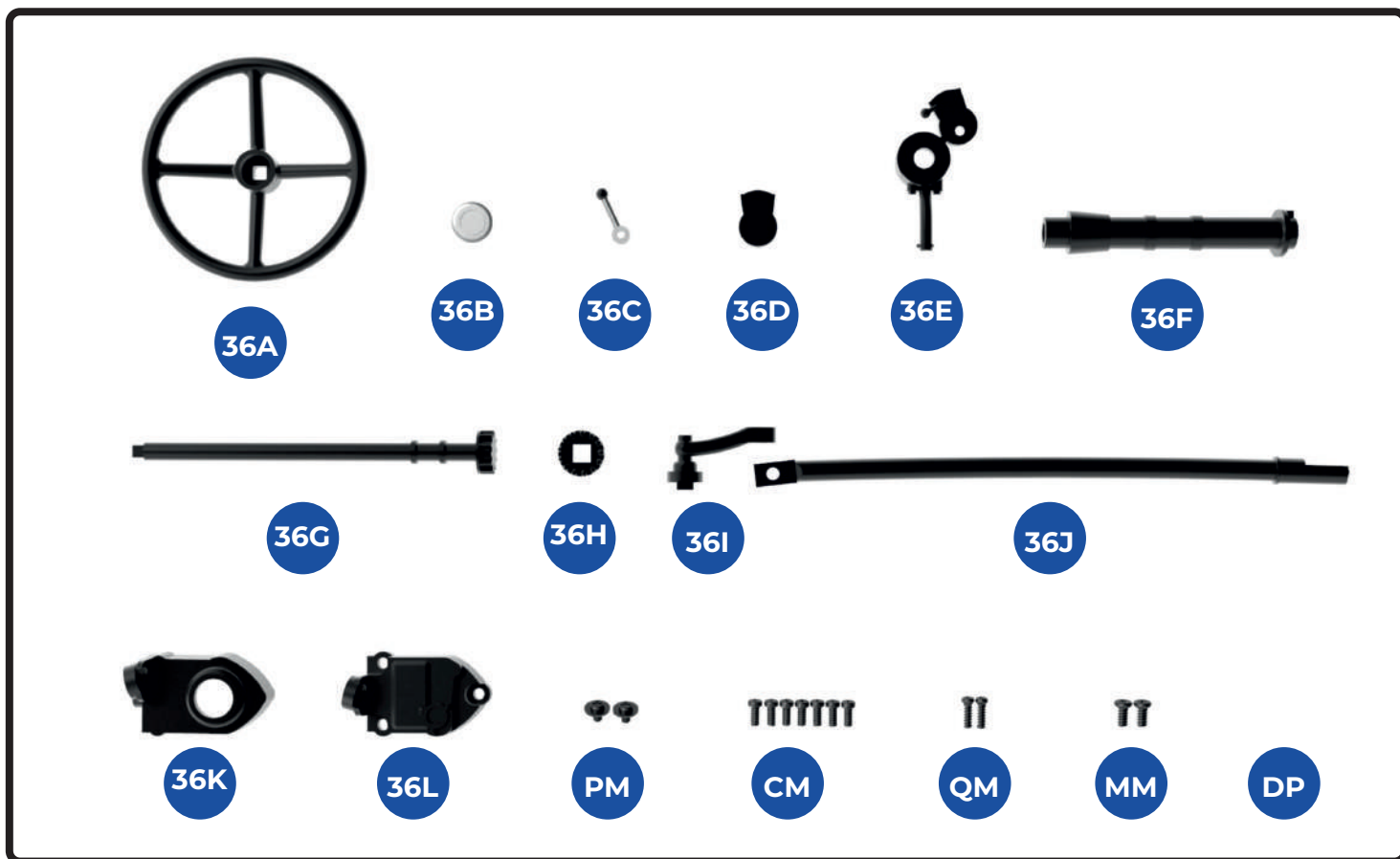
Two views of the driver's cab floor with the handbrake, dip switch and engine stop switch fixed in place.



STAGE 36

THE FLOOR OF THE DRIVER'S CAB AND THE HANDBRAKE

The floor and nearside wall of the driver's cab are fixed together and some of the controls are then fitted in place.



KEY TO PARTS SUPPLIED

- 36A** Steering wheel
- 36B** Cap
- 36C** Gear lever
- 36D** Gear lever cover
- 36E** Horn column and gear lever housing
- 36F** Steering column
- 36G** Steering shaft
- 36H** Steering gear
- 36I** Rocker lever

- 36J** Push rod
- 36K** Gear box
- 36L** Gear box
- PM** 1.7 x 3 x 5mm (x2)
- CM** 1.7 x 4mm (x6)
- QM** 1.7 x 5mm (x2)
- MM** 2.0 x 4mm (x2)
- DP** 1.7 x 4mm (x2)

1

Fit the raised square section of the rocker lever **36I** into the opening in the gear box section **36K**. Fit the square opening in the steering gear **36H** over the raised square section of **36I**. Fix in place with a **PM** screw.

2

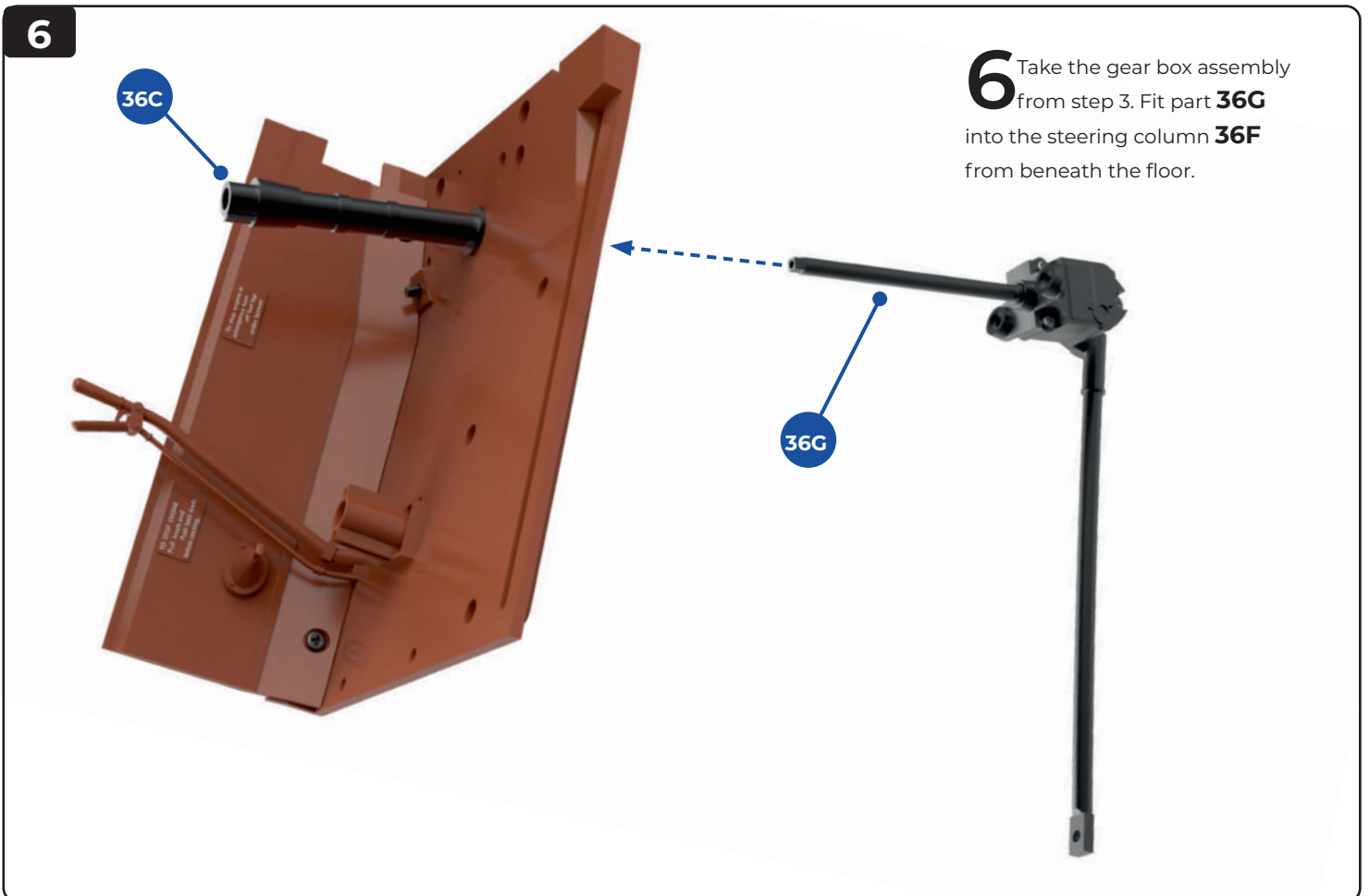
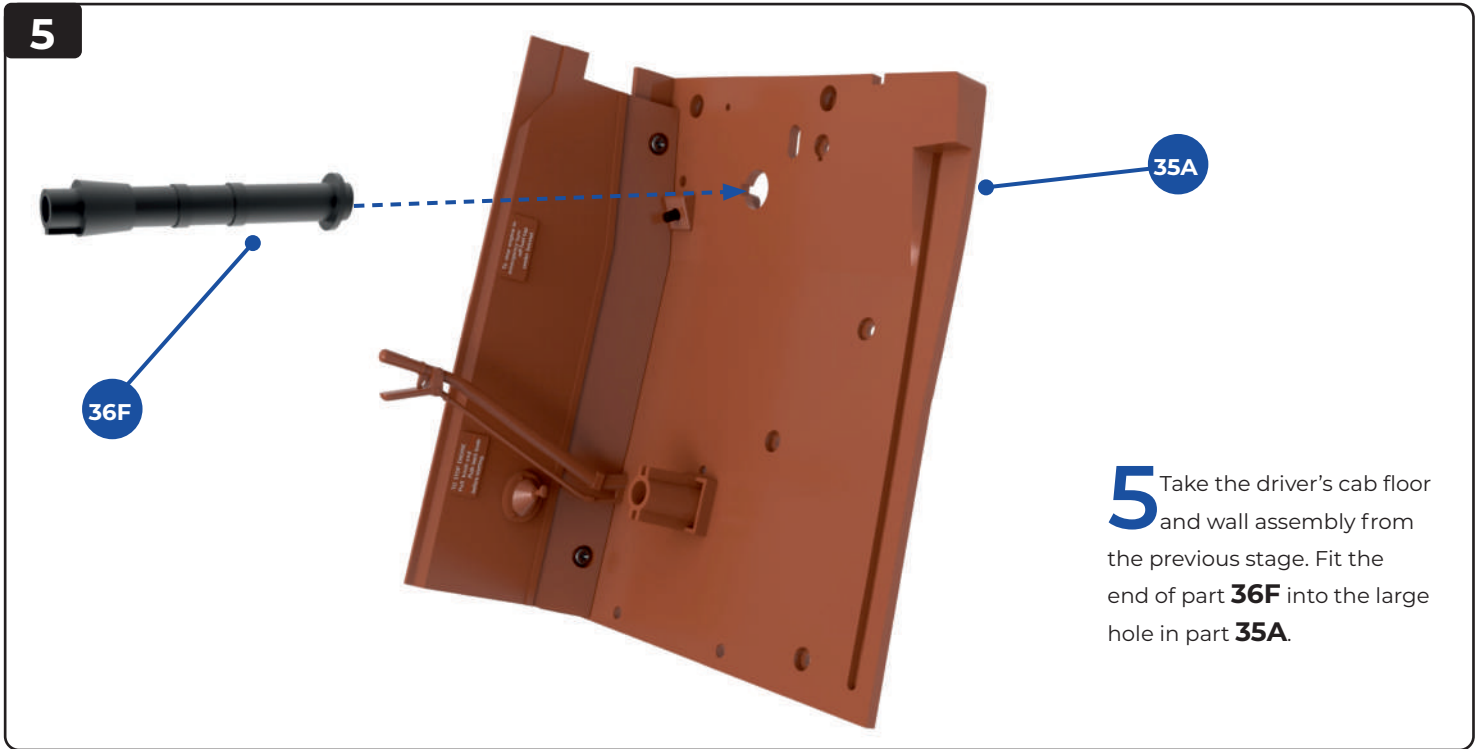
Take the steering shaft **36G** and fit it into the gear box section **36K**. Ensure the ridges on part **36G** fit into the neck of part **36K**, as indicated by the red dotted lines. The teeth on the end of part **36G** should connect with the teeth on part **36H**. Fit the second gear box section **36L** so that the end of part **36G** is enclosed. Fix in place with three **CM** screws as shown.

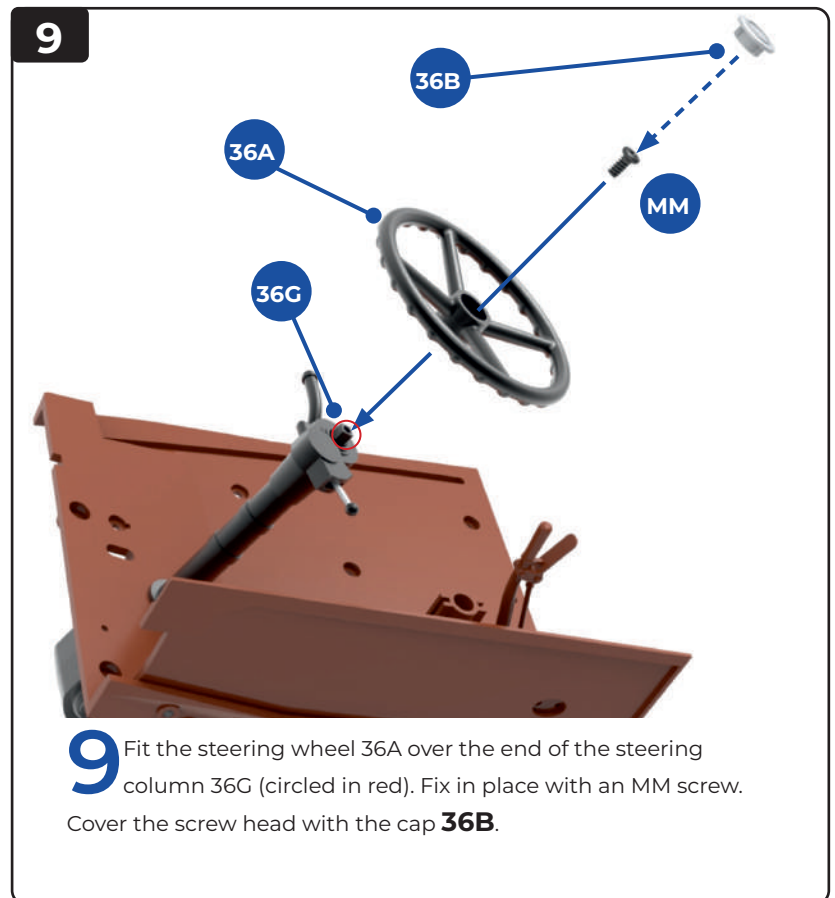
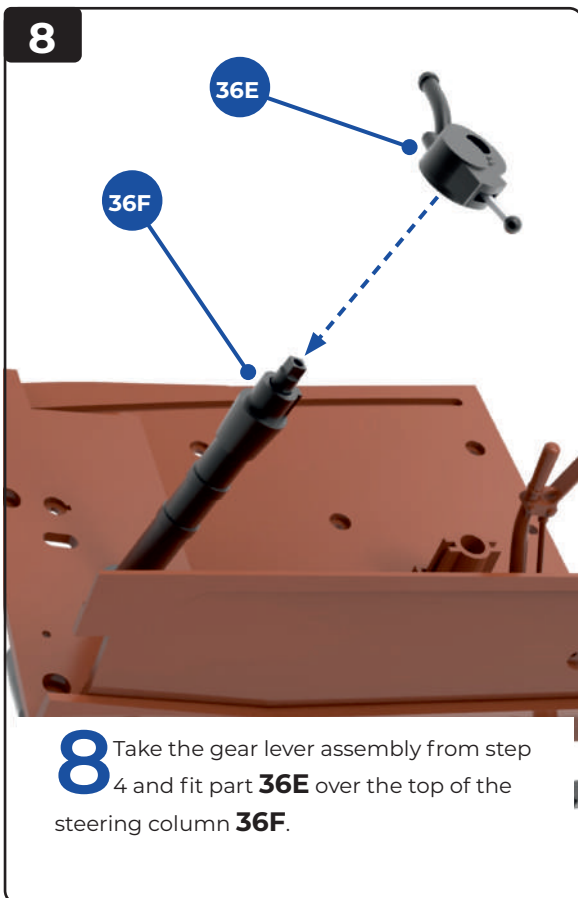
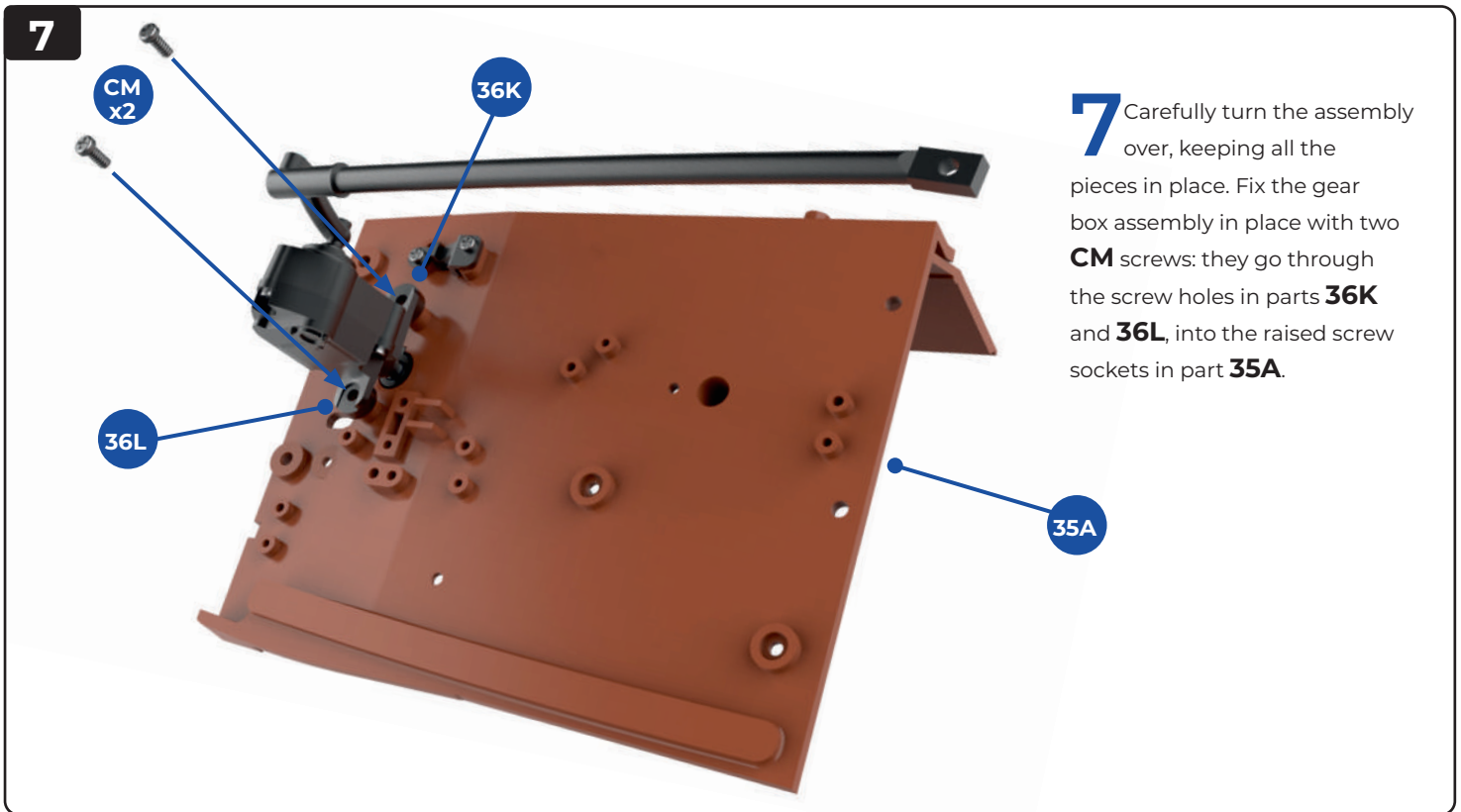
3

Fit the socket on the push rod **36J** over the peg on the end of part **36I**. Fix in place with a **QM** screw. Do not overtighten.

4

Fit the hole in the end of the gear lever **36C** over the peg in the gear lever housing section of part **36E** as indicated by the blue dotted line. Fit the gear lever cover **36D** over the gear lever to hold it in place. Fix in place with a **DP** screw.





Finished views



The driver's cab floor with the steering column in place. The horn and gear lever are attached to the column.

Store carefully, to avoid damaging the push rod beneath the floor.

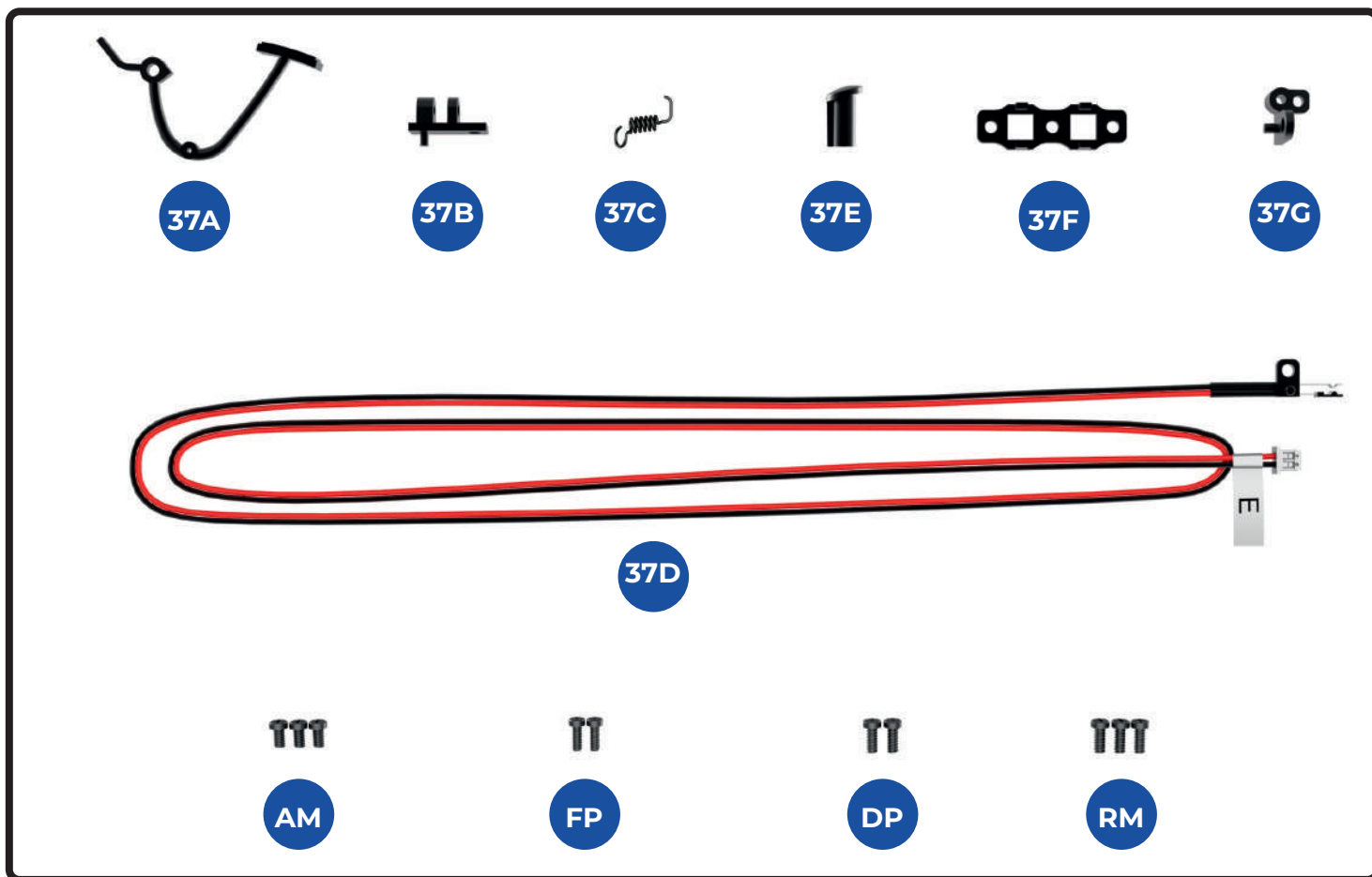


In this view of a Routemaster cab, the horn column is on the right below the steering wheel and the gear lever is just visible on the left.

STAGE 37

BRAKE PEDAL AND ACCELERATOR

Several small parts are supplied in this stage, which enable you to fit the brake pedal and accelerator pedal. The brake pedal has a cable connection that will eventually connect with the rear brake lights.



KEY TO PARTS SUPPLIED

37A	Brake pedal
37B	Brake pedal hinge
37C	Return spring
37D	Brake switch cable
37E	Accelerator pedal
37F	Back panel (keep for use in stage 38)
37G	Switch mount

AM	1.7 x 3mm (x3)
FP	1.5 x 4mm (x2)
DP	1.7 x 4mm (x2)
RM	1.7 x 4mm (x3)

1

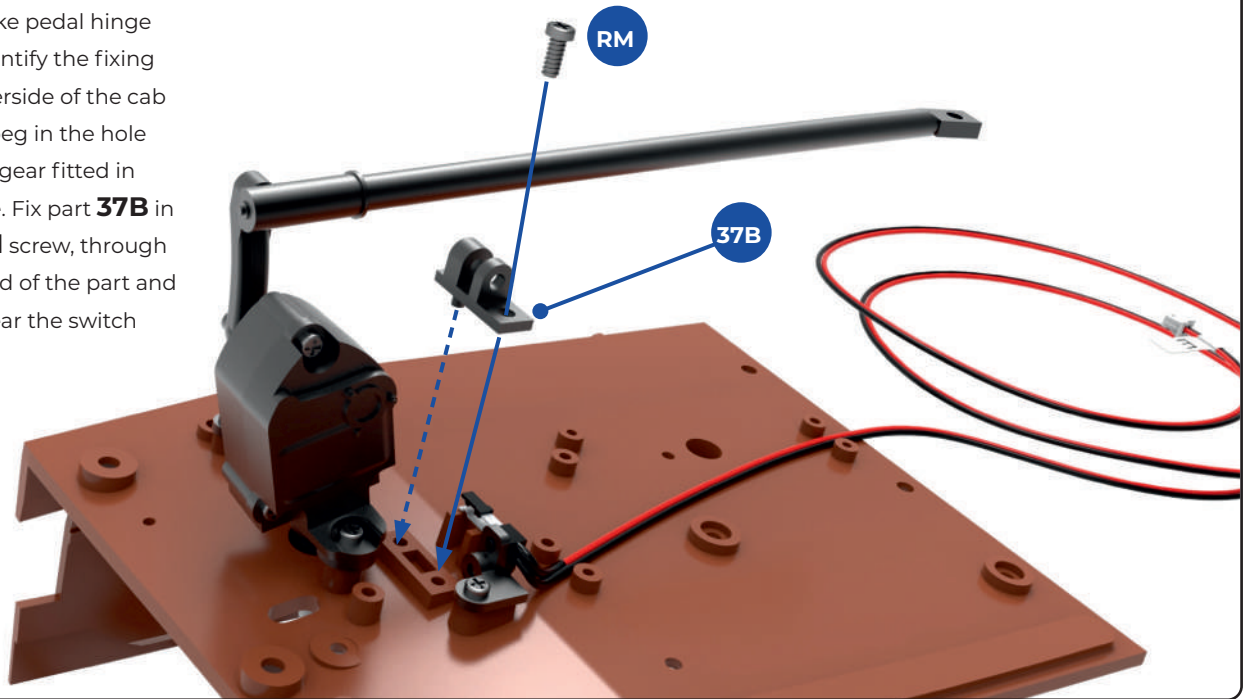
Take the brake switch cable **37D** and the switch mount **37G**. Check the parts are correctly aligned, as shown in the diagram. Fix in place with an **FP** screw (inset, right). The second inset (above right) shows the parts fixed together from a different angle. **NOTE:** Keep the wires straight at this stage, they will be bent, as shown here, in the next step.

2

Turn over the cabin floor (**35A**), with all parts carefully supported. Identify the fixing point (circled in blue, left) for the switch mount **37G**. With the cable bent away from the switch mount, fit the peg on the switch mount into the hole on the right in the diagram. Fix the switch mount in place with an **AM** screw, into the hole on the left (inset, below).

3

3 Take the brake pedal hinge **37B** and identify the fixing point on the underside of the cab floor. Locate the peg in the hole near the steering gear fitted in the previous issue. Fix part **37B** in place with an **RM** screw, through the hole at the end of the part and into the socket near the switch fitted in step 2.



4

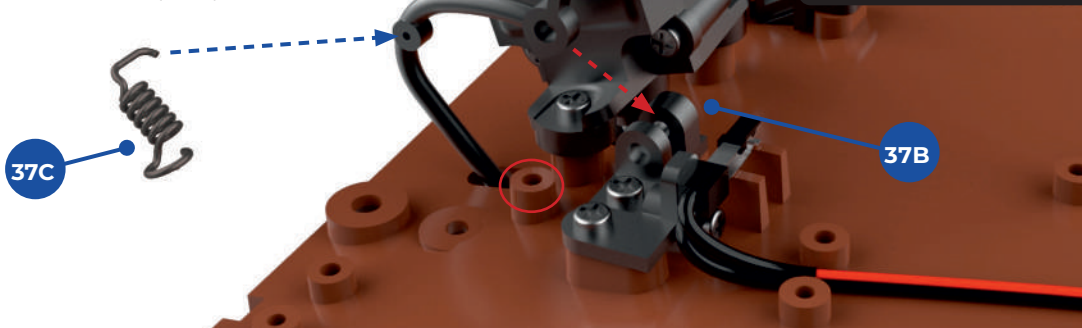
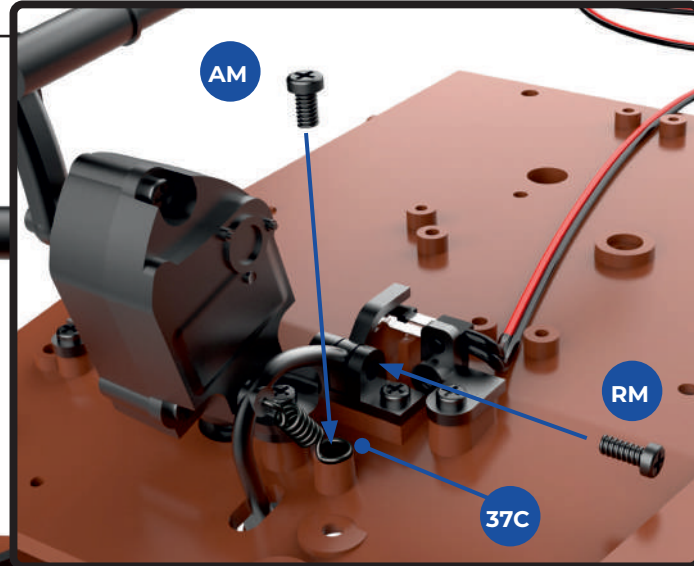
4 Take brake pedal **37A**. Check the orientation of the brake pedal. With the driver's cab assembly the right way up, fit the end of the brake pedal through the hole in the floor near the steering column. Feed the brake pedal through the hole so that there is only a short stem showing above the floor.



The next two steps give details of how the brake pedal is held in place. You will need to hold the brake pedal in place until it is properly fixed.

5

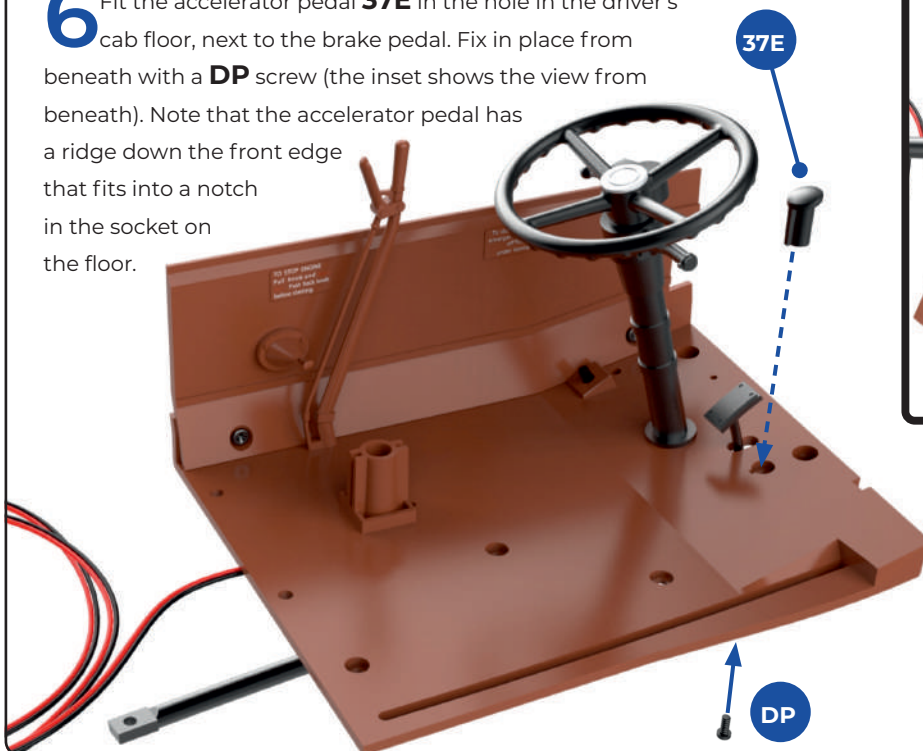
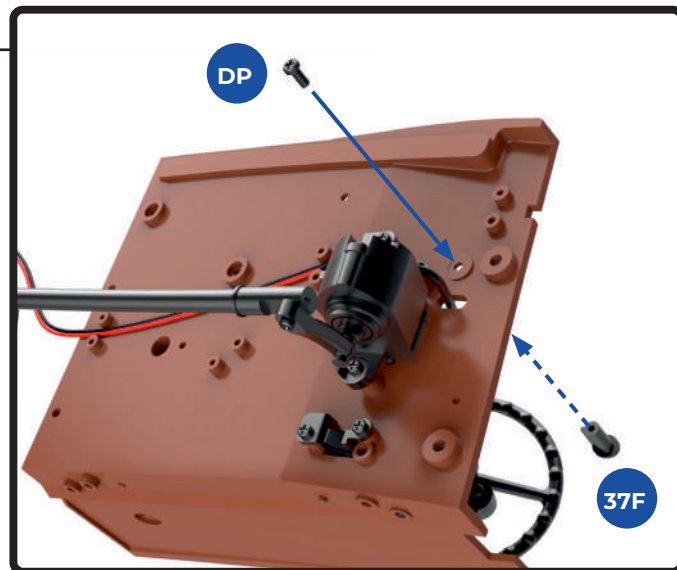
5 Working on the underside of the floor, align the large socket on the brake pedal **37A** with the gap in the brake pedal hinge **37B** as indicated by the red dotted line. Using an **RM** screw, pass it through the hole in the brake pedal and the brake hinge to secure the pedal in place (inset). Take the spring **37C** and check the orientation. Fit one end into the socket half-way along the brake pedal, as indicated by the blue dotted line. Fit the other, looped end over the screw socket (circled in red) on the underside of the cab floor and fix in place with an **AM** screw (inset).



You may find it easier to temporarily remove the cable assembly fitted in step 2 whilst completing this step.

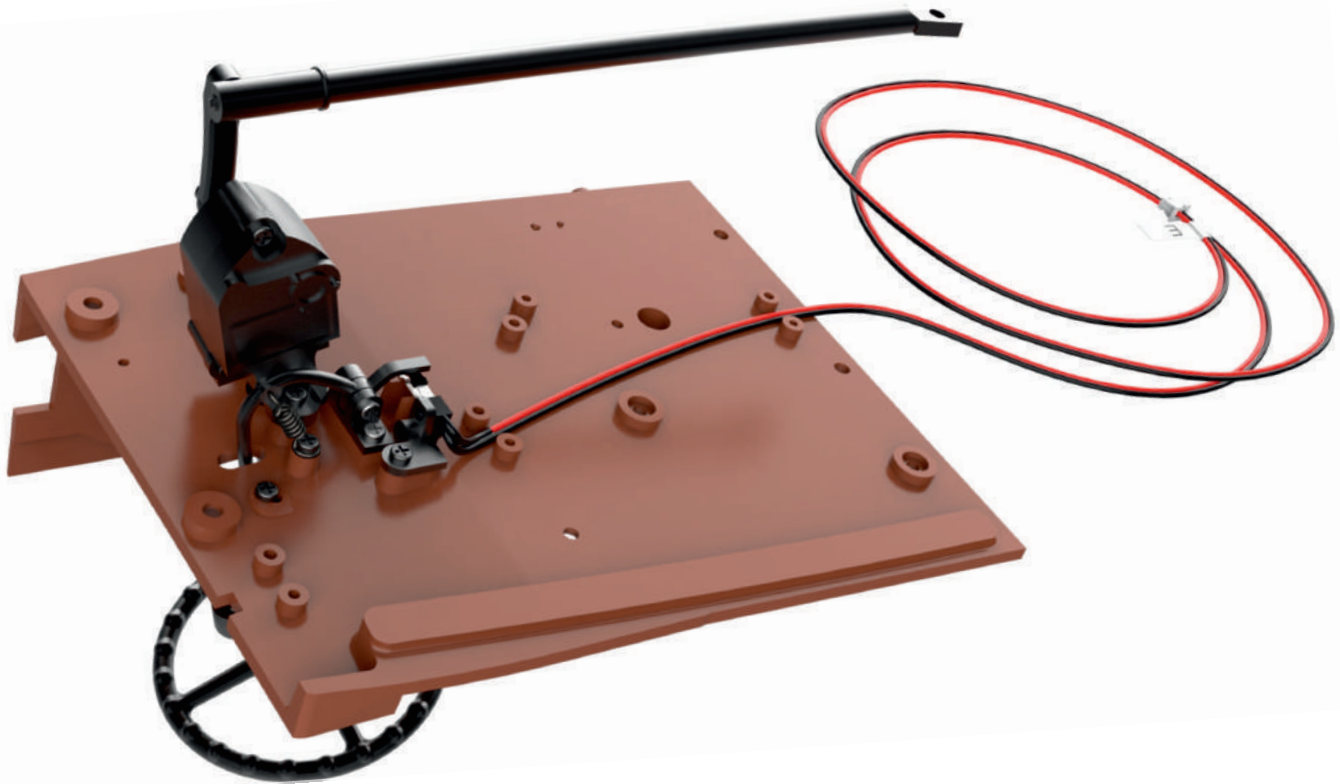
6

6 Fit the accelerator pedal **37E** in the hole in the driver's cab floor, next to the brake pedal. Fix in place from beneath with a **DP** screw (the inset shows the view from beneath). Note that the accelerator pedal has a ridge down the front edge that fits into a notch in the socket on the floor.

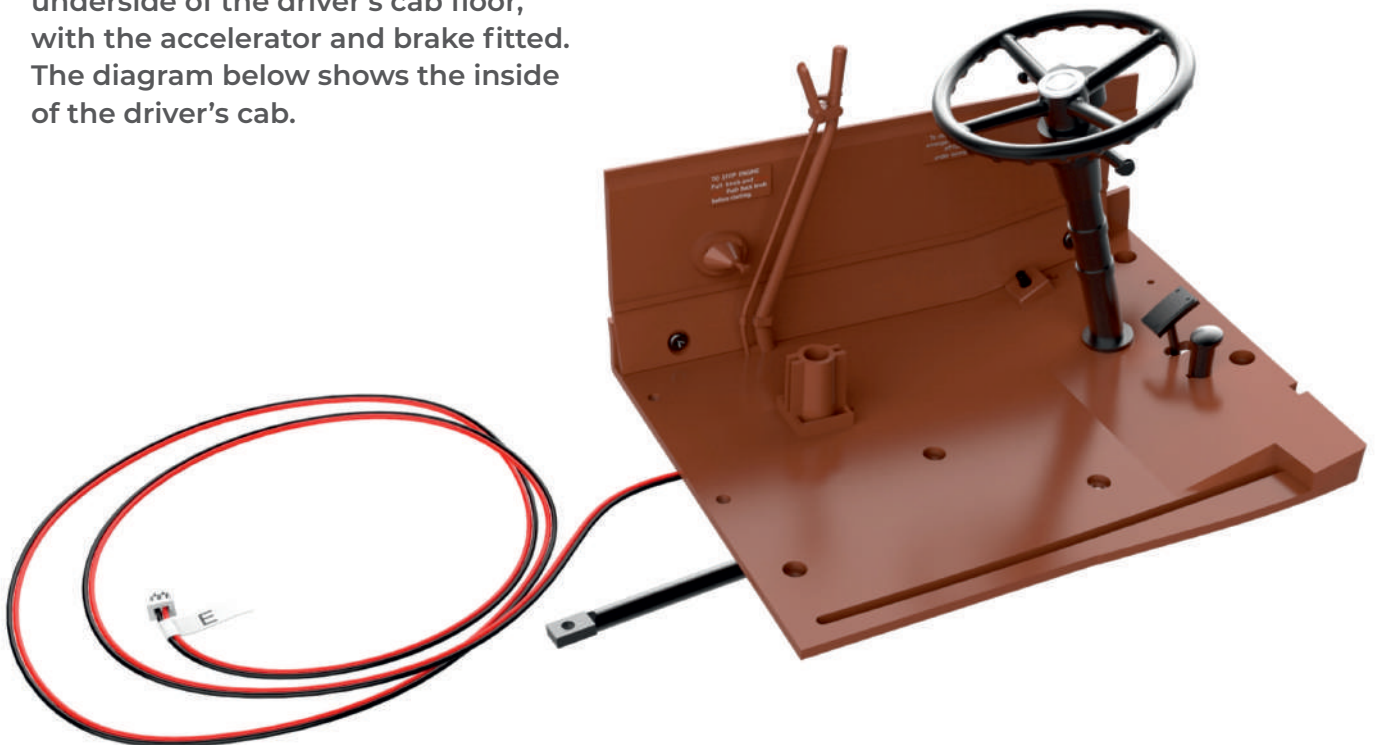


If you find the screw a tight fit, try test-fitting the screw fully before attaching the part to the floor.

Finished views



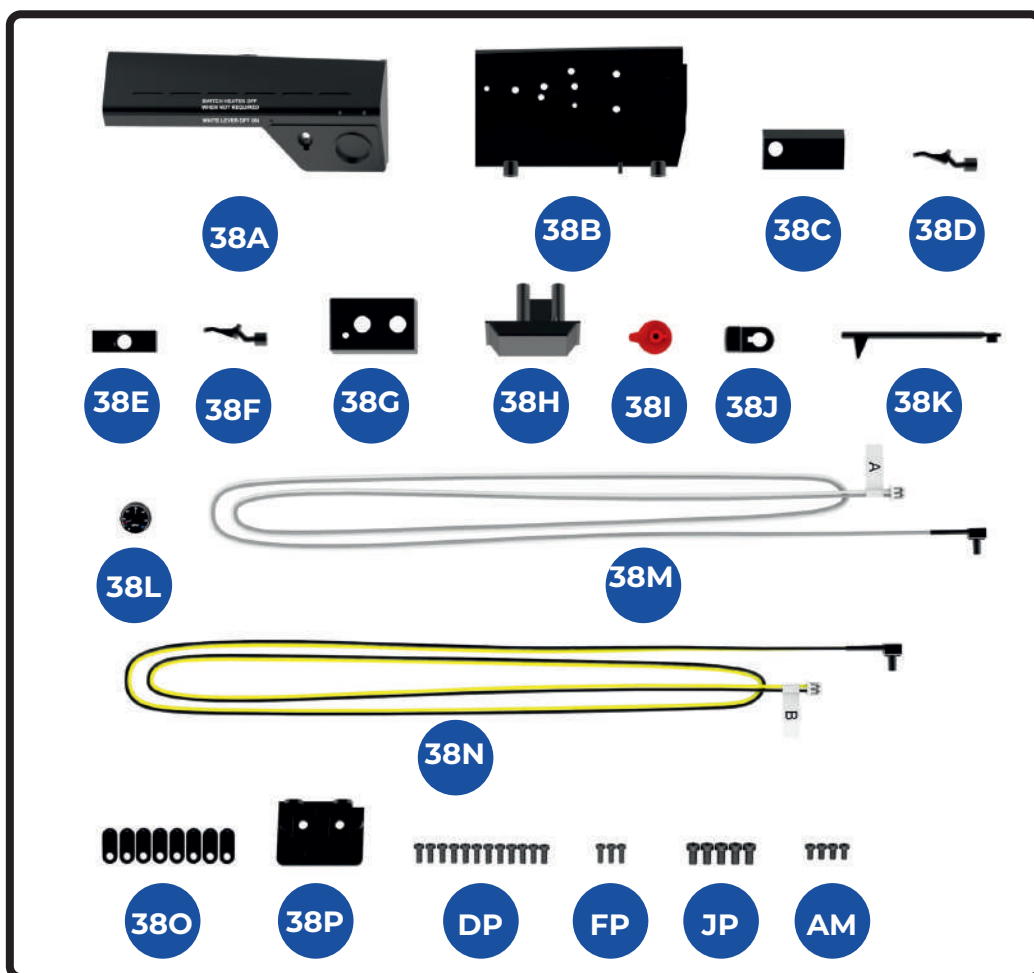
The diagram above shows the underside of the driver's cab floor, with the accelerator and brake fitted. The diagram below shows the inside of the driver's cab.



STAGE 38

FITTING THE DASHBOARD AND ACCESSORIES IN THE CAB

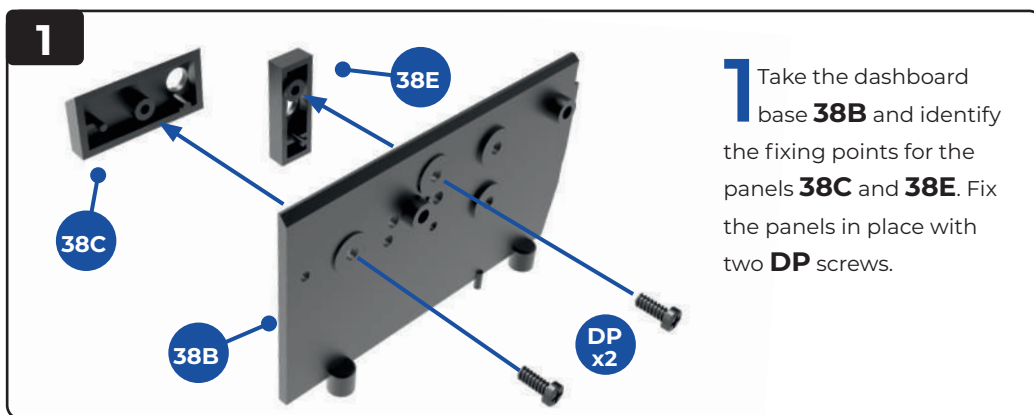
The main elements of the dashboard are supplied with this stage. The indicator switch and speedometer are fitted in place and the assembly is fixed to the cab floor, with cables attached.



KEY TO PARTS SUPPLIED

- 38A** Dashboard
- 38B** Dashboard base
- 38C** Panel
- 38D** Right control lever
- 38E** Panel
- 38F** Left control lever
- 38G** Instrument box cover
- 38H** Cover
- 38I** Indicator switch
- 38J** Switch base
- 38K** Post
- 38L** Speedometer
- 38M** Electric switch
- 38N** Electric switch
- 38O** Cable clips (x8, five spare)
- 38P** Electric switch panel

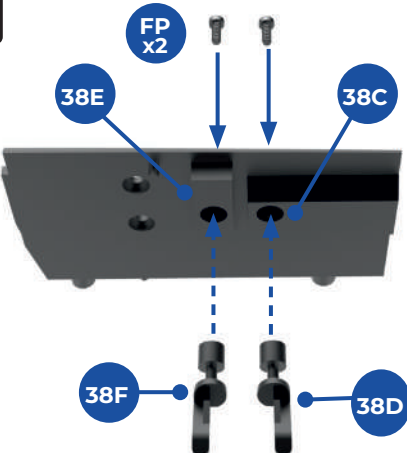
- DP** 1.7 x 4mm (x12)
- FP** 1.5 x 4mm (x3)
- JP** 2.3 x 4mm (x5)
- AM** 1.7 x 3mm (x4)



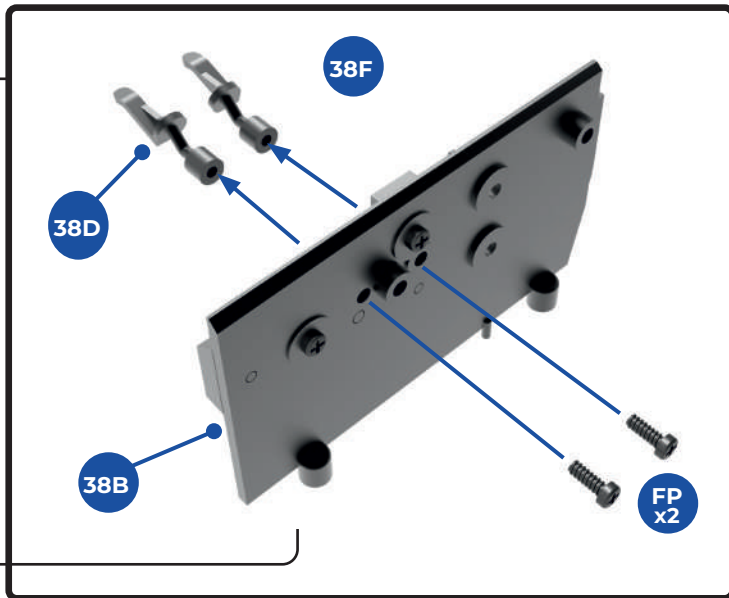
1 Take the dashboard base **38B** and identify the fixing points for the panels **38C** and **38E**. Fix the panels in place with two **DP** screws.



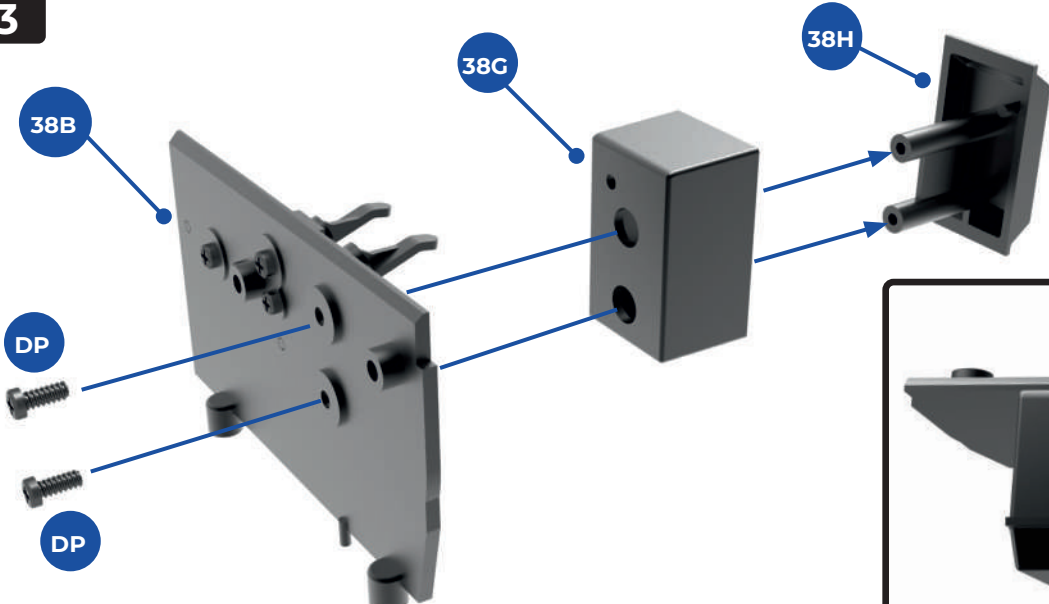
2



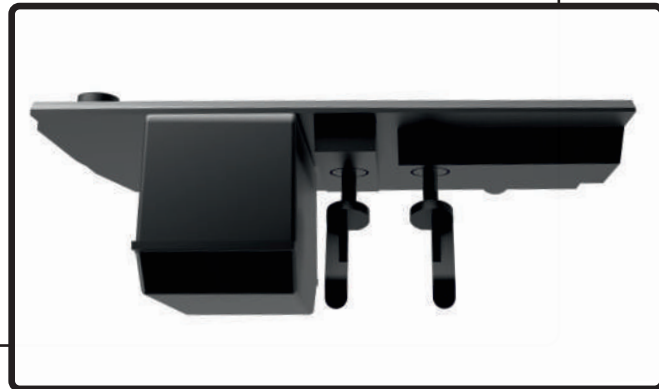
Take the right and left control levers, **38D** and **38F**. Fit them into the sockets on the panels **38C** and **38E** (fitted to part **38B** in the previous step). Fix in place with two **FP** screws, as shown in the inset, right.



3

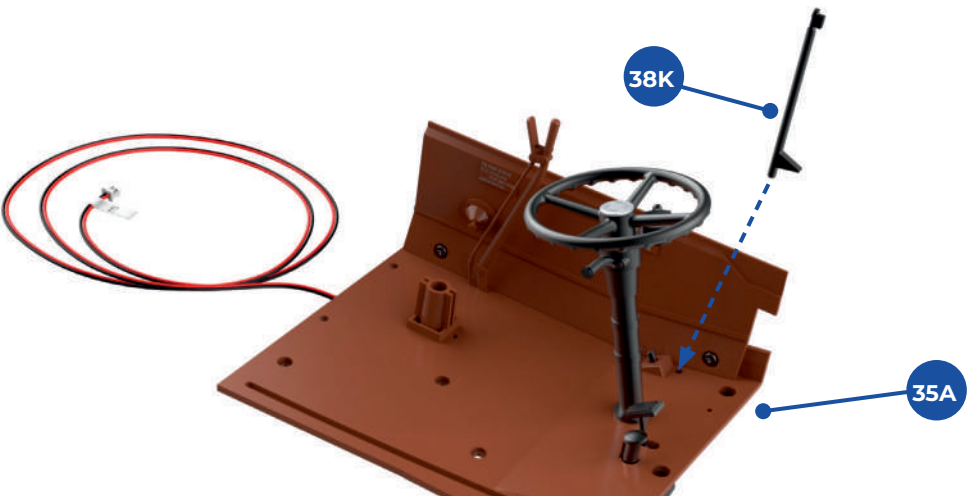


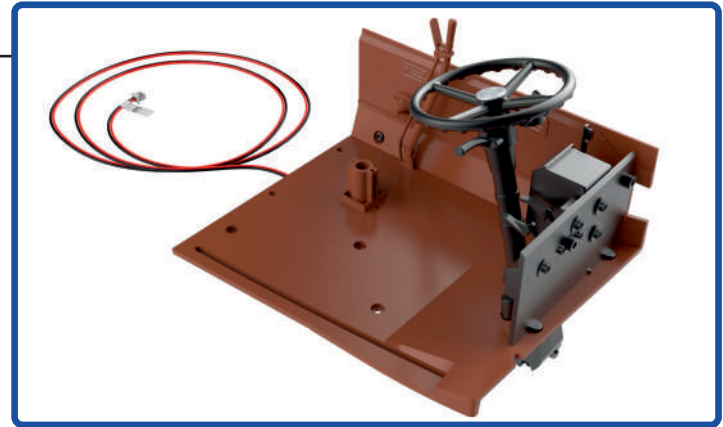
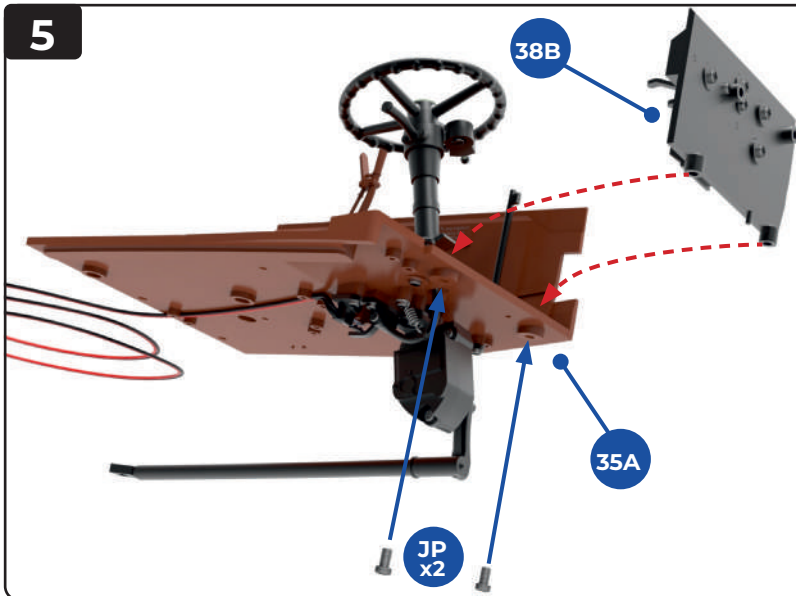
Fit the cover **38H** over the instrument box **38G**. Fix the box and cover to the dashboard base **38B** with two **DP** screws. The inset below shows the box in place.



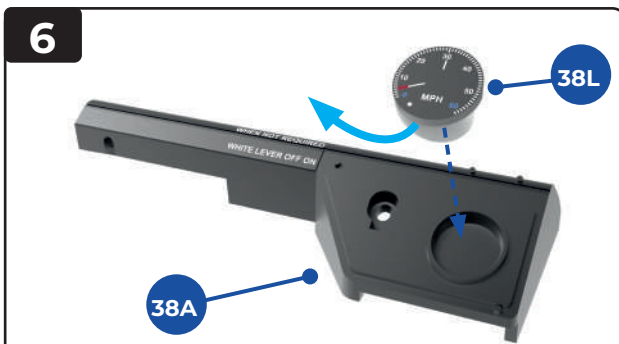
4

Take the post **38K** and fit it into the socket in the floor of the driver's cab (**35A**). **NOTE:** This is a push-fit connection.

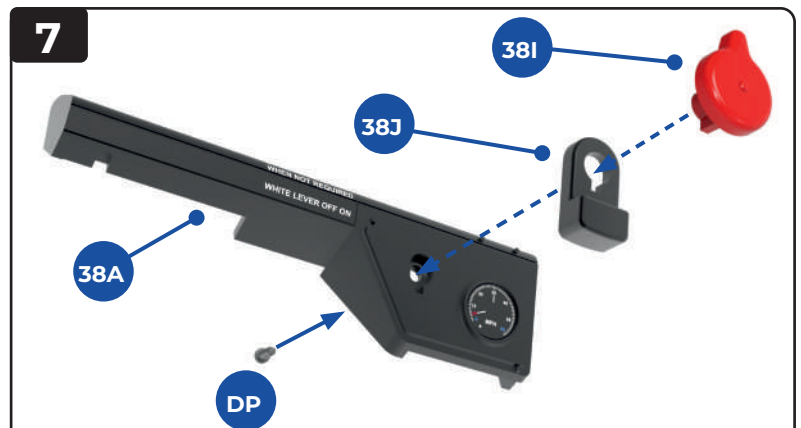




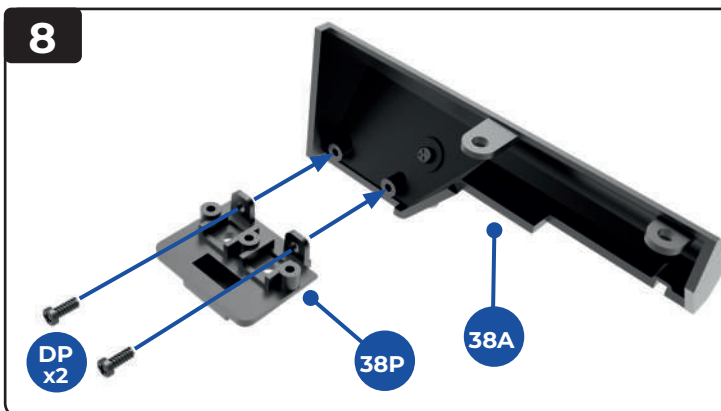
5 Take the dashboard base **38B** with the assembled parts. Fit the cylindrical sockets into the recesses near the edge of the floor of the cab (**35A**). Fix in place from below with two **JP** screws.



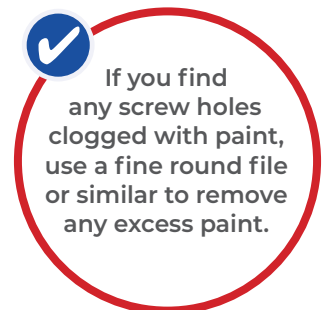
6 Take the speedometer **38L** and peel off the backing paper as indicated by the light blue arrow. Stick part **38L** into the recess in the dashboard **38A**.



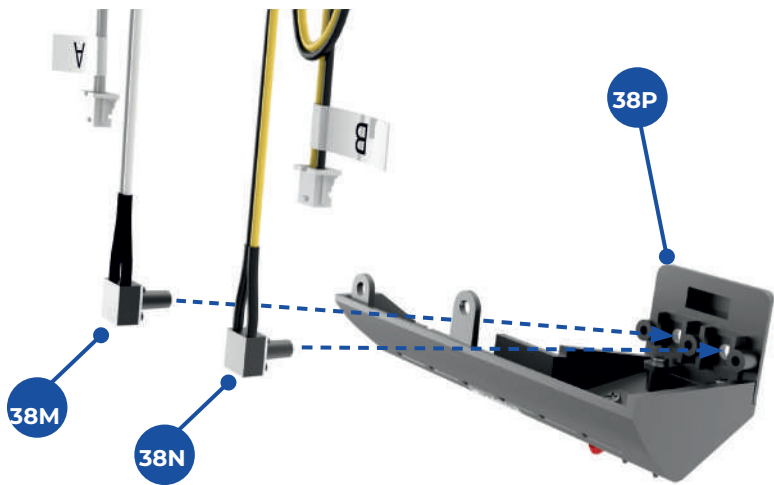
7 Take the indicator switch **38I** and the switch base **38J**. Note that there is a ridge on the indicator switch that fits into a slot on the base **38J**. Assemble the switch and fit it to the dashboard as indicated. Fix in place with a **DP** screw.



8 Take the electric switch panel **38P** and check the orientation matches the diagram. Fit part **38P** to the back of the dashboard **38A** as shown, and fix in place with two **DP** screws.

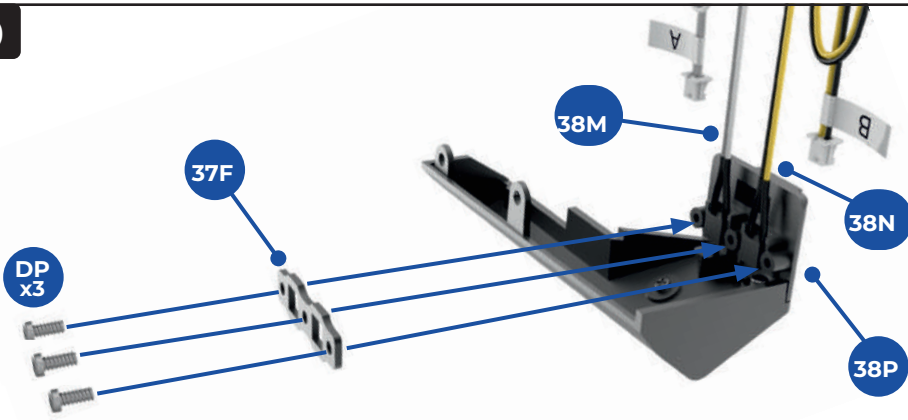


9

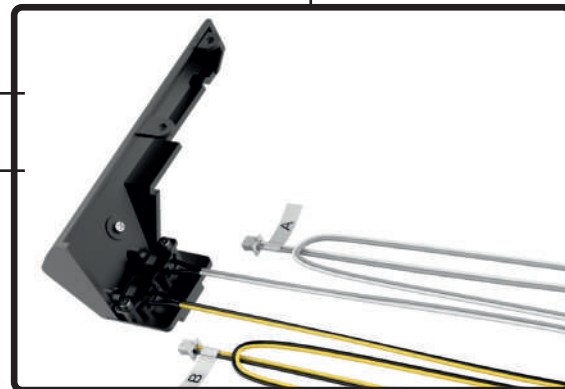


9 Take parts **38M** and **38N**. Note that the yellow one is labelled **B** and the white one is labelled **A**. Turn the dashboard assembly in the orientation shown and fit the switches on the ends of cables **38M** and **38N** into the holes on the switch panel **38P**.

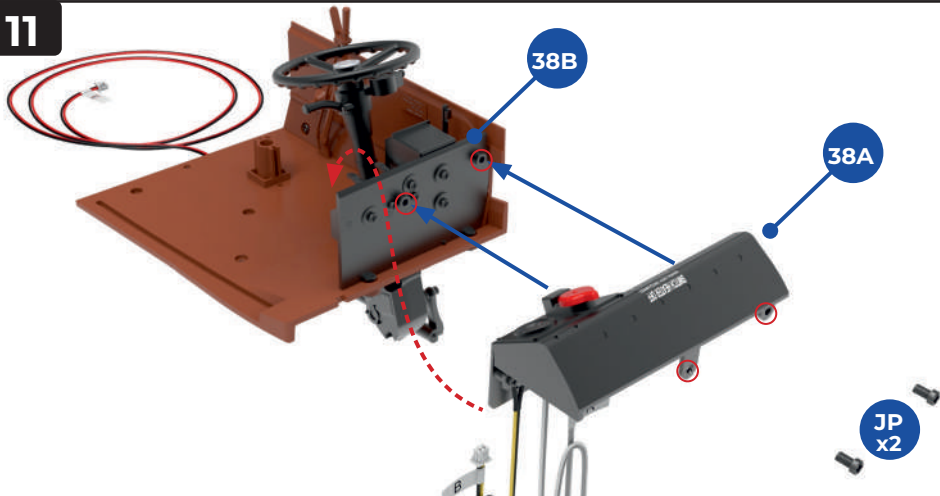
10



10 Fit the back panel **37F** (supplied with the previous stage) over the ends of parts **38M** and **38N**. Fix the back panel **37F** in place with three **DP** screws. The insets (right) show the dashboard with parts **38M** and **38N** attached.

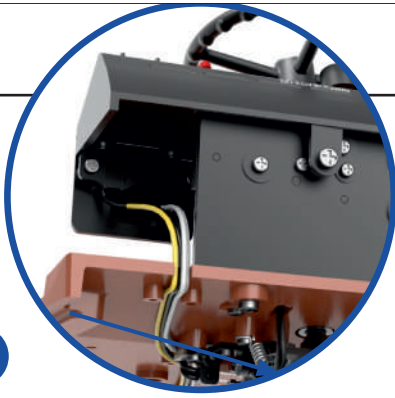


11



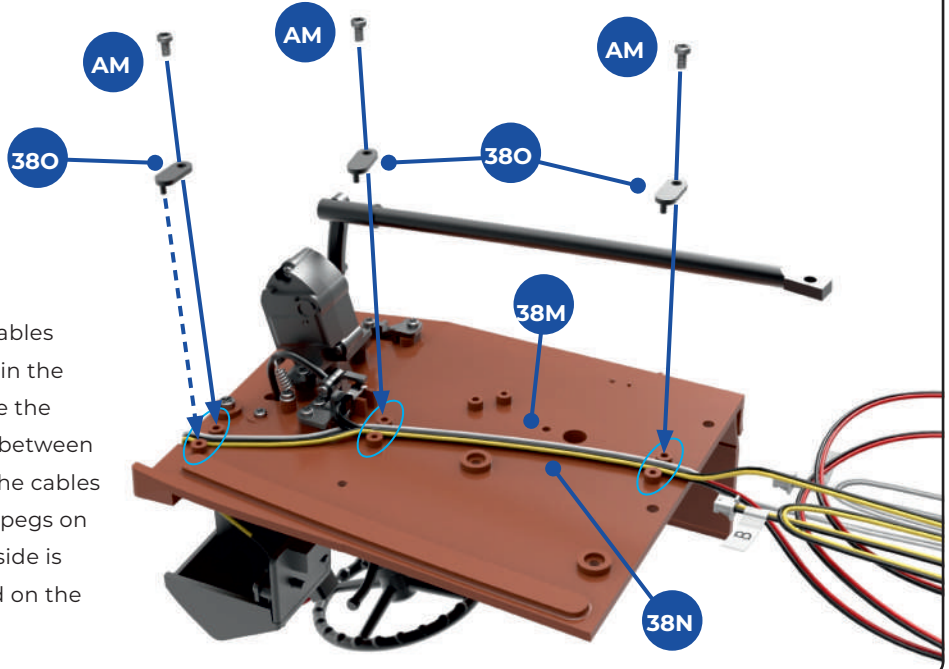
11 Fit the dashboard assembly (**38A**) over the dashboard back (**38B**) so that the screw sockets circled in red are aligned. Fix in place with two **JP** screws.

12

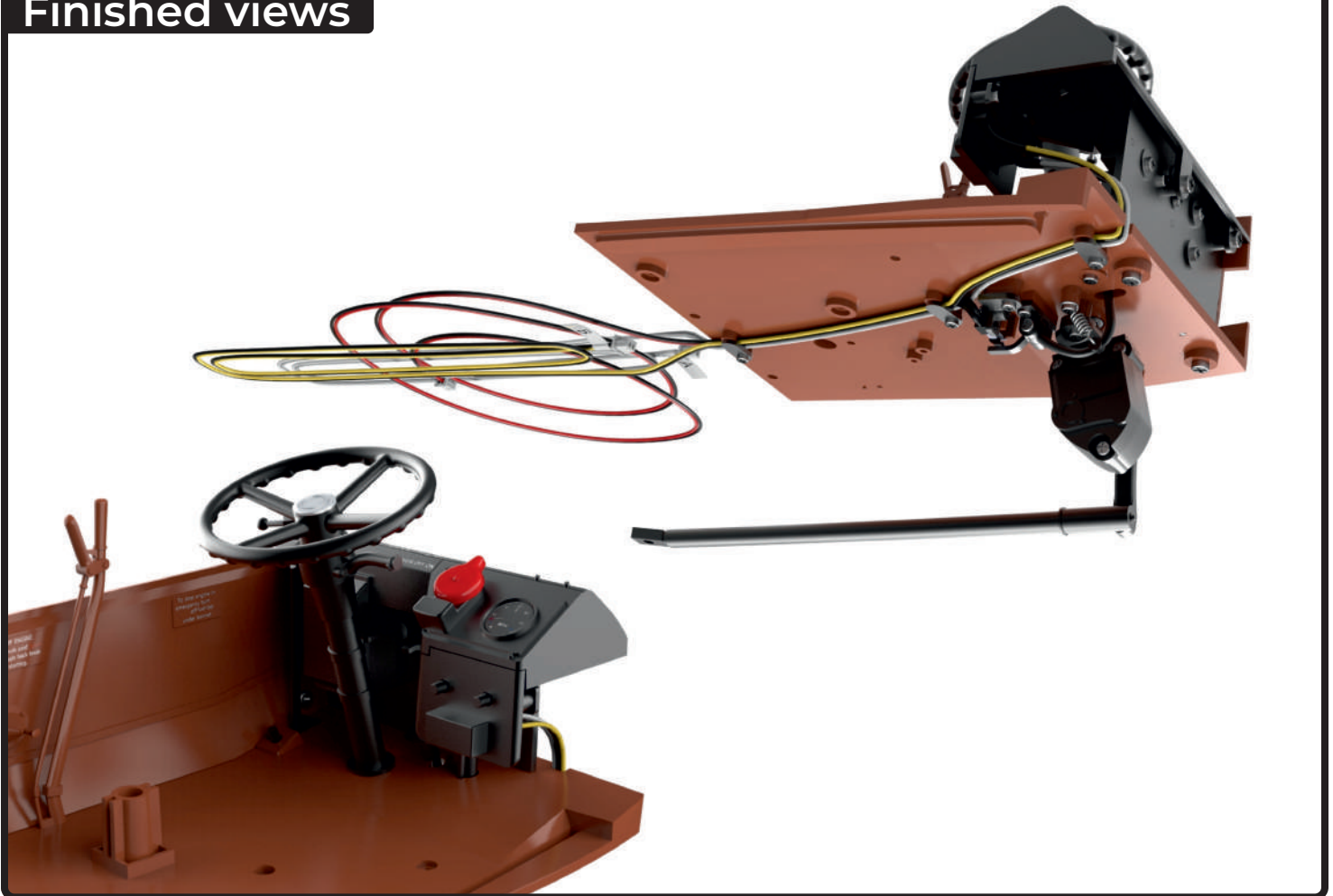


HP

12 Guide the white and yellow switch cables (**38M** and **38N**) through the notch in the edge of the cab floor **38A** (inset above). Take the cables across the underside of the cab floor, between the pairs of sockets circled in light blue. Fix the cables in place with the three cable clips **38O**. The pegs on the cables go into one socket and the other side is held in place with an **AM** screw, as indicated on the left hand side in the diagram.



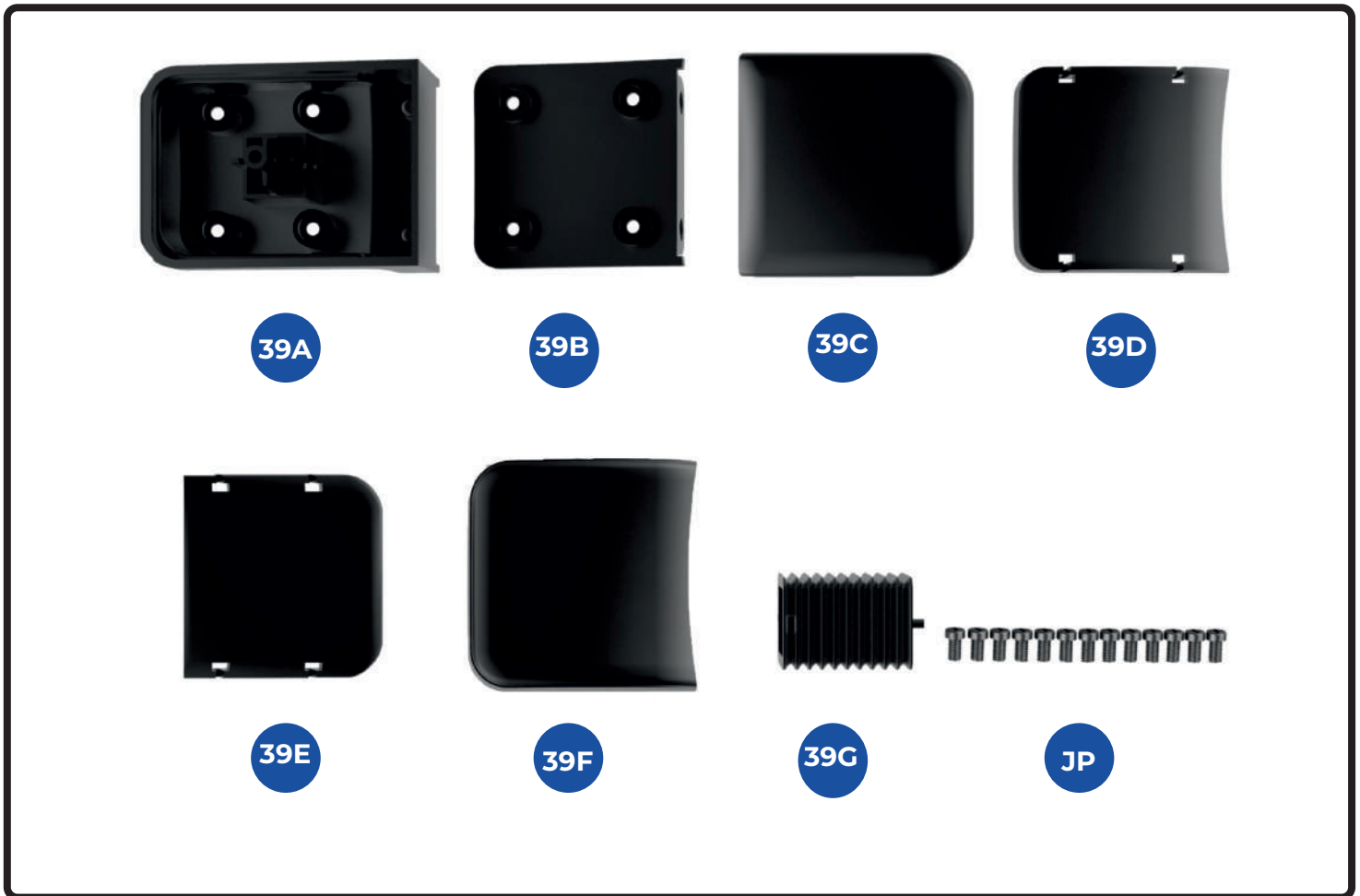
Finished views



STAGE 39

ASSEMBLING AND FITTING THE DRIVER'S SEAT

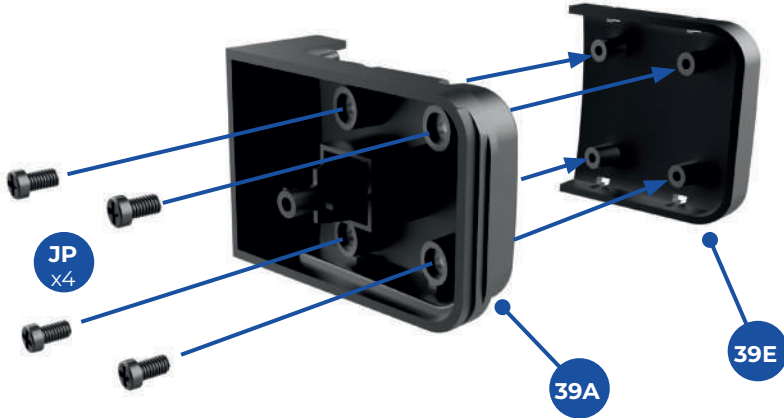
With this stage, parts are supplied for the driver's seat and support. The parts are assembled and fitted to the driver's cab.



KEY TO PARTS SUPPLIED

- | | | | |
|------------|---------------------|-----------|-----------------|
| 39A | Seat base | JP | 2.3 x 4mm (x13) |
| 39B | Backrest | | |
| 39C | Seat upholstery | | |
| 39D | Backrest pad | | |
| 39E | Seat pad | | |
| 39F | Backrest upholstery | | |
| 39G | Seat support | | |

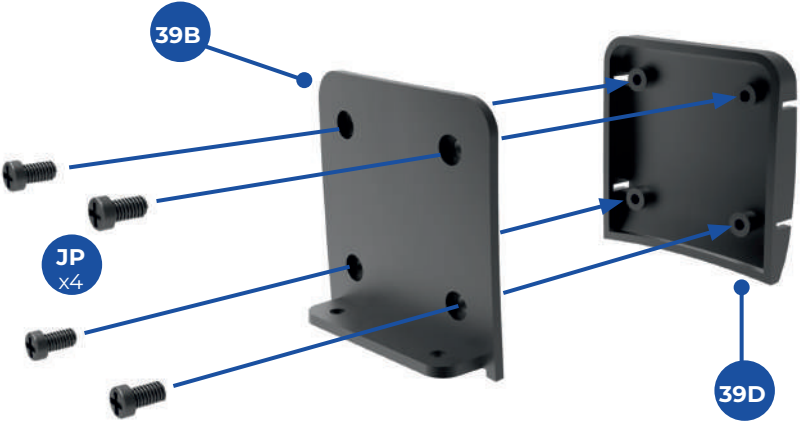
1




1 Fit the seat pad **39E** to the seat base **39A**.
Fix in place with four **JP** screws, through the bottom of the seat base into the raised sockets in the seat pad.

2

2 Take the backrest pad **39D** and the backrest **39B**. Check the orientation of the backrest: the flange at the base of the backrest is to the rear of the seat. Fit the parts together and fix with four **JP** screws.

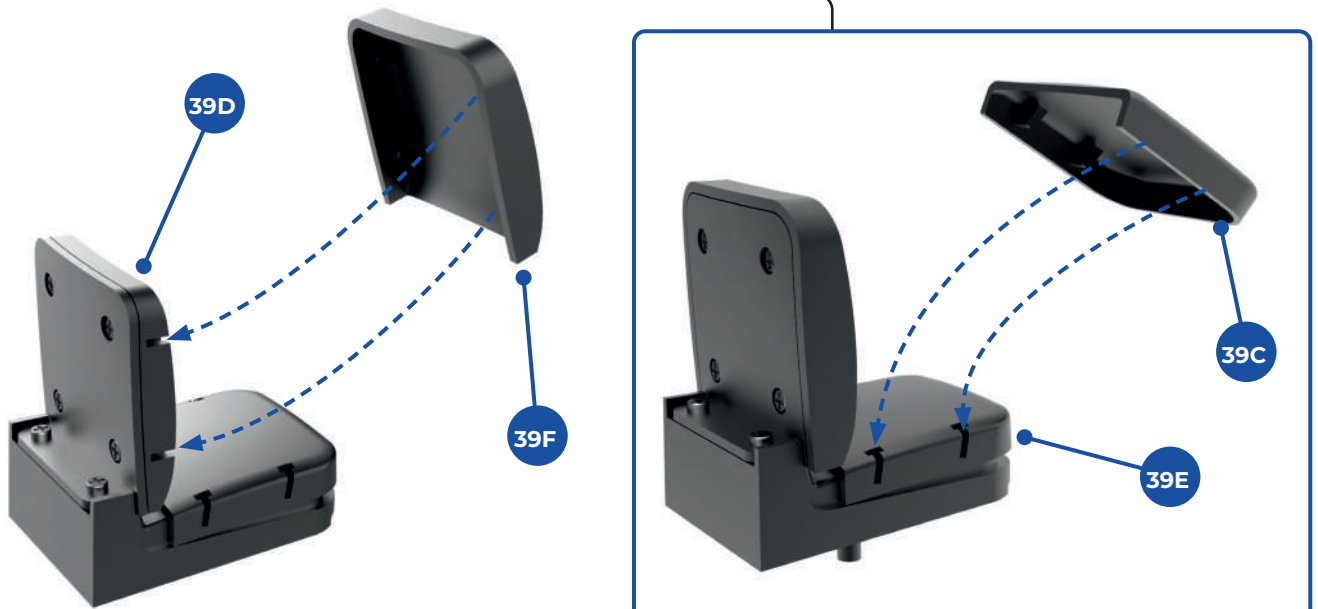


3



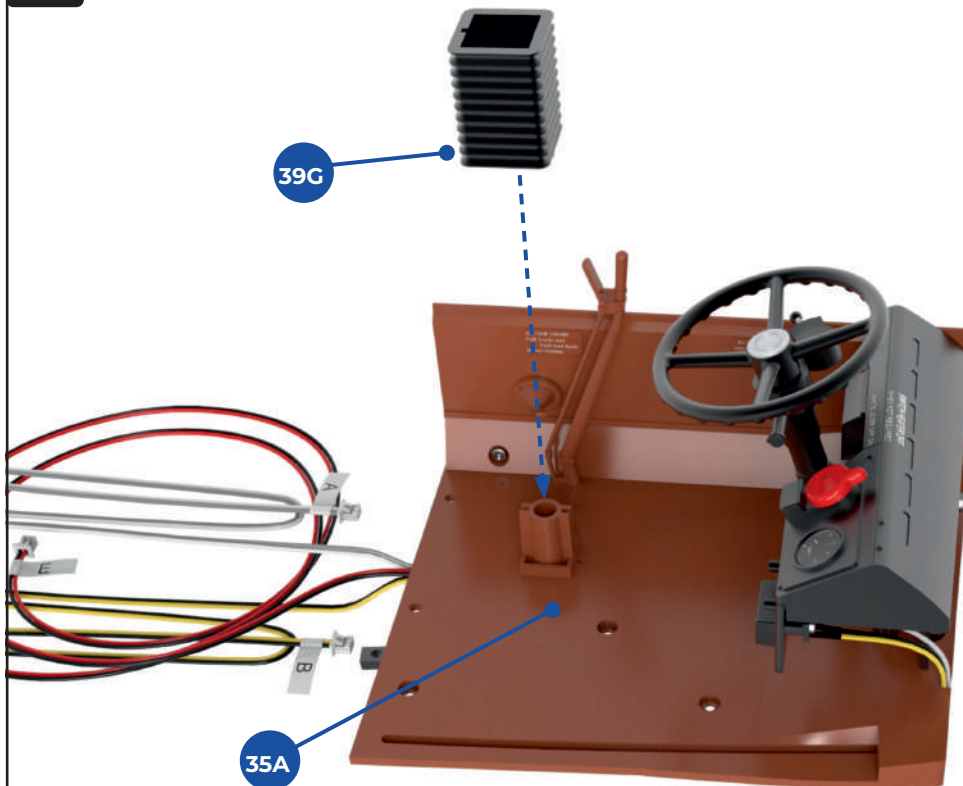
3 Fit the flange on the rear of the seat backrest **39B** to the raised section of the seat base **39A**. Fix in place with two **JP** screws.

4



4 Fit the backrest upholstery **39F** over the backrest pad **39D**, ensuring that the ridges on the inside of the upholstery fit into the grooves on the backrest pad. Then fit the seat upholstery **39C** over the seat pad **39E** (inset). **NOTE:** These are push fit connections.

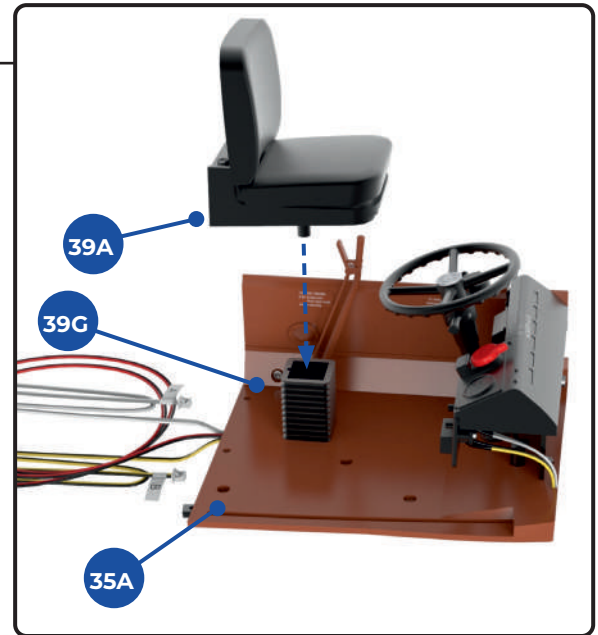
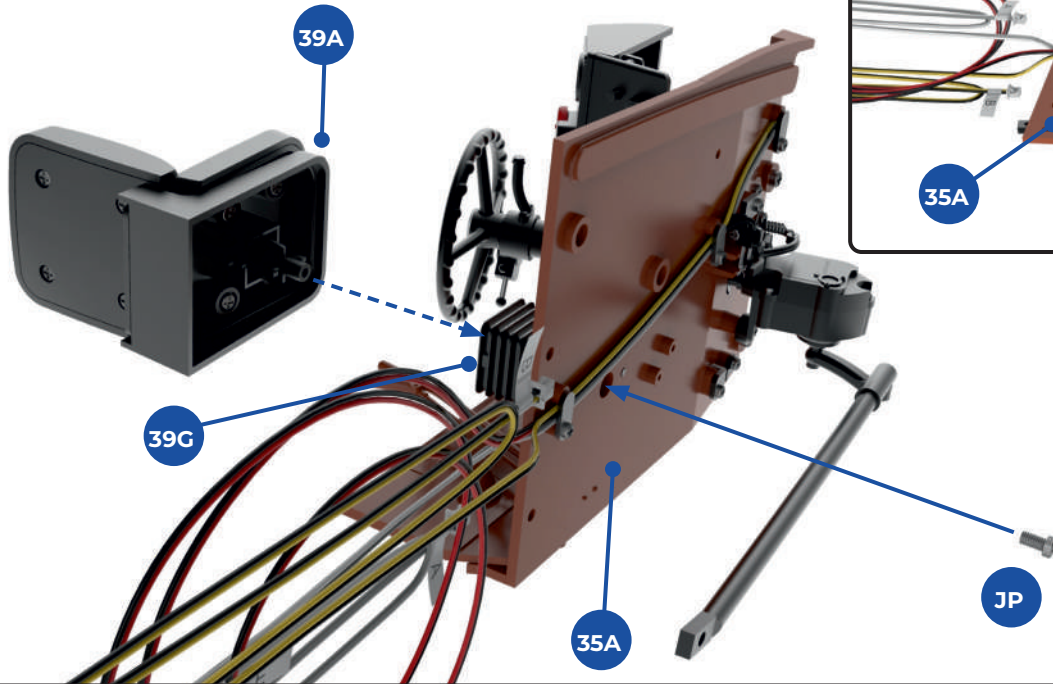
5



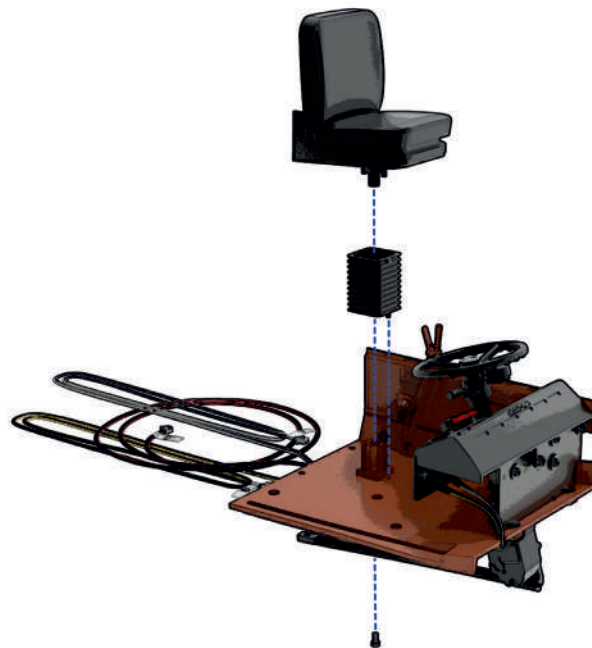
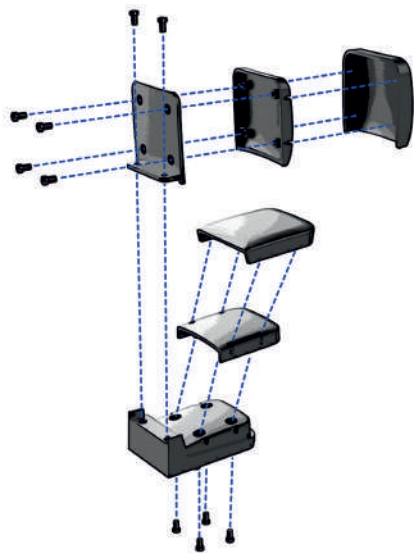
5 Fit the seat support **39G** over the cylindrical peg on the cab floor **35A**. **NOTE:** There is a pin on part **39G**, which locates in the cab floor to prevent it from twisting. The support is not fixed in place at this stage (see step 6).

6

6 Fit the peg on the bottom of the seat base **39A** into the seat support **39G** (inset). From below, fix the seat base in place with a **JP** screw. This will also hold the seat support in place.

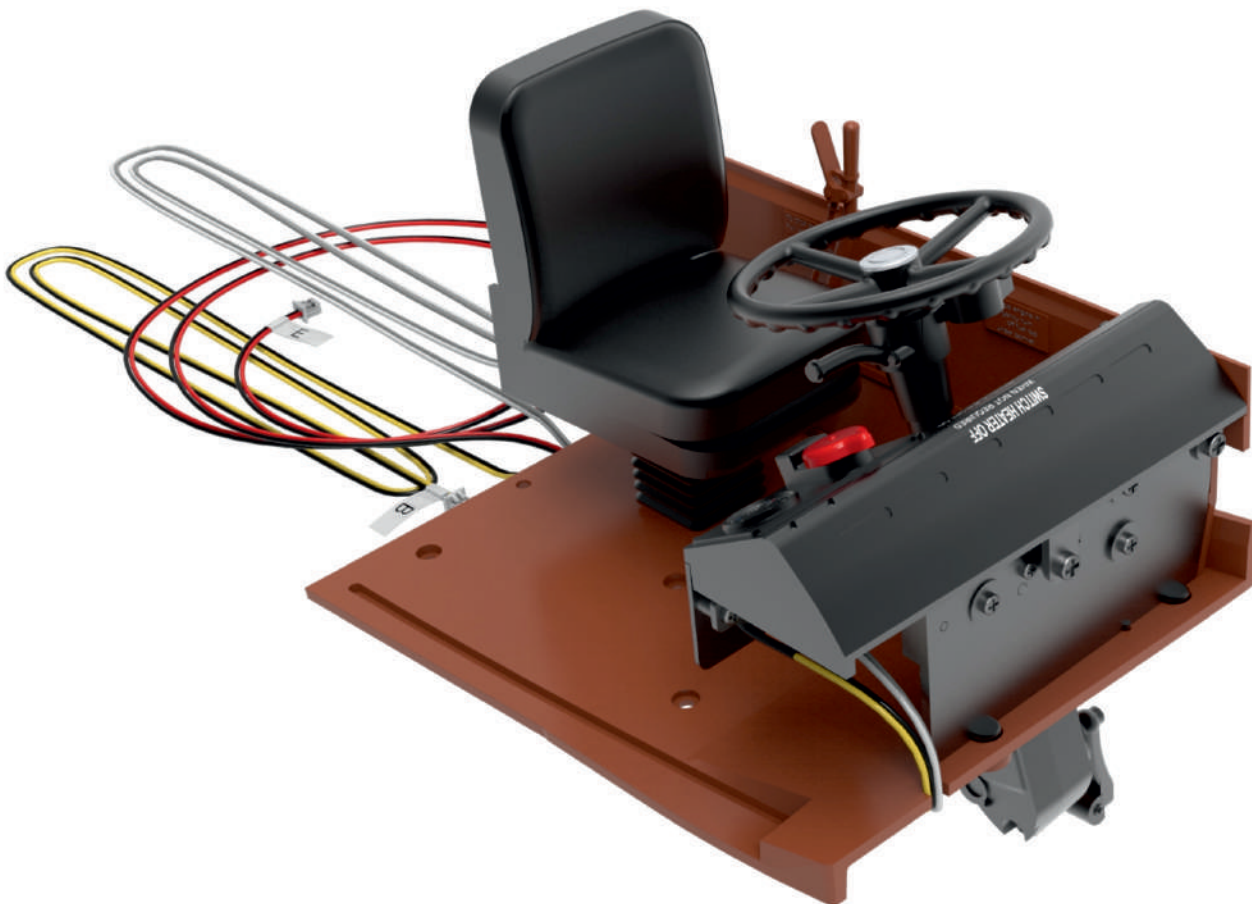
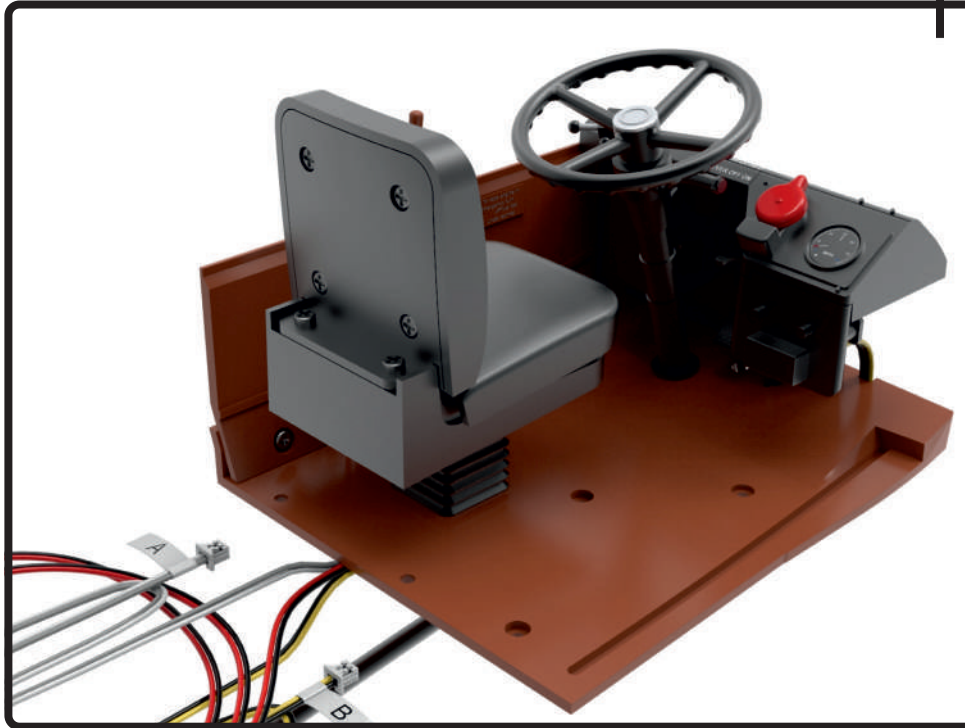


Assembly guide



Finished views

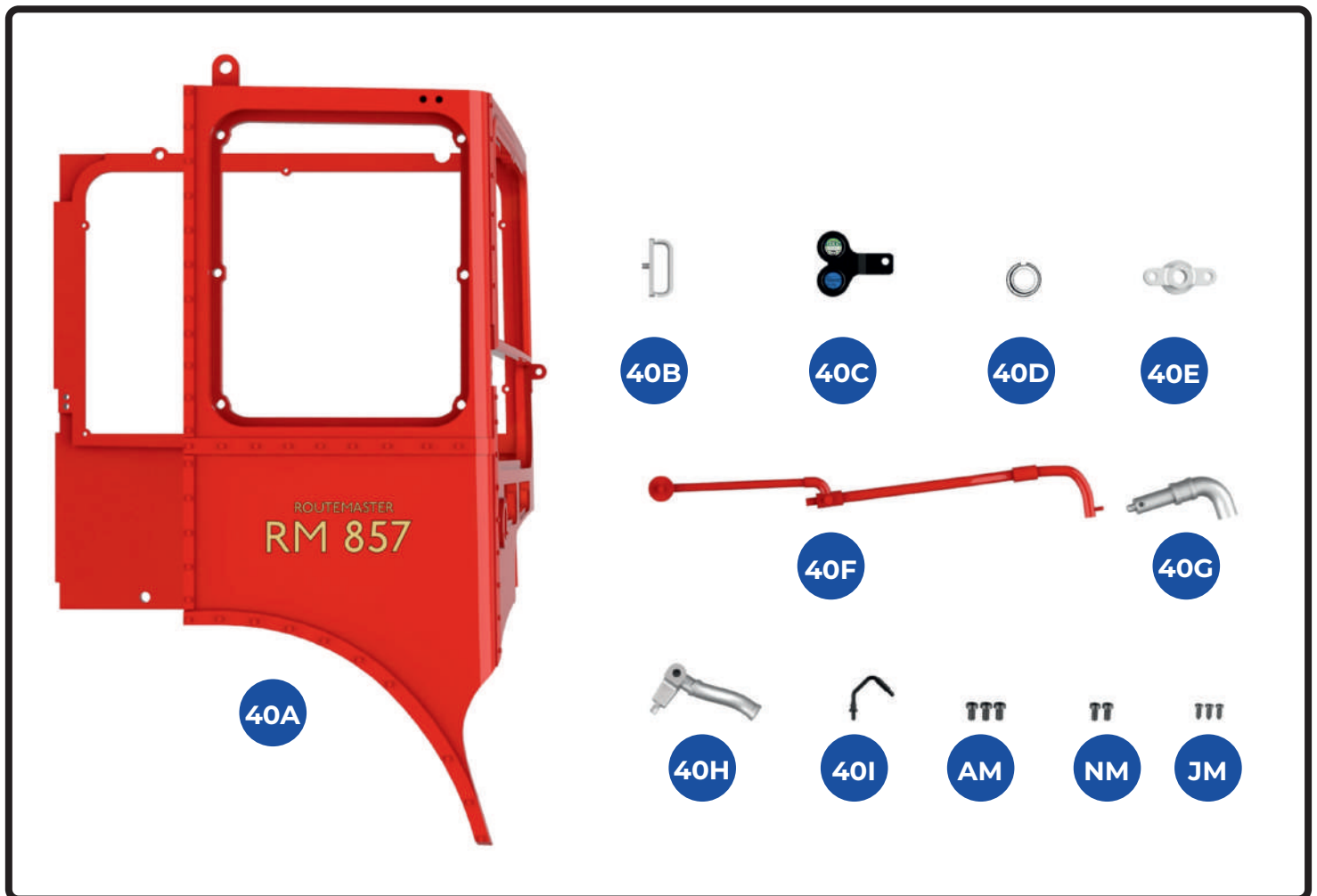
This completes the work for Stage 39. The illustration on the right shows the seat from behind; the illustration below shows the view from the front.



STAGE 40

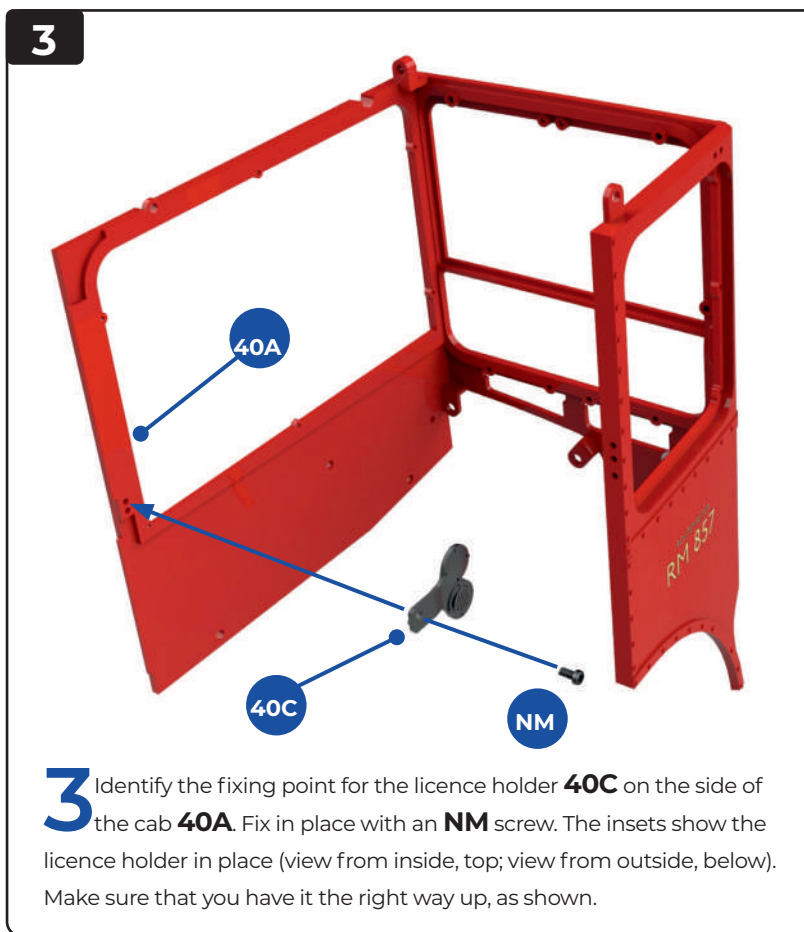
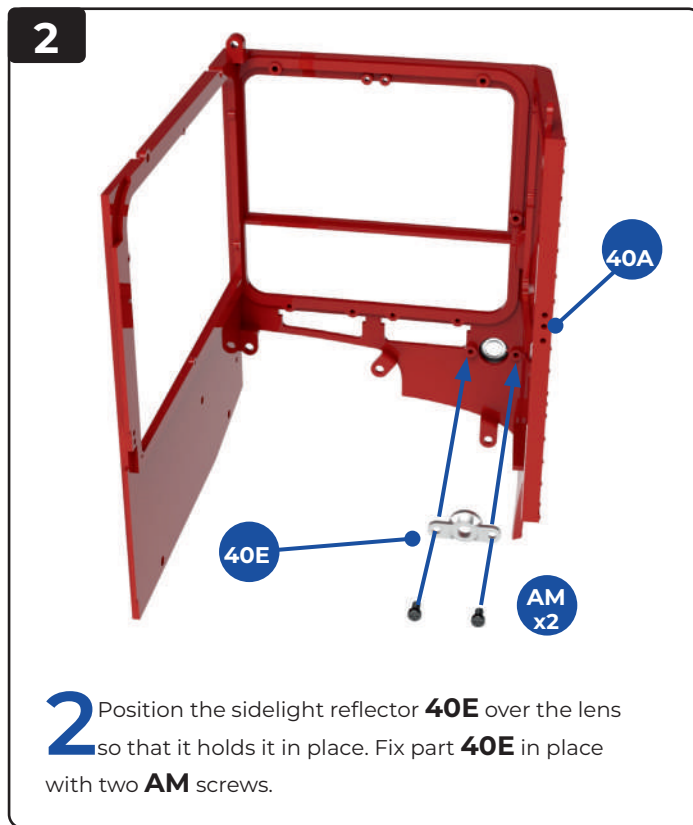
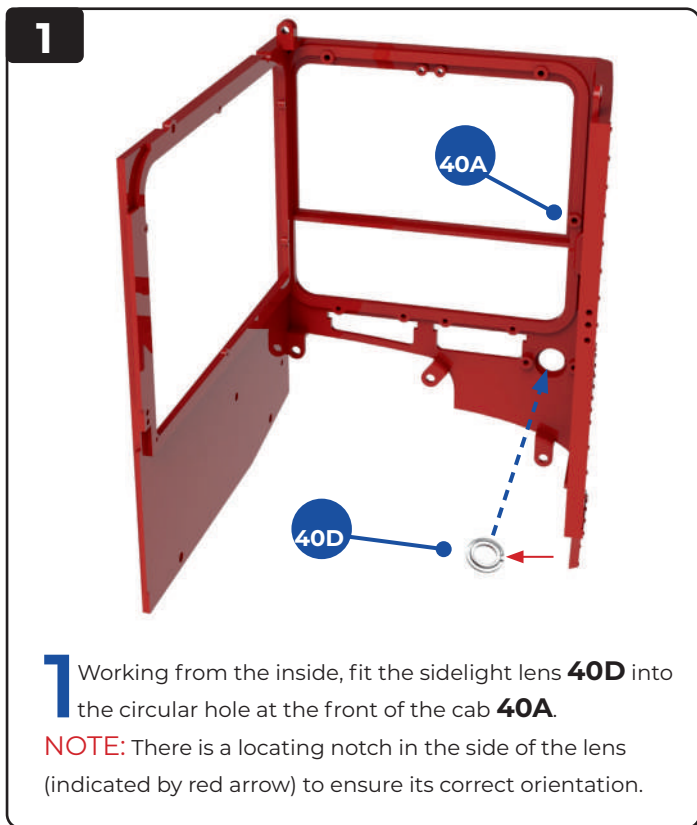
FITTING ACCESSORIES IN THE DRIVER'S CAB

Small items, including the licence holder, and water pipes are fitted to the driver's cab. There is also a climb handle for the driver to use as he gets into the cab.

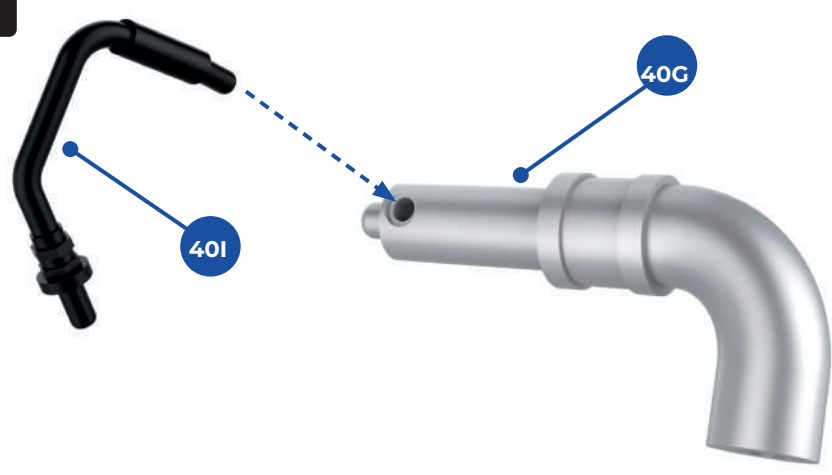


KEY TO PARTS SUPPLIED

40A	Cabin frame	40H	Water pipe
40B	Climb handle	40I	Relief pipe
40C	Licence holder	AM	1.7 x 3mm (x3)
40D	Sidelight lens	NM	1.5 x 3mm (x2)
40E	Sidelight reflector	JM	1.2 x 3mm (x3)
40F	Heating line		
40G	Water pipe		

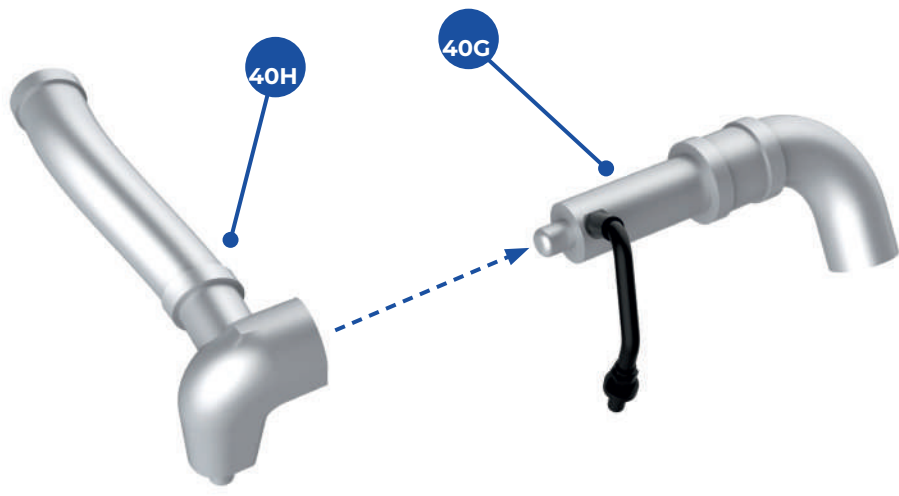


4



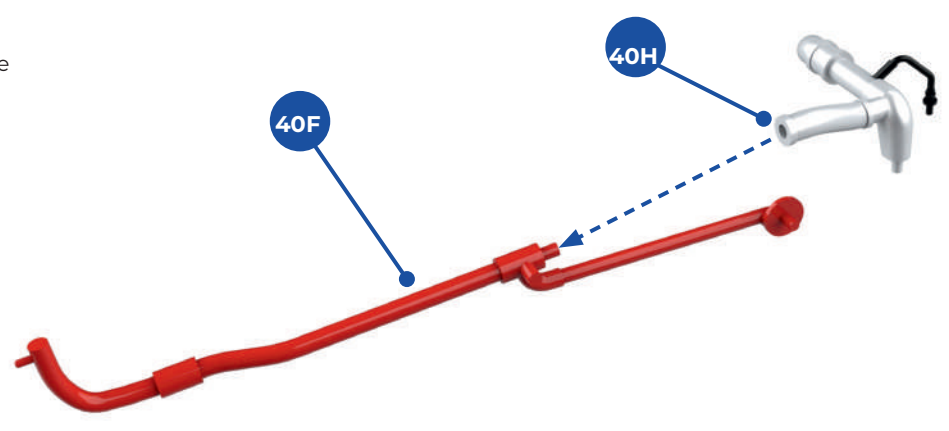
4 Push-fit the peg on the end of the relief pipe **40I** into the hole on the side of the water pipe **40G**. **NOTE:** There is a peg on each end of part **40I**, and they are very similar, so make sure you have it the right way round, as shown.

5



5 Push-fit the shoulder of the pipe **40H** over the peg on the end of pipe **40G**.

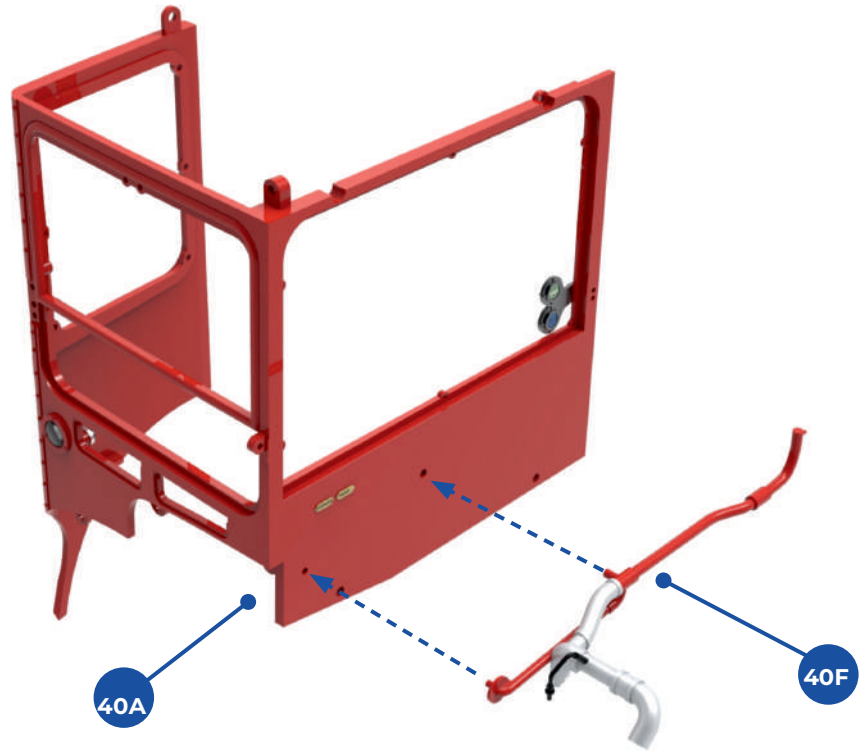
6



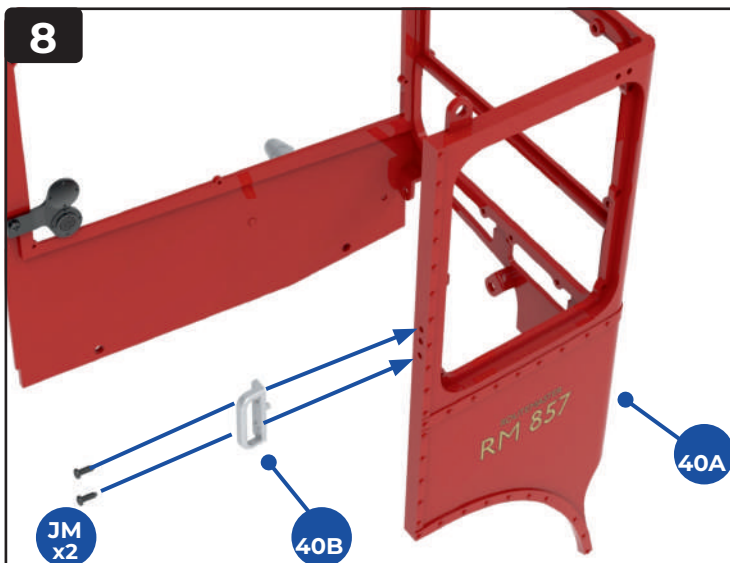
6 Push-fit the arm of pipe **40H** over the peg halfway up the heating line **40F**.

7

7 Push-fit the pegs on the heating line **40F** into the holes in the nearside of the driver's cab **40A** as shown.



8



8 Take the climb handle **40B** and identify the fixing point on the offside of the cab **40A**. Fix in place with two JM screws. The inset shows the handle in place. **NOTE:** Make sure you have the handle the right way round, so that it sits on the outer edge of the cab.

Finished views

Three views of the driver's cab with the pipes, licence holder and climb handle in place.

