

MITSUBISHI A6M ZERO FIGHTER



Pack 09 | Build Instructions

Your 1:18 model of the Japanese Zero is reproduced in the most exquisite detail, with electronics allowing you to recreate aeronautical operations such as take-off and landing, turning, firing and night combat. Lights, machine-gun and propeller sounds bring your legendary fighter plane to life.

In your ninth model pack, you will assemble:

STAGE 71: DISPLAY PEDESTAL ASSEMBLY

STAGE 72: ASSEMBLING THE UNDERSIDE OF THE AIRCRAFT AND THE DISPLAY PEDESTAL

STAGE 73: OPERATION OF THE RUDDERS AND ELEVATORS

STAGE 74: INSTALLING THE TAIL GEAR ROD & FRAME AND STEPS

STAGE 75: INSTALLING THE LEFT FRONT AND REAR EXTERNAL PANELS

STAGE 76: ASSEMBLING THE SPEAKER

STAGE 77: CHECKING PARTS FOR THE RIGHT FRONT EXTERNAL PANEL



There are excellent videos showing how to build the Zero [here](#).

Advice from the experts

Spare screws are included with each part. Occasionally, you may be instructed to keep spare or unused screws for a later stage.

Keep these spares in a safe place and label them correctly.

Please make sure you don't mix up the screws. They look quite similar, but the threads do vary slightly. Using the wrong screws may damage the parts.

When securing parts together using multiple screws, fit each screw loosely to ensure all the parts are correctly aligned before gently tightening them firmly, but not overtight, in the order in which you placed them.

The screwdriver can be magnetised by stroking it with a magnet (fridge magnet, etc.) enabling it to hold the screws and make assembly easier.

If a screw is tight going into a metal part, do not force it as you may shear the head off. Remove it and put a tiny smear of Vaseline, soap or light oil on the thread. That will lubricate it and make it easier to drive home.

During the course of this build, you will receive many pieces that you will assemble immediately – following the instructions in the corresponding stage – and other pieces that you should store safely to one side, for use in future assembly stages.

When gluing parts together, glue may be applied to either of the two parts. Some experts find it easier to apply glue to a hole rather than a pin. Choose a method that works best for you.

It's a good idea to test fit your parts so that you can check their positioning before gluing.

Not suitable for children under the age of 14. This product is not a toy and is not designed for use in play. Keep the parts out of the reach of small children. Some parts may have sharp edges. Please handle them with care.

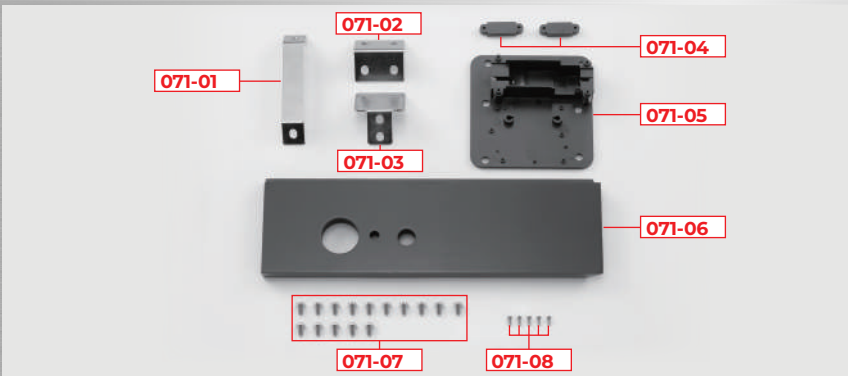
Stage 71: Display Pedestal Assembly



Stage 71 Assembly
Display Pedestal

When attaching the various parts here it helps to firstly insert a screw in the relevant hole and then tighten it just a bit to keep everything in place, until you've got everything exactly where you want it. If you screw everything together and the parts are warping, try repositioning everything until it fits comfortably.

STAGE 71 PARTS



You will also need: screwdriver
 *071-02, 071-06 & 071-08 will not be used in this stage. Keep all unused parts, including unused screws, in a safe place until required.
 *Parts may differ slightly from those shown but this will not affect assembly.

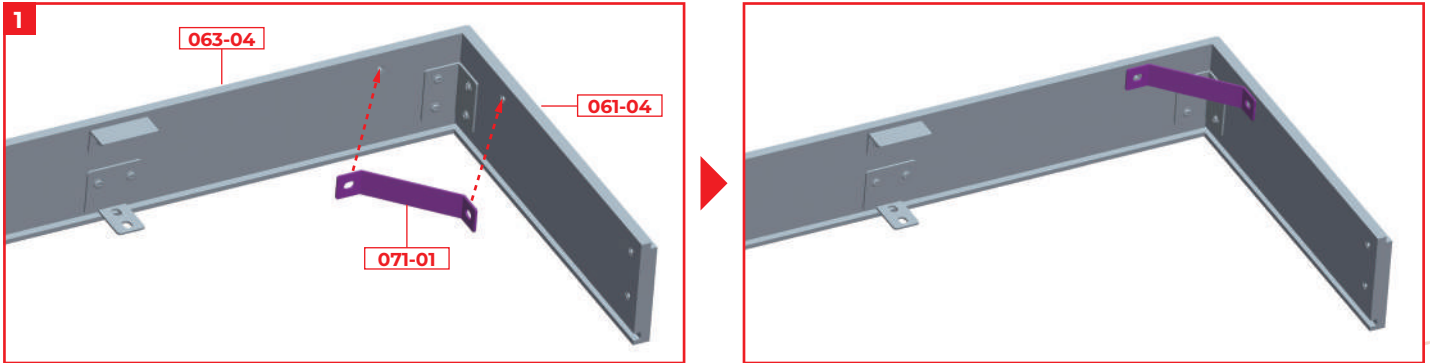
PARTS LIST

	Part	No.	Material
<input type="checkbox"/>	071-01	1	Steel
<input type="checkbox"/>	071-02	1	Steel
<input type="checkbox"/>	071-03	1	Steel
<input type="checkbox"/>	071-04	2	ABS resin
<input type="checkbox"/>	071-05	1	ABS resin
<input type="checkbox"/>	071-06	1	MDF
<input type="checkbox"/>	071-07	15	Steel
<input type="checkbox"/>	071-08	5 (1 spare)	Steel

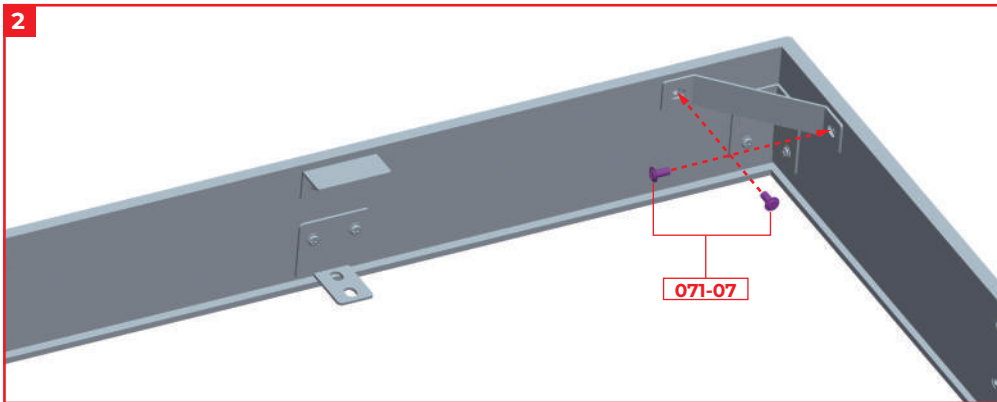
STEP 1

Display pedestal assembly

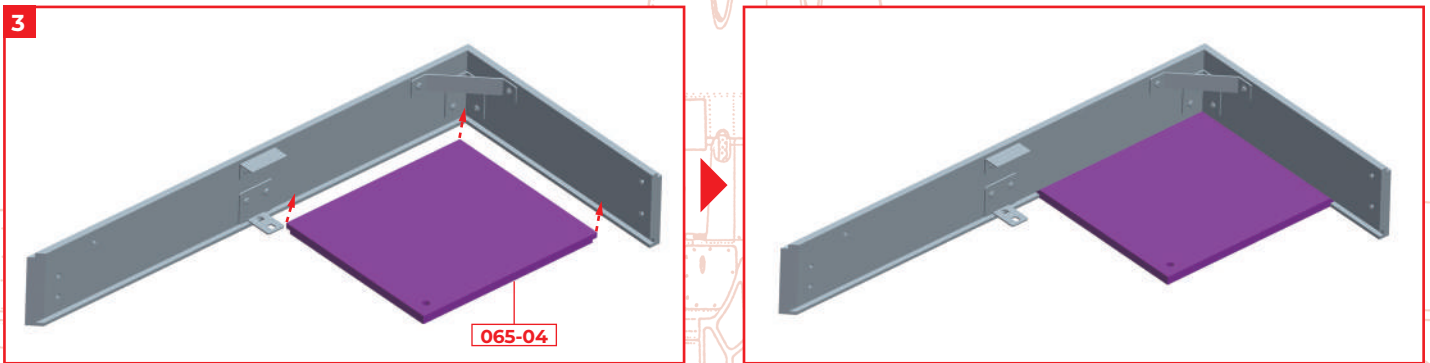
← : Glue
 - - - : Don't Glue



Align the metal fitting **071-01** with the pedestal frames **063-04** and **061-04** assembled in stage 69.



Fix the metal fitting **071-01** with 2 x screws **071-07**. Tighten each screw little by little so that parts do not become distorted.



Fit the thin edge of the pedestal plate **065-04** that came with stage 65 into the groove on the pedestal frame **063-04** and **061-04**.

STAGE COMPLETE



Stage 72: Assembling the Underside of the Aircraft and the Display Pedestal

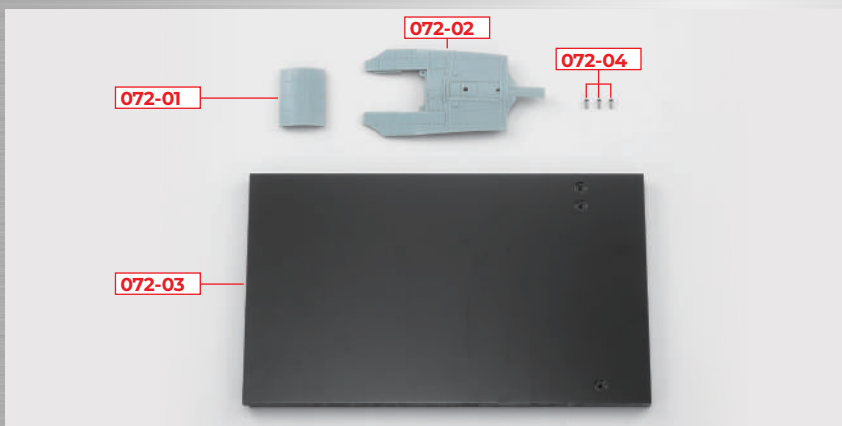


Stage 72 Assembly

Underside/Pedestal

In this stage we'll install the external panels for the bottom of the aircraft as well as continue working on the display pedestal. Take care to line everything up before fixing so the parts don't warp.

STAGE 72 PARTS



PARTS LIST

	Part	No.	Material
<input type="checkbox"/>	072-01	1	ABS resin
<input type="checkbox"/>	072-02	1	ABS resin
<input type="checkbox"/>	072-03	1	MDF
<input type="checkbox"/>	072-04	3 (1 spare)	Steel

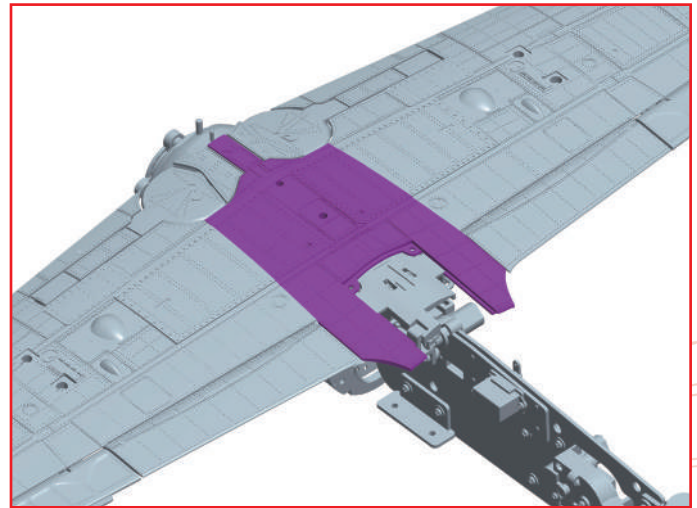
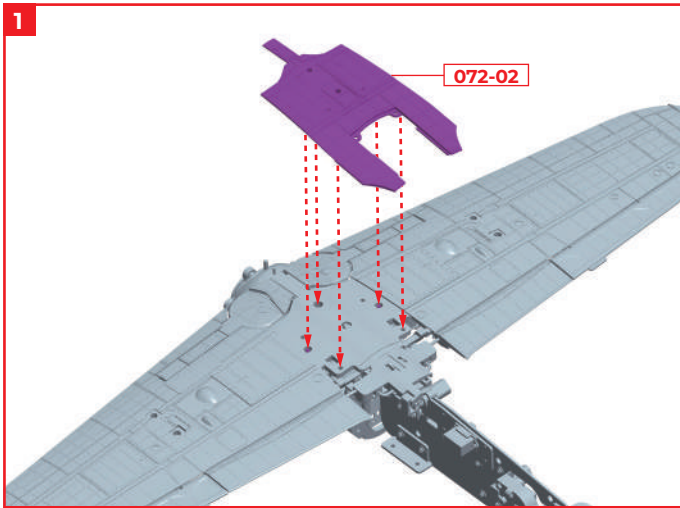
You will also need: screwdriver

*Parts may differ slightly from those shown but this will not affect assembly.

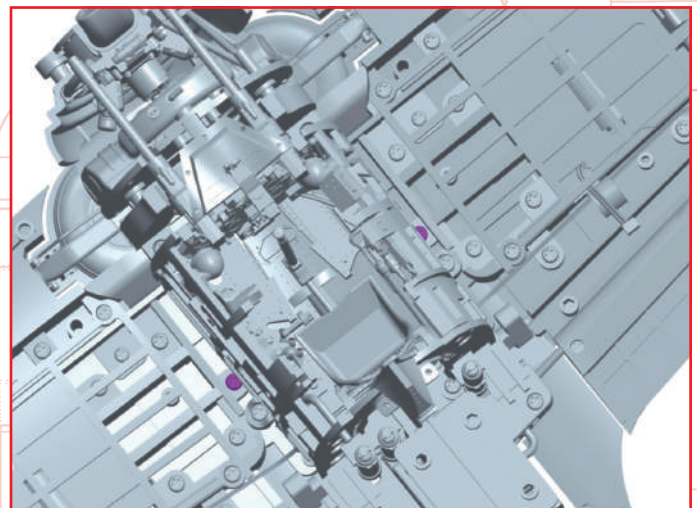
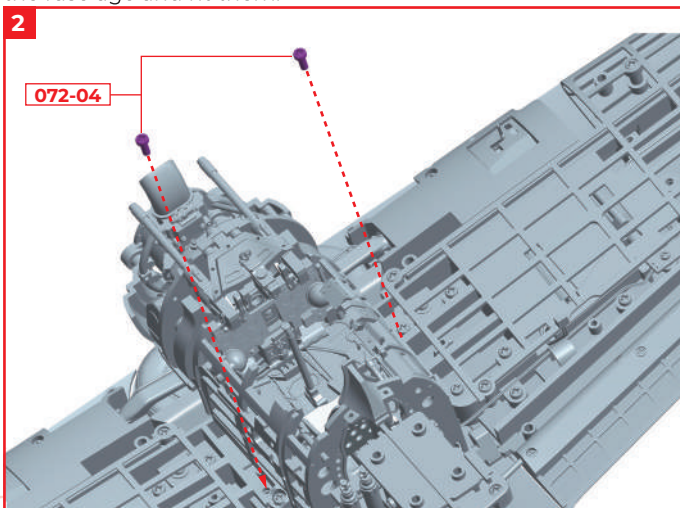
STEP 1

Assembling the underside of the aircraft

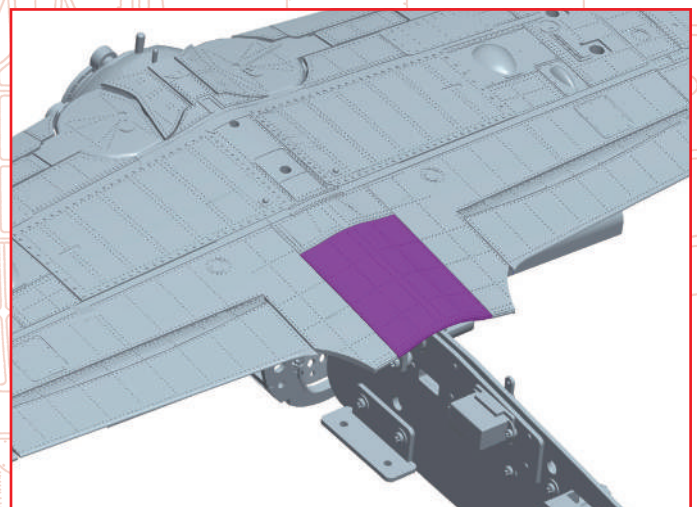
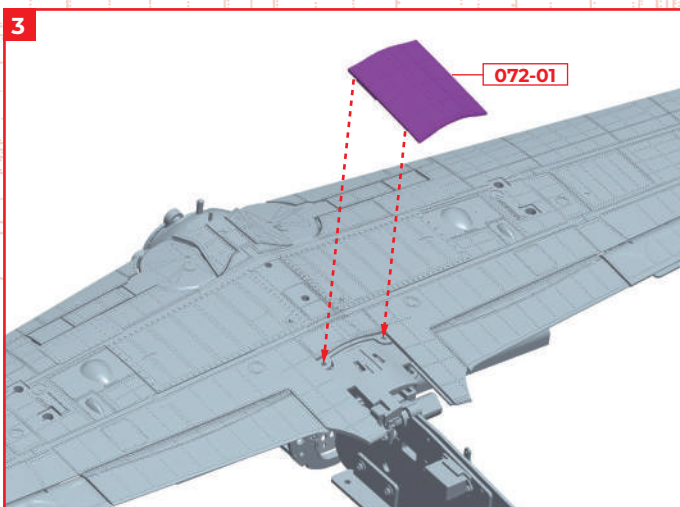
← : Glue
- - - : Don't Glue



Align the screw holes and pegs on the fuselage underside external panel (1) 072-02 between the left and right wings on the bottom of the fuselage and fit them.



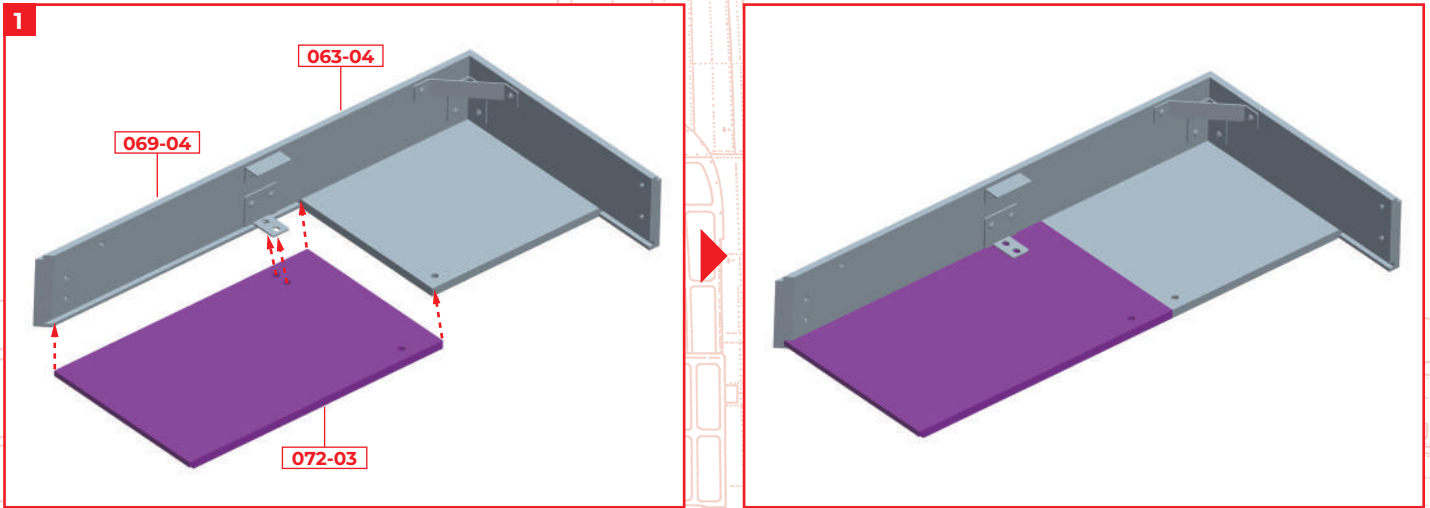
Fix the fuselage underside external panel (1) 072-02 with 2 x screws 072-04.



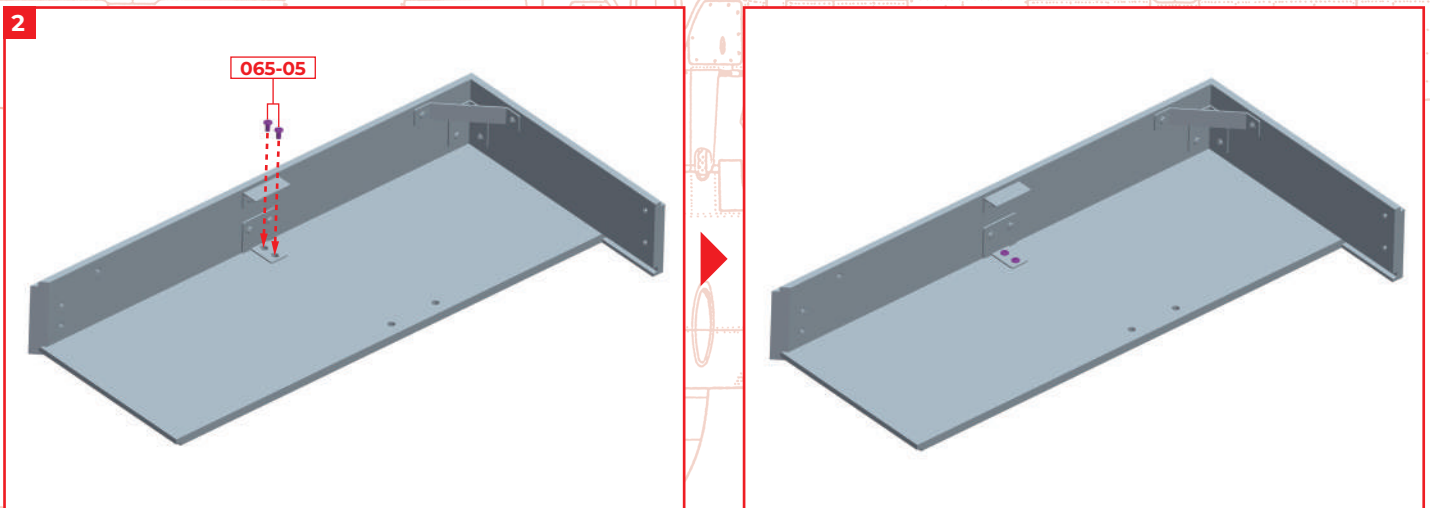
Position the fuselage underside external panel (2) 072-01 onto the fuselage underside external panel (1) 072-02, paying attention to the orientation.

STEP 2

Display pedestal assembly

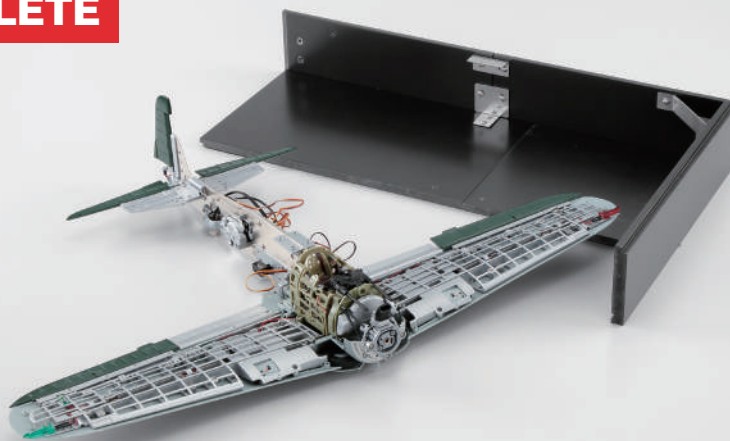


Fit the thin part of the pedestal plate 072-03 into the groove on the pedestal frame 063-04, 069-04 assembled in stage 71.



Fix the two metal fittings 065-01 attached to the pedestal frame in stage 69 to the pedestal plate 072-03 with the 2 x screws 065-05 that came with stage 65.

STAGE COMPLETE



Stage 73: Operation of the Rudders and Elevators

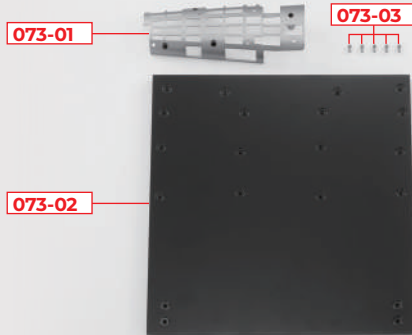
In this stage we'll be making sure the rudder and elevators work as they should, as well as installing an aileron rod. In the event the servomotor shafts were improperly placed when installing the rudders and elevators the rudders may not go where they should do. Looking ahead to future stages we'll mainly be attaching panels, so it's important to get everything right at this point in time.

Stage 73 Assembly

Rudder & Elevators



STAGE 73 PARTS



PARTS LIST

	Part	No.	Material
<input type="checkbox"/>	073-01	1	ABS resin
<input type="checkbox"/>	073-02	1	MDF
<input type="checkbox"/>	073-03	5 (1 spare)	Steel

You will also need: screwdriver

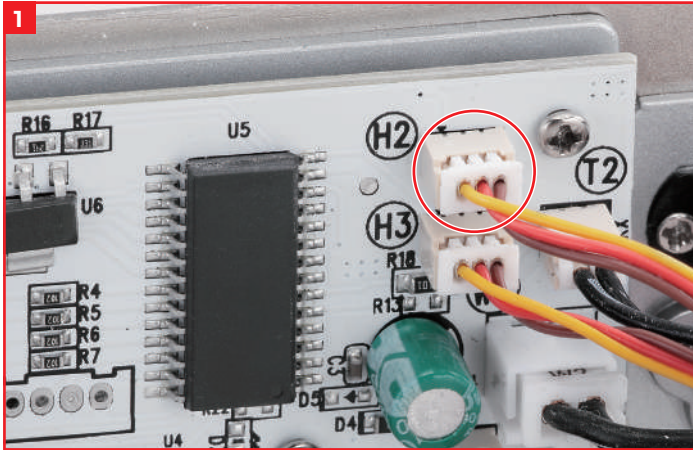
*073-01, 073-02 & 073-03 will not be used in this stage. Keep them in a safe place until required.

*Parts may differ slightly from those shown but this will not affect assembly.

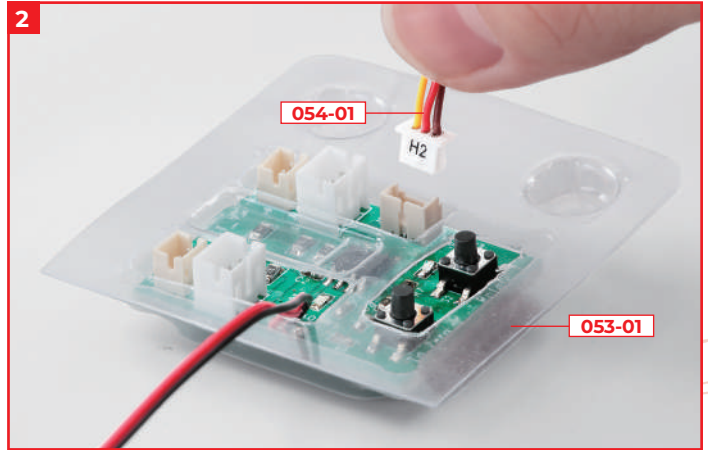
STEP 1

Testing the operation of the rudder and elevators

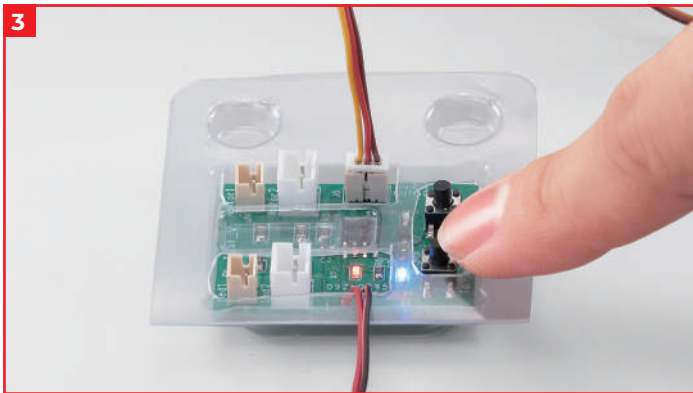
← : Glue
⋯ : Don't Glue



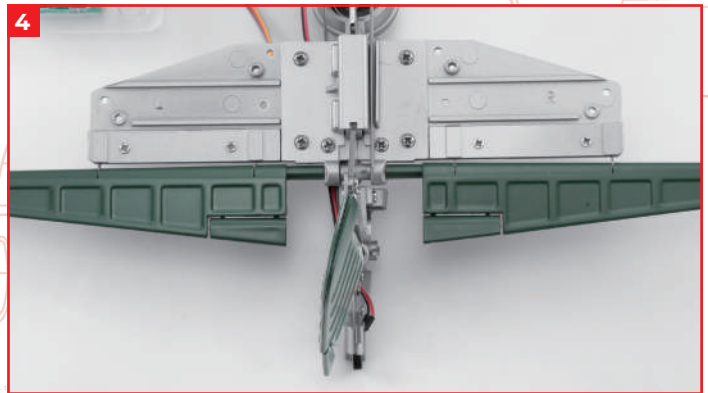
Unplug the rudder servomotor 054-01 attached to the fuselage frame in stage 55 from the connector labeled H2 on the circuit-board 064-01 attached to the fuselage frame in stage 64.



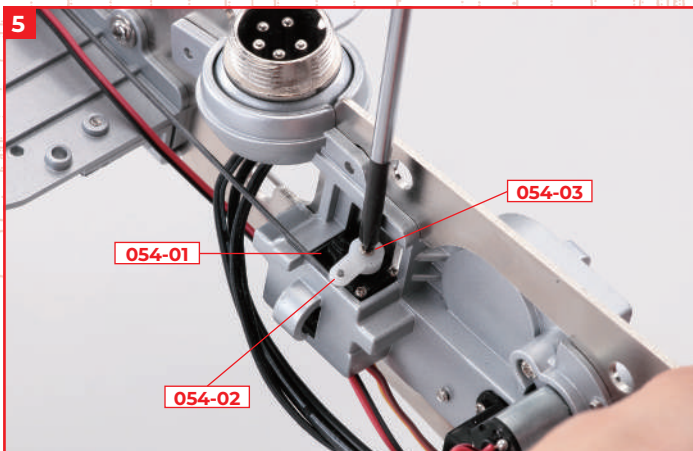
Insert the rudder servomotor wire 054-01 into the servomotor test connector on the tester 053-01 that came with stage 53.



Connect the battery box to the tester 053-01, turn on the power, and press the servomotor reset button, referring to stage 53. The operation light above the button lights up in blue, and the axis of the rudder servomotor 054-01 is set to the neutral position.



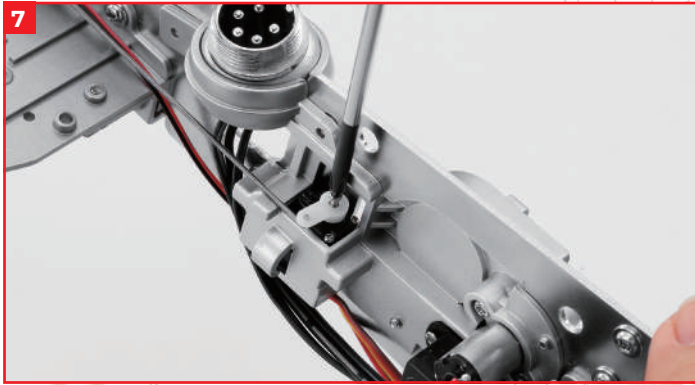
When looking at the rudder from above and turning left or right, make adjustments in steps 5–9. If it is straight, turn off the power on the battery box tester 053-01, and pull out the rudder servomotor wire 054-01 from the tester. Reconnect the rudder servomotor wire 054-01 to the connector labeled H2 on the circuit board 064-01, and proceed to STEP 2.



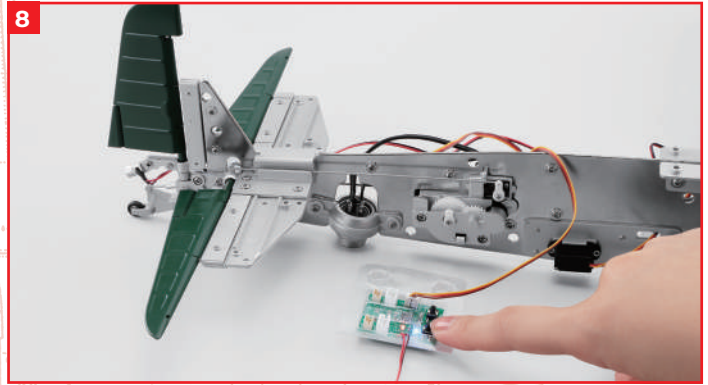
If the rudder is bent to the left or right, remove the screw 054-03 of the servomotor 054-01 and remove the arm 054-02.



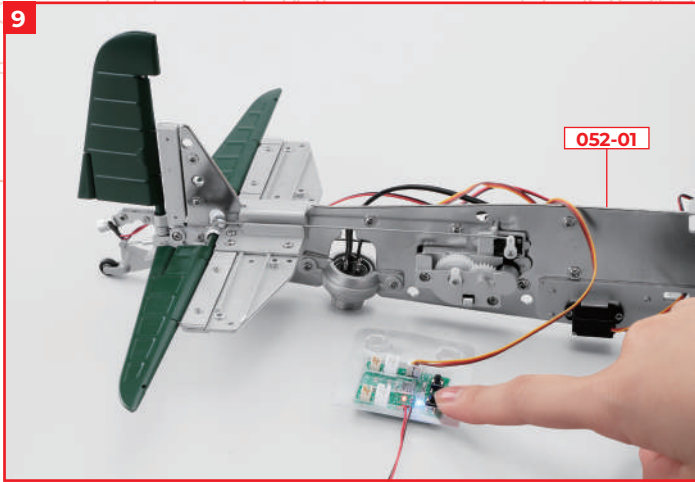
Move the rod 060-11 attached to the arm 054-02 back and forth to the position where the rudder is straight, and reinsert the arm 054-02 into the shaft of the rudder servomotor 054-01.



Fix the arm 054-02 with the screw 054-03.

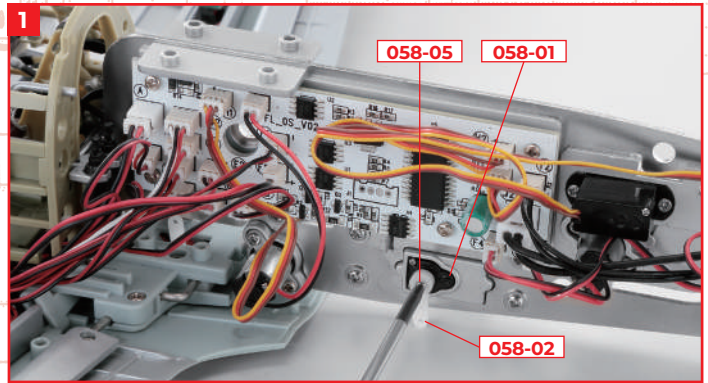


Press the servomotor reset button on the tester 053-01 and check that the rudder is not bent to the left or right. If it's not straight, go back to 5 and make adjustments again. Turn off the power on the battery box, pull out the rudder servomotor wire 054-01 from the tester 053-01, and reconnect it to the connector labeled H2 on the circuit board 064-01.

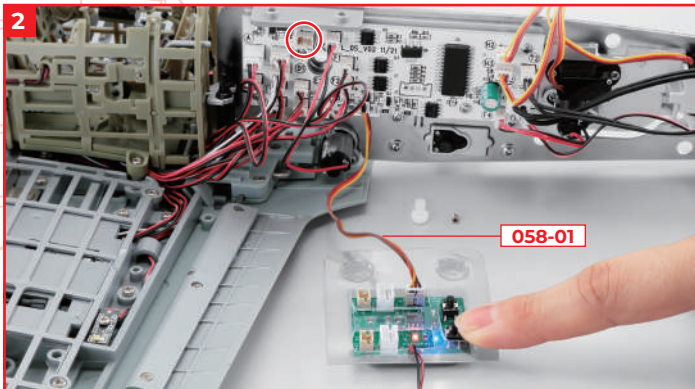


Unplug the elevator servomotor 052-01 attached to the fuselage frame in stage 59 from the connector labeled H3 on circuit board 064-01. Check if the elevator is horizontal by referring to 3-8, and adjust if necessary. You will need adaptor 059-12 to connect to the tester – refer to stage 59 step 1.

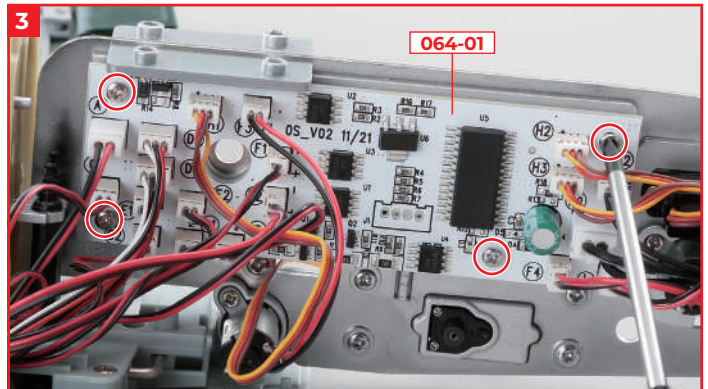
STEP 2 Installing the aileron rod



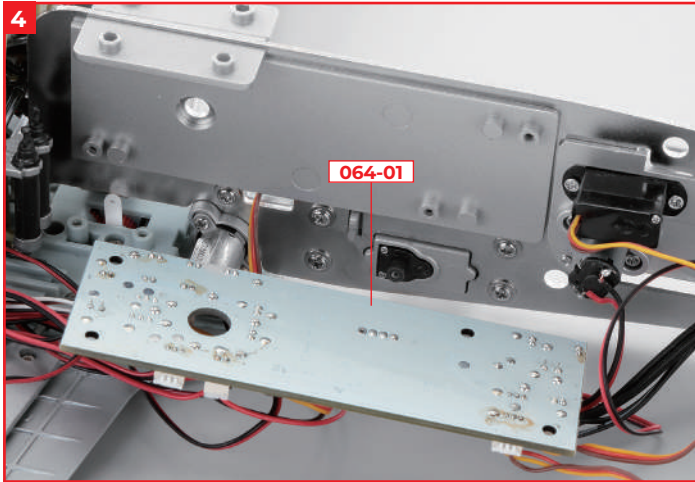
Remove the screw 058-05 from the arm 058-02 attached to the aileron servomotor 058-01 in Stage 58, and remove the arm 058-02.



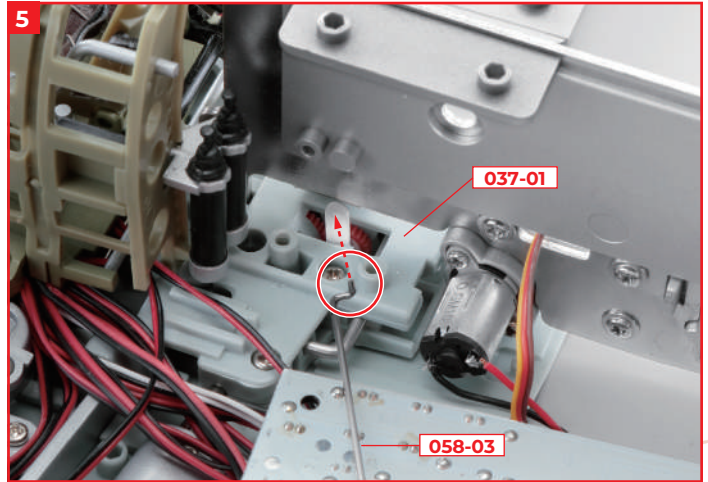
Unplug the aileron servomotor wire 058-01 from the connector labeled H1 on the circuit board 064-01, and insert it into the servomotor test connector on the tester 053-01. Turn on the power of the battery box and press the servomotor reset button.



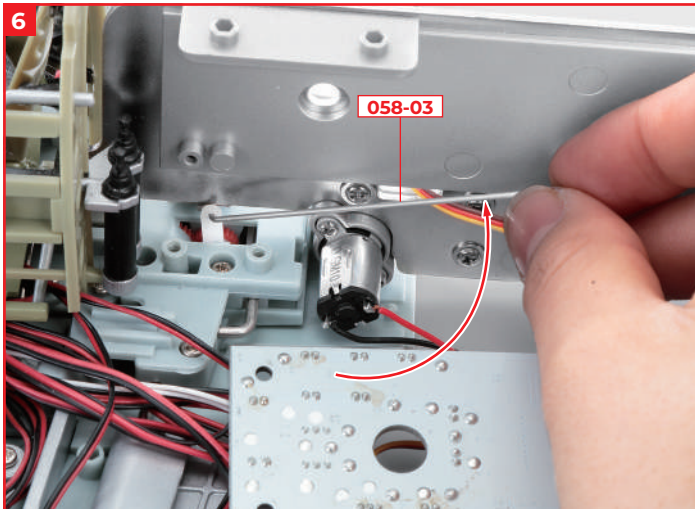
Remove the four screws 064-02 that secure the board 064-01 to the frame part 056-02 of the fuselage frame.



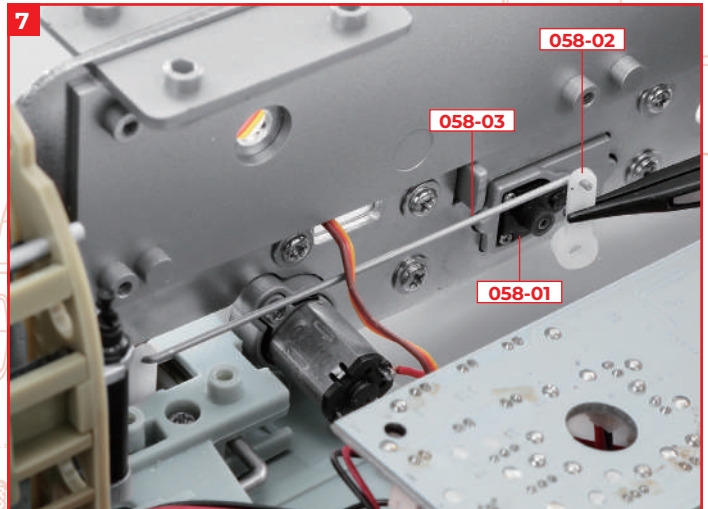
Remove board 064-01 from frame part 056-02.



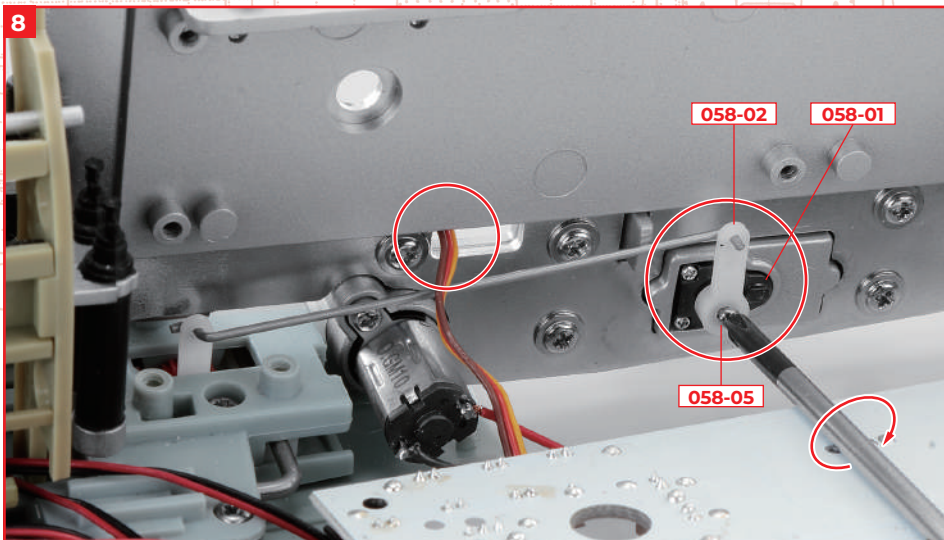
Insert the crank-shaped end of the aileron rod 058-03 from stage 58 into the arm of the aileron operating mechanism 037-01 attached to the main wing base frame 036-01 in stage 37.



Push the aileron rod 058-03 toward the fuselage frame so that the aileron rod and the fuselage frame are parallel.



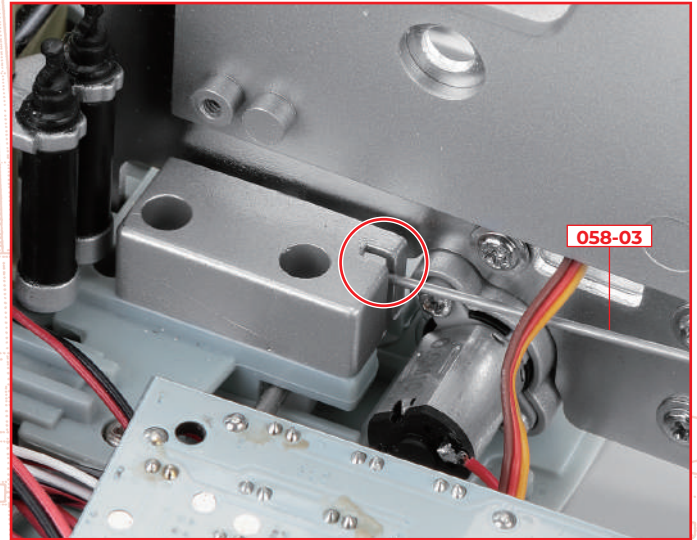
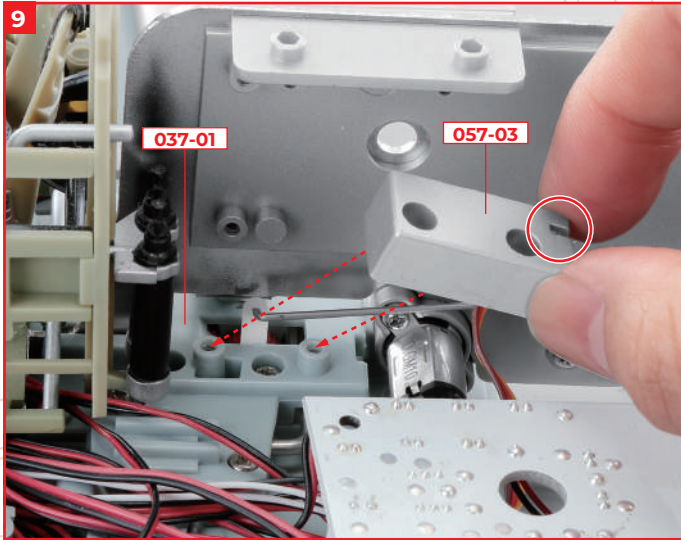
Fit the arm 058-02 removed in 1 into the tip of the aileron rod 058-03, and into the aileron servomotor 058-01.



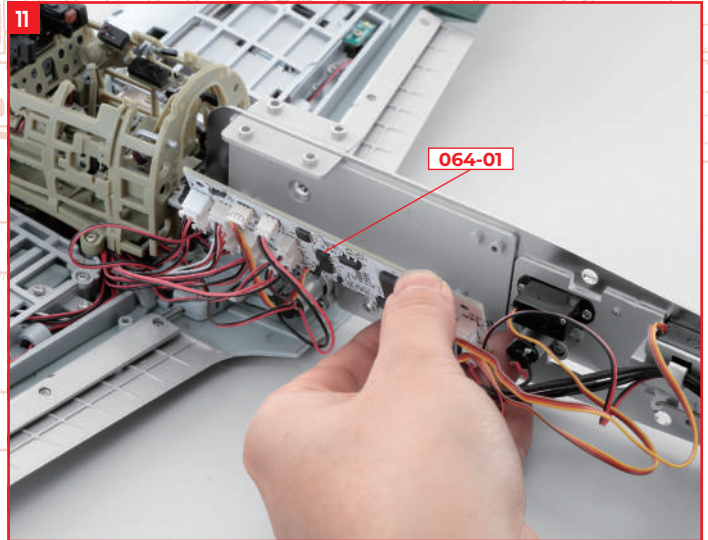
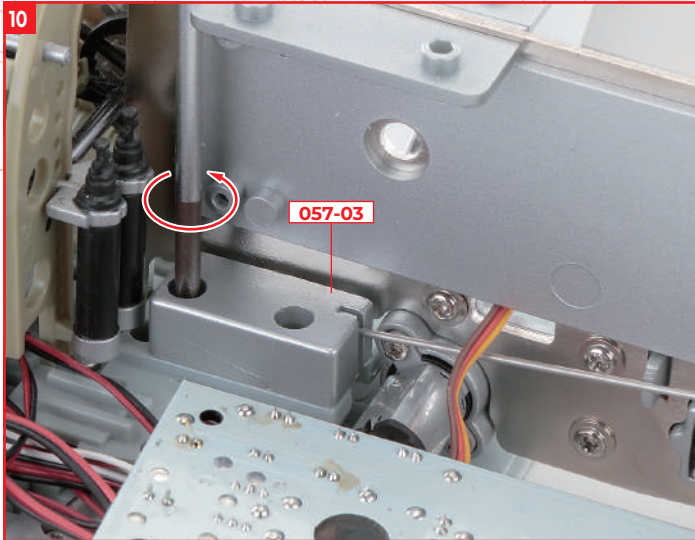
Fix the arm 058-02 to the aileron servomotor 058-01 with the screw 058-05 removed in 1.

NOTE

When installing the aileron rod 058-03, make sure that the aileron servomotor wire 058-01 passes over 058-03.

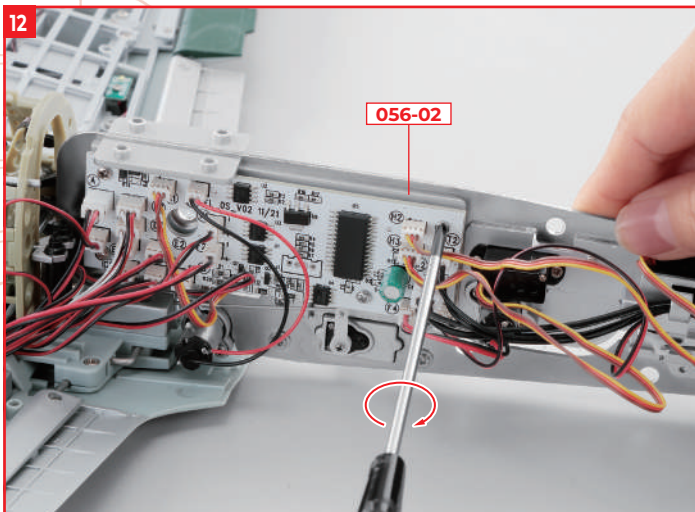


Fit the cover **057-03** that came with stage 57 into the aileron operating mechanism **037-01**. Fit the aileron rod **058-03** into the notch in the cover **057-03**.



Fix the cover **057-03** with the 2 x screws **057-06** from stage 57.

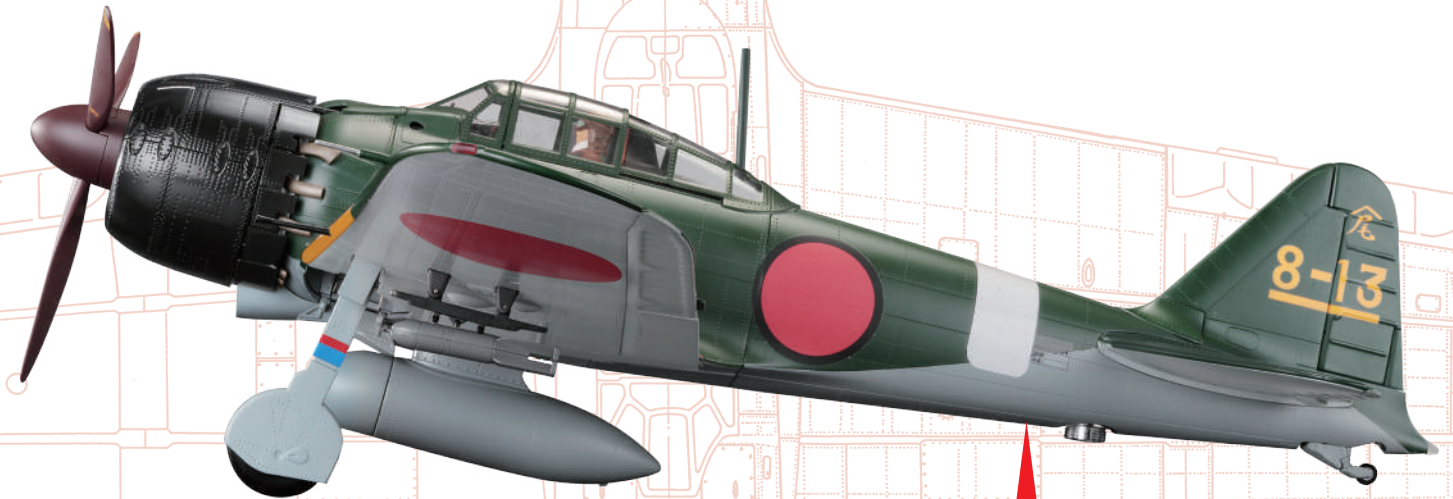
Fit the board **064-01** onto the frame part **056-02**.



Fix the board **064-01** to the frame part **056-02** with 4 x screws **064-02** removed in 3.



Stage 74: Installing the Tail Gear Rod & Frame and Steps

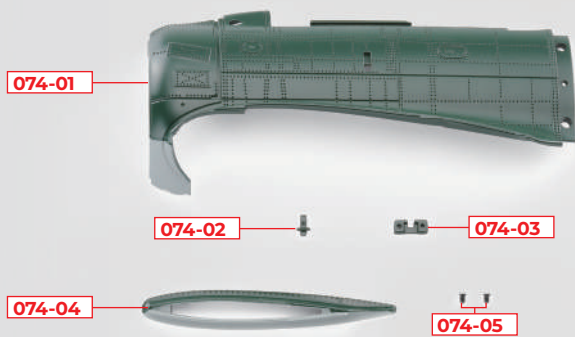


In this stage we'll install the rod which controls the movement of the tail gear during takeoff and landing as well as the steps for getting into and out of the aircraft.

Stage 74 Assembly

Rod, Frame and Steps

STAGE 74 PARTS



PARTS LIST

	Part	No.	Material
<input type="checkbox"/>	074-01	1	Die-cast
<input type="checkbox"/>	074-02	1	ABS resin
<input type="checkbox"/>	074-03	1	ABS resin
<input type="checkbox"/>	074-04	1	ABS resin
<input type="checkbox"/>	074-05	2 (1 spare)	Steel

You will also need: screwdriver

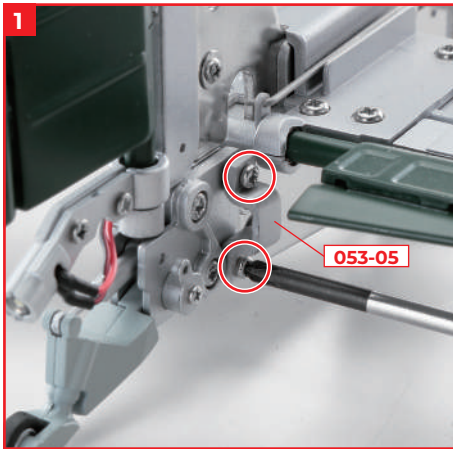
* 074-04 & 074-05 will not be used in this stage. Keep them in a safe place until required.

* Parts may differ slightly from those shown but this will not affect assembly.

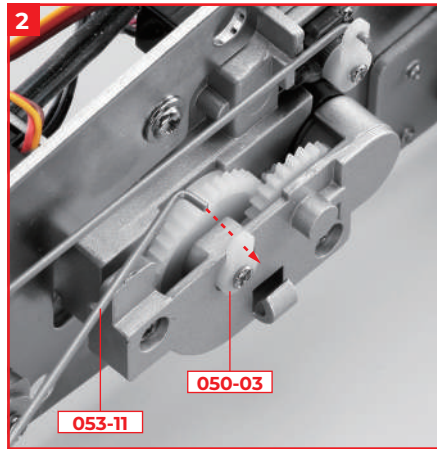
STEP 1

Installing the tail gear rod

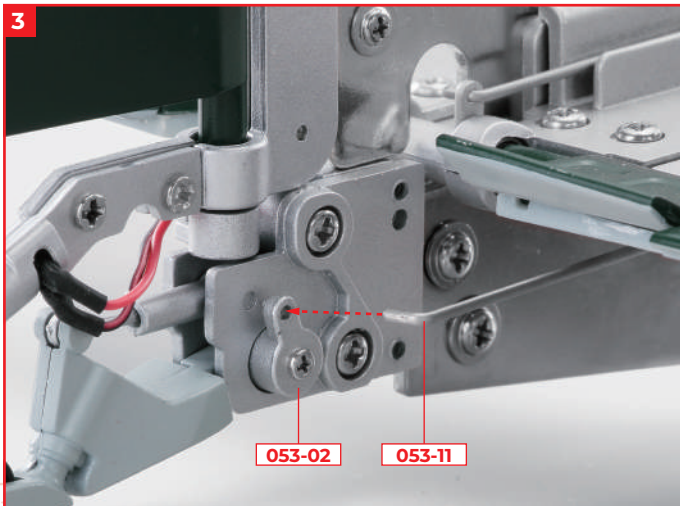
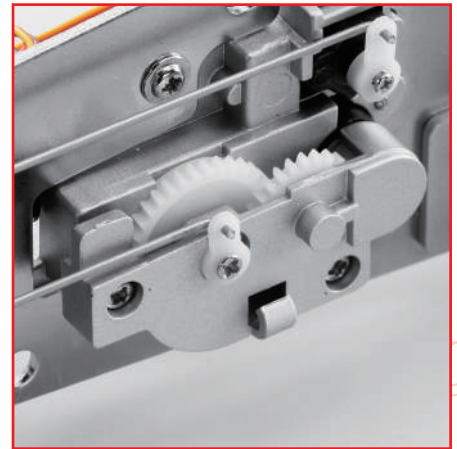
← : Glue
 ← : Don't Glue



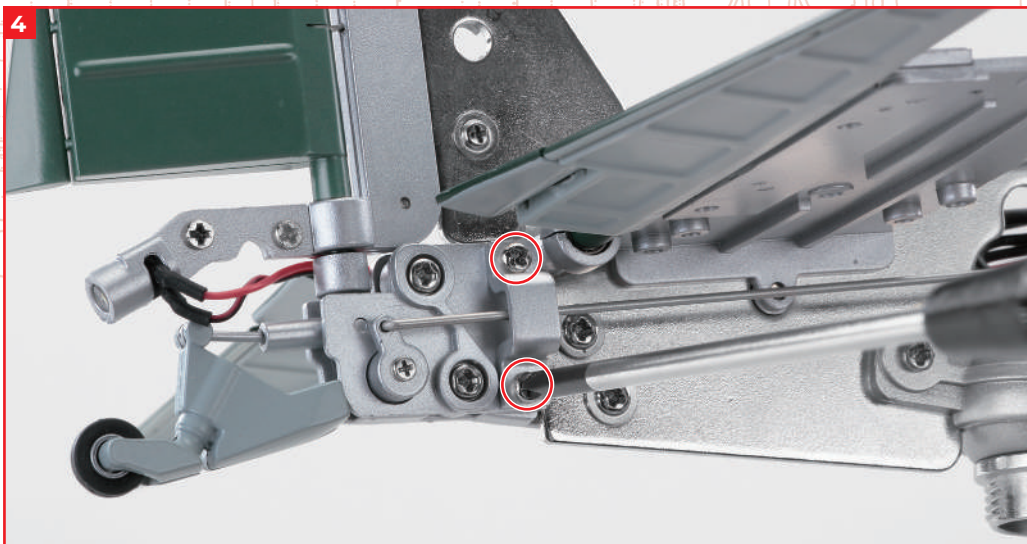
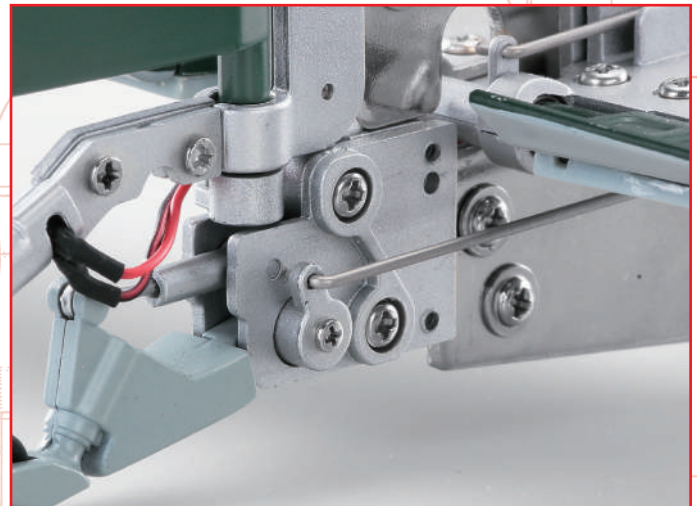
Remove the two screws **053-13** fixing the guard cover **053-05** attached to the tail leg frame (right) **053-08** in stage 53, and remove the guard cover **053-05**.



Insert the tip of the rod **053-11** that came with stage 53 into the hole of the arm **050-03** attached to the gearbox in stage 50 from the inside.



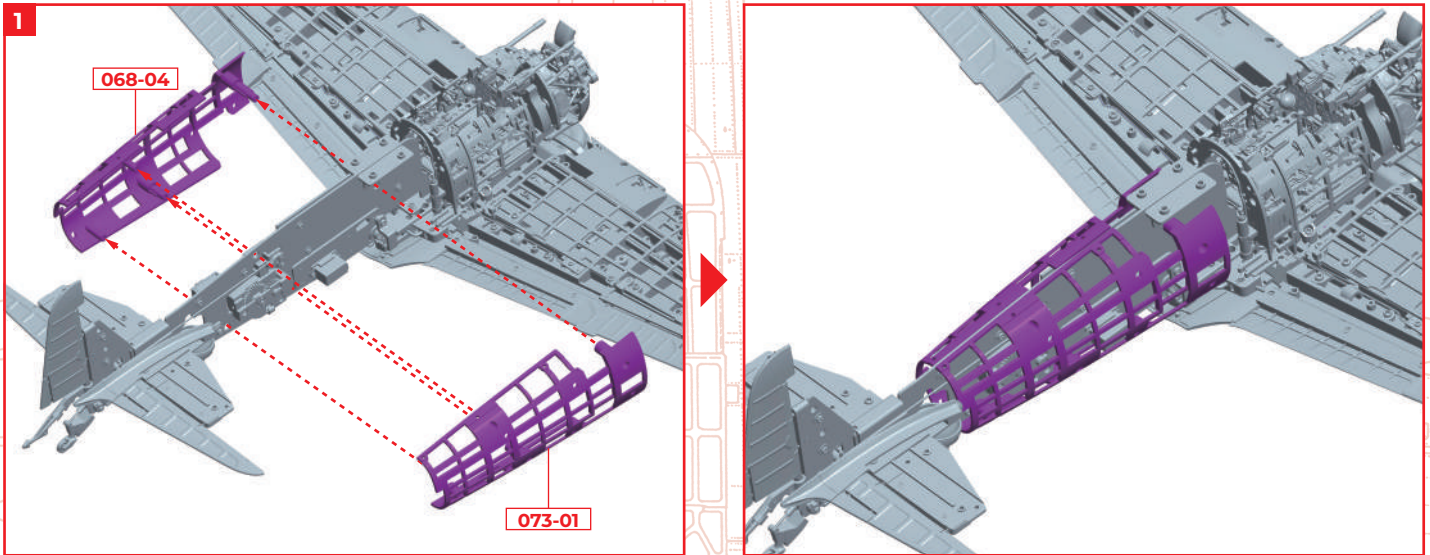
Insert the tip on the opposite side of the rod **053-11** into the hole of the arm **053-02** attached to the tail leg part in stage 53.



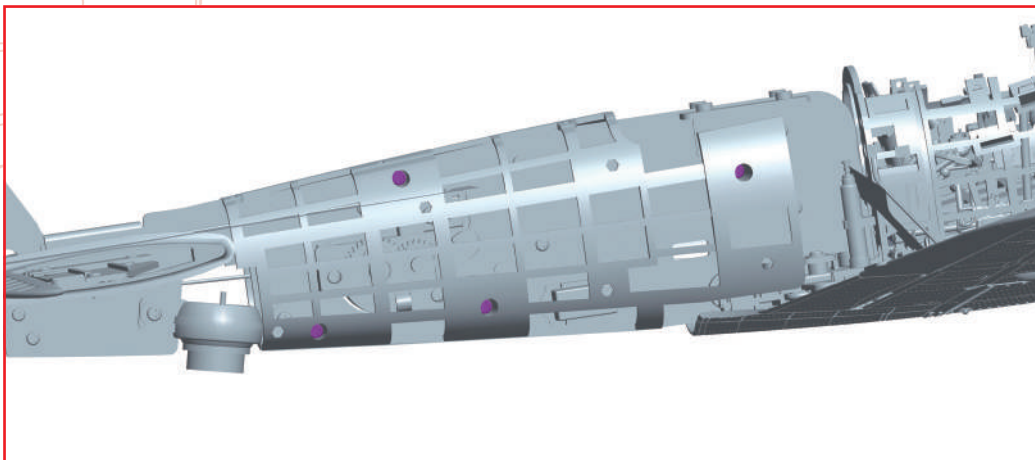
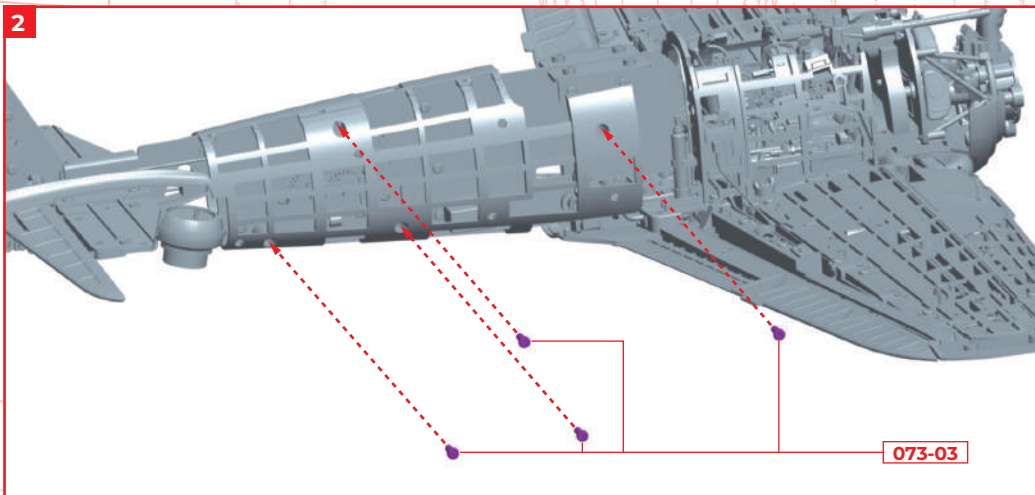
Refit the guard **053-05** removed in step 1 and fix it with the removed screws **053-13**.

STEP 2

Installing the frame



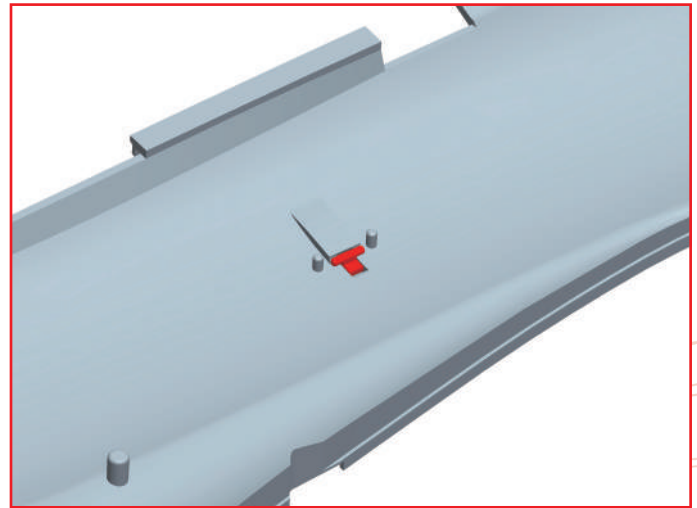
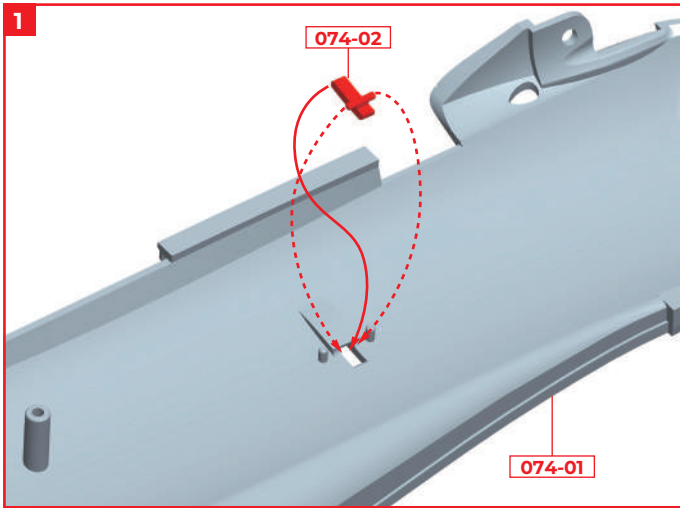
Fit the left frame 068-04 that came with stage 68 on the left side of the aircraft, and fit the right frame 073-01 that came with stage 73 on the right side. If there is a gap between the left and right frames and the fuselage frame, check that the four pins on the left frame are properly inserted into the fuselage frame and that the cable is not pinched.



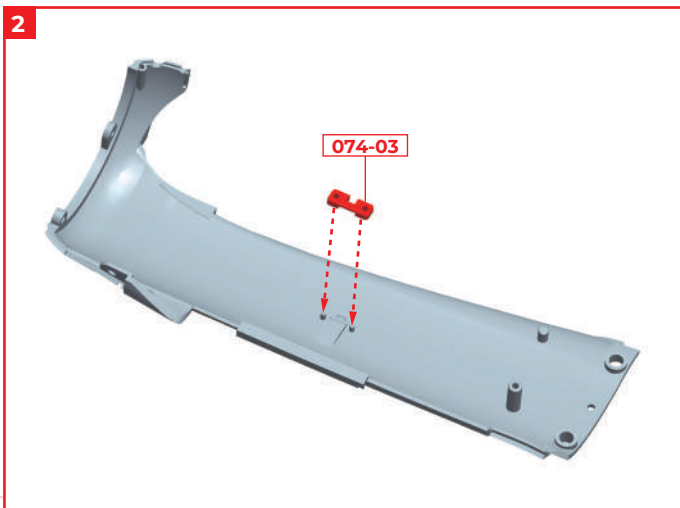
Fix the left and right frames with the 4 x screws 073-03 that came with stage 73.

STEP 3

Installing the steps



Insert step 074-02 from the back side of the left front external panel 074-01. The Step 074-02 is movable and should not be glued.

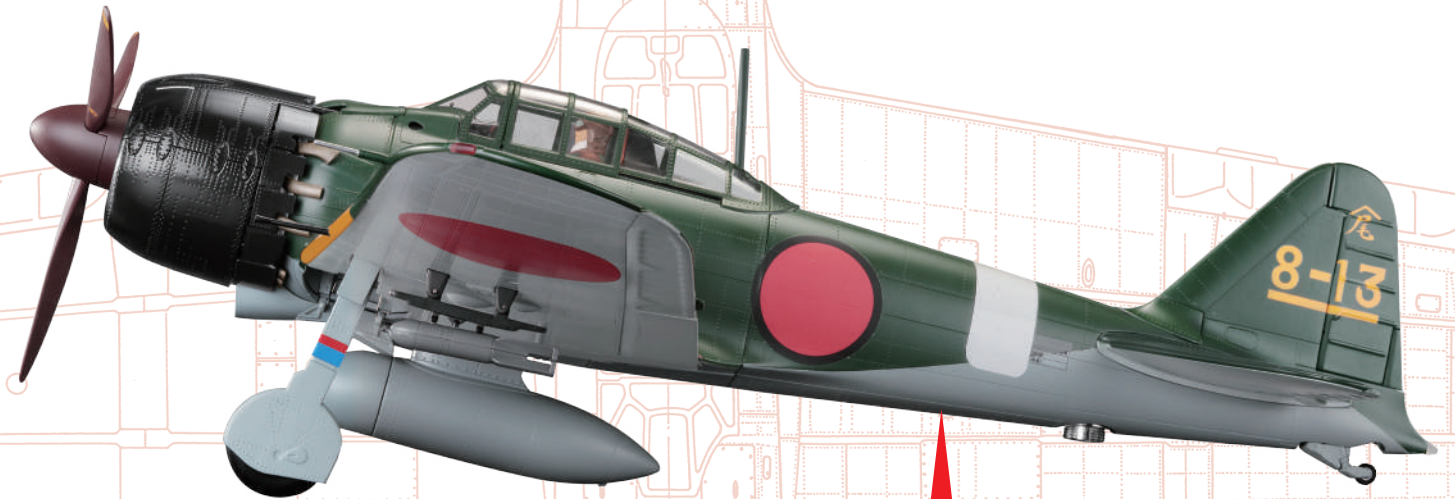


Fit the hinge lock 074-03 to prevent the steps from falling out.

STAGE COMPLETE



Stage 75: Installing the Left Front and Rear External Panels

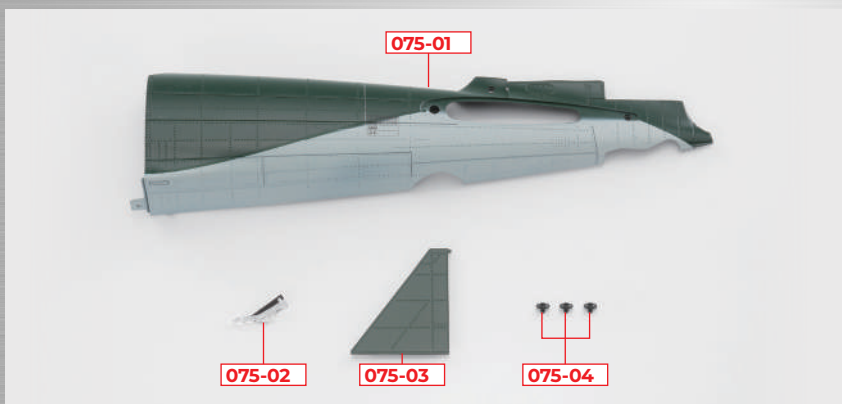


In this stage we'll be assembling the external panels for the length of the aircraft and installing them.

Stage 75 Assembly

External Panels

STAGE 75 PARTS



PARTS LIST

	Part	No.	Material
<input type="checkbox"/>	075-01	1	Die-cast
<input type="checkbox"/>	075-02	1	ABS resin
<input type="checkbox"/>	075-03	1	Die-cast
<input type="checkbox"/>	075-04	3	Steel

You will also need: screwdriver

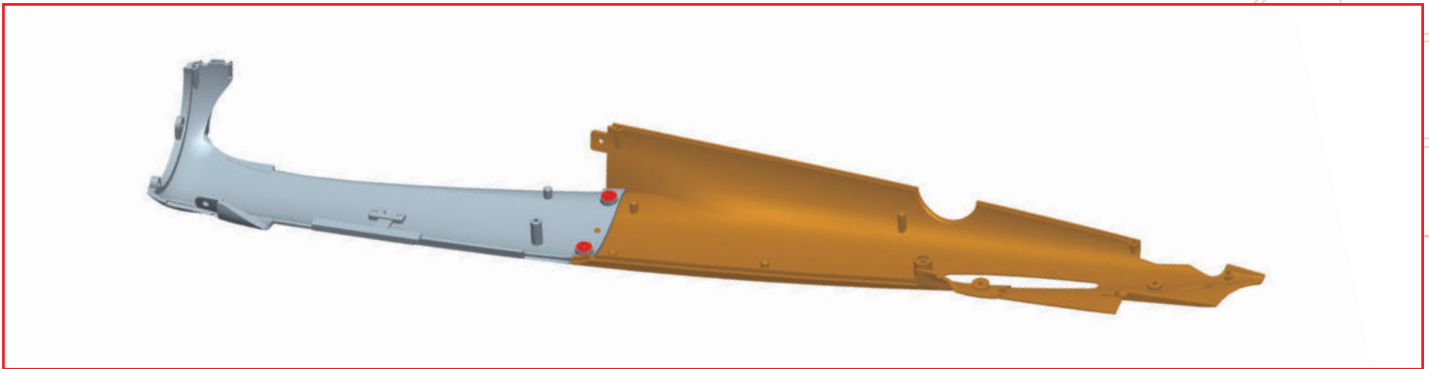
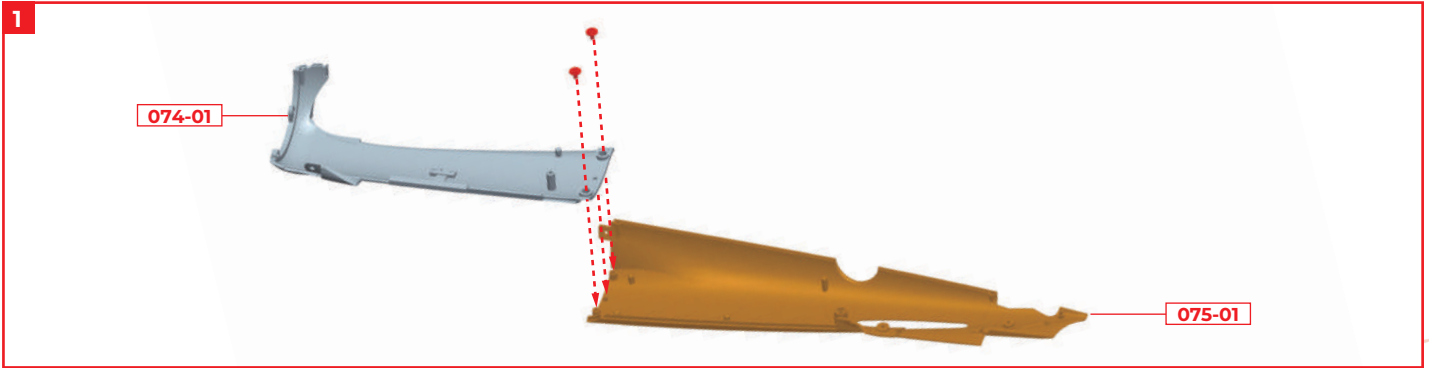
* 075-03 will not be used in this stage. Keep it in a safe place until required.

* Parts may differ slightly from those shown but this will not affect assembly.

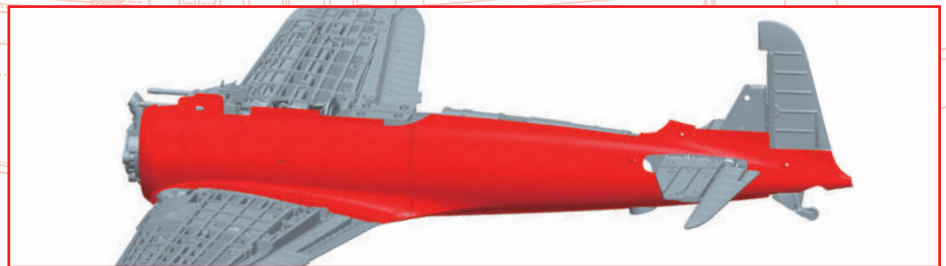
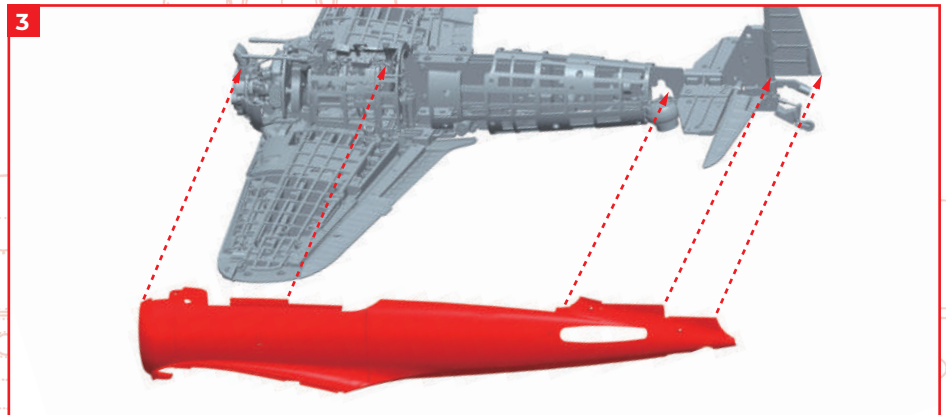
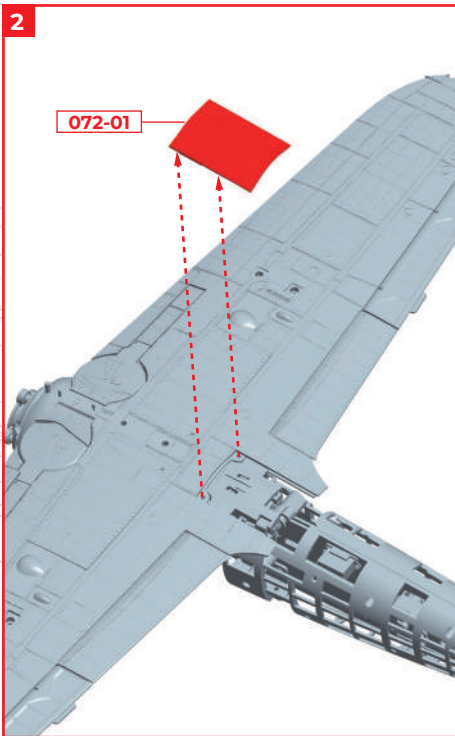
STEP 1

Installing the left front and rear external panels

← : Glue
 - - - : Don't Glue

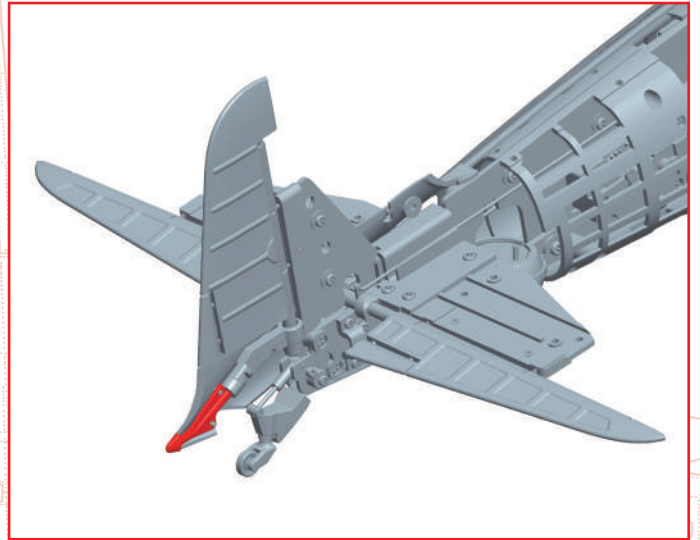
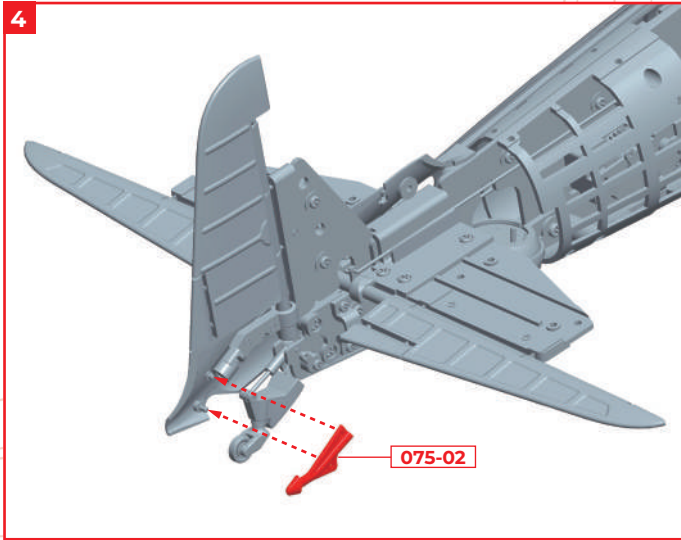


Fit the left front external panel 074-01 to which the step was attached in stage 74 to the left rear panel 075-01, and fix with 2 x screws 075-04.

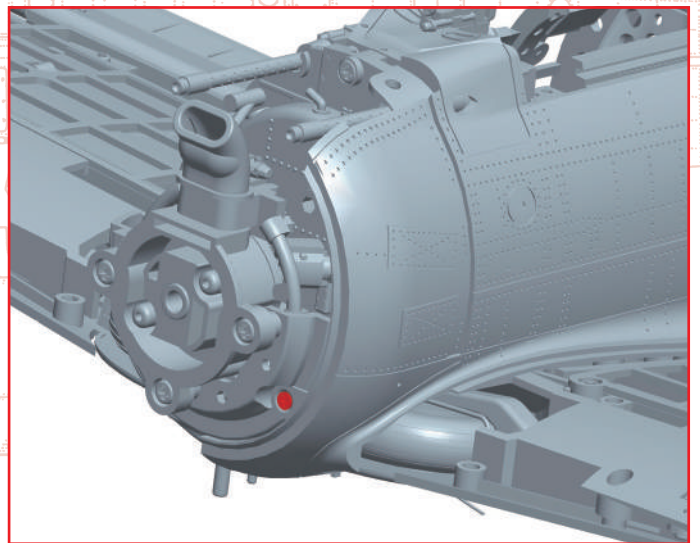
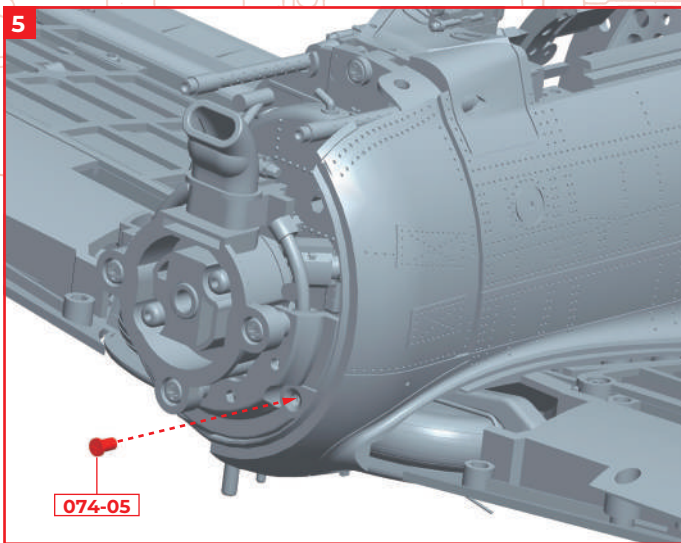


Remove the fuselage underside external panel (2) 072-01, which is fitted in the center of the left and right main wings on the bottom of the fuselage.

Fit the external panels assembled in 1 from the left side of the fuselage. Insert the horizontal stabilizer into the hole in the left rear panel 075-01 first, and then push the entire fuselage outer panel forward to make it easier to fit.



Fit the tail light 075-02 into the left rear panel 075-01.



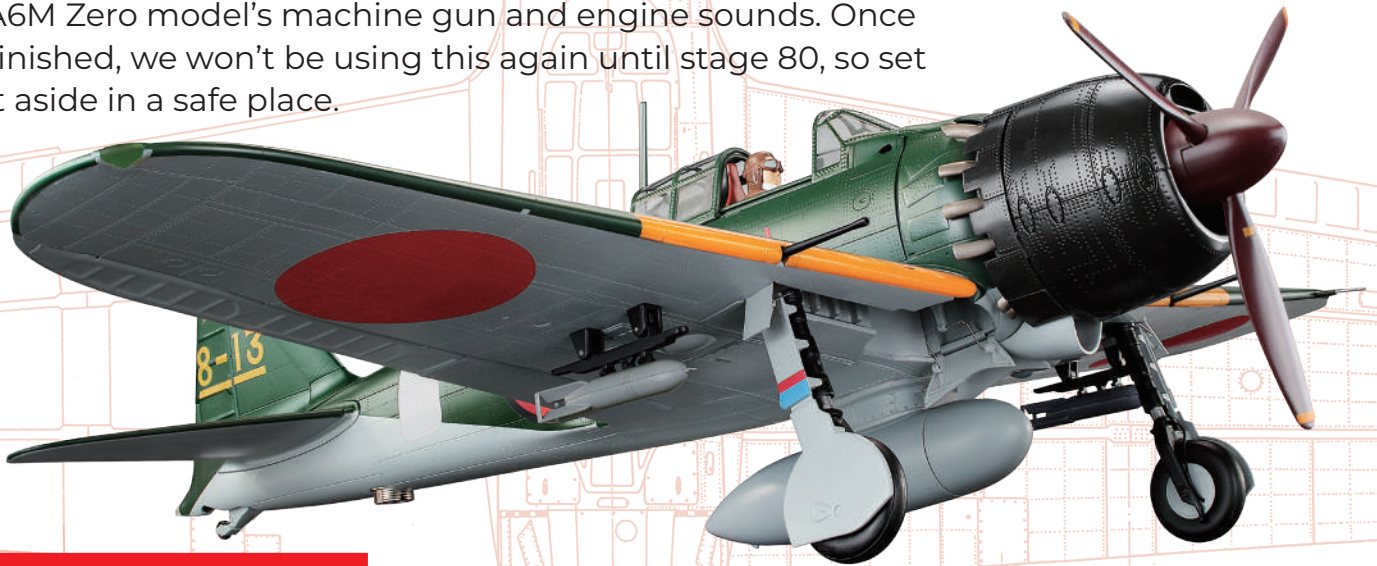
Fix the front external panel 074-01 with 1 x screw 074-05 that came with stage 74.

STAGE COMPLETE



Stage 76: Assembling the Speaker

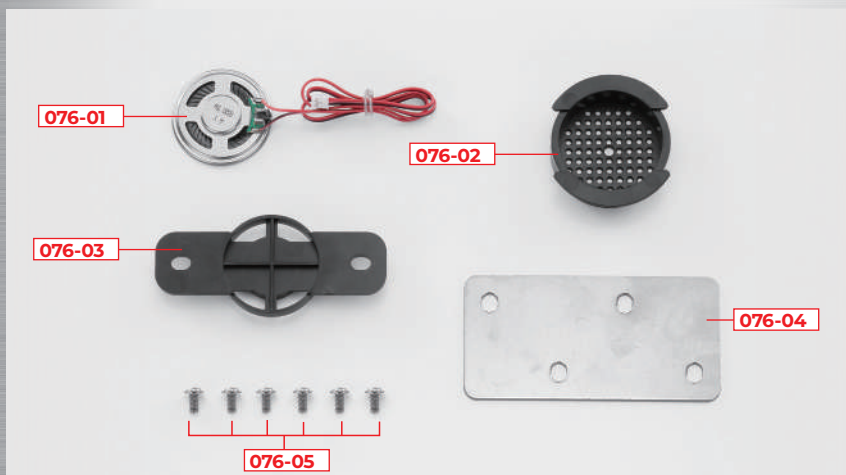
In this stage we'll be assembling the speaker used for the A6M Zero model's machine gun and engine sounds. Once finished, we won't be using this again until stage 80, so set it aside in a safe place.



Stage 76 Assembly

Speaker

STAGE 76 PARTS



PARTS LIST

	Part	No.	Material
<input type="checkbox"/>	076-01	1	Speaker
<input type="checkbox"/>	076-02	1	Steel
<input type="checkbox"/>	076-03	1	Steel
<input type="checkbox"/>	076-04	1	Steel
<input type="checkbox"/>	076-05	6	Steel

You will also need: screwdriver

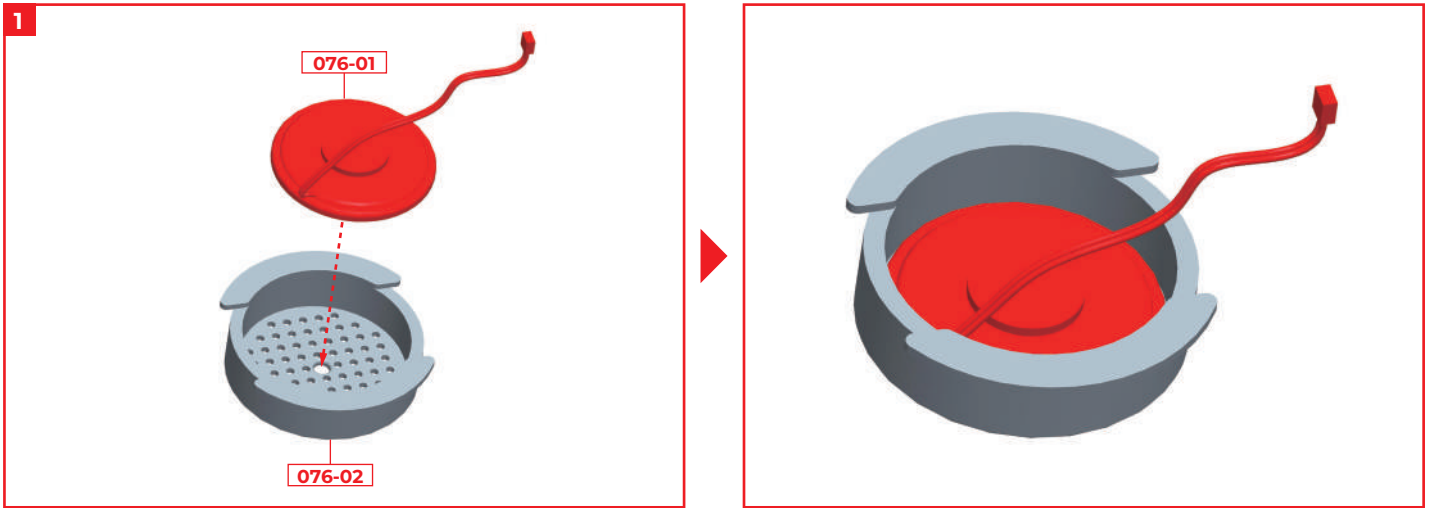
*076-04 & 076-05 will not be used in this stage. Keep them in a safe place until required.

*Parts may differ slightly from those shown but this will not affect assembly.

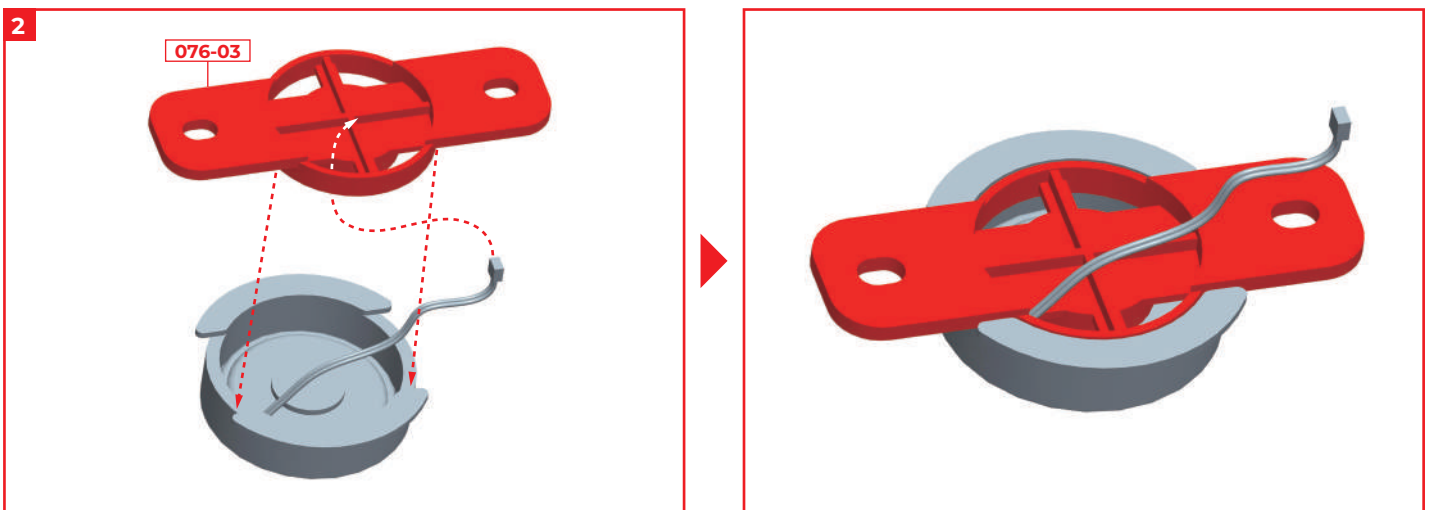
STEP 1

Assembling the speaker

← : Glue
← : Don't Glue

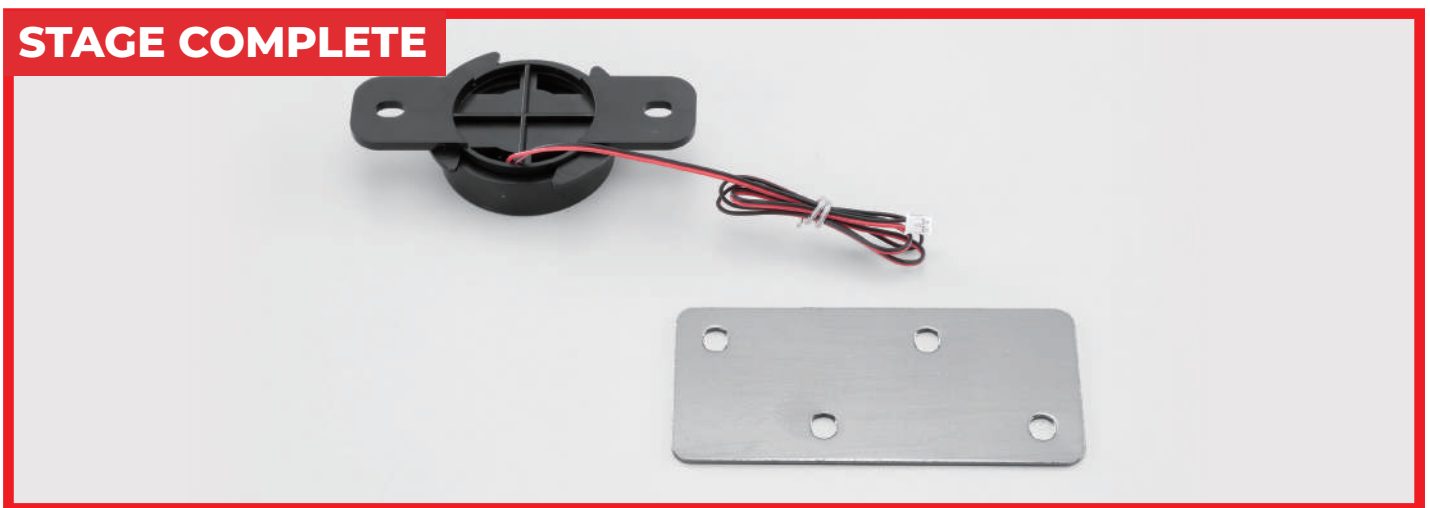


Fit the speaker 076-01 into the speaker case 076-02 with the metal side of the speaker facing up.



Insert the speaker wire 076-01 through the hole in the speaker frame 076-03, and insert the speaker frame 076-03 into the speaker case 076-02.

STAGE COMPLETE



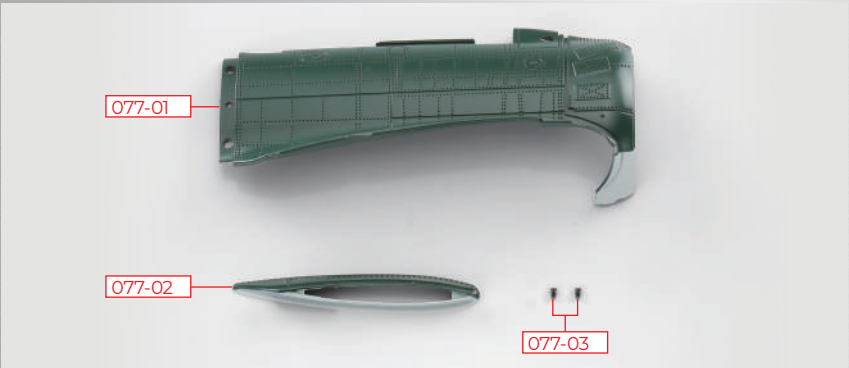
Stage 77: Checking Parts for the Right Front External Panel



Stage 77 Assembly
Front External Panel

In this stage we'll be unpacking the parts used for the right front external panel. Once you've checked you've got all the right parts, set these aside in a safe place for later use.

STAGE 77 PARTS



PARTS LIST

	Part	No.	Material
<input type="checkbox"/>	077-01	1	Die-cast
<input type="checkbox"/>	077-02	1	ABS resin
<input type="checkbox"/>	077-03	2 (1 spare)	Steel

* There is no assembly required in this stage. Keep parts safe for use in a future stage.
 * Parts may differ slightly from those shown but this will not affect assembly.