
1967

SHELBY GT500

SUPER SNAKE

1:8 SCALE



Pack 07 | Build Instructions

Your Shelby GT500 Super Snake is a finely detailed model replicating every aspect of the original car. From the paint color to the smallest interior details, every piece is precisely reproduced.

In your seventh model pack, you will assemble:

STAGE 47: RIGHT REAR INTERIOR PANEL
Decorative Accessory and Rear Seat Release Lever

**STAGE 48: LEFT REAR UPPER INTERIOR
PANEL AND VENTILATION GRILLE**

**STAGE 49: LOWER DASHBOARD PANEL,
ROLL BAR AND SEAT BELTS**

STAGE 50: REAR SEAT AND SEAT BELTS

**STAGE 51: REAR PLATFORM AND
SEAT-BACK LOCKS**

STAGE 52: LEFT FRONT WHEEL
Tire, Rim, Brake disc, Wheel hub,
Brake Caliper and Hubcap

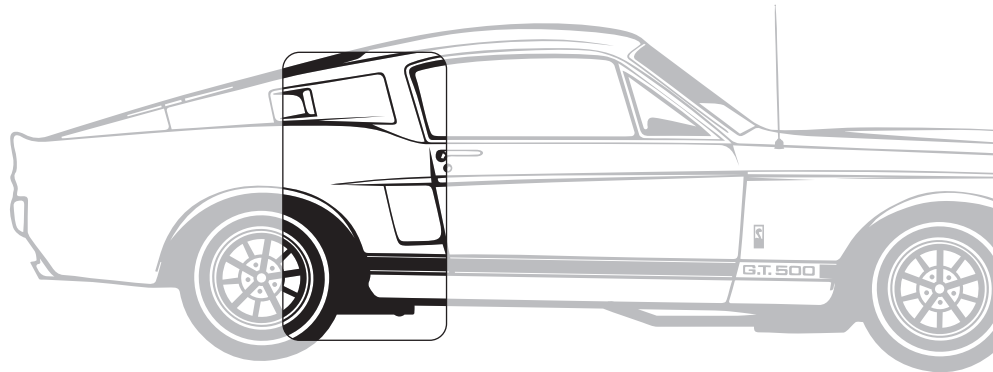
**STAGE 53: RIGHT FRONT
TIRE AND RIM**

**STAGE 54: MUFFLER AND
EXHAUST PIPES**

STAGE 55: RIGHT FRONT WHEEL PARTS
Brake disc, Wheel hub,
Brake Caliper and Hubcap

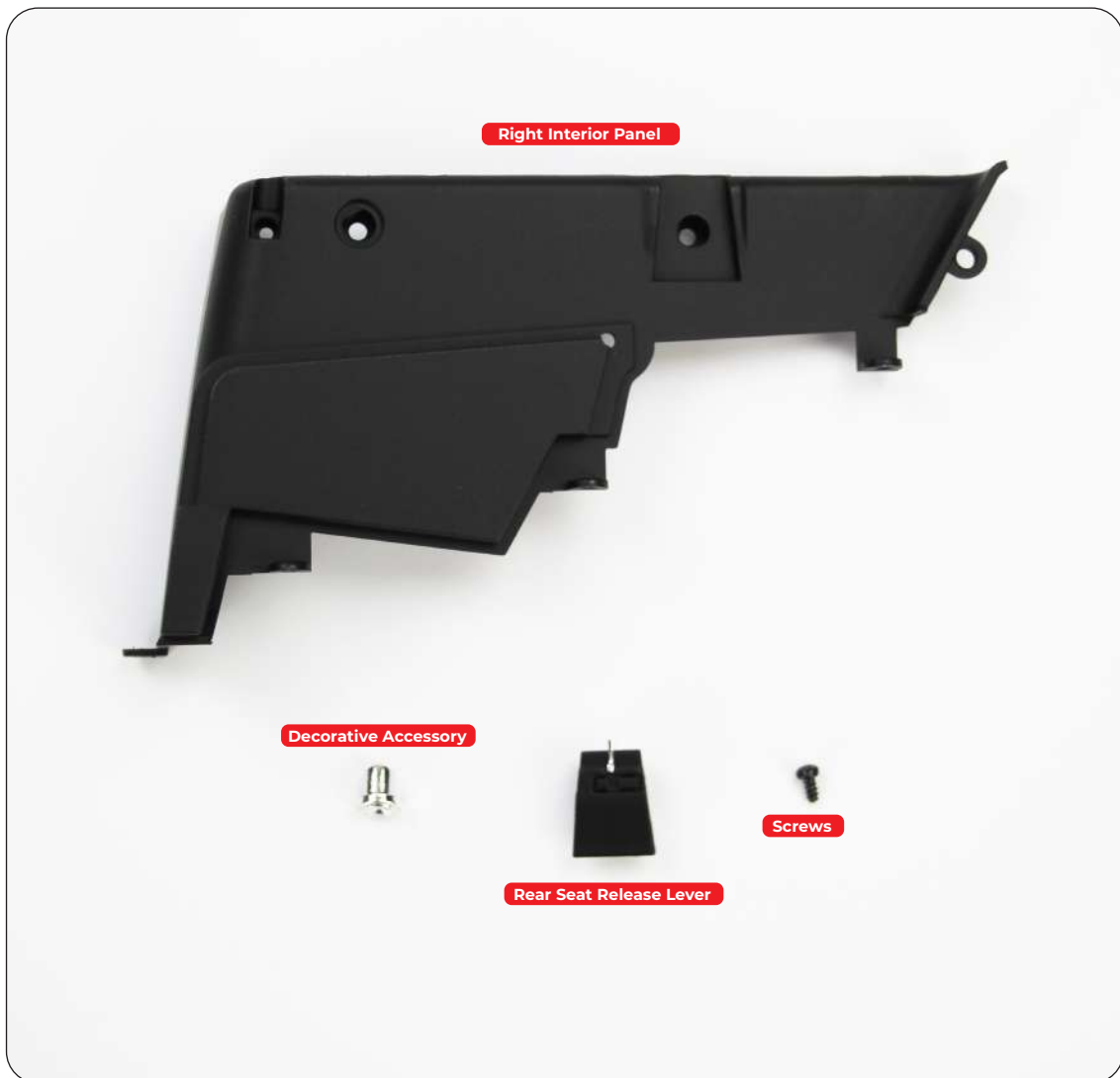
Stage 47: Right Rear Interior Panel

You will start Pack 7 by building the right rear interior sections.



STAGE 47 PARTS LIST

Name	Quantity
Right Interior Panel	1
Rear Seat Release Lever	1
Decorative Accessory	1
Screws TYPE MP01	6 [inc. 1 spare]



Stage 47: Right Rear Interior Panel

STEP 1

ATTACH THE DECORATIVE ACCESSORY TO THE INTERIOR PANEL

Align the Decorative Accessory with the hole on the Right Rear Interior Panel. Note that the accessory and the hole have a straight edge. Push the accessory into place and fix from the reverse side using a TYPE MP01 screw.



STEP 2

ATTACH THE SEAT RELEASE LEVER TO THE INTERIOR PANEL

Align the Seat Release Lever with the Right Interior Panel. Place into position and fix from the reverse side using a TYPE MP01 screw.

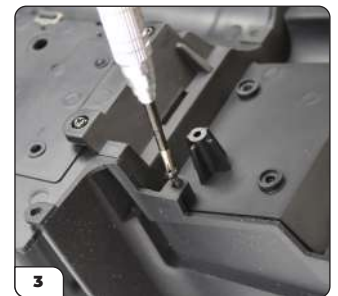


Stage 47: Right Rear Interior Panel

STEP 3

ATTACH THE RIGHT INTERIOR PANEL TO THE REAR PLATFORM AND REAR SEAT SUPPORT ASSEMBLY

Align the Right Interior Panel with the Rear Seat Support and Rear Platform assembled in the previous two stages. Hook the hole on the Interior Panel over the lug as indicated in picture 2. Hook the remaining 3 holes over the 3 screw holes. Secure with 1 x TYPE MP01 screw in the position indicated in picture 3.



STEP 4

ATTACH THE REAR SEAT FOLDING PANEL AND BACKREST ASSEMBLY

Take the Rear Seat Folding Panel and Backrest assembly from stage 46 and slot the lower lug into the hole in the Left Interior Panel. Pull the Right Interior Panel gently to allow the right-hand lug on the Backrest assembly to fit into the corresponding hole on the right-hand side. Finish fixing the Right Interior Panel into place using 2 x TYPE MP01 screws. Check that the floor tenon fits into the corresponding hole as indicated.



ADVICE FROM THE EXPERTS

If you are finding it difficult to line up the screw holes, try fitting the panel in reverse, fitting the floor tenon first, followed by the hook and lug (step 3 picture 2), then the backrest, and finally the two MP01 screws.



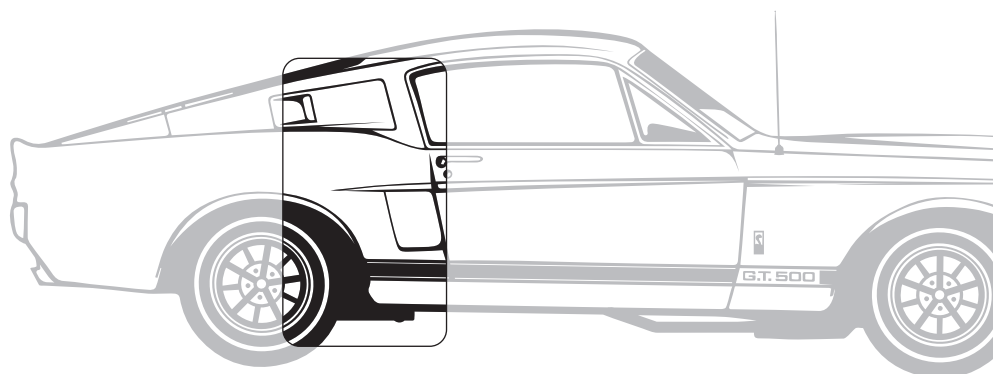
Stage 47: Right Rear Interior Panel

Stage 47 complete!



Stage 48: Right Rear Upper Interior Panel and Ventilation Grille

You will continue to build the right rear interior sections



STAGE 48 PARTS LIST

Name	Quantity
Right Upper Interior Panel	1
Ventilation Grille	1
Screws TYPE MP01	5 [inc. 1 spare]
Screws TYPE MP05	2 [inc. 1 spare]

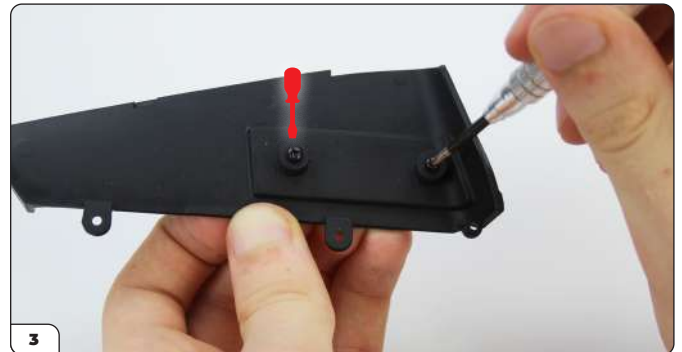


Stage 48: Right Rear Upper Interior Panel and Ventilation Grille

STEP 1

ATTACH THE VENTILATION GRILLE TO THE RIGHT INTERIOR PANEL

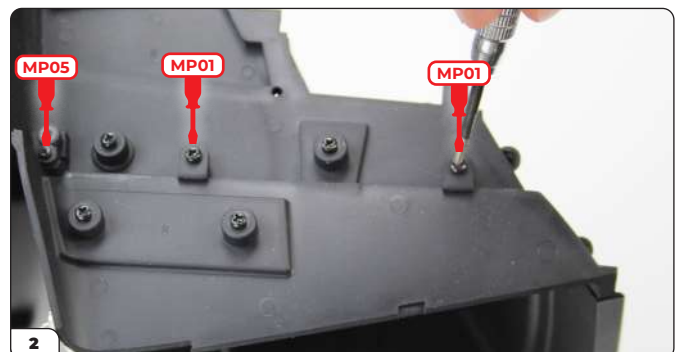
Align the lugs on the Ventilation Grille with the holes on the Right Upper Interior Panel. Place into position and fix on the reverse side using 2 x TYPE MP01 screws.



STEP 2

ATTACH THE RIGHT INTERIOR UPPER PANEL TO THE RIGHT INTERIOR PANEL

Align the holes on the Right Interior Upper Panel with the screw holes on the Right Interior Panel from Stage 42. Check that the loop is correctly positioned over the lug on the end as indicated in the image on the right. Fix into place using 2 x TYPE MP01 screws and 1 x TYPE MP05 screw as shown in picture 2.



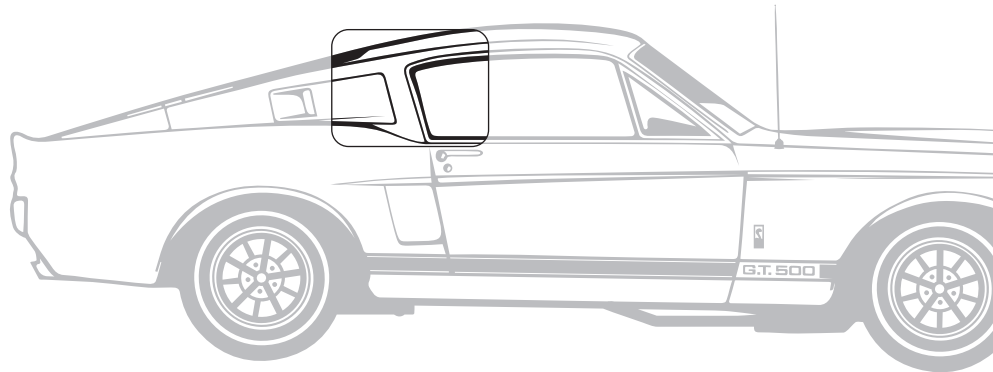
Stage 48: Right Rear Upper Interior Panel and Ventilation Grille

Stage 48 complete!



Stage 49: Lower Dashboard Panel, Roll Bar and Seat Belts

You will now add another part of the dashboard and start assembling the seat belts



STAGE 49 PARTS LIST

Name	Quantity
Dashboard Bottom Panel	1
Roll Bar	1
Seat Belt Retractor	2
Y-Shaped Driver and Passenger Seat Belts	2
Screws TYPE MP01	3 [inc. 1 spare]
Screws TYPE MP05	5 [inc. 1 spare]



Stage 49: Lower Dashboard Panel, Roll Bar and Seat Belts

STEP 1

ATTACH THE DASHBOARD BOTTOM PANEL

Insert the Dashboard Bottom panel as shown in the picture. The raised side of the panel should face the interior of the car. Secure in place using 2 x TYPE MP01 screws.



ADVICE FROM THE EXPERTS

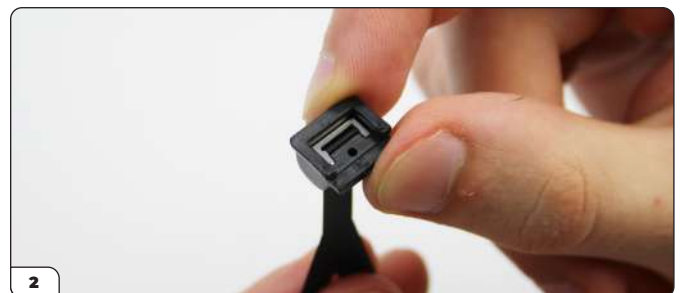
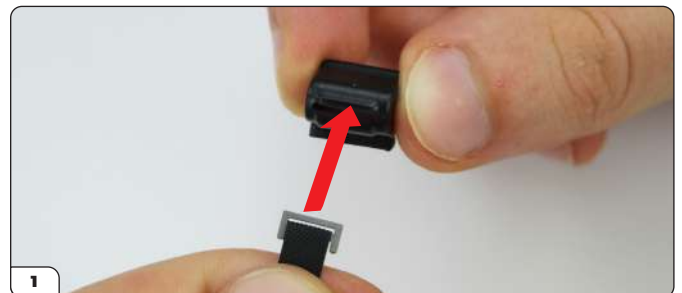
If you are finding this awkward, you can easily remove the dashboard by unscrewing the two screws that hold it to the front of the interior floor. Refer to stage 37, step 5.



STEP 2

ATTACH THE SEAT BELTS TO THE ROLL BAR

Take the Seat Belt Retractors and note that they are marked L (Left) and R (Right). Take the Y-shaped Seat Belts and note that there is a 'right' and a 'wrong' side (the glued ends can be seen on the wrong side). Take one of the Seat Belts (they are both the same) and hold it with the right side facing up. Hold the Right Seat Belt Retractor in the other hand and align the slot in the Retractor with the buckle at the single end of the Seat Belt. Push the buckle through the slot and direct the buckle to lay horizontally so that it can't pull back through. Hold the Retractor, with Seat Belt in place, up to the Roll Bar as shown. Secure in place with a TYPE MP05 screw. Repeat with the Left Retractor and Seat Belt on the driver's side.

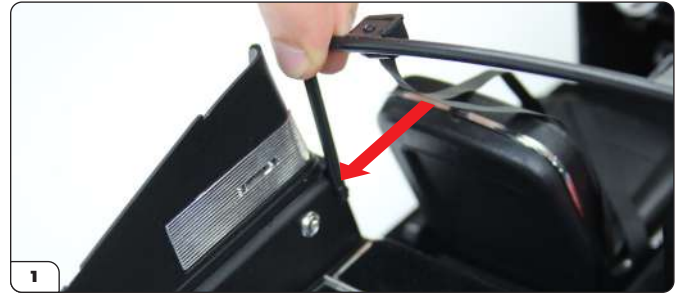


Stage 49: Lower Dashboard Panel, Roll Bar and Seat Belts

STEP 3

ATTACH THE ROLL BAR TO THE INTERIOR REAR SECTION OF THE CAR

Take your interior assembly and align the lugs on the Roll Bar with the holes in the Rear Side Panel. Check the Seat Belt Retractors are facing forwards. Push into position and secure from the outside with Two MP05 screws, one on each side.



STEP 4

FIX THE SEAT BELTS

Introduce the buckle on the outside section of the Y-shaped Seat Belt on the driver's side into the slot in the floor, next to the Seat Belt Fastener from Stage 38. Hook the buckle around the projection on the underside of the floor and push to secure in place. Repeat with the inner section of the driver's Y-shaped Seat Belt, pushing the buckle through the slot on the opposite side of the seat. Repeat for the passenger's Seat Belt.



ADVICE FROM THE EXPERTS

If the buckles don't feel securely fixed on the underside of the floor, fix with a tiny dot of superglue.



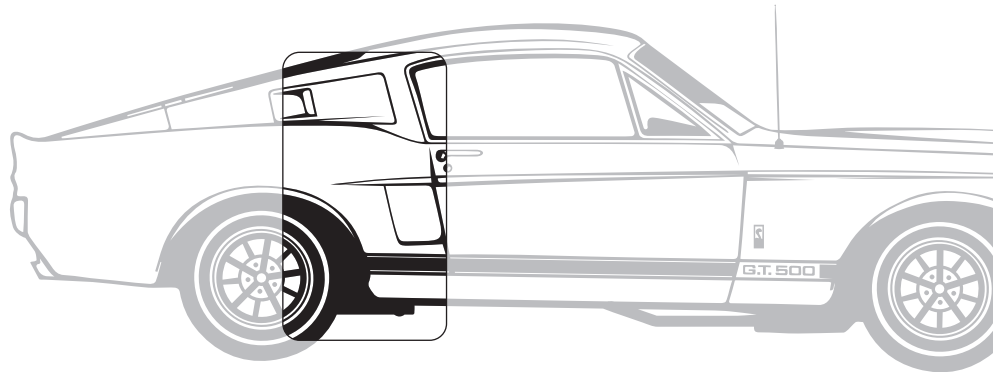
Stage 49: Lower Dashboard Panel, Roll Bar and Seat Belts

Stage 49 complete!



Stage 50: Rear Seat and Seat Belts

You will continue building the rear interior sections.



STAGE 50 PARTS LIST

Name	Quantity
Rear Seat	1
Rear Seat Belt Centre Section	2
Rear Seat Belt Side Section	2
Screws TYPE MP01	5 [inc. 1 spare]

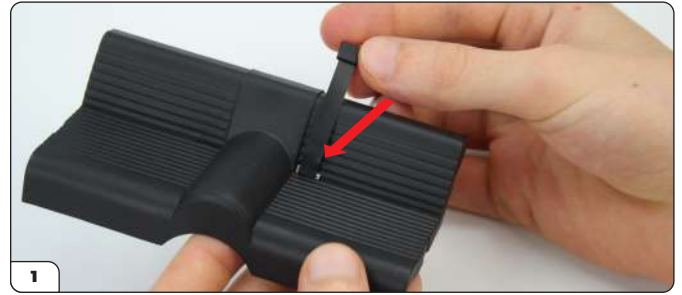


Stage 50: Rear Seat and Seat Belts

STEP 1

ATTACH THE SEAT BELTS TO THE REAR SEAT

Take one of the Seat Belt Centre Sections and hold so that the Shelby logo is facing towards the seat. Push the buckle through the slot in the Seat. Press the buckle over the lug on the underside of the Seat to secure in place. Repeat with the second Centre Section, pushing the buckle through the slot in the centre of the Seat and securing on the underside. Ensure the Shelby logo is facing the back of the Seat. After securing the Seat Belts lay them flat on the Seat Bottom as shown in picture 4. The Shelby logo should now be visible.



STEP 2

ATTACH THE SEAT BELT SIDE SECTIONS TO THE REAR SEAT

Take a Rear Seat Belt Side Section and note there is a right side and wrong side (the wrong side has the glued ends of the Seat Belt visible). Turn the Seat upside down and hold the Seat Belt Side Section with the wrong side against the seat. Press the buckle over the fixing lug as shown. Repeat with the second Side Section on the opposite side. Bring both side sections over the Seat so that the right side of each Seat Belt now faces up, as shown in picture 2.



Stage 50: Rear Seat and Seat Belts

STEP 3

FIX THE REAR SEAT TO THE INTERIOR ASSEMBLY

Position the Rear Seat in the rear of the car as shown. Hold in place, turn the assembly over, and fix the Rear Seat from the underside with 4 x TYPE MP01 screws.



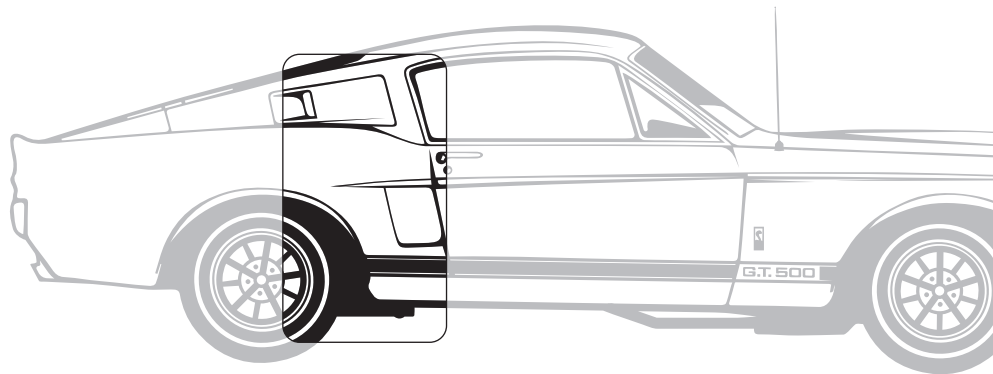
Stage 50: Rear Seat and Seat Belts

Stage 50 complete!



Stage 51: Rear Platform and Seat-Back Locks

You will continue building the rear interior section.



STAGE 51 PARTS LIST

Name	Quantity
Rear Platform Fabric	1
Rear Platform Base	1
Seat Locks	2
Screws TYPE MP01	3 [inc. 1 spare]
Screws TYPE MP05	3 [inc. 1 spare]

Rear Platform Fabric



Rear Platform Base



Seat Locks



Screws

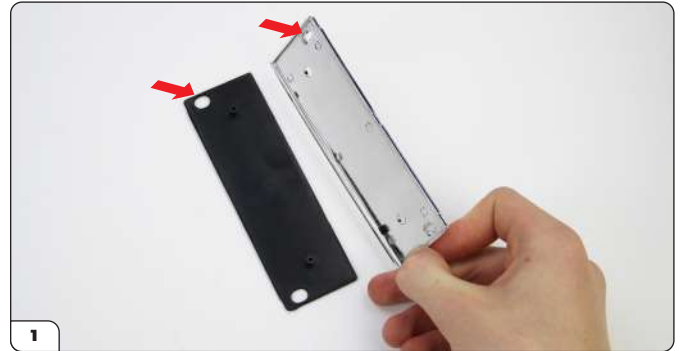


Stage 51: Rear Platform and Seat-Back Locks

STEP 1

ATTACH THE REAR PLATFORM FABRIC TO THE REAR PLATFORM BASE

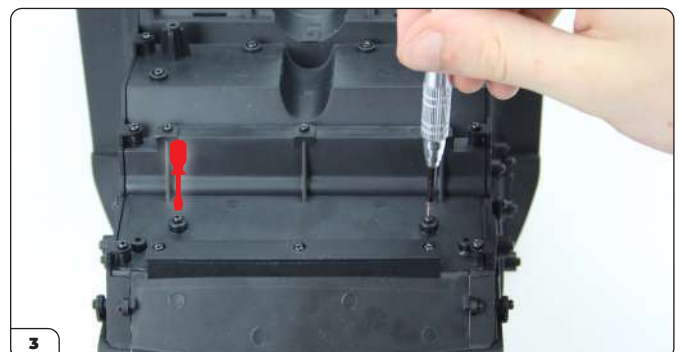
Place the Rear Platform Fabric on your work table, with the fabric side facing down. Align the holes on the Platform Base with the lugs on the Platform Fabric. Check that the corner holes are both aligned. Press the pieces together to fit.



STEP 2

FIT THE PLATFORM ASSEMBLY TO THE INTERIOR OF THE CAR

Position the platform assembly at the rear of the interior assembly, aligning the lugs with the holes. Push into place for a perfect fit, then turn the assembly over and fix into place with 2 x TYPE MP01 screws.



Stage 51: Rear Platform and Seat-Back Locks

STEP 3

ADD THE SEAT LOCKS

Insert one of the Seat Locks into the hole on the right-hand side of the platform assembly. Note that there is a small notch to determine the correct orientation (see inset). Secure in place from the underside with an MP05 screw. Repeat on the left-hand side of the platform assembly with the second Seat Lock.

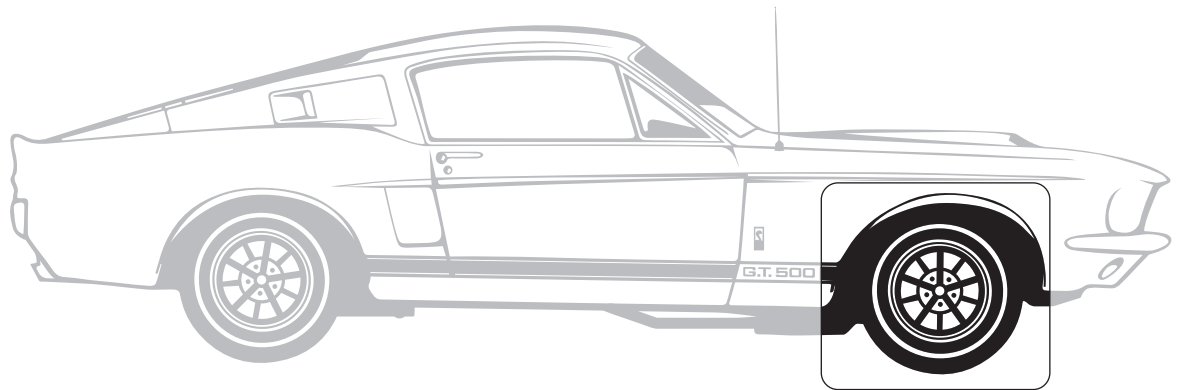


Stage 51 complete!



Stage 52: Left Front Wheel

In this stage you will build your first wheel.



STAGE 52 PARTS LIST

Name	Quantity
Tire	1
Rim	1
Brake Disc	1
Wheel Hub	1
Brake Caliper	1
Wheel Hubcap	1
Brake Disc Inside cover	1
Screwdriver	1
Screws TYPE MD04	2 [inc. 1 spare]
Screws TYPE MD01	2 [inc. 1 spare]



Stage 52: Left Front Wheel

STEP 1

FIT THE TIRE TO THE RIM

Hold the Rim at a right angle to the tire and push through the centre of the Tire until halfway through. Rotate vertically into the correct orientation and pull the Tire over the outside edges of the Rim, quickly working your way around the tire.



ADVICE FROM THE EXPERTS

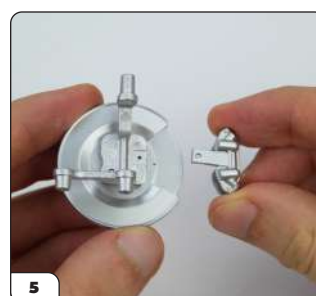
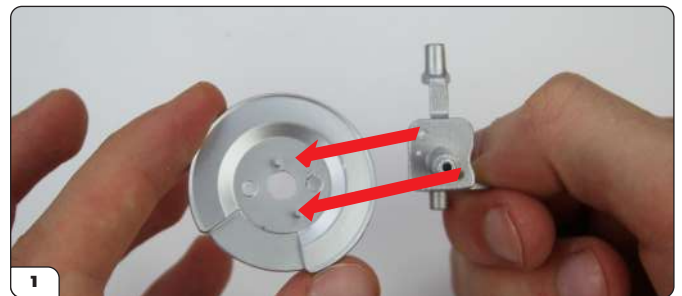
It is much easier to fit the tire over the rim if you soften it first. Fill a small bowl with hot water straight from a boiled kettle and soak the tire for 5 minutes. Using tweezers, remove the tire (it will be very hot), dry on a tea towel, and fit to the rim. Note: the tire will start to cool and harden again immediately, so have everything you need ready, and act quickly, but carefully!



STEP 2

FIT THE WHEEL HUB TO THE BRAKE DISC COVER

Align the two lugs on the Wheel Hub with the two holes on the Brake Disc Cover. Fit the two pieces together. Hold the assembly as shown in picture 3 and position the Brake Disc on top of the Brake Disc Cover. Holding the assembled parts together, turn over and fit the Brake Caliper into the notched location (picture 5). Secure the assembly together with a TYPE MD04 screw. Note: the Brake Caliper secures the Brake Disc, but it must rotate freely.



Stage 52: Left Front Wheel

STEP 3

FIT BRAKE DISC & CALIPER ASSEMBLY TO THE WHEEL

Align the brake disc assembly with the inside of the wheel rim. Note the shape of the hole which dictates the position of the Brake Disc. Rotate the assembly in the wheel so that the rectangular notch on the rim engages with the notch on the disc. Secure with an MD02 screw from the outside of the rim. Finish by aligning the Hubcap on the outside of the rim and push into place over the screw.



ADVICE FROM THE EXPERTS

Apply some oil to the screw hole to make it easier to drive the screw fully home. The wheel should not be loose, but should turn freely.



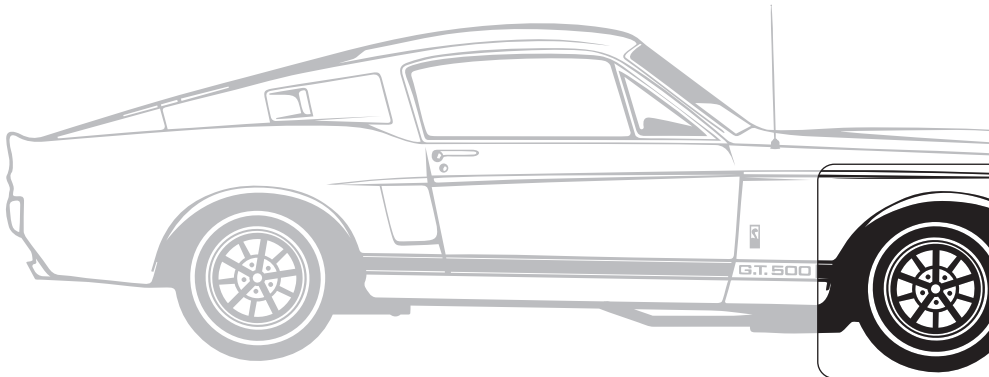
Stage 52: Left Front Wheel

Stage 52 complete!



Stage 53: Right Front Tire and Rim

You will now start building the right front wheel.



STAGE 53 PARTS LIST

Name	Quantity
Tire	1
Rim	1



Stage 53: Right Front Tire and Rim

STEP 1

FIT THE TIRE TO THE RIM

Soak the tire in a hot-water bath following the same procedure as for Stage 52. Assemble the tire onto the rim, again, following the same procedure. Once fitted correctly, leave the wheel to cool to regain its shape.

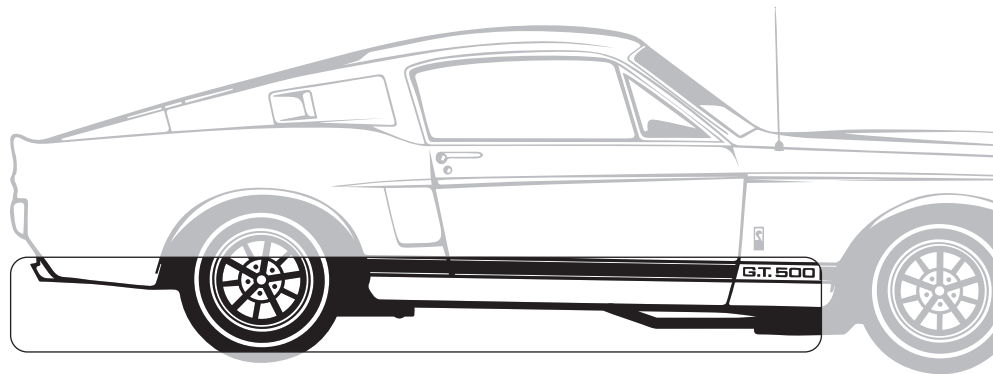


Stage 53 complete!



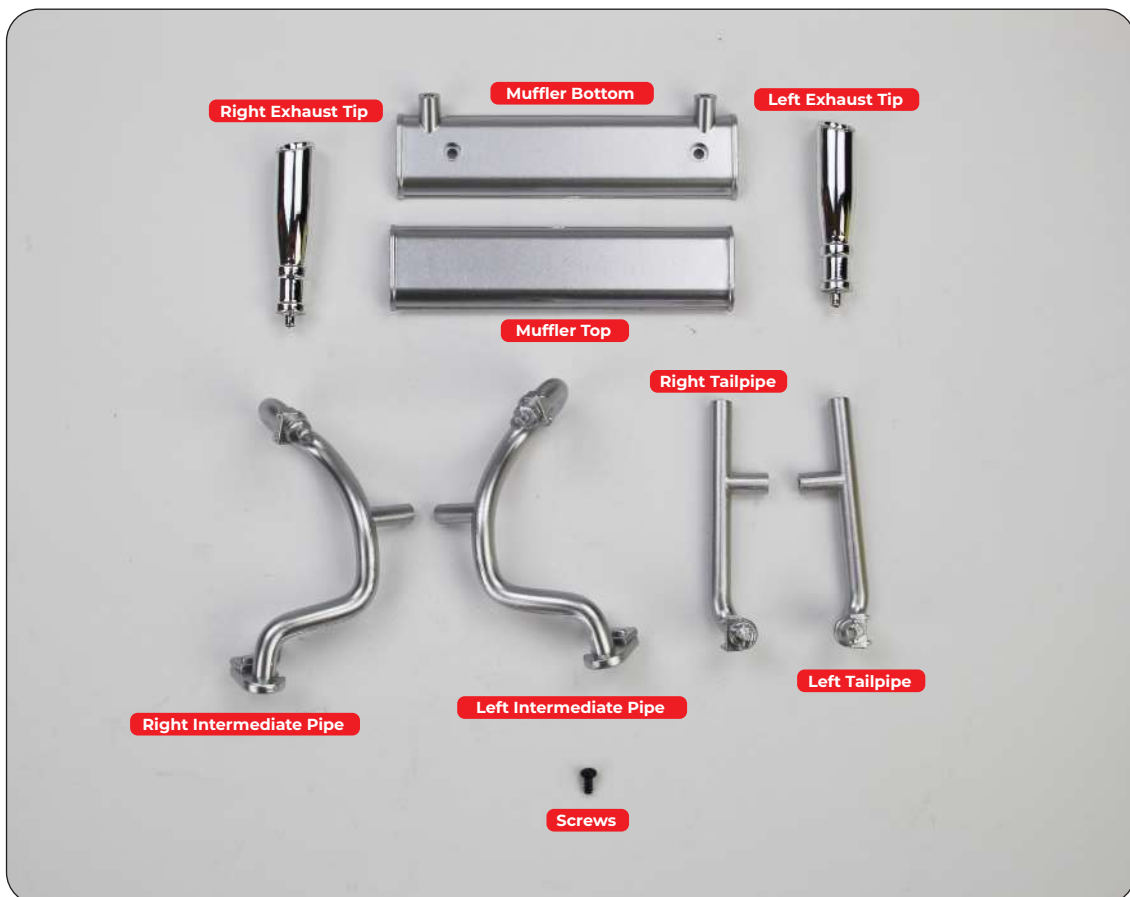
Stage 54: Muffler and Exhaust Pipes

You will now build the exhaust pipes.



STAGE 54 PARTS LIST

Name	Quantity
Muffler Top	1
Muffler Bottom	1
Left Intermediate Pipe	1
Right Intermediate Pipe	1
Left Tailpipe	1
Right Tailpipe	1
Exhaust tip	2
Screws TYPE MP01	3 [inc. 1 spare]



Stage 54: Muffler and Exhaust Pipes

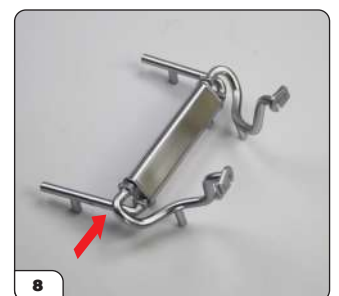
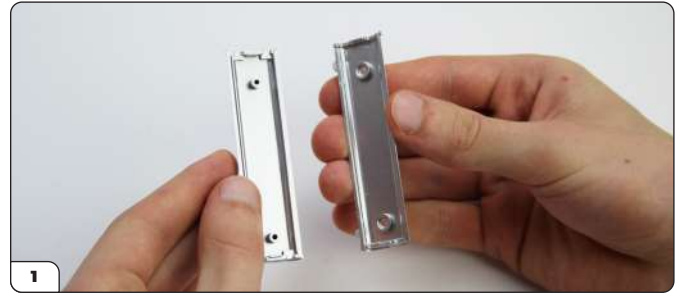
STEP 1

LOOSELY ASSEMBLE THE MUFFLER

Start assembling the Muffler by aligning the top and bottom sections and holding them together by loosely fixing an MP01 screw in the left-hand hole – do not tighten (picture 2). Screw just enough to hold the parts together. Check the notches look correct on the ends. Position the Intermediate Pipes on your worktable as shown in picture 3.

Gently part the two sections of the Muffler and fit the Left Intermediate Pipe into the rectangular notch (picture 4) shown in the inset picture. Take the Right Intermediate Pipe and fit it into the corresponding rectangular hole on the opposite end of the Muffler (picture 5). Next, insert the Right Tailpipe into the other notch at the same end, orienting it as shown (picture 6). Make sure the Pipes are correctly positioned and tighten the right MP01 screw in the Muffler to hold the two pipes in place on the right-hand side.

Carefully part the left end of the Muffler and insert the Left Tailpipe into the rectangular notch, orienting it as shown in picture 8. Press the Muffler parts together and tighten the left MP01 screw to hold everything together.



Stage 54: Muffler and Exhaust Pipes

STEP 2

ADD THE EXHAUST TIPS

Now add the Right Exhaust Tip to the end of the Right Tailpipe. The shape of the post and the hole determine the mounting position. Before securing the parts together, place a tiny drop of superglue to the post before securing the sections together. Fix the Left Exhaust Tip into the Left Tailpipe in the same way.



ADVICE FROM THE EXPERTS

Scrape the chrome plating off the post to make it easier to insert the exhaust tips. This will also give a stronger glued joint.



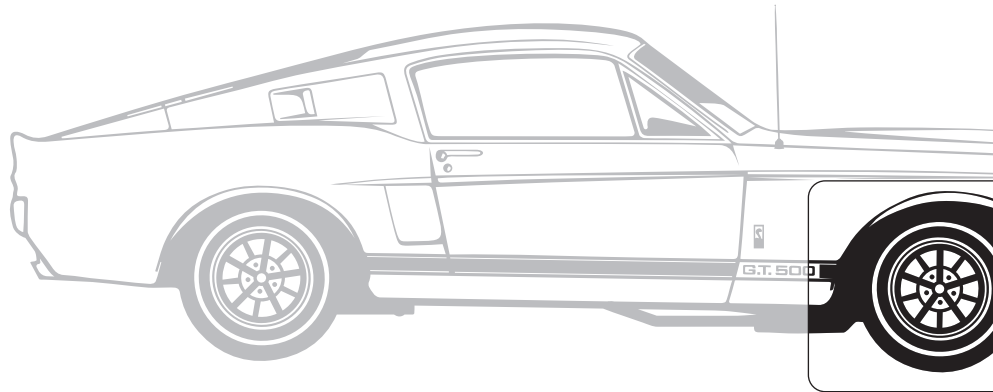
Stage 54: Muffler and Exhaust Pipes

Stage 54 complete!



Stage 55: Right Front Wheel Parts

You are now going to complete the right front wheel.



STAGE 55 PARTS LIST

Name	Quantity
Brake Disc	1
Wheel Hub	1
Brake Caliper	1
Hubcap	1
Brake Disc Cover	1
Screws TYPE MD02	2 [inc. 1 spare]
Screws TYPE MD04	2 [inc. 1 spare]

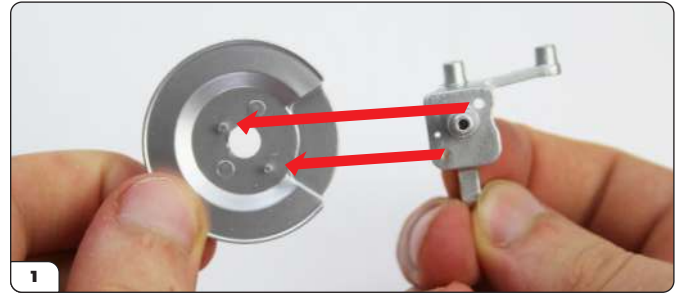


Stage 55: Right Front Wheel Parts

STEP 1

FIT THE WHEEL HUB TO THE BRAKE DISC COVER

Align the two lugs on the Wheel Hub with the two holes on the Brake Disc Cover. Fit the two pieces together. Hold the assembly as shown in picture 3 and position the Brake Disc on top of the Brake Disc Cover. Holding the assembled parts together, turn over and fit the Brake Caliper into the notched location. Secure the assembly together with a TYPE MD04 screw. Note: the Brake Caliper secures the Brake Disc, but it must rotate freely.



Stage 55: Right Front Wheel Parts

STEP 2

FIT THE BRAKE DISC & CALIPER ASSEMBLY TO THE WHEEL

Align the brake disc assembly with the inside of the wheel rim from Stage 53. Note the shape of the hole which dictates the position of the brake disc. Rotate the assembly in the wheel so that the rectangular notch on the rim engages with the notch on the disc. Secure with an MD02 screw from the outside of the rim. Finish by aligning the Hubcap on the outside of the rim and push into place over the screw.



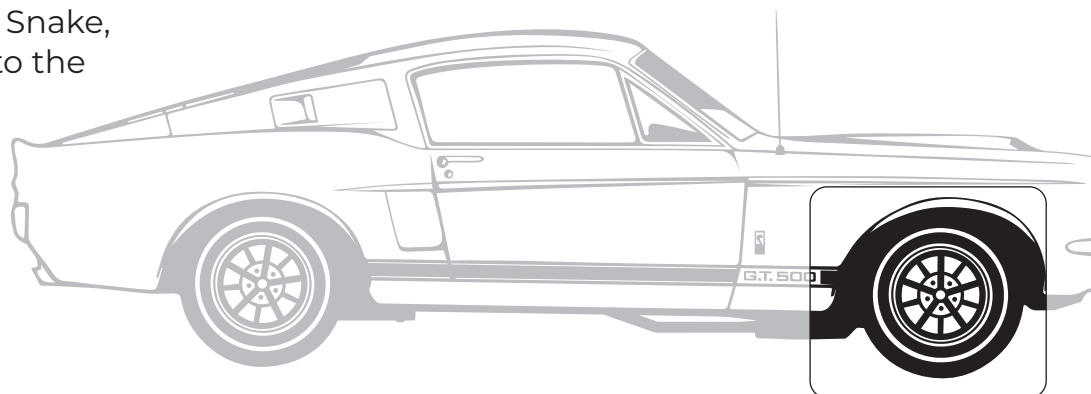
Stage 55: Right Front Wheel Parts

Stage 55 complete!



Attaching the Front Wheels

Now you have both front wheels for your Super Snake, you can attach them to the chassis using the Tie-Rod assembly from Stage 30.



PARTS LIST

Name	Quantity
Left front wheel assembly from stage 52	1
Right front wheel assembly from stage 55	1
Tie rod assembly from stage 30	1
Screws TYPE MD02 from stage 29	2
Screws TYPE MD02 from stage 31	2
Screws TYPE MD02 from stage 32	2



NOTE

if you no longer have your screws, please email customerservice@agoramodels.com or contact us via the Forum for replacements.

STEP 1

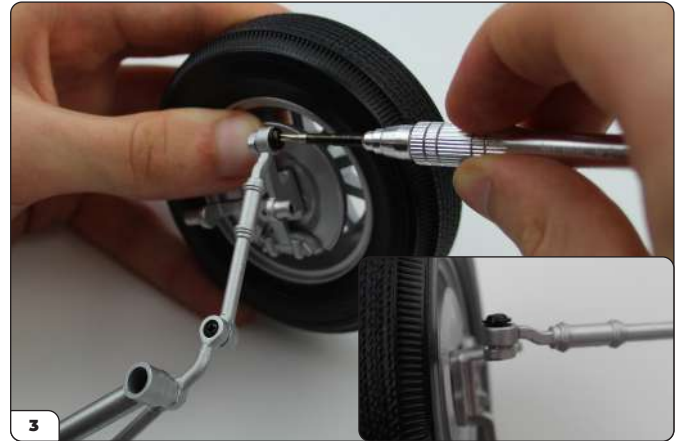
Take both front wheels and the tie rod assembly and position them on your work surface as shown.



Attaching the Front Wheels

STEP 1

Locate the ring at the end of the right tie rod and hook it over the lug on the right front wheel. Check you have it in the correct orientation, paying attention to the direction of curvature as shown in the inset image. Fix in place with a TYPE MD02 screw. Repeat on the left front wheel, orienting the left tie rod as shown, and hooking the ring at the end over the lug on the wheel. Secure in place with a TYPE MD02 screw.



This shows how your completed parts should look after assembly.



Attaching the Front Wheels

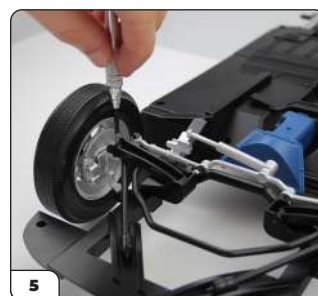
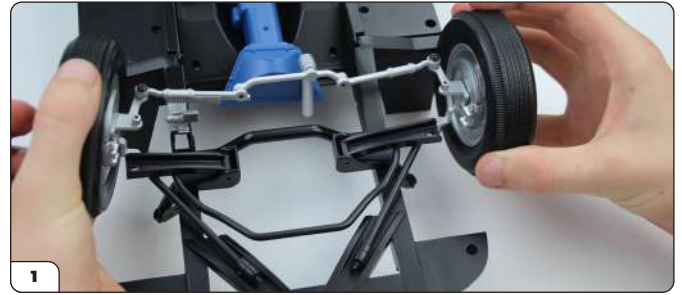
STEP 2

THE WHEELS AND TIE ROD ASSEMBLY CAN NOW BE SECURED TO THE CHASSIS.

Take your Super Snake chassis and lay it on the work surface as shown. It is upside down, with the front of the car facing towards you.

Hold the tie rod and wheels assembly, and fit the tie rod under the steering gear, as previously shown in stage 31, step 2. At the same time, fit the Pitman Arm on the steering gear, also shown in stage 31, step 2.

Hook the right lower suspension arm over the lug on the right wheel, and the right upper suspension arm over the lug on the wheel as shown. Fix with two TYPE MD02 screws. Repeat on the left side, fixing the left lower suspension arm and the left upper suspension arm to the left wheel.



Attaching the Front Wheels

This is how your completed assembly should now look!

