

1967

SHELBY GT500

SUPER SNAKE

1:8 SCALE



Pack 04 | Build Instructions

Your Shelby GT500 Super Snake is a finely detailed model replicating every aspect of the original car. From the paint colour to the smallest interior details, every piece is precisely reproduced.

In your fourth model pack, you will assemble:

STAGE 23: MIDDLE CHASSIS

STAGE 24: FRONT FLOOR PAN

STAGE 25: DRIVESHAFT

STAGE 26: GEARBOX AND CROSSMEMBER

STAGE 27: FRONT CHASSIS

STAGE 28: FRONT FENDER SPLASH GUARDS

STAGE 29: TIE ROD ASSEMBLY

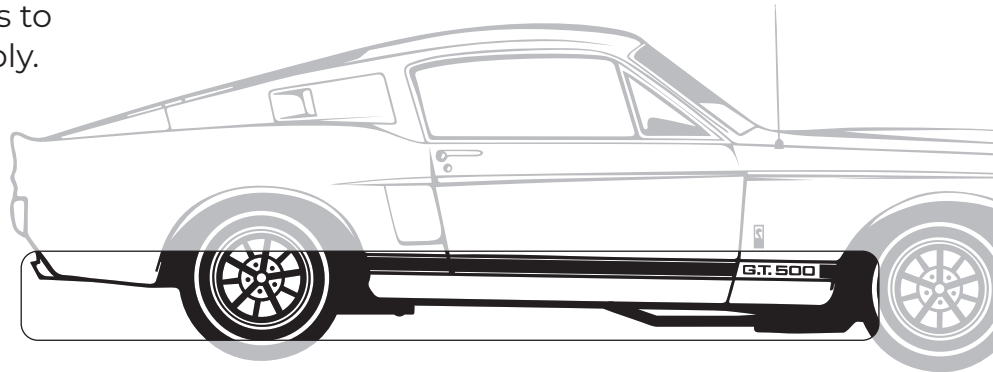
Tie Rods and Center Link

STAGE 30: STEERING ASSEMBLY

Steering Gear, Pitman Arm and
Suspension Arm Mounts

Stage 23: Middle Chassis

Your fourth Pack starts with connecting the Middle Chassis to the Rear Main Chassis Assembly.



STAGE 23 PARTS LIST

Name	Quantity
Middle Chassis	1
Screws TYPE MD06	5 [inc. 1 spare]



ADVICE FROM THE EXPERTS

Spare screws are included with each part.

Please make sure you don't mix up the screws. They look quite similar, but the threads do vary slightly. Using the wrong screws may damage the parts.

When securing parts together using multiple screws, fit each screw loosely to ensure all the parts are correctly aligned before gently tightening them firmly, but not overtight, in the order in which you placed them.

The screwdriver can be magnetised by stroking it with a magnet (fridge magnet, etc.) enabling it to hold the screws and make assembly easier.

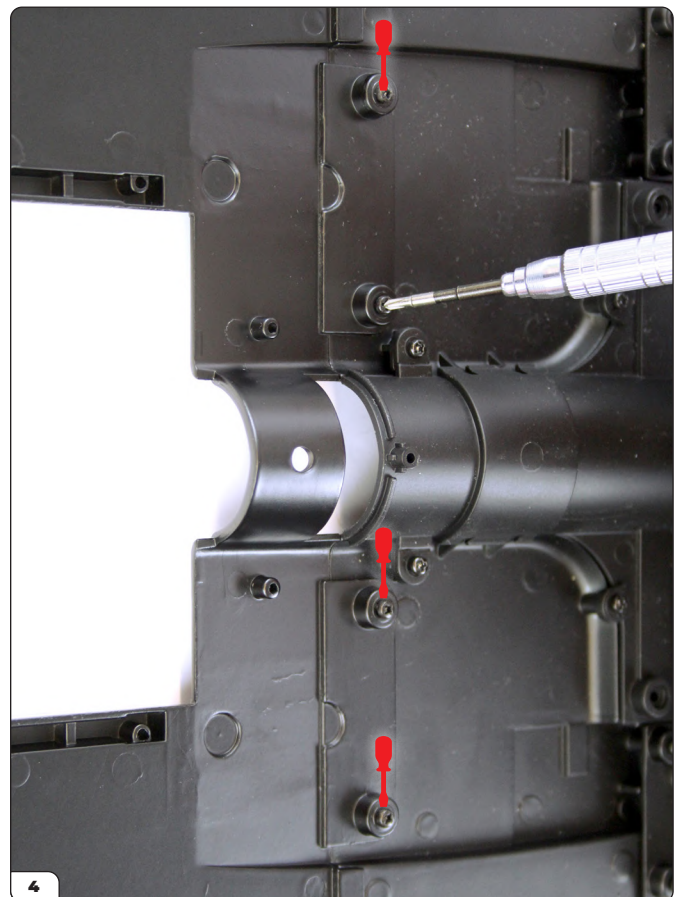
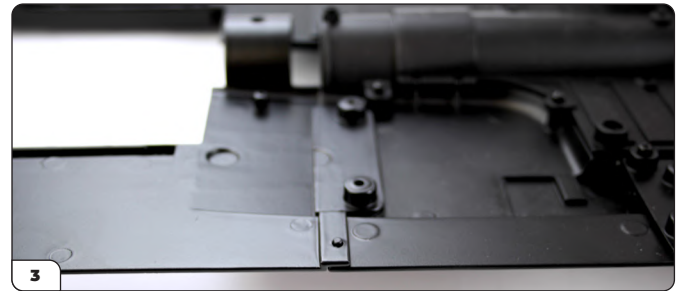
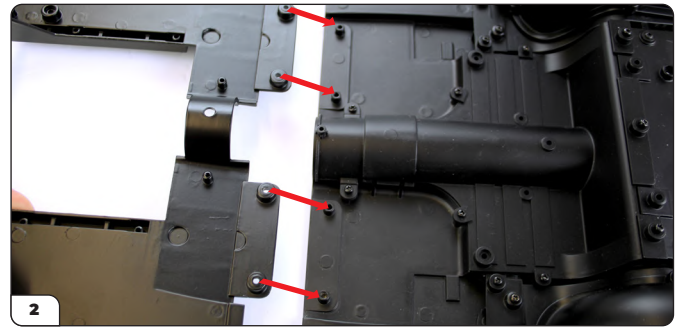
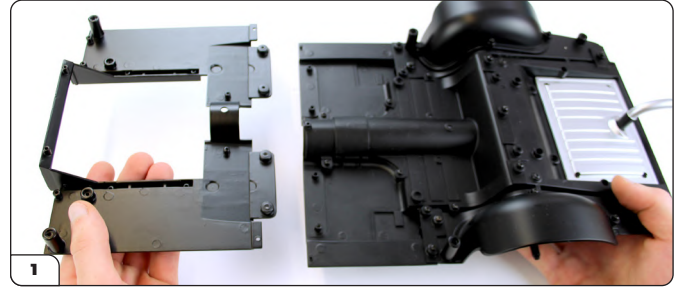
If a screw is tight going into a metal part, do not force it as you may shear the head off. Remove it and put a tiny smear of Vaseline, soap or light oil on the thread. That will lubricate it and make it easier to drive home.

Stage 23: Middle Chassis

STEP 1

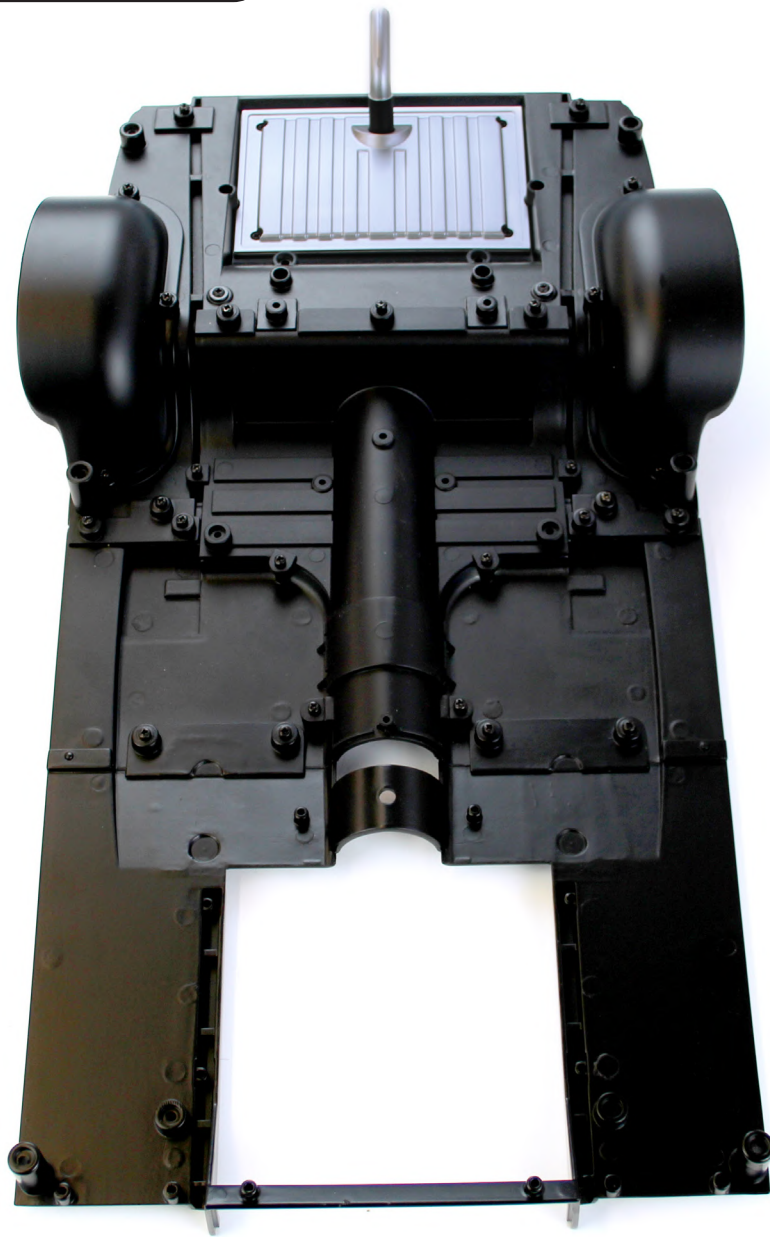
ATTACH THE MIDDLE CHASSIS TO THE REAR MAIN CHASSIS ASSEMBLY

Take the Rear Chassis Assembly that you assembled in Stage 22. Align the four screw holes at the rear end of the Middle Chassis with the corresponding lugs on the Rear Chassis Assembly. Press the two together, paying particular attention to ensure that the parts are sitting flush. Fix the two parts together using 4 x TYPE MD06 screws.



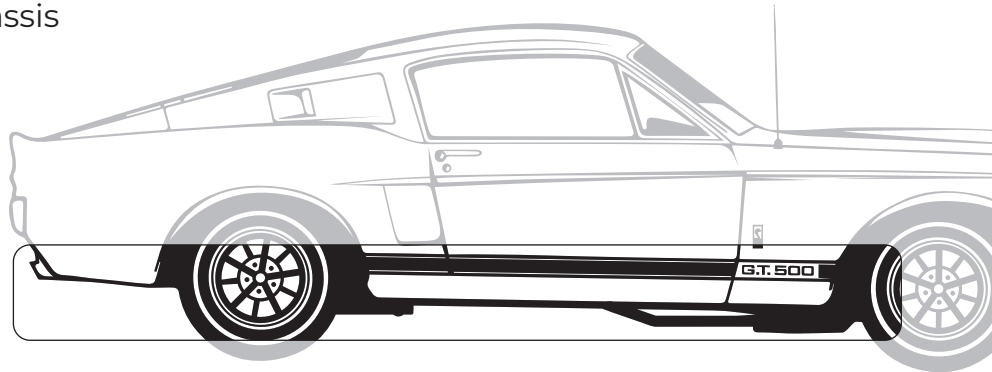
Stage 23: Middle Chassis

Stage 23 complete!



Stage 24: Front Floor Pan

Now you are going to connect the Front Floor Pan to the Chassis Assembly.



STAGE 24 PARTS LIST

Name	Quantity
Front Floor Pan	1
Screws TYPE MD02	5 (inc. 1 spare)
Screws TYPE MP03	2 (inc. 1 spare)
Screws TYPE MD06	5 (inc. 1 spare)



Stage 24: Front Floor Pan



PLEASE NOTE

Only loosely connect the Floor Pan for now – do not tighten the screws. The Floor Pan will have to be removed later to enable the exhaust pipes to be attached.

STEP 1

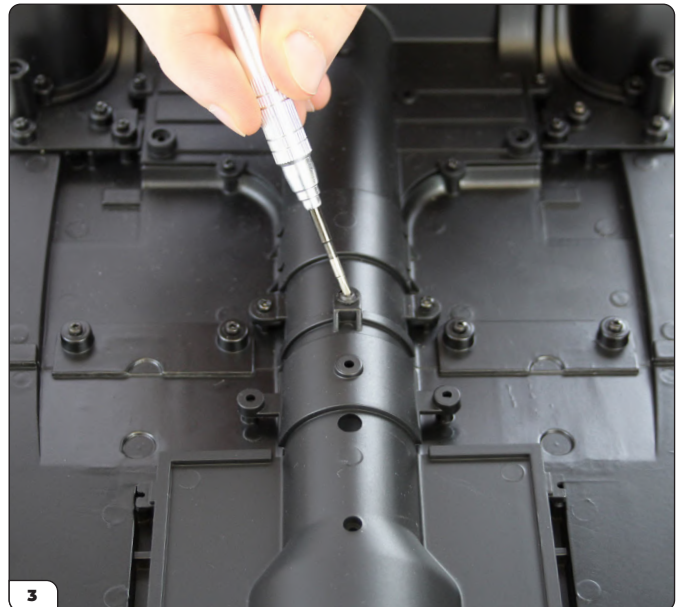
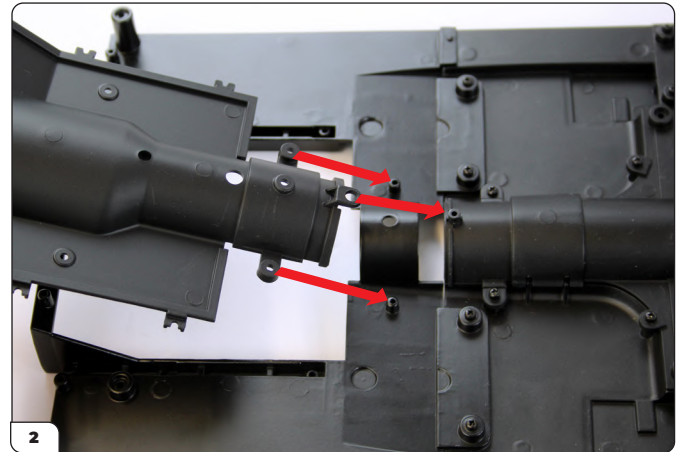
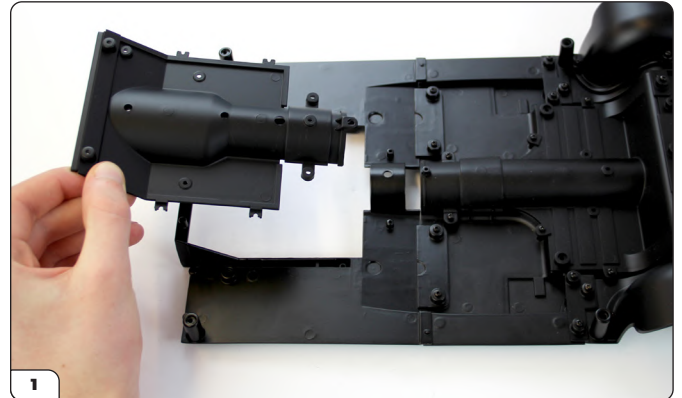
ATTACH THE FRONT FLOOR PAN TO THE CHASSIS ASSEMBLY

Take the Front Floor Pan and position it above the Chassis Assembly that you assembled in Stage 23. Align the three eyelets on the rear of the Front Floor Pan with the three lugs on the Chassis Assembly. Then align the screw holes in the front of the chassis, see picture 6. Fix one MP03 screw in the largest anchor hole as indicated in picture 3. Do not tighten this screw fully – it will need to be removed at a later stage.



EXPERT TIP

Fully tighten all the screws to make sure that the threads are fully cut, then slack the screws off a turn. This will make removal and reassembly easier.

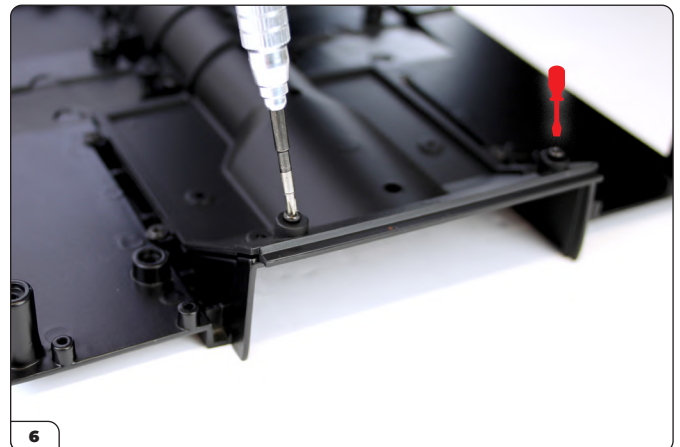
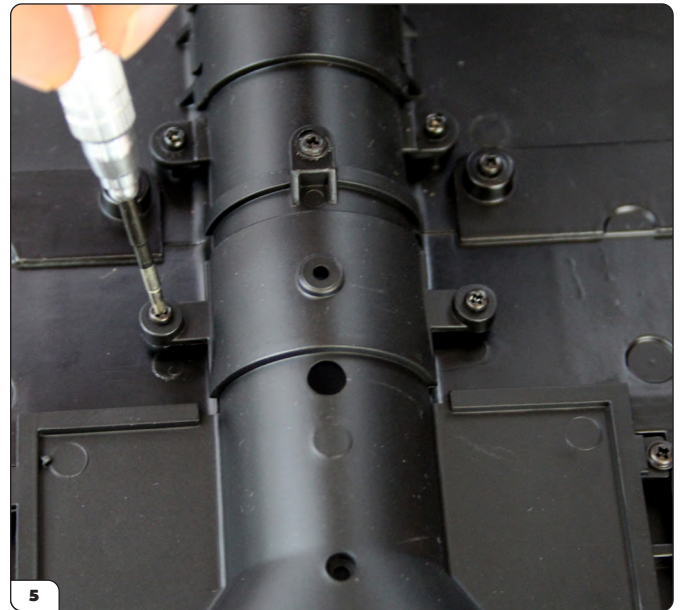
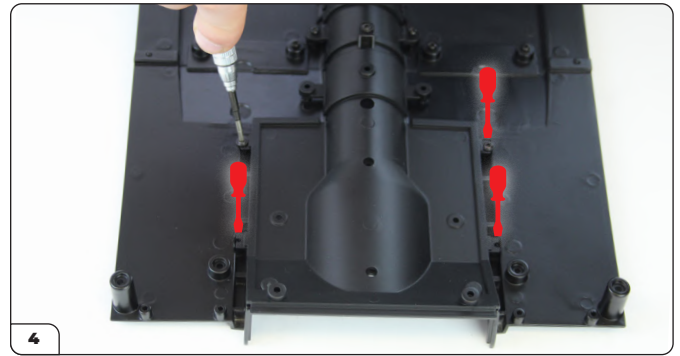


Stage 24: Front Floor Pan

FINISH SECURING THE FLOOR PAN TO THE CHASSIS

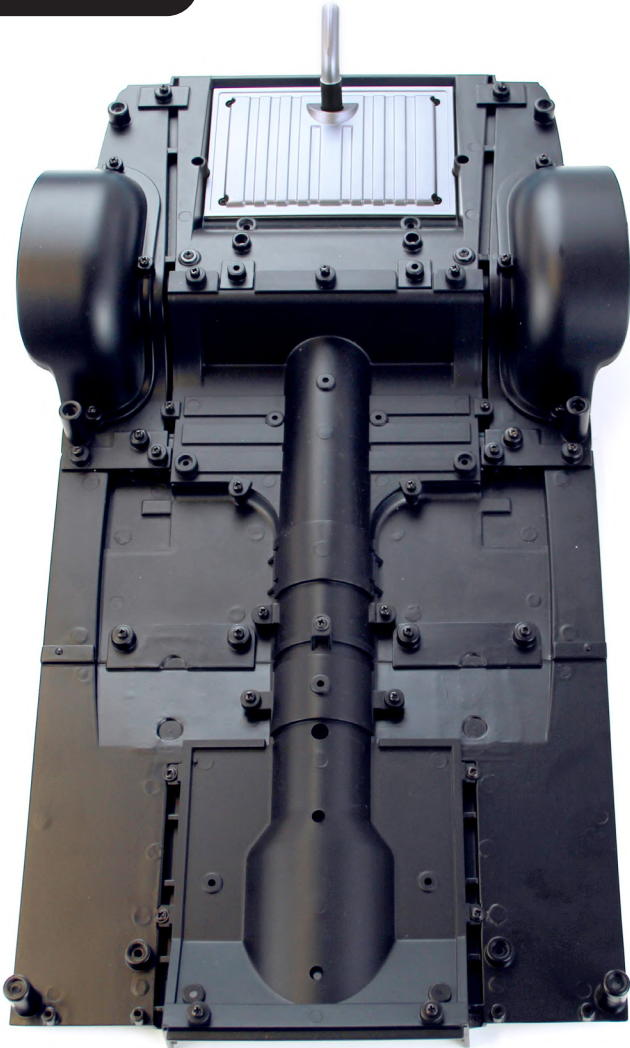
Make sure the tabs are flush with the chassis, then place 4 x TYPE MD02 screws in the anchor points indicated in picture 4. Tighten the screws, but be careful not to overtighten. Then place 2 x TYPE MD06 screws in the anchor points located on each side of the transmission tunnel, as shown in picture 5.

Finish by fixing 2 x TYPE MD06 screws on the raised, sloping section of the assembly, as shown in picture 6.



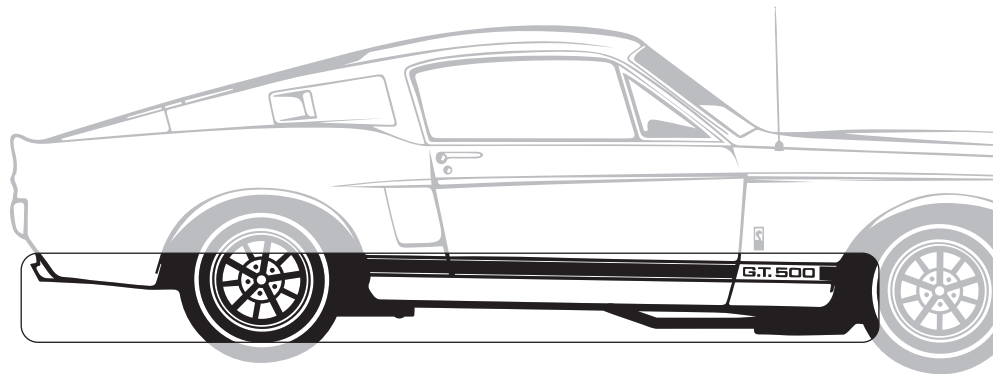
Stage 24: Front Floor Pan

Stage 24 complete!



Stage 25: Driveshaft

In this stage you will assemble the Driveshaft and attach it to the Chassis Assembly.



STAGE 25 PARTS LIST

Name	Quantity
Driveshaft upper half	1
Driveshaft lower half	1
Screws TYPE MP01	3 (inc. 1 spare)
Screws TYPE MP02	4 (inc. 1 spare)

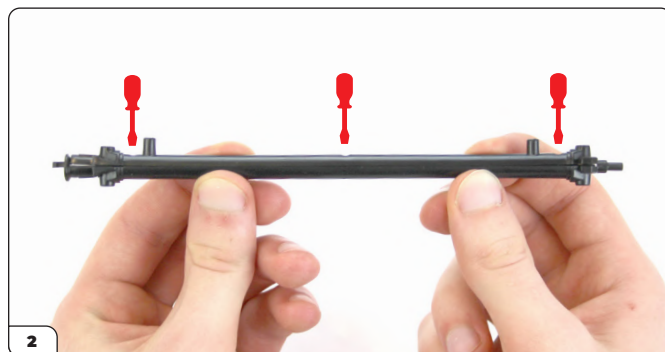


Stage 25: Driveshaft

STEP 1

ASSEMBLE THE DRIVESHAFT

Take the two halves of the driveshaft and, with the flat side of each facing one another, press together so that they're flush. Fix together using 3 x MP02 screws.



Stage 25: Driveshaft

STEP 2

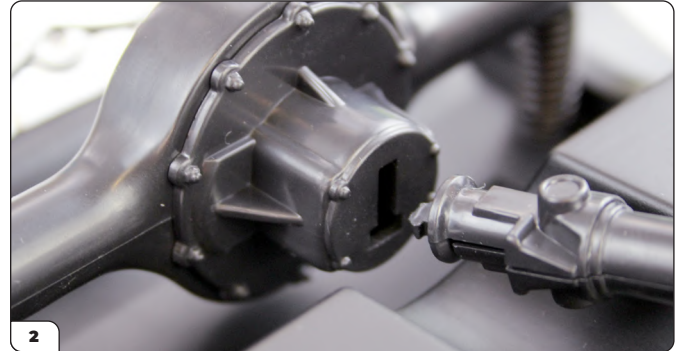
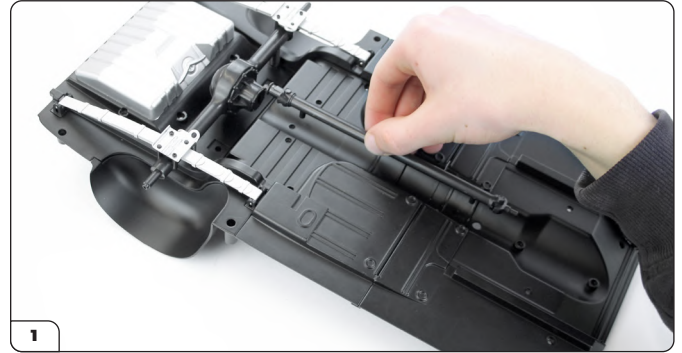
ATTACH THE DRIVESHAFT TO THE CHASSIS

Take the Chassis Assembly. Insert the T-shaped end of the Driveshaft into the differential housing whilst also ensuring the lugs on the upper half of the Driveshaft fit into the two corresponding holes in the Chassis Assembly. Holding the Driveshaft carefully in place, turn the chassis over and secure the Driveshaft in position using 2 x MP01 screws.

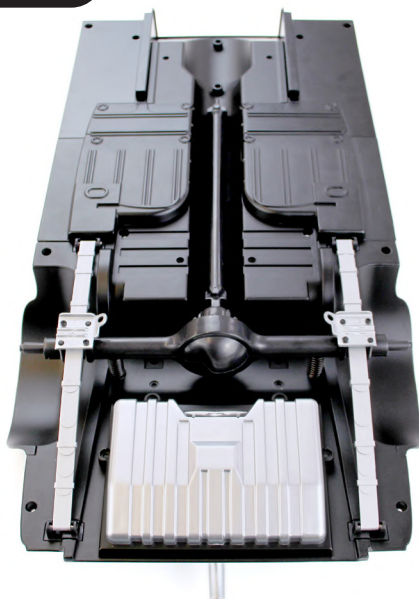


EXPERT TIP

Be careful not to break the fuel filler pipe while the model is upside down.

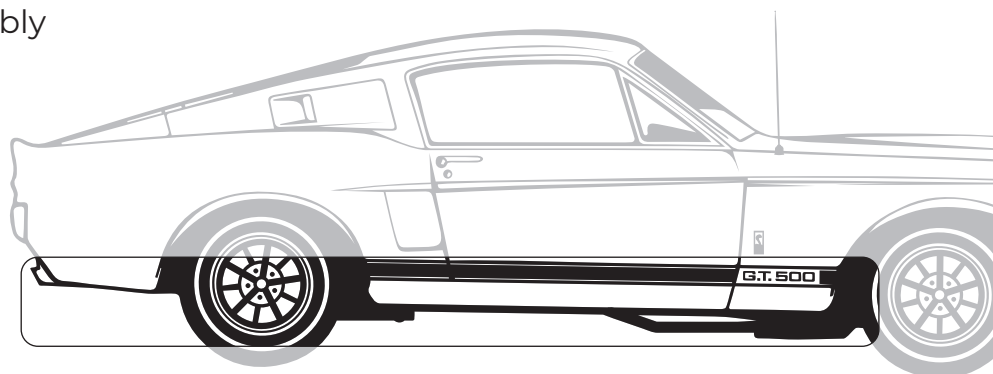


Stage 25 complete!



Stage 26: Gearbox and Crossmember

Now you are going to connect the Gearbox to the Chassis Assembly



STAGE 26 PARTS LIST

Name	Quantity
Gearbox	1
Gearbox Crossmember	1
Screws TYPE MP01	(5 inc. 1 spare)



Stage 26: Gearbox and Crossmember

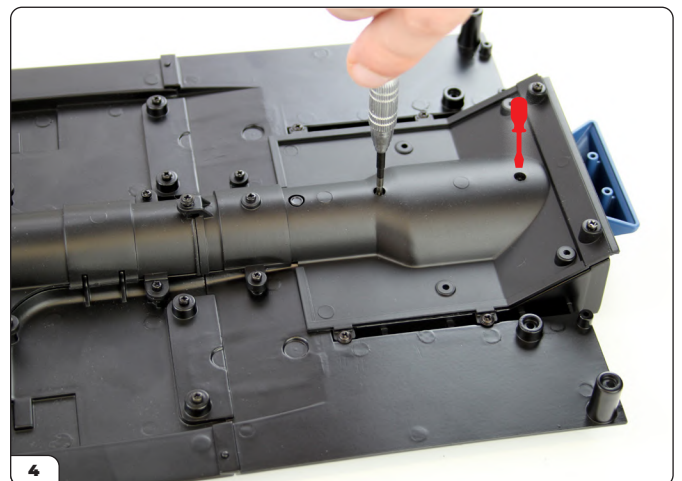
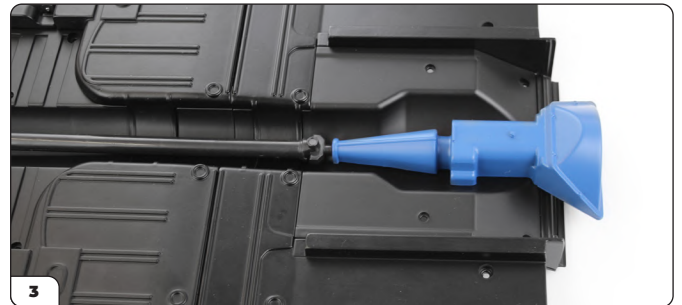
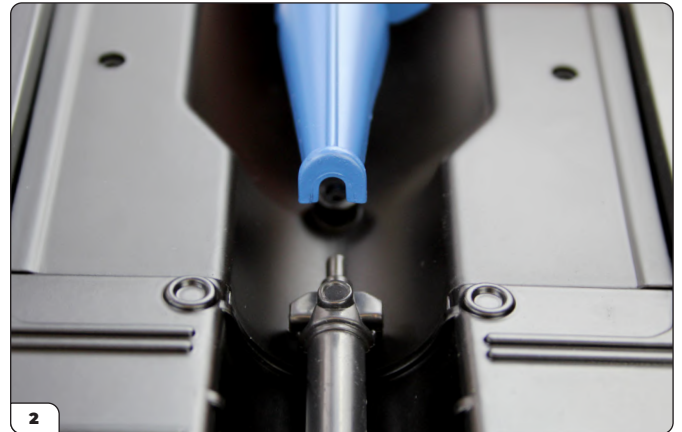
STEP 1

FIT THE GEARBOX TO THE CHASSIS ASSEMBLY

On the upper side of the Gearbox, you'll find two mounting lugs which correspond to the two holes in the Chassis Assembly.

The Gearbox tapers towards one end – the thinner end has a groove into which the free end of the Driveshaft will fit. Once correctly aligned, push the gearbox into place.

Holding the Gearbox in one hand, turn the Chassis Assembly over and secure it in place from the other side, using 2 x MP01 screws in the corresponding holes.



Stage 26: Gearbox and Crossmember

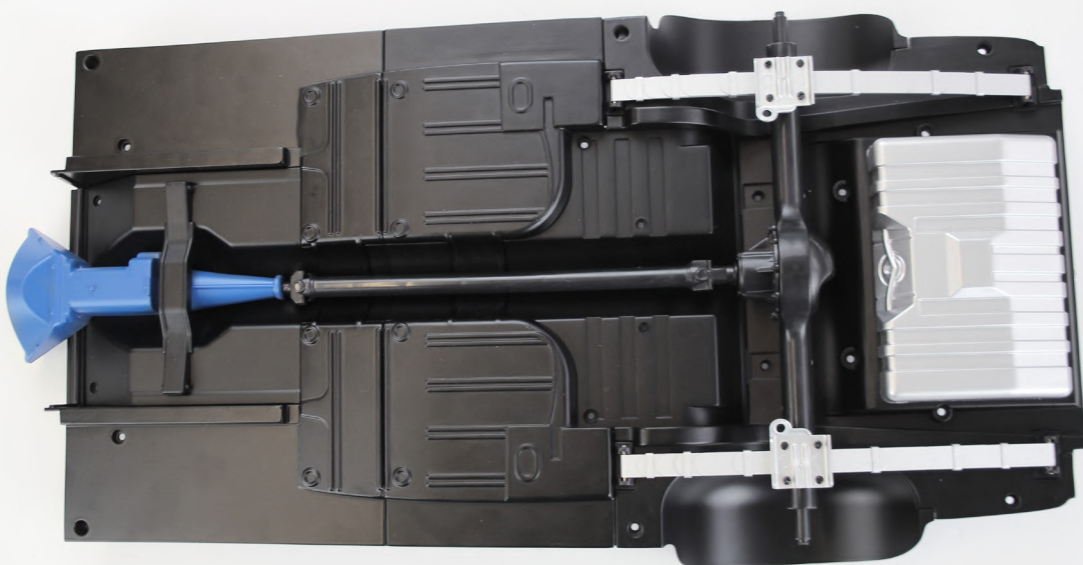
STEP 2

ATTACH THE CROSSMEMBER

With the Gearbox now in place, turn the Chassis Assembly back over so you are working on the underside of the Chassis. Place the mounting lugs of the Crossmember into the holes on the Chassis Assembly. Holding the Crossmember in position, again, carefully turn the chassis over and secure in place from the other side using 2 x MP01 screws.

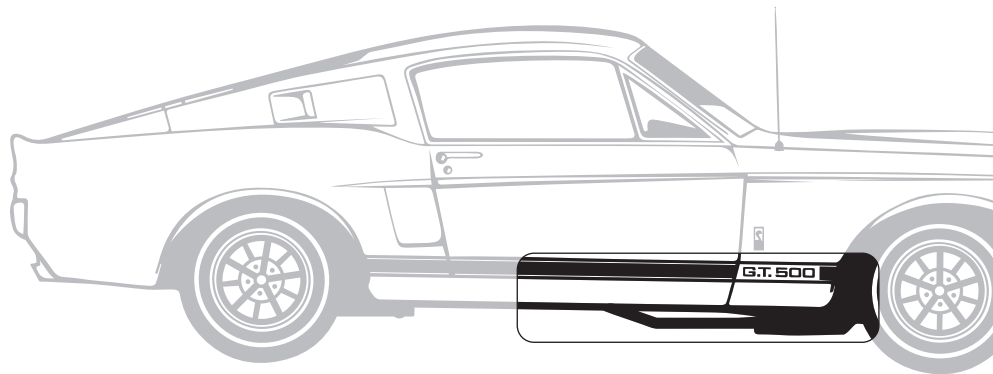


Stage 26 complete!



Stage 27: Front Chassis

In this stage, you will connect the Front Chassis to the Chassis Assembly



STAGE 27 PARTS LIST

Name	Quantity
Front Chassis	1
Screws TYPE MD06	5 (inc. 1 spare)



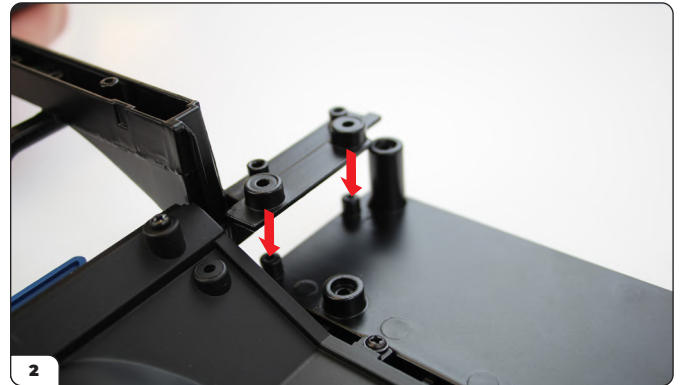
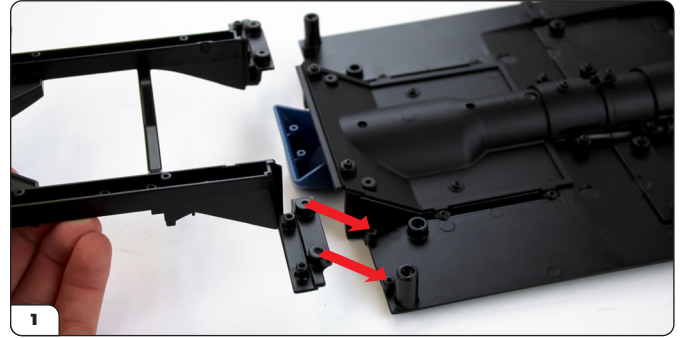
Stage 27: Front Chassis

STEP 1

CONNECT THE FRONT CHASSIS TO THE CHASSIS ASSEMBLY

Position the Front Chassis over the Chassis Assembly as shown, ensuring that the four, rearmost raised lugs on the Front Chassis correspond the four frontmost mounting lugs on the Chassis Assembly.

Once in position, press the Front Chassis onto the Chassis Assembly, making sure it is flush, and secure in place using 4 x MD06 screws.



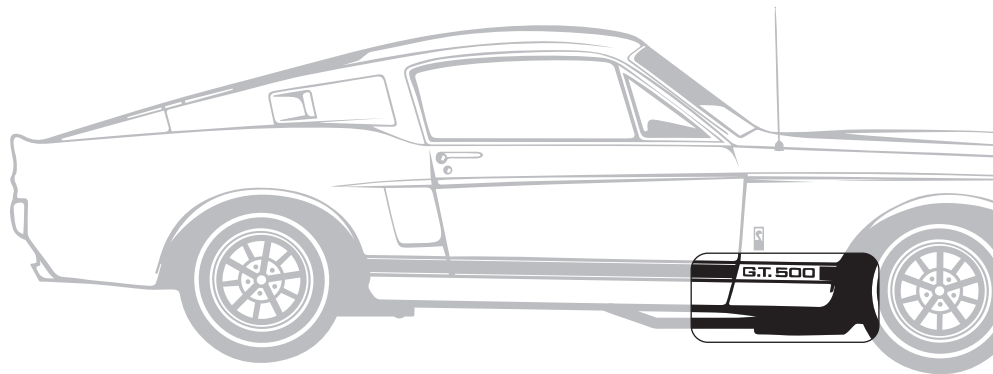
Stage 27: Front Chassis

Stage 27 complete!



Stage 28: Front Fender Splash Guards

You are now going to connect the Front Fender Splash Guards to the Chassis Assembly.



STAGE 28 PARTS LIST

Name	Quantity
Right Front Fender Splash Guard	1
Left Front Fender Splash Guard	1
Screws TYPE MD06	5 (inc. 1 spare)

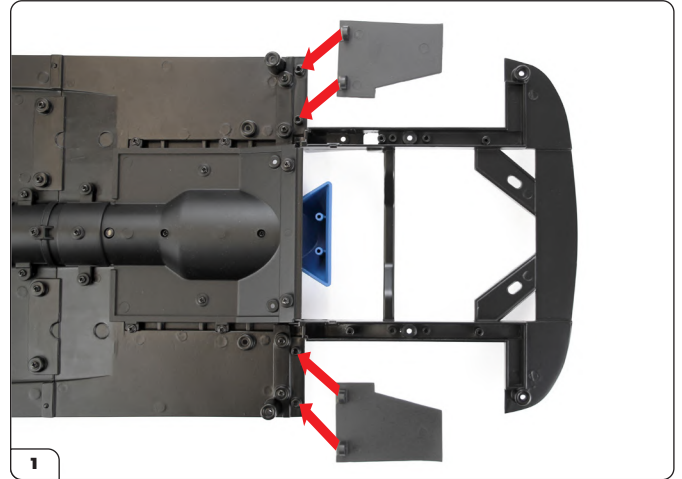


Stage 28: Front Fender Splash Guards

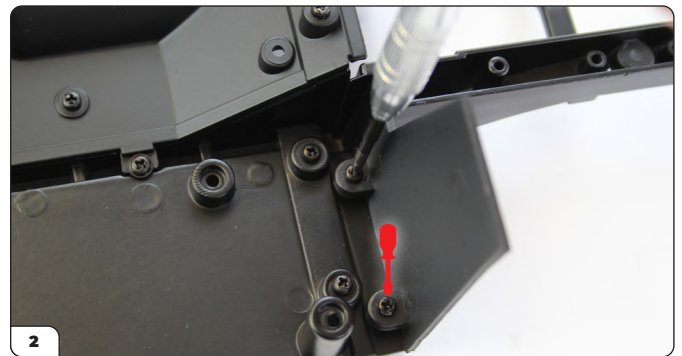
STEP 1

CONNECT THE LEFT AND RIGHT FRONT FENDER SPLASH GUARDS TO THE CHASSIS ASSEMBLY

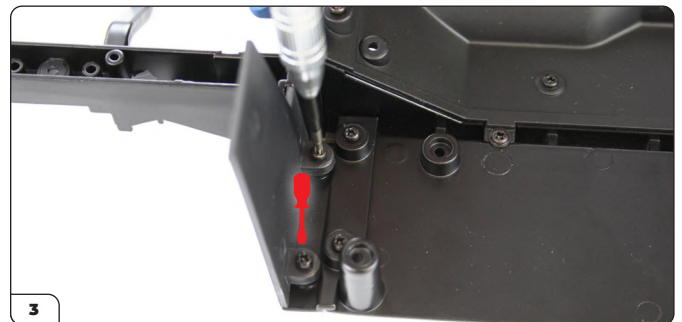
Position the two Front Fender Splash Guards next to the Chassis Assembly, paying particular attention to their orientation. The two eyelets on the back of each Splash Guard correspond with two mounting lugs on either side of the Chassis Assembly.



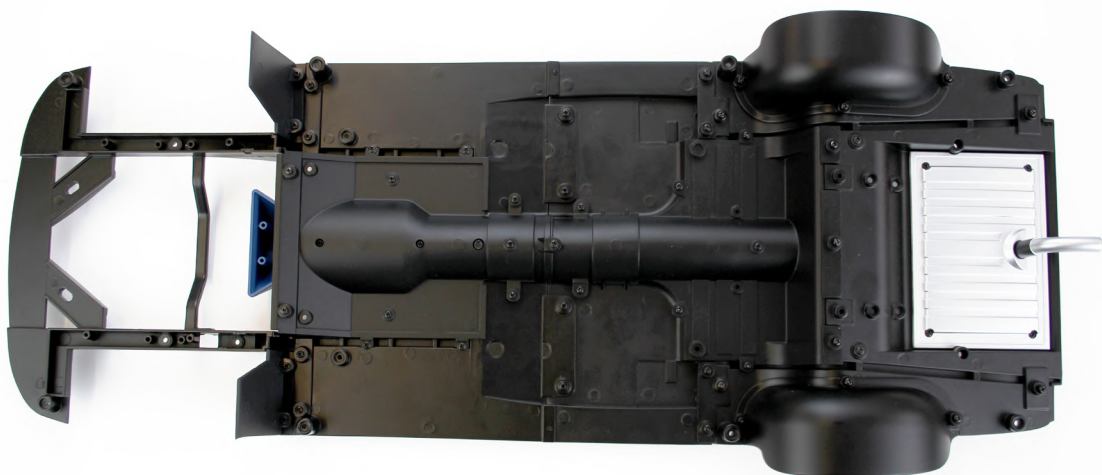
Making sure that the Right Front Fender Splash Guard is sitting flush in position, secure in place using 2 x MD06 screws.



Repeat the above step for the Left Front Fender Splash Guard.

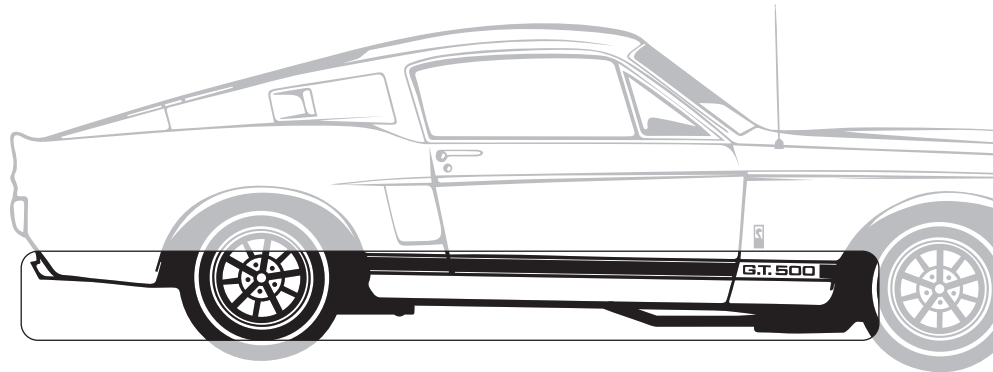


Stage 28 complete!



Stage 29: Steering Rods

Now you are going to connect the Steering Rods together to form the Tie Rod Assembly.



STAGE 29 PARTS LIST

Name	Quantity
Left Tie Rod	1
Right Tie Rod	1
Center Link	1
Screws TYPE MD06	3 (inc. 1 spare)
Screws TYPE MD02	3 (inc. 1 spare)

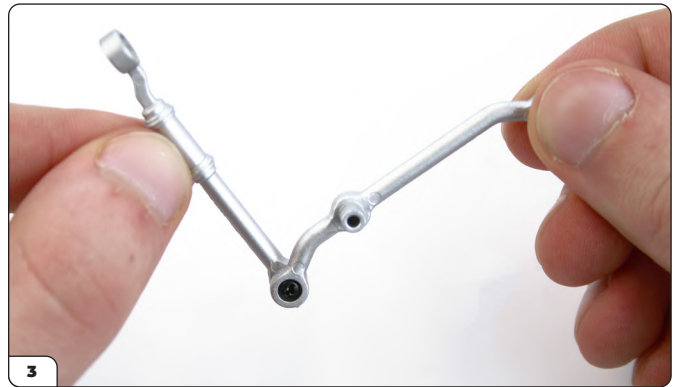


Stage 29: Steering Rods

STEP 1

CONNECT THE STEERING RODS TOGETHER

Position the Right Tie Rod and Center Link as shown in the picture. Pay particular attention the end of the Right Tie Rod – it curves in a certain way and it must be positioned in this orientation only. Once correctly oriented, position the eyelet at the end of the Center Link over the eyelet at the end of the Right Tie Rod and secure together with an MD06 screw. Tighten the screw until you feel resistance – do not overtighten! Check that the parts can move freely (if they don't, loosen the screw a little), which is necessary for the steering to work correctly later.



Take the Right Tie Rod and Center Link assembly. Locate the free eyelet at the end of the Center Link and align it with the eyelet on the end of the Left Tie Rod, as orientated in the picture. Connect the two parts with another MD06 screw, again only tightening so much that the parts are able to move freely.

Keep this assembly and the extra MD02 screws safe for now, they will be connected to the main assembly in a later stage.



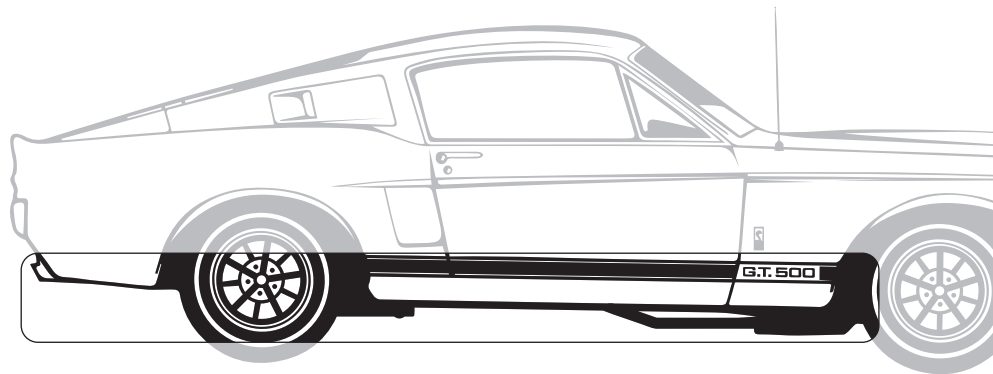
Stage 29: Steering Rods

Stage 29 complete!



Stage 30: Steering and Suspension Components

Now you are going to assemble parts connected to the steering and suspension.



STAGE 30 PARTS LIST

Name	Quantity
Suspension Arm Mounts	2
Steering Gear	1
Pitman Arm	1
Screws TYPE MD06	3 (inc. 1 spare)
Screws TYPE MD02	2 (inc. 1 spare)
Screws TYPE MP01	2 (inc. 1 spare)

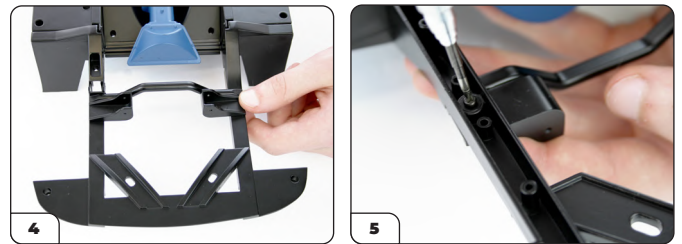
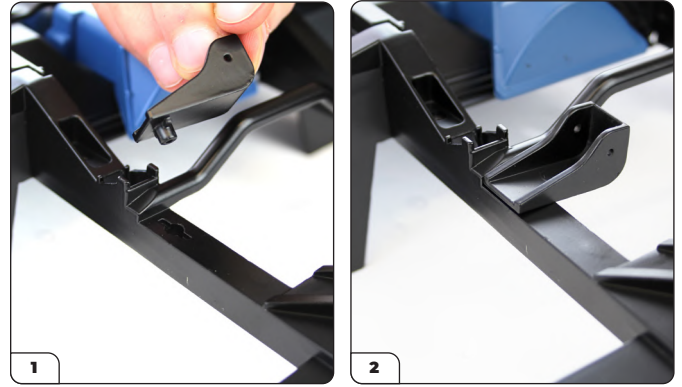


Stage 30: Steering and Suspension Components

STEP 1

ATTACH THE SUSPENSION ARM MOUNTS

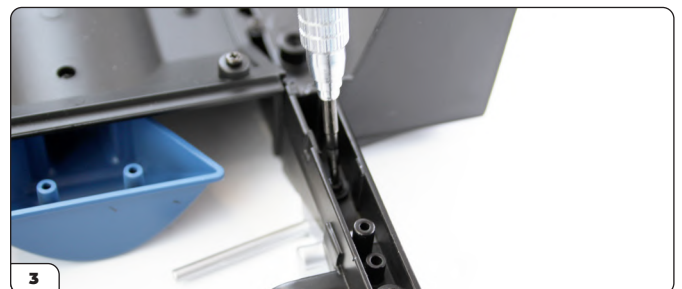
Place the Chassis Assembly upside down on your worktable, locate the two openings on the side spars on the front of the Front Chassis, as shown in the picture. The two Suspension Arm Mounts are identical, they just need to be orientated so that main bulk of the mount is kept within the Chassis. Using the lug found on the face of the mount, place this in the opening in the Front Chassis. Carefully turn the Chassis Assembly over and fix in place with an MD06 screw. Once in place, repeat the process with the other mount.



STEP 2

CONNECT THE STEERING GEAR TO THE FRONT CHASSIS ASSEMBLY

The Steering Gear has a lug which corresponds to a hole on the left-hand beam of the Front Chassis. It only has one orientation. Push the Steering Gear into the recess. Carefully turn the Chassis Assembly over and secure the Steering Gear from the other side using an MP01 screw – the rod should be pointing inwards.



Stage 30: Steering and Suspension Components

STEP 3

Take the Tie Rod Assembly from the previous stage. Locate the lug on the Center Link, and place the narrow end of the opening on the Pitman Arm on this lug. Secure it in place with an MD02 screw, tightening only so much that the arm can still move freely.



Stage 30 complete!

