
1967 **SHELBY GT500**

SUPER SNAKE

1:8 SCALE



Pack 02 | Build Instructions

Your Shelby GT500 Super Snake is a finely detailed model replicating every aspect of the original car. From the paint colour to the smallest interior details, every piece is precisely reproduced.

In your second model pack, you will assemble:

STAGE 07: RIGHT DOOR ASSEMBLY

Right Door and Handle

STAGE 08: RIGHT WINDOW ASSEMBLY

Right Window and Door Hinge

STAGE 09: RIGHT DOOR TRIM

Right Door Trim and Fittings

STAGE 10: PASSENGER'S SEAT BACKREST

STAGE 11: PASSENGER'S SEAT

STAGE 12: REAR CHASSIS

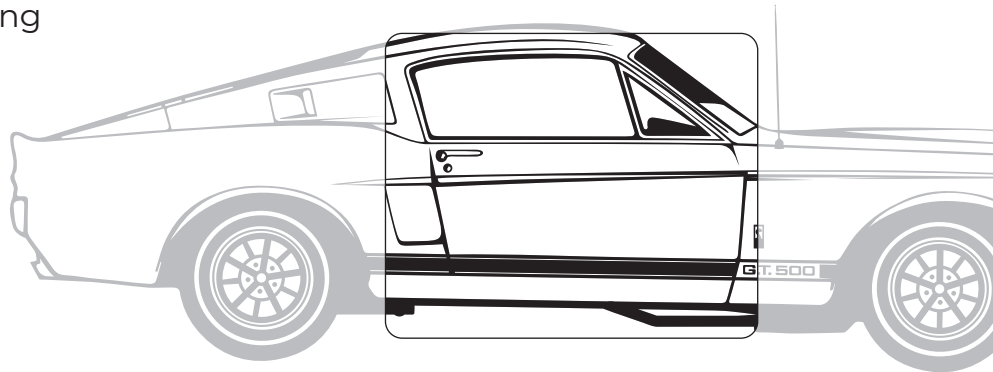
STAGE 13: FUEL TANK BOTTOM

STAGE 14: FUEL TANK TOP

Fuel Tank Top and Filling Hose

Stage 07: Right Door Assembly

Your second pack of the build starts with Stage 07: Assembling the Right Door.



STAGE 07 PARTS LIST

Name	Quantity
Right Door	1
Door Handle	1
Screws TYPE MP02	2 [inc. 1 spare]



ADVICE FROM THE EXPERTS

Spare screws are included with each part.

Please make sure you don't mix up the screws. They look quite similar, but the threads do vary slightly. Using the wrong screws may damage the parts.

When securing parts together using multiple screws, fit each screw loosely to ensure all the parts are correctly aligned before gently tightening them firmly, but not overtight, in the order in which you placed them.

The screwdriver can be magnetised by stroking it with a magnet (fridge magnet, etc.) enabling it to hold the screws and make assembly easier.

If a screw is tight going into a metal part, do not force it as you may shear the head off. Remove it and put a tiny smear of Vaseline, soap or light oil on the thread. That will lubricate it and make it easier to drive home.

Stage 07: Right Door Assembly

STEP 1

JOIN THE RIGHT DOOR HANDLE TO THE RIGHT DOOR

Take the Right Door and from the outside, push the Door Handle through the holes making sure that the lugs fit into the corresponding size holes in the door. Use an MP02 screw to secure the handle in place.

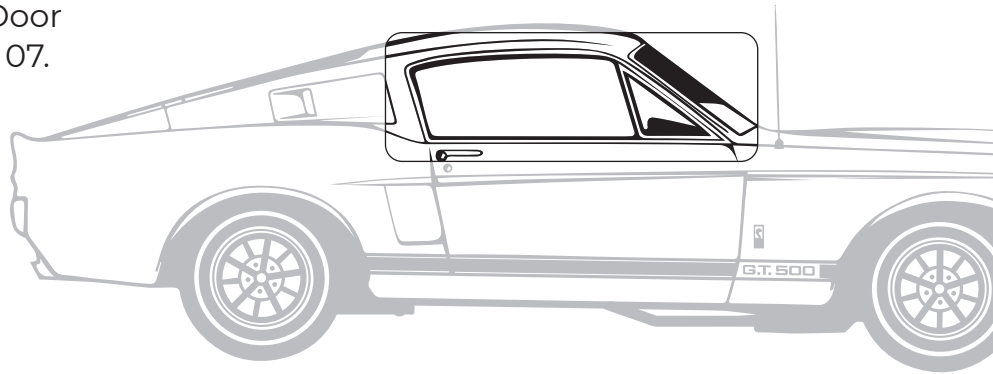


Stage 07 complete!



Stage 08: Right Window Assembly

You will now attach the Right Window and Door Hinge to the Right Door Assembly completed in Stage 07.



STAGE 08 PARTS LIST

Name	Quantity
Right Window	1
Door Hinge	1
Hinge Bracket	1
Screw TYPE MD06	1 [inc. 1 spare]
Screw TYPE MD05	4 [inc. 1 spare]



ADVICE FROM THE EXPERTS

The quarter light clasp (shown here) is very fragile, so be careful not to break it off when moving the Right Window. In the event that this does happen, it can easily be glued back in place!

Right Window



Screws



Hinge Bracket



Door Hinge



Stage 08: Right Window Assembly

STEP 1

ADD THE RIGHT WINDOW TO THE RIGHT DOOR ASSEMBLY

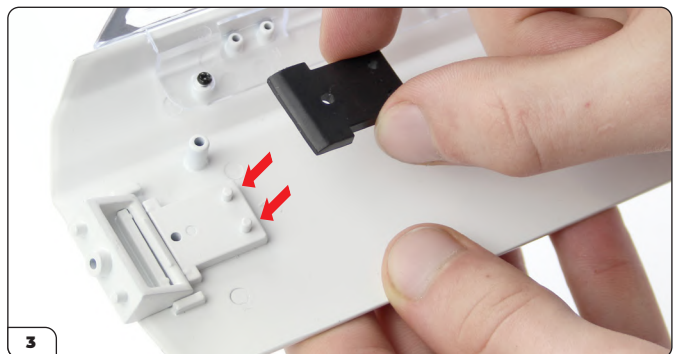
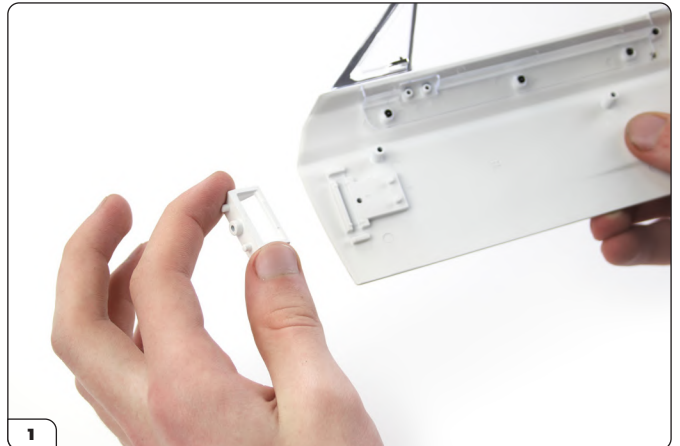
Fit the Right Window to the combined Right Door Assembly from Stage 07. Line up the 3 mounting lugs on the inside of the Door Assembly with the 3 holes on the bottom edge of the Right Window. Secure in place using 3 x TYPE MD05 screws.



STEP 2

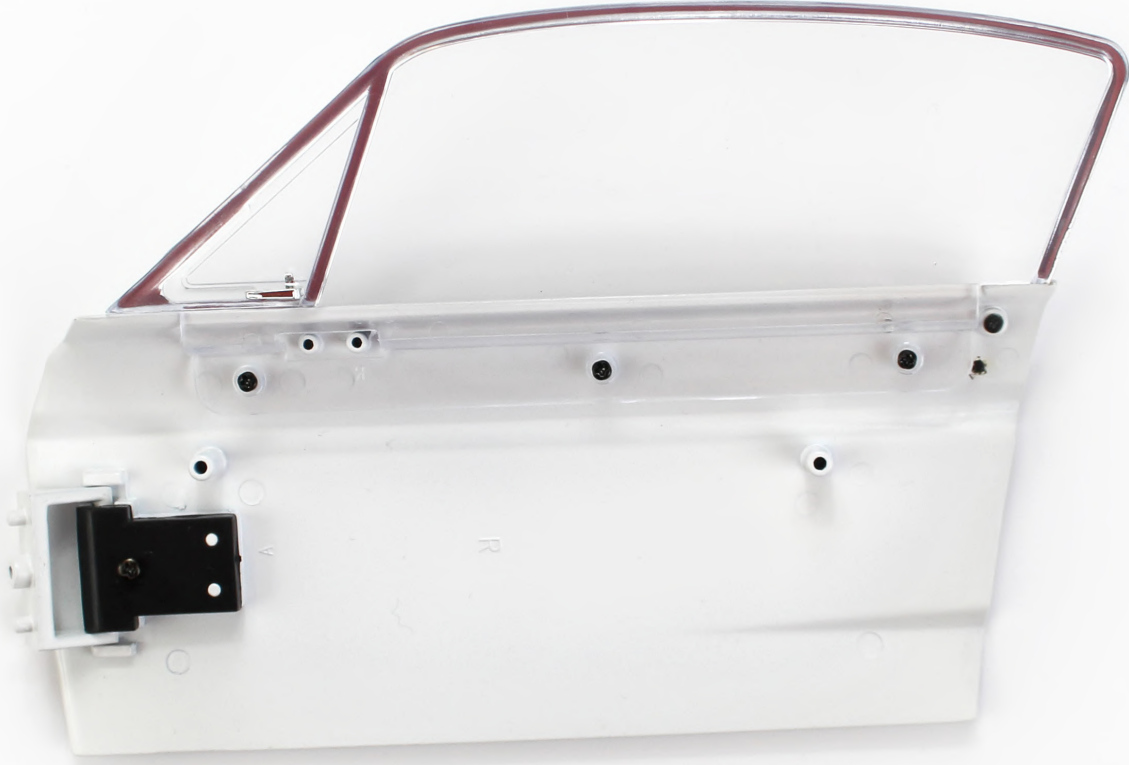
ADD THE DOOR HINGE AND HINGE BRACKET

Place the Hinge in the groove on the inside of the Door and Window Assembly. Check that the hinge is the correct way up – as shown in picture 2. Take the Hinge Bracket and align the 2 small holes with the corresponding lugs on the Door. Position the Bracket on the Door so that the rounded edge sits on top of the Hinge axis and the 2 holes sit over the 2 lugs. Secure in place with a TYPE MD06 screw. Flick the hinge up when tightening the screw. You can get it tighter like this. Check that the hinge pivots freely.



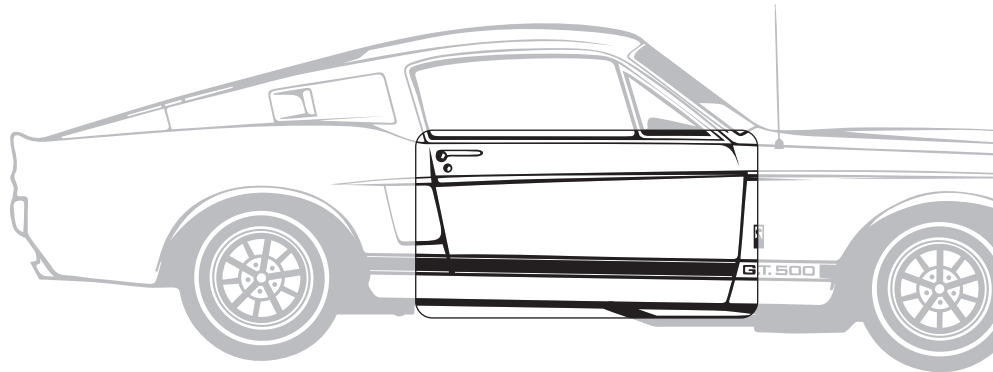
Stage 08: Right Window Assembly

Stage 08 complete!



Stage 09: Right Door Trim

Next you will add the Interior Trim, Window Crank Handle and Door Handle to the inside of the Right Door Assembly created in Stages 07 and 08.



STAGE 09 PARTS LIST

Name	Quantity
Right Door Main Inside Panel	1
Interior Door Handle	1
Window Crank Handle	1
Upper Trim Strip	1
Lower Trim Strip	1
Door Handle Bracket	1
Screw TYPE MD06	3 [inc. 1 spare]
Screw TYPE MP01	3 [inc. 1 spare]
Screw TYPE MP02	4 [inc. 1 spare]
Screw TYPE MP03	2 [inc. 1 spare]



Stage 09: Right Door Trim

STEP 1

ATTACH THE LOWER TRIM STRIP

Line up the lugs on the Lower Trim Strip and slot them into the corresponding holes in the Main Panel. Screw the parts together from the reverse side with 2 x TYPE MP01 screws.



EXPERT TIP

Occasionally, you may find a bit of flash (rough edge) along the edge of a model piece, preventing it from being positioned easily. This is easily fixed by sanding off the flash with an emery board – the kind used for gently filing finger nails.



STEP 2

ATTACH THE INTERIOR DOOR HANDLE

Take the Interior Door Handle and place into position in the Door Handle Bracket. Hold the Handle in position in the holder and push through the slot on the reverse side of the Main Inside Panel. The Door Handle should protrude from the interior side of the Inside Door Panel. Secure in place with 2 x TYPE MP02 screws, securing the Handle with 1 x TYPE MP03 screw, ensuring the Handle rotates freely.



EXPERT TIP

Be careful not to over-tighten screws MP02 or you may strip the thread. It's easier to fit both screws loosely, then carefully tighten them both.



STEP 3

ATTACH THE WINDOW CRANK HANDLE

Line up the small stud on the Window Crank Handle with the fixing hole on the interior side of the Main Panel. Secure in place from the reverse side with 1 x TYPE MP02 screw.

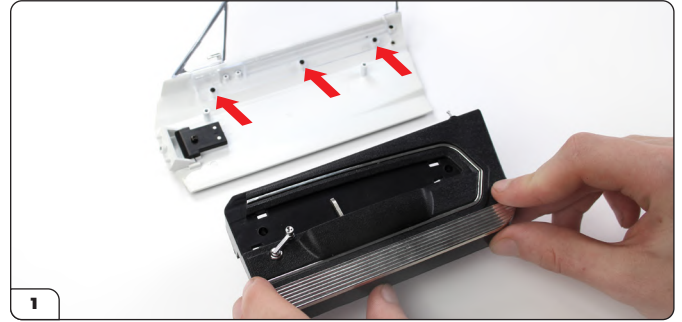


Stage 09: Right Door Trim

STEP 4

ATTACH THE RIGHT DOOR INTERIOR TRIM TO THE RIGHT DOOR ASSEMBLY CREATED IN STAGE 08

Line up the lugs on the Door Assembly with the corresponding holes on the Interior Panel. Push the two sections together, check the assembly is correct, and fix in place with 2 x TYPE MD06 screws.



STEP 5

ATTACH THE UPPER TRIM STRIP

Position the Upper Trim Strip carefully under the Interior Door Handle. Line up the tabs on the Trim Strip with the slots in the Door Panel. Press together securely.

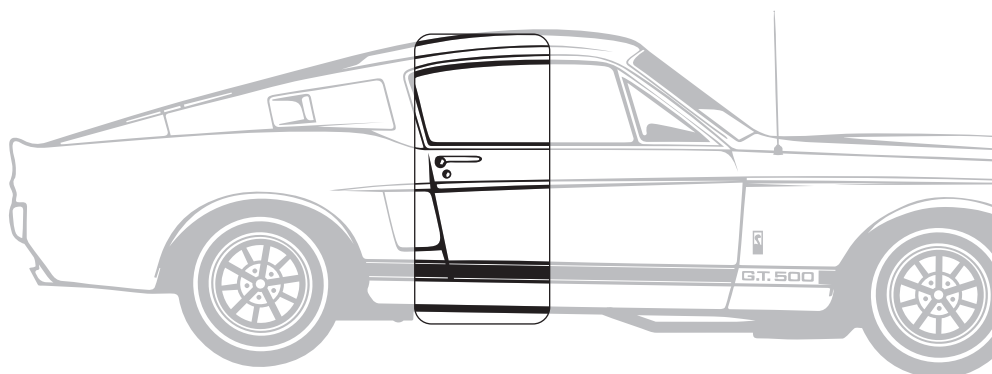


Stage 09 complete!



Stage 10: Passenger's Seat Backrest

You will now start to assemble the Passenger's Seat, starting with the Backrest.



STAGE 10 PARTS LIST

Name	Quantity
Passenger's Seat Backrest	1
Passenger's Seat Backrest Frame	1
Passenger's Seat Backrest Upholstery	1
Screws TYPE MP01	5 [inc. 1 spare]



Stage 10: Passenger's Seat Backrest

STEP 1

JOIN THE PASSENGER'S SEAT BACKREST TO THE BACKREST FRAME

Line up the 4 holes on the Backrest and the 4 holes on the Backrest Frame. Press together. Check that the 3 raised lugs-with-holes protrude through from the Backrest Frame, and that the edges are flush. Secure together with 4 x TYPE MP01 screws.



STEP 2

JOIN THE BACKREST UPHOLSTERY TO THE BACKREST ASSEMBLY

Take the Backrest Upholstery and line up the 3 lugs on the reverse side with the 3 corresponding lugs-with-holes on the Frame made in Step 01 (above). Push together until the lugs click into place. The protruding tab forms part of the seat detail and should sit flush in the slot of the upholstery.

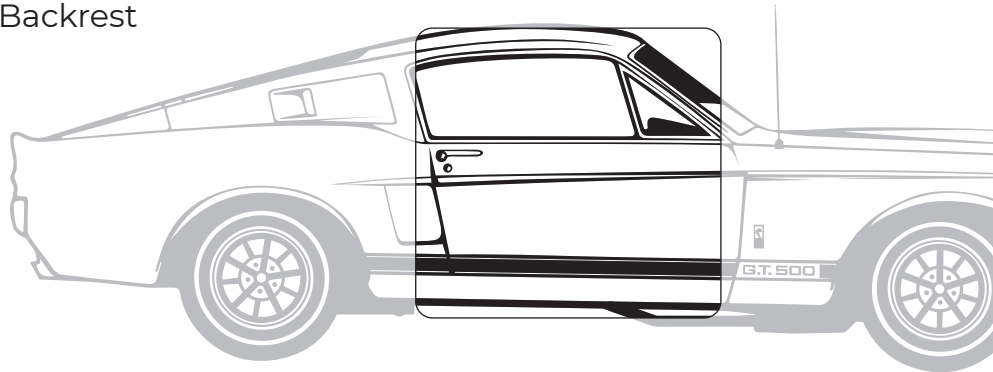


Stage 10 complete!



Stage 11: Passenger's Seat

Now you're going to fit the Passenger's Seat Base and Cushion to the Backrest assembly made in Stage 10.



STAGE 11 PARTS LIST

Name	Quantity
Passenger's Seat Base	1
Passenger's Seat Cushion	1
Screws TYPE MP01	5 [inc. 1 spare]



Stage 11: Passenger's Seat

STEP 1

ATTACH THE PASSENGER'S SEAT CUSHION TO THE SEAT BASE

Take the Passenger's Seat Base and align the diagonal strut on the Passenger's Seat backrest (assembled in Stage 10) with the diagonal groove at the back of the Seat Base. Press the Backrest firmly into the Seat Base.



STEP 2

ATTACH THE PASSENGER'S SEAT CUSHION

Position the Seat Cushion under the Backrest Upholstery ensuring the lugs on the Cushion align with the holes in the Seat Base. Fit the tab on the front edge of the Seat Cushion over the front edge of the Base. Press to fit snugly together. Secure from the outside of the Seat Base using 4 x TYPE MP01 screws.

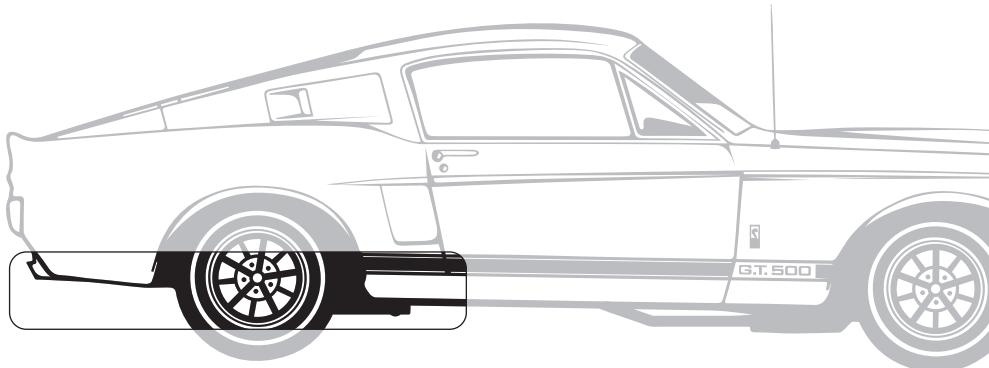


Stage 11 complete!



Stage 12: Rear Chassis

Keep this part safe until needed in the next Stage.



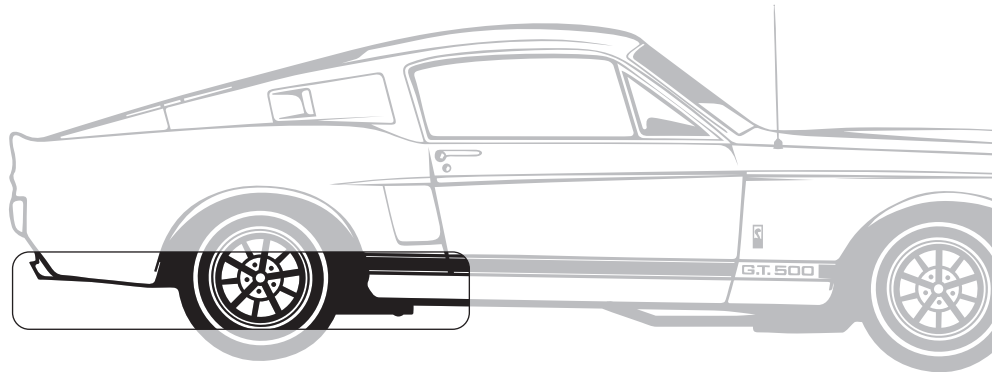
STAGE 12 PARTS LIST

Name	Quantity
Rear Chassis	1



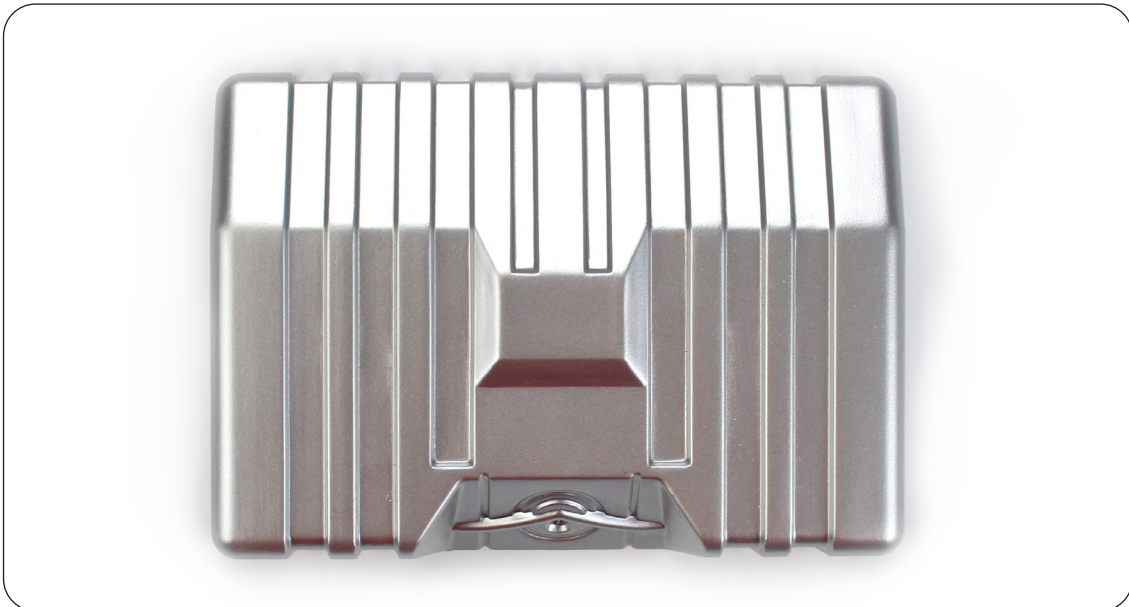
Stage 13: Fuel Tank Bottom

You will now start creating the Fuel Tank and Rear Chassis assembly.



STAGE 13 PARTS LIST

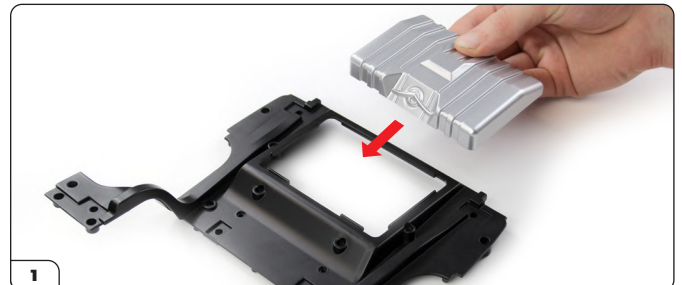
Name	Quantity
Fuel Tank Bottom	1



STEP 1

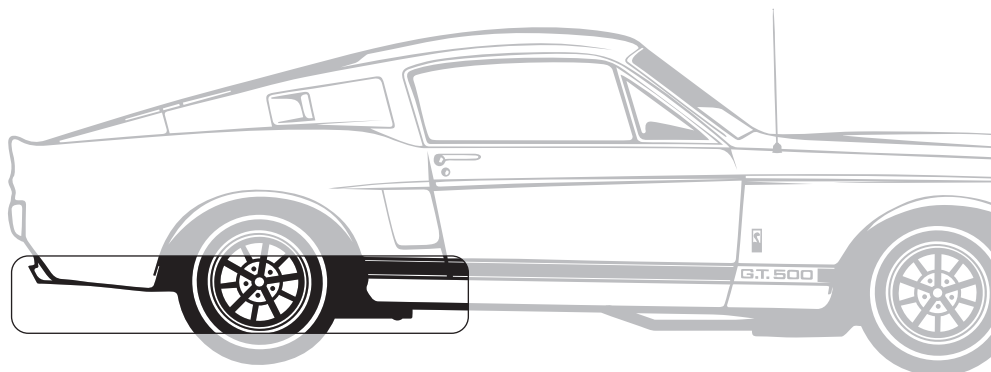
TEST-FIT THE FUEL TANK TO THE REAR CHASSIS

Place the tank over the tabs on the Rear Chassis and press into position.



Stage 14: Fuel Tank Top and Filler Hose

You will now attach the Filler Hose and complete building the Fuel Tank.



STAGE 14 PARTS LIST

Name	Quantity
Fuel Tank Top	1
Fuel Tank Filler Hose	1
Screws TYPE MP01	6 [inc. 1 spare]



Stage 14: Fuel Tank Top and Filler Hose

STEP 1

ATTACH THE FILLER HOSE

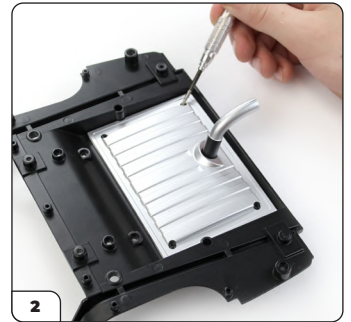
Push the smaller end of the Filler Hose into the Fuel Tank Top, ensuring that the other end of the hose – the larger part – points away from the Fuel Tank Top. Secure from the underside using an MP01 screw.



STEP 2

FIT THE FUEL TANK TOP

Now take the Rear Chassis and Fuel Tank Bottom from Stage 13. Ensure the Fuel Tank Bottom is pushed onto the tabs on the underside of the Rear Chassis (as shown in Stage 13). Flip the assembly over, and place the Fuel Tank Top on top of the Fuel Tank Bottom. Only one mounting position is possible. Secure in place using 4 x MP01 screws.



Stage 14 complete!

