

1 9 6 5

# SHELBY COBRA

## 427 SEMI-COMPETITION

**1:8 SCALE**



## Pack 10 | Build Instructions

In the 1960s, Carroll Shelby's Cobras dominated racetracks worldwide, first winning races coast to coast across North America, then in 1965, winning the World Manufacturer's GT Championship, achieving the ultimate goal of defeating Ferrari. The Semi-Competitions were modified from full competition models just enough to make them street legal. Only 29 models were produced, making them one of the most sought-after American sports cars by collectors.

Your 1:8 model replicates the original 1965 Semi-Competition Cobra in intricate detail. From the detail on the dashboard dials to the writing on the wheels, every piece is precisely reproduced.

**In your tenth model pack, you will build:**

**STAGE 74: DOOR HINGE AND LATCH  
MECHANISM**

**STAGE 75: WINDSHIELD FRAME**

**STAGE 76: LEFT WIND DEFLECTOR AND  
SUNVISOR**

**STAGE 77: RIGHT WIND DEFLECTOR AND  
SUNVISOR**

**STAGE 78: WINDSHIELD**

**STAGE 79: RADIATOR FRONT & GRILLE, OIL  
COOLER WITH FRONT & REAR GRILLE**

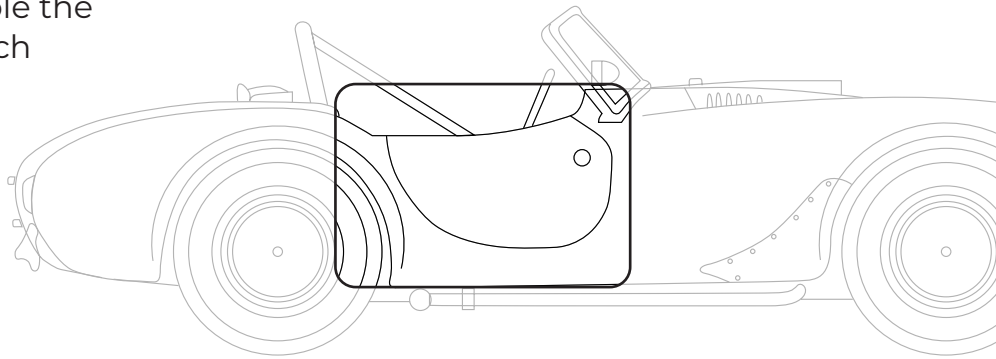
**STAGE 80: RADIATOR & GRILLE**

**STAGE 81: RADIATOR MOUNTING, FANS AND  
FAN MOTORS**

**STAGE 82: RADIATOR MOUNTING FRAME**

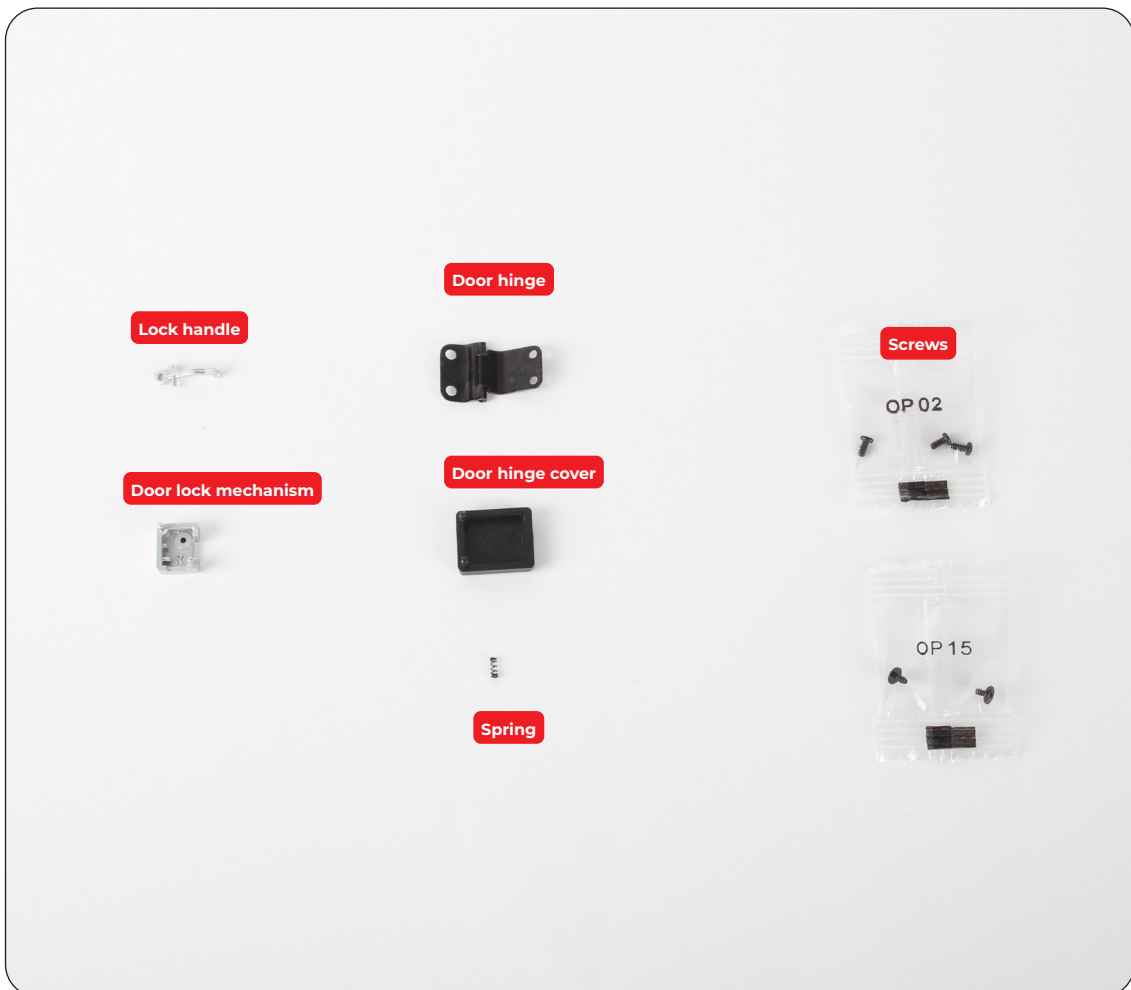
# Stage 74: Door hinge and latch mechanism

In this first stage of Pack 10 of the Shelby Cobra, you will assemble the passenger door hinge and latch mechanism.



## STAGE 74 PARTS LIST

Name	Quantity
Door hinge	1
Door hinge cover	1
Door lock mechanism	1
Lock handle	1
Spring	1
Screws TYPE OP02	3
Screws TYPE OP15	2

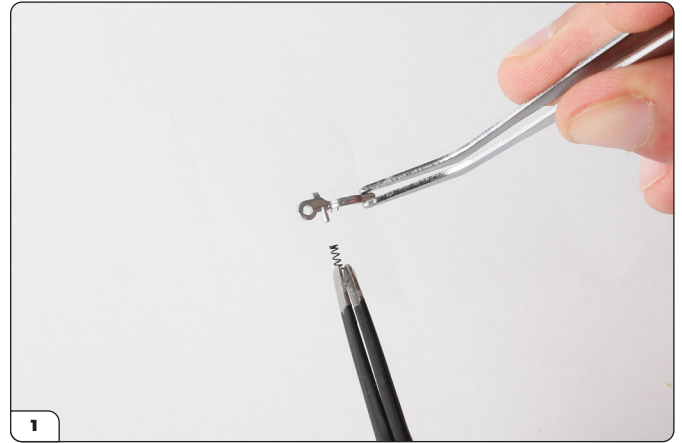


# Stage 74: Door hinge and latch mechanism

## STEP 1

### ASSEMBLE AND FIT THE DOOR LOCK MECHANISM

Position the Spring on the Lock Handle as shown in picture 1 before placing the Handle in the Lock Mechanism. Check the screw holes are aligned and the Spring sits between the two metal pegs (picture 3). Fix in place with an OP15 screw.



# Stage 74: Door hinge and latch mechanism

## CONTINUED...

Take the right door assembly from Stage 73 and lower the door lock assembly over the corresponding holes on the door. Push the lock firmly in place and gently test the movement of the handle.



## STEP 2

### FIT THE HINGE TO THE DOOR

Check you have the Hinge in the correct orientation before fixing it to the door using 2 x OP02 screws.



## Stage 74: Door hinge and latch mechanism

### CONTINUED...

Lower the Door Hinge Cover over the Hinge, pressing the tiny lugs into the corresponding holes, and push/snap into place.

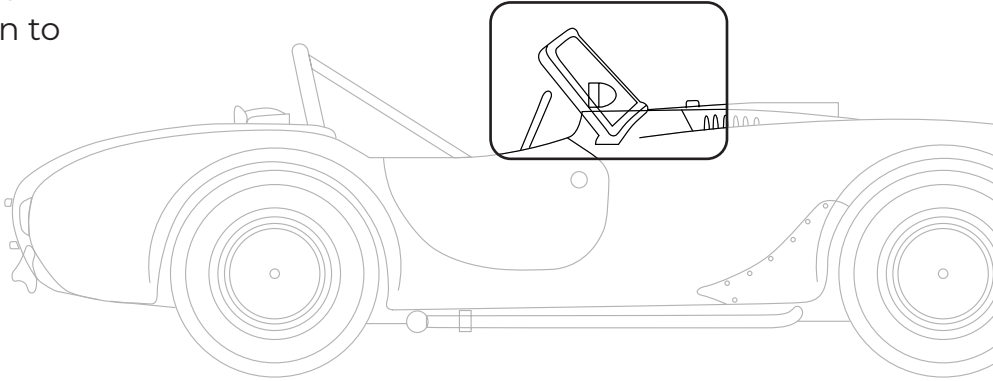


## Stage 74 complete!



# Stage 75: Windshield frame

In stage 75, you will unpack the windshield frame and move on to stage 76.



## STAGE 75 PARTS LIST

Name	Quantity
Windshield frame	1



## Stage 75: Windshield frame

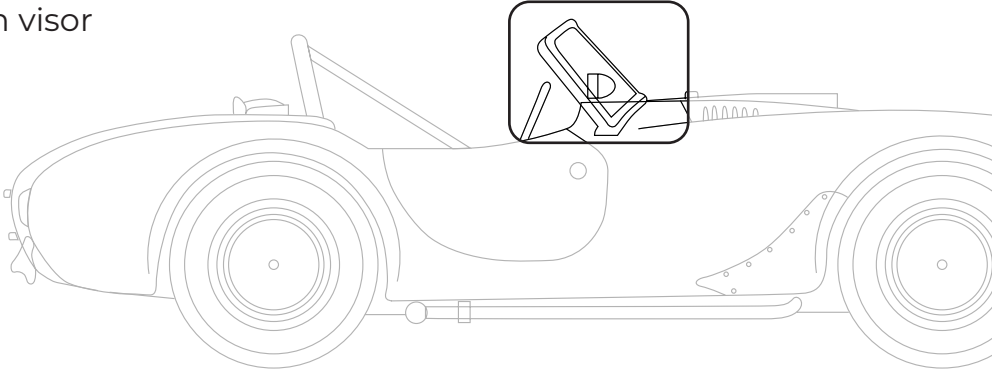
---

**Stage 75 complete!**



# Stage 76: Left wind deflector and sun visor

In stage 76 you will attach the left wind deflector and the left sun visor to the windshield.



## STAGE 76 PARTS LIST

Name	Quantity
Left wind deflector	1
Left sun visor	1



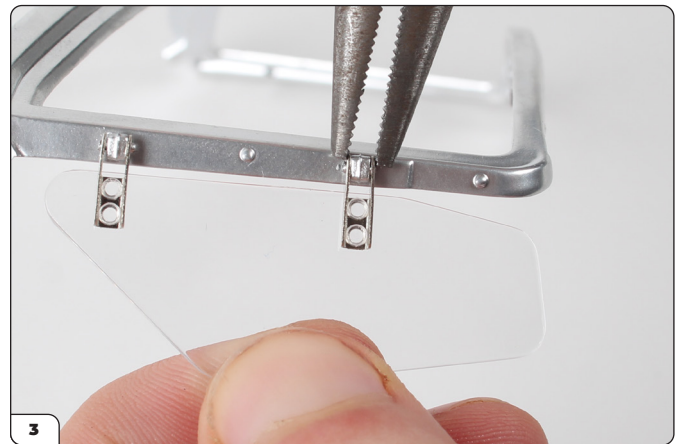
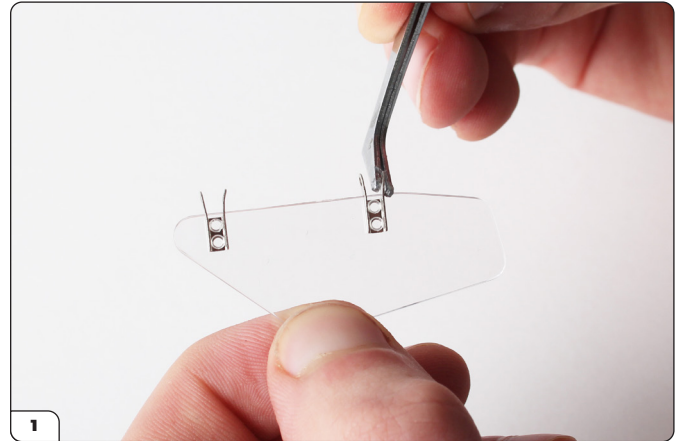


# Stage 76: Left wind deflector and sun visor

## STEP 1

### ATTACH THE LEFT WIND DEFLECTOR TO THE WINDSHIELD

Gently prise apart the fixings on the Wind Deflector. Check you have the Wind Deflector in the correct orientation before aligning the fixings with the projections on the Windshield. The fixings have tiny holes on either side that fit over tiny lugs on the Windshield. Squeeze the holes over the lugs using long-nose pliers (picture 3).

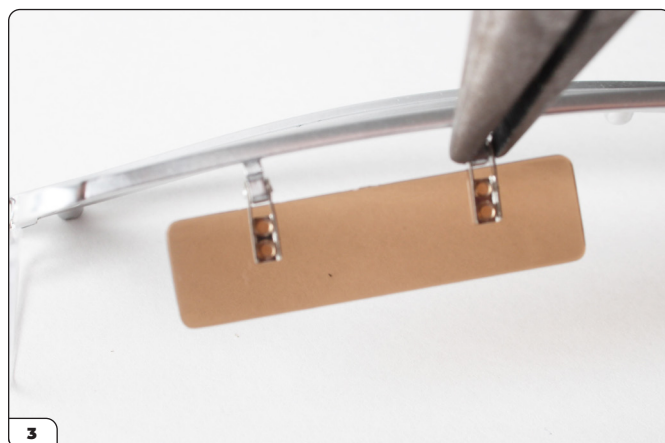
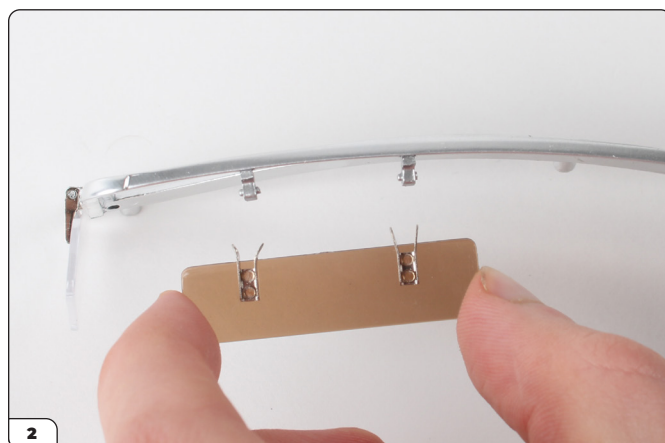
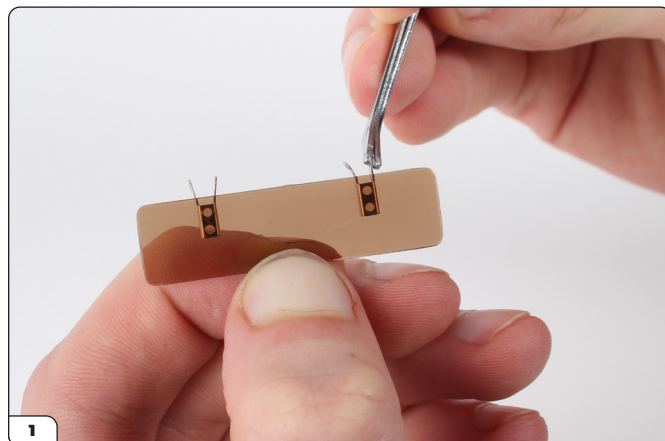


## Stage 76: Left wind deflector and sun visor

### STEP 2

#### ATTACH THE SUN VISOR TO THE WINDSHIELD

Prise apart the fixings on the Sun Visor before aligning them with the fixings on the top edge of the Windshield. Squeeze the fixings in place using long-nose pliers.



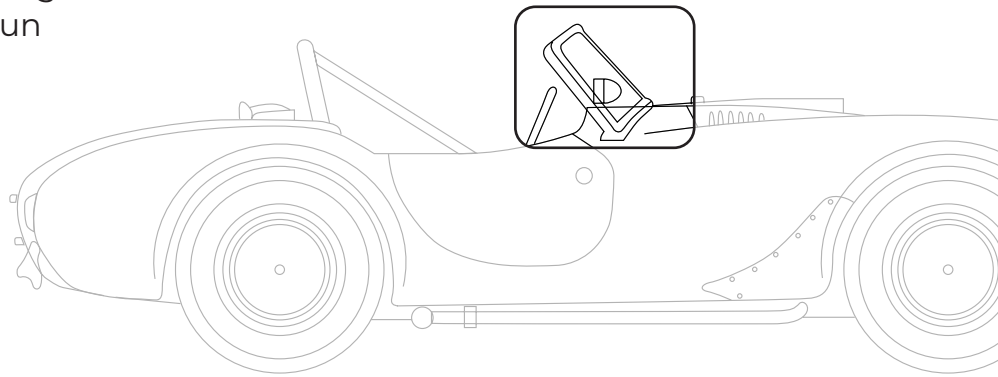
# Stage 76: Left wind deflector and sun visor

**Stage 76 complete!**



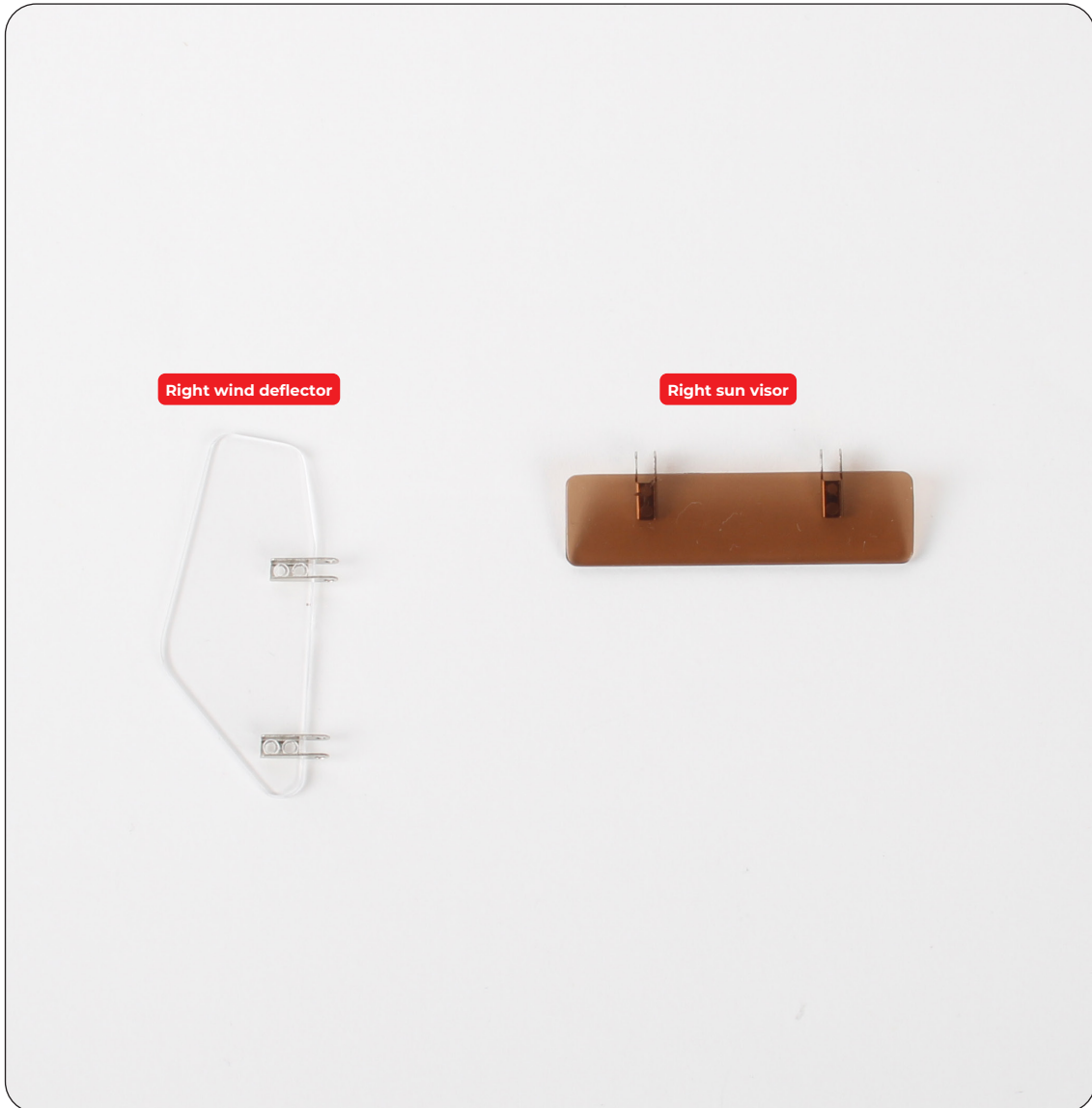
# Stage 77: Right wind deflector and sun visor

In stage 77, you will attach the right wind deflector and the right sun visor to the windshield



## STAGE 77 PARTS LIST

Name	Quantity
Right wind deflector	1
Right sun visor	1

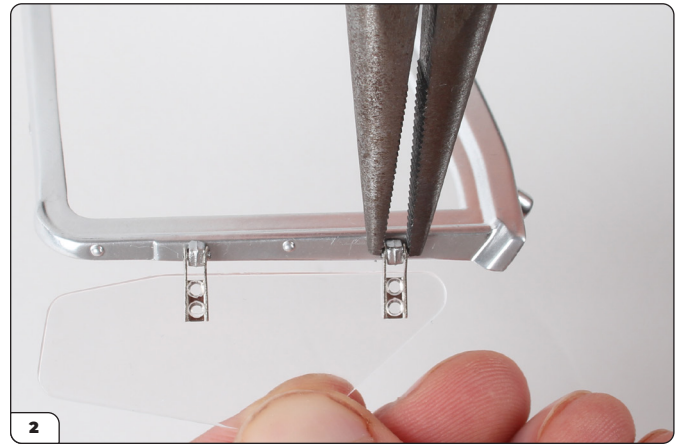


# Stage 77: Right wind deflector and sun visor

## STEP 1

### ATTACH THE RIGHT WIND DEFLECTOR TO THE WINDSHIELD

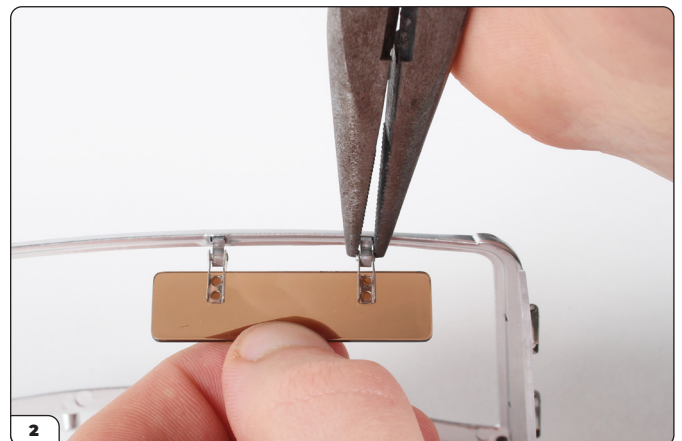
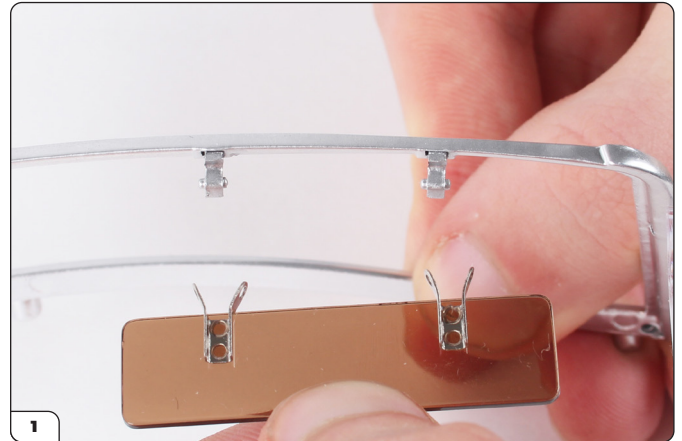
Gently prise apart the fixings on the Wind Deflector. Check you have the Wind Deflector in the correct orientation before aligning the fixings with the projections on the Windshield. The fixings have tiny holes on either side that fit over tiny lugs on the Windshield. Squeeze the holes over the lugs using long-nose pliers (picture 2).



## STEP 2

### ATTACH THE SUN VISOR TO THE WINDSHIELD

Prise apart the fixings on the Sun Visor before aligning them with the fixings on the top edge of the Windshield. Squeeze the fixings in place using long-nose pliers.



## Stage 77: Right wind deflector and sunvisor

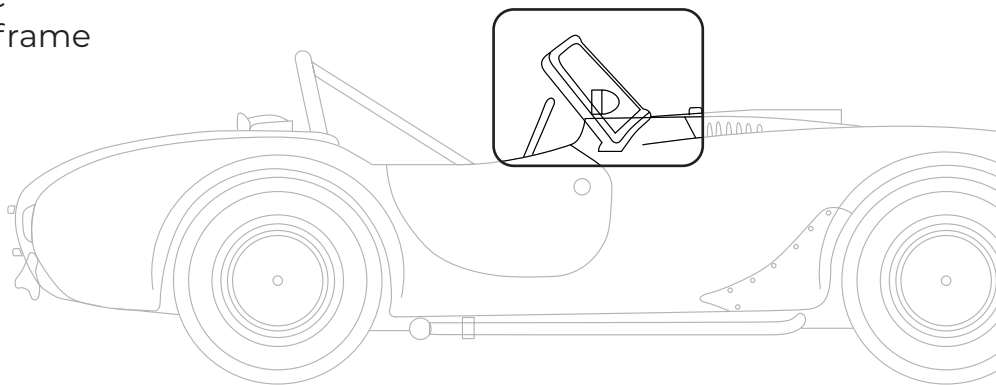
---

**Stage 77 complete!**



## Stage 78: Windshield

In stage 78, you will attach the windshield to the windshield frame



### STAGE 78 PARTS LIST

Name	Quantity
Windshield	1

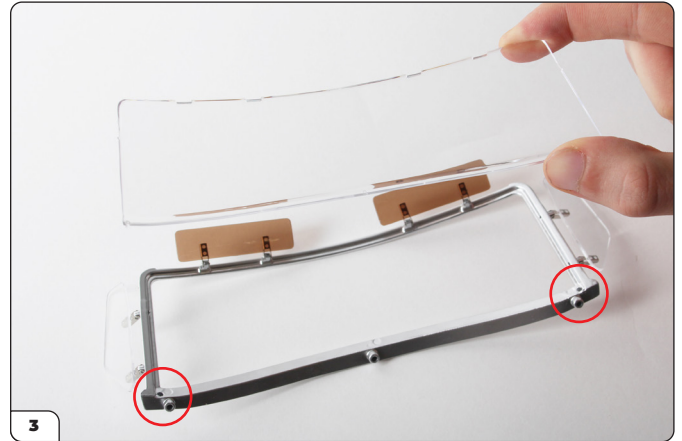


# Stage 78: Windshield

## STEP 1

### FIX THE WINDSHIELD TO THE WINDSHIELD FRAME

Align the Windshield with the Windshield Frame. Note that there are notches along the top edge of the Windshield that fit around the Sun Visors. There are also two tiny lugs at the bottom of the Windshield Frame (circled) which correspond to holes on the Windshield to determine the correct fit. Press the edges of the Windshield firmly into the frame to fit.



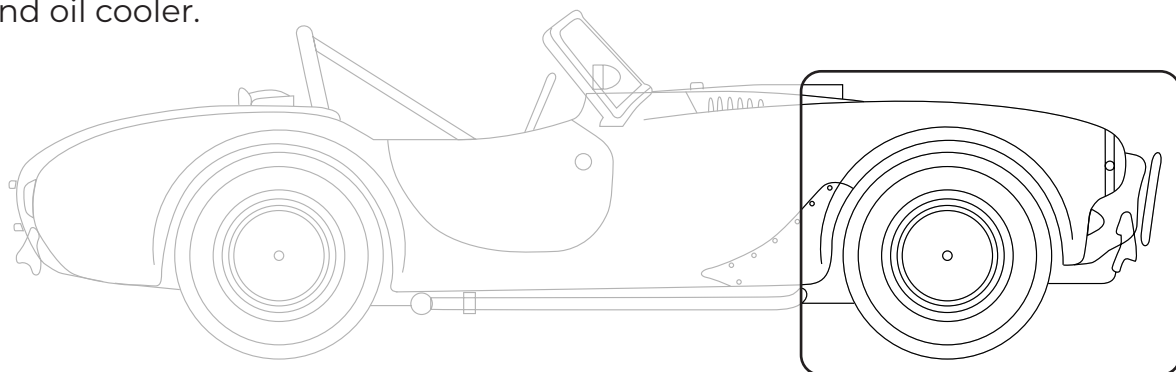
## Stage 78 complete!





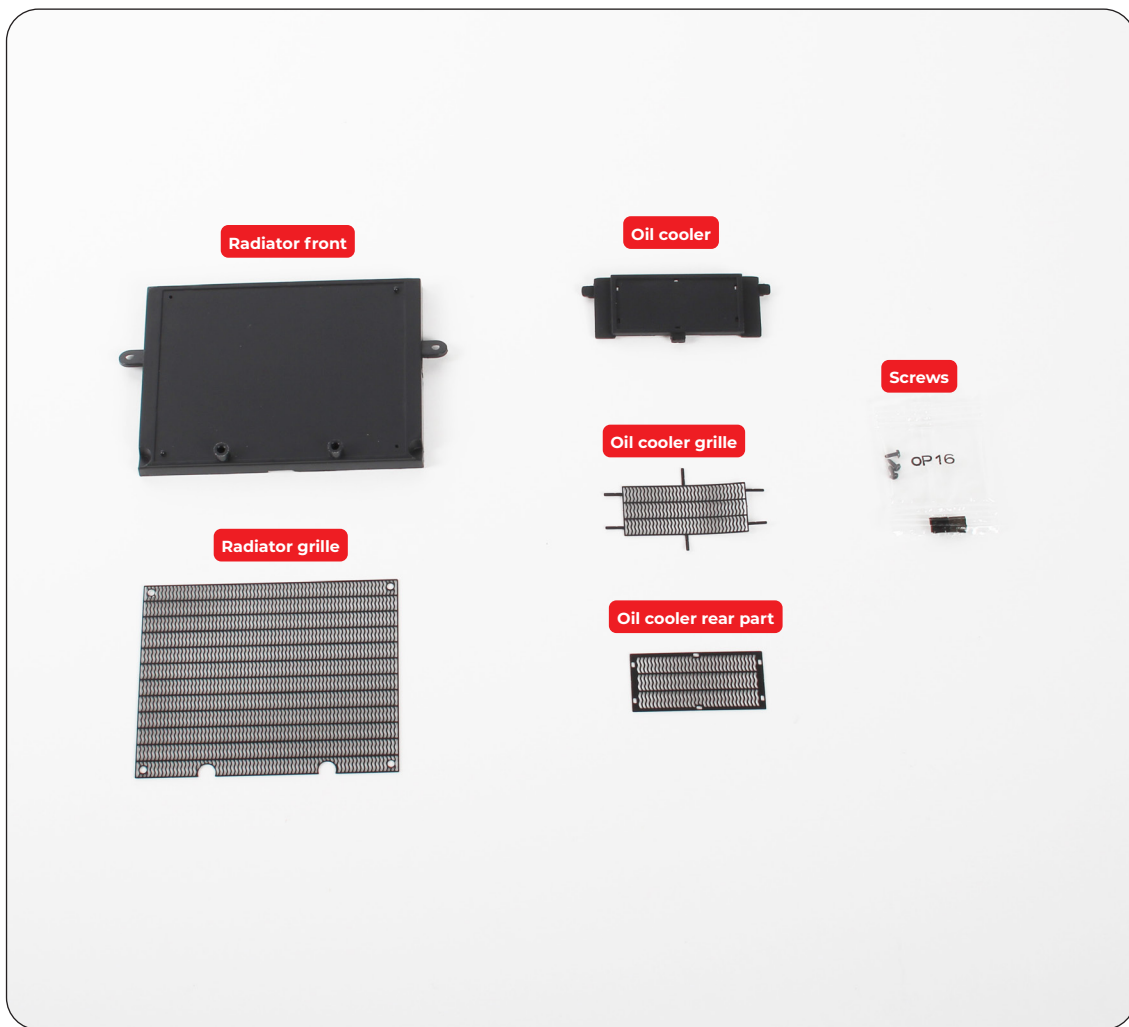
# Stage 79: Radiator front & grille, oil cooler with front & rear grille

In stage 79, you will assemble the Cobra radiator and oil cooler.



## STAGE 79 PARTS LIST

Name	Quantity
Radiator front	1
Radiator grille	1
Oil cooler	1
Oil cooler rear part	1
Oil cooler grille	1
Screws TYPE OP16	3

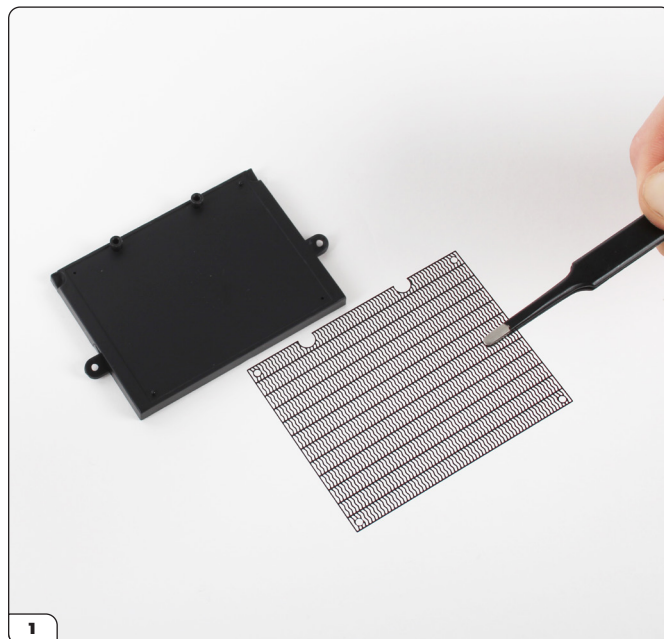


# Stage 79: Radiator front & grille, oil cooler with front & rear grille

## STEP 1

### ASSEMBLE THE RADIATOR

Align the Radiator Grille over the Radiator Front. The Grille is the same on both sides, but has a top and bottom with notches and holes. Rest in position and then fix using 2 x OP16 screws.

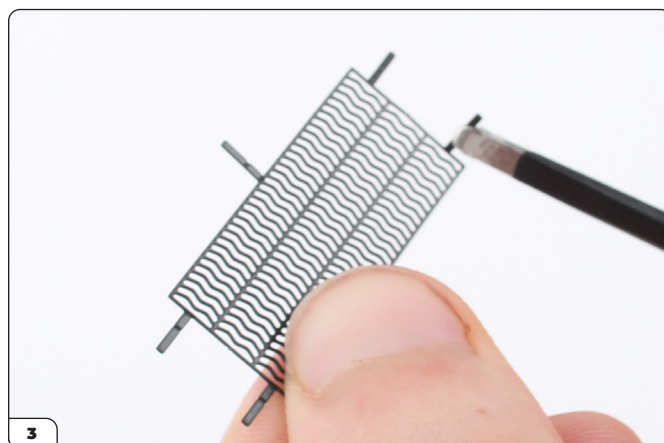
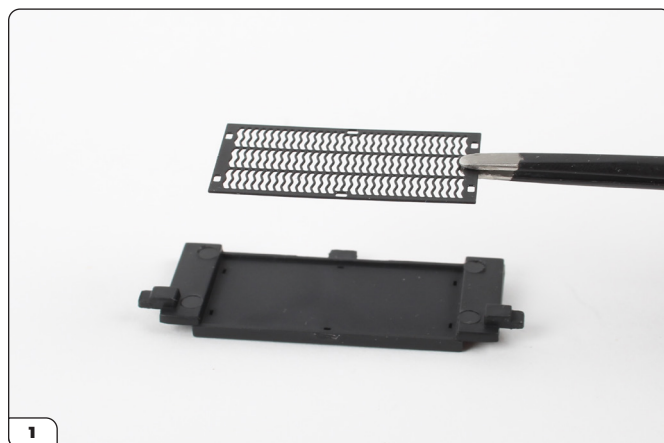


# Stage 79: Radiator front & grille, oil cooler with front & rear grille

## STEP 2

### ASSEMBLE THE OIL COOLER

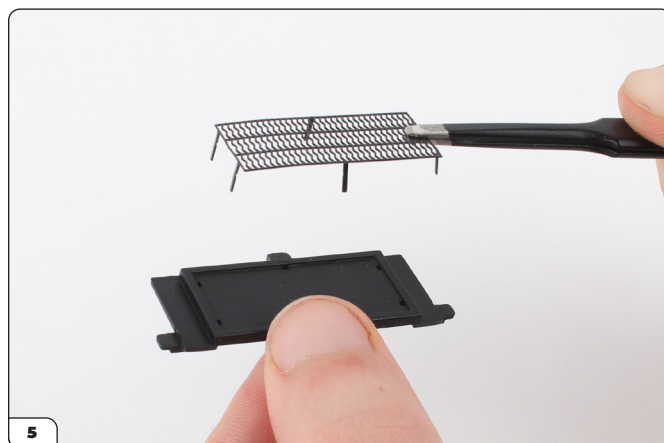
With the recessed side of the Oil Cooler facing you, place the Oil Cooler Rear Part in the recess. Put this assembly to one side while you prepare the Oil Cooler Grille. Holding the Grille, bend the six tabs into right angles (picture 4).



# Stage 79: Radiator front & grille, oil cooler with front & rear grille

## CONTINUED...

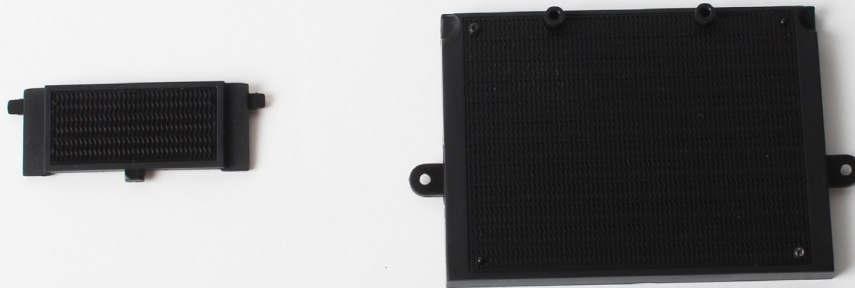
Holding the Oil Cooler and Rear Part assembly together, position the Grille on the opposite side. The six tabs push into six corresponding holes. Push gently but firmly into position before flattening the six tabs on the reverse side (Picture 7).



## Stage 79: Radiator front & grille, oil cooler with front & rear grille

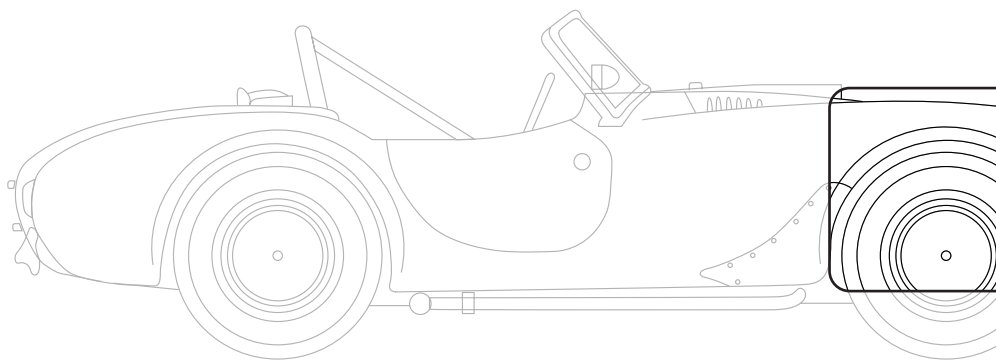
---

**Stage 79 complete!**



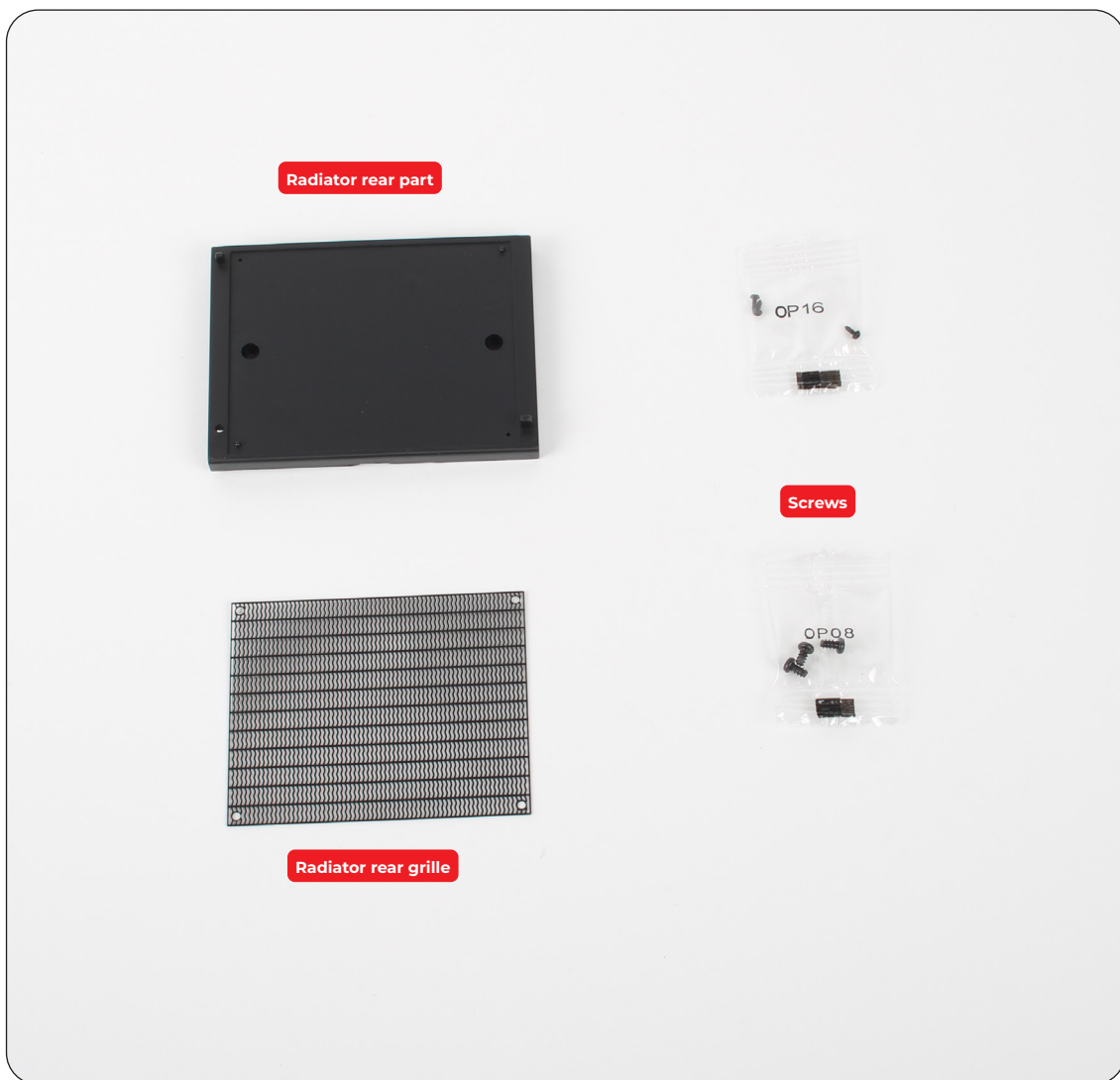
## Stage 80: Radiator & grille

In stage 80, you will continue to assemble the radiator.



### STAGE 80 PARTS LIST

Name	Quantity
Radiator rear part	1
Radiator rear grille	1
Screws TYPE OP08	3
Screws TYPE OP16	3



# Stage 80: Radiator & grille

## STEP 1

### ATTACH THE RADIATOR REAR PART AND REAR GRILLE

Take the radiator assembly from stage 79 and align the holes and lugs on the inside with the corresponding holes and lugs on the Radiator Rear Part. Check that the slot along the edge is correct (picture 3). Once the two parts are fitted correctly, secure them in place with 2 x OP08 screws

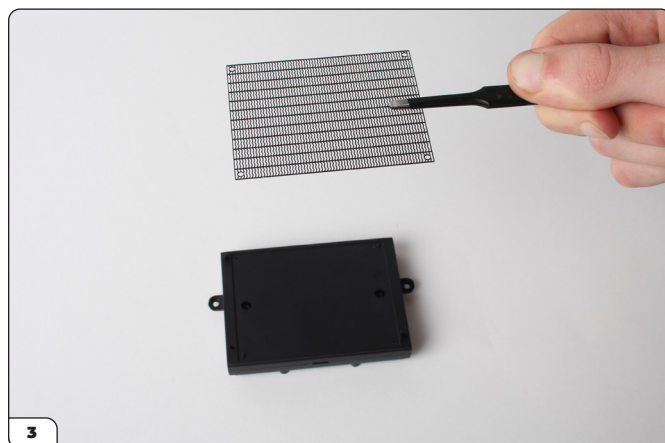


## Stage 80: Radiator & grille

### STEP 1

#### CONTINUED...

Align the holes on the Rear Grille with the lugs in the corners of the Radiator Rear Part and secure them together using 2 x OP16 screws.



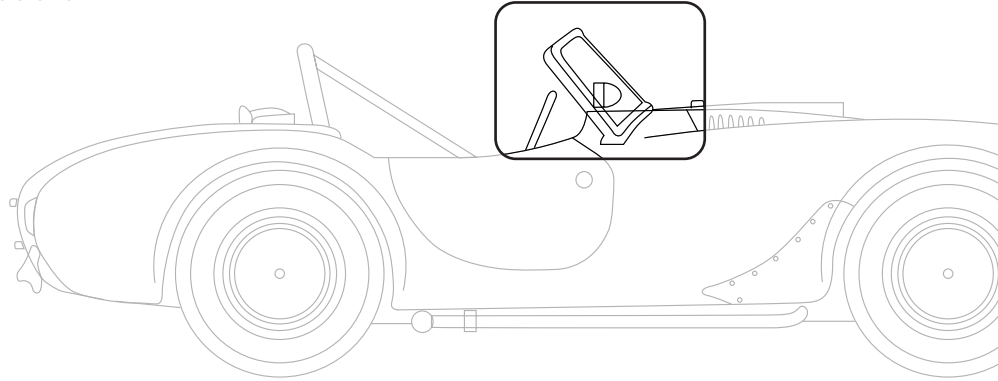
**Stage 80 complete!**





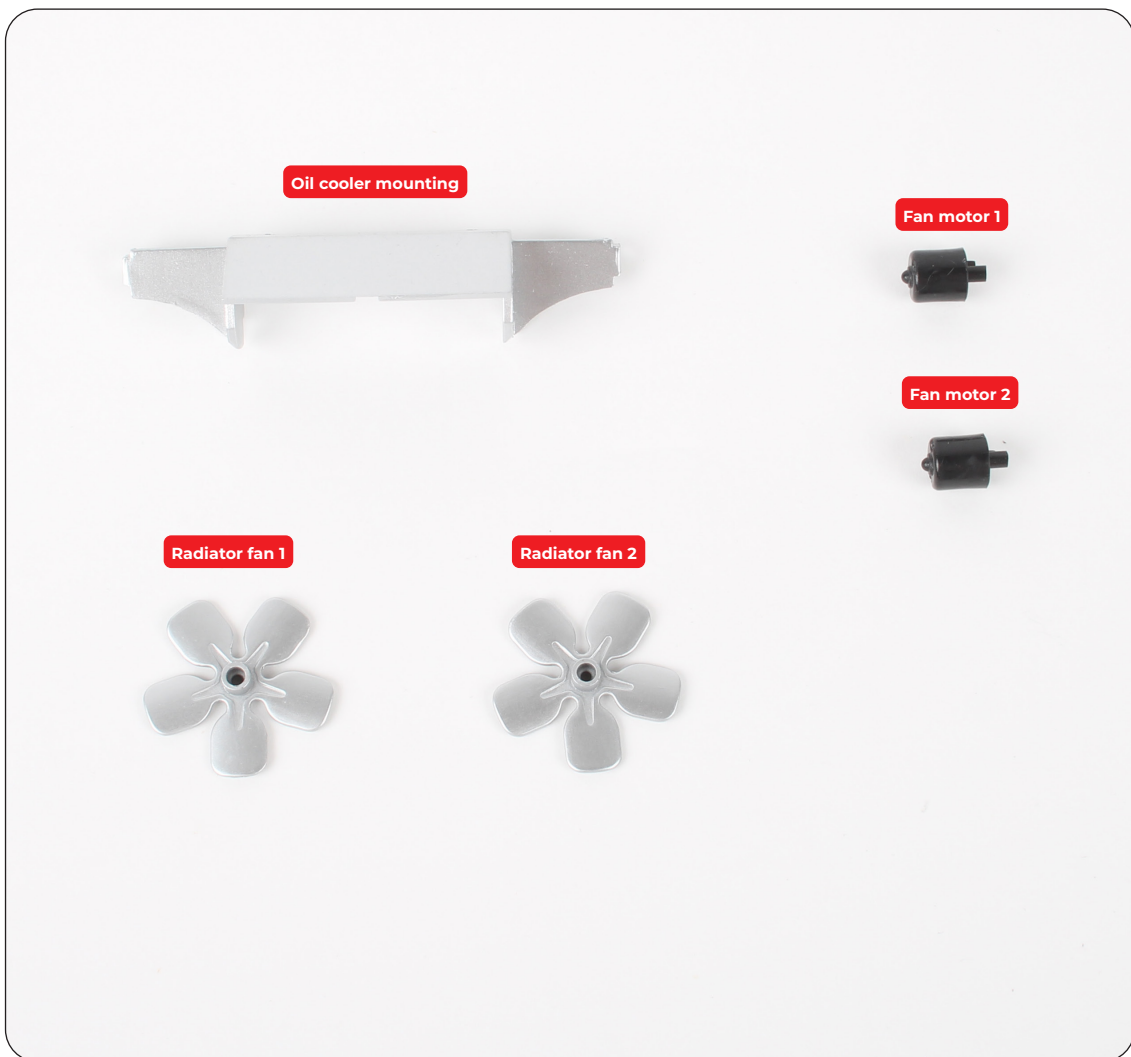
# Stage 81: Oil Cooler mounting, fans and fan motors

In stage 81, you will fix the oil cooler to the oil cooler mounting.



## STAGE 81 PARTS LIST

Name	Quantity
Radiator fan 1	1
Radiator fan 2	1
Fan motor 1	1
Fan motor 2	1
Oil cooler mounting	1

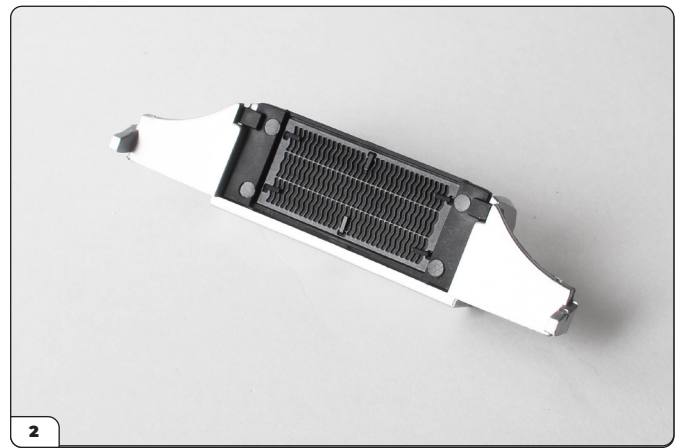
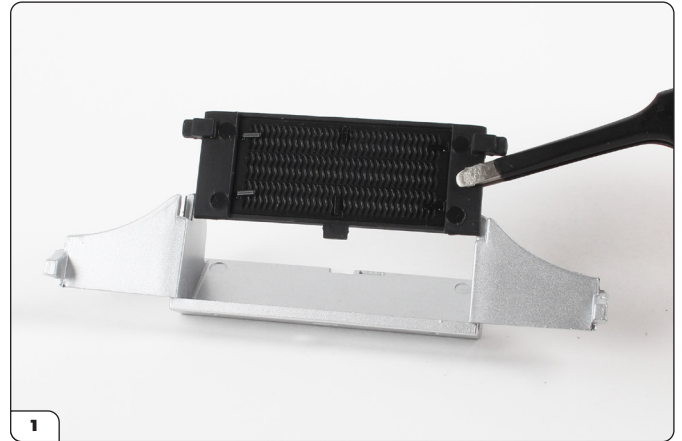


# Stage 81: Oil Cooler mounting, fans and fan motors

## STEP 1

### FIX THE OIL COOLER TO THE MOUNTING

Take the Oil Cooler from stage 79 and slide it into the Oil Cooler Mounting as shown. The Radiator Fans and Fan Motors will be assembled in the next stage.

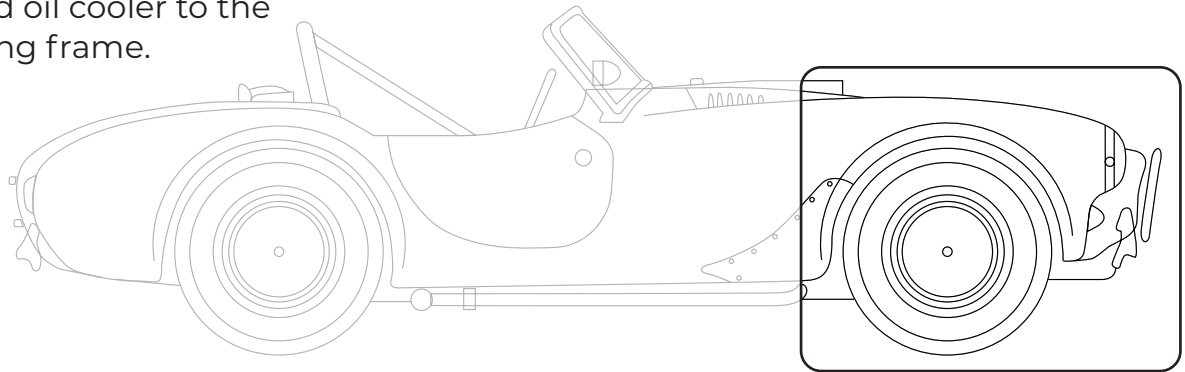


## Stage 81 complete!



## Stage 82: Radiator mounting frame

In stage 82, you will attach the fans, motors, and oil cooler to the radiator mounting frame.



### STAGE 82 PARTS LIST

Name	Quantity
Radiator mounting frame	1
Screws TYPE OP10	3



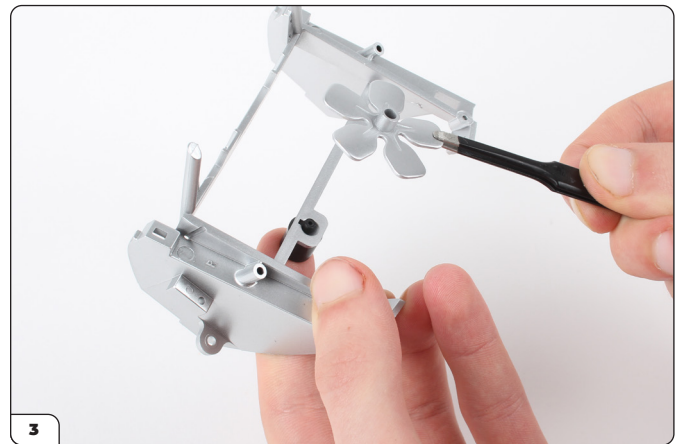
# Stage 82: Radiator mounting frame

## STEP 1

### ATTACH THE MOTORS AND FANS

Note: both Fan Motors are the same.

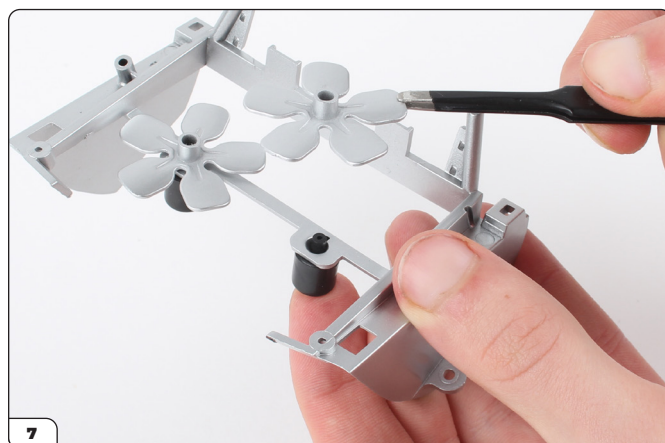
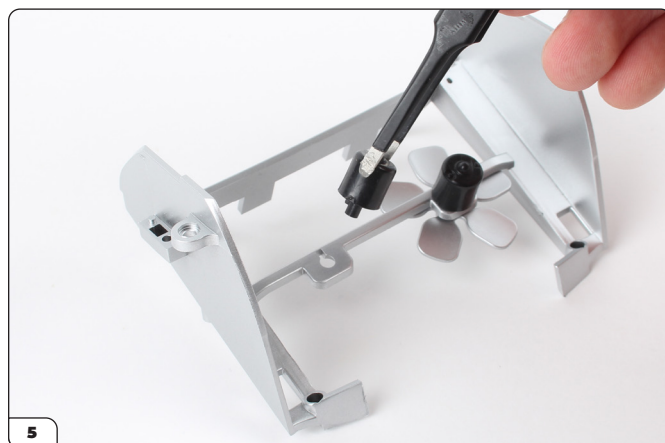
Take one of the Fan Motors and align the pin on the end with the hole on the Radiator Mounting Frame. Rest in position, then, holding the Fan Motor in place, turn the Mounting over and place a Fan over the projecting Fan Motor pin. Fix the parts together using an OP10 screw.



## Stage 82: Radiator mounting frame

### CONTINUED...

Repeat Step 1 to fix the remaining Motor and Fan.

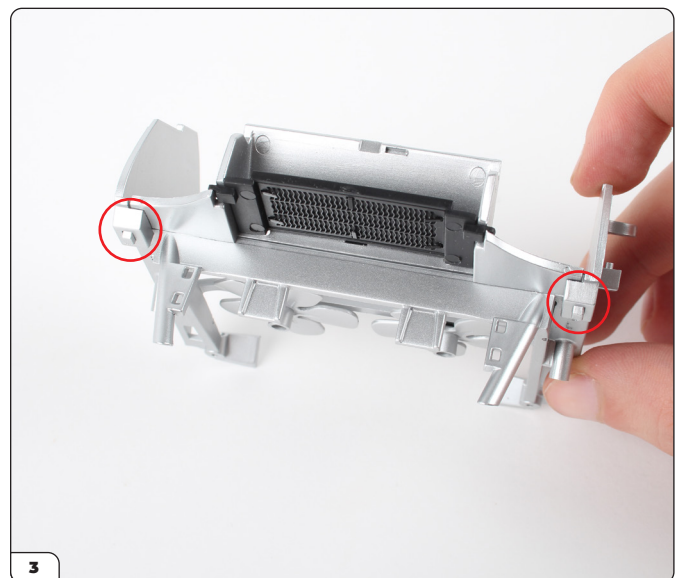


# Stage 82: Radiator mounting frame

## STEP 2

### ATTACH THE OIL COOLER AND MOUNTING

Take the oil cooler assembly from stage 81 and align the tabs on either end with the corresponding slots in the Radiator Mounting Frame. Push firmly into place.



# Stage 82: Radiator mounting frame

**Stage 82 complete!**

