

1 9 6 5

SHELBY COBRA

427 SEMI-COMPETITION

1:8 SCALE



Pack 05 | Build Instructions

In the 1960s, Carroll Shelby's Cobras dominated racetracks worldwide, first winning races coast to coast across North America, then in 1965, winning the World Manufacturer's GT Championship, achieving the ultimate goal of defeating Ferrari. The Semi-Competitions were modified from full competition models just enough to make them street legal. Only 29 models were produced, making them one of the most sought-after American sports cars by collectors.

Your 1:8 model replicates the original 1965 Semi-Competition Cobra in intricate detail. From the detail on the dashboard dials to the writing on the wheels, every piece is precisely reproduced.

In your fifth model pack, you will assemble:

STAGE 32: REAR RIGHT LOWER CONTROL ARM

Shock absorber piston, cylinder and spring

STAGE 33: REAR FLOOR PANEL

STAGE 34: INNER AND OUTER WHEEL RIM

STAGE 35: OUTER WHEEL RIM AND TIRE

STAGE 36: INNER AND OUTER WHEEL RIM

STAGE 37: OUTER WHEEL RIM AND TIRE

STAGE 38: FRONT LEFT CONTROL ARMS

Connecting Rod, Shock absorber piston, cylinder and spring

STAGE 39: FRONT RIGHT CONTROL ARMS

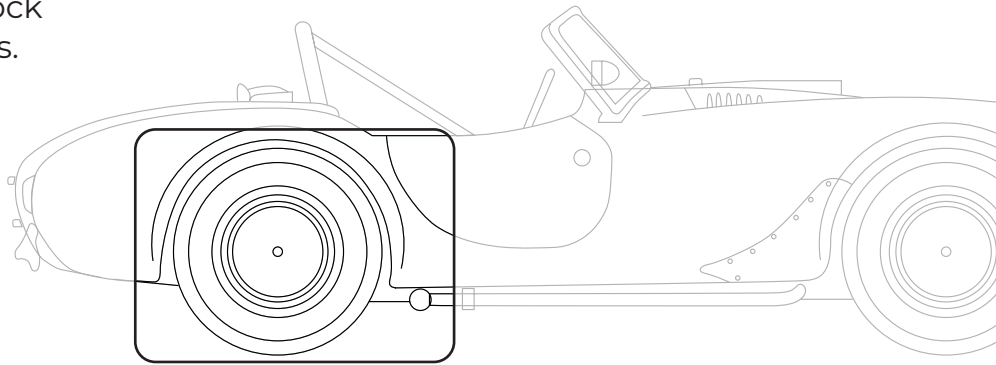
Connecting Rod, Shock absorber piston, cylinder and spring

**STAGE 40: FRONT FENDER LINERS
& AIRFLOW INTAKE PANEL**

WARNING: Some parts are assembled using magnets. These magnets can cause serious injury if they are swallowed. Keep away from children. If you suspect a magnet has been swallowed, seek medical help straight away.

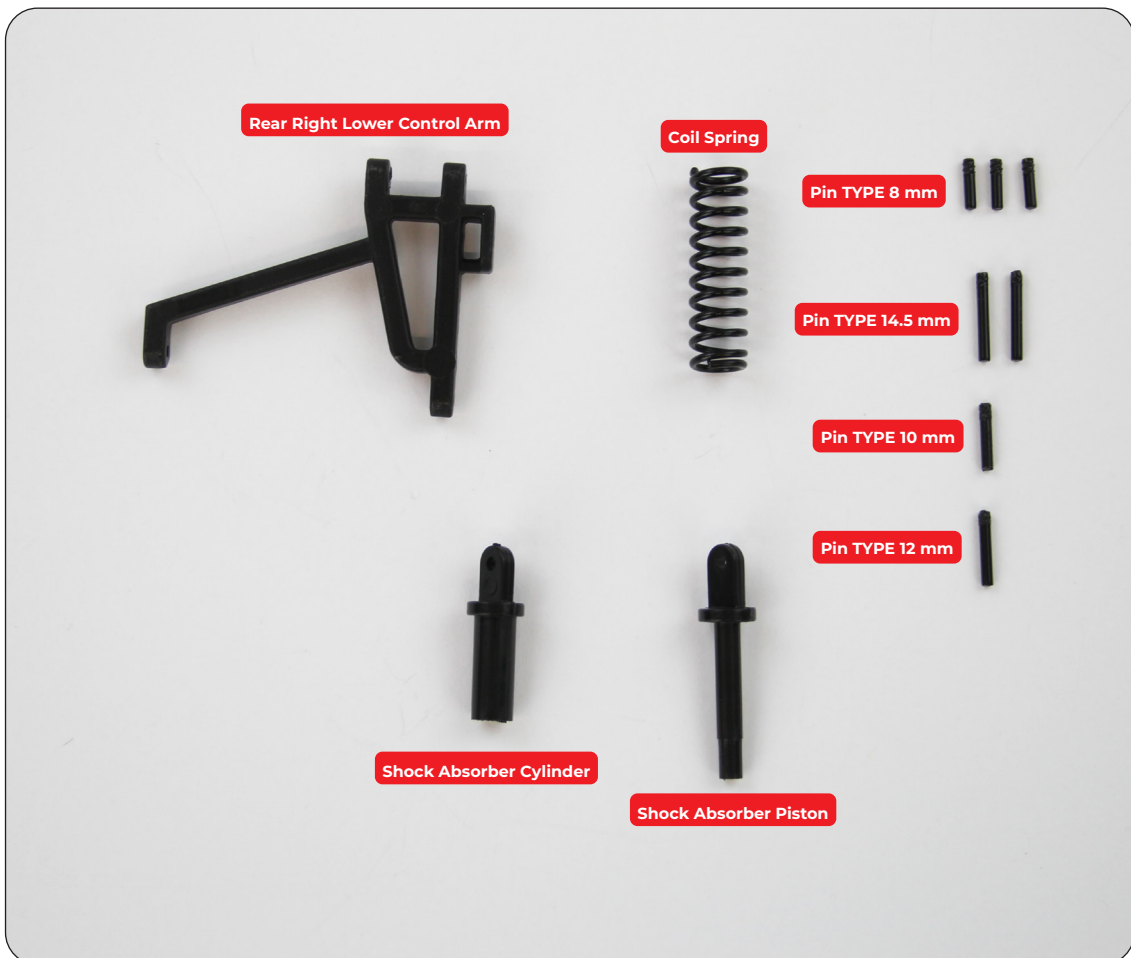
Stage 32: Rear Right Lower Control Arm

In the first stage of Pack 5, you will add a control arm and shock absorber system to the chassis.



STAGE 32 PARTS LIST

Name	Quantity
Rear Right Lower Control Arm	1
Coil Spring	1
Shock Absorber Piston	1
Shock Absorber Cylinder	1
Pin TYPE 14.5 mm	2
Pin TYPE 12 mm	1
Pin TYPE 10 mm	1
Pin TYPE 8 mm	3



Stage 32: Rear Right Lower Control Arm

STEP 1

ASSEMBLE THE REAR LOWER ARM

Fit the Shock Absorber Piston to the Lower Control Arm as shown. Secure the parts together with a TYPE 8 mm pin. Hold the pin at the ridged end and push it through the pin holes, leaving the ridged end protruding. With the parts correctly in position, squeeze the pin with pliers to fully insert. The process for securing pins is the same throughout the build unless instructed otherwise.



STEP 2

ATTACH THE SHOCK ABSORBER CYLINDER

Fit the Shock Absorber Cylinder from below, into position on the Front Suspension Support as shown. Fix in place with a TYPE 12 mm pin.

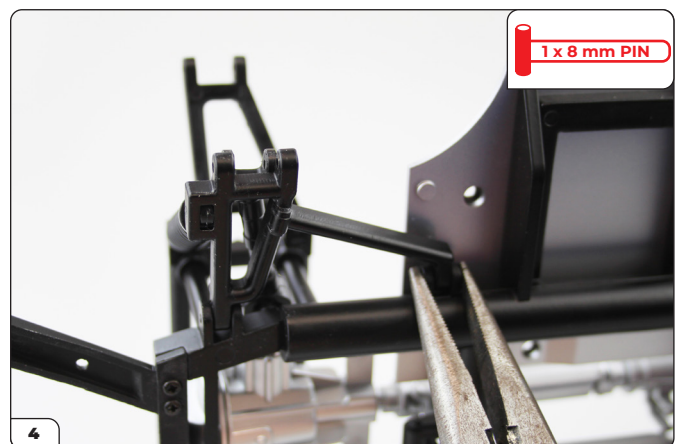
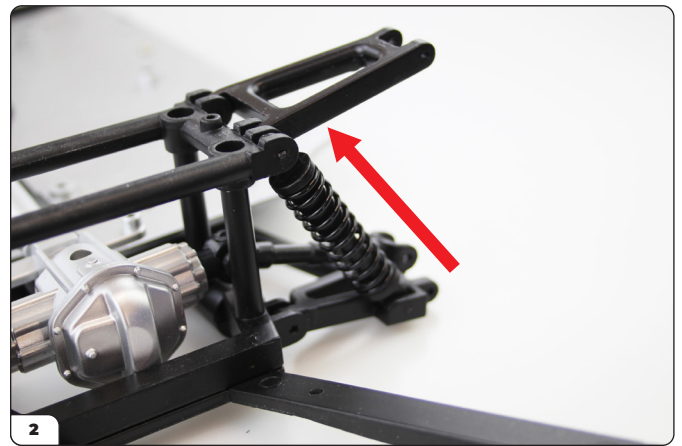


Stage 32: Rear Right Lower Control Arm

STEP 3

FIX THE REAR LOWER ARM TO THE CHASSIS

Slide the Spring onto the Piston. Insert the Piston into the Cylinder, keeping the Spring on the outside of the Cylinder. Carefully turn the Chassis onto its side. Align the fixings on the Lower Arm with the fixing brackets on the chassis. Secure in place with 2 x TYPE 8 mm pins.



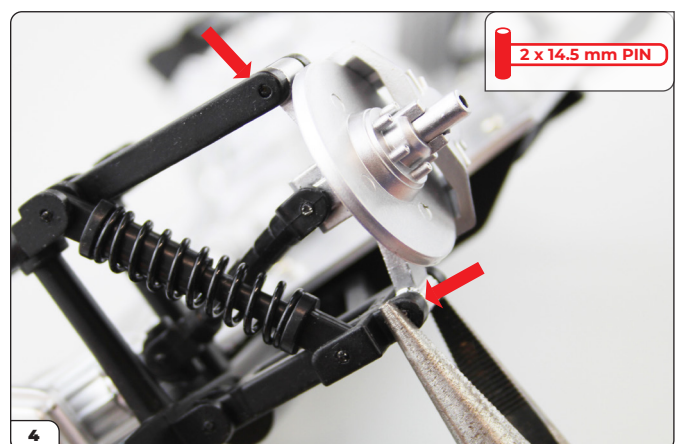
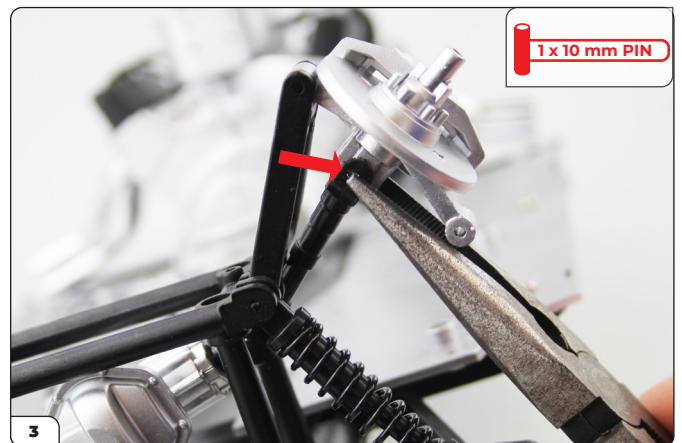
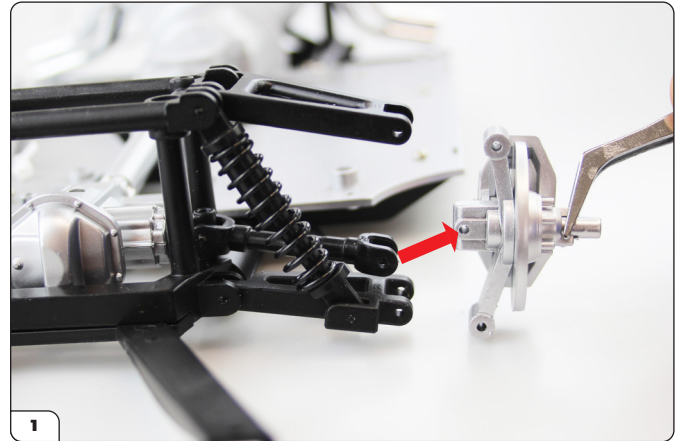
Stage 32: Rear Right Lower Control Arm

STEP 4

ATTACH THE WHEEL HUB

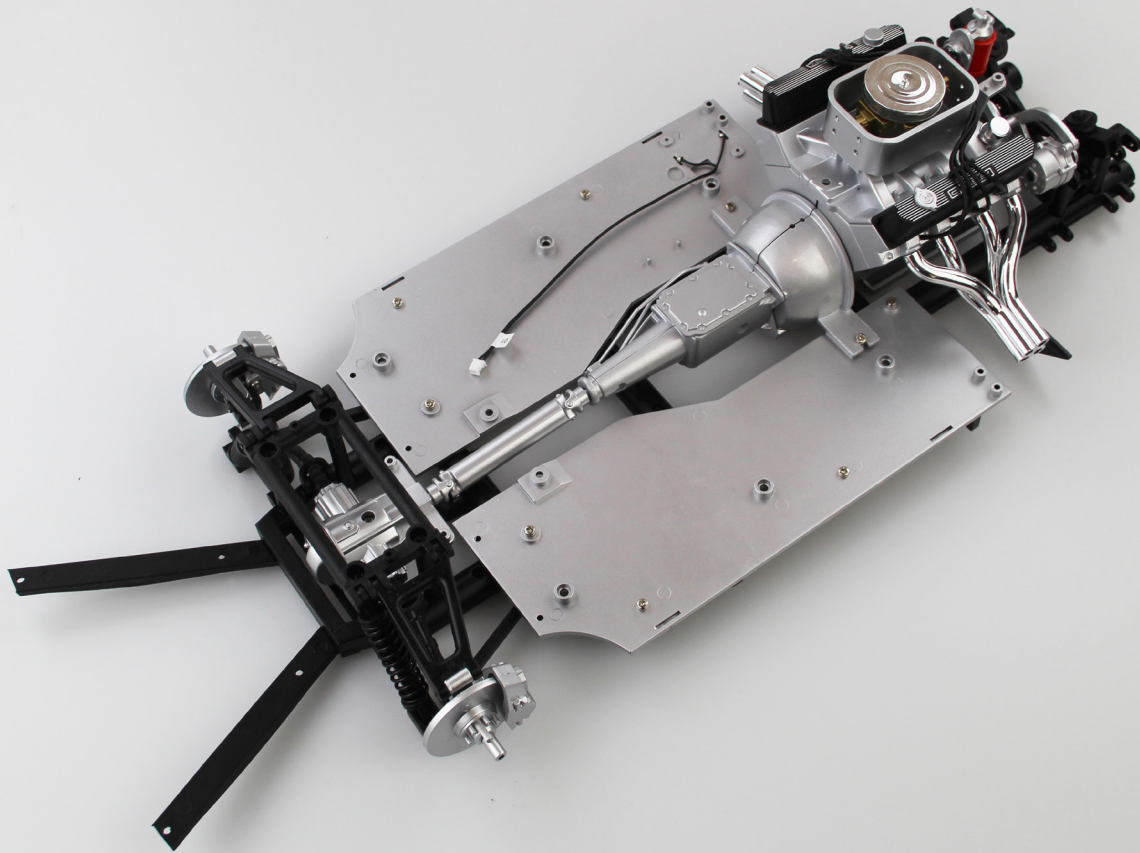
Finally, align the free end of the Right Drive Shaft with the Wheel Hub from Stage 31. Push the claw grip over the Wheel Hub. Wiggle into position and ensure that the grip tucks behind the brake caliper screw. Check that the pin holes are all aligned and push a TYPE 10 mm pin through the claw grip. Once in place, squeeze the pin with pliers to fully insert.

Fix the Upper Control Arm to the Wheel Hub bracket using a TYPE 14.5 mm pin, and finish by fixing the Lower Arm to the Wheel Hub with another TYPE 14.5 mm pin.



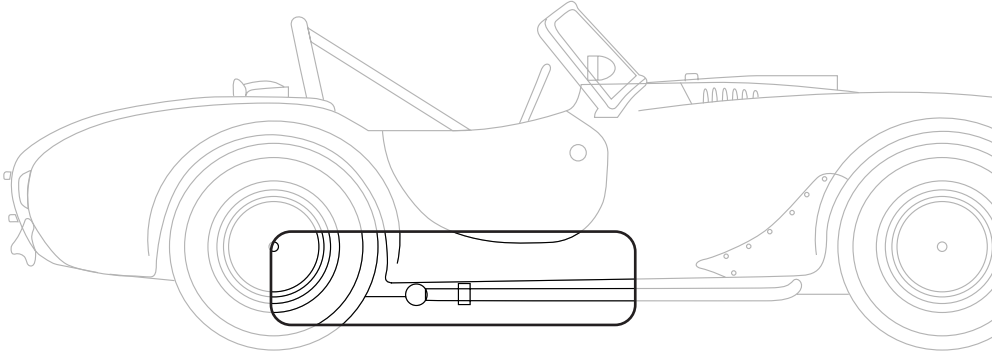
Stage 32: Rear Right Lower Control Arm

Stage 32 complete!



Stage 33: Rear Floor Panel

In stage 33 you will attach the rear floor panel.



STAGE 33 PARTS LIST

Name	Quantity
Rear Floor Panel	1
Screws TYPE OP08	7 [including 1 spare]
Screws TYPE OD05	3 [including 1 spare]

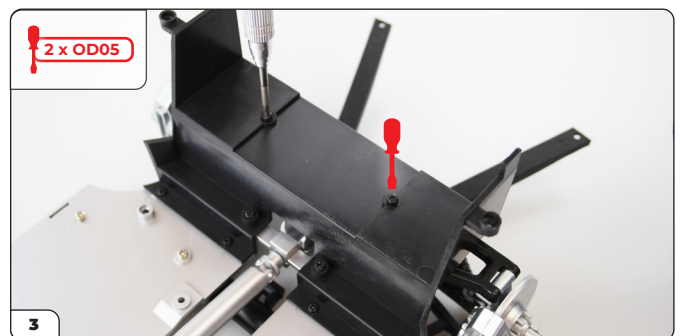
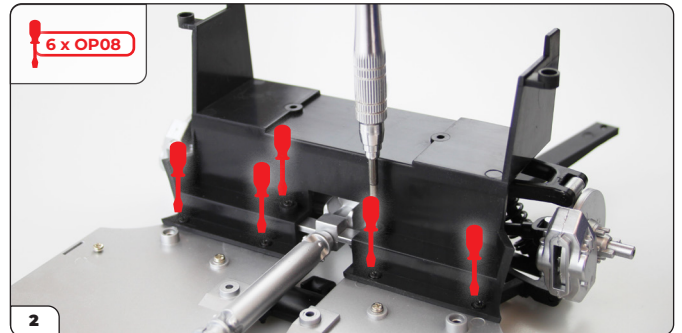
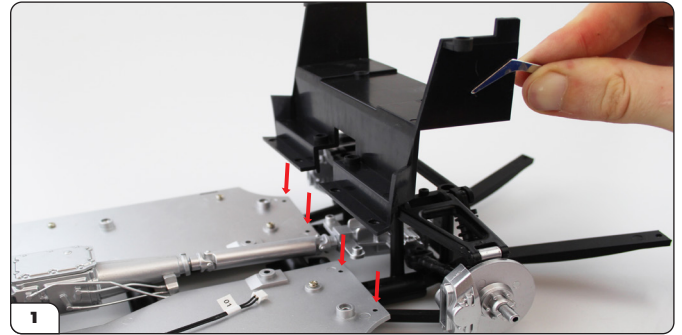


Stage 33: Rear Floor Panel

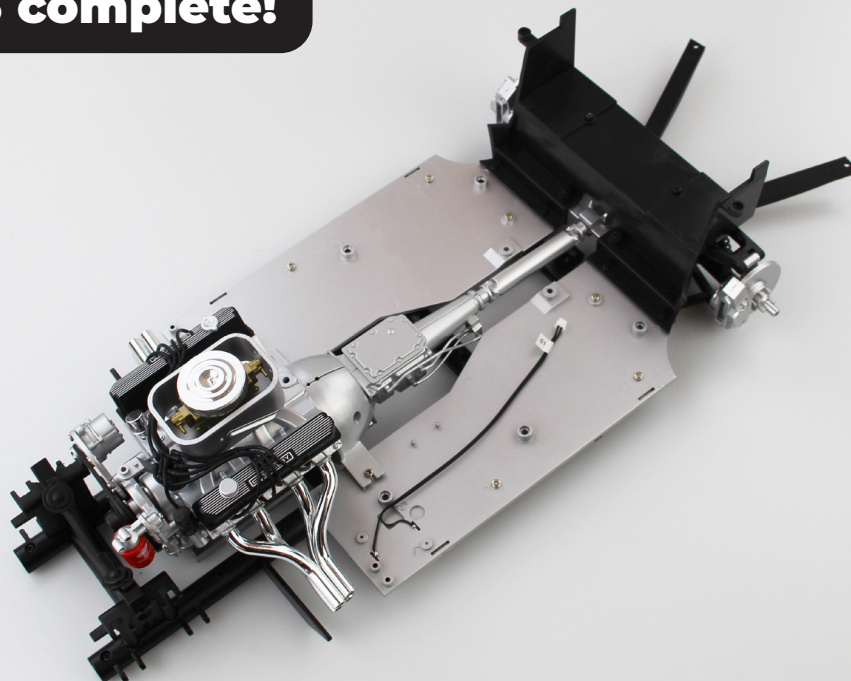
STEP 1

ATTACH THE REAR FLOOR PANEL

Lower the Rear Floor Panel onto the Left and Right Floor Panels. Ensure that the two posts on the top of the Rear Upper Suspension Arm Holder fit inside the holes in the Rear Floor Panel. Fix in place using 4 x TYPE OP08 screws to the floor plate. Then push the Rear Differential Housing up and fix it to the Rear Floor Panel with another 2 x TYPE OP08 screws. Finally, screw in 2 x OD05 screws as shown.

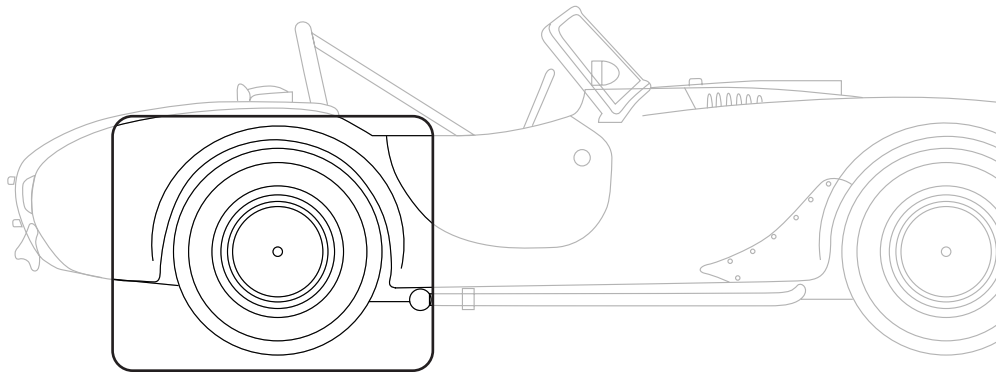


Stage 33 complete!



Stage 34: Inner and Outer Wheel Rim

In stage 34 you will start to assemble the rear left wheel.



STAGE 34 PARTS LIST

Name	Quantity
Wheel	1
Rim	1
Screws TYPE OP03	5 [including 1 spare]

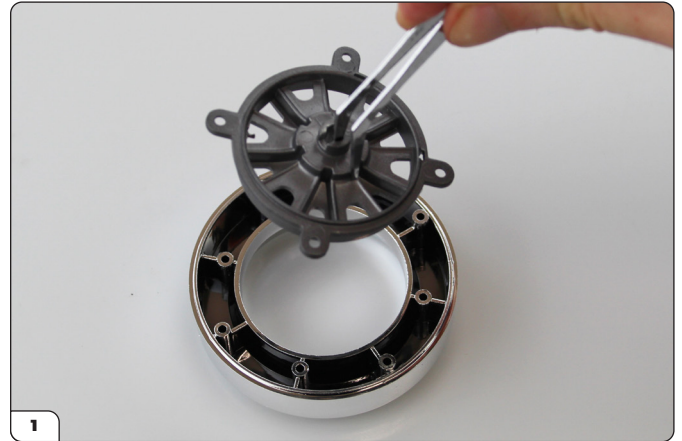


Stage 34: Inner and Outer Wheel Rim

STEP 1

FIX THE INNER RIM TO THE OUTER RIM

Hold the Inner Rim with the projecting screw holes uppermost. Place the Inner Rim inside the Outer Rim, aligning the screw holes correctly. The parts should fit flush. Fix together using 4 x TYPE OP03 screws.

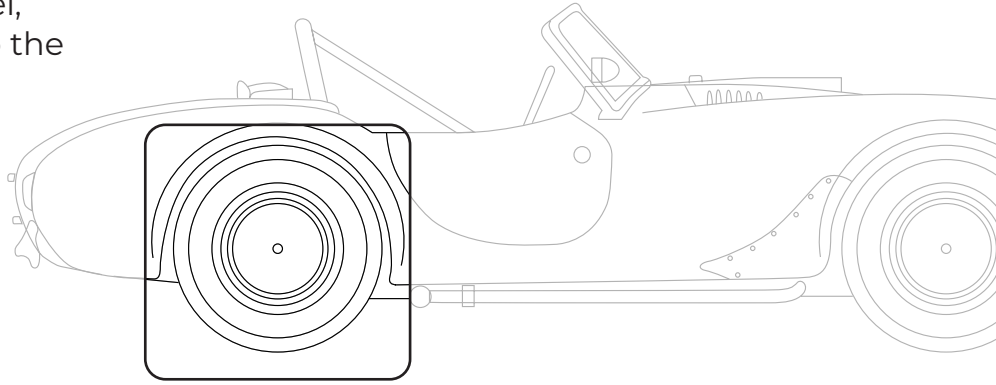


Stage 34 complete!



Stage 35: Outer Wheel Rim and Tire

In stage 35, you will continue to assemble the rear left wheel, adding the tire and fixing it to the wheel hub.



STAGE 35 PARTS LIST

Name	Quantity
Inner Rim	1
Tire	1
Screws TYPE OP03	5 [including 1 spare]
Screws TYPE OD02	2 [including 1 spare]



Stage 35: Outer Wheel Rim and Tire

STEP 1

FIX THE OUTER RIM TO THE INNER RIM

Fit the Outer Rim to the rim assembly from stage 34. Secure in place with 4 x TYPE OP03 screws.



STEP 2

FIT THE TIRE TO THE RIM

Soak the Tire in a hot water bath for 5 minutes. Remove with tweezers and fit the Rim inside the Tire. Start by pushing the Rim in horizontally, and then twist vertically, gently easing the Rim into position inside the Tire.

Refer to Stage 23 in Pack 03 for Expert Tips on fitting tires.



Stage 35: Outer Wheel Rim and Tire

STEP 3

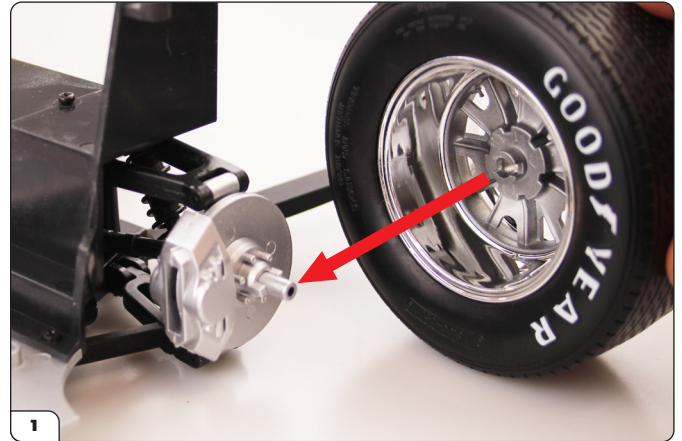
ATTACH THE WHEEL TO THE WHEEL HUB

Fit the Wheel to the Wheel Hub ensuring that the Wheel Hub anchor points fit comfortably into the notches. Fix in place from the outside using a TYPE OD02 screw. Finish by fixing the Spinner supplied with Stage 26. The Spinner is magnetic and will stay in place without screws. If the magnet is loose in the spinner you can secure it with a drop of general purpose glue.



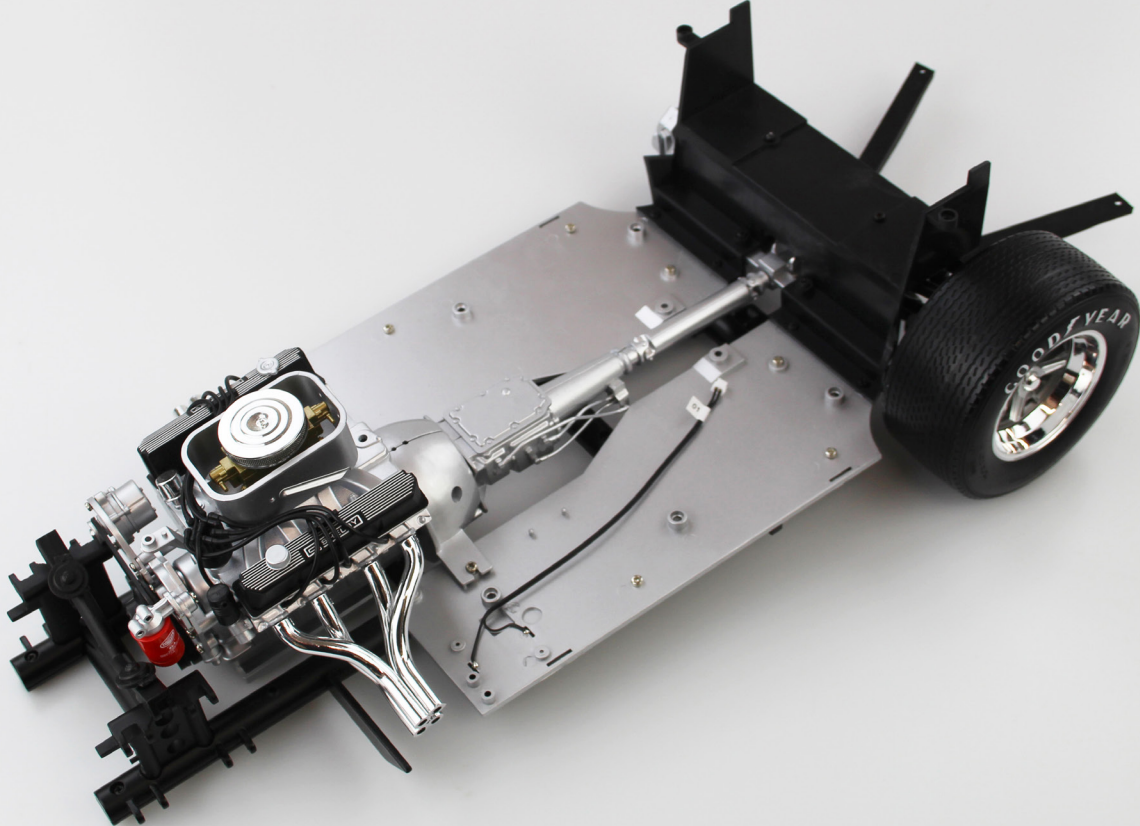
ADVICE FROM THE EXPERTS:

Add a drop of lubricant to the hole in the axle to make it easier to drive the screw in.



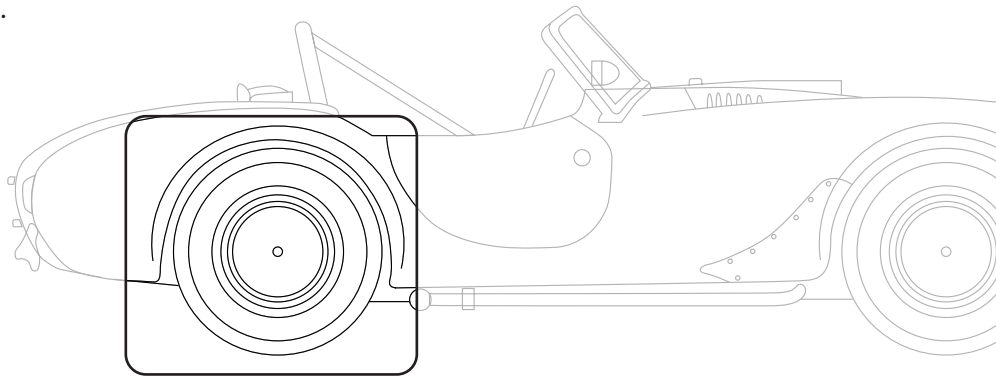
Stage 35: Outer Wheel Rim and Tire

Stage 35 complete!



Stage 36: Inner and Outer Wheel Rim

In stage 36, you will start to assemble the rear right wheel.



STAGE 36 PARTS LIST

Name	Quantity
Rear Right Outer Rim	1
Rear Right Wheel	1
Screws TYPE OP03	5 [including 1 spare]

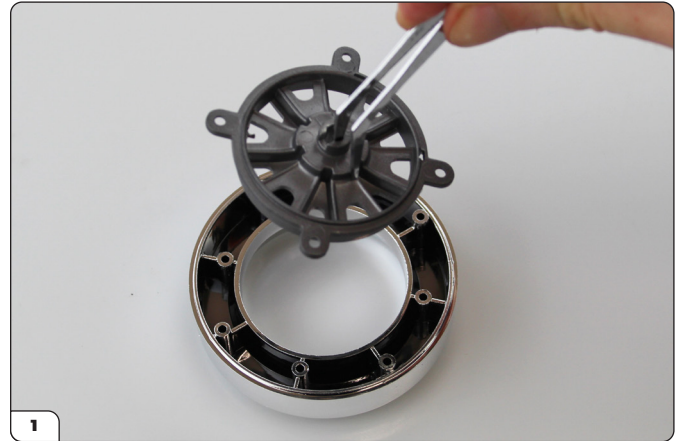


Stage 36: Inner and Outer Wheel Rim

STEP 1

FIX THE INNER RIM TO THE OUTER RIM

Hold the Inner Rim with the projecting screw holes uppermost. Place the Inner Rim inside the Outer Rim, aligning the screw holes correctly. The parts should fit flush. Fix together using 4 x TYPE OP03 screws.

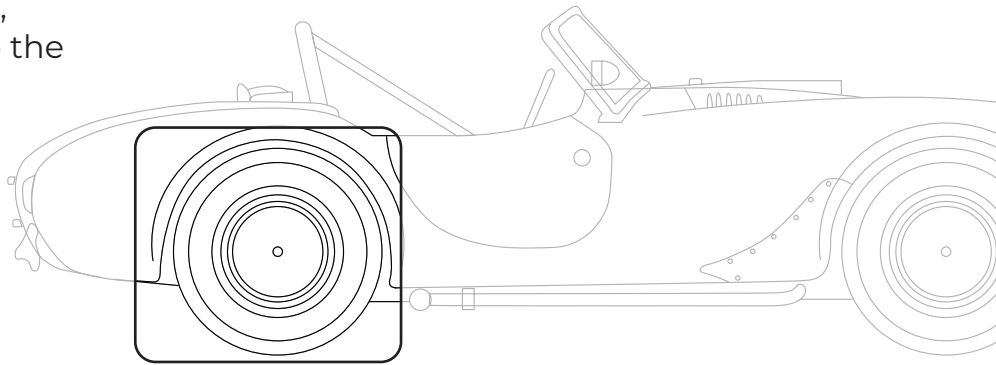


Stage 36 complete!



Stage 37: Outer Wheel Rim and Tire

In stage 37, you will continue to assemble the rear right wheel, adding the tire and fixing it to the wheel hub.



STAGE 37 PARTS LIST

Name	Quantity
Rear Left Inner Rim	1
Tire	1
Screws TYPE OP03	5 [including 1 spare]
Screws TYPE OD02	2 [including 1 spare]



Stage 37: Outer Wheel Rim and Tire

STEP 1

FIX THE OUTER RIM TO THE INNER RIM

Fit the Outer Rim to the rim assembly from stage 36. Secure in place with 4 x TYPE OP03 screws.



STEP 2

FIT THE TIRE TO THE RIM

Soak the Tire in a hot water bath for 5 minutes. Remove with tweezers and fit the Rim inside the Tire. Start by pushing the Rim in horizontally, and then twist vertically, gently easing the Rim into position inside the Tire.

Refer to Stage 23 in Pack 03 for Expert Tips on fitting tires.



Stage 37: Outer Wheel Rim and Tire

STEP 3

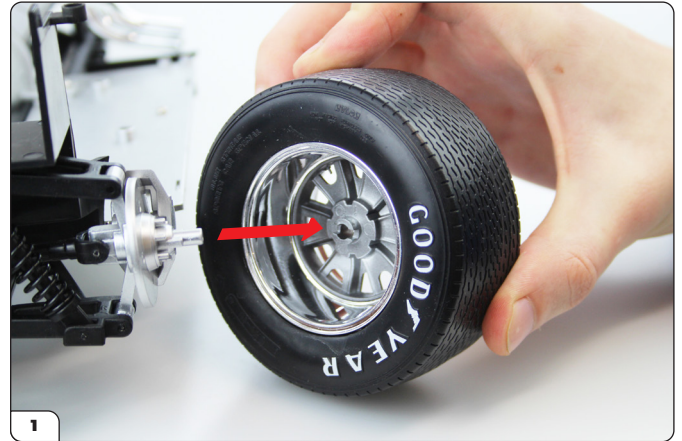
ATTACH THE WHEEL TO THE WHEEL HUB

Fit the Wheel to the Wheel Hub ensuring that the Wheel Hub anchor points fit comfortably into the notches. Fix in place from the outside using a TYPE OD02 screw. Finish by fixing the Spinner supplied with Stage 31. The Spinner is magnetic and will stay in place without screws. If the magnet is loose in the spinner you can secure it with a drop of general purpose glue.

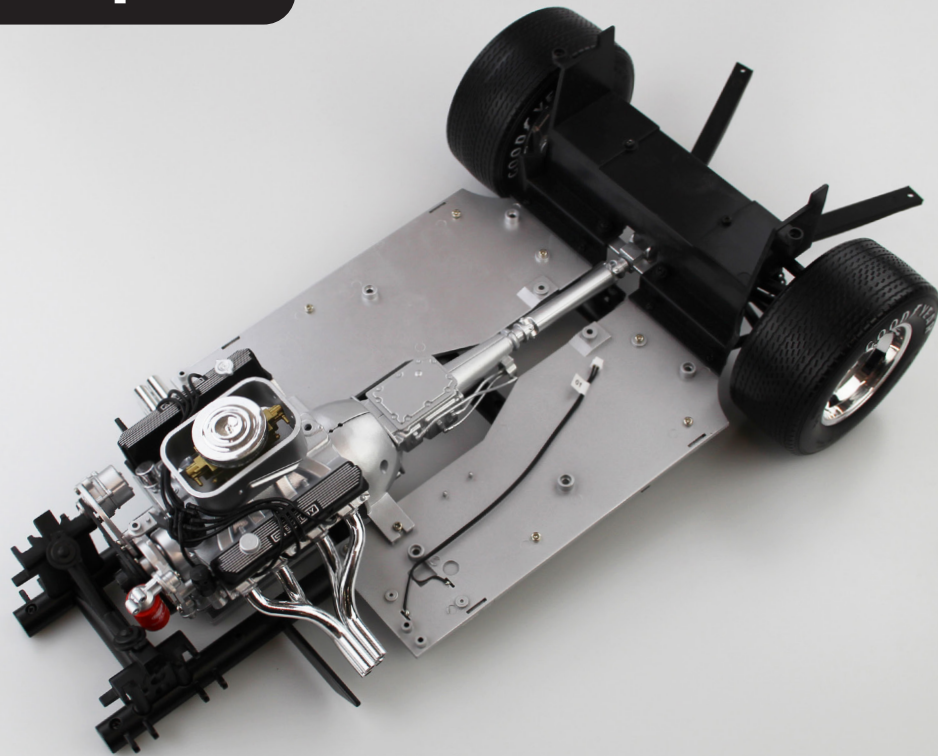


ADVICE FROM THE EXPERTS:

Add a drop of lubricant to the hole in the axle to make it easier to drive the screw in.

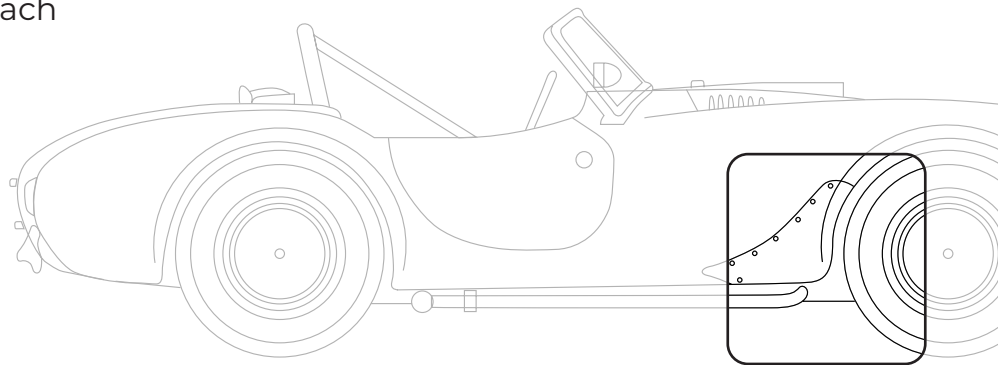


Stage 37 complete!



Stage 38: Front Left Control Arms

In stage 38, you will assemble the front left control arms and attach the left front wheel.



STAGE 38 PARTS LIST

Name	Quantity
Front Left Lower Control Arm	1
Front Left Upper Control Arm	1
Spring	1
Shock Absorber Piston	1
Shock Absorber Cylinder	1
Connecting Rod	1
Pin 9 mm	4
Pin 7 mm	4

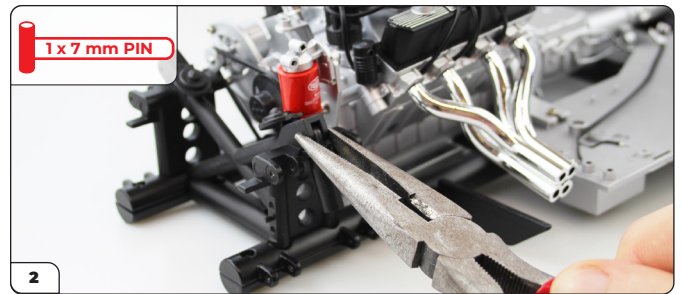
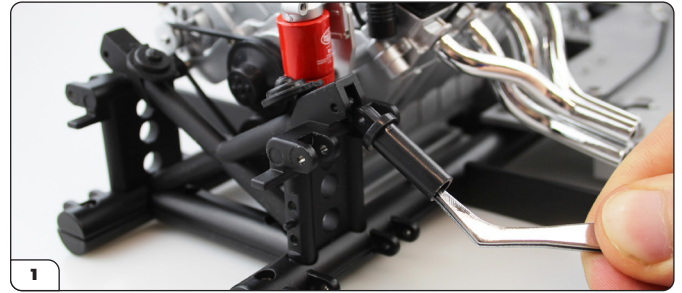


Stage 38: Front Left Control Arms

STEP 1

ATTACH THE SHOCK ABSORBER CYLINDER

Fit the Shock Absorber Cylinder from below, into position on the Front Suspension Support as shown. Fix in place with a TYPE 7 mm pin.



STEP 2

ASSEMBLE THE LOWER CONTROL ARM

Attach the Shock Absorber Piston to the Lower Control Arm as shown. Secure in place with a TYPE 7 mm pin. Attach the Connecting Rod using another TYPE 7 mm pin.

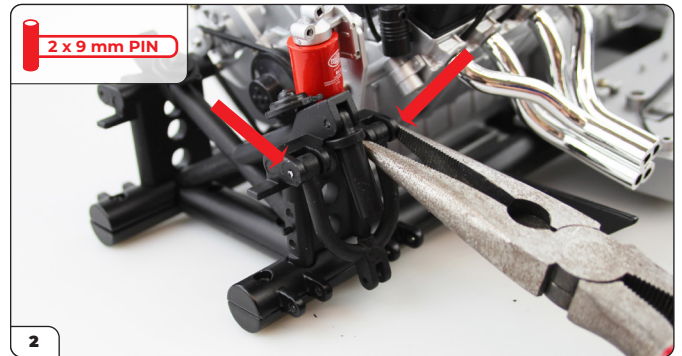
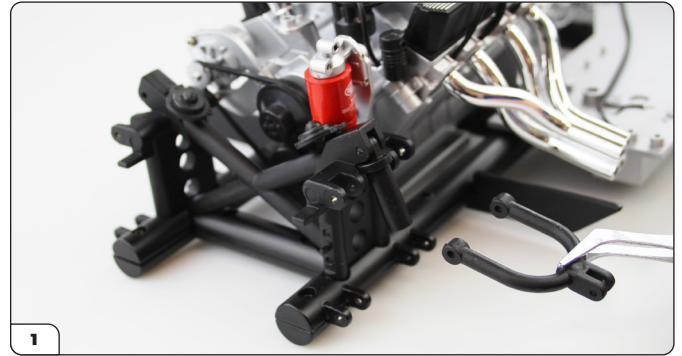


Stage 38: Front Left Control Arms

STEP 3

ATTACH THE UPPER CONTROL ARM

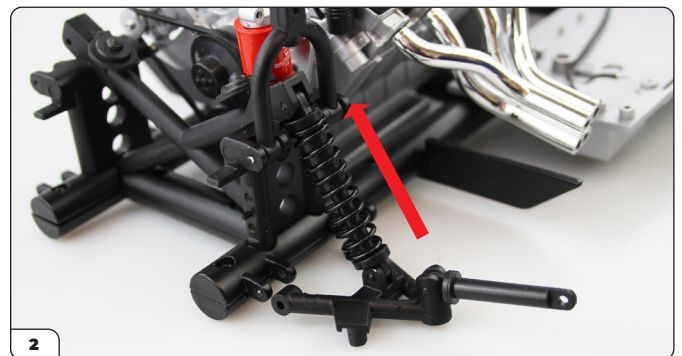
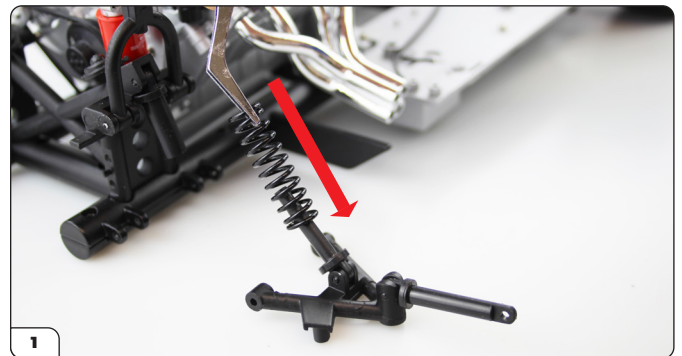
Position the Upper Control Arm on the Front Suspension Support and fix in place using 2 x TYPE 9 mm pins.



STEP 4

FIX THE REAR LOWER ARM TO THE CHASSIS

Slide the Spring onto the Piston. Insert the Piston into the Cylinder, keeping the Spring on the outside of the Cylinder. Carefully turn the Chassis onto its side. Align the fixings on the Lower Arm with the fixing brackets on the chassis. Secure in place with 2 x TYPE 9 mm pins.

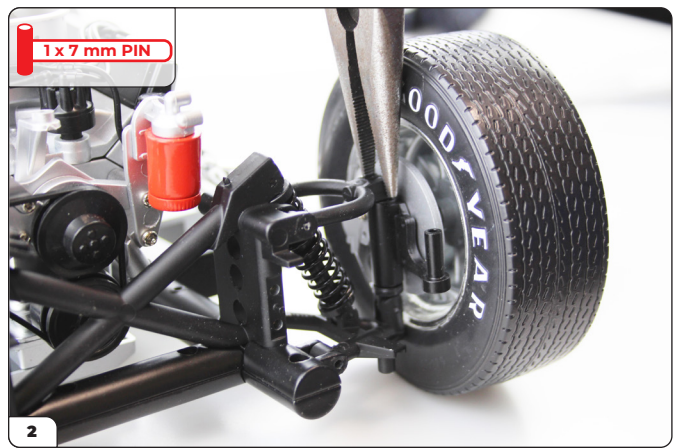
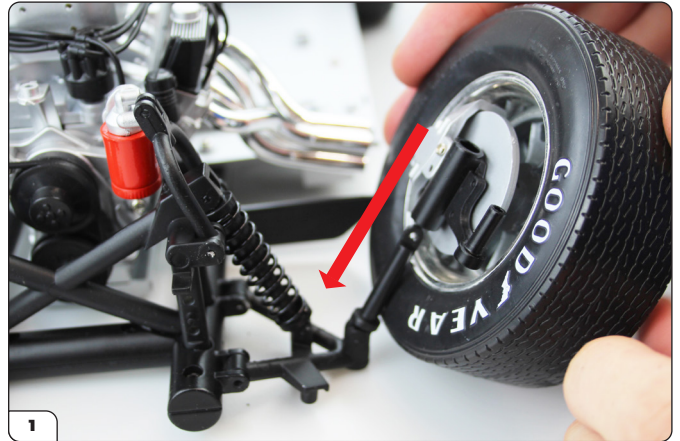


Stage 38: Front Left Control Arms

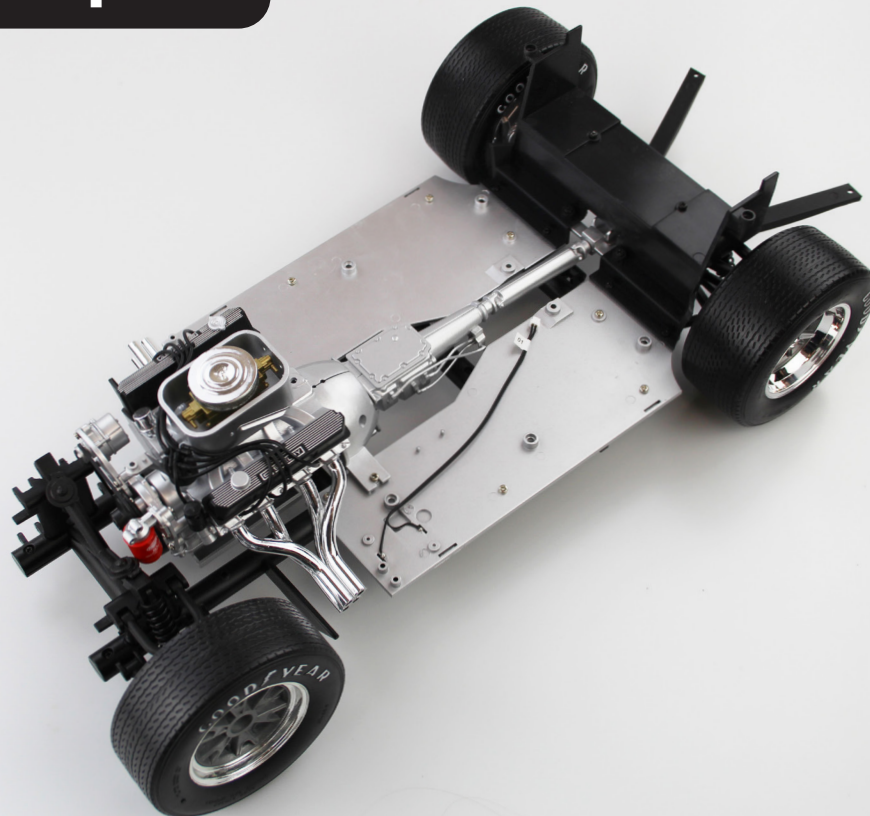
STEP 5

ATTACH THE FRONT LEFT WHEEL

Take the Front Left Wheel from Stage 02 and slide the Wheel Hub over the Connecting Rod. Secure in place with a TYPE 7 mm pin.

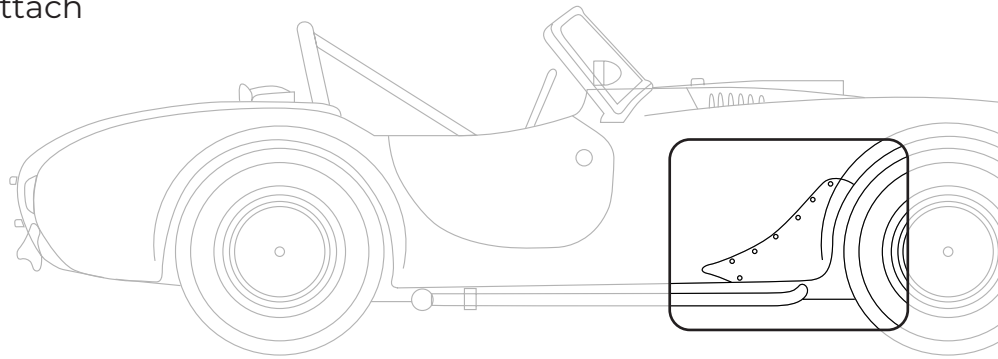


Stage 38 complete!



Stage 39: Front Right Control Arms

In stage 39, you will assemble the front right control arms and attach the front right wheel.



STAGE 39 PARTS LIST

Name	Quantity
Front Right Lower Control Arm	1
Front Right Upper Control Arm	1
Spring	1
Shock Absorber Piston	1
Shock Absorber Cylinder	1
Connecting Rod	1
Pin 9 mm	4
Pin 7 mm	4

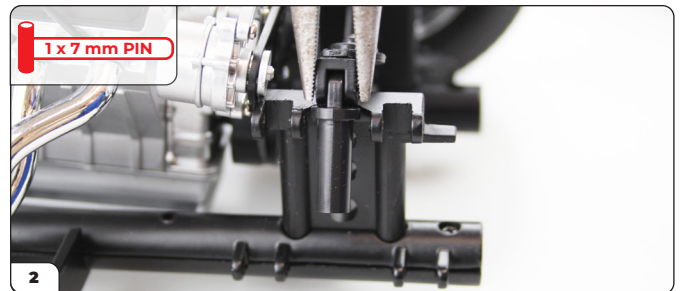
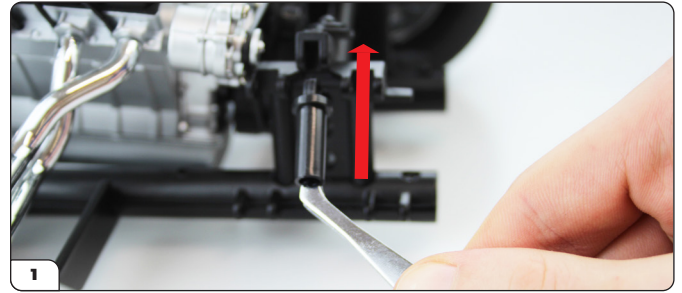


Stage 39: Front Right Control Arms

STEP 1

ATTACH THE SHOCK ABSORBER CYLINDER

Fit the Shock Absorber Cylinder from below, into position on the Front Suspension Support as shown. Fix in place with a TYPE 7 mm pin.



STEP 2

ASSEMBLE THE LOWER CONTROL ARM

Attach the Shock Absorber Piston to the Lower Control Arm as shown. Secure in place with a TYPE 7 mm pin. Attach the Connecting Rod using another TYPE 7 mm pin.

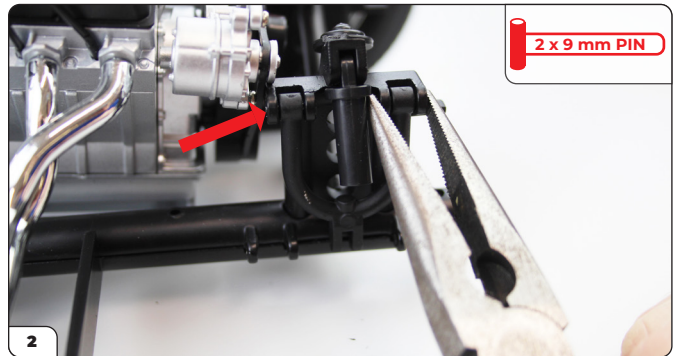
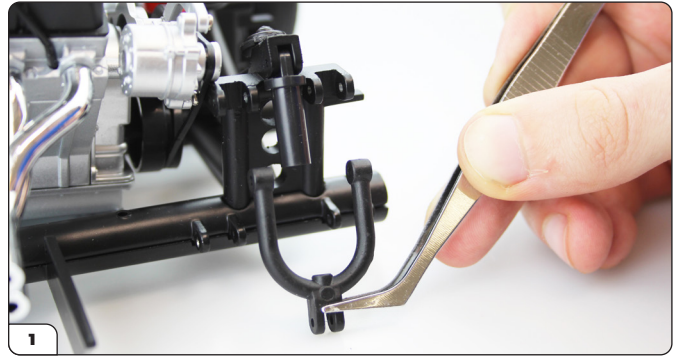


Stage 39: Front Right Control Arms

STEP 3

ATTACH THE UPPER CONTROL ARM

Position the Upper Control Arm on the Front Suspension Support and fix in place using 2 x TYPE 9 mm pins



STEP 4

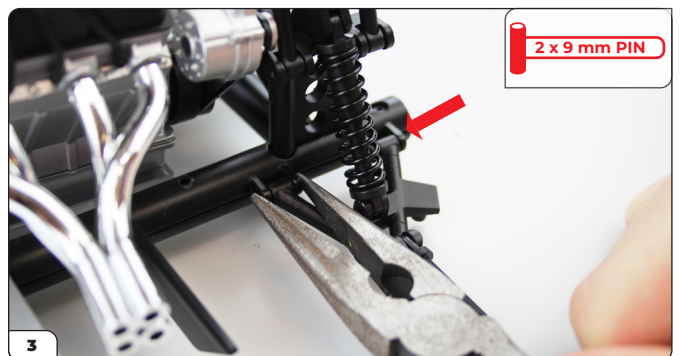
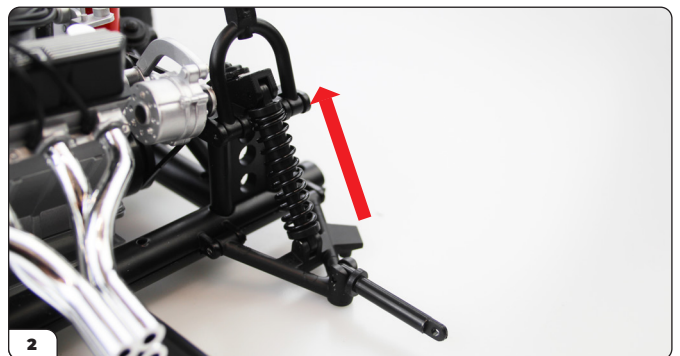
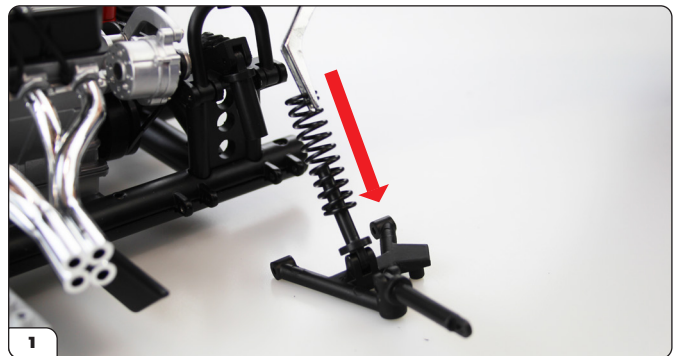
FIX THE REAR LOWER ARM TO THE CHASSIS

Slide the Spring onto the Piston. Insert the Piston into the Cylinder, keeping the Spring on the outside of the Cylinder. Carefully turn the Chassis onto its side. Align the fixings on the Lower Arm with the fixing brackets on the chassis. Secure in place with 2 x TYPE 9 mm pins.



ADVICE FROM THE EXPERTS:

Ensure that the upper control arm is lifted up when you fix the shock absorber.

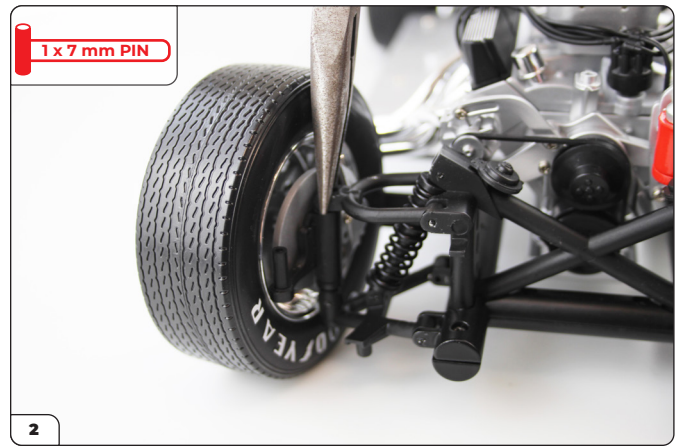


Stage 39: Front Right Control Arms

STEP 5

ATTACH THE FRONT RIGHT WHEEL

Take the Front Right Wheel from Stage 23 and slide the Wheel Hub over the Connecting Rod. Secure in place with a TYPE 7 mm pin.

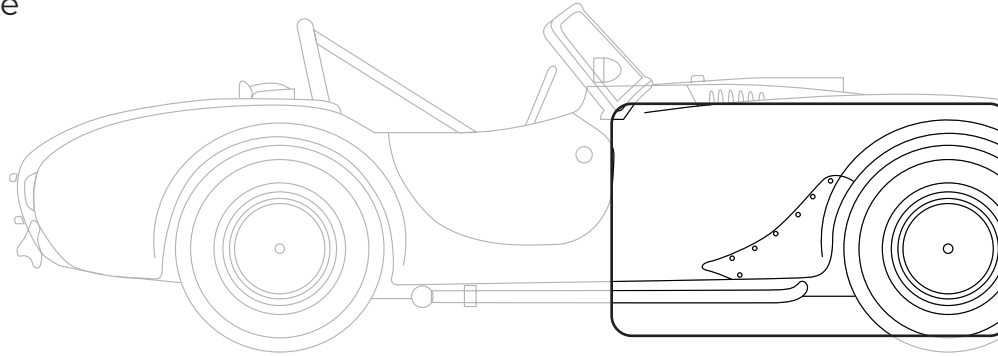


Stage 39 complete!



Stage 40: Front Fender Liners & Airflow Intake Panel

In stage 40, you will attach the front fender liners and airflow intake panel.



STAGE 40 PARTS LIST

Name	Quantity
Front Left Fender Liner	1
Front Right Fender Liner	1
Airflow Intake Panel	1
Screws TYPE OD05	3 [including 1 spare]
Screws TYPE OP08	7 [including 1 spare]
Screws TYPE OD03	3 [including 1 spare]

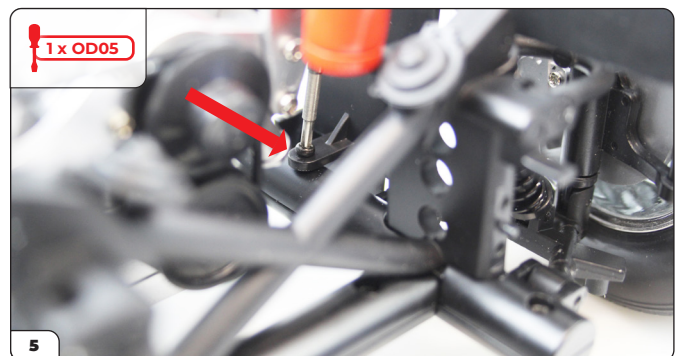
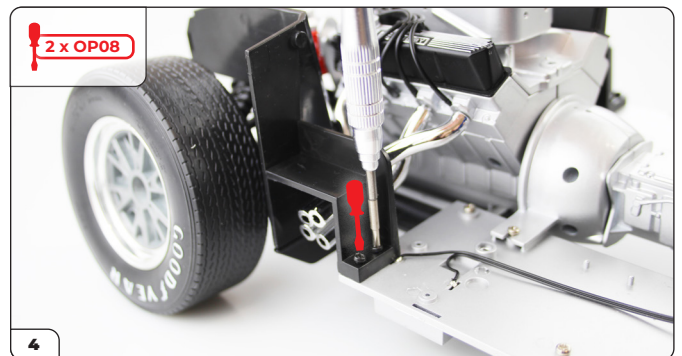
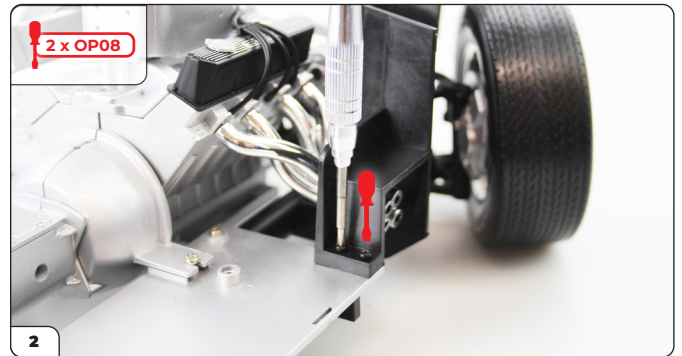
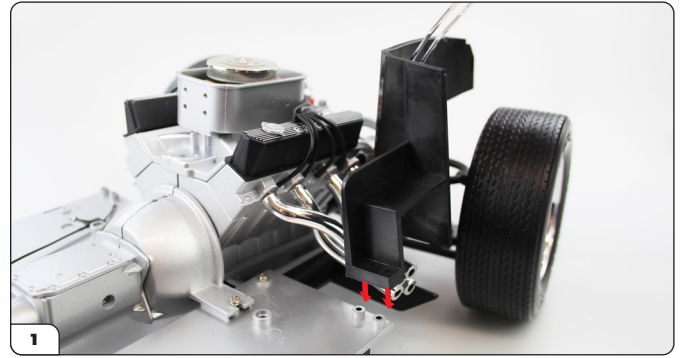


Stage 40: Front Fender Liners & Airflow Intake Panel

STEP 1

ATTACH THE FRONT FENDER LINERS

Lower the Front Right Fender Liner onto the Floor Panel as shown. Check the screw holes on the Fender Liner also align with the screw holes on the chassis frame (see picture 3). Fix in place using 2 x TYPE OP08 screws and 1 x TYPE OD05 screw. Repeat on the left side to attach the Front Left Fender Liner.



Stage 40: Front Fender Liners & Airflow Intake Panel

STEP 2

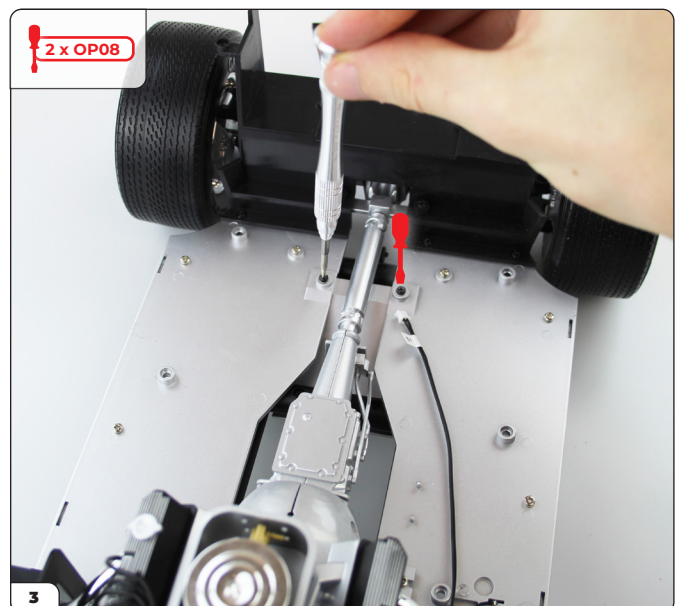
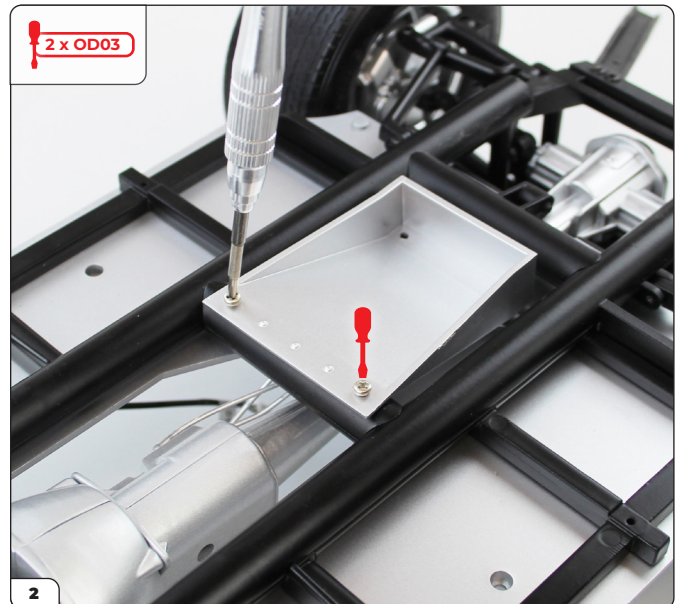
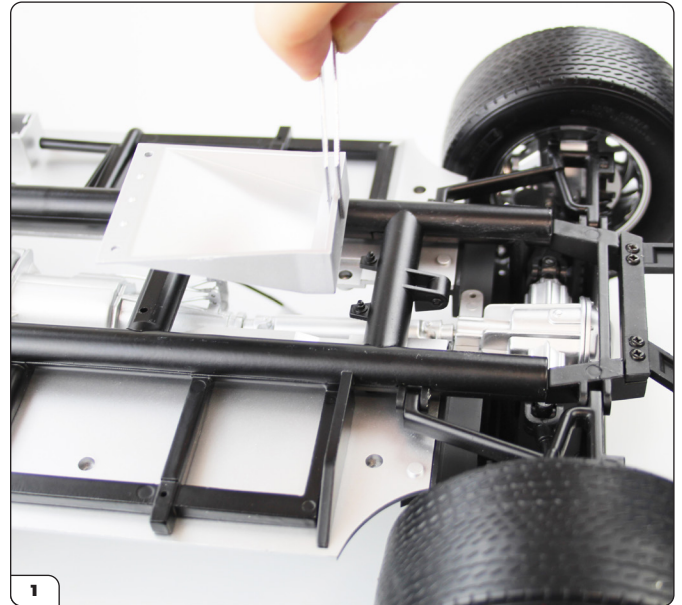
ATTACH THE AIRFLOW INTAKE PANEL

Turn the chassis upside down on your work surface. Lower the Airflow Intake Panel into position on the chassis, aligning the screw holes. Secure in place using 2 x TYPE OD03 screws. Turn the chassis back over and finish securing the Panel in place using 2 x TYPE OP08 screws.



ADVICE FROM THE EXPERTS:

Be careful not to damage the engine when the model is upside down.



Stage 40: Front Fender Liners & Airflow Intake Panel

Stage 40 complete!

