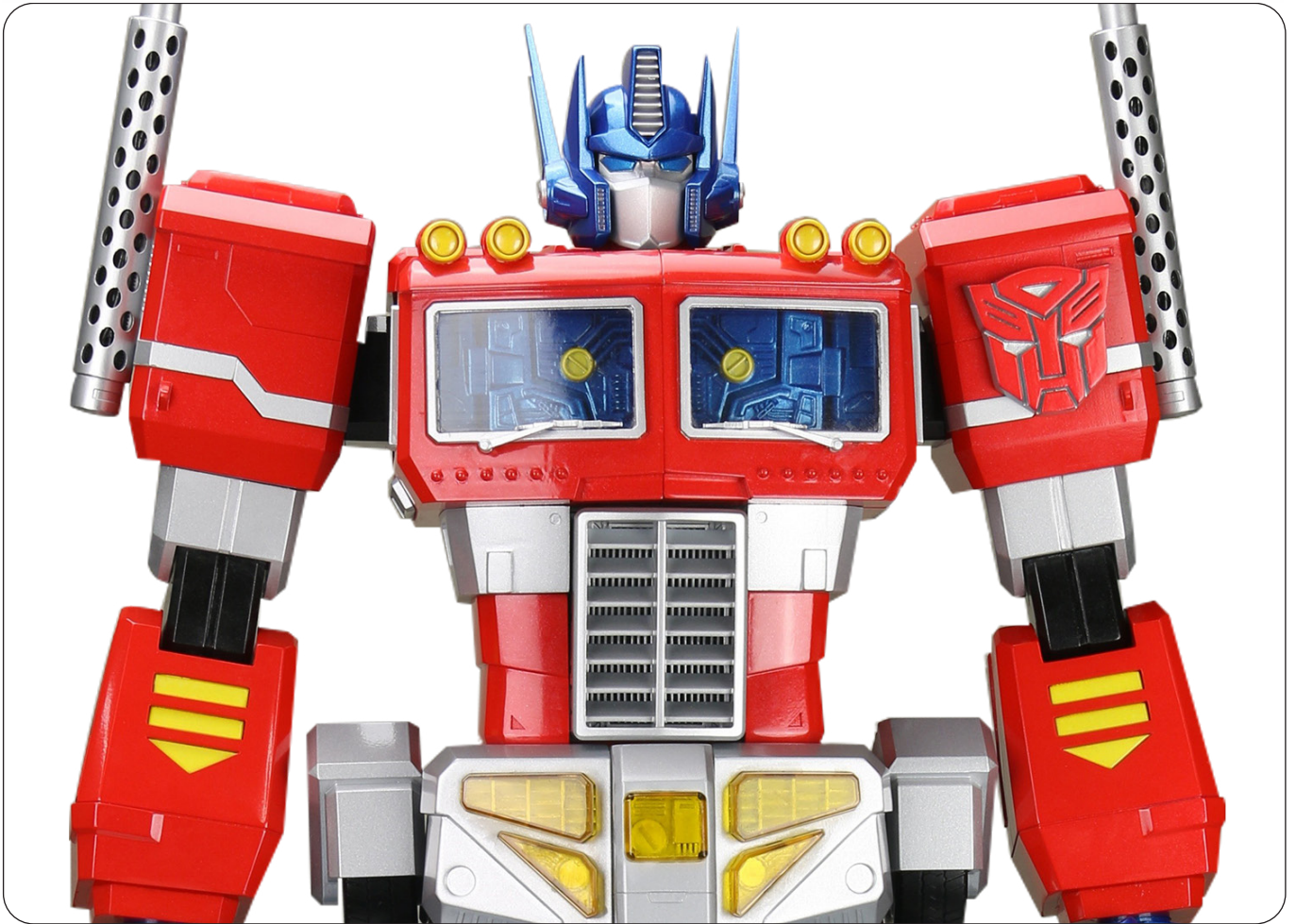


# OPTIMUS PRIME



# Pack 12 Blaster

BUILD INSTRUCTIONS

**AGORA**  
MODELS®

# Advice from the experts

---

 **Please keep ALL unused screws as they may be required in a later stage.**

Please make sure you don't mix up the screws. They look quite similar, but the threads do vary slightly. Using the wrong screws may damage the parts.

When securing parts together using multiple screws, fit each screw loosely to ensure all the parts are correctly aligned before gently tightening them firmly, but not overtight, in the order in which you placed them.

The screwdriver can be magnetized by stroking it with a magnet (fridge magnet, etc.) enabling it to hold the screws and make assembly easier.

If a screw is tight going into a metal part, do not force it as you may shear the head off. Remove it and put a tiny smear of Vaseline, soap or light oil on the thread. That will lubricate it and make it easier to drive home.

Some parts will require a little glue for assembly. Please apply glue sparingly and use a cocktail stick so that you don't use too much nor apply the glue too heavily. We recommend superglue gel or Extra Thin Liquid modeling glue. Where possible, parts should be test-fitted in place before gluing.



Look out for the glue symbol and apply glue to the red area indicated in the picture.

During the course of this build, you will receive many pieces that you will assemble immediately – following the instructions in the corresponding stage – and other pieces that you should store in the tray supplied, for use in future assembly stages.

Always protect the paint finish on components by placing a cutting mat, sheet of white paper or soft cloth on your work surface.

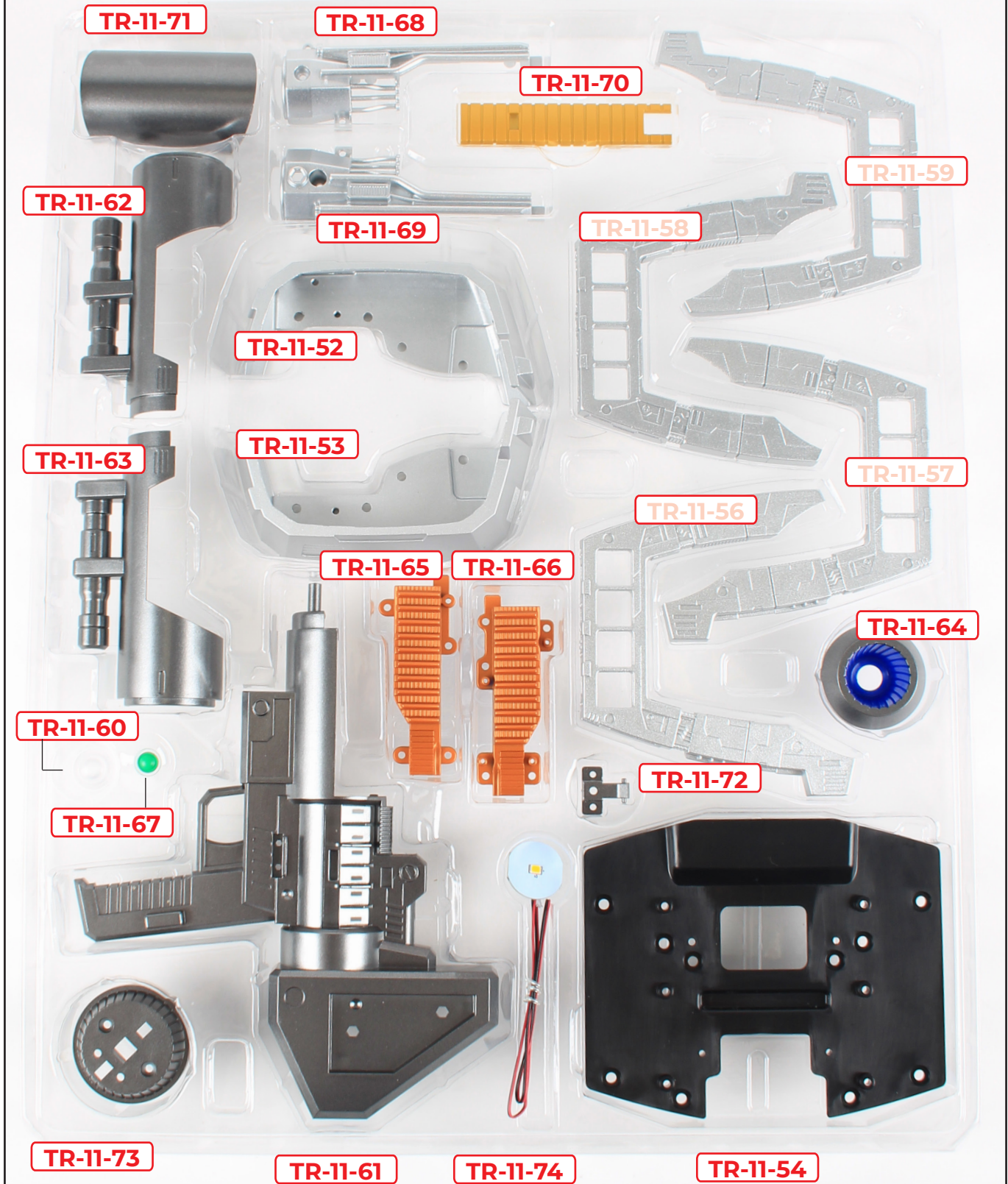
Left and Right! When building your Optimus Prime, the left or right hand side refers to each side as viewed by Optimus Prime. Optimus Prime's left arm is on the viewer's right.



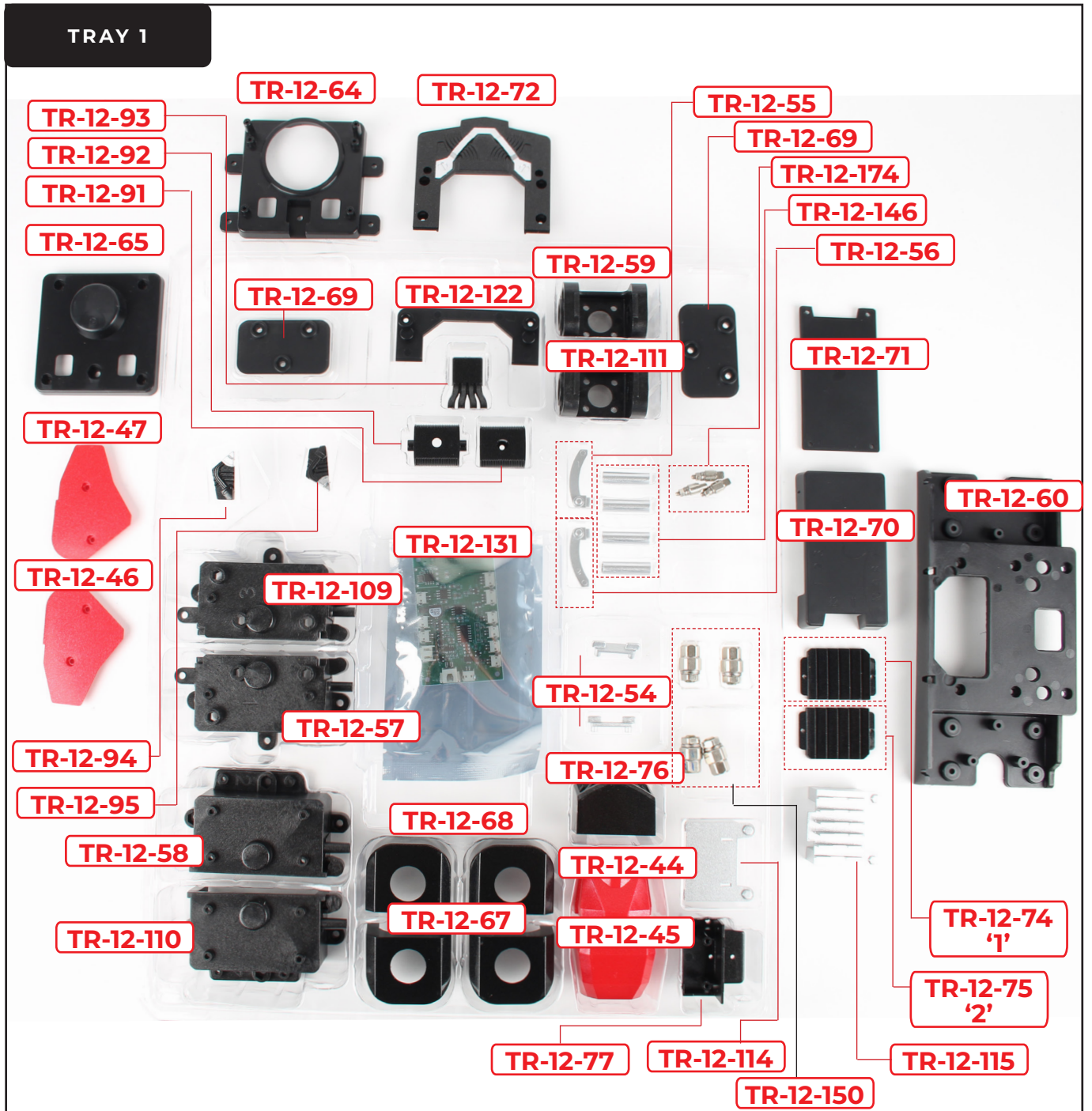
**WARNING:** Some parts are assembled using magnets. These magnets can cause serious injury if they are swallowed. Keep away from children. If you suspect a magnet has been swallowed, seek medical help straight away.

# Pack 11 Parts for the Blaster

TRAY 3

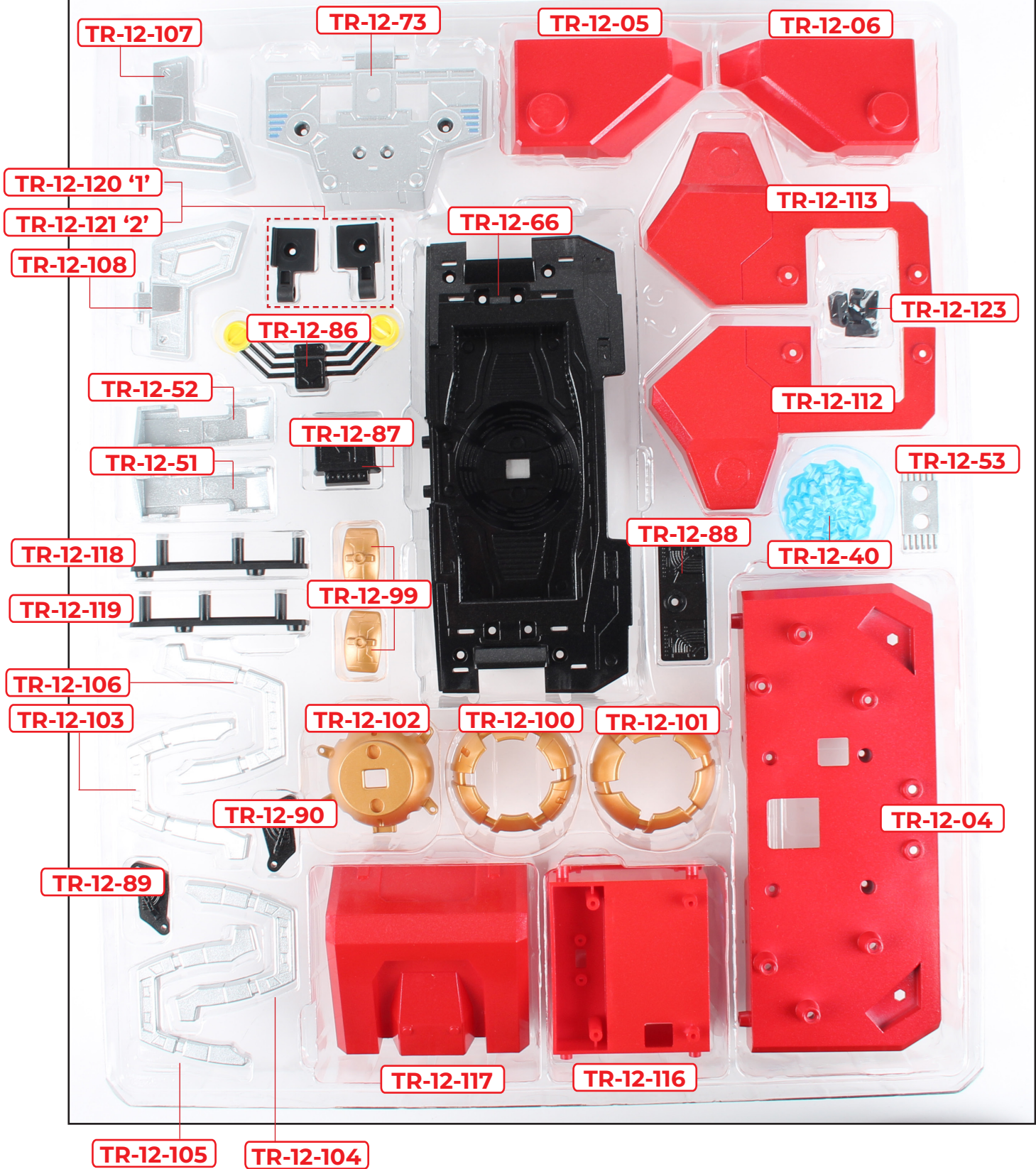


# Pack 12 Parts



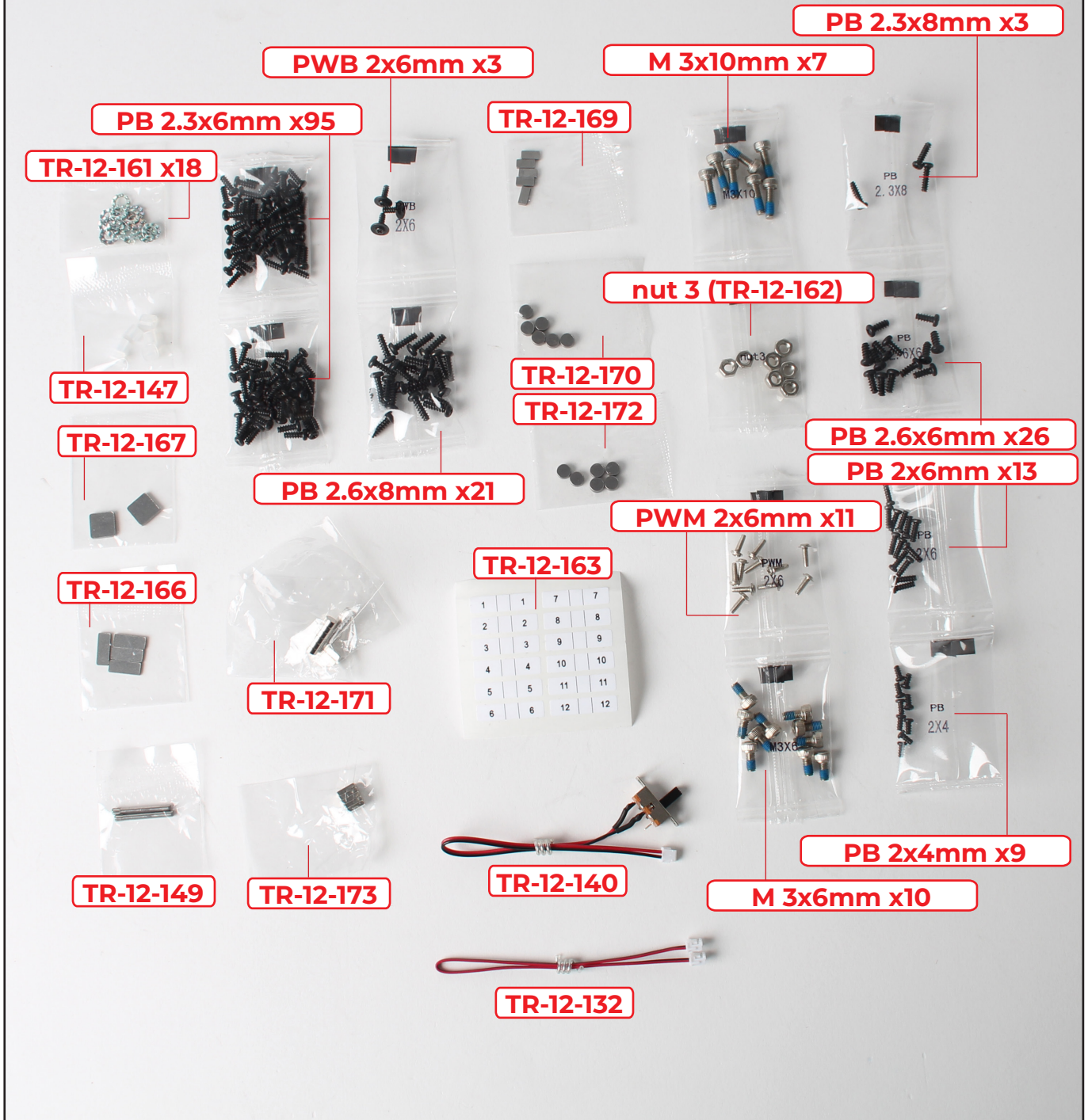
# Pack 12 Parts

TRAY 2



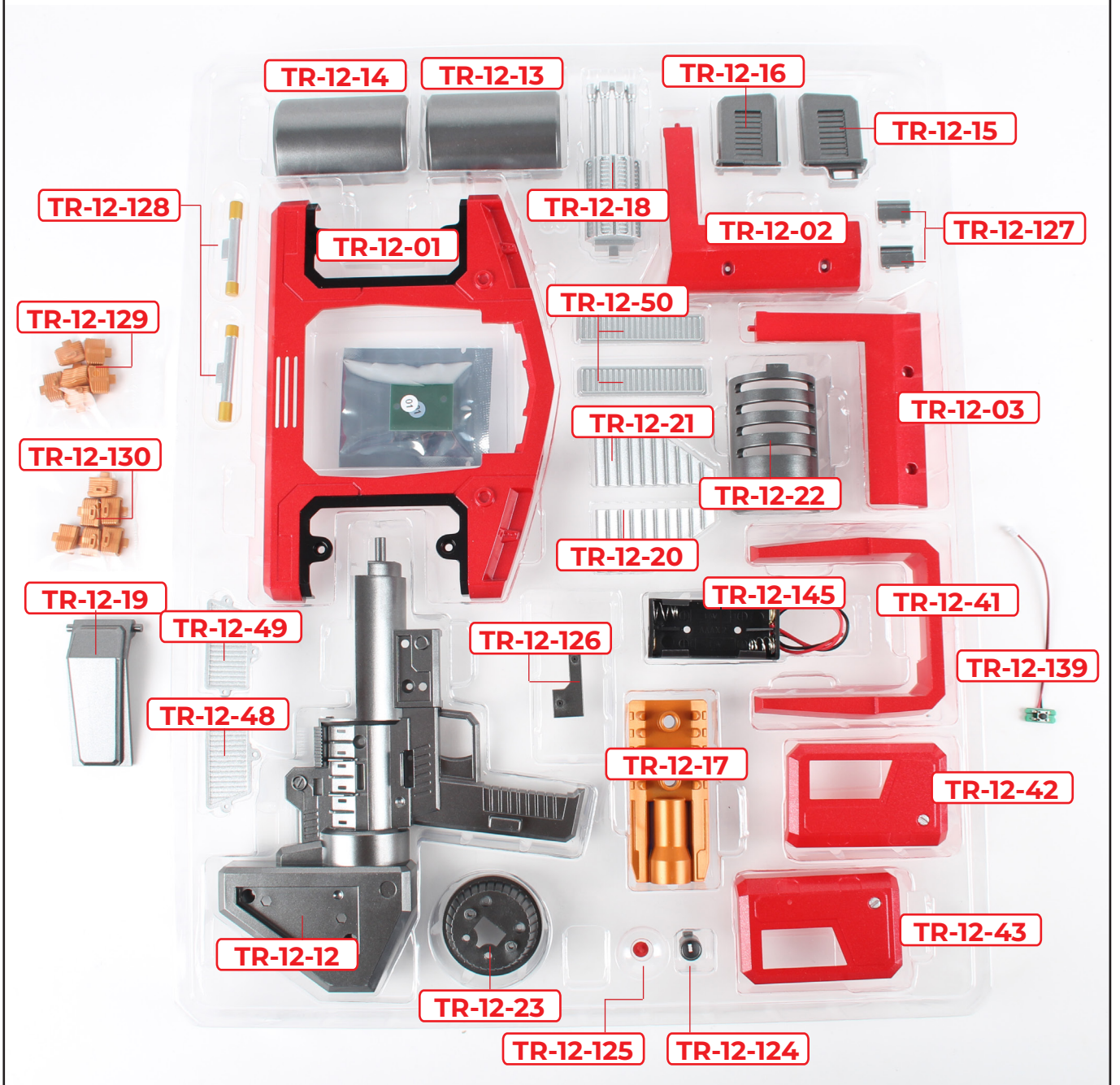
# Pack 12 Parts

TRAY 2: Continued...

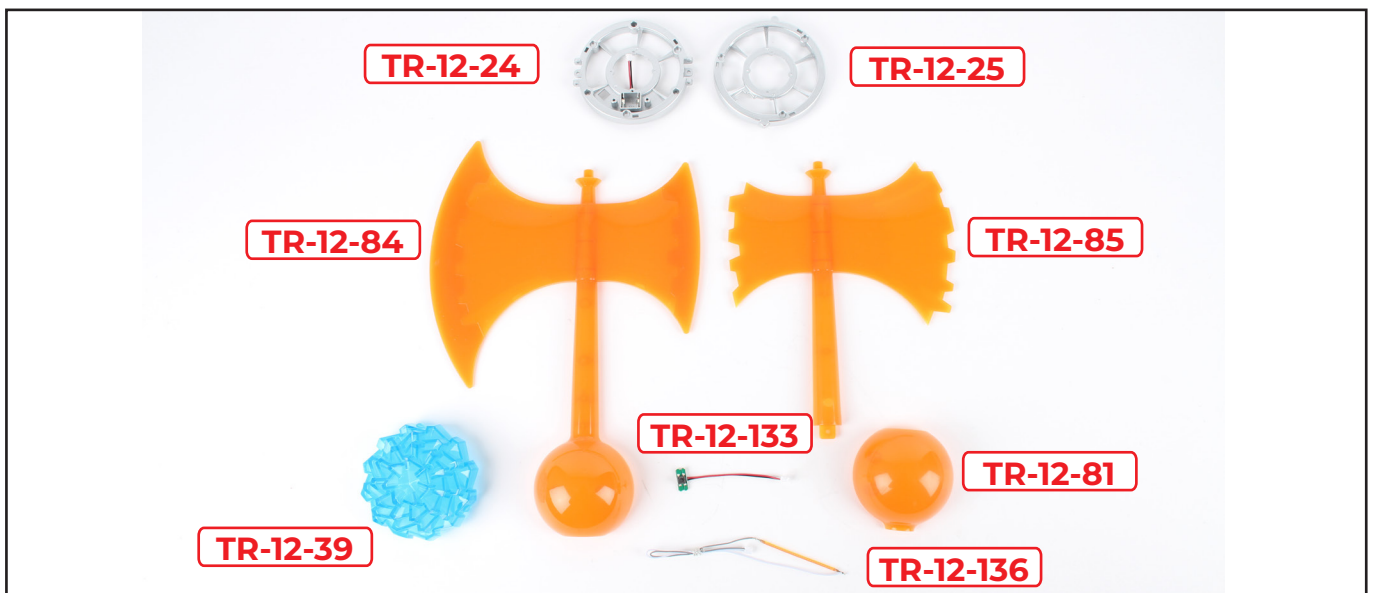
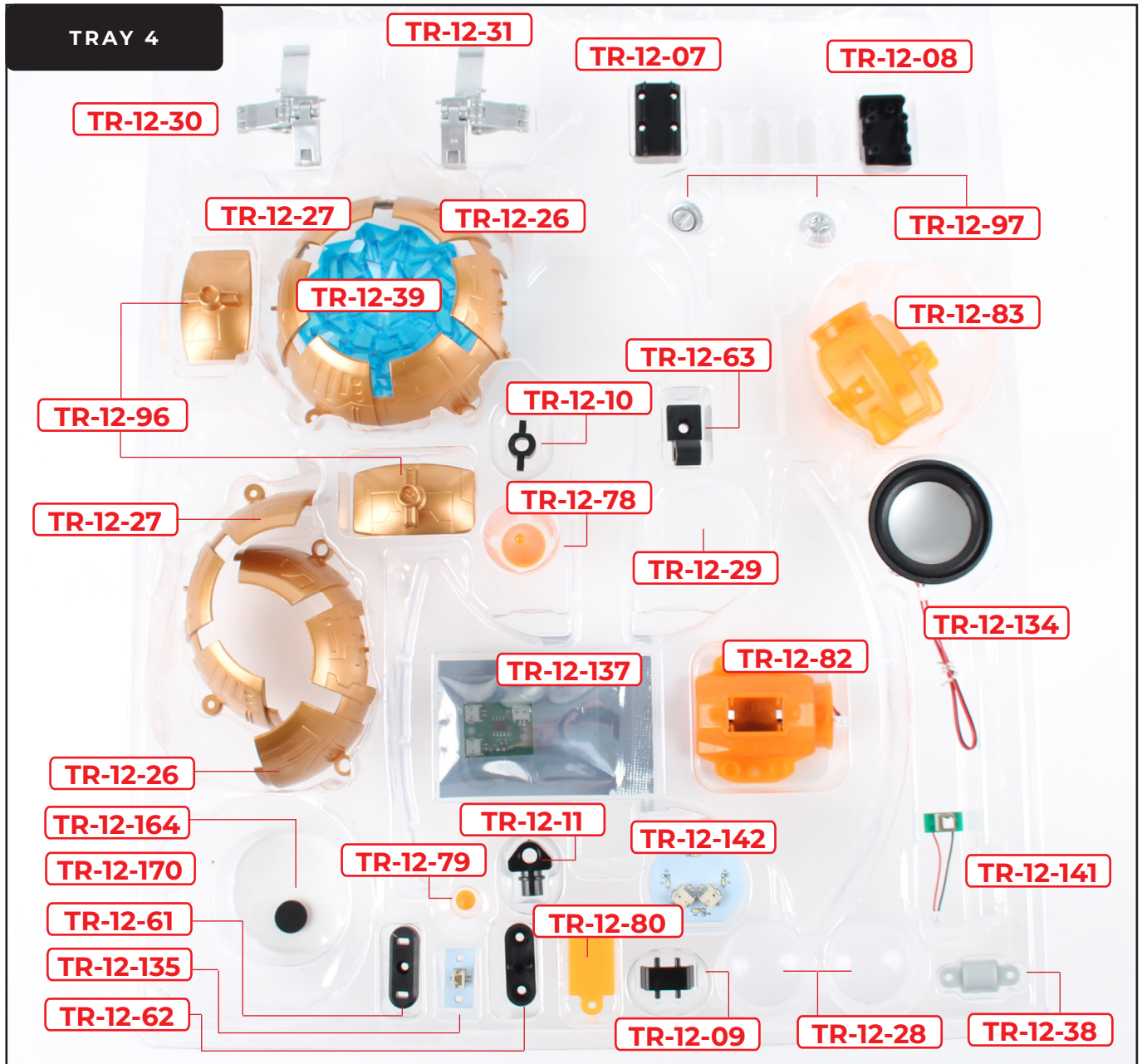


# Pack 12

## TRAY 3

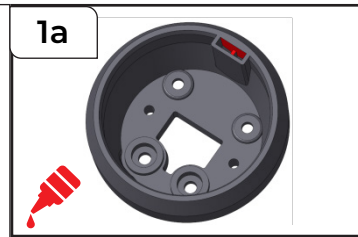
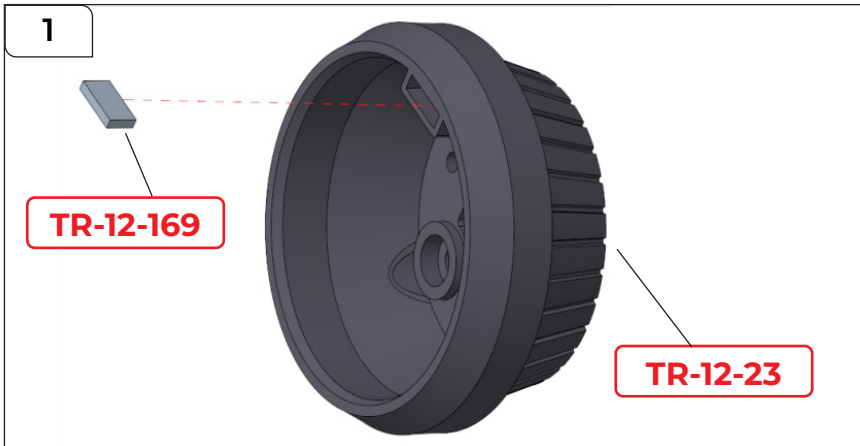


# Pack 12 Parts





# Assembling the Blaster

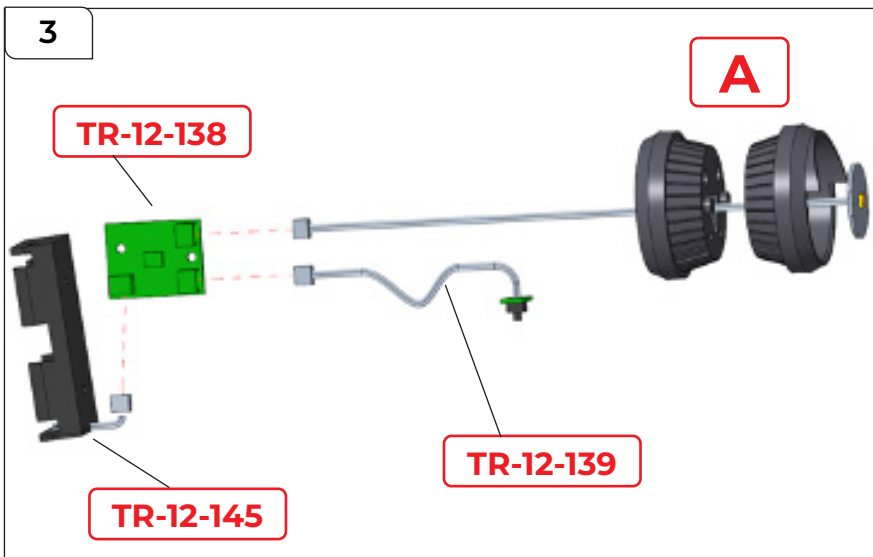
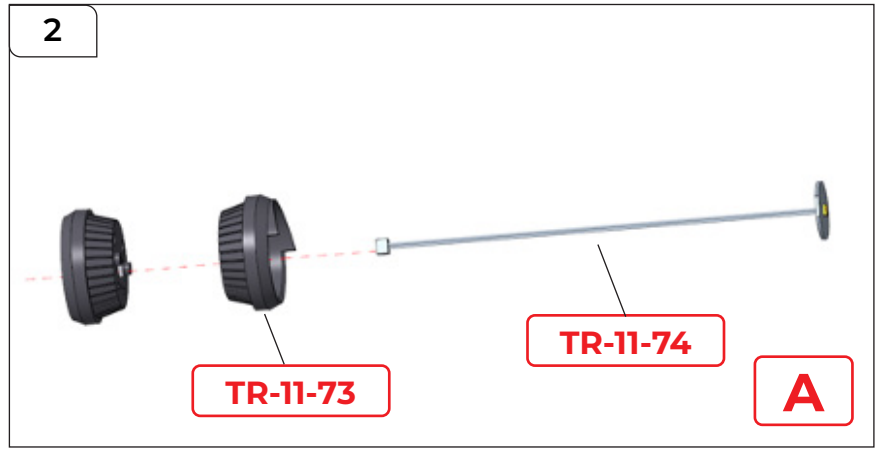


## STEP 1

Apply a little glue as shown in 1a and attach TR-12-169 to TR-12-23.

## STEP 2

Thread cable TR-11-74 (note: the "11" indicates the part was supplied in pack 11) through TR-11-73 and the assembly from step 1.

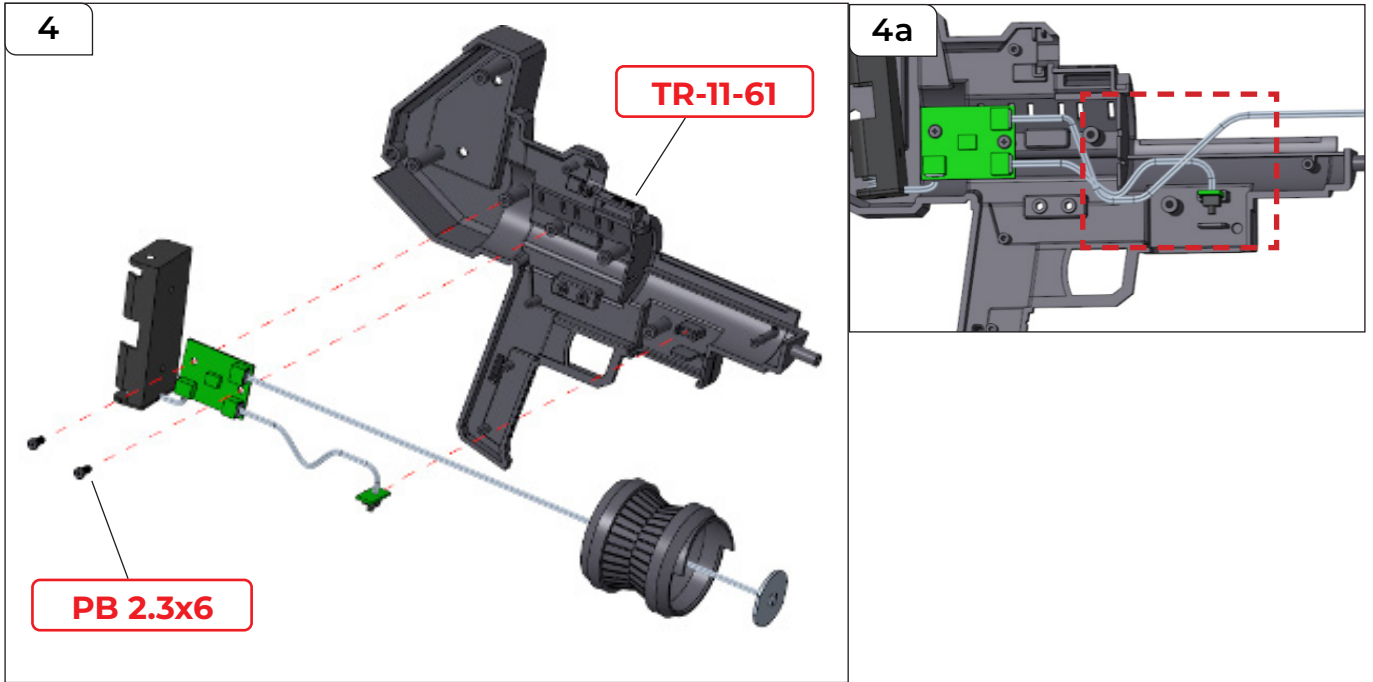


TR-12-138

## STEP 3

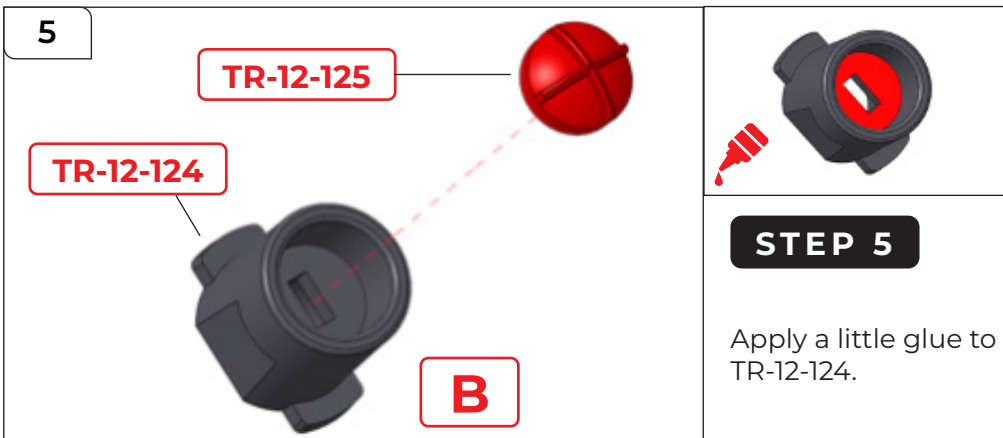
Take the small circuit board labelled 01 (from Tray 3, shown in 3a). Use the picture to identify the correct sockets for connecting the plugs on parts TR-12-145, TR-12-139 and the assembly from step 2.

# Assembling the Blaster



## STEP 4

Attach the PCB, with its three connected cables, to TR-11-61. Route the cables as shown in 4a before securing it in place using 2x PB 2.3x6 mm screws.

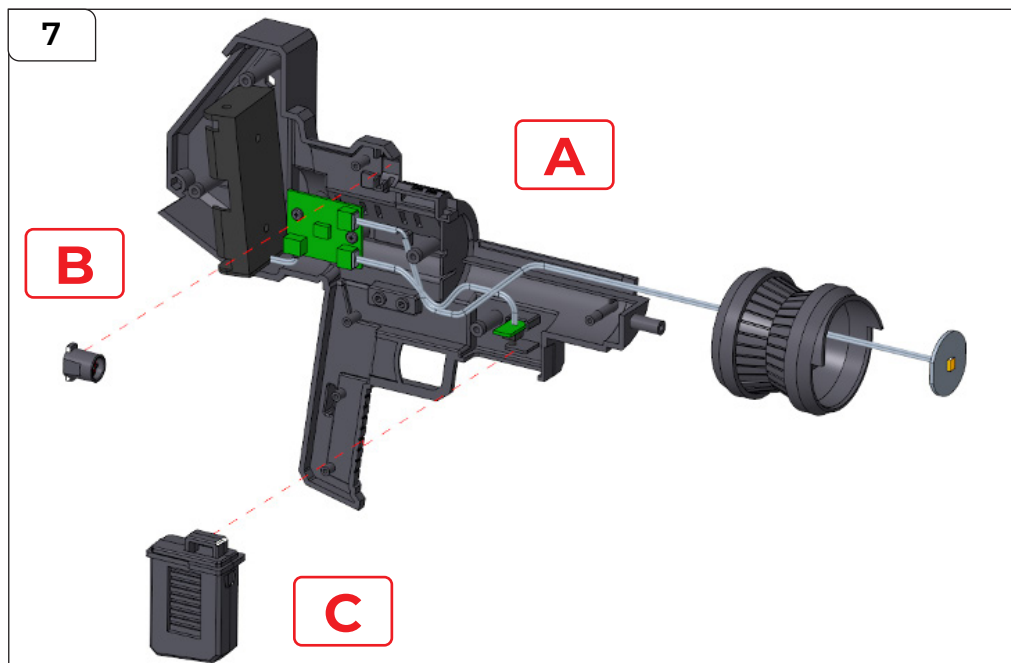


Apply a little glue to TR-12-125 and attach to TR-12-124.



Apply a little glue to TR-12-15 before attaching TR-12-16.

# Assembling the Blaster



## STEP 7

Attach B and C to A.



## STEP 8

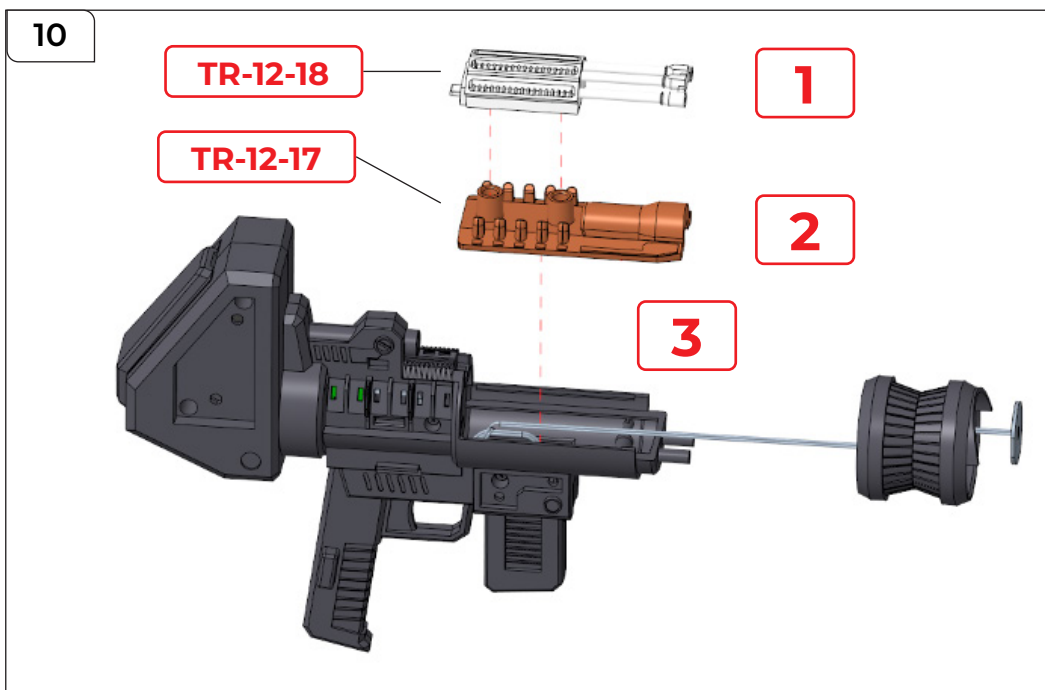
Attach TR-12-12 and TR-12-19 to A. TR-12-19 is hinged and should open and close the battery compartment.

# Assembling the Blaster



## STEP 9

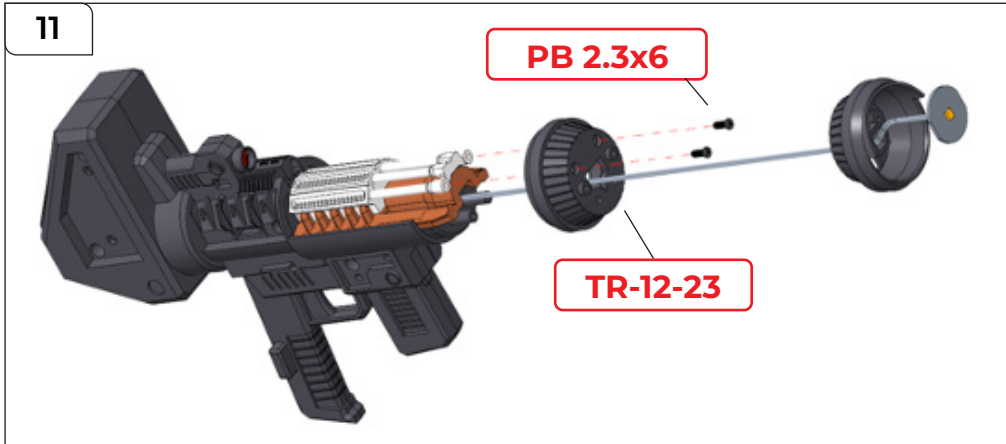
Fix them in place using 4x PB 2.3x6 mm screws. Keep checking the wires are routed correctly and not caught in the parts. Once secure, test the light by installing 2x AAA (1.5V) batteries (see page 19). Push the cartridge part up (arrow) to activate the switch. Once tested, remove the batteries to continue assembly.



## STEP 10

Attach TR-12-18 to TR-12-17, then place them both onto assembly A.

# Assembling the Blaster



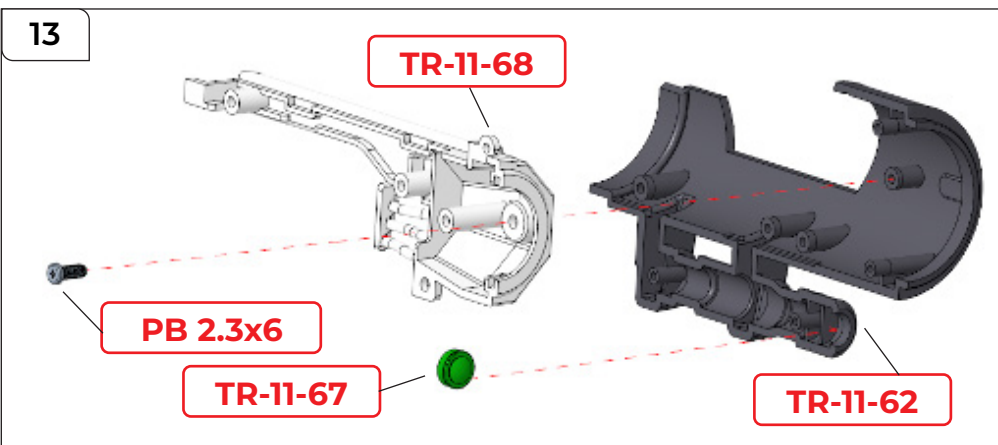
## STEP 11

Slide TR-12-23 over the end and secure parts in place using 2x PB 2.3x6 mm screws.



## STEP 12

Slide TR-11-73 on top and secure using 2x PB 2.3x6 mm screws and 2x PB 2.3x8 mm screws.



## STEP 13

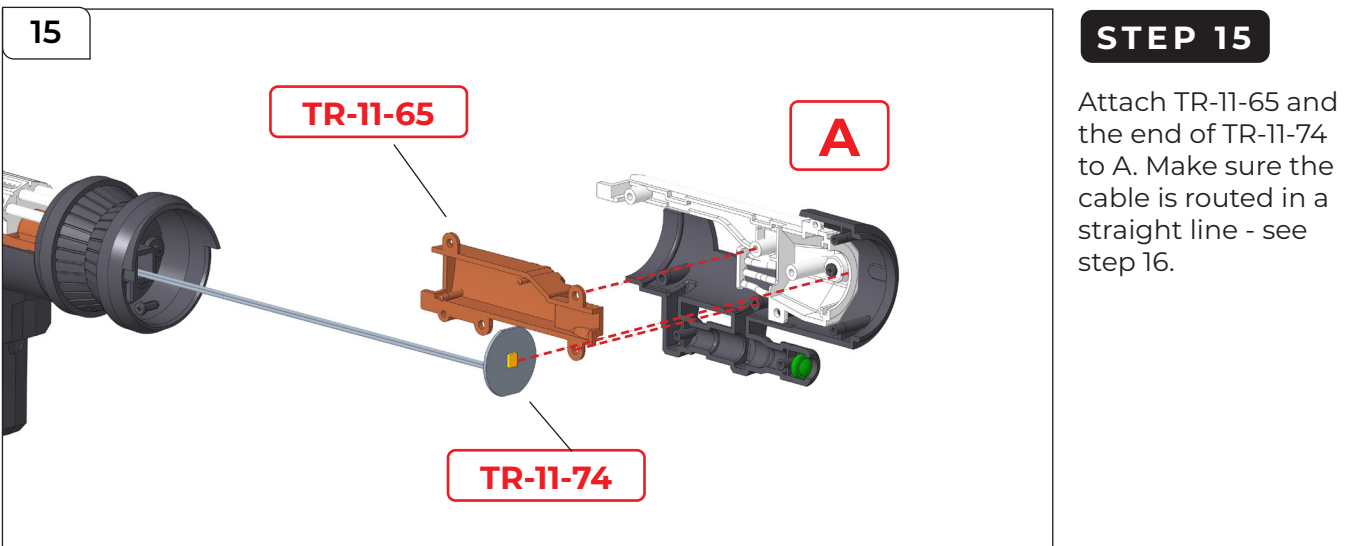
Take part TR-11-62 and attach TR-11-68 and TR-11-67 as shown. Secure them using 1x PB 2.3x6 mm screw.

# Assembling the Blaster



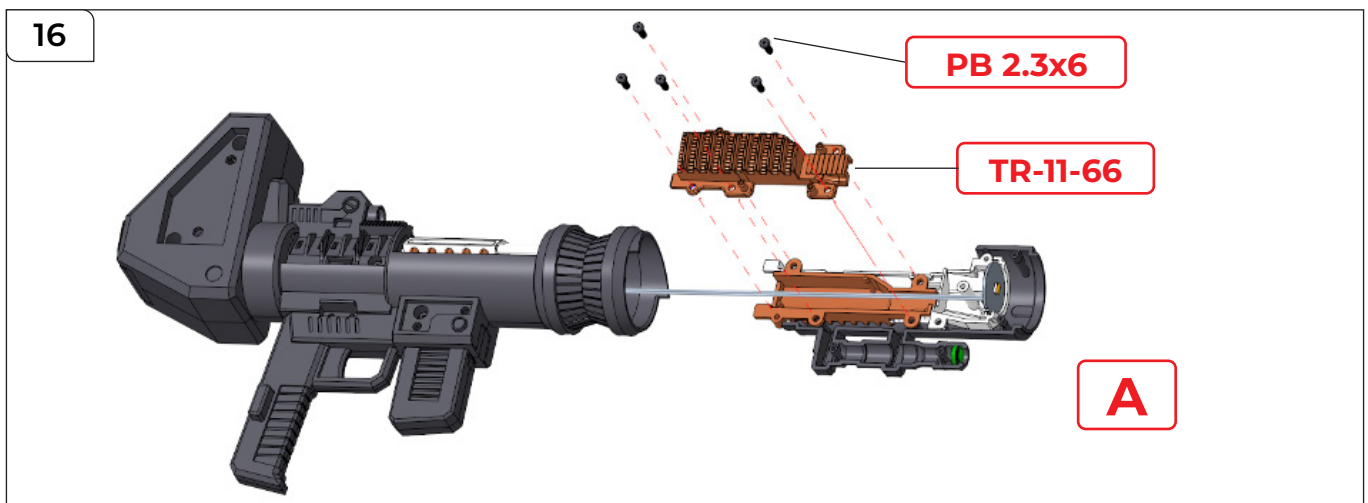
## STEP 14

Apply glue to TR-11-71 then attach TR-12-169 to the glued recess. Place TR-11-72 in position and secure using 1x PB 2.3x6 mm screw.



## STEP 15

Attach TR-11-65 and the end of TR-11-74 to A. Make sure the cable is routed in a straight line - see step 16.



## STEP 16

Place TR-11-66 over the top, securing it in place with 5x PB 2.3x6 mm screws.

# Assembling the Blaster

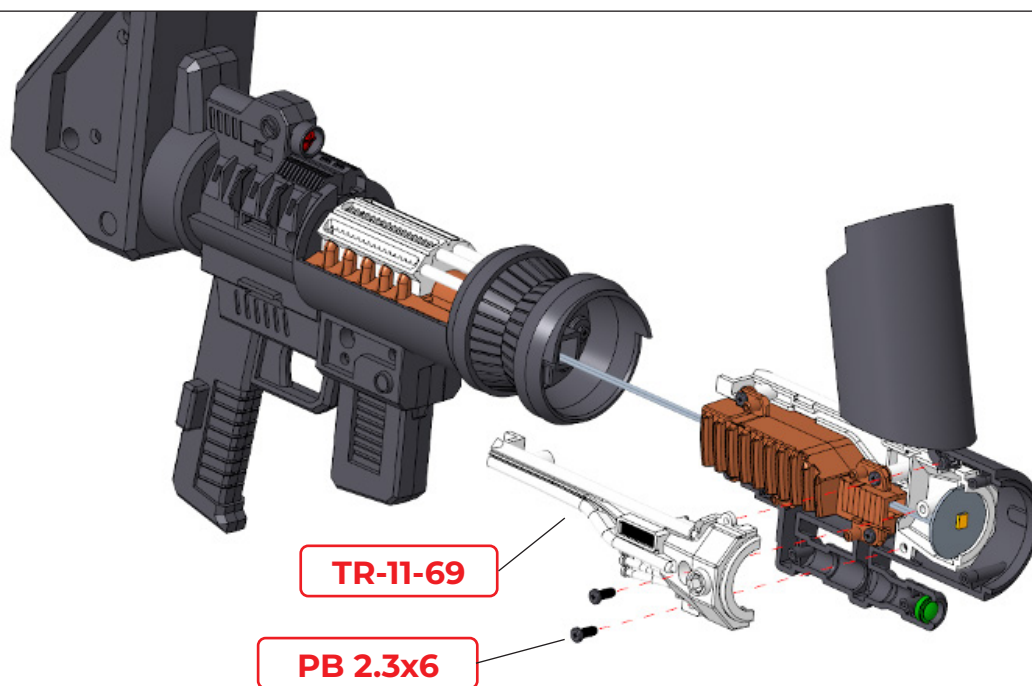
17



## STEP 17

Align the hinge of part TR-11-71 (from step 14) as shown. Hold the parts firmly together, with the peg for the hinge located in the hole.

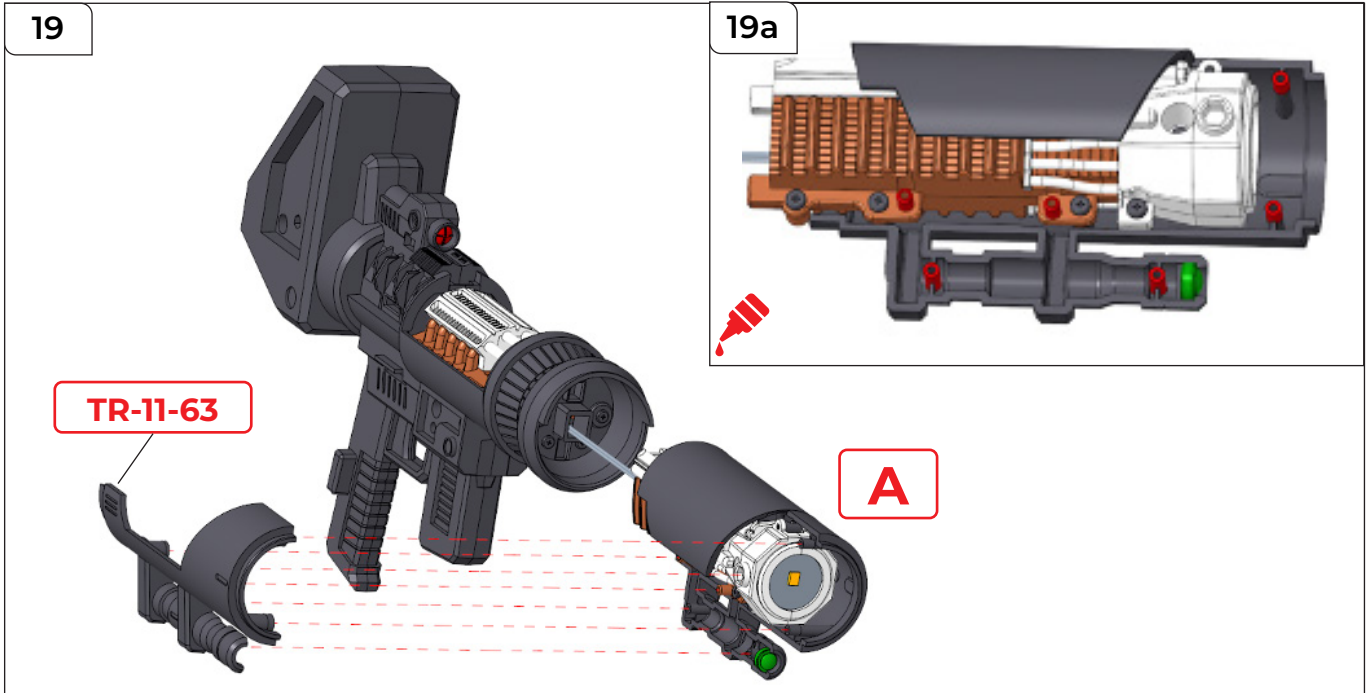
18



## STEP 18

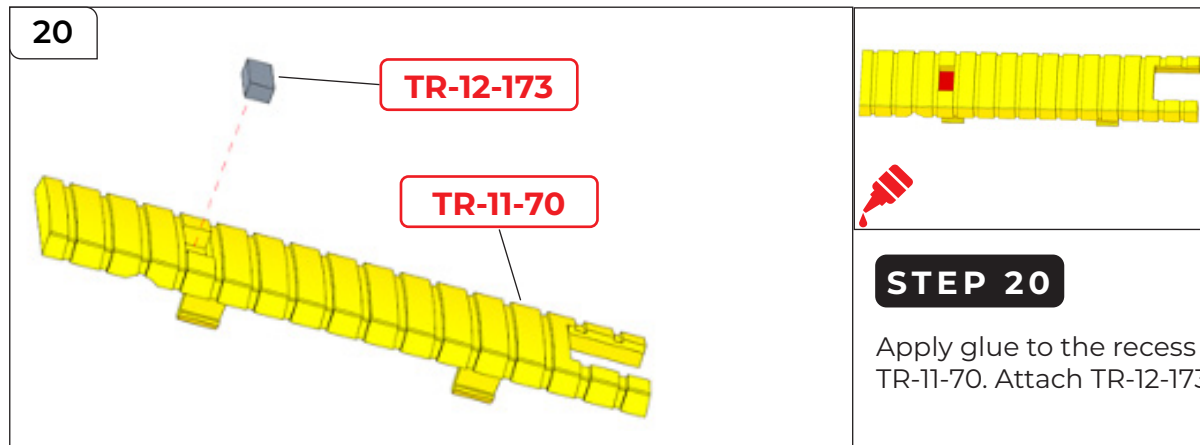
Place TR-11-69 on top and secure the parts in place using 2x PB 2.3x6 mm screws.

# Assembling the Blaster



## STEP 19

Apply a little glue to the areas indicated in red in 19a, then attach TR-11-63.



## STEP 20

Apply glue to the recess in part TR-11-70. Attach TR-12-173.

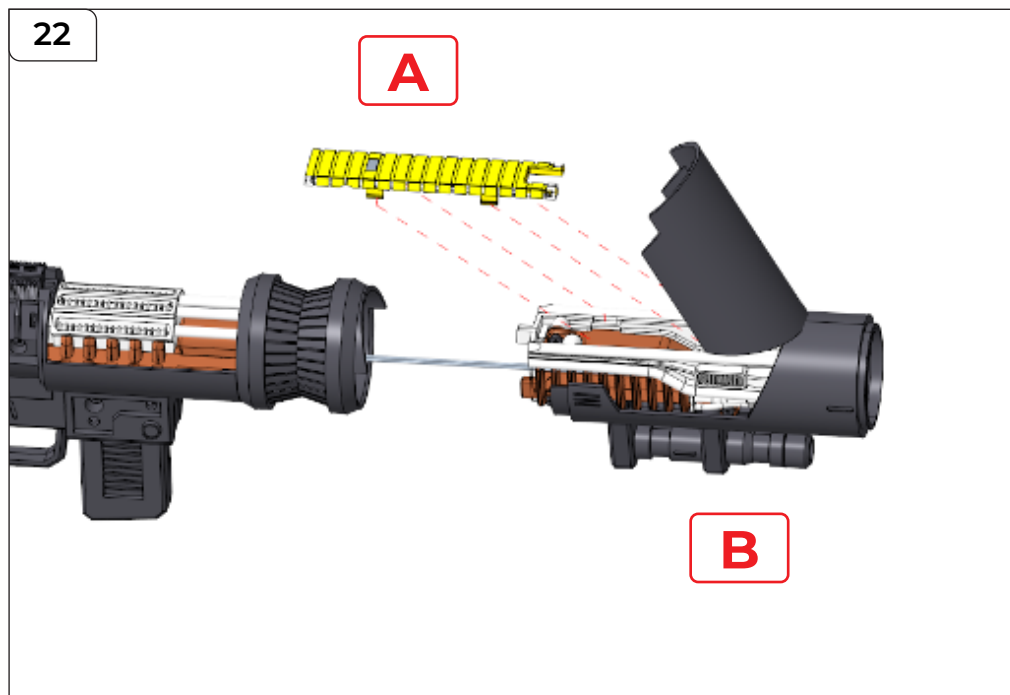


## STEP 21

Apply glue to TR-12-22 in the two recessed areas. Attach 2x TR-12-173.

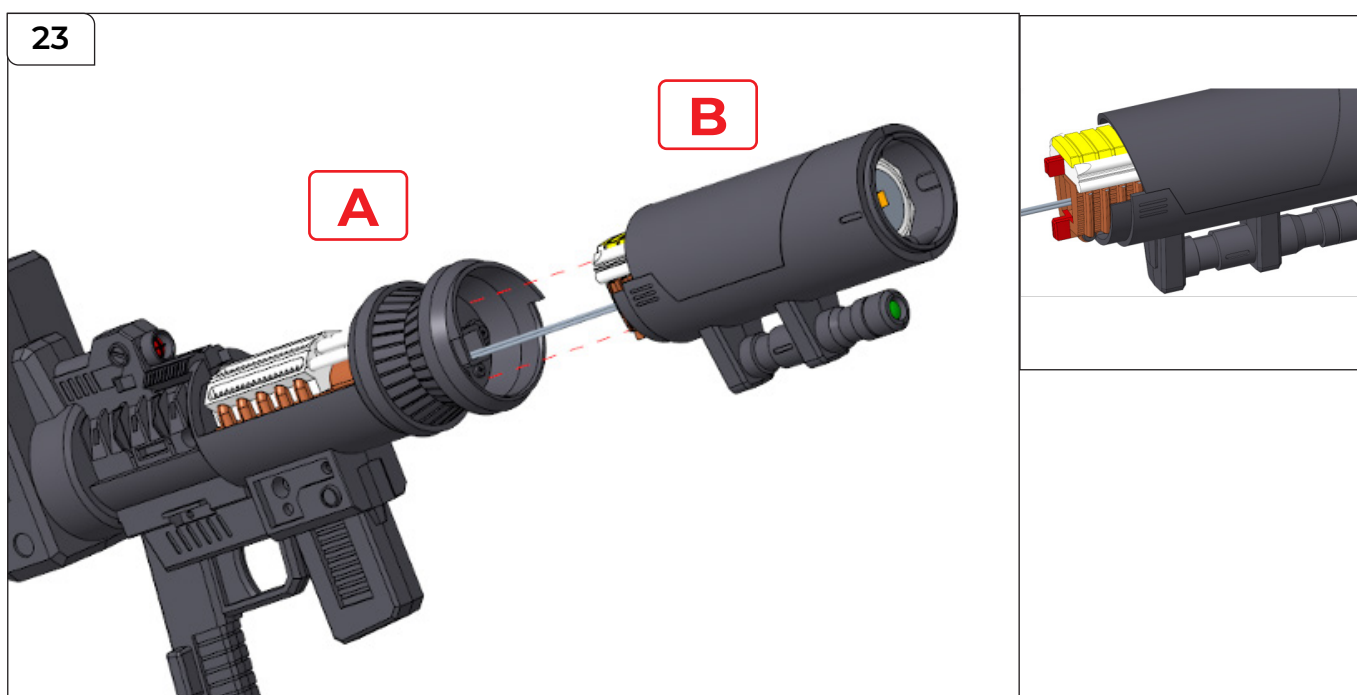


# Assembling the Blaster



## STEP 22

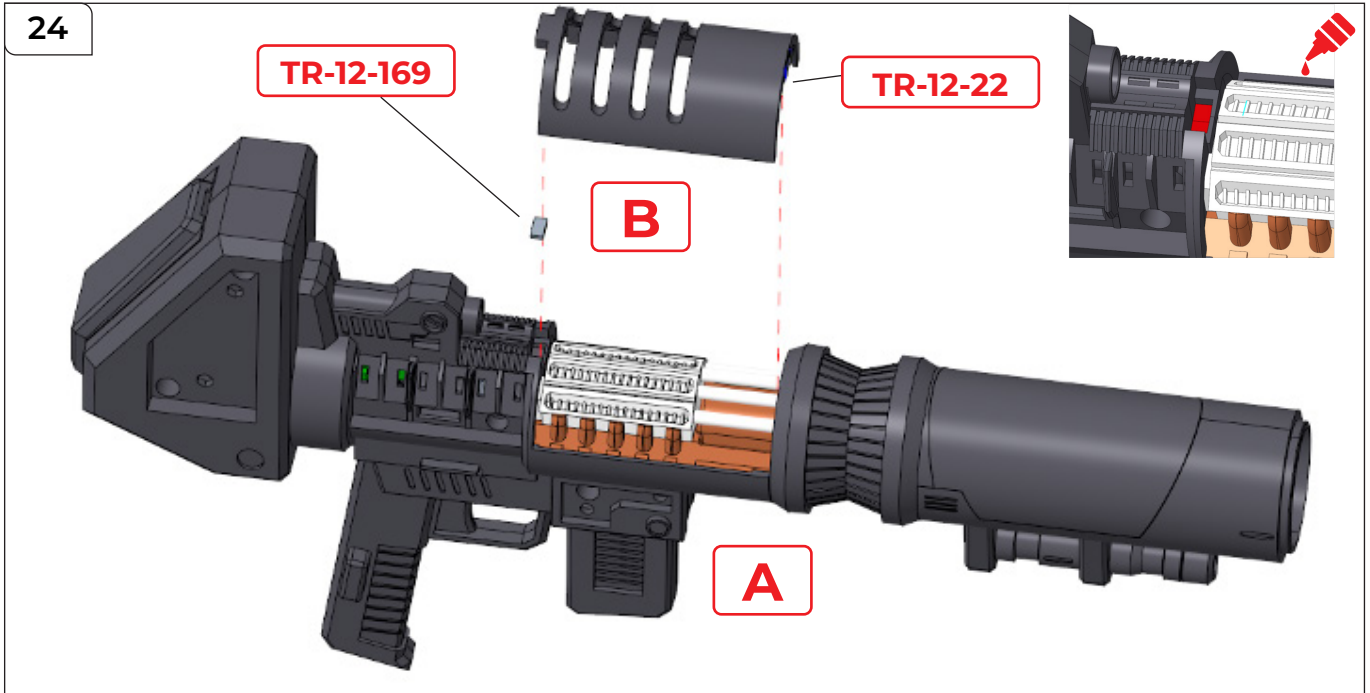
Attach A to B as shown.



## STEP 23

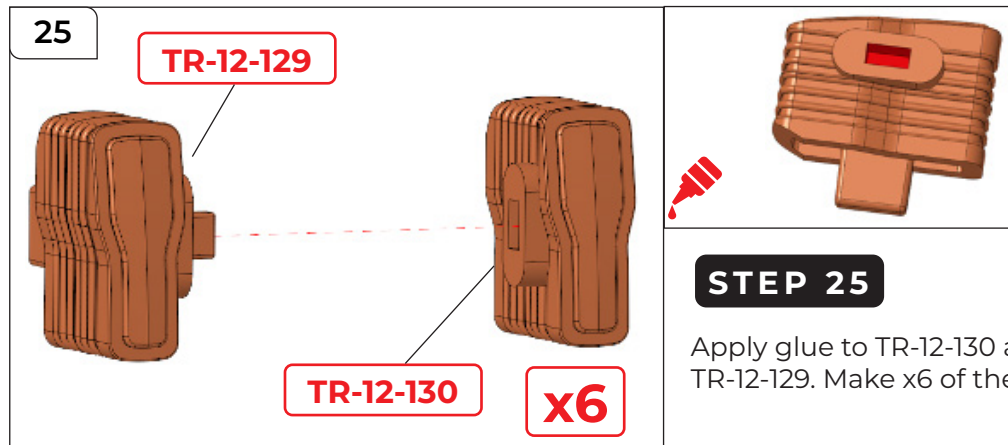
Apply a little glue to B as shown and fix it to A.

# Assembling the Blaster



## STEP 4

Apply glue to A as shown. Attach TR-12-169 to the glued area and then place TR-12-22 (from step 21) on top.

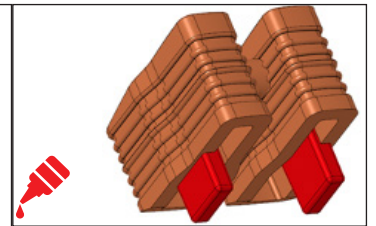
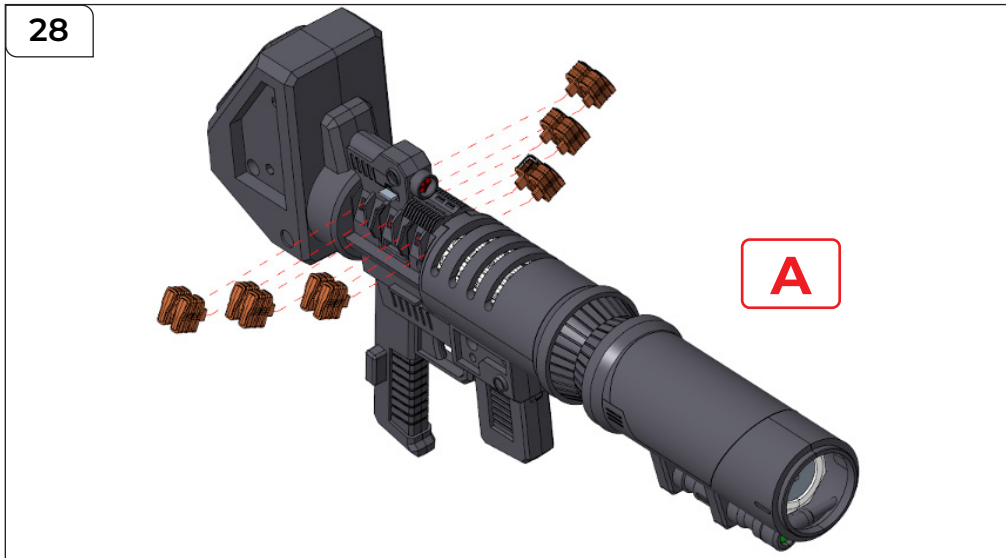


# Assembling the Blaster



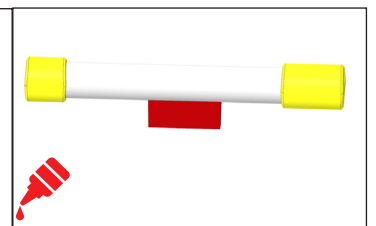
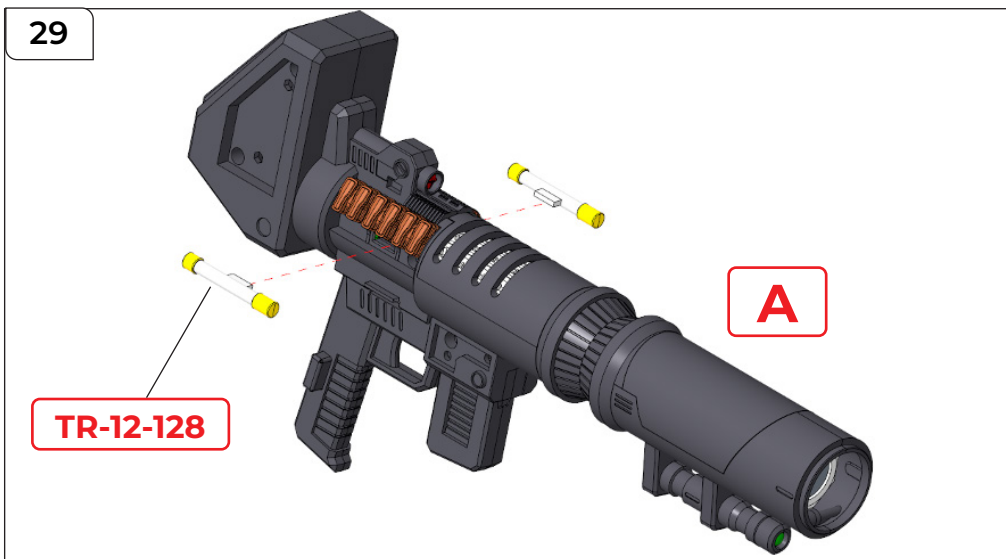
## STEP 27

Glue TR-12-13 and attach TR-12-169. Then attach the hinge TR-12-127.



## STEP 28

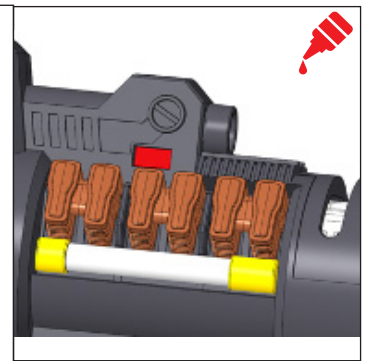
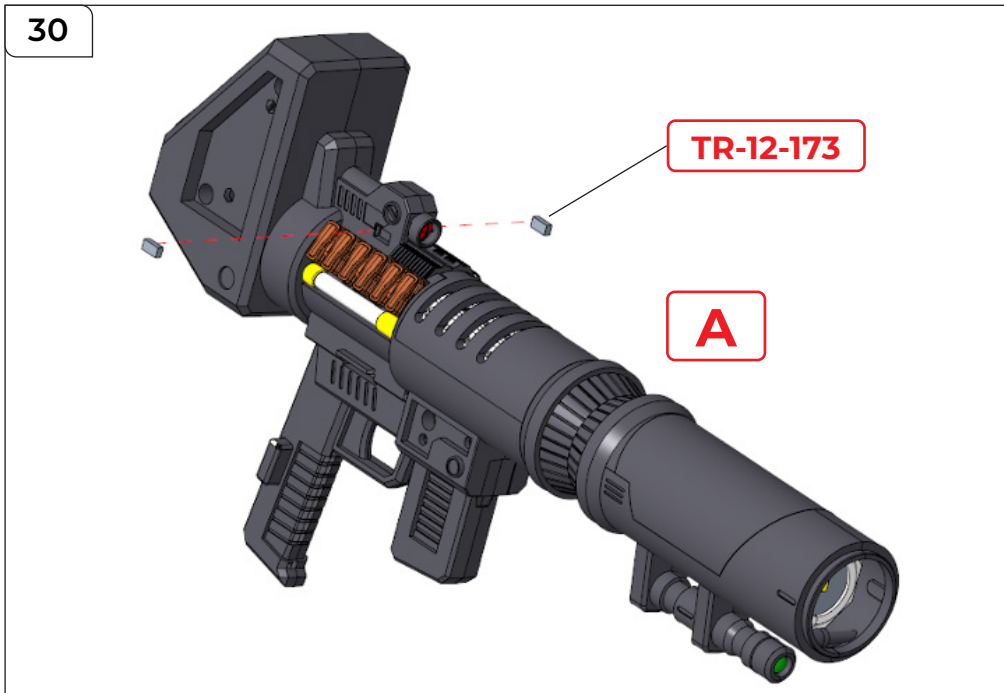
Glue the six assemblies from step 25 then attach them to A.



## STEP 29

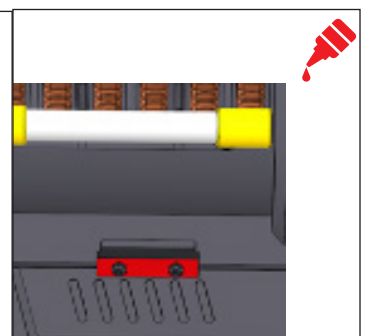
Glue 2x TR-12-128 and attach them to A.

# Assembling the Blaster



## STEP 30

Glue the recessed areas on A as shown, then attach 2x TR-12-173.



## STEP 31

Glue two more recessed areas on A before attaching the hinged assemblies from steps 26 and 27.

# Assembling the Blaster



## STEP 32

Apply glue to TR-12-126 then attach to A. Attach TR-12-20 and TR-12-21.

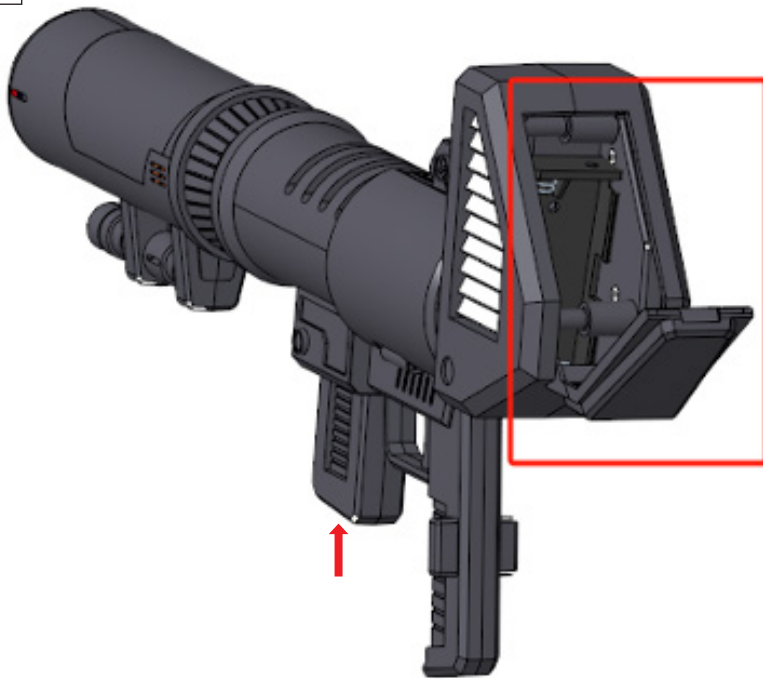


## STEP 33

Attach TR-11-60 to TR-11-64 as shown. Apply a little glue then fix the assembly to A.

# Assembling the Blaster

34



## STEP 34

Open the battery compartment door to locate the battery holder. Install 2x AAA (1.5V) batteries. Gently push the cartridge up to operate the light. Push again to switch the light off.

BLASTER COMPLETE

