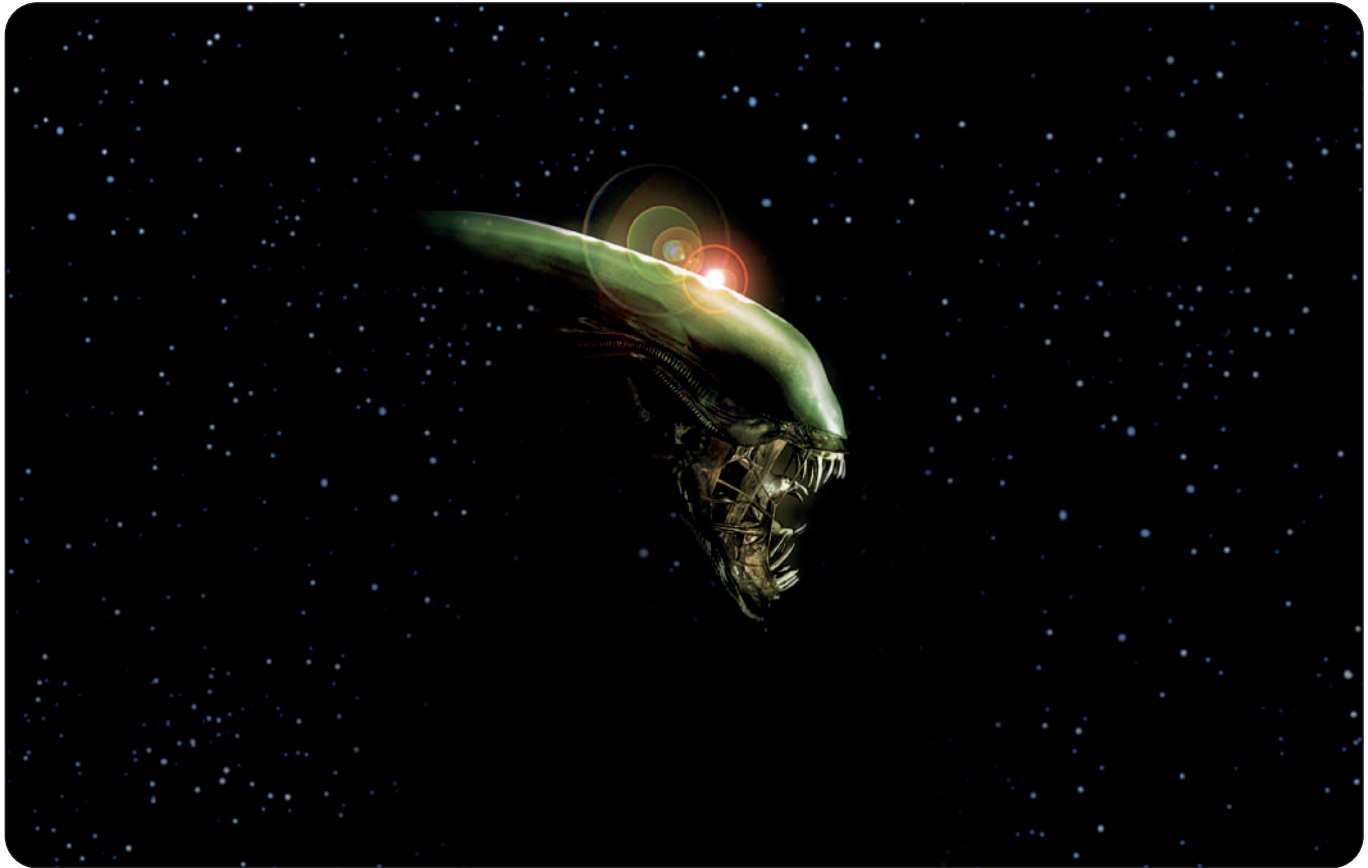


# A L I E N



## Pack 12

### BUILD INSTRUCTIONS

**STAGE 85: THE TAIL AND THE  
DORSAL GROWTHS (IV)**

**STAGE 86: THE TAIL AND THE  
DORSAL GROWTHS (V)**

**STAGE 87: THE DORSAL GROWTHS (I)**

**STAGE 88: THE DORSAL GROWTHS (II)**

**STAGE 89: THE DORSAL GROWTHS (III)**

**STAGE 90: THE DORSAL GROWTHS (IV)**

**STAGE 91: THE RIGHT SHOULDER GROWTH**

**STAGE 92: THE LEFT SHOULDER GROWTH**



## Before you start...

To help you get the best out of building the Xenomorph, we've prepared a modellers checklist with hints, tips and advice from our expert. The information below is aimed at making your build as enjoyable and professional as possible right from the start.

Make sure you have good ventilation when using adhesives and to replace caps firmly.

Always use the correct adhesives and always follow manufacturers guidance.

Apply glue sparingly and use a cocktail stick to apply so that you don't use too much nor apply the glue too heavily.

Work in a well lit area. Use an anglepoise lamp or similar on your work bench to ensure you have good light whenever you're at work.

Organise storage – stackable, labeled containers like old clean takeaway or ice-cream plastic tubs with lids are perfect. Small parts which may not be needed until a later stage should be kept in clear plastic and labeled bags.

Use masking tape to hold parts temporarily in place.

Only use the correct size screwdriver that fits the screw head firmly.

Cut parts from a sprue (framework) with side cutters or a craft knife. Side cutters tend to be easiest.

Use a magnet to help find screws that have fallen on the floor.

Leave parts in the paper bags supplied until they are needed. You can write a note of the stage and part on the paper bag too.

If a screw is tight, try turning a half turn forwards followed by a quarter turn backwards. Also, it can sometimes help to temporarily fit a screw into its hole before assembling the parts.

But most of all, enjoy your build!



**WARNING:** Some parts are assembled using magnets. These magnets can cause serious injury if they are swallowed. Keep away from children. If you suspect a magnet has been swallowed, seek medical help straight away.

All parts belong to a kit. Collectors item for adults.

Not suitable for children under 14.

Some parts may have sharp edges, please handle them with care.

The installation of electronic parts must always be carried out by an adult. When replacing batteries, use the same type of batteries.

Please ensure that the battery compartment is securely fastened before you use the model.

Used batteries should be recycled.

Please make sure to check with your local authority how batteries should be disposed of in your area.

Batteries can present a choking danger to small children and may cause serious harm if ingested. Do not leave them lying around and keep any spare batteries locked away at all times.

# STAGE 85: THE TAIL AND THE DORSAL GROWTHS (IV)

In this stage you will continue to work on the tail and dorsal appendages.

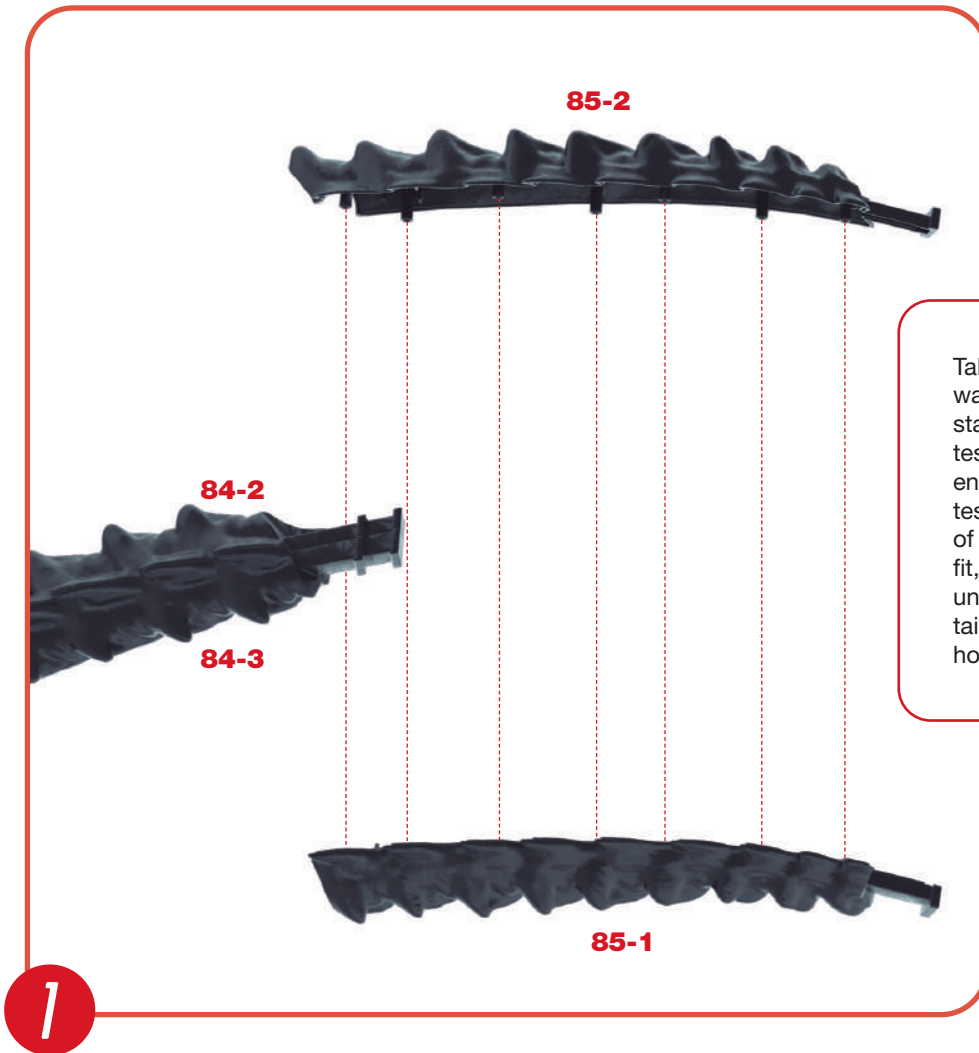


## PARTS SUPPLIED

Ref	Name	Qty
85-1	Tail 15	1
85-2	Tail 16	1
85-3	Back Protector B6	1
85-4	Back Protector B7	1

Ref	Name	Qty
85-5	Back C1	1
85-6	Back C2	1
85-7	Connector	2
85-8	2.3x6mm screws (1 spare)	5

## STAGE 85: THE TAIL AND THE DORSAL GROWTHS (IV)

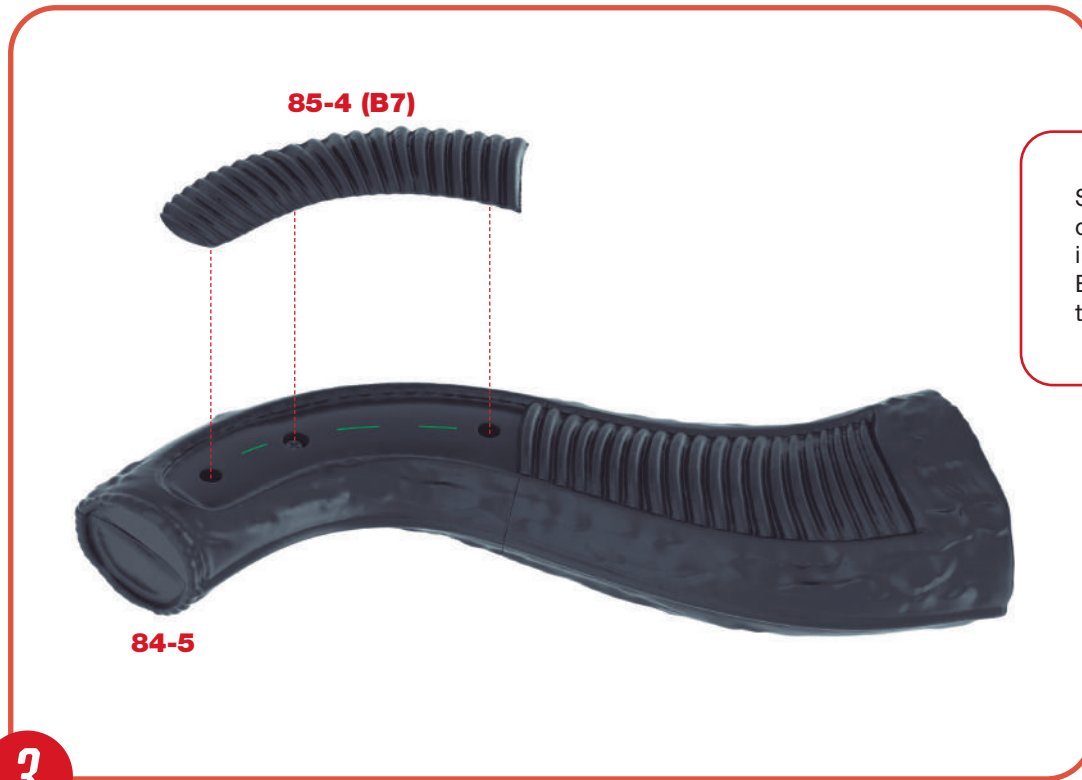


Take the tail assembly **84-2/84-3** which was worked on in step 1 of the previous stage. Study the diagram carefully and test-fit Tail **85-1** around Tail **84-3** at the end of the tail assembly. From the other side test-fit Tail **85-2** around the other side of the tail assembly. When certain of a good fit, glue in place and hold firmly together until the glue has set. Unlike the previous tail parts, there aren't locating pegs and holes at the end.

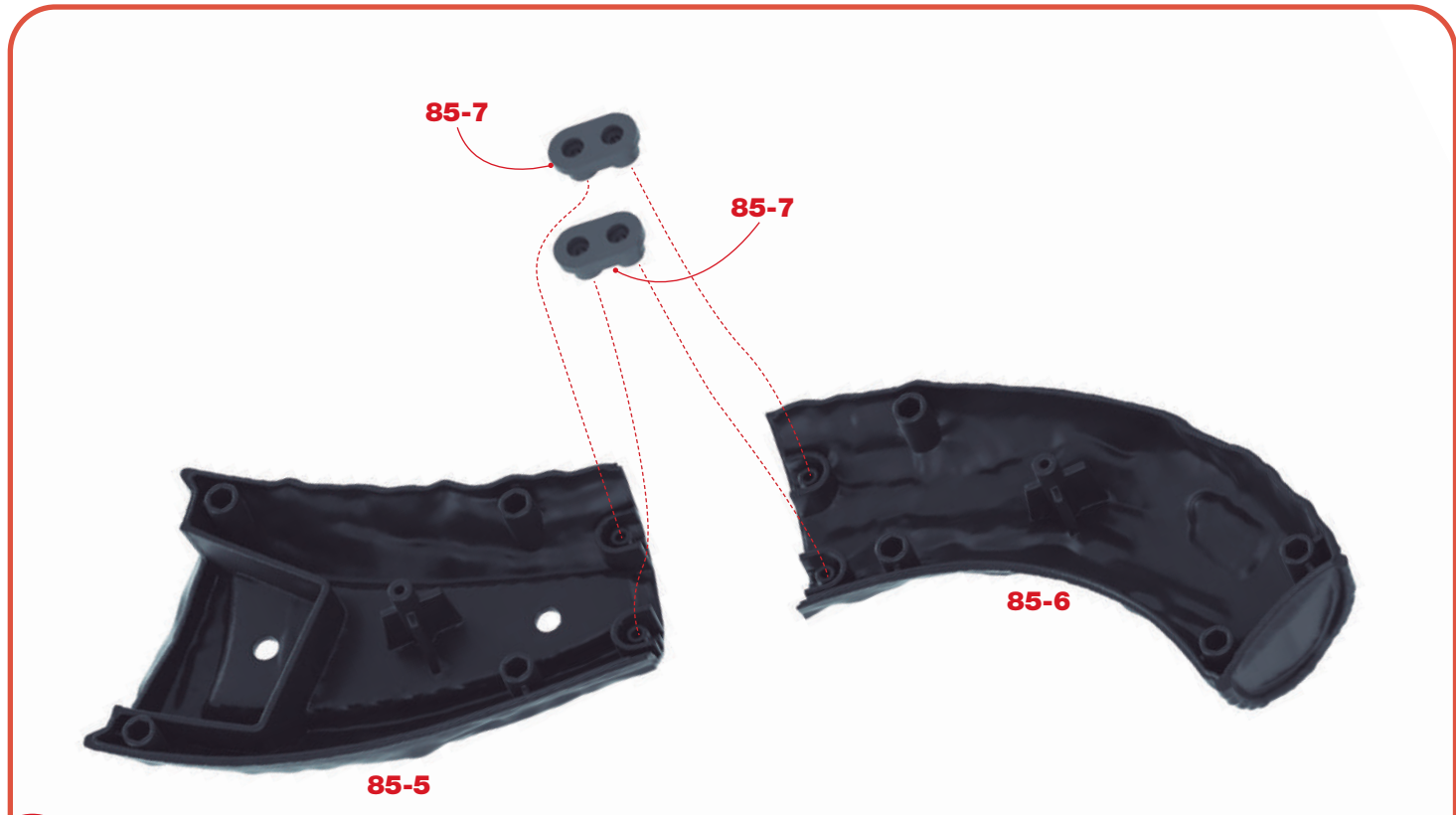
Take the back assembly **84-4/84-5** from the previous stage and test-fit the two pegs on Back Protector B6 **85-3** into the corresponding holes in Back **84-4**. When sure of a good fit, glue in place.



## STAGE 85: THE TAIL AND THE DORSAL GROWTHS (IV)

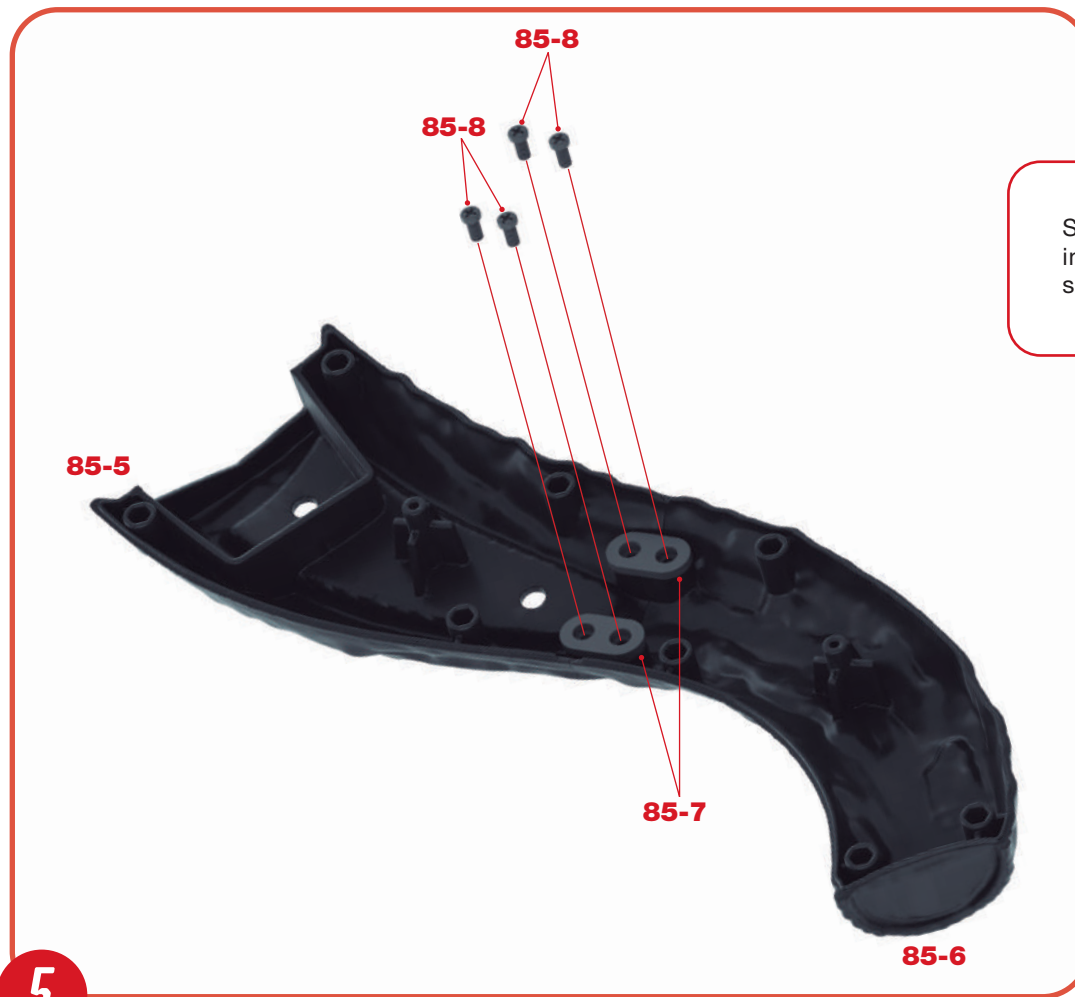


Similarly, test-fit the two pegs on Back Protector B7 **85-4** into the matching holes in Back **84-5**. When happy with the fit, glue in place.



Take Back C1 **85-5** and Back C2 **85-6** and join them together by fitting two Connectors **85-7** over the raised screw sockets.

## STAGE 85: THE TAIL AND THE DORSAL GROWTHS (IV)



### STAGE 85 IS COMPLETE



# STAGE 86: THE TAIL AND THE DORSAL GROWTHS (V)

In this stage you will continue to work on the tail and its dorsal appendages.



## PARTS SUPPLIED

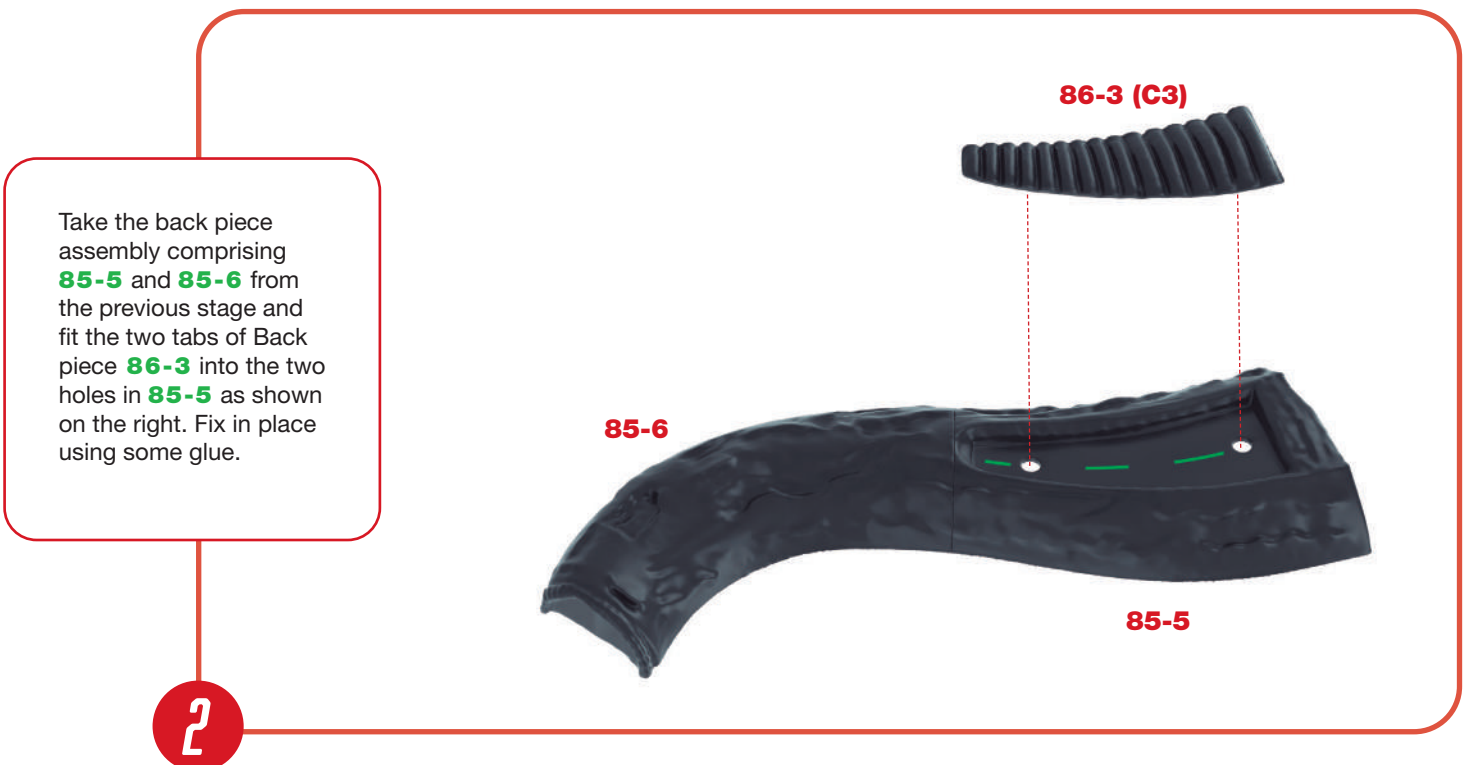
Ref	Name	Qty	Ref	Name	Qty
86-1	Tail 17	1	86-5	Back C5	1
86-2	Tail 18	1	86-6	Connector	2
86-3	Back Protector C3	1	86-7	2.3x6mm screws (1 spare)	7
86-4	Back C4	1			

## STAGE 86: TAIL AND DORSAL GROWTHS (V)



Take the tail assembly **85-1/85-2** which was worked on in the previous stage and test-fit the Tail **86-1** over the end. From the other side, also test-fit Tail **86-2**, as shown by the red lines. When certain of a good fit, secure together by applying glue to the contact areas and hold firmly in place until the glue has dried.

1

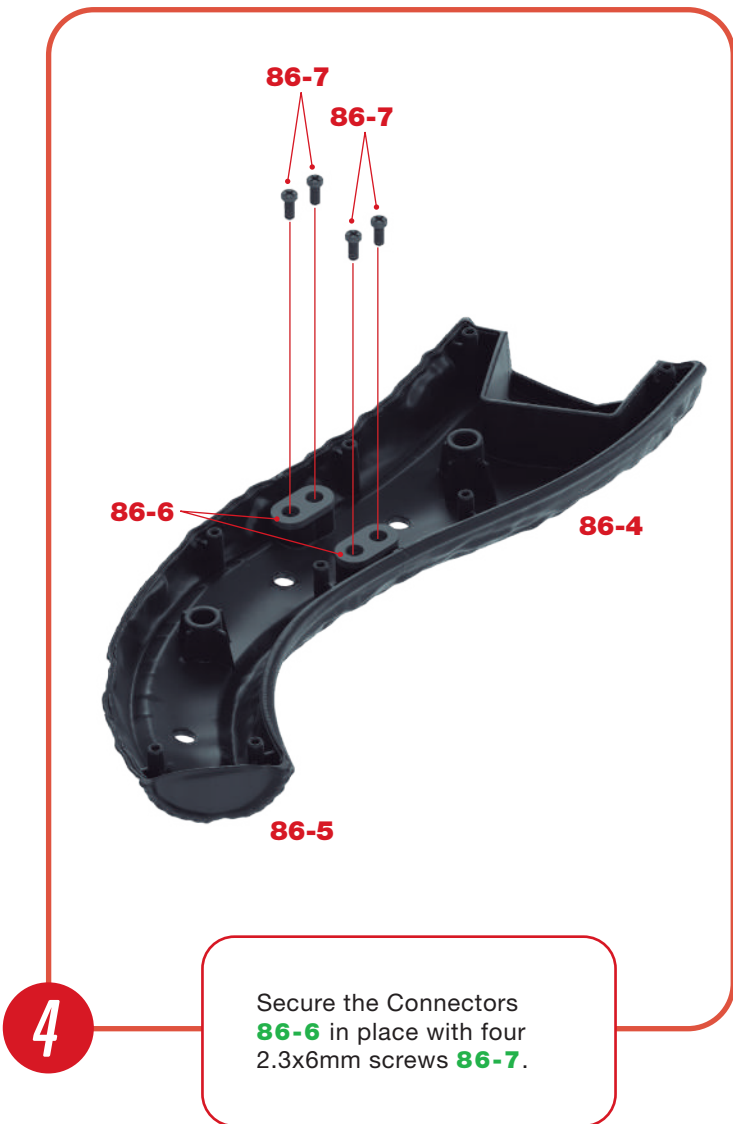
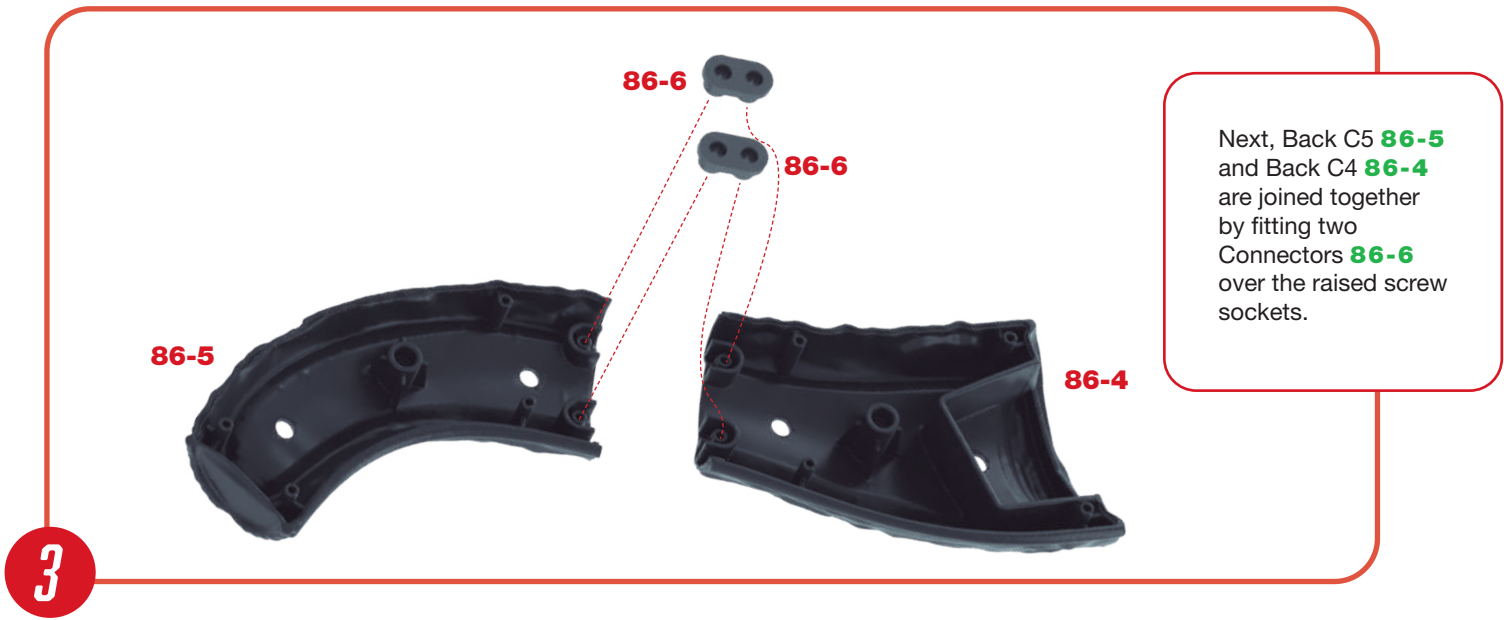


Take the back piece assembly comprising **85-5** and **85-6** from the previous stage and fit the two tabs of Back piece **86-3** into the two holes in **85-5** as shown on the right. Fix in place using some glue.

2



## STAGE 86: TAIL AND DORSAL GROWTHS (V)



## STAGE 86: TAIL AND DORSAL GROWTHS (V)



Turn the assembly over and fix together with two 2.3x6mm screws **86-7**.

6

### STAGE 86 IS COMPLETE



*THE TAIL HAS BEEN COMPLETED AND FURTHER WORK HAS BEEN DONE TO THE DORSAL GROWTHS.*

# STAGE 87: THE DORSAL GROWTHS (I)

In this stage you will continue to build the dorsal appendages.



## PARTS SUPPLIED

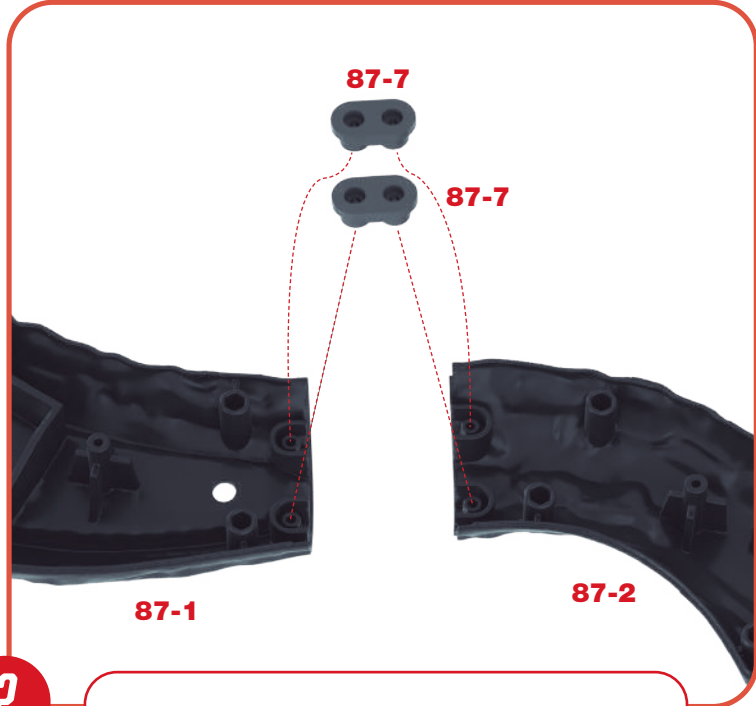
Ref	Name	Qty
87-1	Back D1	1
87-2	Back D2	1
87-3	Back D3	1
87-4	Back D4	1

Ref	Name	Qty
87-5	Back Protector C6	1
87-6	Back Protector C7	1
87-7	Connector	4
87-8	2.3x6mm screws (1 spare)	11

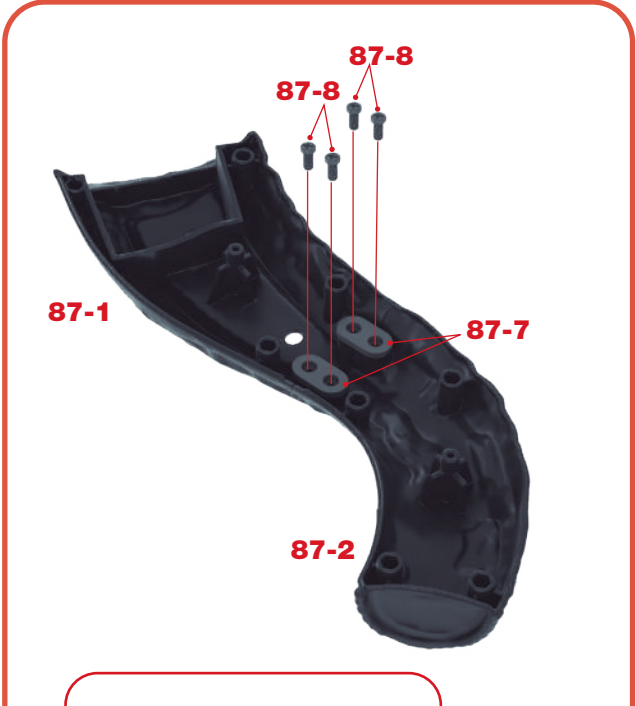
## STAGE 87: DORSAL GROWTHS (I)



Take the back assembly **86-4/86-5** which was worked on in the previous stage and test-fit the two pegs on Back Protector C6 **87-5** into the corresponding holes in back **86-4**. When certain of the fit, glue in place. Repeat the process to test-fit the pegs on Back Protector C7 **87-6** into the holes in back **86-5**. When sure of a good fit, glue in place.

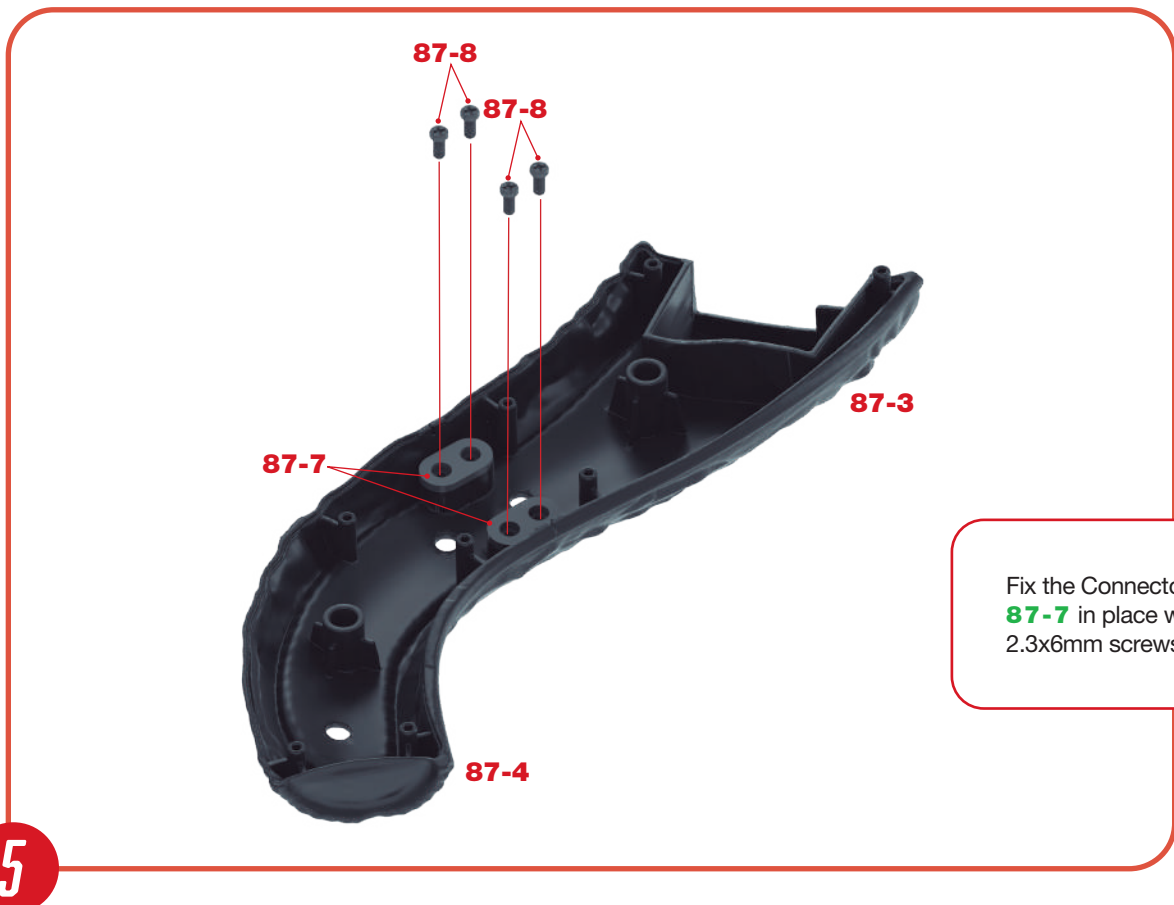
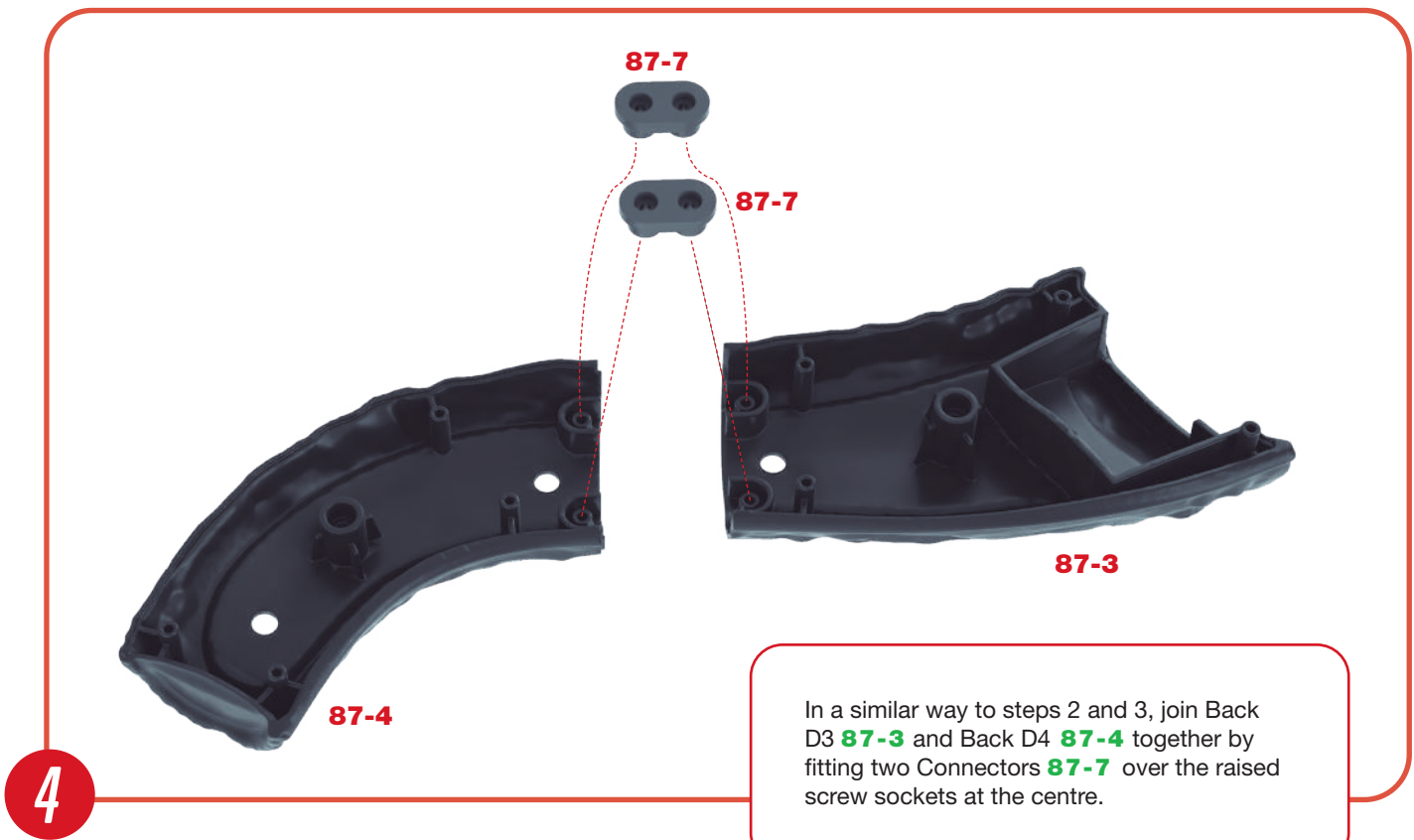


Take Back D1 **87-1** and Back D2 **87-2** and join them together by fitting two Connectors **87-7** over the raised screw sockets.



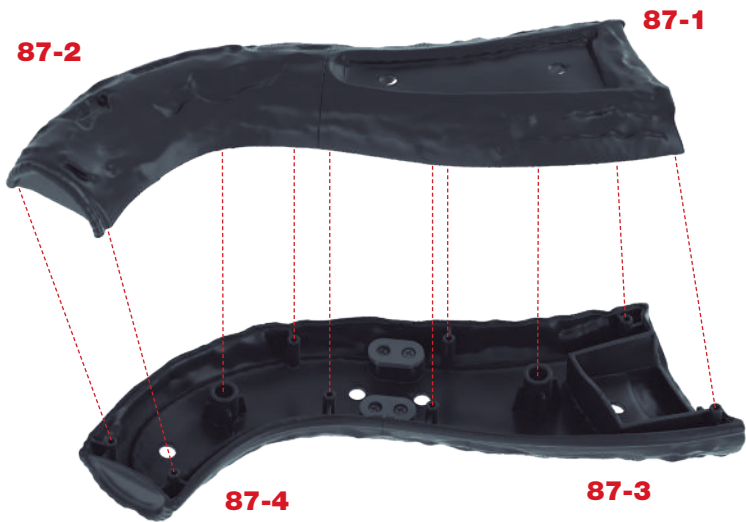
Secure the Connectors **87-7** in place with four 2.3x6mm screws **87-8**.

## STAGE 87: DORSAL GROWTHS (I)

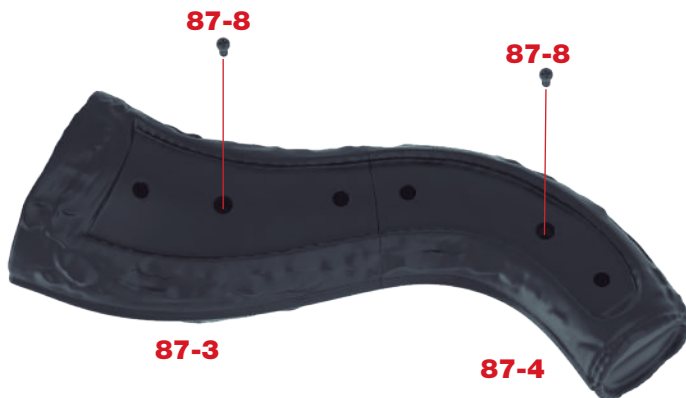


## STAGE 87: DORSAL GROWTHS (I)

The assembly **87-1/87-2**, from step 3 and the assembly **87-3/87-4** from the previous step are joined together as shown on the left. There are raised sockets, shown by the red lines, which fit together.



6



Turn the combined assembly over and fix the sections together with two 2.3x6mm screws **87-8**, as indicated by the red lines.

7

### STAGE 87 IS COMPLETE



*FOLLOWING FURTHER WORK, THE DORSAL GROWTHS ARE ALMOST COMPLETE.*

# STAGE 88: THE DORSAL GROWTHS (II)

In this stage you will continue to build the dorsal appendages.



## PARTS SUPPLIED

Ref	Name	Qty
88-1	Back Protector D5	1
88-2	Back Protector D6	1
88-3	Back Protector D7	1

Ref	Name	Qty
88-4	Battery Compartment 1	1
88-5	Vertebrae	1

## STAGE 88: DORSAL GROWTHS (II)



87-3

87-4

88-3 (D7)



87-3

87-4

88-2 (D6)

88-3

1  
Take the back assembly **87-3/87-4** from the previous stage and test-fit the two pegs on Back Protector D7 **88-3** into the corresponding holes in back **87-4**. When sure of a good fit, glue in place.

2  
Similarly, test-fit the two pegs on Back Protector D6 **88-2** into the matching holes in back **87-3**. When happy with the fit, glue in place.



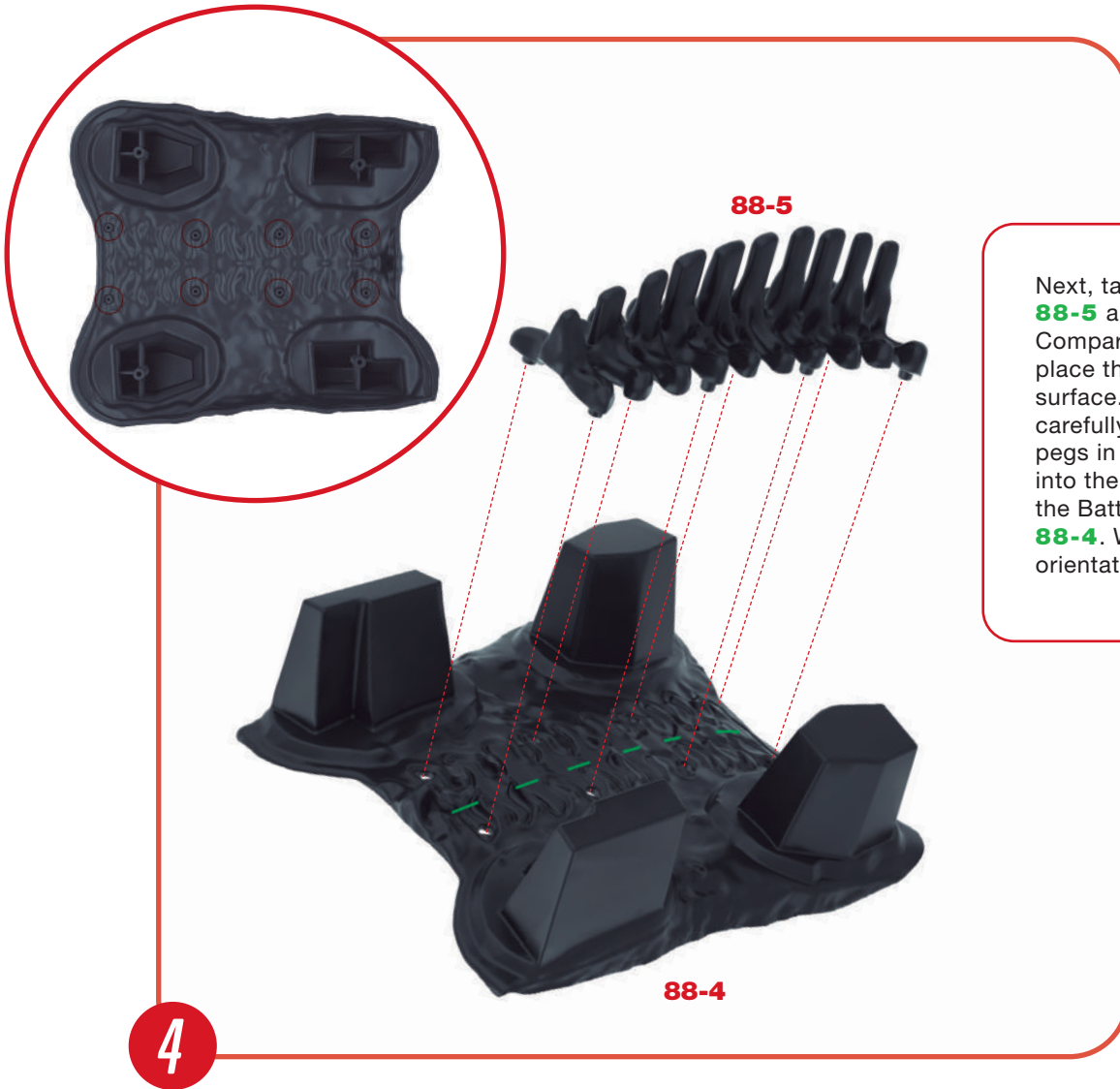
(D5) 88-1

87-1

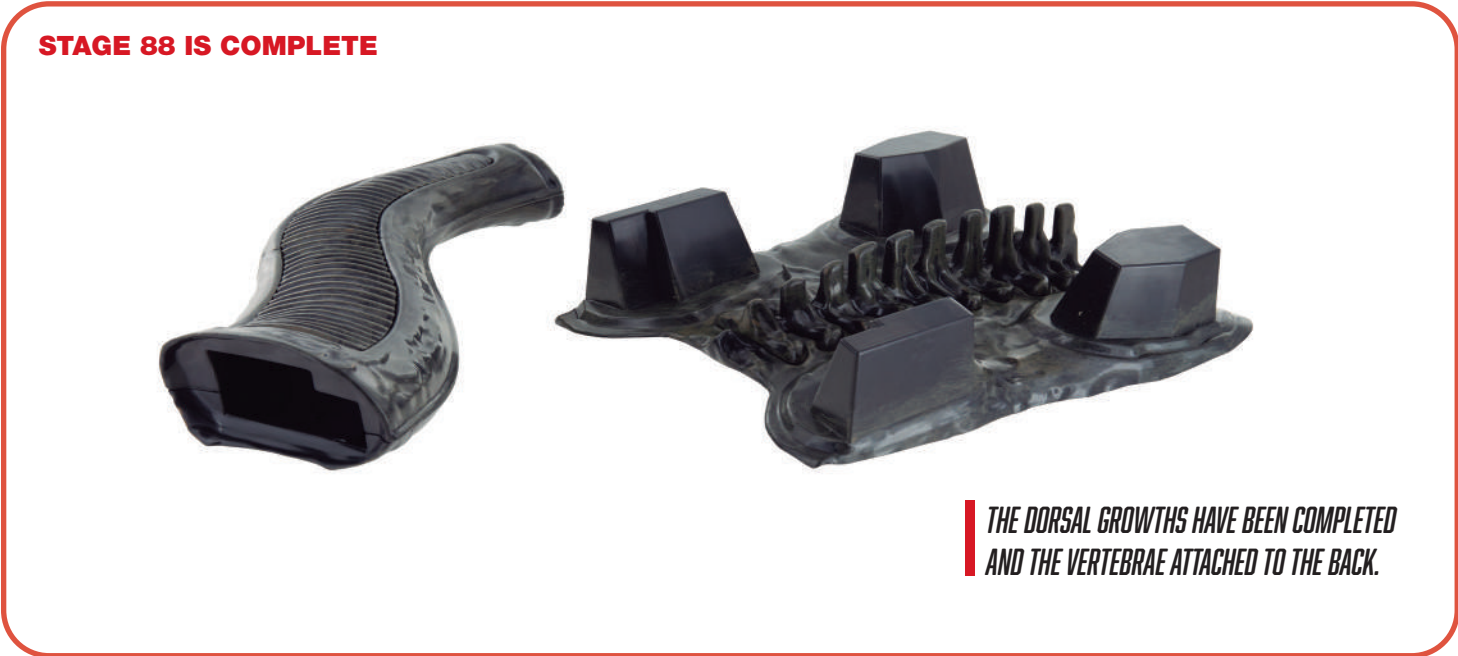
3  
Turn the assembly over and test-fit the pegs on Back Protector D5 **88-1** into the corresponding holes in back **87-1**. When certain of the fit, glue in place.



## STAGE 88: DORSAL GROWTHS (II)



Next, take the Vertebrae **88-5** and the Back Battery Compartment **88-4** and place them on the work surface. Study the diagrams carefully and test-fit the eight pegs in the Vertebrae **88-5** into the matching holes in the Battery Compartment **88-4**. When certain of the orientation, glue in place.



**THE DORSAL GROWTHS HAVE BEEN COMPLETED AND THE VERTEBRAE ATTACHED TO THE BACK.**

# STAGE 89: THE DORSAL GROWTHS (III)

In this stage you will continue to build the dorsal appendages.



## PARTS SUPPLIED

Ref	Name	Qty
89-1	Back Battery Compartment	1
89-2	Back E1	1
89-3	Connector	2

Ref	Name	Qty
89-4	Magnets	8
89-5	2.3x6mm screws (1 spare)	7

## STAGE 89: DORSAL GROWTHS (III)

89-1



88-4

1

The Back Battery Compartments **88-4** and **89-1** are joined together, as shown above. Four raised sockets fit into recesses shown by the red lines.

89-5

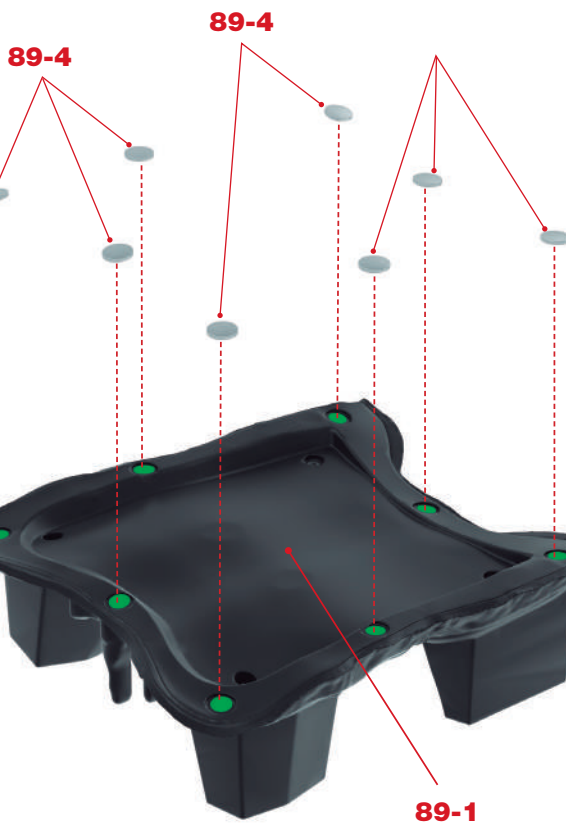
89-1



88-4

2

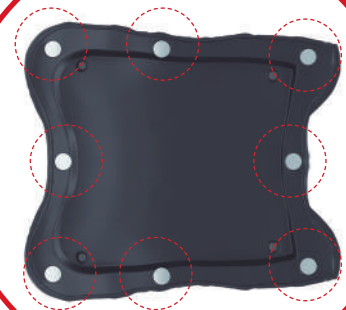
Secure the two parts together using four **2.3x6mm screws 89-5**.



89-1

3

Glue eight magnets **89-4** into the circular recesses on the Battery Compartment **89-1**, as shown by the red lines. It doesn't matter which way up they are fitted.



## STAGE 89: DORSAL GROWTHS (III)



Place the back assembly **88-4/89-1** on the work surface and take the assemblies **82-4/82-5** and **84-4/84-5** which were worked on in pack 11 - stage 83 and stage 85 respectively. Whilst noting the contact areas, test-fit the assemblies onto the Back Battery Compartment **88-4**. When certain of a good, secure fit, glue firmly in place. They will only fit correctly one way round.

4



Repeat the previous step to add the assemblies **86-4/86-5** and **87-3/87-4** to the Back Battery Compartment **88-4**.

5

## STAGE 89: DORSAL GROWTHS (III)



Two Connectors **89-3** are fitted over the raised screw sockets on Back **89-2**, as shown, and secured in place with two 2.3x6mm screws **89-5**.

### STAGE 89 IS COMPLETE

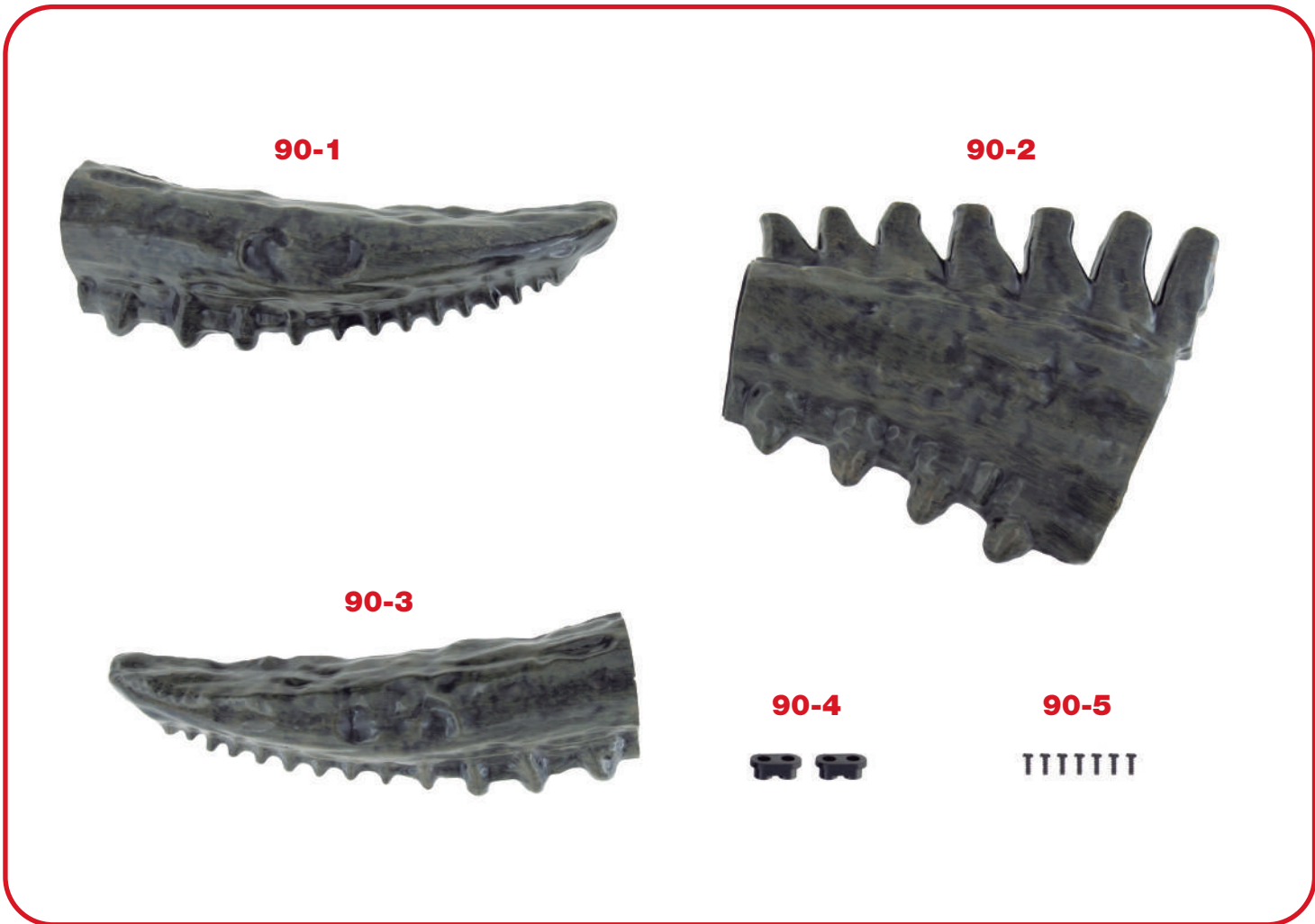


*WORK HAS CONTINUED ON THE BACK BATTERY COMPARTMENT AND THE DORSAL APPENDAGES HAVE BEEN ADDED TO THIS.*



# STAGE 90: THE DORSAL GROWTHS (IV)

In this stage you will continue to build and add the dorsal appendages.

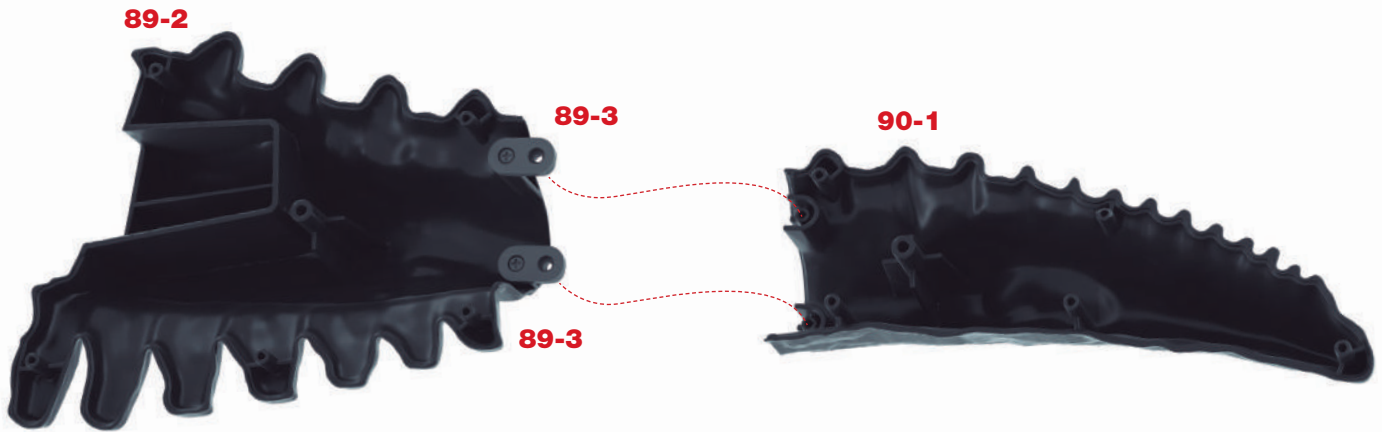


## PARTS SUPPLIED

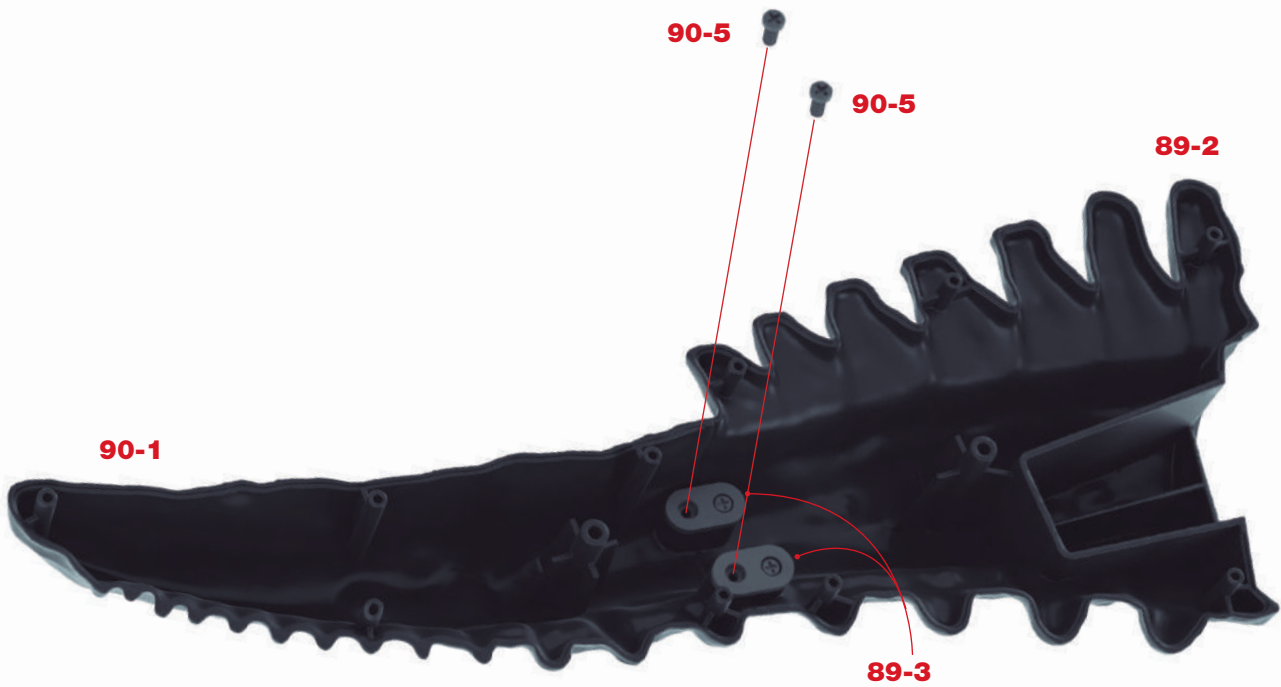
Ref	Name	Qty
90-1	Back E2	1
90-2	Back E3	1
90-3	Back E4	1

Ref	Name	Qty
90-4	Connector	2
90-5	2.3x6mm screws (1 spare)	7

## STAGE 90: THE DORSAL GROWTHS (IV)



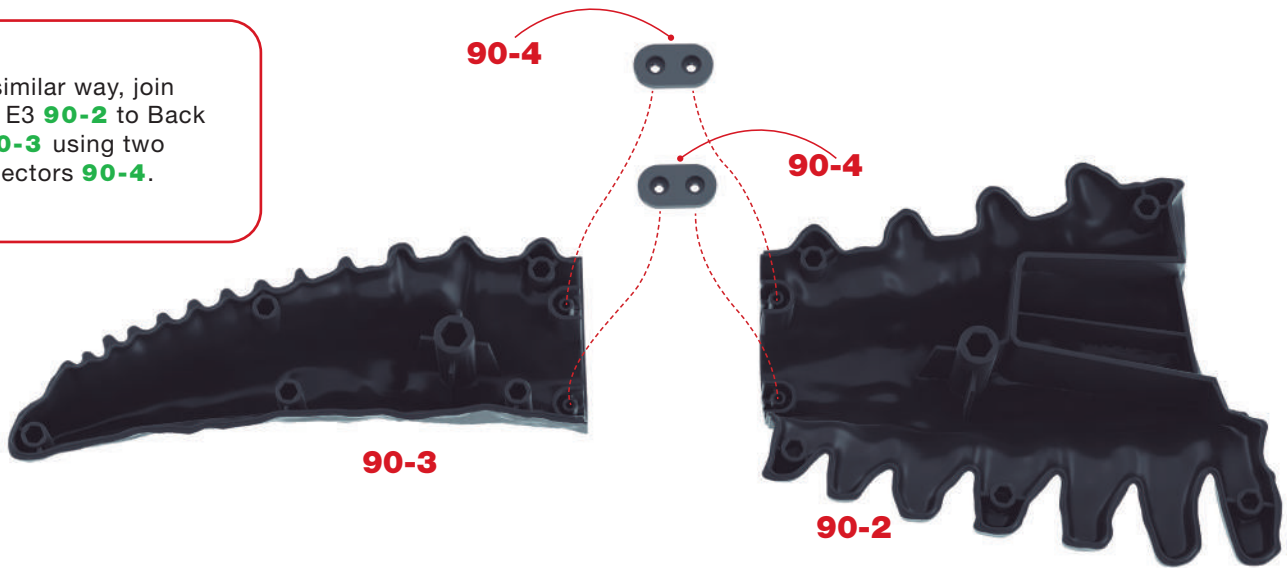
1  
Take the back assembly **89-2** from the last stage and join it to Back **90-1** using the two previously fitted Connectors **89-3**.



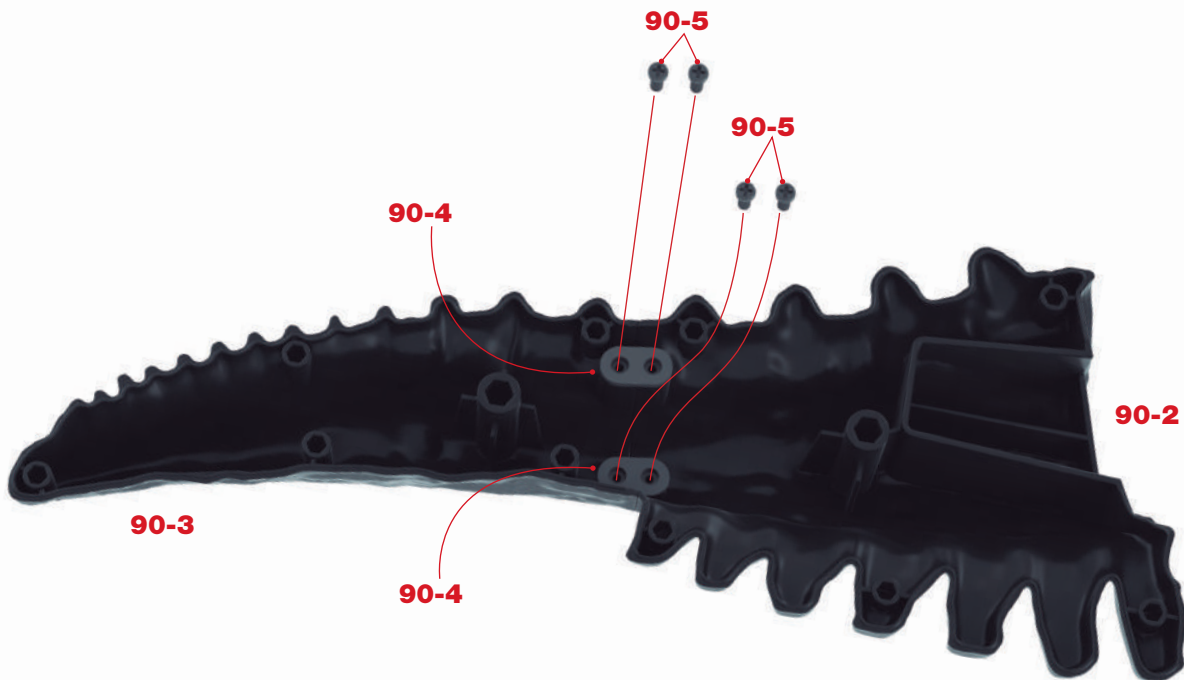
2  
When you are sure the parts are fitted correctly together, secure the connectors **89-3** in place with two 2.3x6mm screws **90-5**.

## STAGE 90: THE DORSAL GROWTHS (IV)

In a similar way, join Back E3 **90-2** to Back E4 **90-3** using two Connectors **90-4**.



3



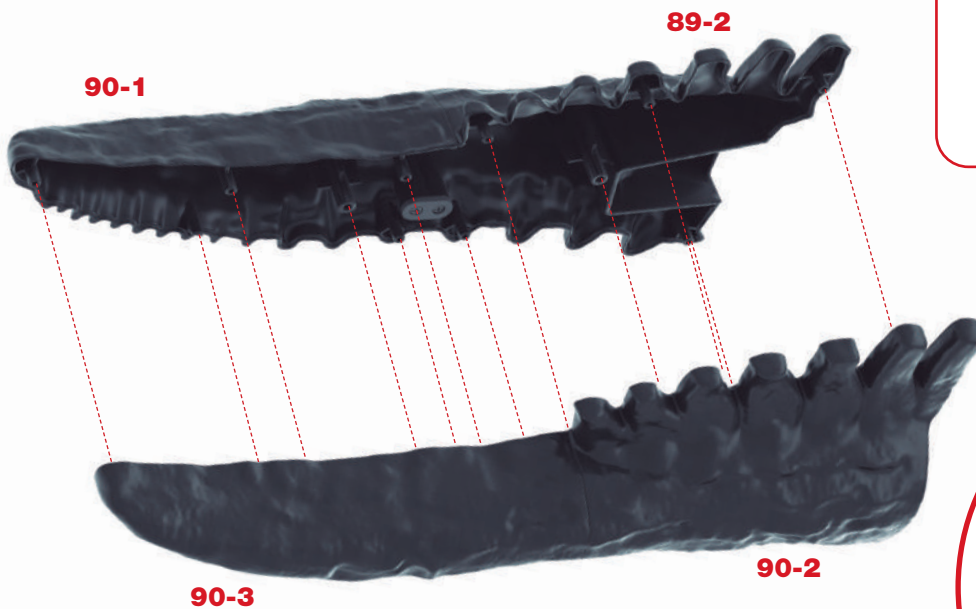
Fix the Connectors **90-4** in place with four 2.3x6mm screws **90-5**.

4



## STAGE 90: THE DORSAL GROWTHS (IV)

Take the back assemblies **89-2/90-1** and **90-2/90-3** and test-fit them together, as shown. There are twelve raised sockets on each that fit together. When sure of their fit, note the contact areas and glue the two assemblies together.



5

**STAGE 90 IS COMPLETE**



*A FURTHER DORSAL APPENDAGE  
HAS BEEN CONSTRUCTED.*

# STAGE 91: THE RIGHT SHOULDER GROWTH

In this stage you will work on the growth to be attached to the right shoulder.

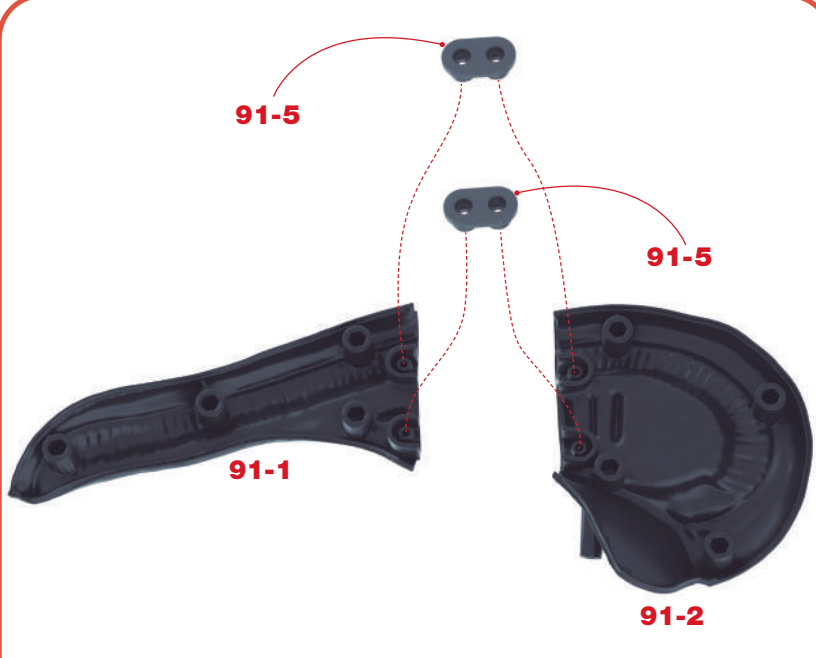


## PARTS SUPPLIED

Ref	Name	Qty	Ref	Name	Qty
91-1	Shoulder Appendage 1	1	91-4	Shoulder Appendage 4	1
91-2	Shoulder Appendage 2	1	91-5	Connector	4
91-3	Shoulder Appendage 3	1	91-6	2.3x6mm screws (1 spare)	9

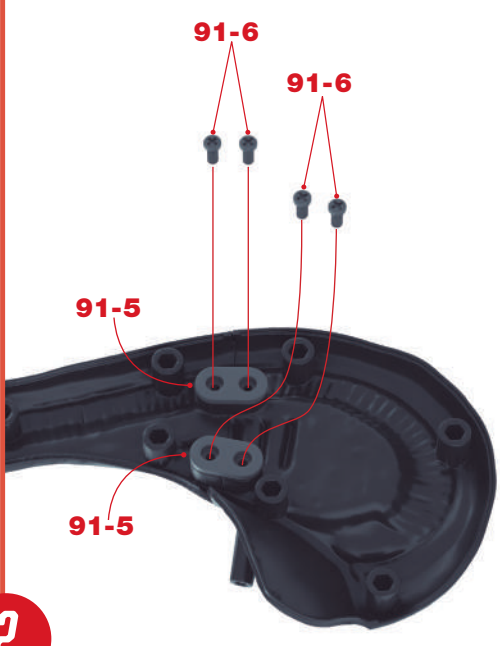
## STAGE 91: THE RIGHT SHOULDER GROWTH

**1**



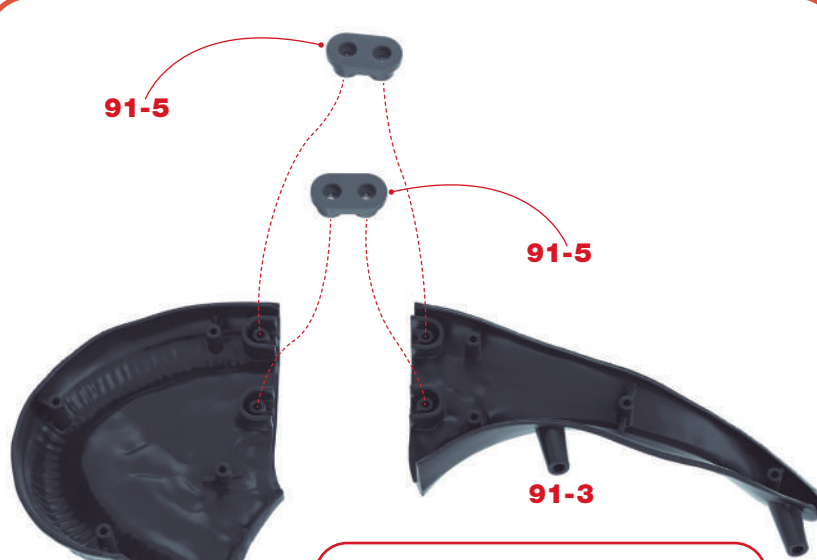
Take the Shoulder Appendages **91-1** and **91-2** and join them together by fitting two Connectors **91-5** over the raised screw sockets, as shown.

Fix the Connectors **91-5** in place with four 2.3x6mm screws **91-6**.



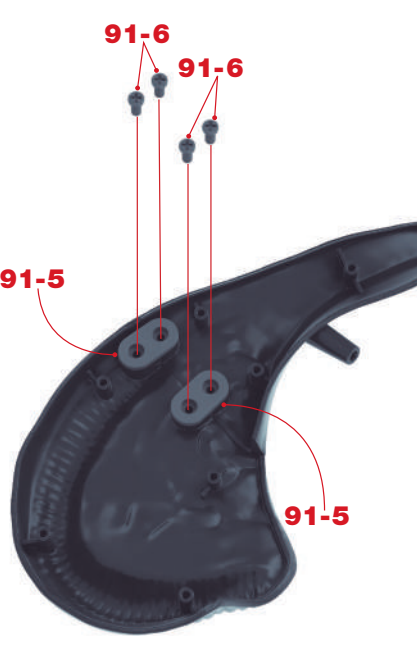
**2**

**3**



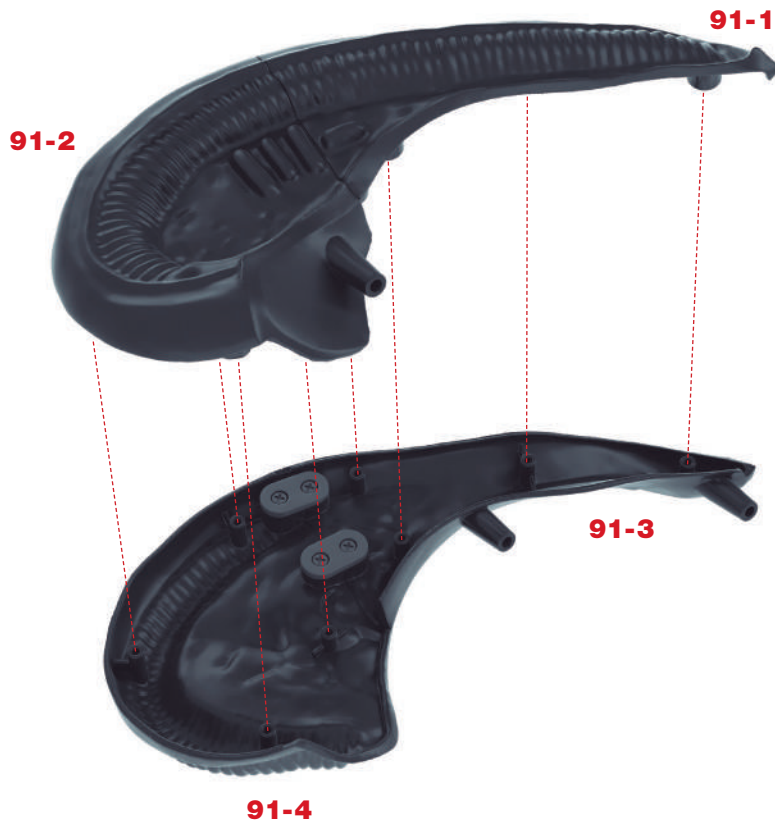
Next, take the Shoulder Appendages **91-3** and **91-4** and in a similar way to step 2, join them together by fitting two Connectors **91-5** over the raised screw sockets.

Fix the Connectors **91-5** in place with four 2.3x6mm screws **91-6**.



**4**

## STAGE 91: THE RIGHT SHOULDER GROWTH



Take the assembly **91-1/91-2** from step 2 and test-fit it, as shown, to assembly **91-3/91-4**. When sure of their fit, note the contact areas and glue the two assemblies together.

5

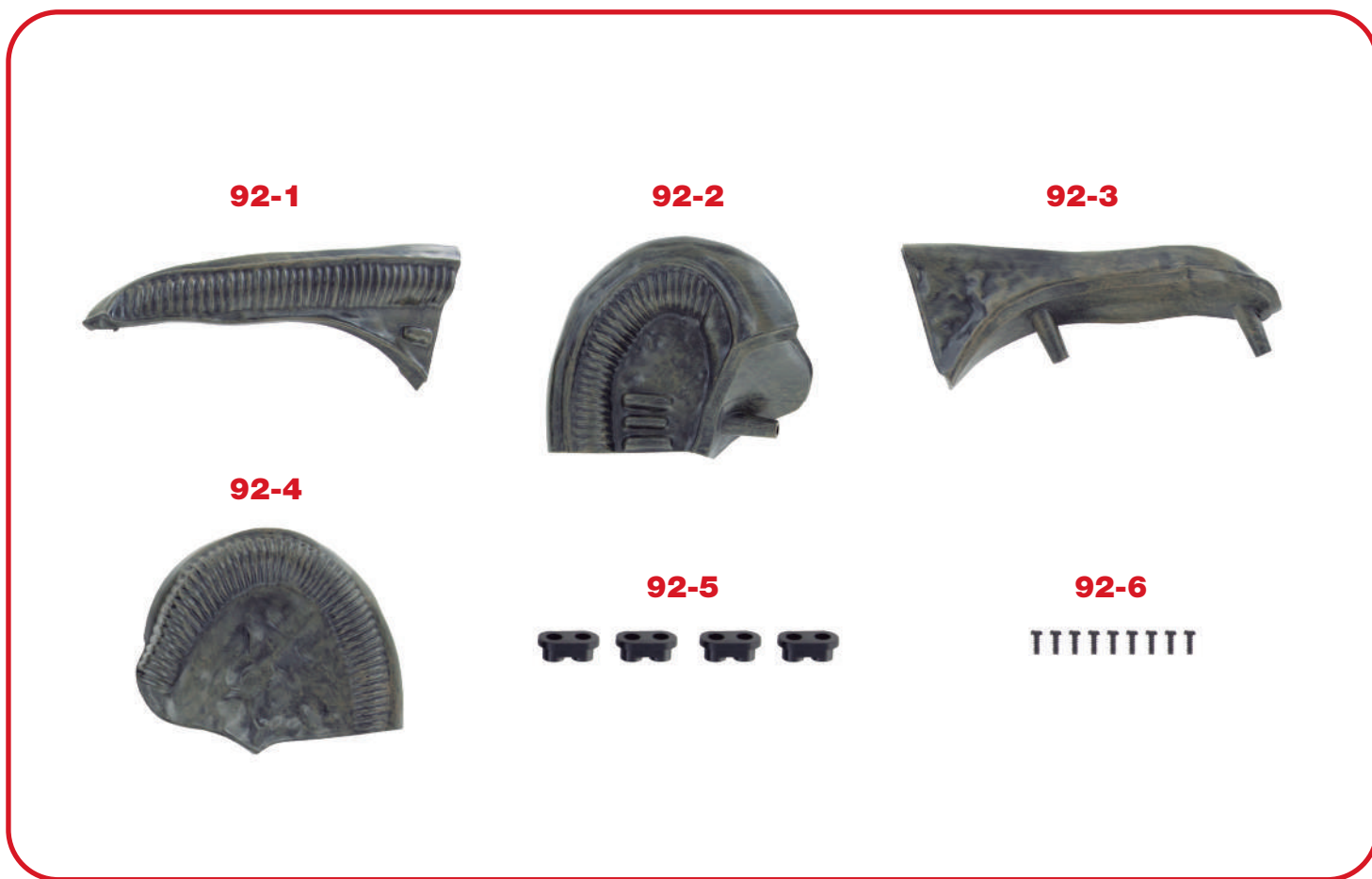
## STAGE 91 IS COMPLETE



**THE RIGHT SHOULDER GROWTH  
HAS BEEN CONSTRUCTED.**

# STAGE 92: THE LEFT SHOULDER GROWTH

In this stage you will work on the growth to be attached to the left shoulder.

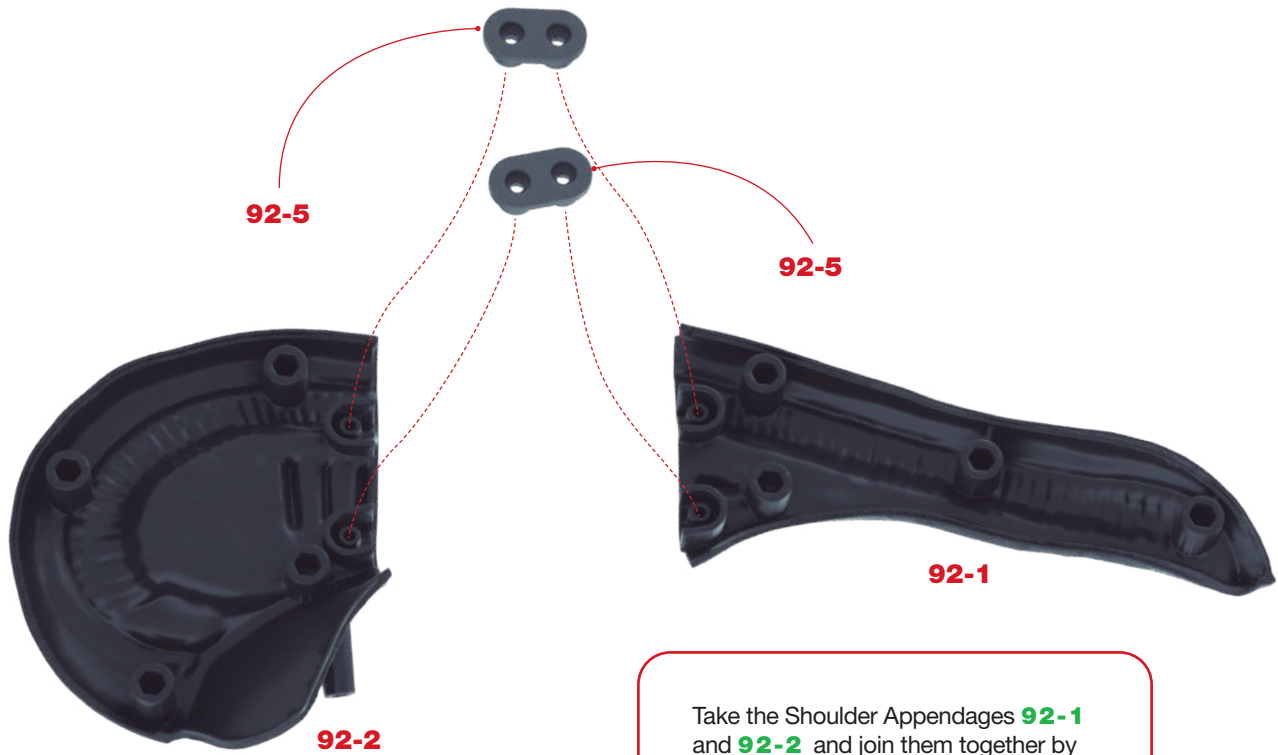


## PARTS SUPPLIED

Ref	Name	Qty
92-1	Shoulder Appendage 5	1
92-2	Shoulder Appendage 6	1
92-3	Shoulder Appendage 7	1

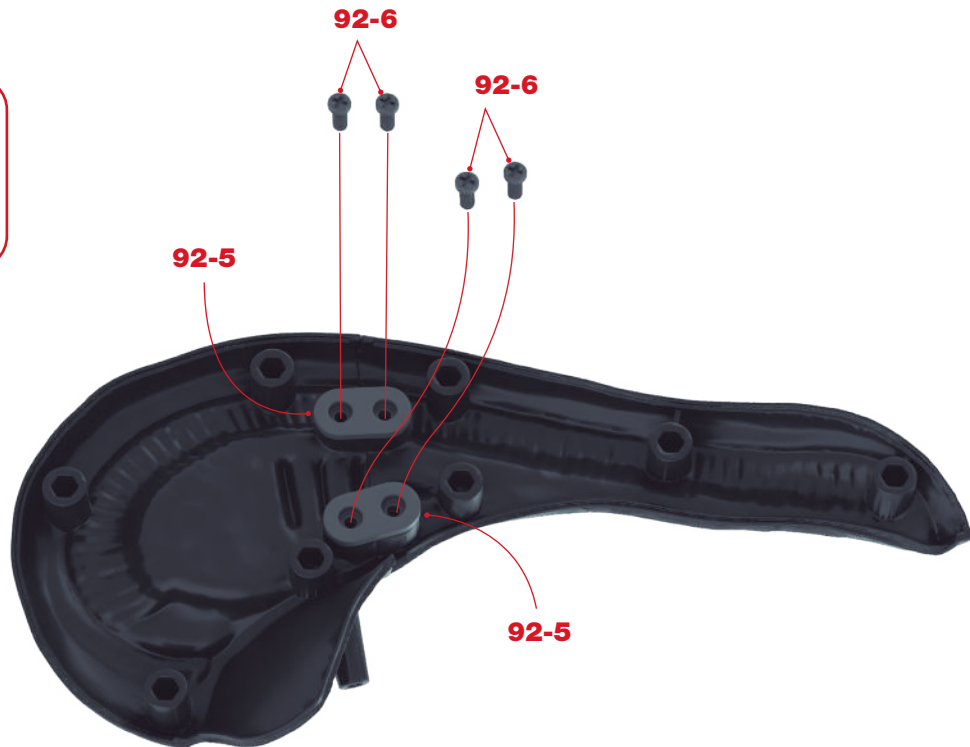
Ref	Name	Qty
92-4	Shoulder Appendage 8	1
92-5	Connector	4
92-6	2.3x6mm screws (1 spare)	9

## STAGE 92: THE LEFT SHOULDER GROWTH



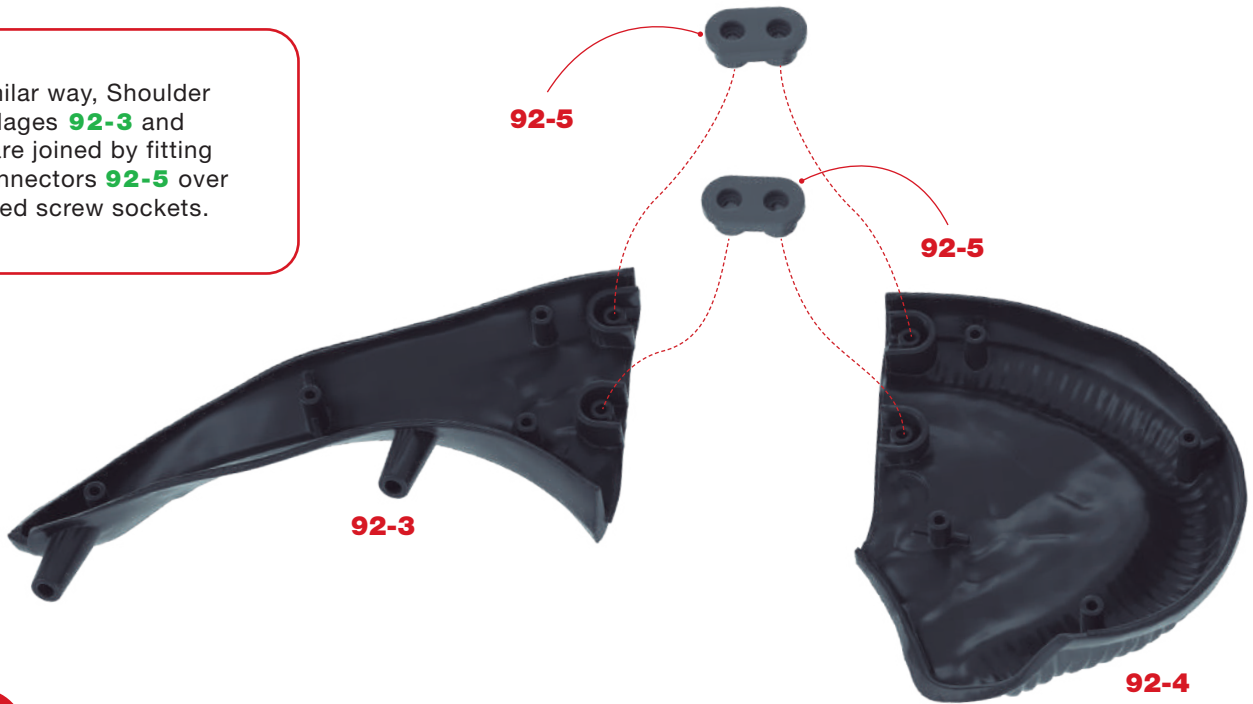
Take the Shoulder Appendages **92-1** and **92-2** and join them together by fitting two Connectors **92-5** over the raised screw sockets, as shown.

Secure each Connector **92-5** in place using two 2.3x6mm screws **92-6**.

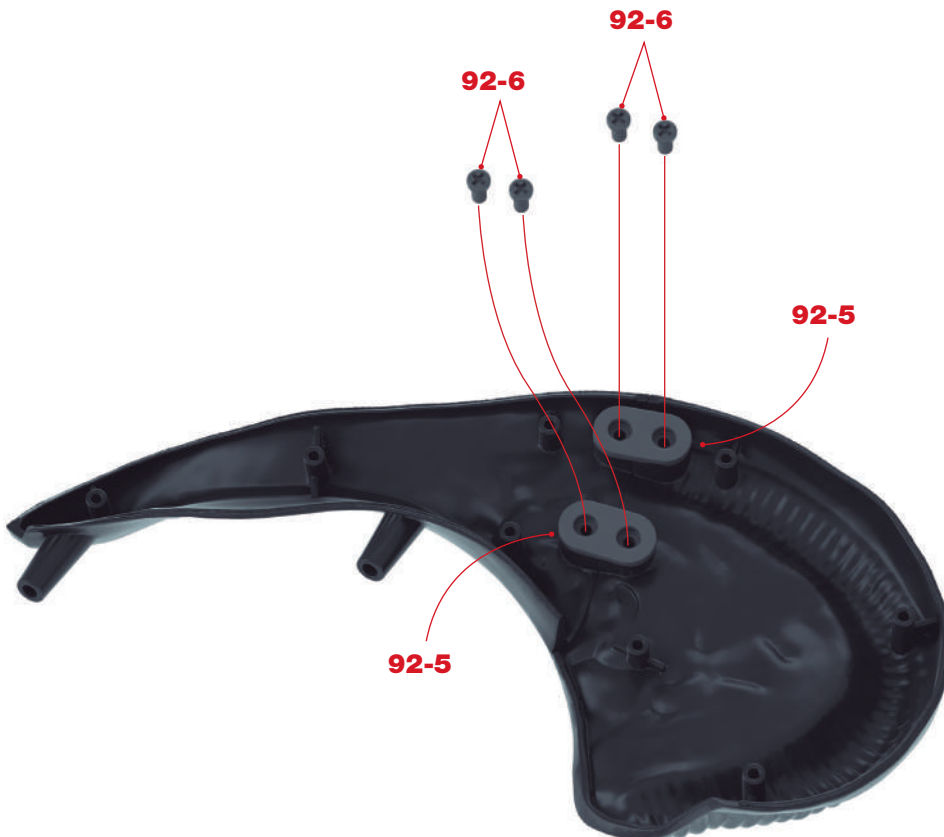


## STAGE 92: THE LEFT SHOULDER GROWTH

In a similar way, Shoulder Appendages **92-3** and **92-4** are joined by fitting two Connectors **92-5** over the raised screw sockets.



3



Fix each Connector **92-5** in place with two 2.3x6mm screws **92-6**.

4

## STAGE 92: THE LEFT SHOULDER GROWTH



The two assemblies **92-1/92-2** and **92-3/92-4** are test-fitted together, as indicated by the red lines. After noting the contact areas, glue the two assemblies firmly together.

5

**STAGE 92 AND PACK 12  
ARE NOW COMPLETE**



**THE LEFT SHOULDER GROWTH  
HAS BEEN CONSTRUCTED.**