

**NO
TIME
TO
DIE** *007[™]*

DB5



Pack 05

BUILD INSTRUCTIONS

STAGE 031: FITTING THE REAR CHASSIS

STAGE 032: BUILDING THE REAR AXLE

**STAGE 033: FITTING THE REAR RIGHT
BRAKE DISC**

**STAGE 034: FITTING THE REAR LEFT
BRAKE DISC**

**STAGE 035: ASSEMBLING THE
REAR SUSPENSION**

**STAGE 036VB: BUILDING A REAR
WHEEL RIM (EASY-BUILD)**

**STAGE 036: BUILDING THE OUTER WHEEL
RIM (REGULAR)**

**STAGE 037: BUILDING THE INNER WHEEL
RIM (REGULAR)**

**STAGE 038: FITTING THE TYRE
AND THE TYRE SLASHER**

NO TIME TO DIE © Danjaq, LLC and Metro-Goldwyn-Mayer Studios Inc. NO TIME TO DIE, *007[™]* and related James Bond Indicia © 1962-2024 Danjaq, LLC and Metro-Goldwyn-Mayer Studios Inc. NO TIME TO DIE, *007[™]* and related James Bond Trademarks are trademarks of Danjaq, LLC. All Rights Reserved.



Aston Martin, the Aston Martin Wings logo and the model name "DB5" are trademarks owned, licensed or used by Aston Martin Lagonda Limited. All Rights Reserved.

Advice from the experts

Spare screws are included with each part. Occasionally, you may be instructed to keep spare or unused screws for a later stage. Keep these spares in a safe place and label them correctly.

Please make sure you don't mix up the screws. They look quite similar, but the threads do vary slightly. Using the wrong screws may damage the parts.

When securing parts together using multiple screws, fit each screw loosely to ensure all the parts are correctly aligned before gently tightening them firmly, but not overtight, in the order in which you placed them.

The screwdriver can be magnetized by stroking it with a magnet (fridge magnet, etc.) enabling it to hold the screws and make assembly easier.

If a screw is tight going into a metal part, do not force it as you may shear the head off. Remove it and put a tiny smear of Vaseline, soap or light oil on the thread. That will lubricate it and make it easier to drive home.

During the course of this build, you will receive many pieces that you will assemble immediately – following the instructions in the corresponding stage – and other pieces that you should store safely to one side, for use in future assembly stages.

Left and Right! When building your *No Time To Die* Aston Martin DB5, the left- or right-hand side refers to that side as if you are sitting in the car.



WARNING: Some parts are assembled using magnets. These magnets can cause serious injury if they are swallowed. Keep away from children. If you suspect a magnet has been swallowed, seek medical help straight away.

Stage 031: Fitting the Rear Chassis

In this stage you'll attach the rear chassis to the main assembly.

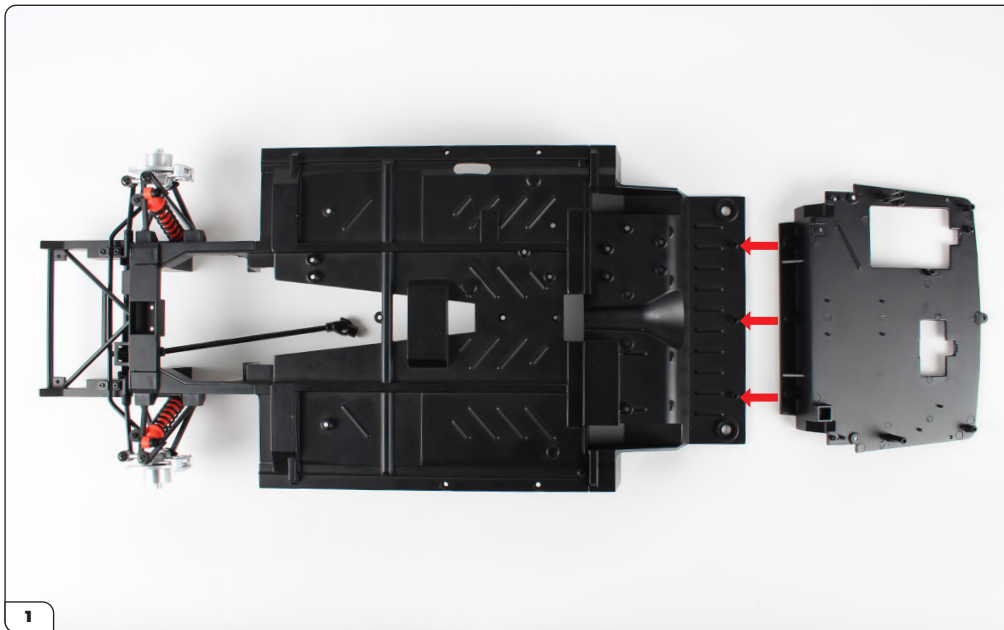


STAGE 031 PARTS LIST

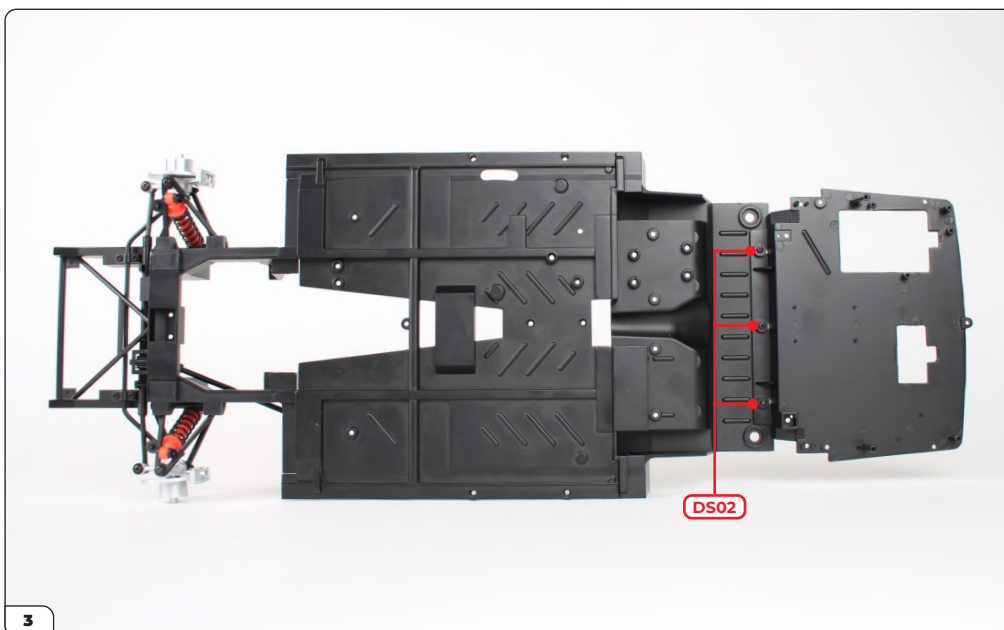
Name
31-A Rear chassis
DS02 screw x4



Stage 031: Fitting the Rear Chassis



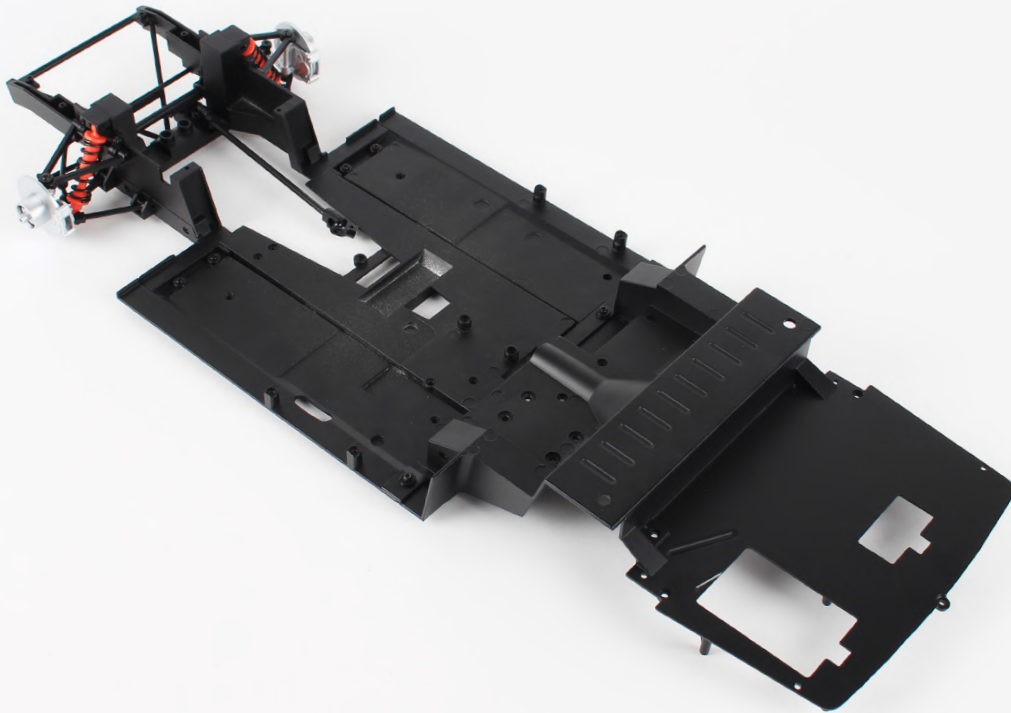
Take the chassis assembly and align it with the rear chassis (31-A) as shown.



Fit the rear chassis onto the raised screw posts then secure in place with 3x DS02 screws.

Stage 031: Fitting the Rear Chassis

STAGE COMPLETE



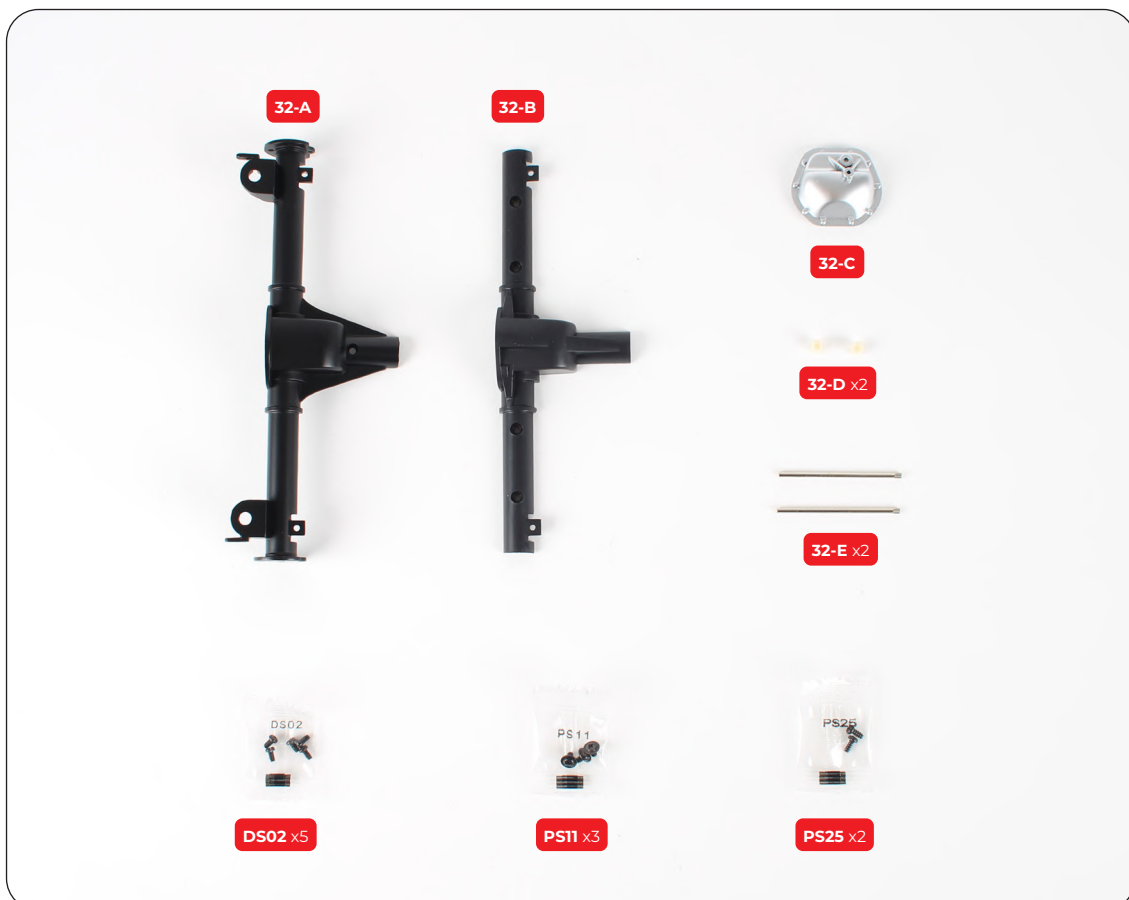
Stage 032: Building the Rear Axle

You'll start to build the rear axle in this stage, starting with fitting the top and bottom parts together.



STAGE 032 PARTS LIST

Name
32-A Rear axle bottom
32-B Rear axle top
32-C Differential cover
32-D Pin cap x2
32-E Pin x2
DS02 screw x5
PS11 screw x3
PS25 screw x2



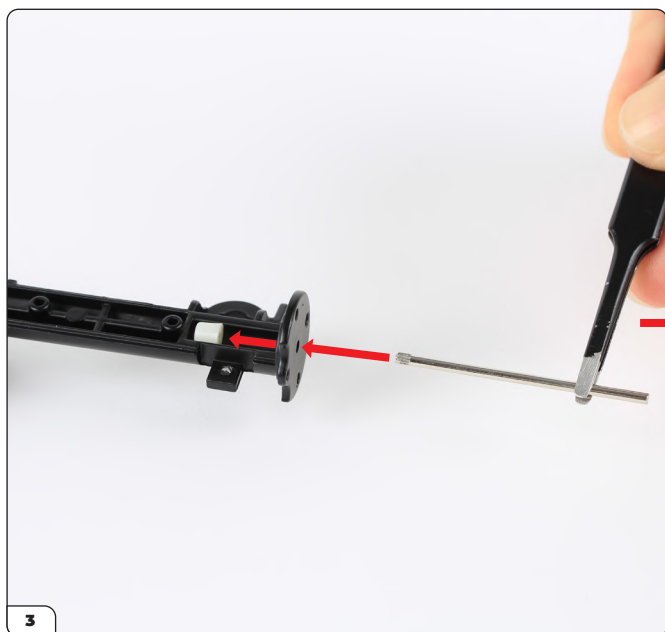
Stage 032: Building the Rear Axle



Take the rear axle bottom (32-A) and place one of the pin caps (32-D) into the recess.



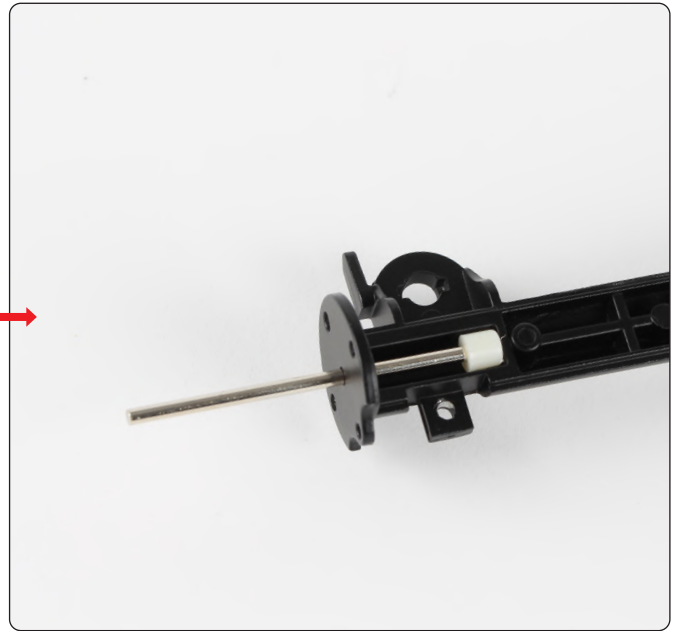
The hole in the cap should face outwards as shown (arrow).



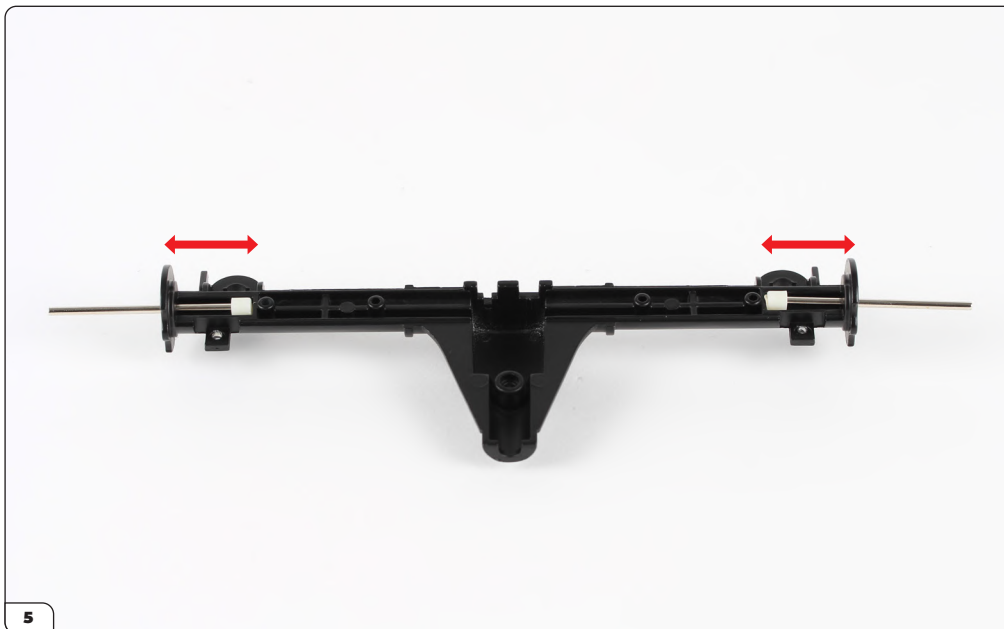
Fit the splined end of a pin (32-E) through the hole and press it into the cap.



Stage 032: Building the Rear Axle



Fit the remaining cap and pin into the other side in the same way.



Check the pins are firmly inside the caps. They should slide back and forth without coming loose.

Stage 032: Building the Rear Axle



Fit the differential cover (32-C) onto the axle using the shaped plug as a guide (arrow).

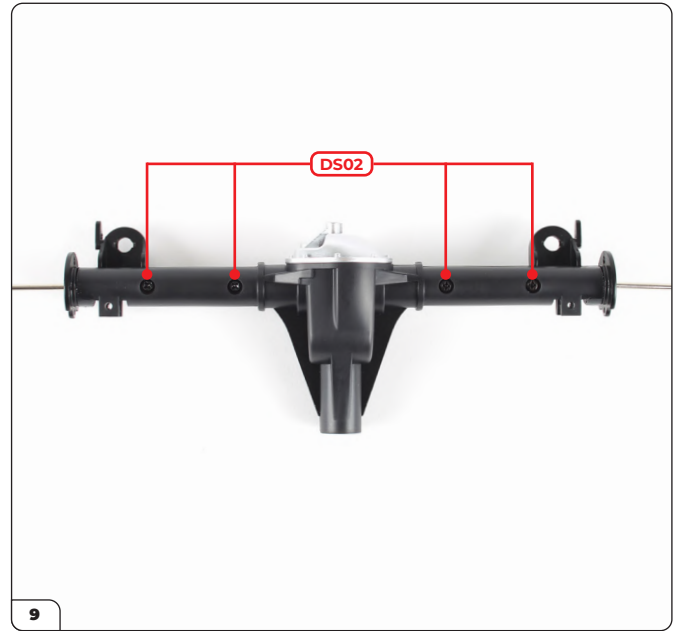


Hold the cover in place and secure with 2x PS11 screws.

Stage 032: Building the Rear Axle



Align the rear axle top (32-B) with the assembly.



Fit the top and secure with 4x DS02 screws.



Turn the assembly over and secure the other side with a PS25 screw.

Stage 032: Building the Rear Axle

STAGE COMPLETE



Stage 033: Fitting the Rear Right Brake Disc

In this stage you'll continue working on the rear axle by building and fitting the rear right hub, shock absorber and brake disc.



STAGE 033 PARTS LIST

Name	Name
33-A Rear axle inside plate (R)	33-H Rear axle shock absorber
33-B Brake disc (inner)	33-I Rear axle bottom arm
33-C Brake disc (outer)	33-J Rear axle top arm
33-D Rear hub (R)	PS11 screw x2
33-E Rear caliper (R)	PS14 screw x3
33-F Arm holder	PS21 screw x3
33-G Pin x4	PS34 screw x5



Stage 033: Fitting the Rear Right Brake Disc



Take the rear hub (33-D) and the brake disc inner (33-B). Note the pin and hole (circled).



Fit the hub into the brake disc using the pin and hole as a guide.



Align the brake disc outer (33-C) with the rear axle inside plate (33-A).

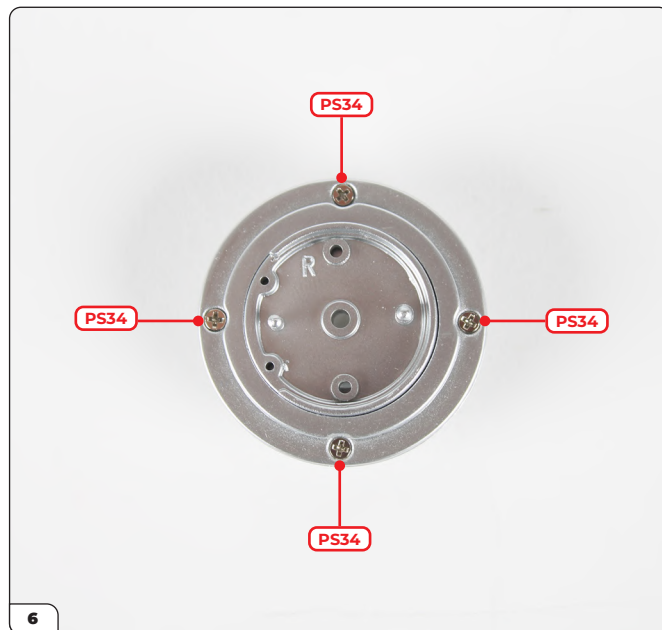


Fit the disc over the plate.

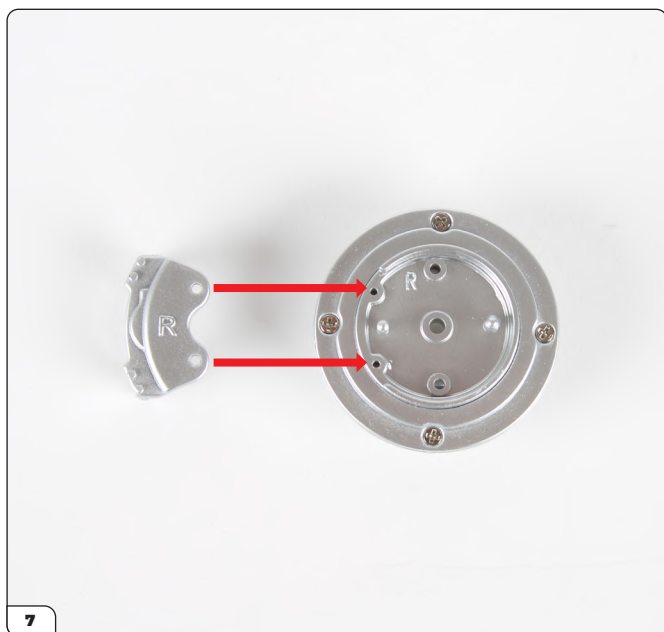
Stage 033: Fitting the Rear Right Brake Disc



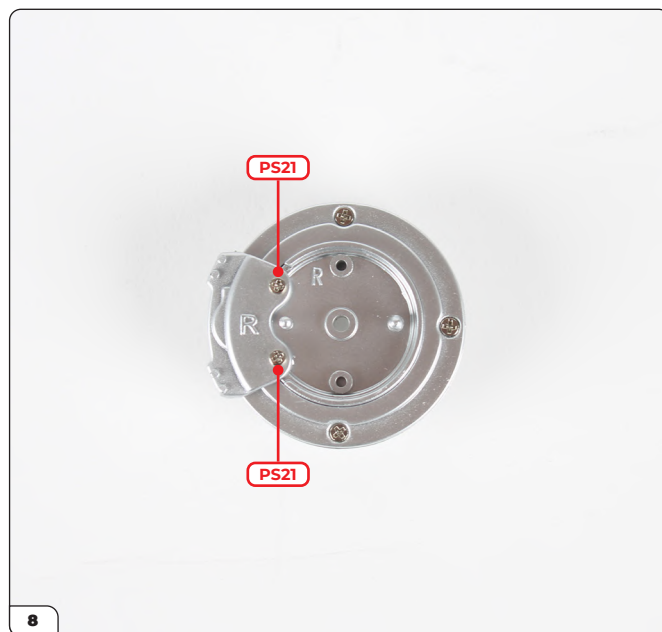
Align the screw holes of the inner and outer brake disc as shown.



Fit together and secure with 4x PS34 screws.



Align the rear caliper (33-E) with the two screw holes on the inside plate.



Fit and secure with 2x PS21 screws.

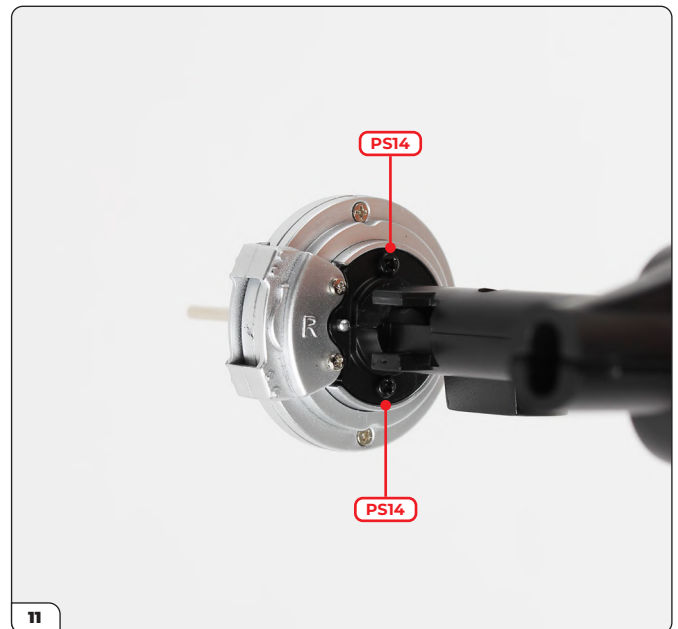
Stage 033: Fitting the Rear Right Brake Disc



Align the brake disc with the rear axle assembly (stage 32) as shown.

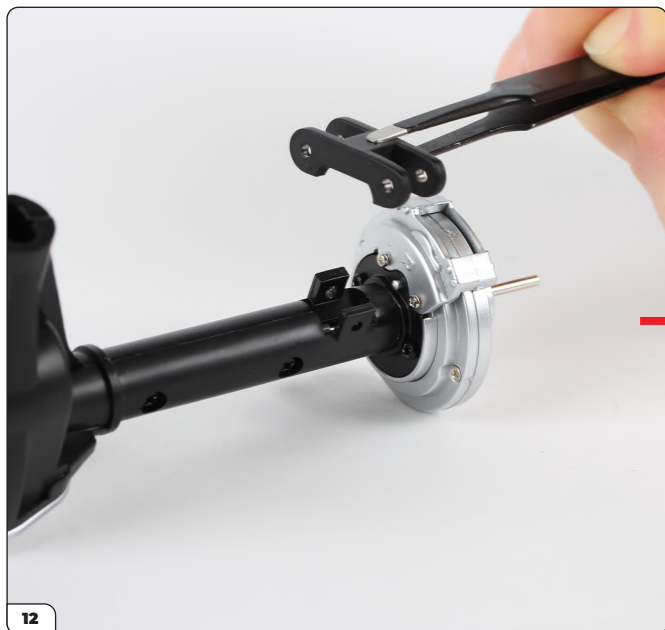


Fit the disc over the pin and push into place on the axle.

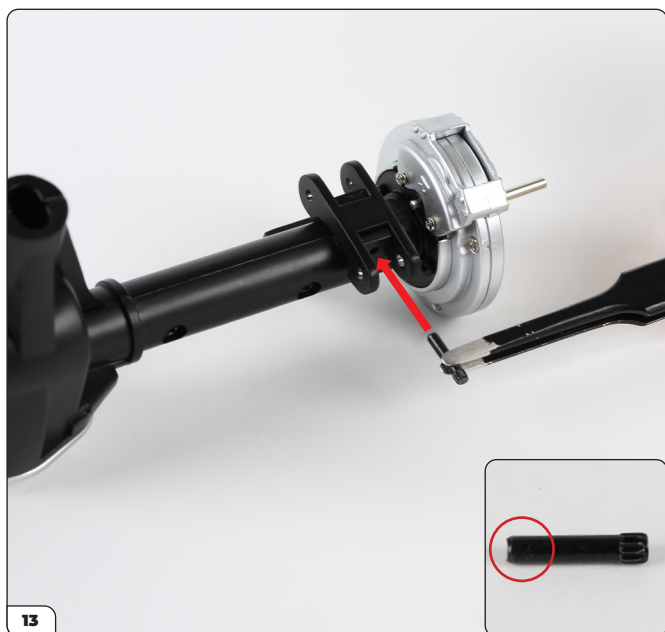


Secure with 2x PS14 screws.

Stage 033: Fitting the Rear Right Brake Disc



Fit the arm holder (33-F) between the two tabs as shown.

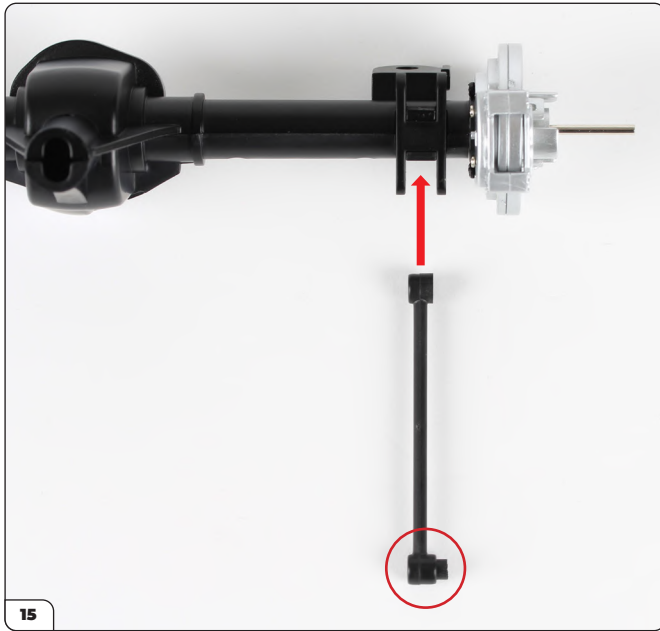


Take one of the pins and fit the smooth end (circled) through the hole in the tab.



Use pliers to press the pin until flush (inset).

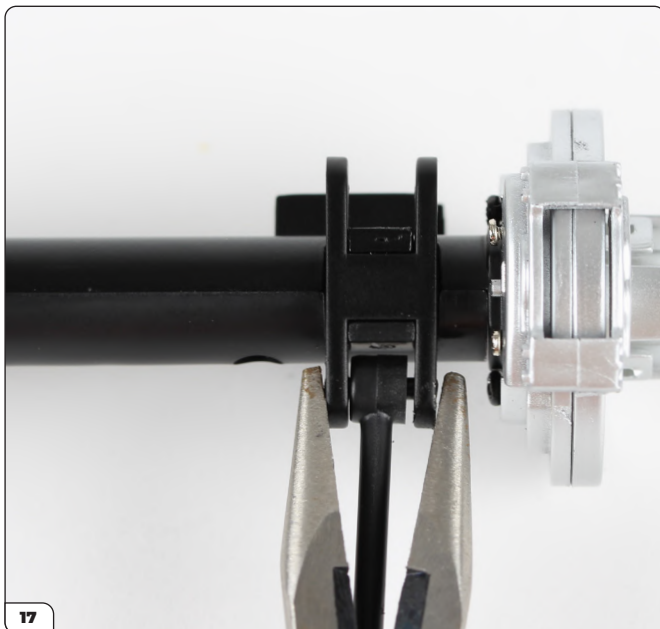
Stage 033: Fitting the Rear Right Brake Disc



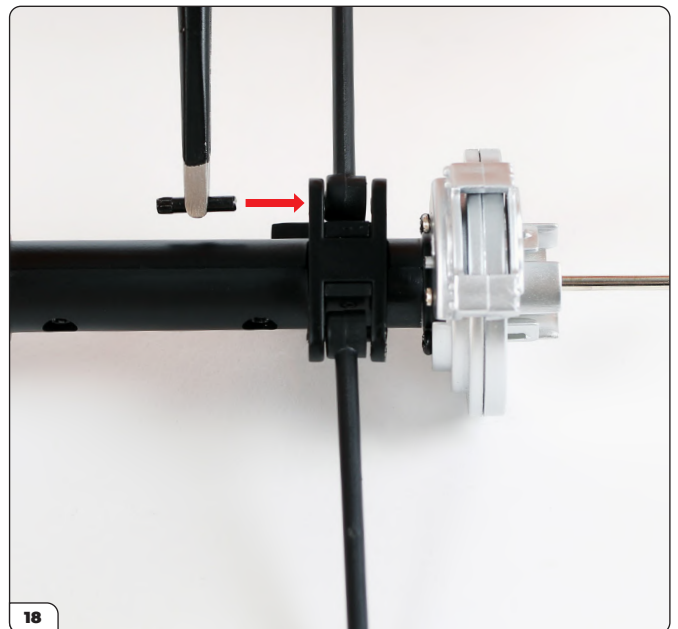
Align the bottom arm (33-I) with the assembly as shown. Note the bottom and top arm (33-J) are identical and can be used interchangeably. Ensure the screw post is oriented the correct way (circled).



Position the arm into the holder then fit the smooth end of a pin through as shown.

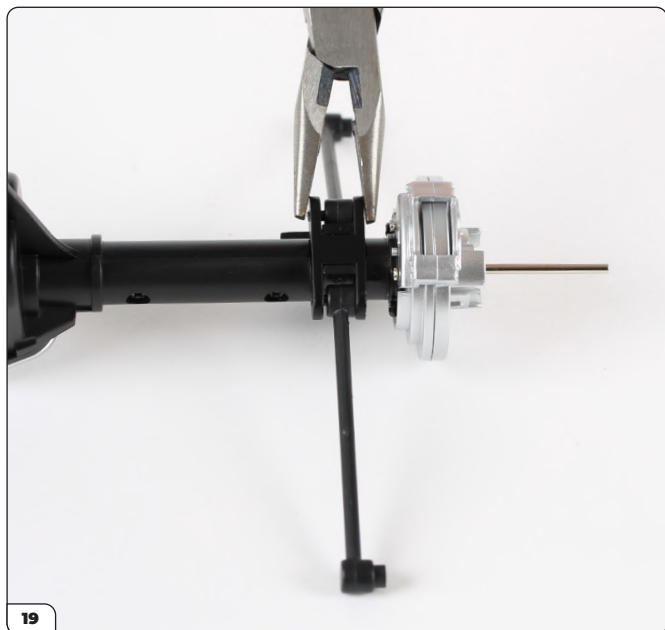


Use pliers to press the pin until flush.

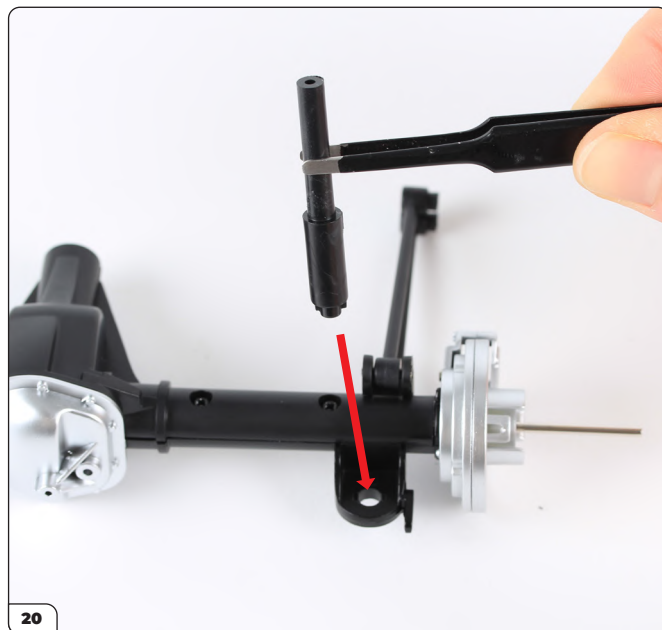


Fit the other arm in the opposite side of the holder and push a pin through as shown.

Stage 033: Fitting the Rear Right Brake Disc



Use pliers to press the pin flush.



Fit the rear axle shock absorber (33-H) into the shaped hole.



Secure from underneath with a PS11 screw.

Stage 033: Fitting the Rear Right Brake Disc

STAGE COMPLETE



Stage 034: Fitting the Rear Left Brake Disc

In this stage you'll fit the rear left brake disc following the same steps as before.



STAGE 034 PARTS LIST

Name	Name
34-A Rear axle inside plate (L)	34-H Rear axle shock absorber
34-B Brake disc (inner)	34-I Rear axle bottom arm
34-C Brake disc (outer)	34-J Rear axle top arm
34-D Rear hub (L)	PS11 screw x2
34-E Rear caliper (L)	PS14 screw x3
34-F Arm holder	PS21 screw x3
34-G Pin x4	PS34 screw x5



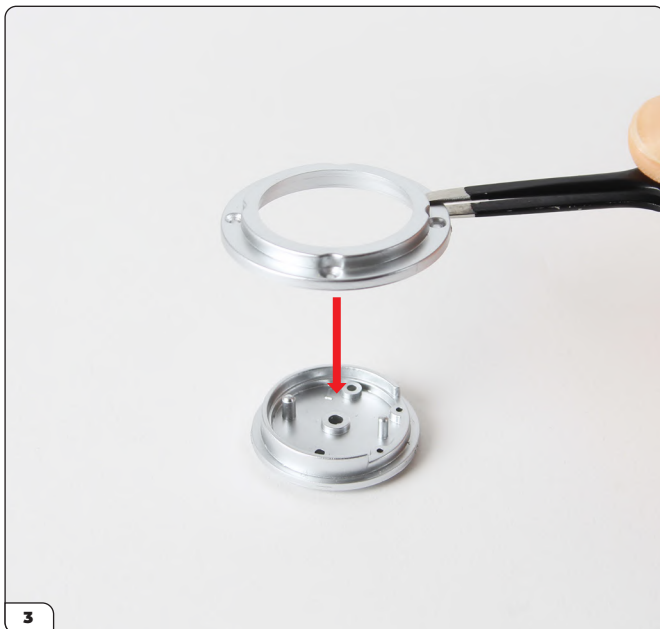
Stage 034: Fitting the Rear Left Brake Disc



Take the rear hub (34-D) and the brake disc inner (34-B). Note the pin and hole (circled).



Fit the hub into the brake disc using the pin and hole as a guide.



Align the brake disc outer (34-C) with the rear axle inside plate (34-A).

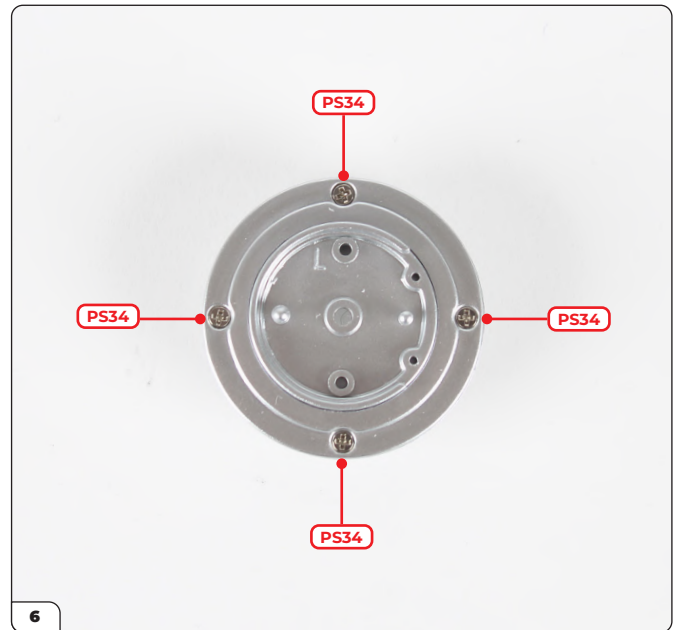


Fit the disc over the plate.

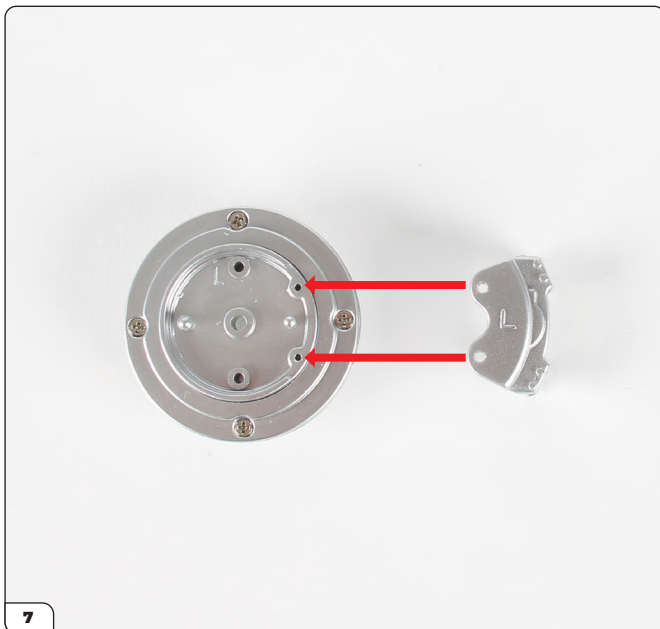
Stage 034: Fitting the Rear Left Brake Disc



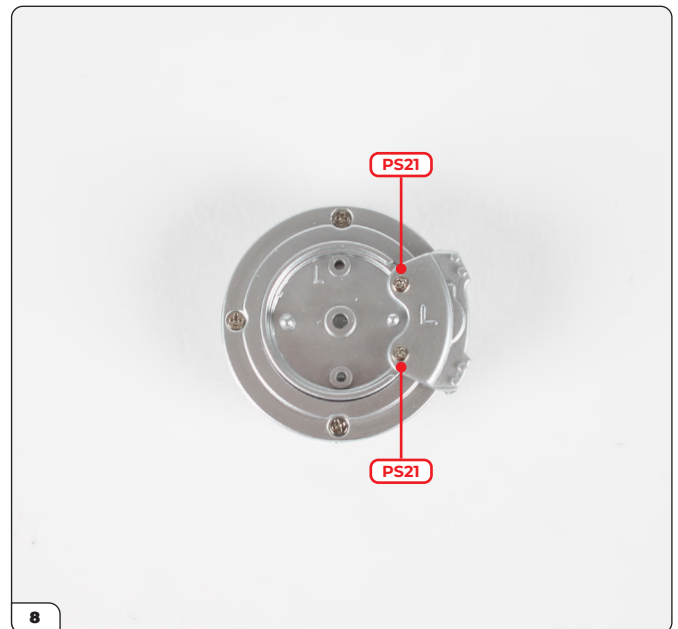
Align the screw holes of the inner and outer brake disc as shown.



Fit together and secure with 4x PS34 screws.

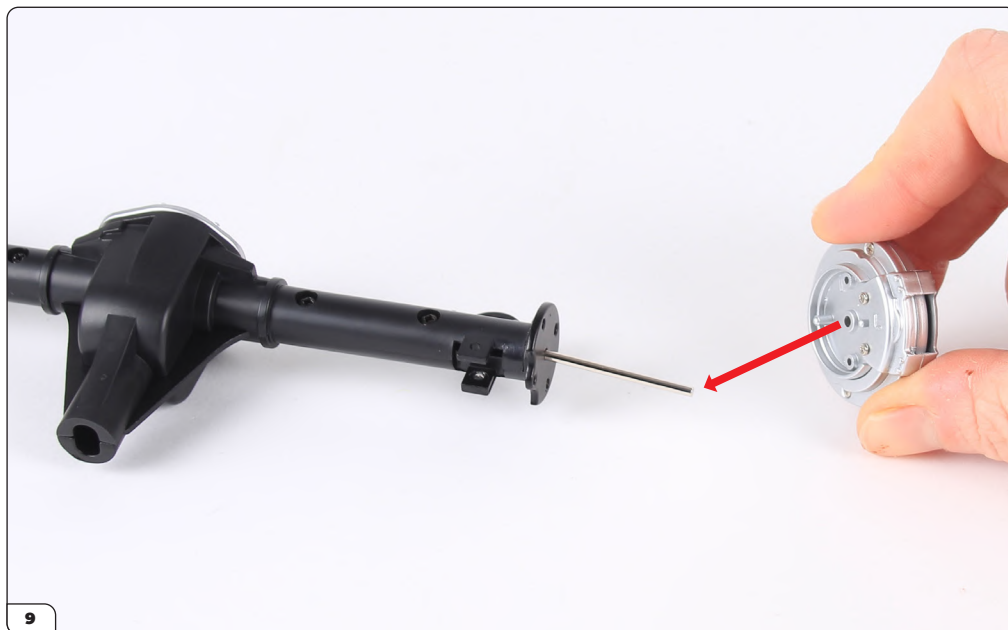


Align the right caliper (34-E) with the two screw holes on the inside plate.



Fit and secure with 2x PS21 screws.

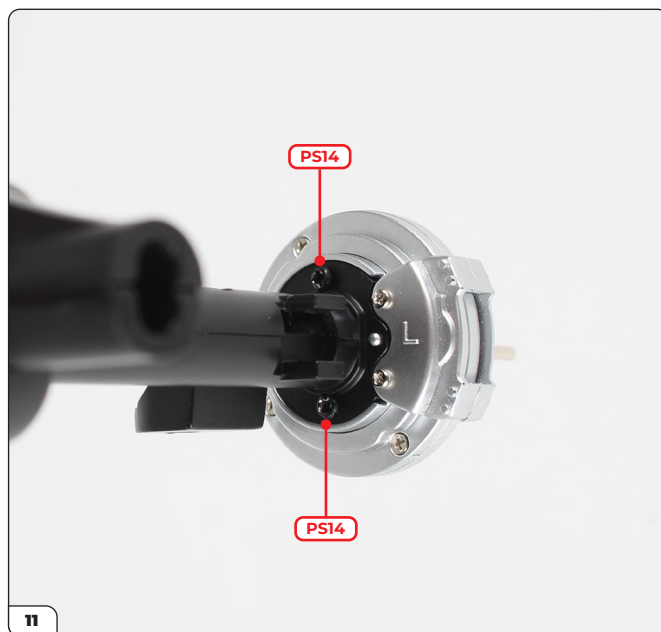
Stage 034: Fitting the Rear Left Brake Disc



Align the brake disc with the rear axle assembly (stage 33) as shown.



Fit the disc over the pin and push into place on the axle.



Secure with 2x PS14 screws.

Stage 034: Fitting the Rear Left Brake Disc



Fit the arm holder (34-F) between the two tabs as shown.

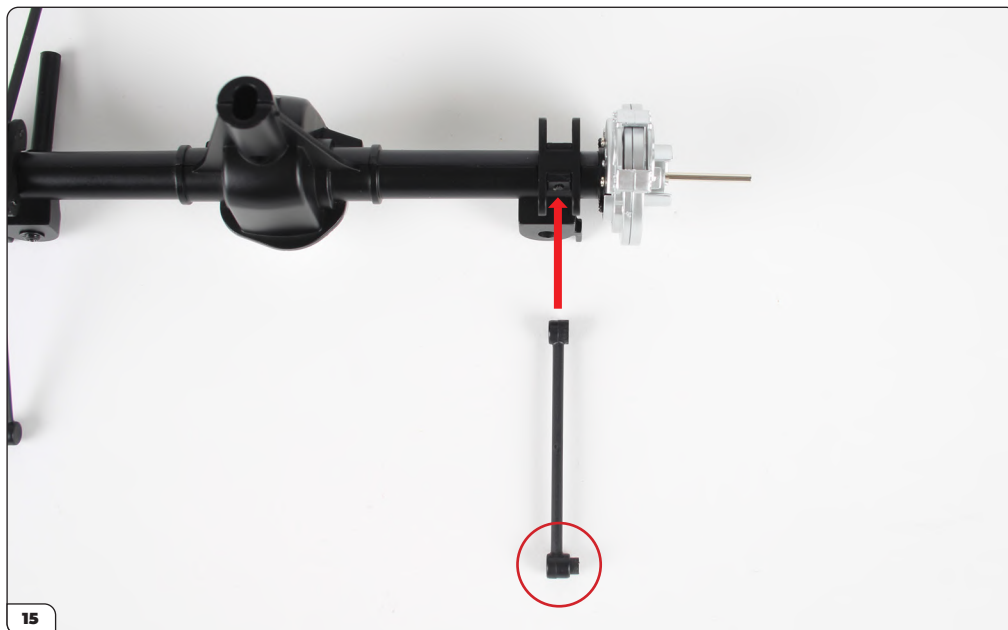


Take on of the pins and fit the smooth end (circled) through the hole in the tab.

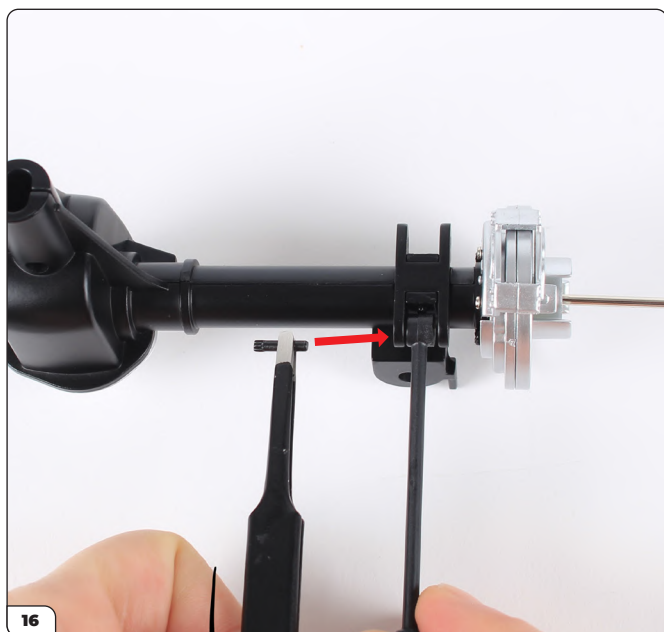


Use pliers to press the pin until flush (inset).

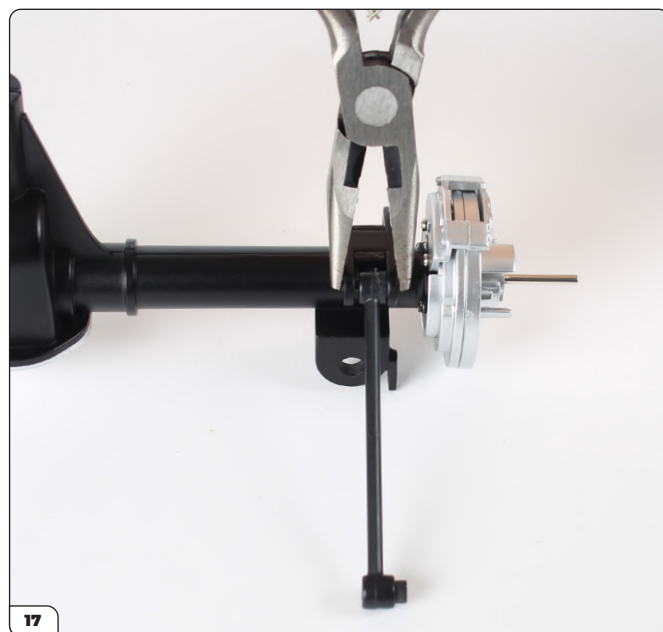
Stage 034: Fitting the Rear Left Brake Disc



Align the bottom arm (34-I) with the assembly as shown. Ensure the screw post is oriented the correct way (circled).

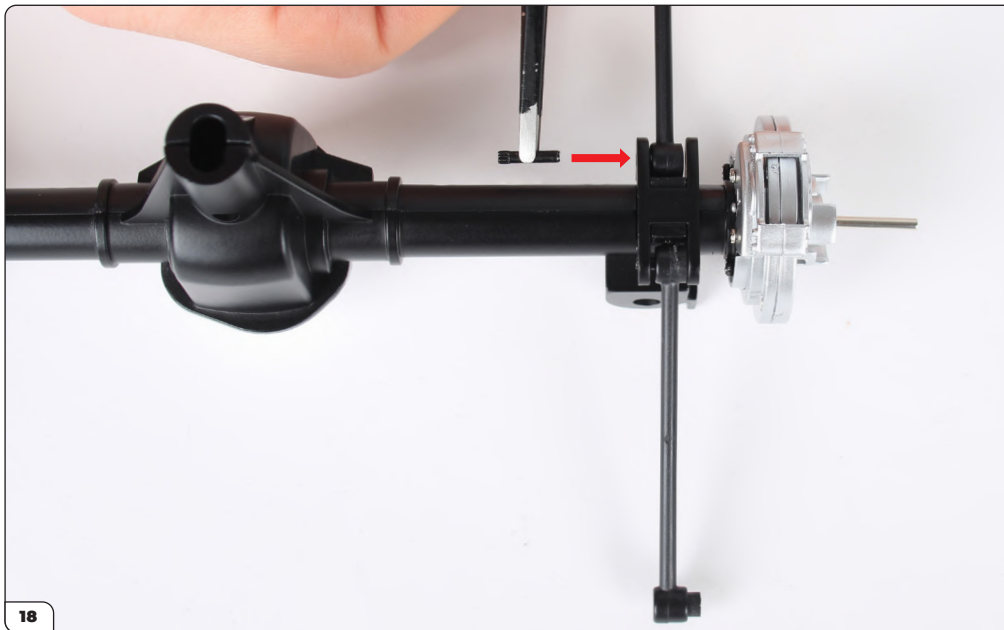


Position the arm into the holder then fit the smooth end of a pin through as shown.



Use pliers to press the pin until flush.

Stage 034: Fitting the Rear Left Brake Disc

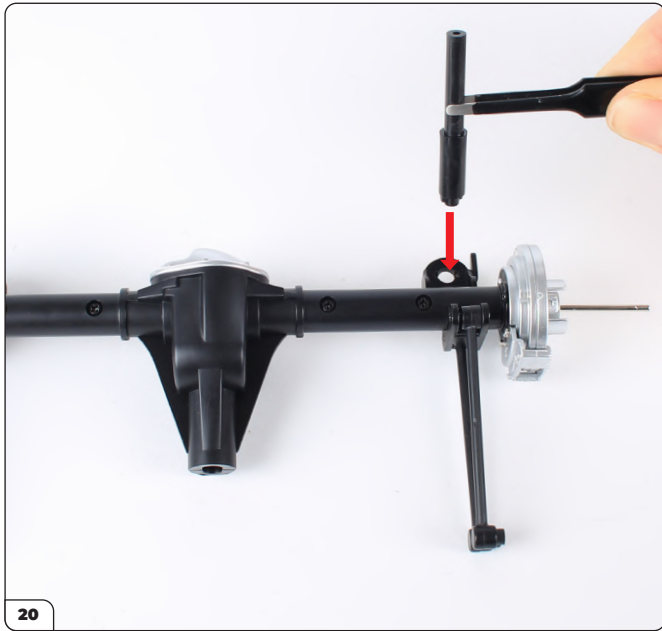


Fit the other arm in the opposite side of the holder and push a pin through as shown then use pliers to press it flush.



The arms of the rear axle should look like this once fitted.

Stage 034: Fitting the Rear Left Brake Disc



Fit the rear axle shock absorber (34-H) into the shaped hole.



Secure from underneath with a PS11 screw.



Stage 035: Assembling the Rear Suspension

In this stage you'll assemble the rear suspension and fit the rear axle and the drive shaft in place.



STAGE 035 PARTS LIST

Name	Name
35-A Drive shaft	35-G Left stabiliser bar holder
35-B Rear transverse stabiliser bar (R)	35-H Right stabiliser bar holder
35-C Rear transverse stabiliser bar (L)	35-I Spring x2
35-D Stabiliser bar connection	PS11 screw x7
35-E Right stabiliser	PS14 screw x3
35-F Left stabiliser	PS25 screw x9



Stage 035: Assembling the Rear Suspension

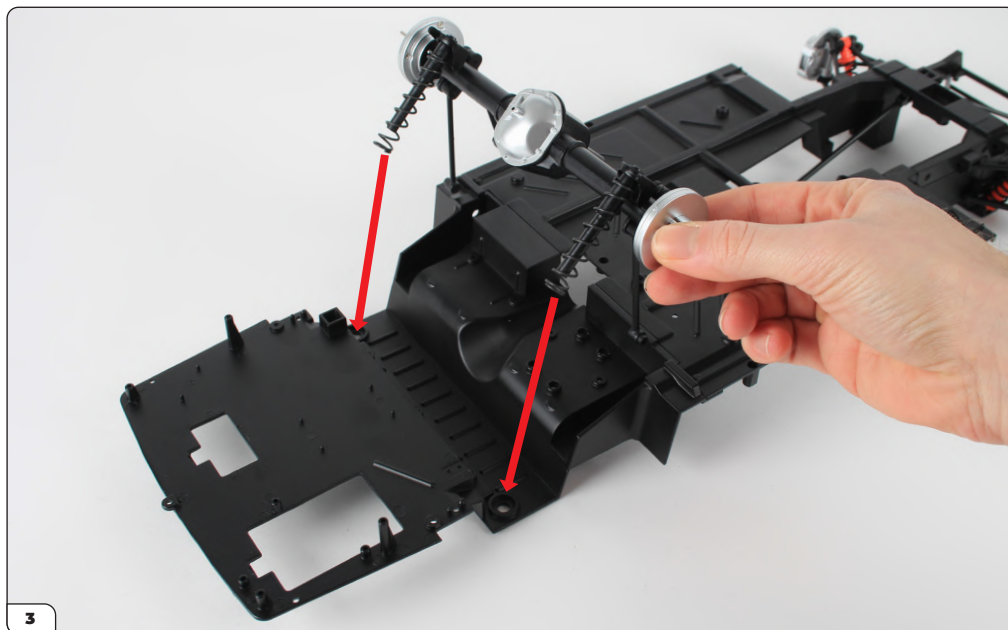


Place one of the springs (35-l) onto the rear right shock absorber.

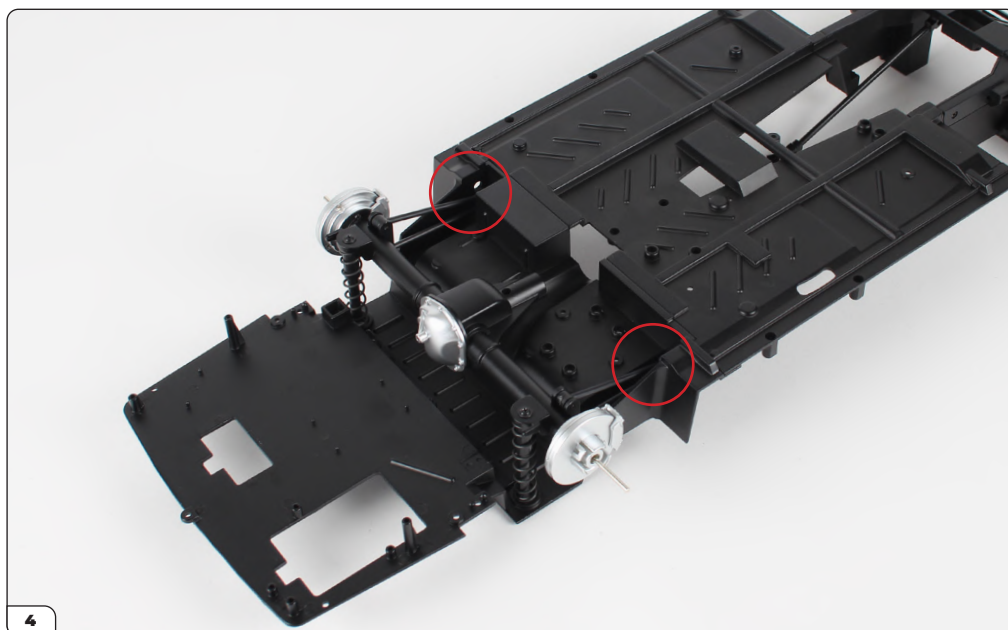


Fit the other spring onto the rear left shock absorber in the same way.

Stage 035: Assembling the Rear Suspension

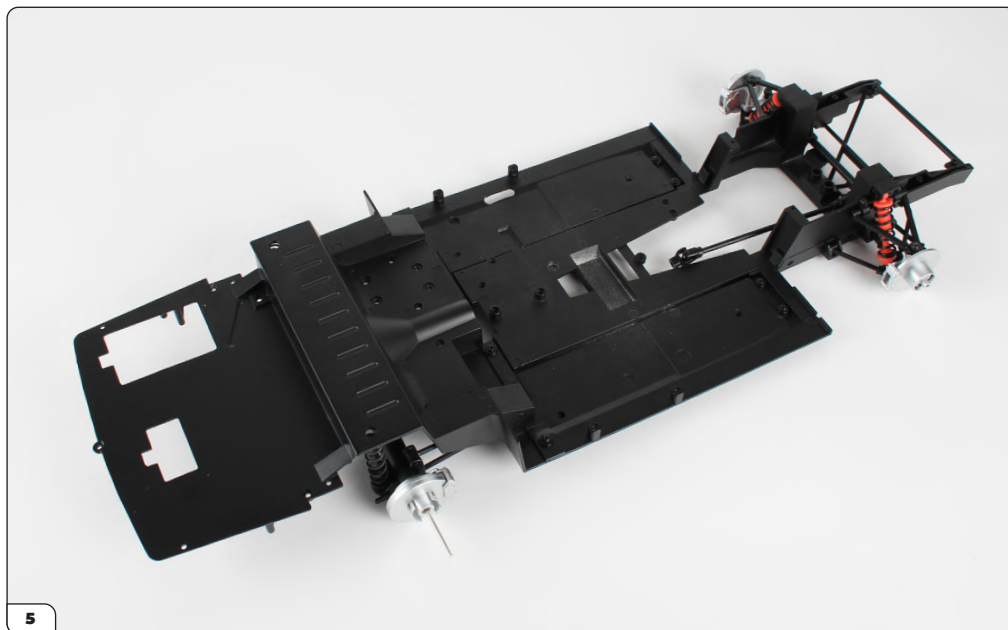


Align the rear axle with the chassis as shown.



Place the rear axle onto the chassis. The arms should fit into the openings as shown (circled).

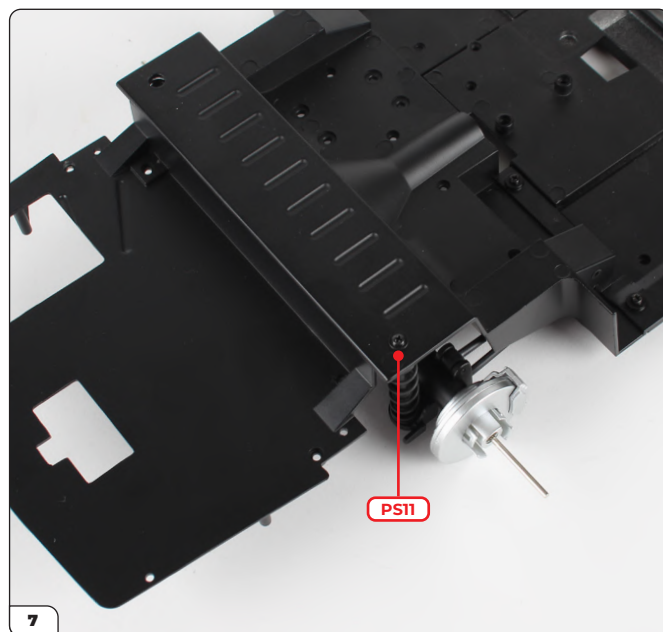
Stage 035: Assembling the Rear Suspension



Carefully flip the assembly over while keeping the rear axle in place.

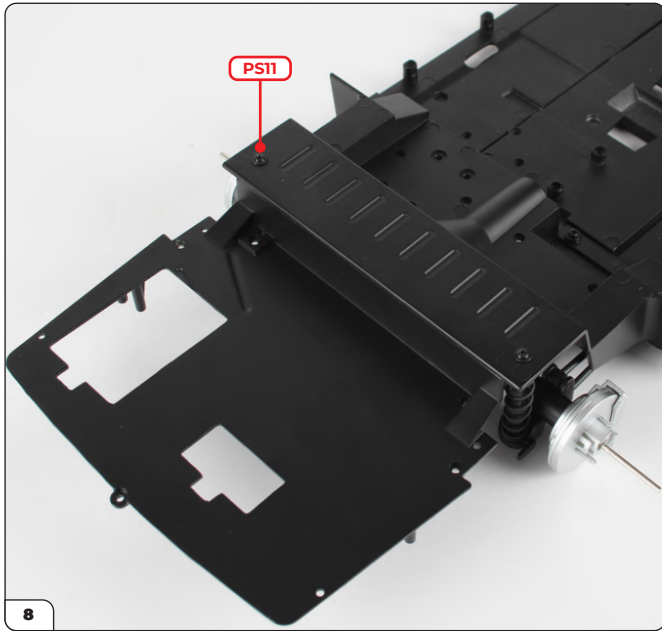


Press down on the chassis so that the shock absorber screw post protrudes through the hole.

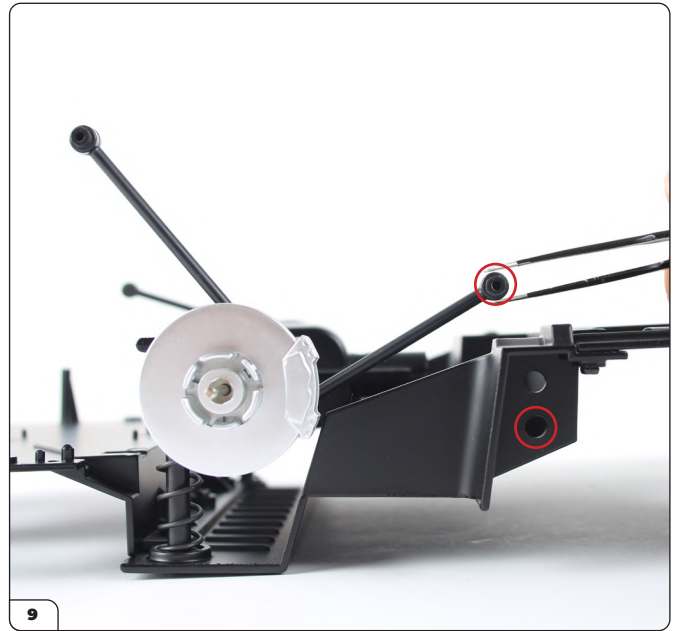


Drive a PS11 screw into the shock absorber.

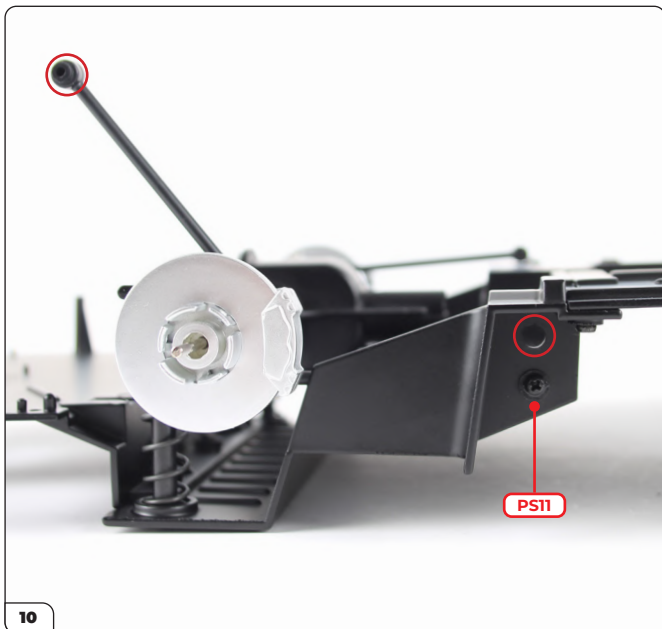
Stage 035: Assembling the Rear Suspension



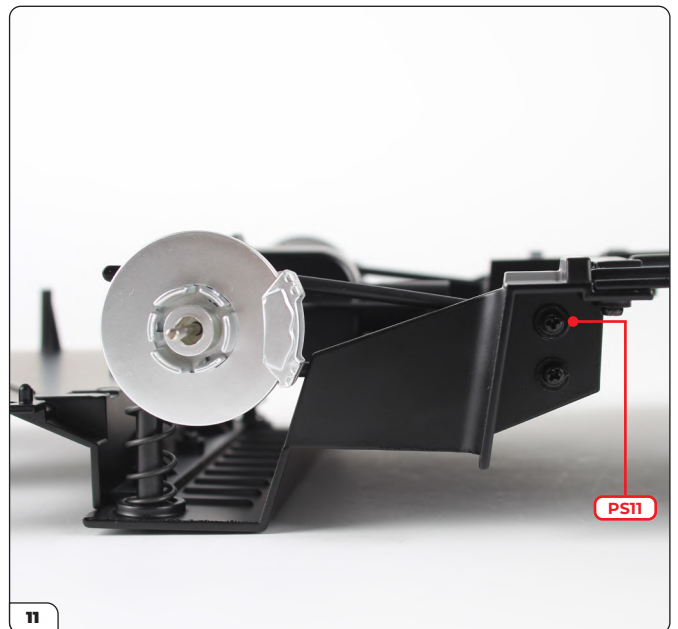
Repeat steps 6 and 7 on the opposite side to secure the shock absorber with a PS11 screw.



Flip the assembly over then fit the upper arm screw post into the indicated opening (circled).

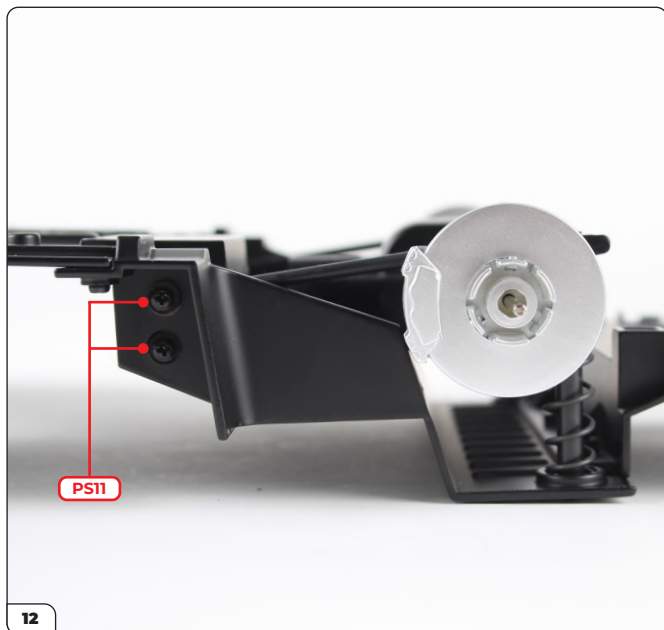


Secure with a PS11 screw, then fit the lower arm screw post into the remaining opening (circled).

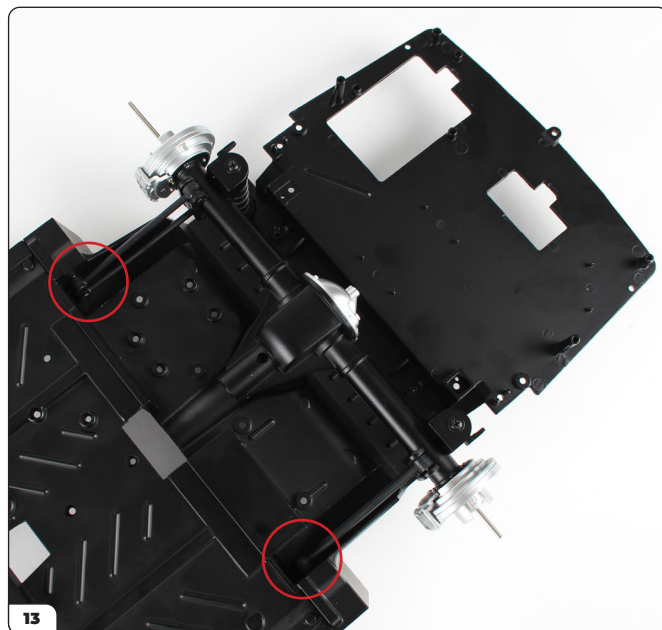


Secure with a PS11 screw.

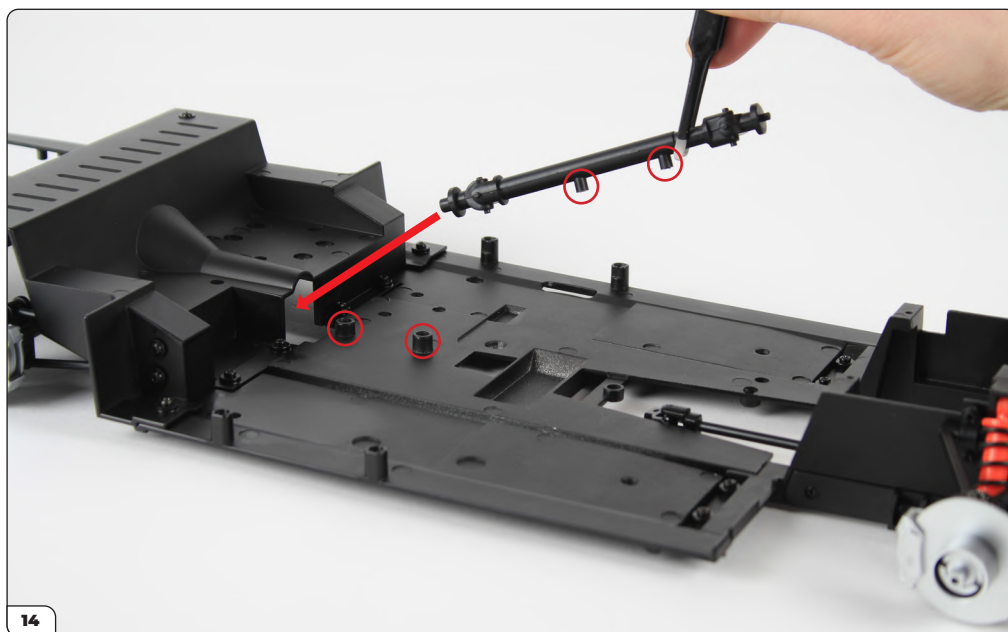
Stage 035: Assembling the Rear Suspension



Repeat this process on the opposite side and secure the arms using 2x PS11 screws.

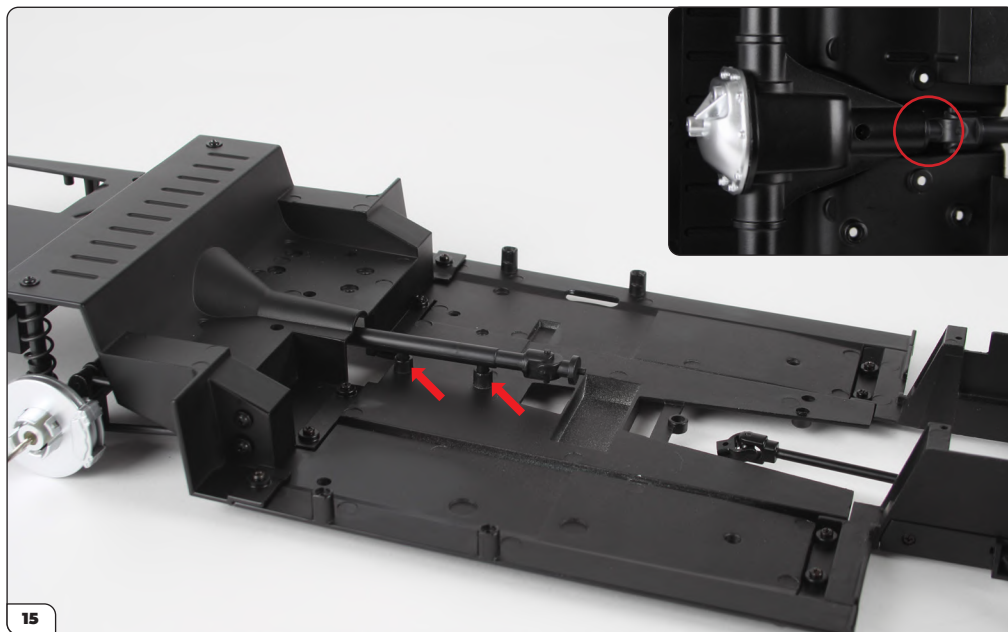


The arms have been fixed to the chassis.

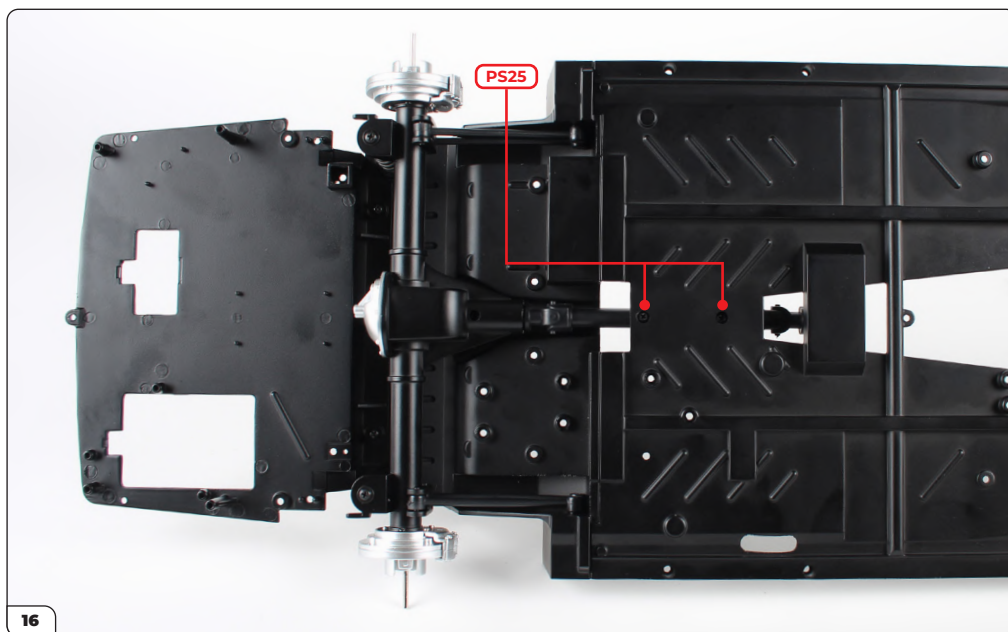


Align the drive shaft (35-A) with the assembly as shown.

Stage 035: Assembling the Rear Suspension

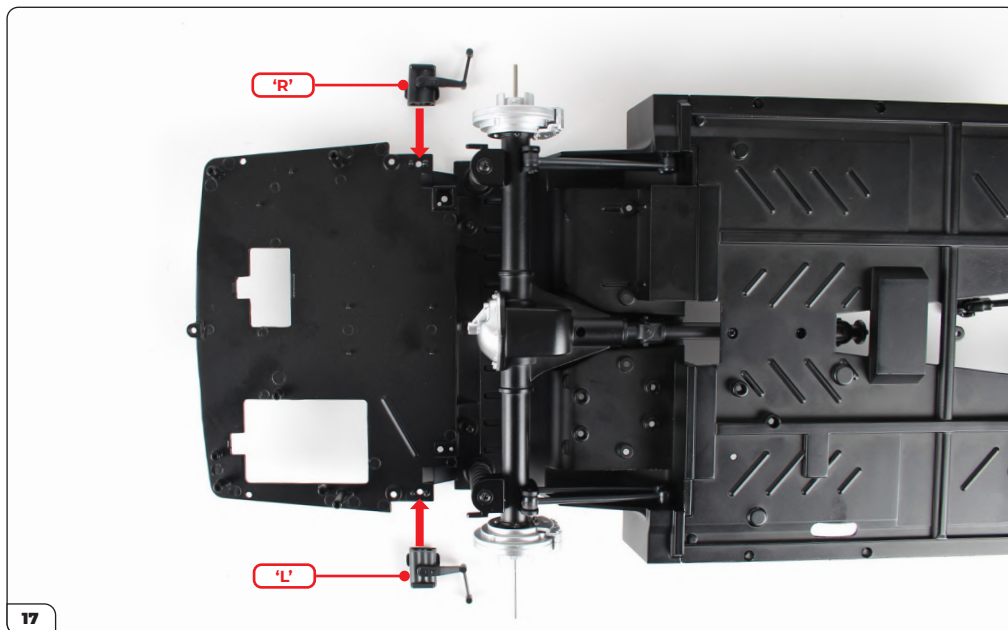


Fit the drive shaft through the opening and into the differential (inset, circled) then press the screw posts into the raised holes (arrows).

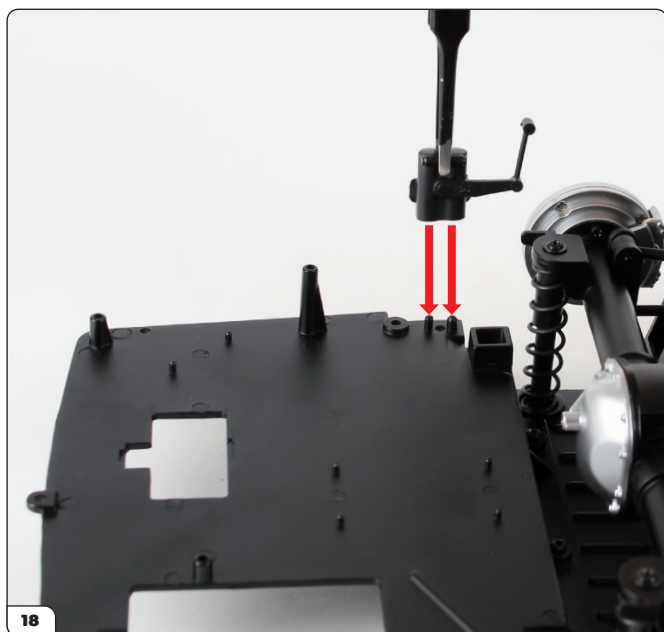


Secure from underneath with 2x PS25 screws.

Stage 035: Assembling the Rear Suspension

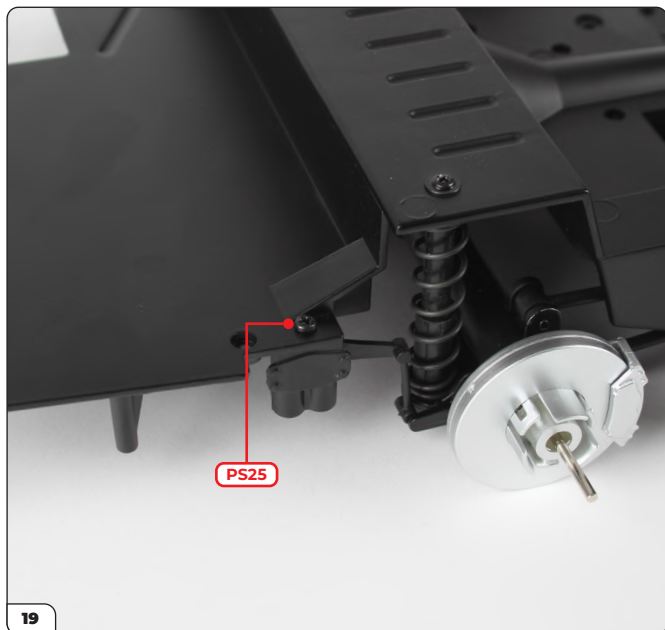


Take the right (35-E) and left (35-F) stabilisers, which are marked 'R' and 'L' (insets, circled). Align them with the underside of the chassis as indicated.

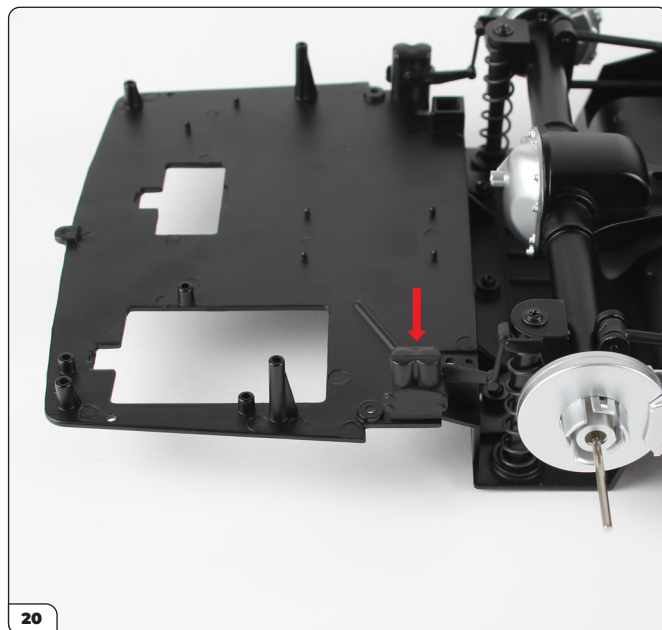


Fit the right stabiliser onto the pins. Note that the arm should be on the inside (right image, circled).

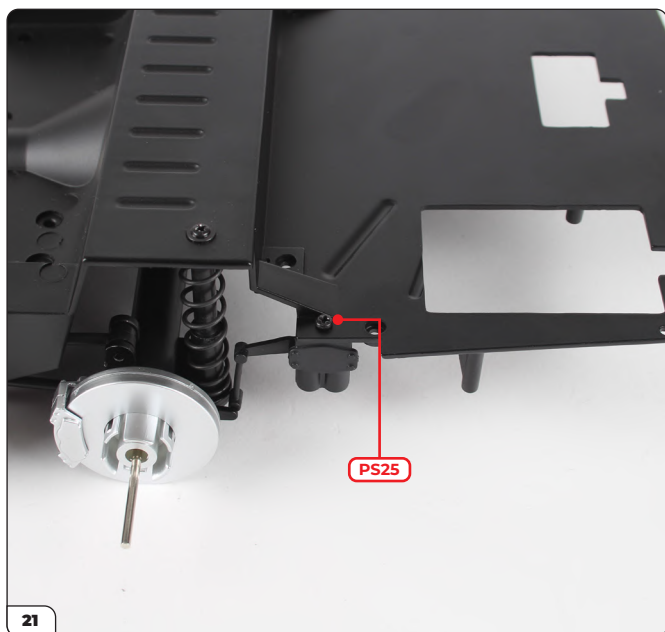
Stage 035: Assembling the Rear Suspension



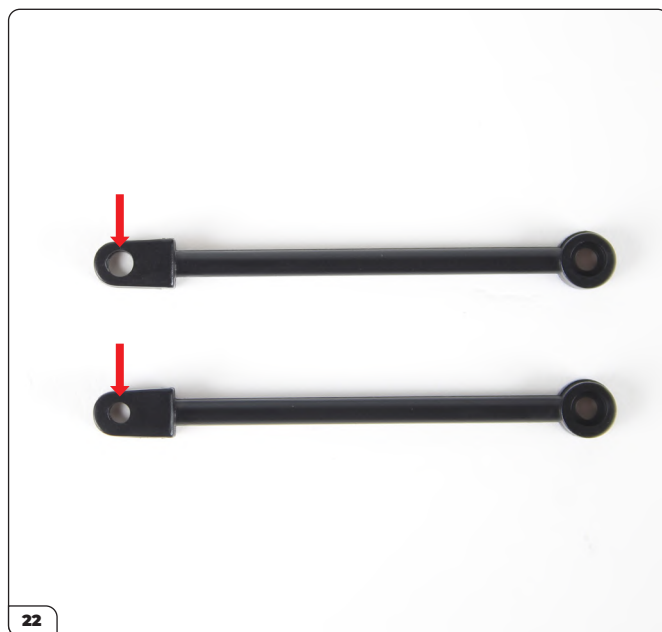
Flip the assembly over and secure the right stabiliser from underneath with a PS25 screw.



Fit the left stabiliser in the same way.



Secure with a PS25 screw.



Take the transverse stabiliser bars (35-B and 35-C). One has a large hole and one has a smaller hole.

Stage 035: Assembling the Rear Suspension



Take the bar with the smaller hole and the right stabiliser bar holder (35-H).



Align the parts as shown.



Fit the holder to the bar and secure it with a PS25 screw.



Now take the bar with the larger hole and the left stabiliser bar holder (35-G)

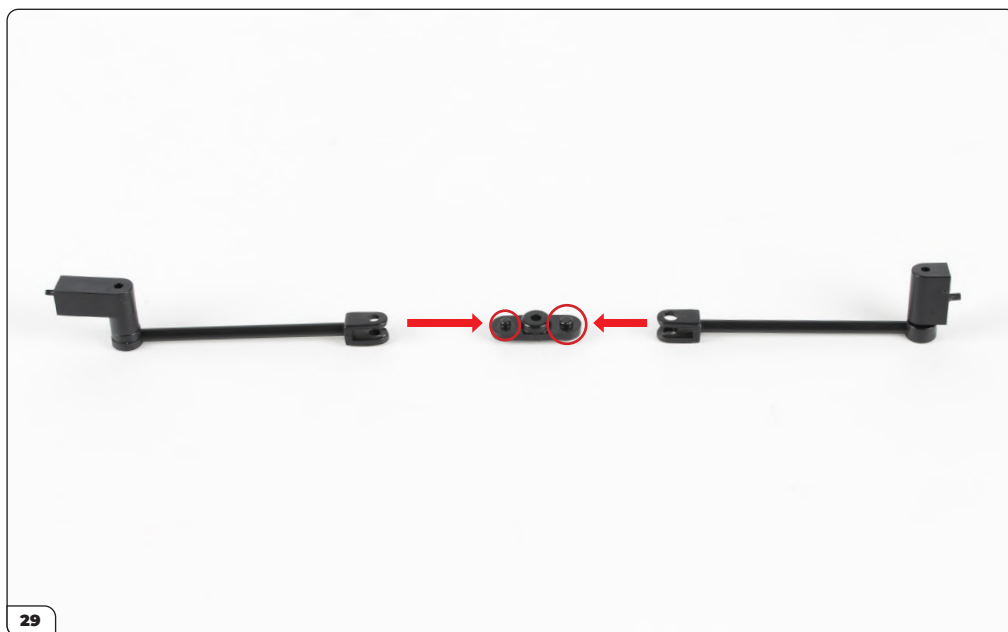
Stage 035: Assembling the Rear Suspension



Align the parts as shown.



Fit the holder to the bar and secure it with a PS25 screw.



Take the stabiliser bar connection (35-D) and align the bars with it. The pins on the connection are small and large, matching the holes in the bars (circled).

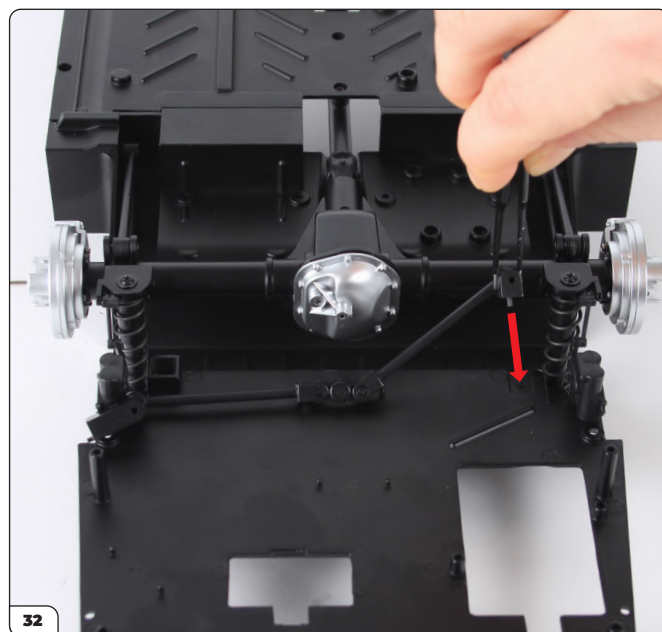
Stage 035: Assembling the Rear Suspension



Fit the bars onto the connection.

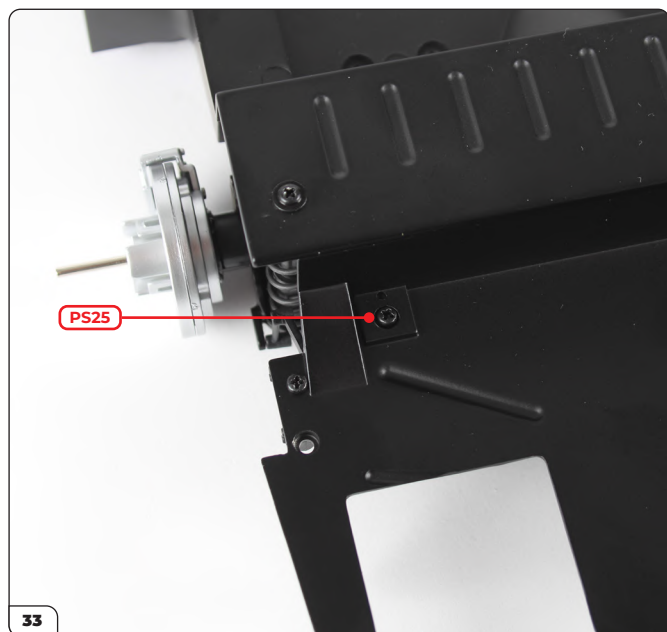


Align the stabiliser bars with the underside of the rear chassis as shown.

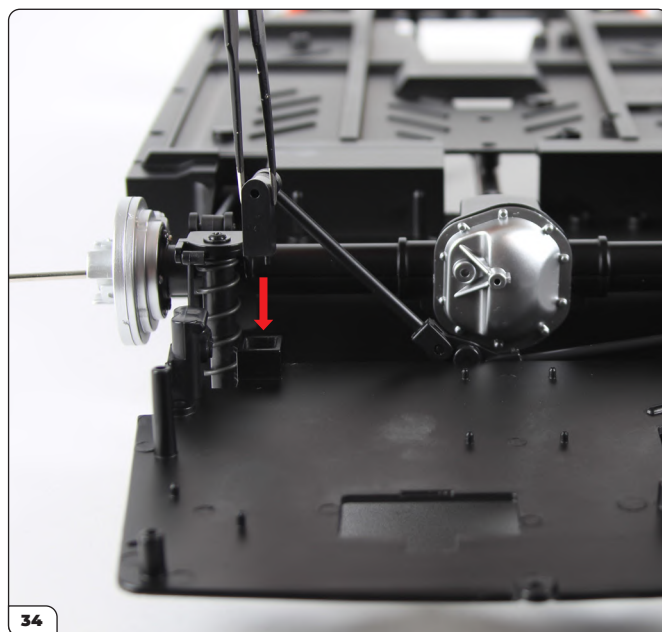


Fit the left stabiliser into the recessed area.

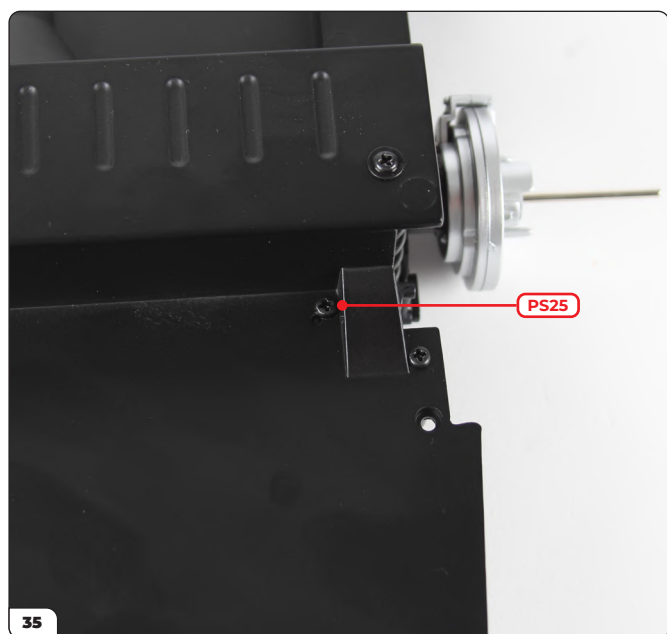
Stage 035: Assembling the Rear Suspension



Turn over and secure using a PS25 screw.



Press the right stabiliser into the shaped fitting.

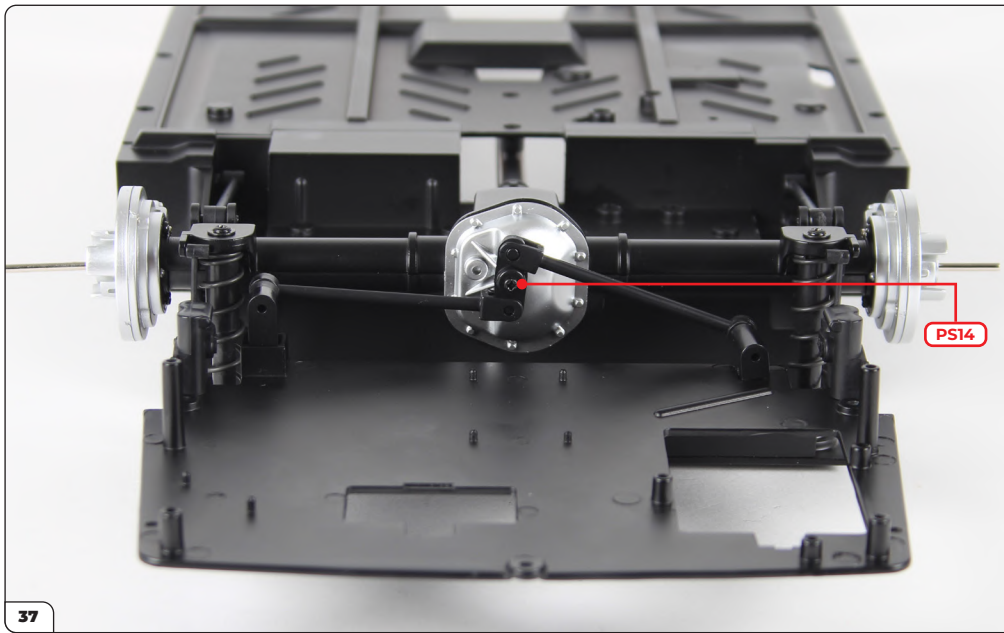


Turn over and secure using a PS25 screw.

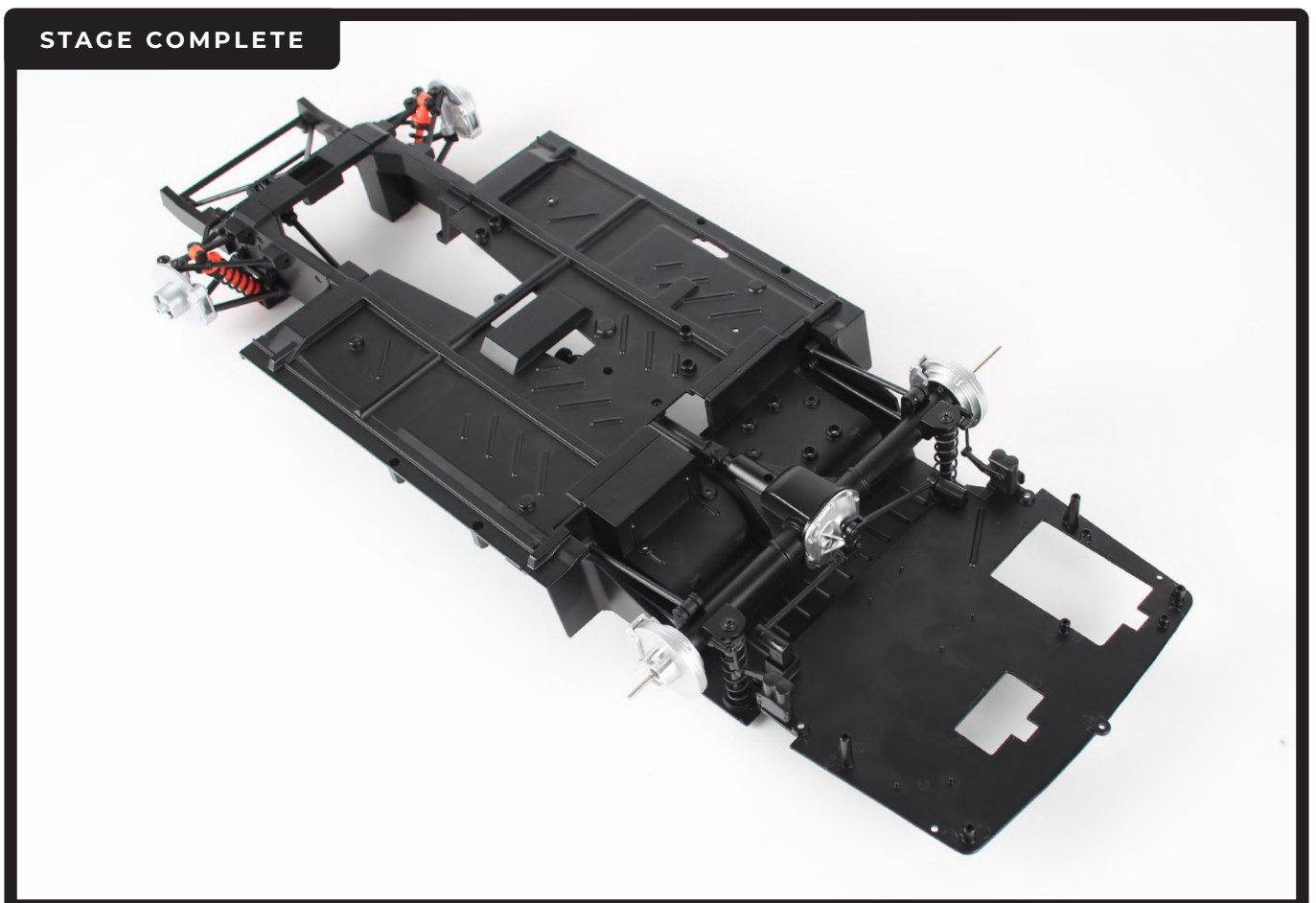


Position the connection onto the differential cover using the shaped fitting.

Stage 035: Assembling the Rear Suspension



Secure using a PS14 screw.



Stage 036VB: Building the Rear Wheel Rim (Easy-Build)

This stage is the easy-build version of the wheel rim. If you choose to use this version, move straight to Stage 038 after completing it.



STAGE 036VB PARTS LIST

Name	Name
36VB-A Outer spokes	36VB-H Spoke retainer ring
36VB-B Inner wheel rim	36VB-I Wheel hub front
36VB-C Outer ring	36VB-J Rear wheel mount
36VB-D Inner spokes	PS02 screws x9
36VB-E Outer wheel rim	PS03 screws x4
36VB-F Wheel hub back	PS32 screws x7
36VB-G Inner ring	



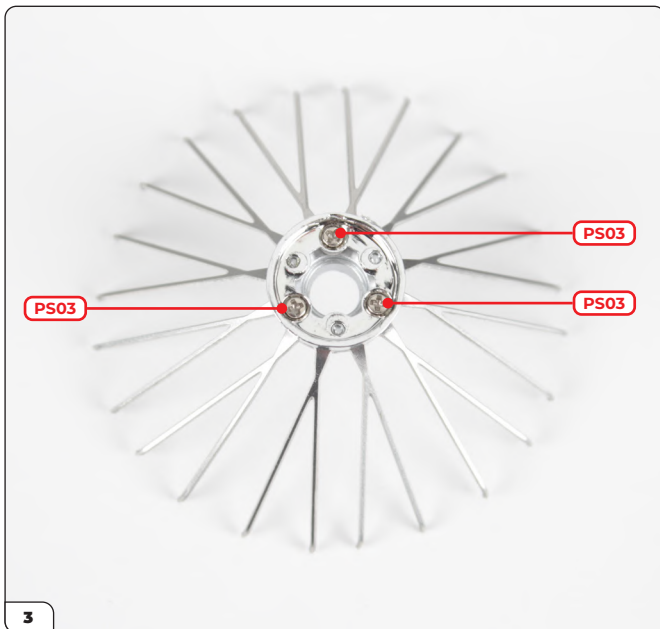
Stage 036VB: Building the Rear Wheel Rim (Easy-Build)



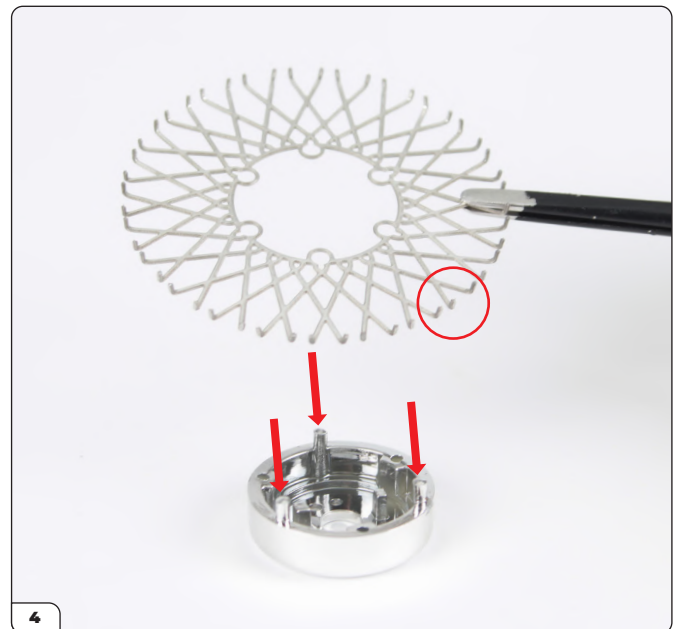
1
Line up the wheel hub front (36VB-I), outer spokes (36VB-A) and outer ring (36VB-C) as shown, then position the outer ring on top of the spokes.



2
Turn the spokes over and press the pins on the wheel hub front into the smaller holes on the outer ring.

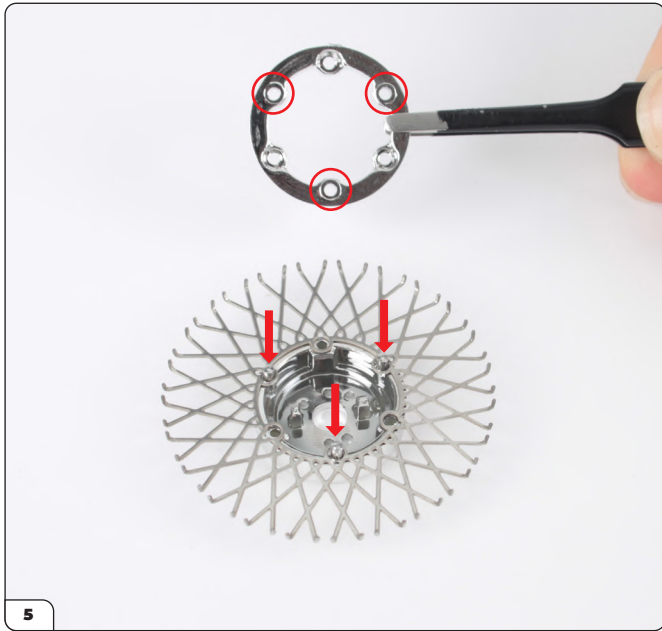


3
Secure using 3x PS03 screws.

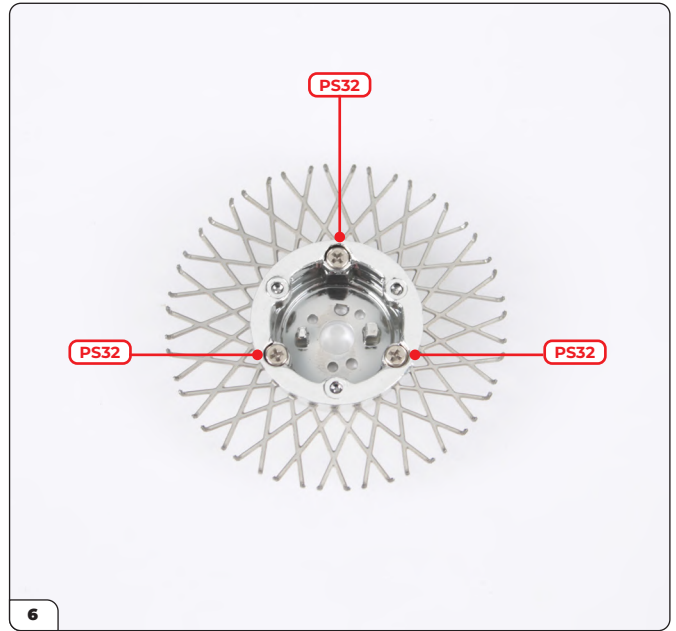


4
Place the inner spokes (36VB-D) with the ends pointing up (circled) onto the three pins on the wheel hub back (36VB-F).

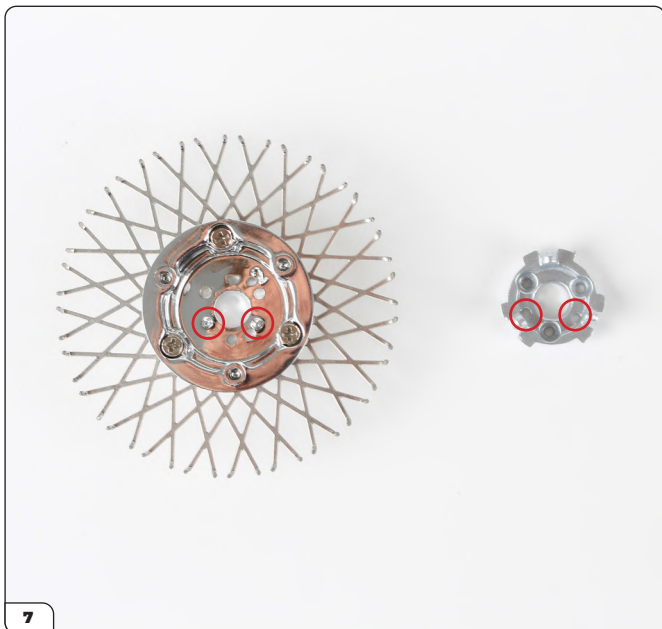
Stage 036VB: Building the Rear Wheel Rim (Easy-Build)



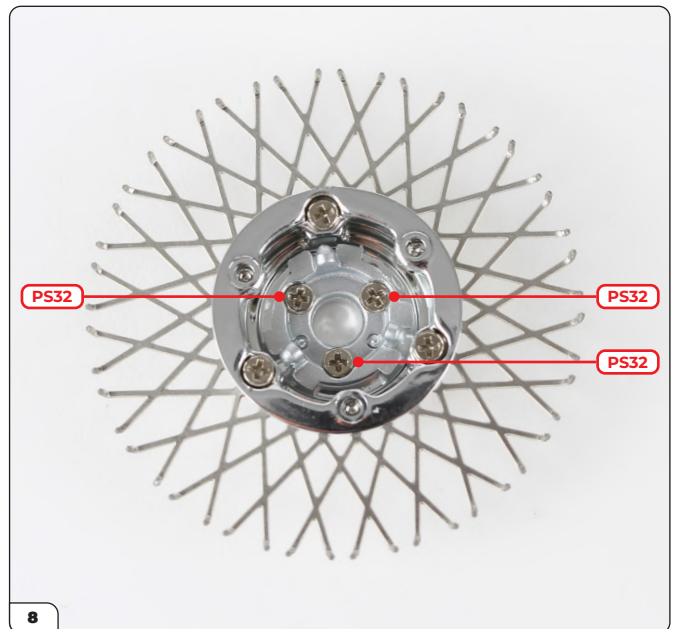
Press the inner ring (36VB-G) on top of the spokes using the three holes without a recess (circled). If any holes are covered with paint, simply poke through using a knife or needle.



Secure using 3x PS32 screws.

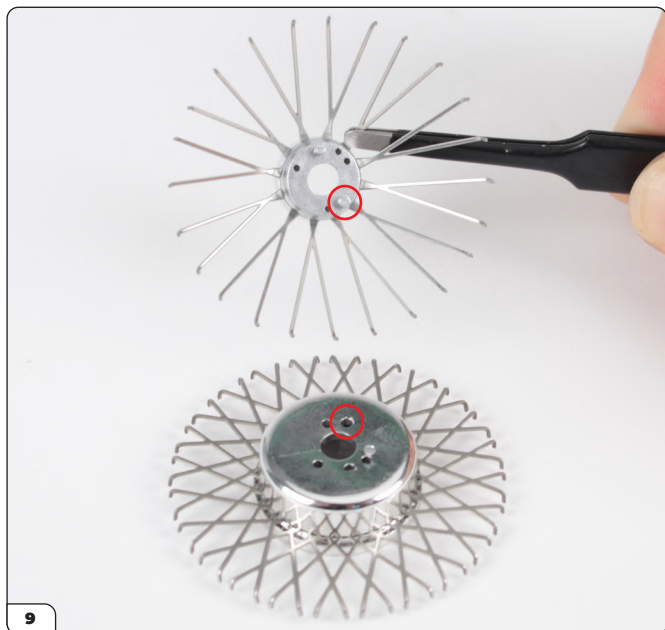


Align the rear wheel mount (36VB-J) holes with the wheel hub back pins as shown (circled).



Fit the mount and secure using 3x PS32 screws.

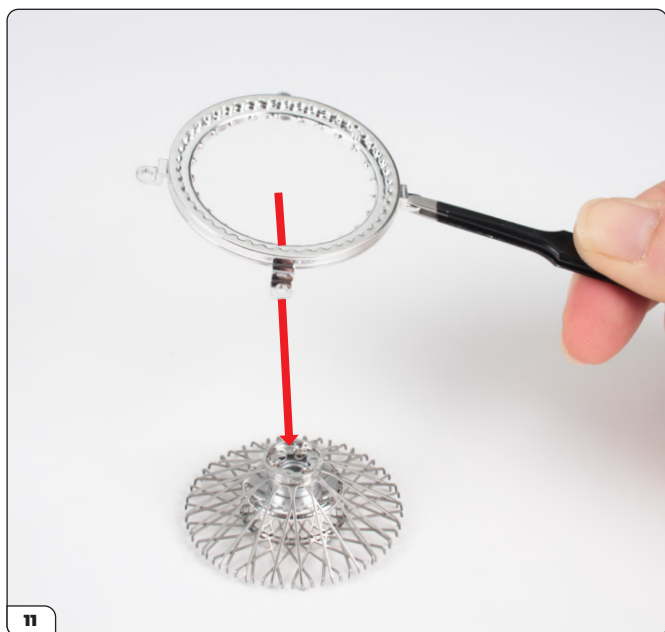
Stage 036VB: Building the Rear Wheel Rim (Easy-Build)



Turn the inner spokes over, then fit the outer spokes on top using the larger pin on the wheel hub front as a guide.



The ends of the outer spokes should sit in the 'V' of the inner spoke ends once in place.

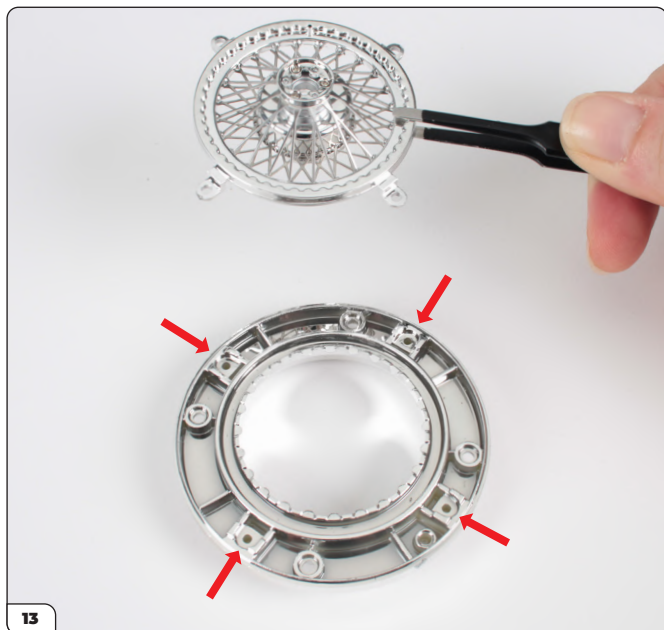


Place the spoke retainer ring (36VB-H) over the assembly in the orientation shown.

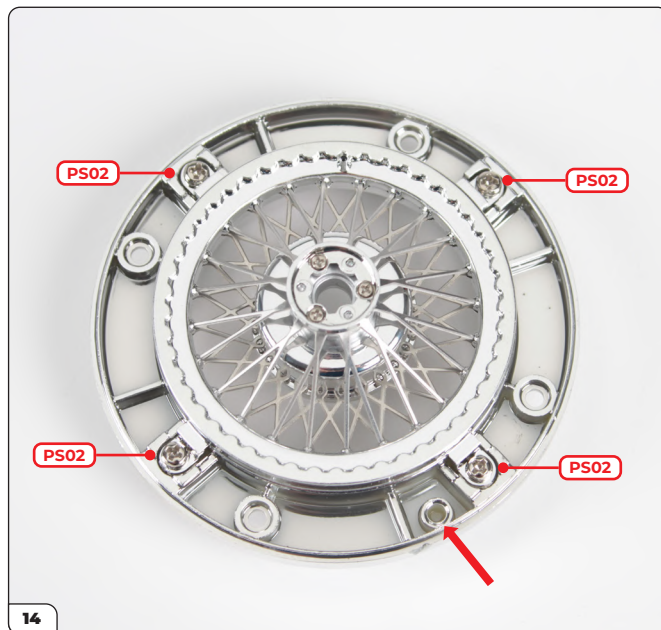


Align the retainer ring so that the outer spokes fit into the recesses around the edge (inset). Check all the spokes are in place.

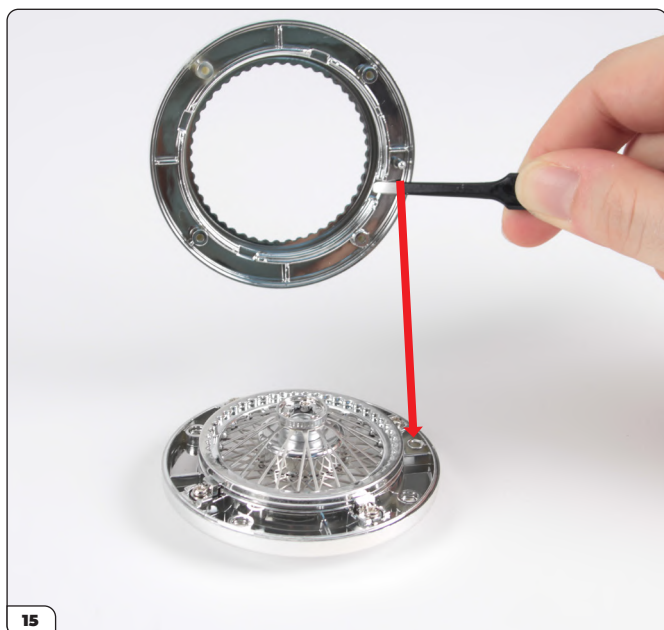
Stage 036VB: Building the Rear Wheel Rim (Easy-Build)



Fit the four tabs on the retainer ring into the recesses on the inner wheel rim (36VB-B).



Secure using 4x PS02 screws. Note the indicated hole for the pin in the next step (arrow).

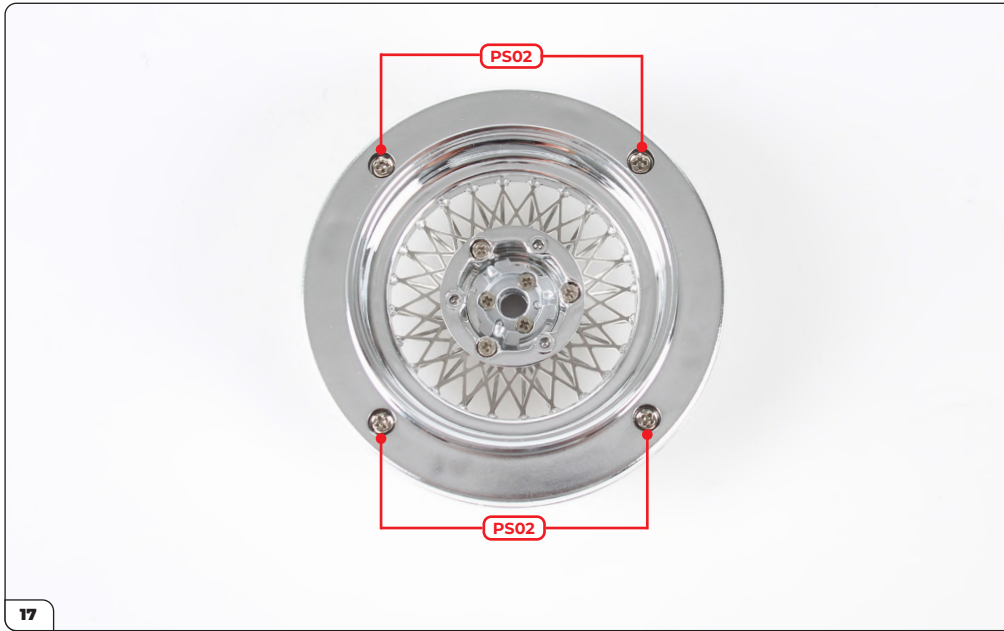


Fit the outer wheel rim (36VB-E) in place using the pin as a guide.



Press firmly around the edges.

Stage 036VB: Building the Rear Wheel Rim (Easy-Build)



Turn the assembly over and secure using 4x PS02 screws.



Stage 036: Building the Outer Wheel Rim (Regular)

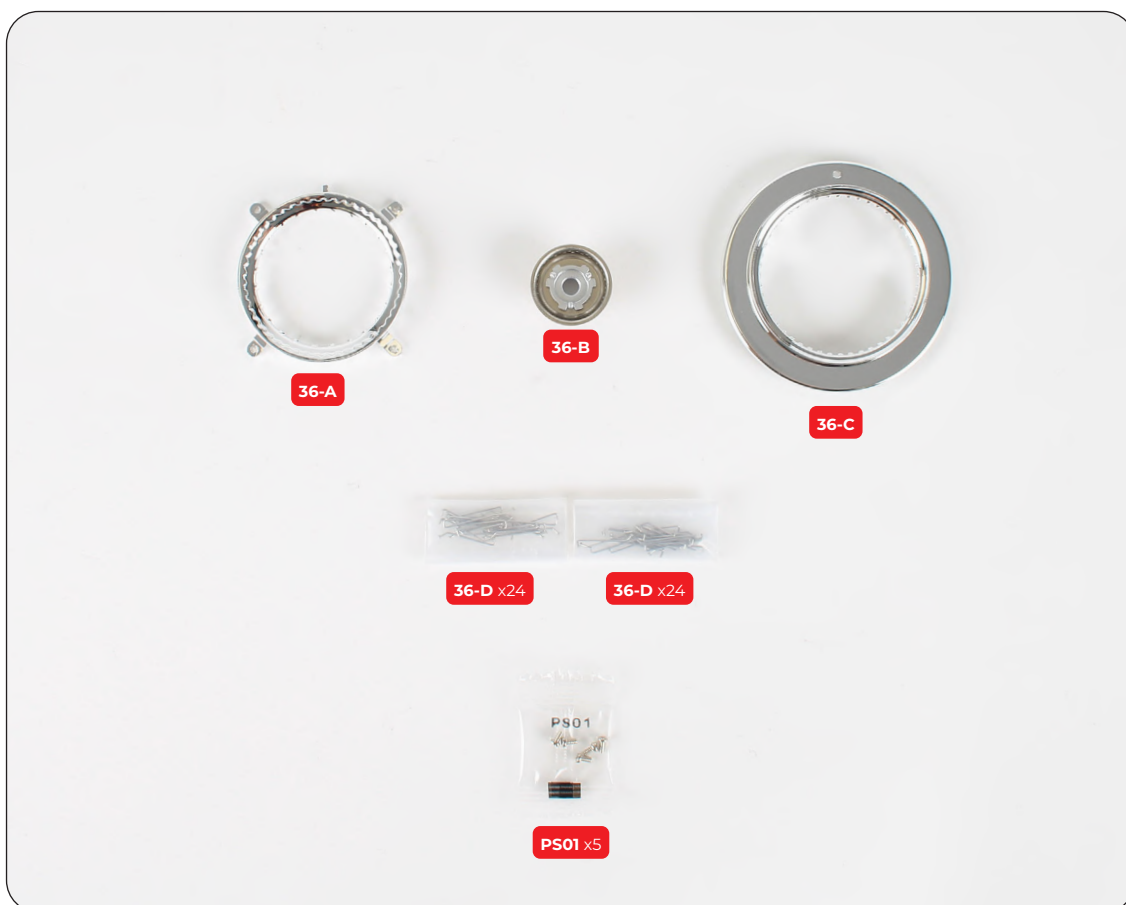
This stage is for building the regular version of the wheel rims for the DB5. Go to Stage 038 if you are following the easy-build instructions.

Watch our video for extra guidance here: <https://youtu.be/iJAt2nvWEQw>

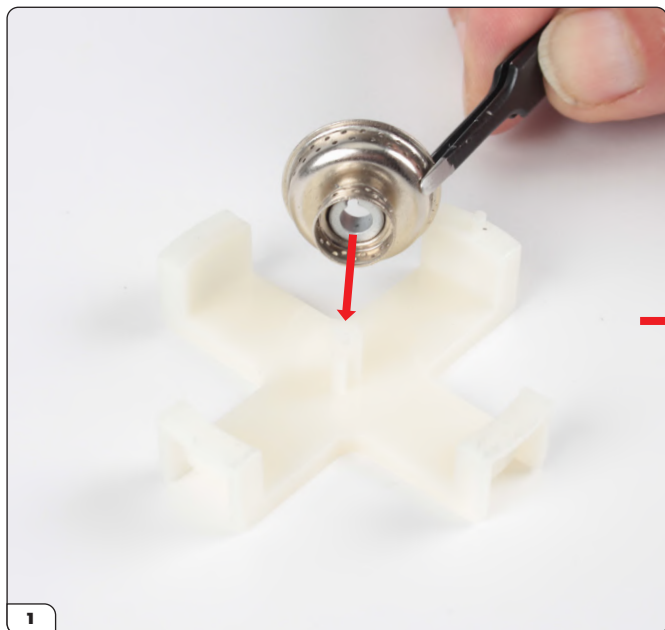


STAGE 036 PARTS LIST

Name
36-A Spoke retainer ring
36-B Rear wheel centre
36-C Outer wheel rim
36-D Spokes x24
36-D Spokes x24
PS01 screws x5



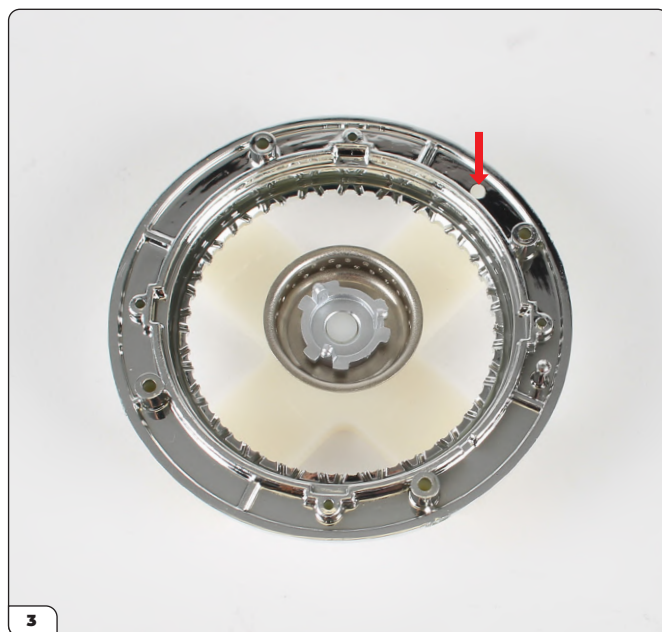
Stage 036: Building the Outer Wheel Rim (Regular)



Align the shaped hole in the wheel centre (36-B) with the jig (from stage 002) then fit it in place.



Fit the outer wheel rim (36-C) onto the jig, using the pin as a guide.

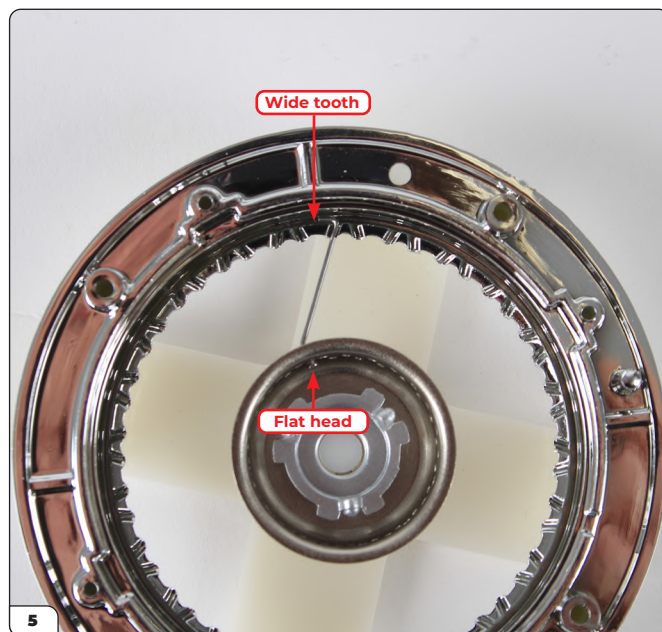


Press firmly to lock the rim in position.

Stage 036: Building the Outer Wheel Rim (Regular)



Open a bag of spokes (36-D) and thread the angled tip through one of the holes of the lower row.



Pull the spoke through until the flat head reaches the hole, then hook the tip around the nearest wide tooth that gives a comfortable fit. The tip must face the wide tooth, as shown.

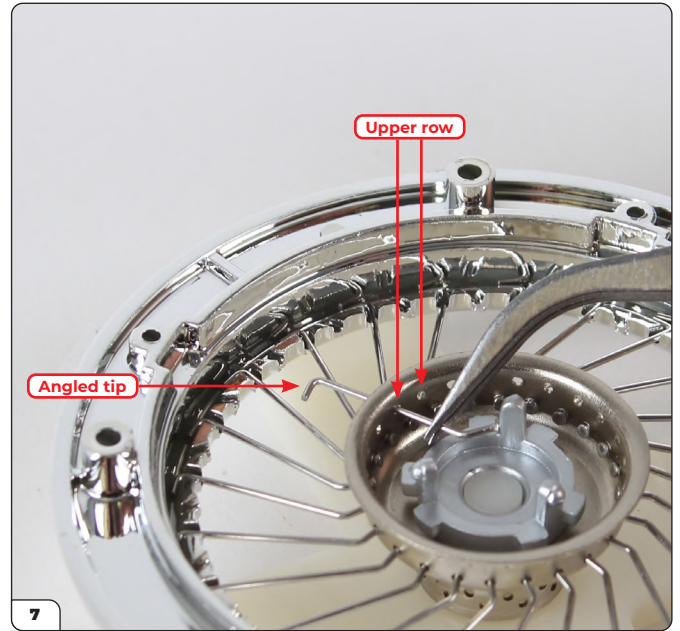


Thread another spoke through the next lower row hole and hook the tip around the next wide tooth (arrow). As you fit the remaining spokes, you can gently adjust the tension by twisting the wheel centre with your flat of your thumb.

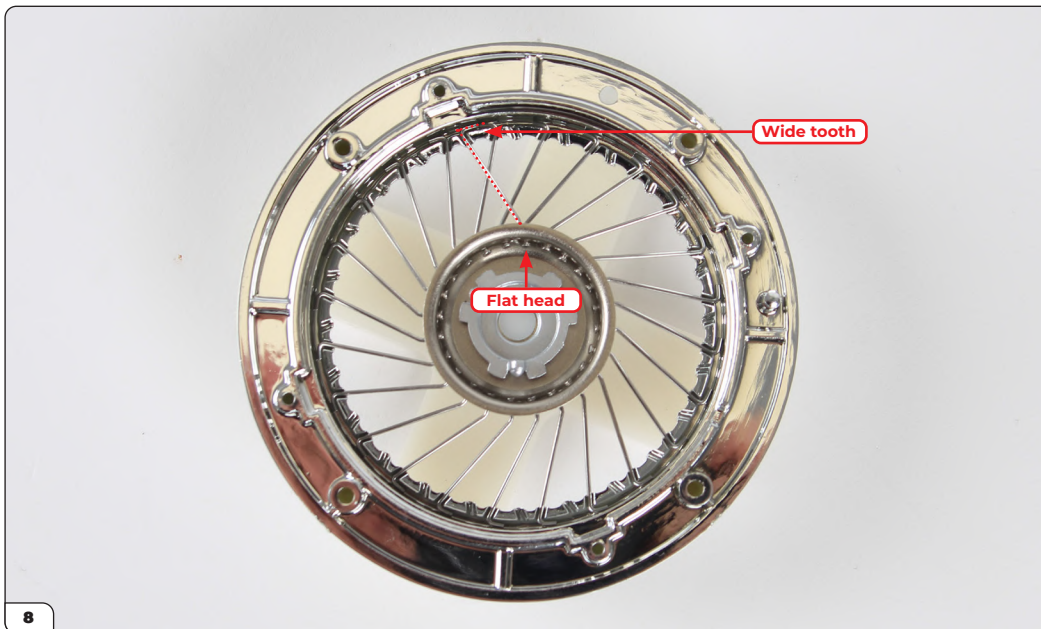
Stage 036: Building the Outer Wheel Rim (Regular)



Continue until all 24 spokes are in position.



Open the remaining bag of spokes (36-D) and thread the angled tip through one of the holes in the upper row.

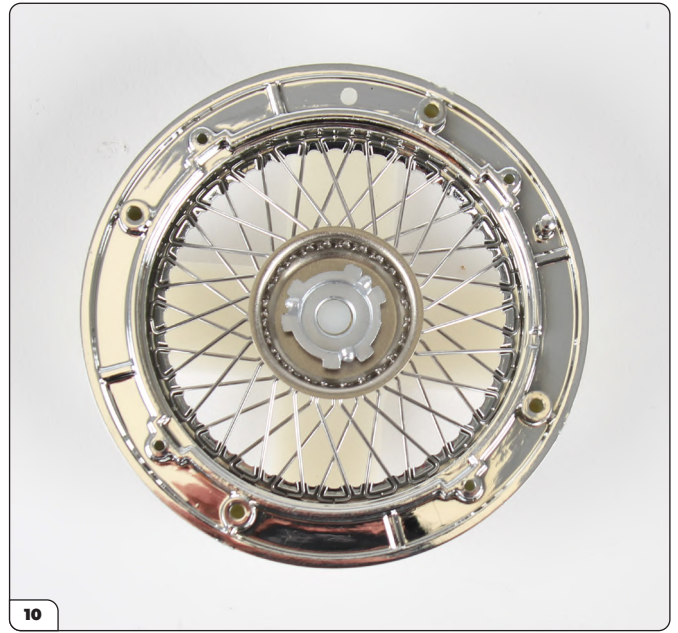


Pull the spoke through until the flat head reaches the hole, then hook the tip around the nearest wide tooth that gives a comfortable fit, facing the tip of the lower row spoke. While threading, some of the other spokes may be knocked out of position. You can wait until both rows have been threaded before correcting any tips.

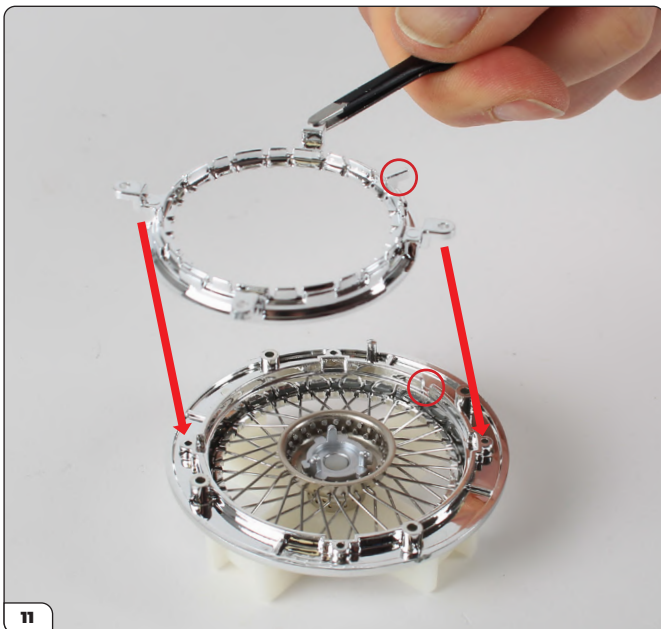
Stage 036: Building the Outer Wheel Rim (Regular)



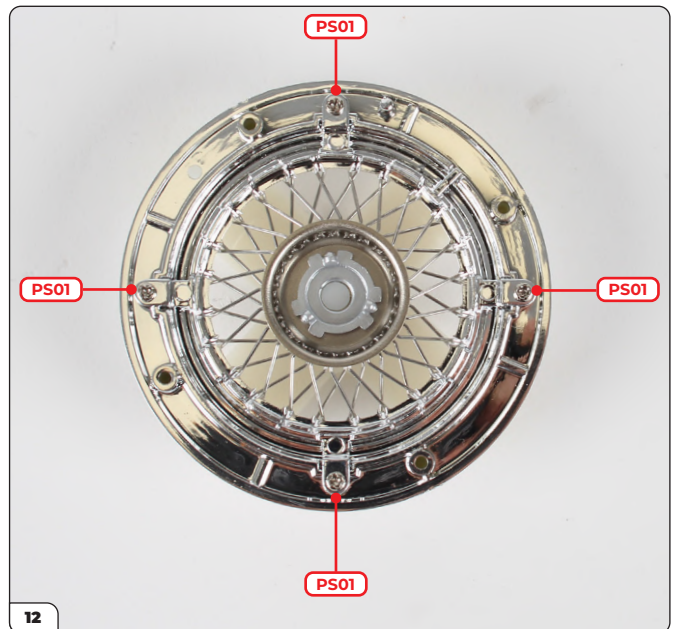
Thread another spoke through the next upper row hole and hook the tip around the next wide tooth (arrow). Note the spokes create a diamond shape, highlighted in the image.



Continue in sequence until all spokes have been fitted, then carefully check each wide tooth to ensure the spokes are in the correct position.



Fit the spoke retainer ring (36-A), using the protruding tab as a guide.



Check the spokes are in place, then secure the ring using 4x PS01 screws. To continue building, go to Stage 037.

Stage 036: Building the Outer Wheel Rim (Regular)

STAGE COMPLETE



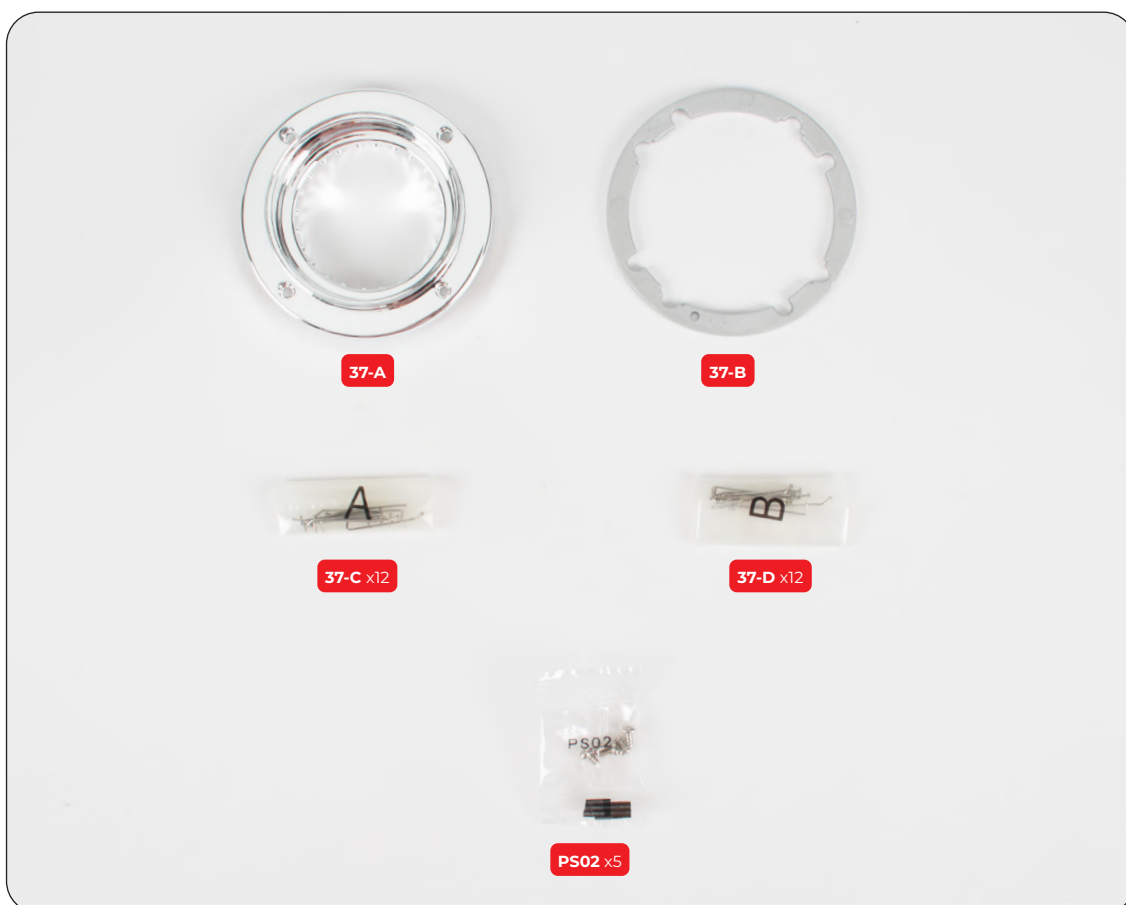
Stage 037: Building the Inner Wheel Rim (Regular)

You'll continue to assemble the wheel by building the inner rim and its spokes then fitting it to the outer rim.

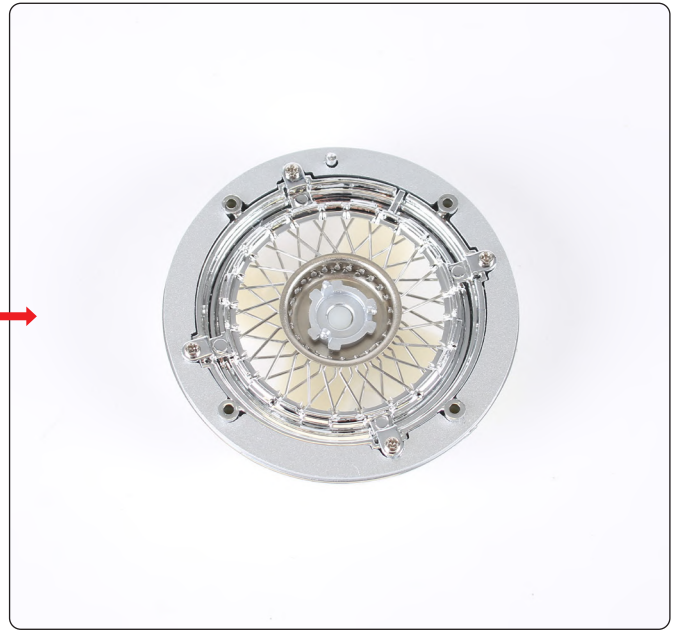


STAGE 037 PARTS LIST

Name
37-A Inner wheel rim
37-B Spacer ring
37-C Spokes type A x12
37-D Spokes type B x12
PS02 screws x5



Stage 037: Building the Inner Wheel Rim (Regular)



Align the spacer ring (37-B) with the outer wheel rim assembly (Stage 036) using the hole and pin (circled) as a guide. Fit the ring in place.



Turn the assembly over and push the tip of a type A spoke (37-C) through one of the holes in the lower row.



Pull the spoke through and guide the tip into the diamond shape to the left and out through to the opposite side.

Stage 037: Building the Inner Wheel Rim (Regular)



Turn the assembly over and fit the tip of the spoke. **It should hook around a wide tooth as shown.** If it aligns with a narrow tooth, thread the spoke through the next diamond along. This is very important. **Please ensure the spoke is fitted around a wide tooth.**



Once you are happy with the fit of the first spoke, thread another type A into the next lower hole and through the diamond two-along from the first, as highlighted in the image. At this stage, the tips can be left loose on the opposite side.

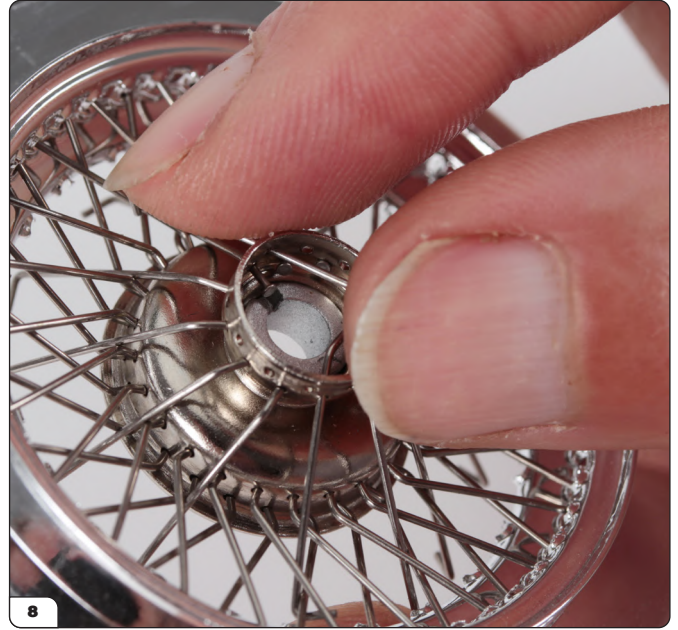


Continue to thread type A spokes around the lower row, pushing the tip through alternating diamonds as indicated. Continue to leave the ends loose for now, they do not need fitting onto the wide teeth yet.

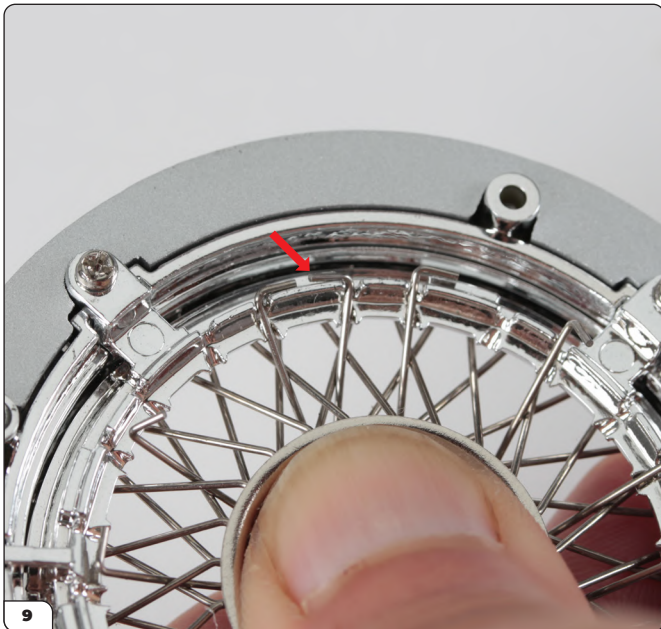
Stage 037: Building the Inner Wheel Rim (Regular)



Now take a type B spoke (37-D) and thread it through a hole of the upper row. Cross it over the lower row spoke to its left (circled) and guide the tip to the empty diamond without a spoke through it (highlighted).



Press the tip through the diamond with your forefinger while pushing the spoke into position with your thumb as shown.

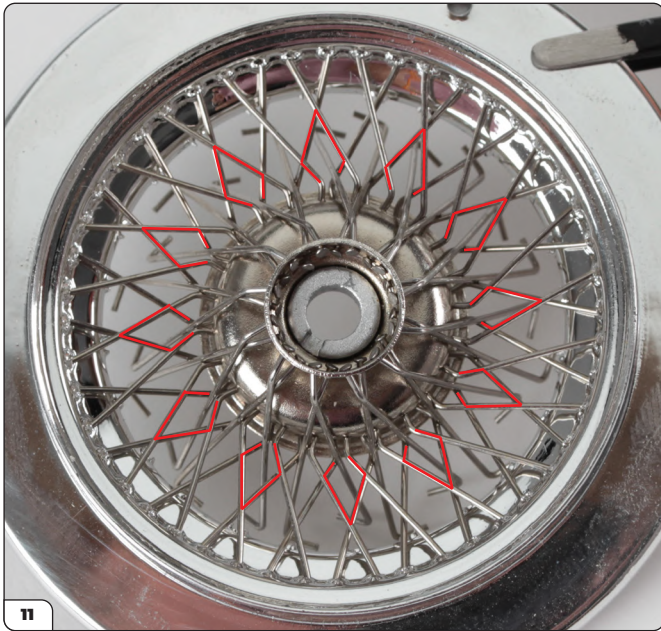


Turn the assembly over and check the tip fits over a wide tooth to face one of the lower row spokes.



Turn back over and thread another type B spoke into the next upper hole along, crossing it over the type A to its left and into the next empty diamond to the left.

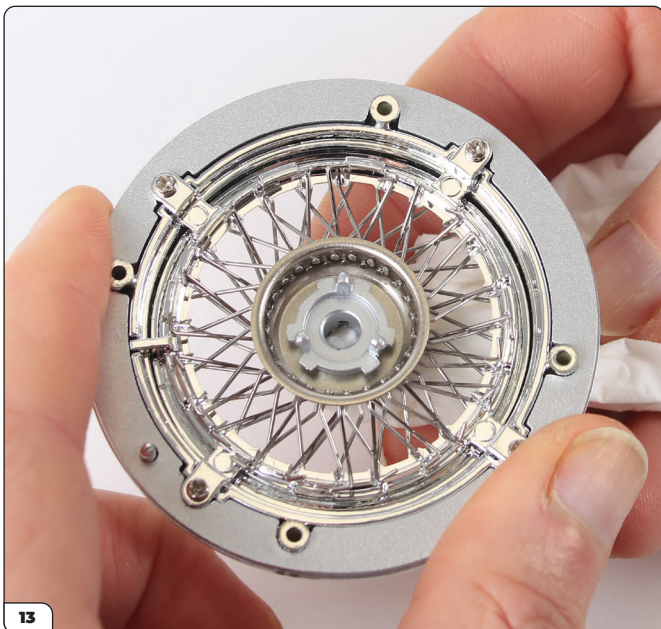
Stage 037: Building the Inner Wheel Rim (Regular)



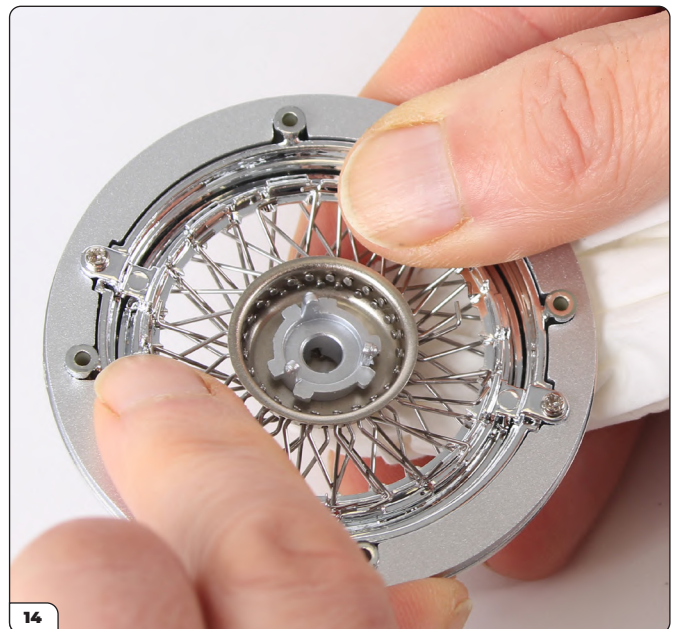
Continue to thread type B spokes through, crossing over the type A and through the next empty diamond in the same way.



Once you are happy all the spokes are fitted correctly, they can be fitted to the wide teeth. Start by pushing a piece of tissue paper into the wheel centre to hold the spokes in place.

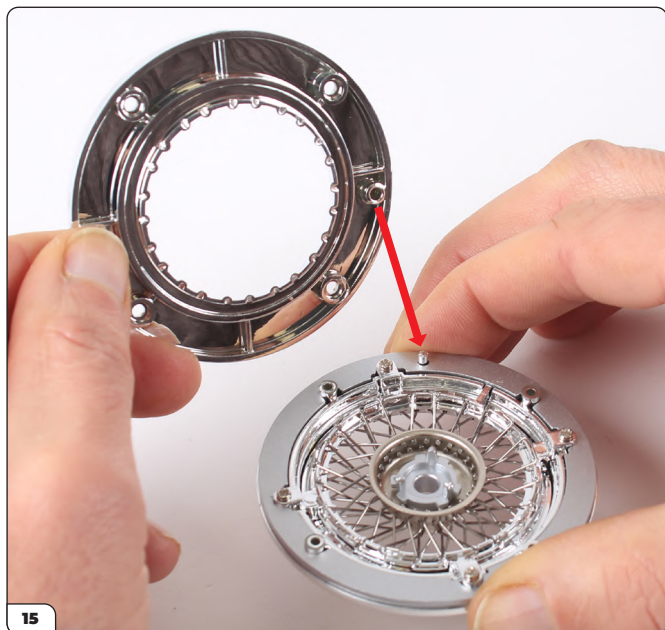


Keeping the tissue in place to hold the spokes, turn the assembly over. The tips of the spokes should now fall naturally towards the teeth.

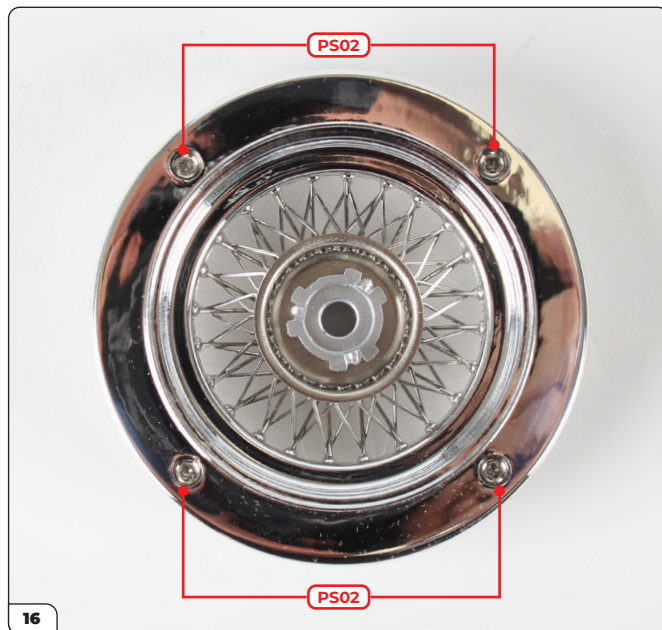


Gently brush the spokes with your finger to hook them over the wide teeth around the edge. The tension can be adjusted by gently pushing the soft part of your thumb into the centre and carefully twisting.

Stage 037: Building the Inner Wheel Rim (Regular)



Fit the inner wheel rim (37-A) onto the assembly using the hole and pin as a guide.



Press the inner rim firmly, making sure the spokes stay in position, then secure using 4x PS02 screws.

STAGE COMPLETE



Stage 038: Fitting the Tyre and the Tyre slasher

In this stage you'll fit the tyre around the wheel rim and mount it onto the rear right hub. You'll then fit the hub cap with the deployable tyre slasher.



STAGE 038 PARTS LIST

Name
38-A Tyre
38-B Hub cap
38-C Tyre slasher



Stage 038: Fitting the Tyre and the Tyre slasher



Carefully place the tyre (38-A) in a bowl of hot water to soften it. Take care not to splash hot water when placing the tyre in the bowl.



After 1–2 minutes, remove the tyre from the water using tweezers to avoid burning your fingers. Dry with a cloth.



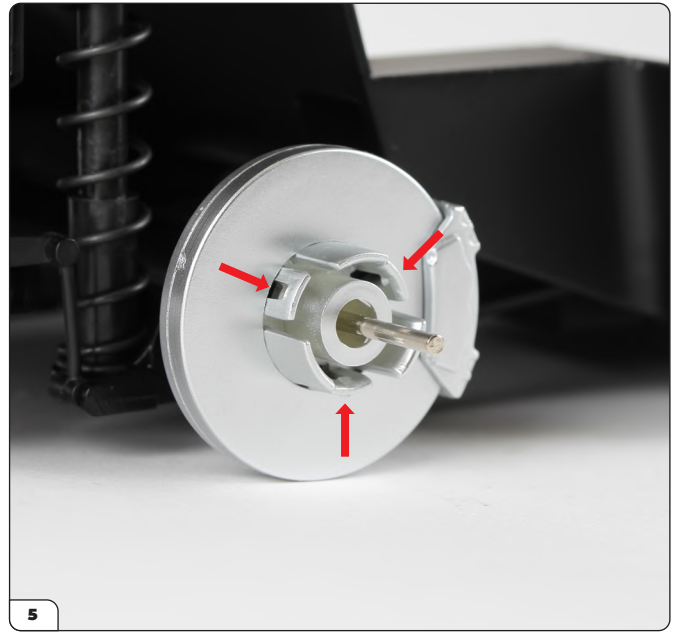
Fit your wheel rim (from stage 036VB or stage 037) into the tyre while it is still flexible. Press the rim into the tyre, then work your way around pulling the tyre over the rim.



Stage 038: Fitting the Tyre and the Tyre slasher



The rear wheels have a unique mount with three locking posts (circled).



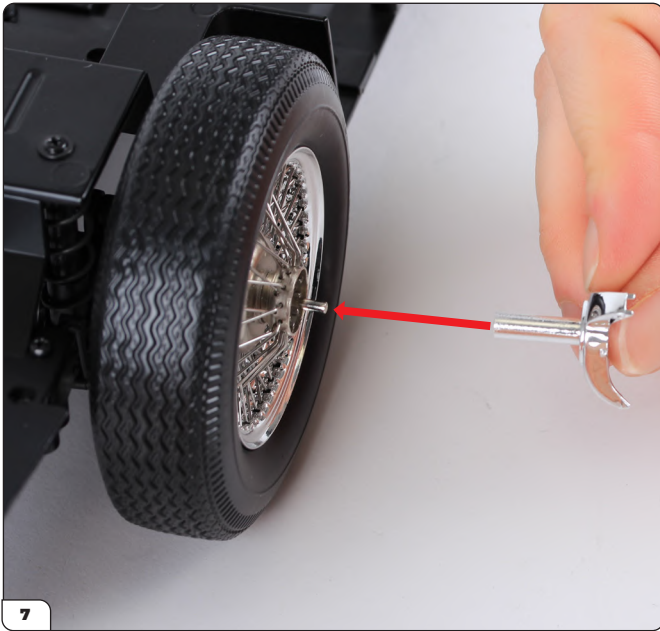
The posts fit into the tabs on the rear hubs.



Fit the wheel onto the rear right hub, making sure the posts align with the tabs (highlighted in steps 4 and 5). Press the wheel firmly until the posts click into place.



Stage 038: Fitting the Tyre and the Tyre slasher



Fit the hub cap (38-B) over the pin in the centre of the wheel. **Do not glue** any of these parts, these tyre slashers are the 'classic' design. Later in the build you will be given the option to replace them with a slim-line version.



Align the tyre slasher (38-C) with the hub cap and press over the end of the pin.



The pin allows the tyre slasher to be pulled away from the hub cap and spin independently of the wheel. Grip the blades at the tips (circled) then pull away from the hub cap.

Stage 038: Fitting the Tyre and the Tyre slasher

STAGE COMPLETE

