

1955

MERCEDES-BENZ

# 300 SL

GULLWING



# Pack 08

## BUILD INSTRUCTIONS

STAGE 54: THE REAR QUARTER GLASSES

STAGE 55: THE REAR WINDOW

STAGE 56: THE MAIN BODY SHELL

"MERCEDES-BENZ" and  are the intellectual property of Mercedes-Benz Group AG.  
They are used by Agora Models under license.

**AGORA**  
MODELS

## Advice from the experts

Spare screws are included with each part. Occasionally, you may be instructed to keep spare or unused screws for a later stage. Keep these spares in a safe place and label them correctly.

Please make sure you don't mix up the screws. They look quite similar, but the threads do vary slightly. Using the wrong screws may damage the parts.

When securing parts together using multiple screws, fit each screw loosely to ensure all the parts are correctly aligned before gently tightening them firmly, but not overtight, in the order in which you placed them.

The screwdriver can be magnetized by stroking it with a magnet (fridge magnet, etc.) enabling it to hold the screws and make assembly easier.

If a screw is tight going into a metal part, do not force it as you may shear the head off. Remove it and put a tiny smear of Vaseline, soap or light oil on the thread. That will lubricate it and make it easier to drive home.

During the course of this build, you will receive many pieces that you will assemble immediately – following the instructions in the corresponding stage – and other pieces that you should store safely to one side, for use in future assembly stages.

Left and Right! When building your Mercedes-Benz 300SL, the left or right hand side refers to each side as you are sitting in the car.



**WARNING:** Some parts are assembled using magnets. These magnets can cause serious injury if they are swallowed. Keep away from children. If you suspect a magnet has been swallowed, seek medical help straight away.

## STAGE 54: THE REAR QUARTER GLASSES

Fit the left and right rear quarter glasses to the roof.



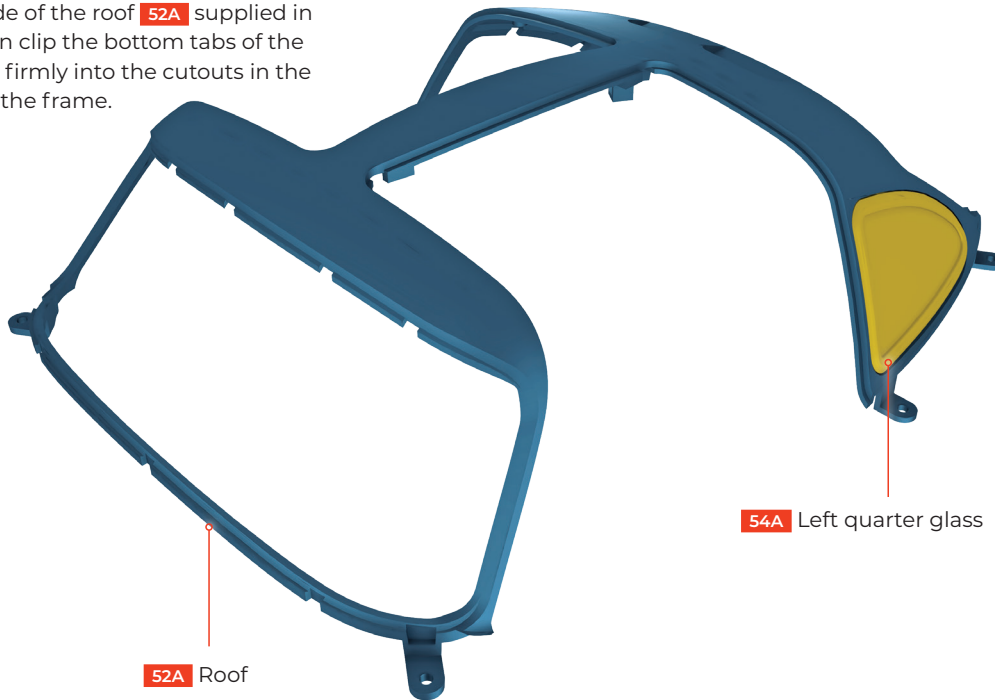
### STAGE 54 - REQUIRED PARTS

Code	Name	Quantity	Material
54A	Left quarter glass	1	SAN
54B	Right quarter glass	1	SAN



## 01 FITTING THE LEFT QUARTER GLASS

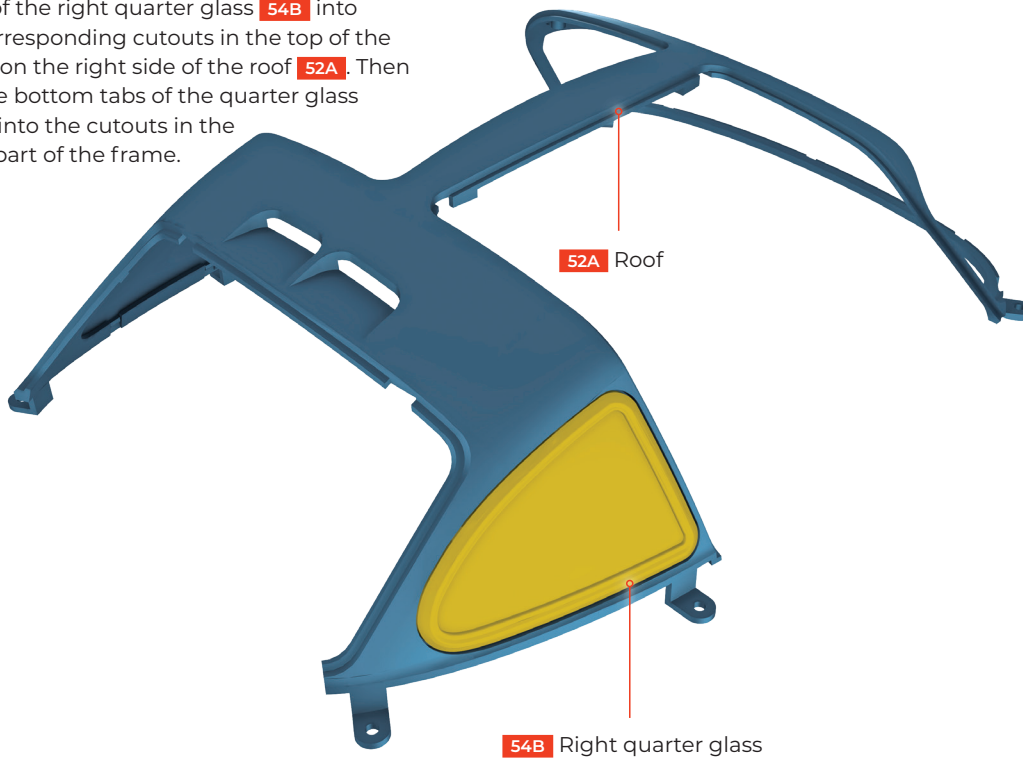
Carefully fit the two tabs on the top edge of the left quarter glass **54A** into the corresponding cutouts in the top of the frame on the left side of the roof **52A** supplied in stage 52. Then clip the bottom tabs of the quarter glass firmly into the cutouts in the lower part of the frame.



To avoid getting fingerprints on the windows, use surgical gloves while fitting them.

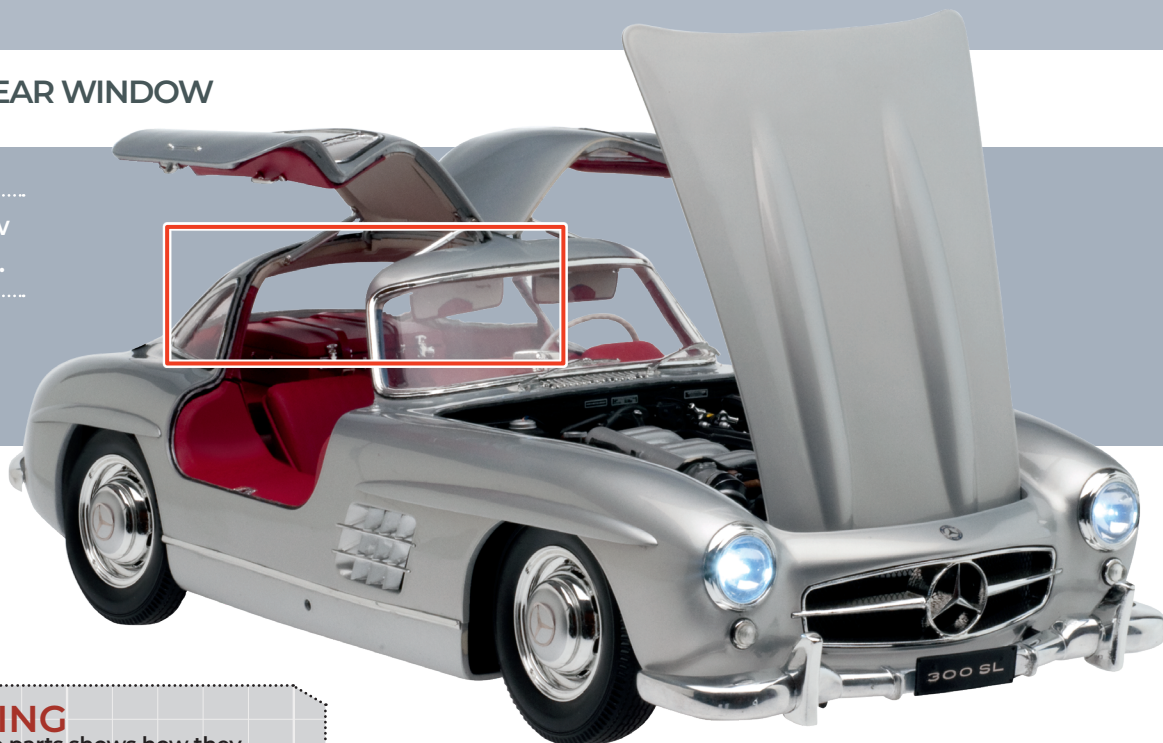
## 02 FITTING THE RIGHT QUARTER GLASS

Carefully fit the two tabs on the top edge of the right quarter glass **54B** into the corresponding cutouts in the top of the frame on the right side of the roof **52A**. Then clip the bottom tabs of the quarter glass firmly into the cutouts in the lower part of the frame.



## STAGE 55: THE REAR WINDOW

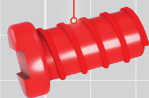
Fit the rear window to the roof module.



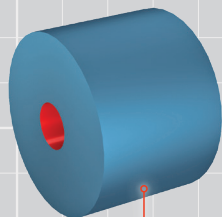
### COLOR CODING

The color coding of the parts shows how they should be put together.

**RED** indicates the screws and the correct position.



**YELLOW** indicates new parts.



**GRAY-BLUE** indicates the modules on which the new parts should be assembled.

### STAGE 55 - REQUIRED PARTS

Code	Name	Quantity	Material
<b>55A</b>	Rear window	1	SAN
<b>CM</b>	Screws 2 x 4mm	2 + 1*	Iron

\* Replacement screws included



## 01 FITTING THE REAR WINDOW

Carefully fit the two tabs on the top edge of the rear window **55A** over the corresponding screw holes inside the roof **52A**. The frame of the window must be positioned against the outside edge of the roof. Fix the window in place with two **CM** screws (figure 1). Do not over-tighten these screws, as the SAN resin is fragile.

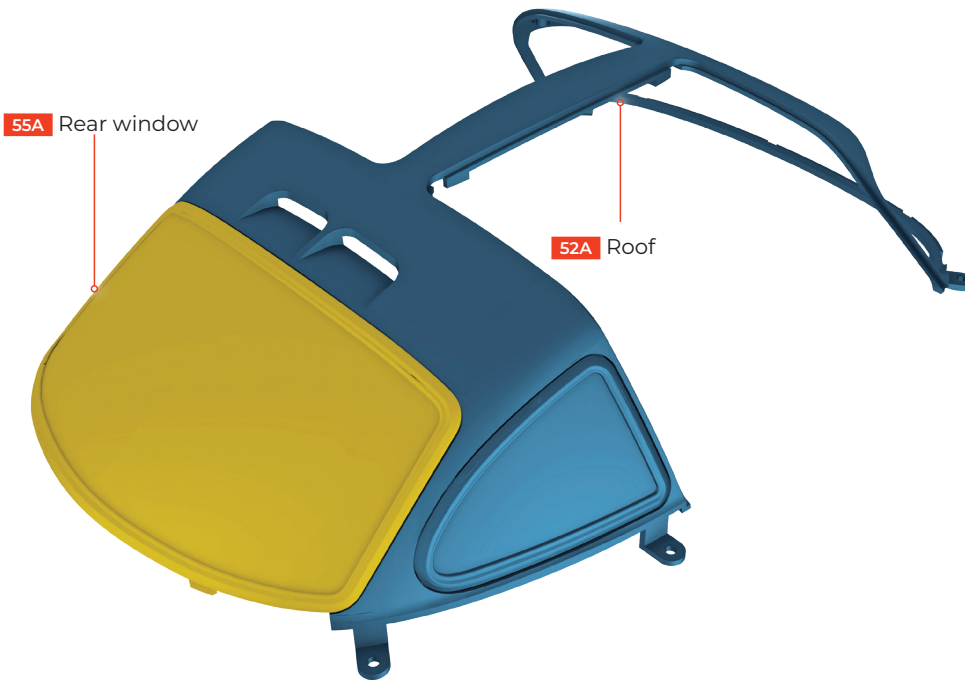
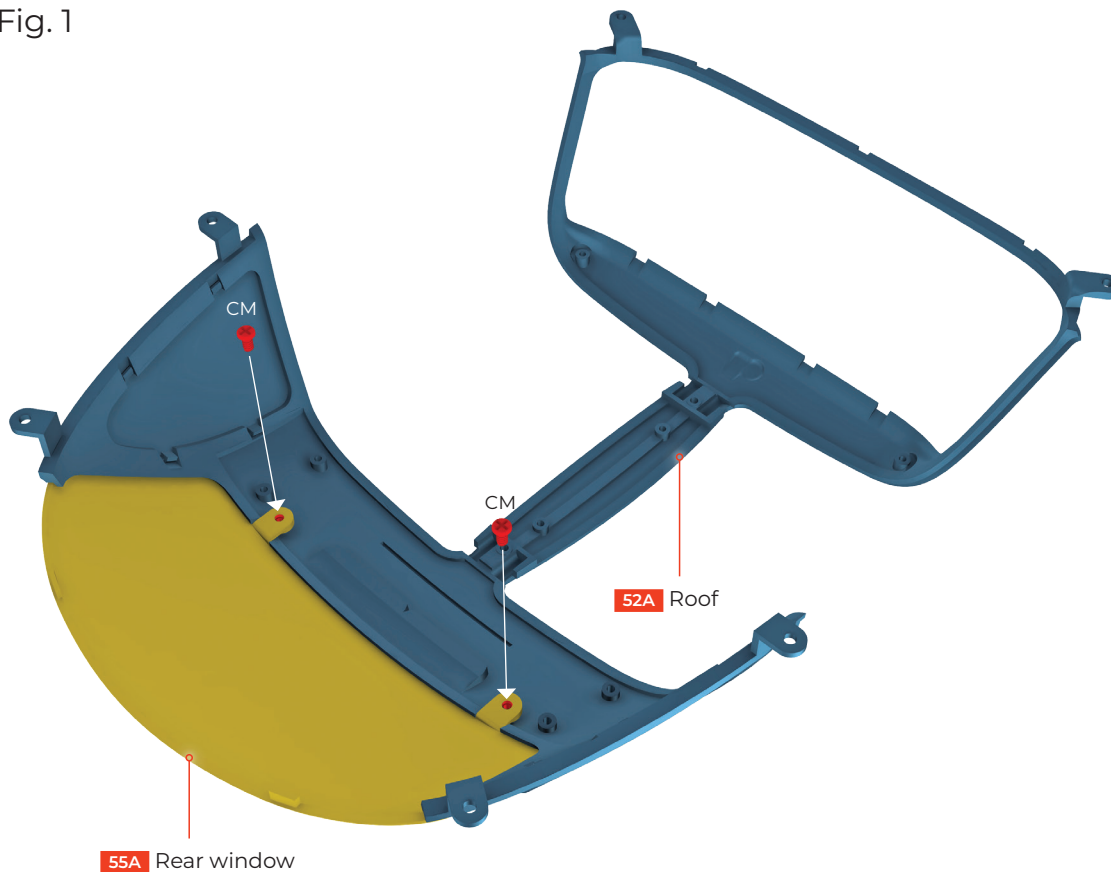


Fig. 1



Work on a soft cloth to avoid scratching the paintwork on the roof, and wear surgical gloves to avoid getting fingerprints on the windows.

## STAGE 56: THE MAIN BODY SHELL

Fit the roof and front windshield to the main body shell, then install the front radiator grille and mesh from stage 1.

### STAGE 56 – REQUIRED PARTS

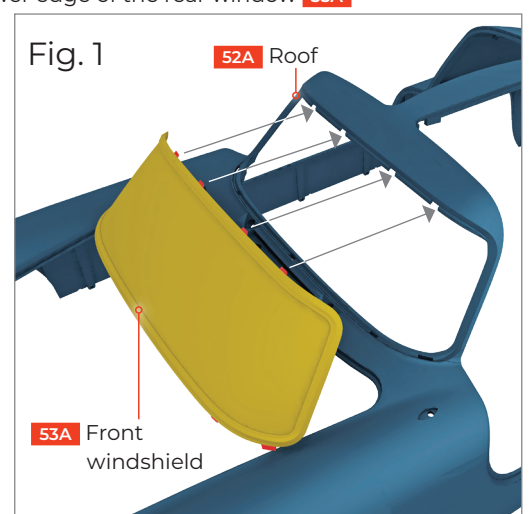
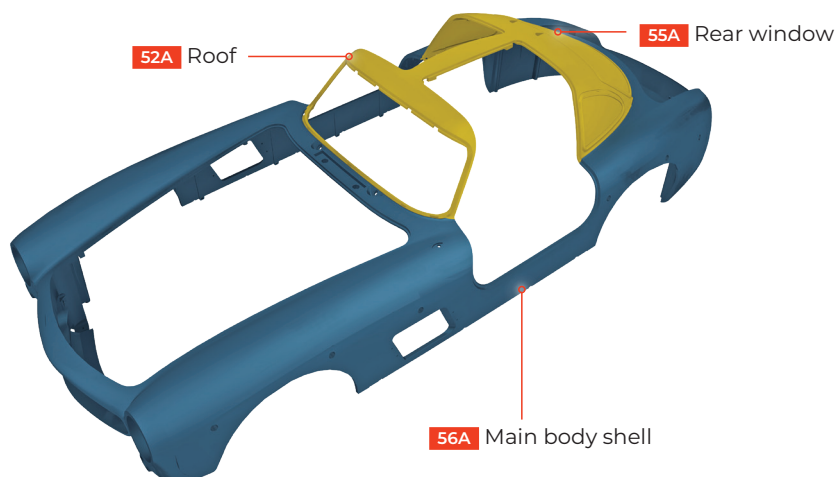
Code	Name	Quantity	Material
56A	Main body shell	1	Zinc
CM	Screws 2 x 4mm	6 + 2*	Iron
GP	Screws 1.7 x 6mm	2 + 1*	Iron
PM	Screws 2.3 x 7mm	2 + 1*	Iron

\* Replacement screws included



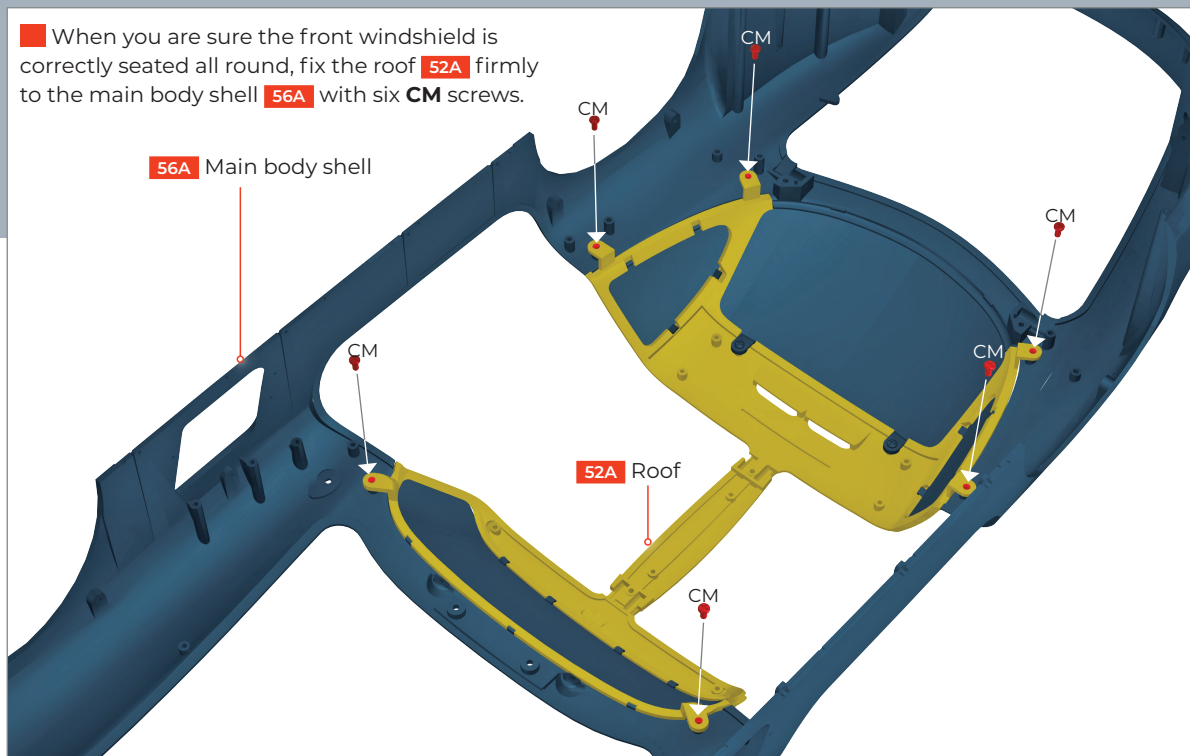
### 01 FITTING THE FRONT WINDSHIELD

Fit the roof (52A) up into the central frame of the main body shell (56A), ensuring that the six tabs around the edges of the roof align with the corresponding screw posts beneath the body shell. Before fixing the roof with screws, fit the tabs around the front windshield (53A) into the four slots in the upper windshield frame of the roof and the five slots along the bottom of the frame (figure 1). Also, ensure that the lower edge of the rear window (55A) fits snugly against the main body shell.



## 02 FIXING THE ROOF

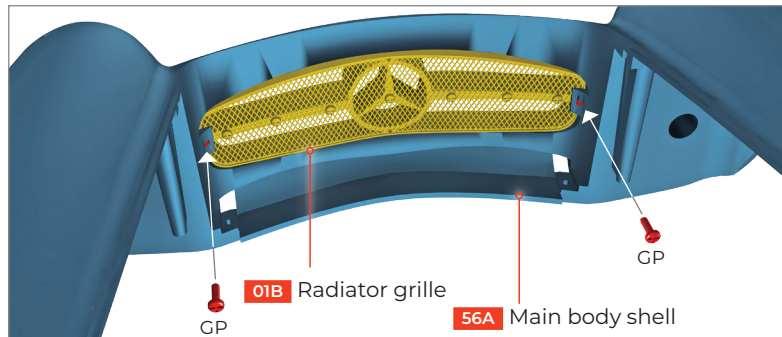
When you are sure the front windshield is correctly seated all round, fix the roof **52A** firmly to the main body shell **56A** with six **CM** screws.



Work on a soft cloth to avoid scratching the paintwork on the roof and main body shell, and wear surgical gloves to avoid getting fingerprints on the windows.

## 03 INSTALLING THE RADIATOR GRILLE

Take the radiator grille **01B** and the grille mesh that you assembled in stage 1. From inside, fit the radiator grille into the front opening of the main body shell **56A**. Fix it in place from inside with two **GP** screws.



## 04 FITTING THE FRONT BUMPER

Take the assembled front bumper **05A**, overrides, and brackets that you built in stage 5. Insert the left bumper support **05E** and the right bumper support **05F** through the holes in the front of the main body shell **56A**. Fix the bumper in place from inside with two **PM** screws (figure 1).

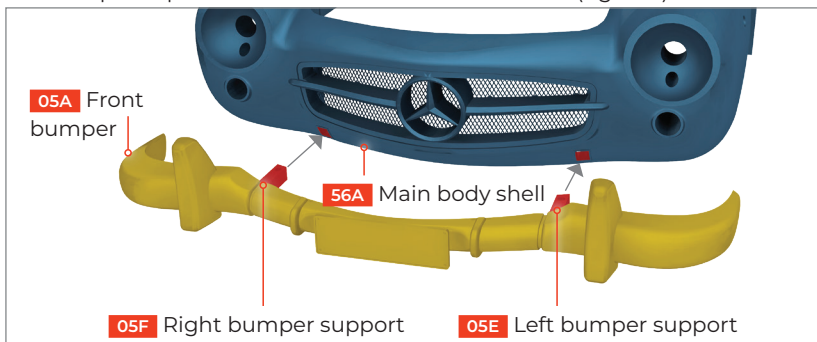


Fig. 1

