

1955

MERCEDES-BENZ

**300 SL**

GULLWING



# Pack 07

## BUILD INSTRUCTIONS

STAGE 46: THE LARGE SUITCASE

STAGE 47: THE SUITCASES

STAGE 48: THE DASHBOARD

STAGE 49: THE SWITCH AND WIRES

STAGE 50: THE DASHBOARD SUPPORT FRAME

STAGE 51: THE CONTROL CIRCUIT BOARD

STAGE 52: THE ROOF

STAGE 53: THE FRONT WINDSHIELD

"MERCEDES-BENZ" and  are the intellectual property of Mercedes-Benz Group AG.  
They are used by Agora Models under license.

**AGORA**  
MODELS

## Advice from the experts

Spare screws are included with each part. Occasionally, you may be instructed to keep spare or unused screws for a later stage. Keep these spares in a safe place and label them correctly.

Please make sure you don't mix up the screws. They look quite similar, but the threads do vary slightly. Using the wrong screws may damage the parts.

When securing parts together using multiple screws, fit each screw loosely to ensure all the parts are correctly aligned before gently tightening them firmly, but not overtight, in the order in which you placed them.

The screwdriver can be magnetized by stroking it with a magnet (fridge magnet, etc.) enabling it to hold the screws and make assembly easier.

If a screw is tight going into a metal part, do not force it as you may shear the head off. Remove it and put a tiny smear of Vaseline, soap or light oil on the thread. That will lubricate it and make it easier to drive home.

During the course of this build, you will receive many pieces that you will assemble immediately – following the instructions in the corresponding stage – and other pieces that you should store safely to one side, for use in future assembly stages.

Left and Right! When building your Mercedes-Benz 300SL, the left or right hand side refers to each side as you are sitting in the car.



**WARNING:** Some parts are assembled using magnets. These magnets can cause serious injury if they are swallowed. Keep away from children. If you suspect a magnet has been swallowed, seek medical help straight away.

## STAGE 46: THE LARGE SUITCASE

In this stage, you will build the large suitcase to stow in the luggage compartment. You will need super glue for the assembly.



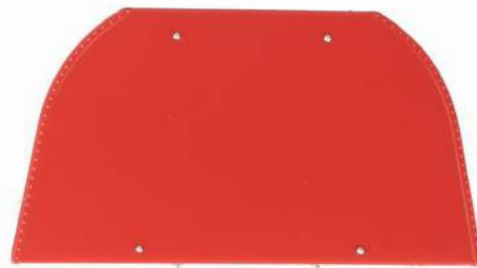
### STAGE 46 - REQUIRED PARTS

Code	Name	Quantity	Material
46A	Large suitcase	1	ABS
46B	Large suitcase lid	1	ABS
46C	Suitcase hinge	3	ABS
46D	Suitcase lock catch (right)	1	ABS
46E	Suitcase lock catch (left)	1	ABS
46F	Suitcase lock clasp	2	ABS
46G	Suitcase handle fitting	2	PVC
46H	Suitcase handle	1	ABS
46I	Suitcase fixed lock	2	ABS
SP	Screws 1.5 x 3mm	6 + 2*	Iron

\* Replacement screws included



46A



46B



46C



46D 46E



46F



46G



46H



46I



SP

## 01 FIXING THE LOCK CATCHES

Align the right **46D** and left **46E** suitcase lock catches with the large suitcase **46A**. Apply a small amount of super glue to each catch then fix in place (figure 1).

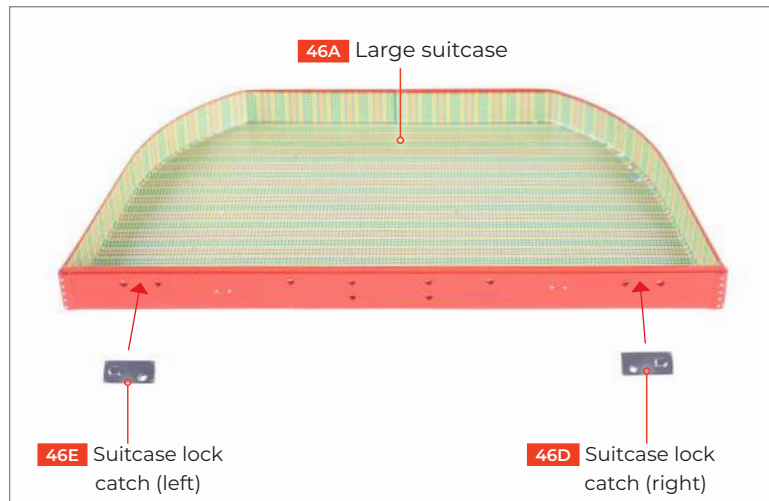
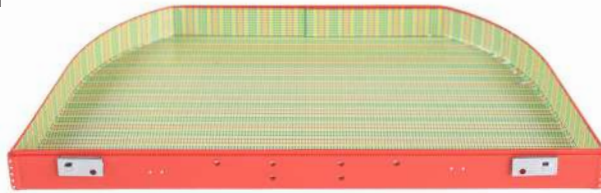


Fig. 1



Use a cocktail stick when gluing small parts for a more precise application.

## 02 ATTACHING THE SUITCASE HANDLE

Now position the suitcase handle **46H** between the four holes in the middle of the suitcase. Make sure the handle is curved putwards, then fix it in place using the suitcase handle fittings **46G** (figure 1).

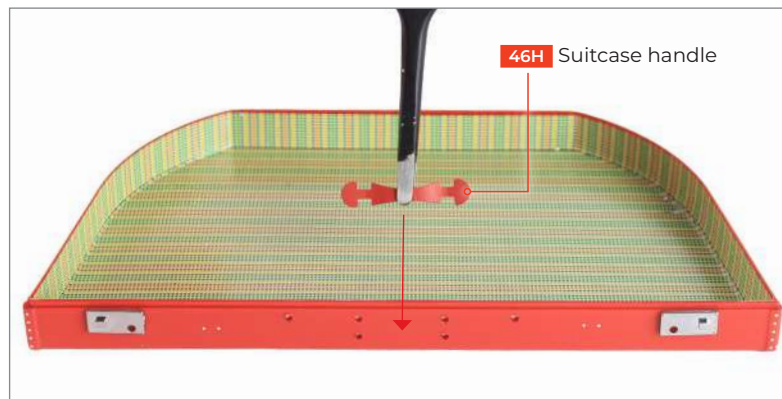
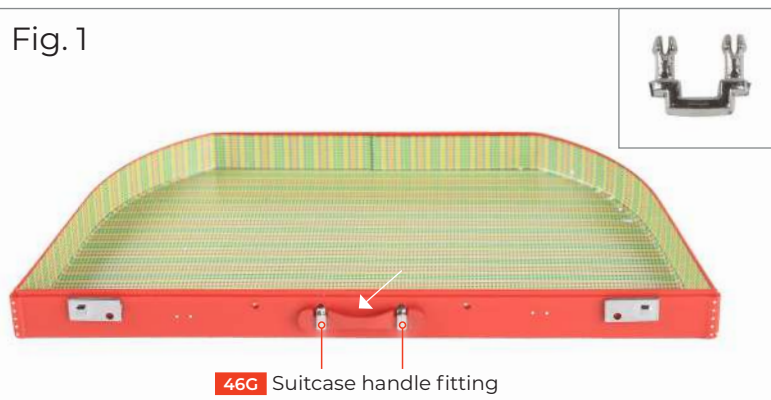


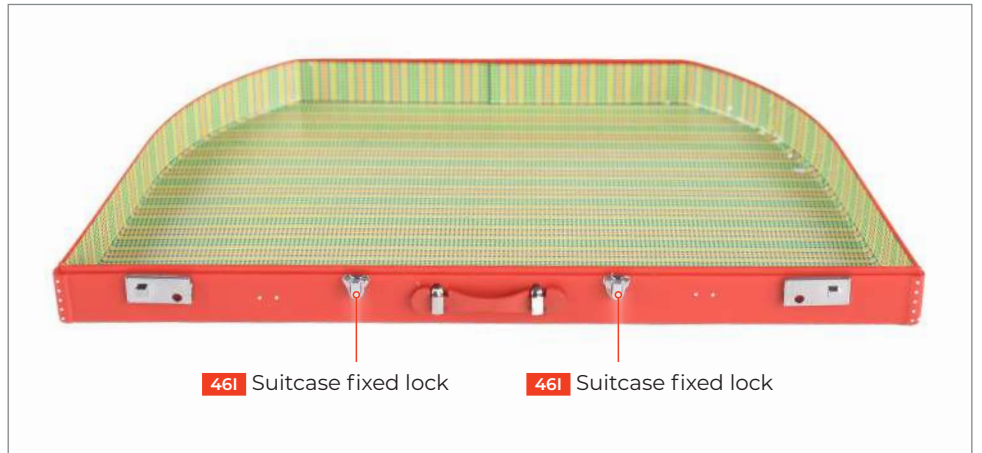
Fig. 1



## STAGE 46: THE LARGE SUITCASE

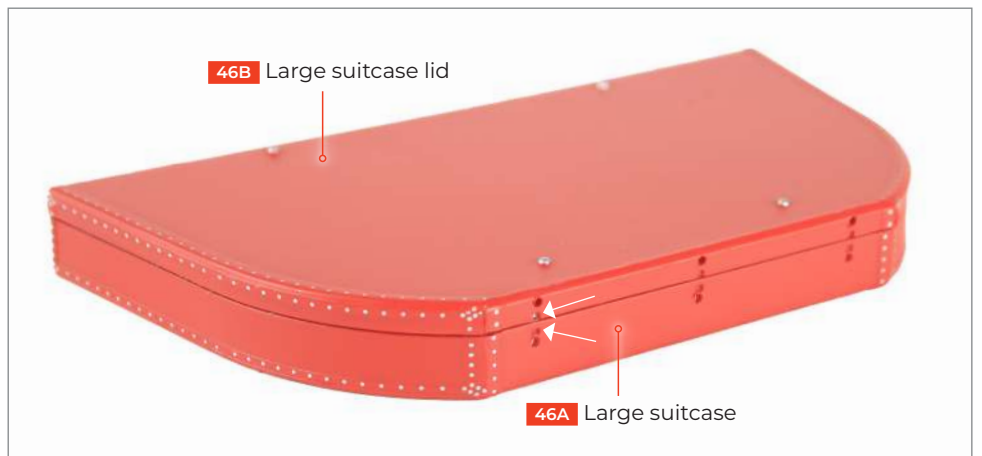
### 03 FITTING THE FIXED LOCKS

Use a small drop of super glue to fit the suitcase fixed locks **46I** in place as shown.



### 04 ADDING THE SUITCASE LID

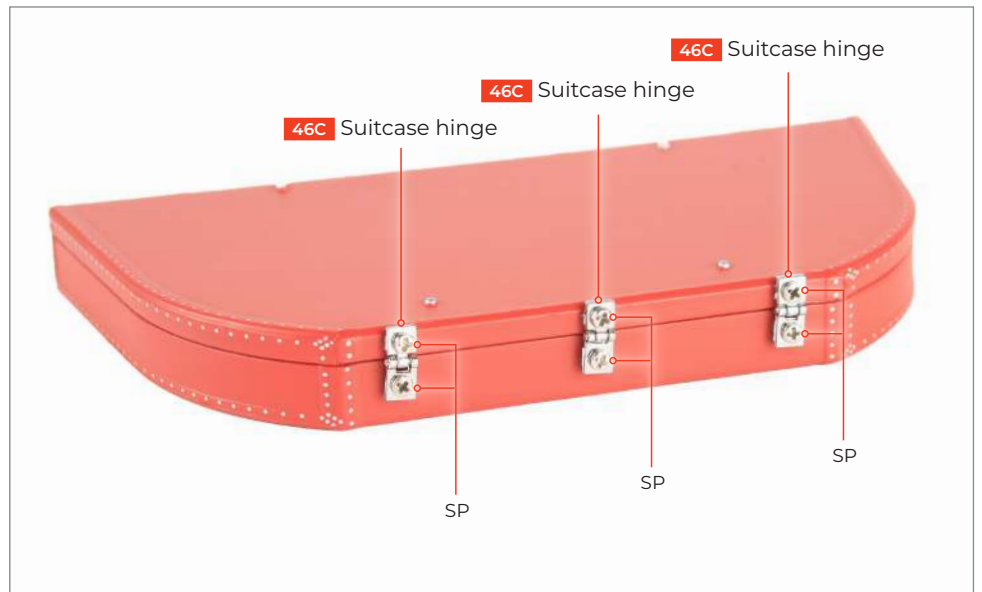
Place the large suitcase lid **46B** onto the lower part of the large suitcase **46A** and press firmly in place. Note the notches by the screw holes located on the rear of the case for fitting the hinges in the next steps (arrow).



### 05 FIXING THE HINGES

Take the three suitcase hinges **46C** and locate the small pins on one side (figure 1). The larger pin inserts into the notch on the lid, the smaller into the notch on the suitcase. Position each hinge in place then secure using two SP screws as shown.

Fig. 1



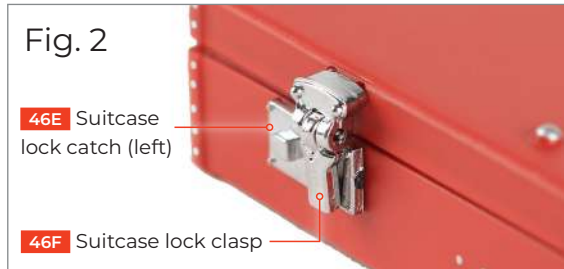
## 06 FITTING THE LOCK CLASPS

Take the suitcase lock clasps **46F** and apply a small amount of super glue to the two pins on one of them. Do not apply glue to the smaller pin (figure 1). Press the large pins into the two holes in the suitcase lid and the smaller pin into the left lock catch **46E** (figure 2). Repeat this process with the other clasp on the opposite side of the suitcase.

Fig. 1

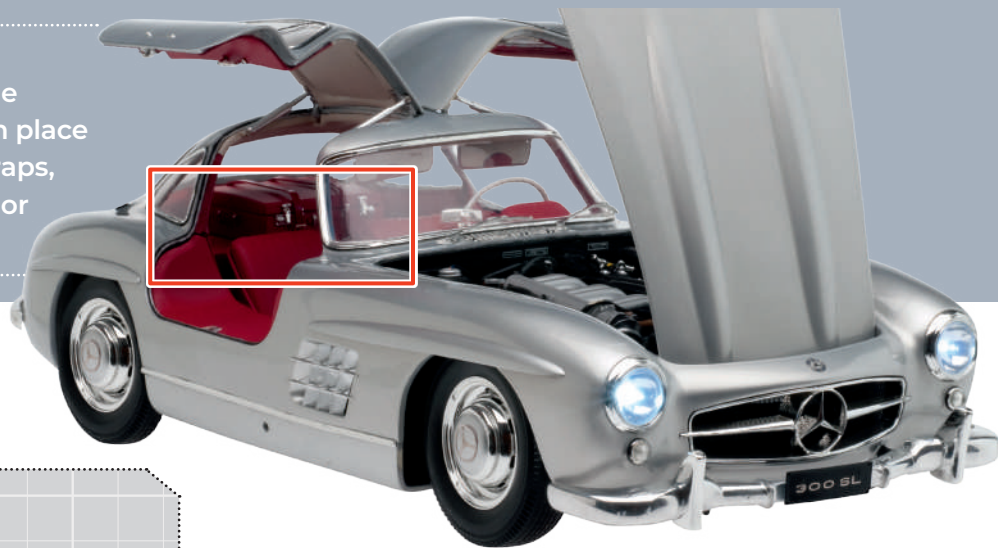


Fig. 2



## STAGE 47: THE SUITCASES

Build the small suitcase then stow both of the suitcases in the luggage compartment, secure them both in place using the previously assembled straps, and then fix the suitcase rear anchor frame in place.



### STAGE 47 - REQUIRED PARTS

Code	Name	Quantity	Material
47A	Small suitcase	1	ABS
47B	Small suitcase lid	1	ABS
47C	Suitcase lock catch (right)	1	ABS
47D	Suitcase lock catch (left)	1	ABS
47E	Suitcase hinge	3	ABS
47F	Suitcase handle fitting	2	ABS
47G	Suitcase lock clasp	2	PVC
47H	Suitcase handle	1	ABS
47I	Suitcase fixed lock	2	ABS
SP	Screws 1.5 x 3mm	6 + 2*	Iron

\* Replacement screws included



47A



47B



47C



47D



47E



47F



47G



47H



47I



SP

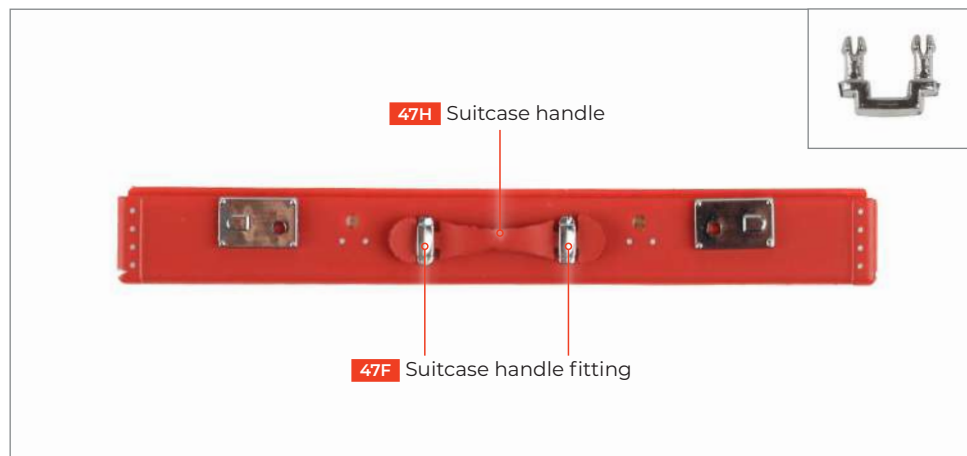
## 01 FIXING THE LOCK CATCHES

Align the right **47C** and left **47D** suitcase lock catches with the small suitcase **47A**. Apply a small amount of super glue to each catch then fix in place (figure 1).



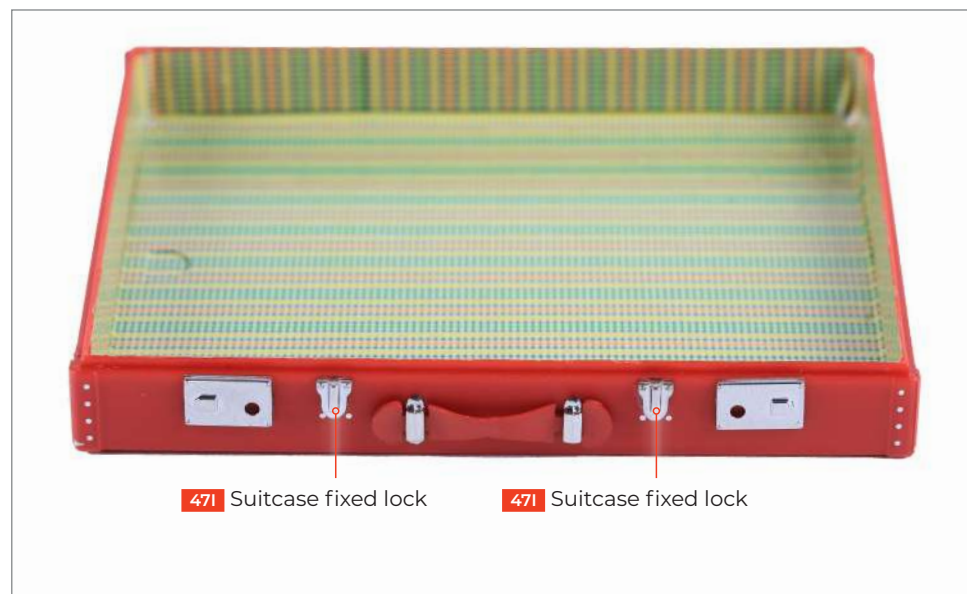
## 02 ATTACHING THE SUITCASE HANDLE

Now position the suitcase handle **47H** between the four holes in the middle of the suitcase, then fix it in place by pressing in the suitcase handle fittings **47F**.



## 03 FITTING THE FIXED LOCKS

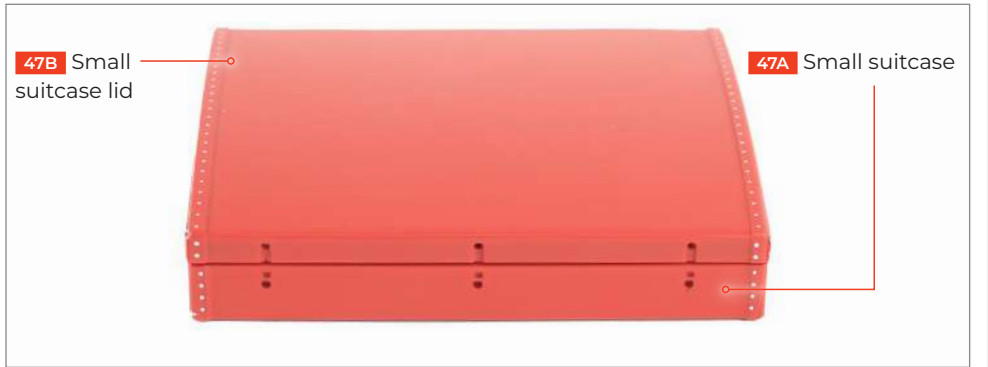
Use a small drop of super glue to fit the suitcase fixed locks **47I** in place as shown.





**04** ADDING THE SUITCASE LID

Place the small suitcase lid **47B** onto the lower part of the small suitcase **47A** and press firmly in place.



**05** FITTING THE FIXED LOCKS

Take the three suitcase hinges **47E** and locate the small pins on one side (figure 1). The larger pin inserts into the notch on the lid, the smaller into the notch on the suitcase. Position each hinge in place then secure each using two SP screws as shown.

Fig. 1



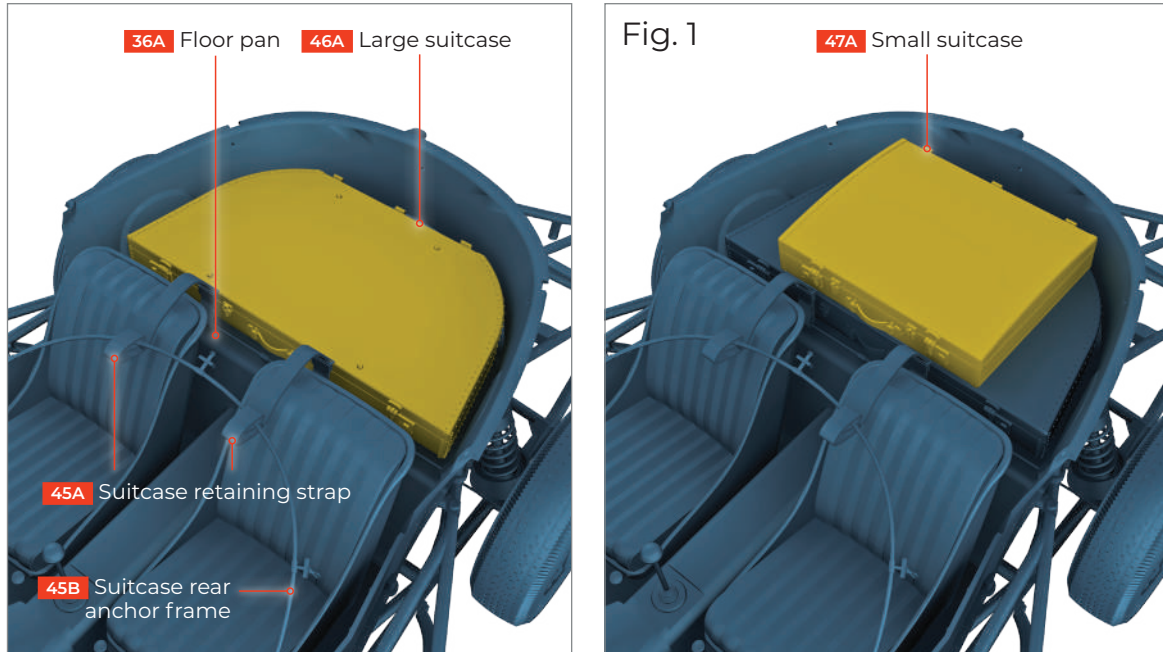
**06** FITTING THE LOCK CLASPS

Take the suitcase lock clasps **47G** and apply a small amount of super glue to the two pins on one of them. Do not apply glue to the smaller pin. Press the large pins into the suitcase lid and the smaller pins into the left lock catch **47D** and the right lock catch **47C** as shown.



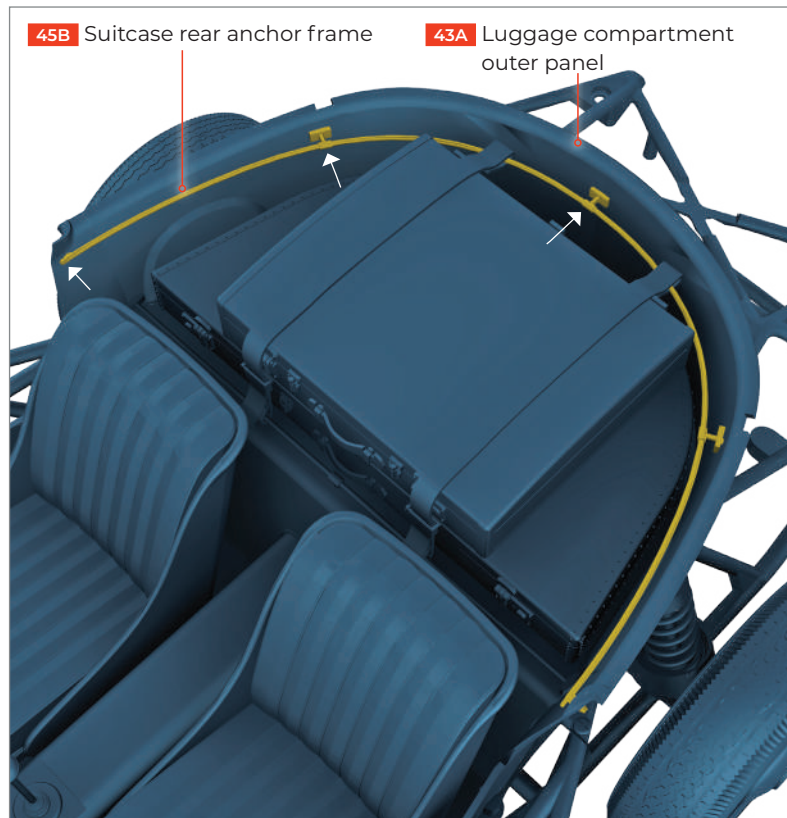
## 07 STOWING THE SUITCASES

Temporarily position the suitcase rear anchor frame **45B** and the straps **45A** in front of the seats. Fit the large suitcase **46A** into the luggage compartment of the floor pan **36A**. Then place the small suitcase **47A** on top of the larger suitcase, both with their carrying handles towards the front of the car (figure 1).



## 08 FIXING THE SUITCASE REAR ANCHOR FRAME IN PLACE

Now reposition the suitcase rear anchor frame **45B** and straps **45A** over the top of the two suitcases. Using tweezers, push the central clip of the suitcase rear anchor frame **45B** into the small central hole in the luggage compartment outer panel **43A**. Then push the four remaining clips into their corresponding holes around the sides of the luggage compartment outer panel **43A**.



Be careful during later assembly stages that the suitcases do not slip out of position – especially when turning the car upside down.

## STAGE 48: THE DASHBOARD

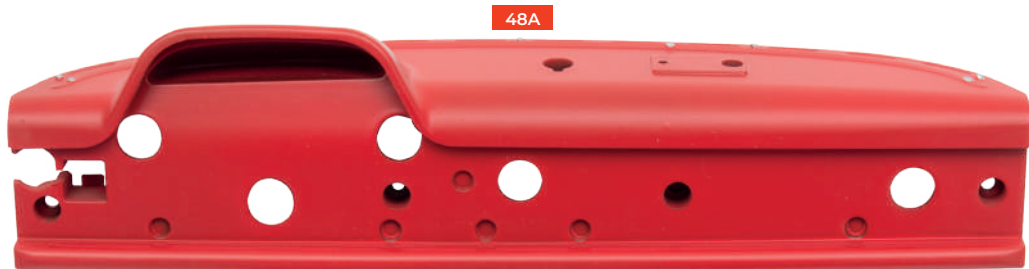
Fit the ashtray cover and rear-view mirror to the dashboard.



### STAGE 48 - REQUIRED PARTS

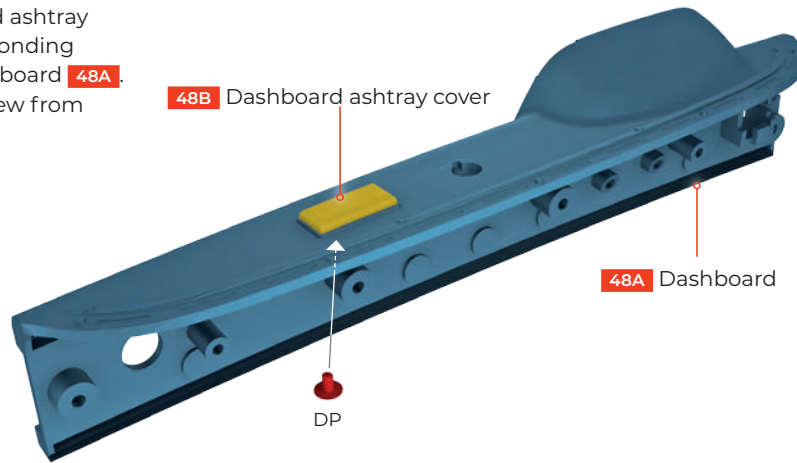
Code	Name	Quantity	Material
48A	Dashboard	1	ABS
48B	Dashboard ashtray cover	1	ABS
48C	Rear-view mirror bracket	1	ABS
48D	Rear-view mirror	1	ABS
DP	Screws 1.7 x 3 x 4.5mm	1 + 1*	Iron
HP	Screws 2 x 4mm	1 + 1*	Iron

\* Replacement screws included



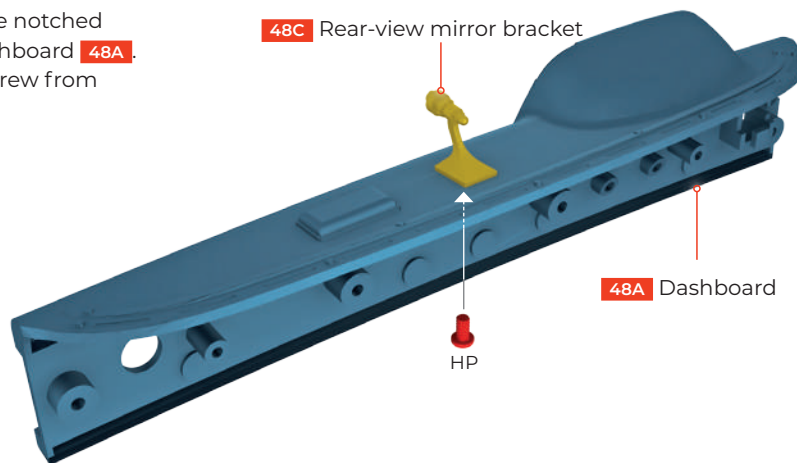
## 01 FITTING THE DASHBOARD ASHTRAY COVER

Fit the screw post and pin on the underside of the dashboard ashtray cover **48B** into the corresponding holes in the top of the dashboard **48A**. Fix it in place with a **DP** screw from underneath.



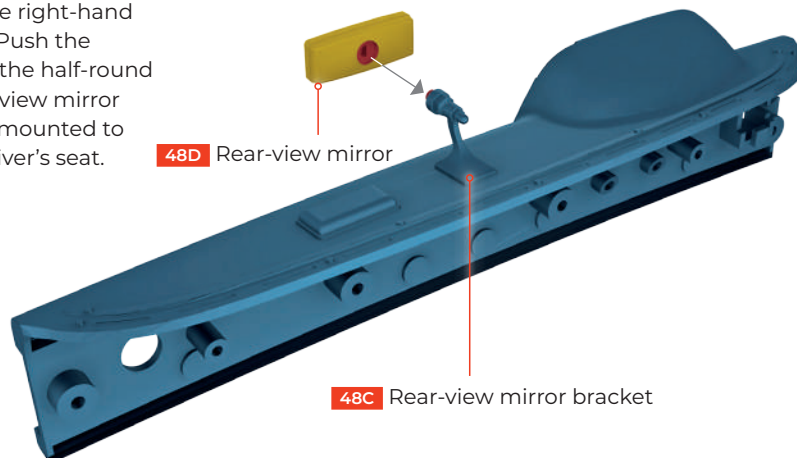
## 02 FITTING THE REAR-VIEW MIRROR BRACKET

Fit the notched base of the rear-view mirror bracket **48C** into the notched socket in the top of the dashboard **48A**. Fix it in place with an **HP** screw from underneath.



## 03 FITTING THE REAR-VIEW MIRROR

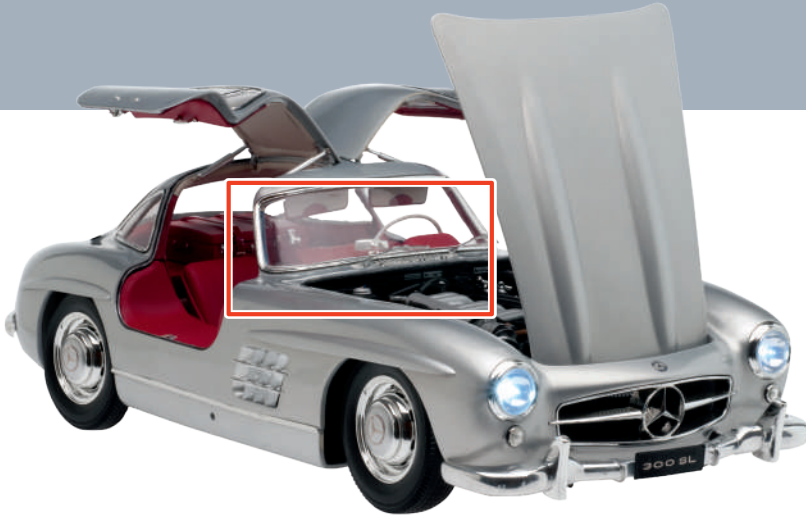
Please read the TIP in the right-hand margin before continuing. Push the rear-view mirror **48D** onto the half-round pin on the neck of the rear-view mirror bracket **48C**. The mirror is mounted to face slightly towards the driver's seat.



The rear-view mirror bracket is fragile, so take great care when fitting the mirror to it, and then store the assembly carefully until the next stage. Alternatively, do not fit the mirror to the bracket at this stage, but instead store it separately until the car is nearer to completion.

## ■ STAGE 49: THE SWITCH AND WIRES

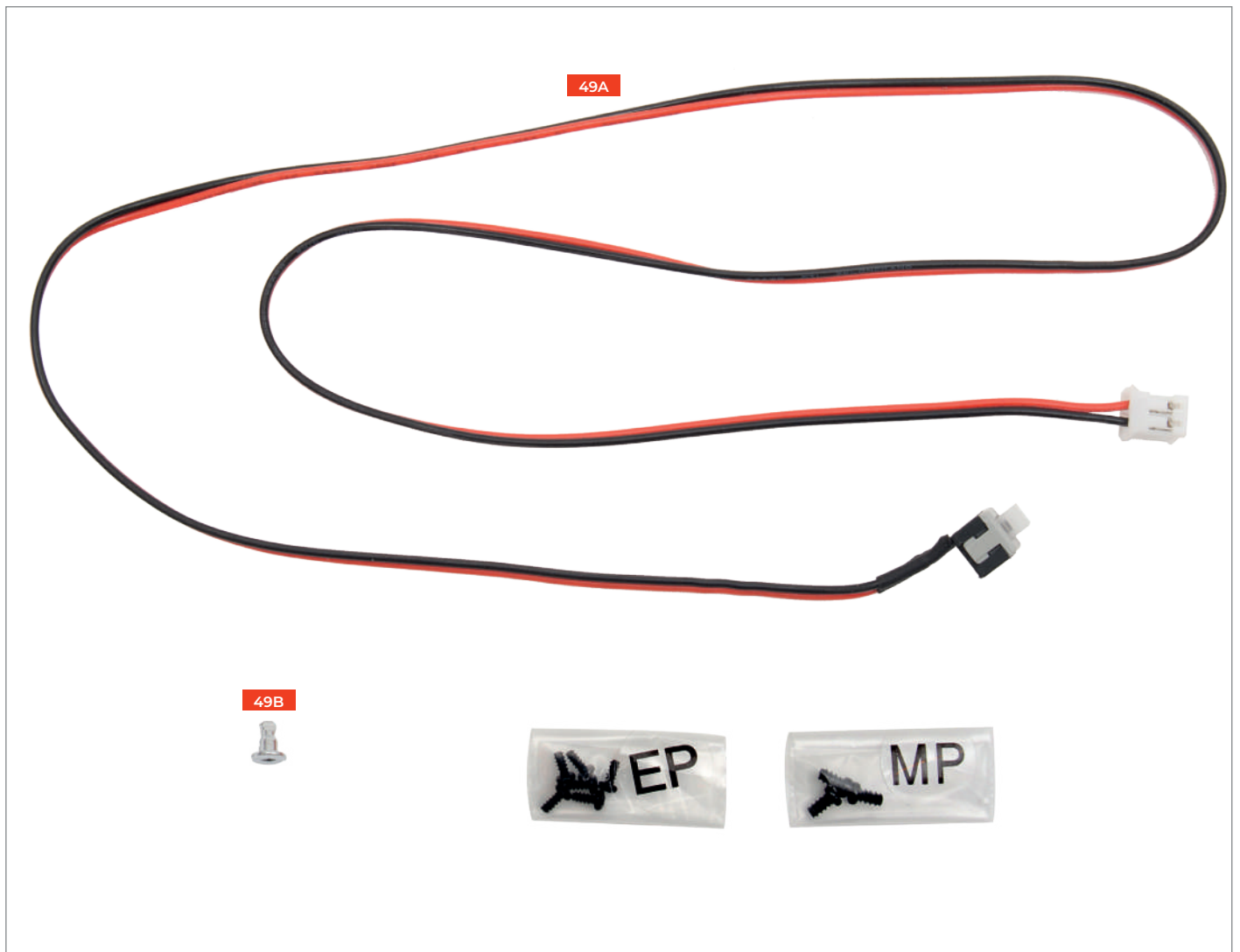
Install the On-Off toggle switch and wires to the dashboard and position the On-Off button. Attach the speedometer and rev counter, supplied in stage 3, to the instrument panel. Then fix the instrument panel to the dashboard. Finally, insert the steering column and fit the control arms.



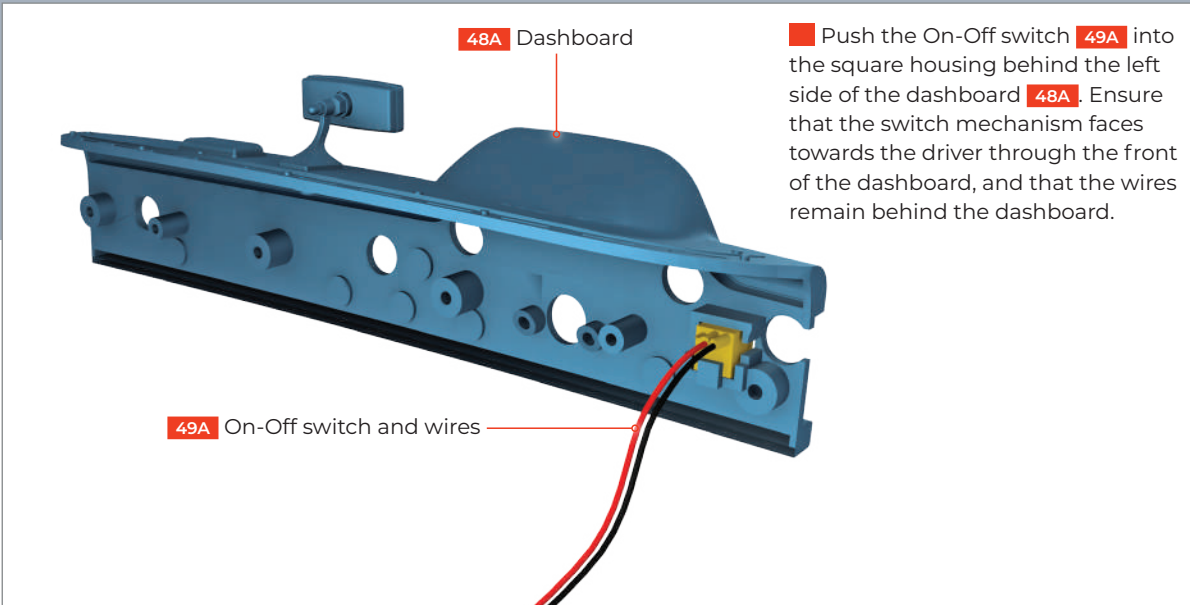
### STAGE 49 – REQUIRED PARTS

Code	Name	Quantity	Material
49A	On-Off switch and wires	1	Mixed
49B	On-Off button	1	ABS
EP	Screws 1.7 x 4mm	4+2*	Iron
MP	Screws 2.3 x 4mm	2+1*	Iron

\* Replacement screws included

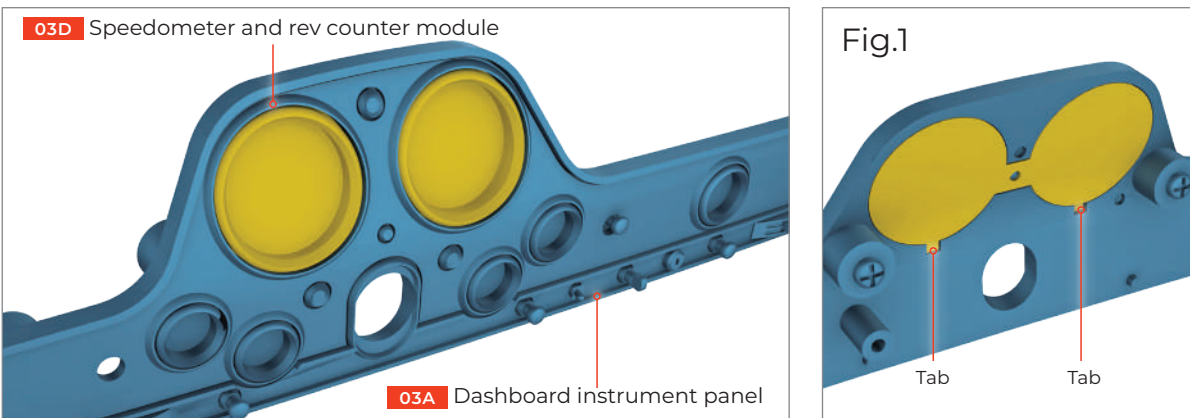


## 01 INSTALLING THE ON-OFF SWITCH AND WIRES



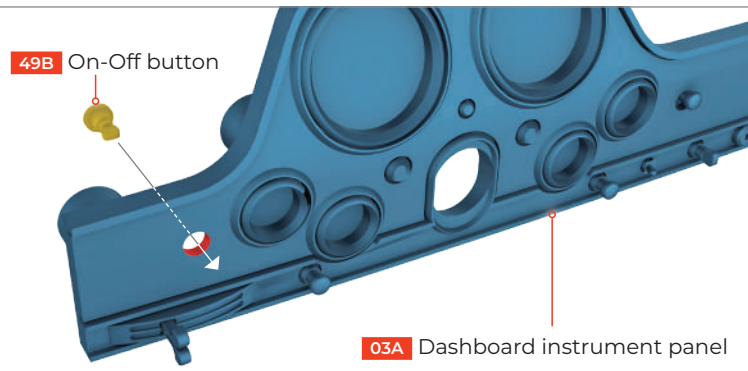
## 02 FITTING THE SPEEDOMETER AND REV COUNTER

Take the speedometer and rev counter module 03D and the dashboard instrument panel 03A, both supplied in stage 3. Push the module firmly into position on the back of the instrument panel. Note that it will only fit one way, so that the dials read the correct way up. Also ensure that the two small tabs at the bottom of the dials are pushed firmly into position on the instrument panel (figure 1).



## 03 FITTING THE ON-OFF BUTTON

From behind, insert the On-Off button 49B through the small hole in the left of the dashboard instrument panel 03A. Ensure that the button protrudes through the front of the panel.



Remember that the interior mirror support is fragile, so take care when handling the dashboard during this assembly.

**04 FITTING THE DASHBOARD INSTRUMENT PANEL**

Position the dashboard instrument panel **03A** onto the face of the dashboard **48A**. Ensure that the collar of the On-Off button **49B** is positioned over the toggle of the On-Off switch **49A**. Fix with four **EP** screws from behind, in the positions shown (figure 1). Press and release the On-Off button several times to check that it operates the switch toggle correctly (figure 2).

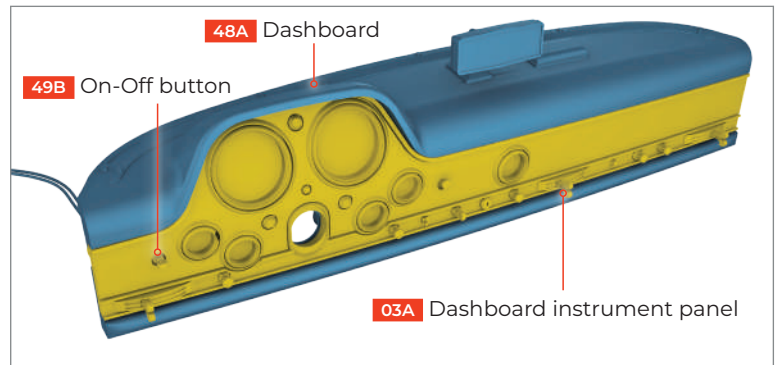


Fig. 1

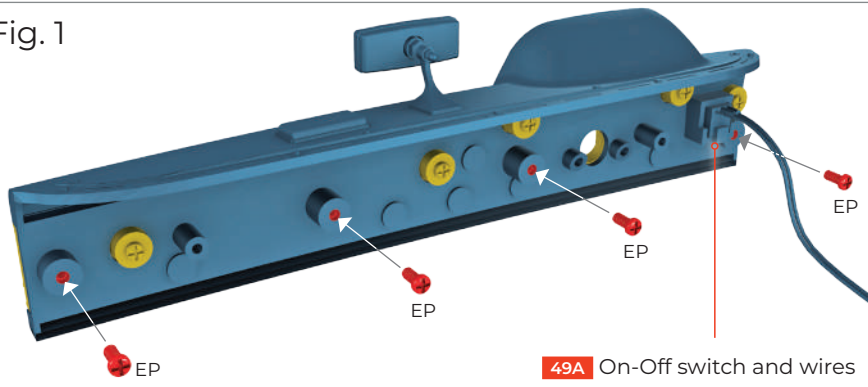
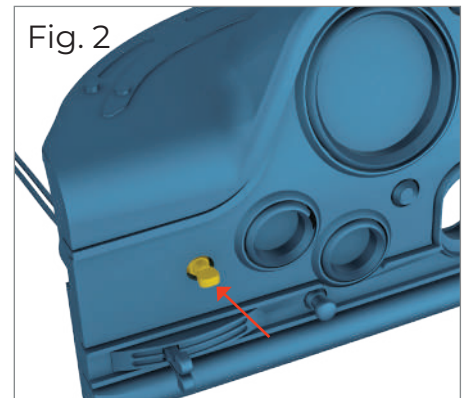
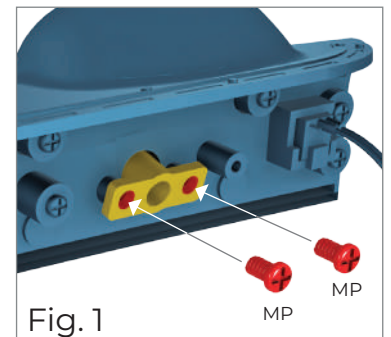
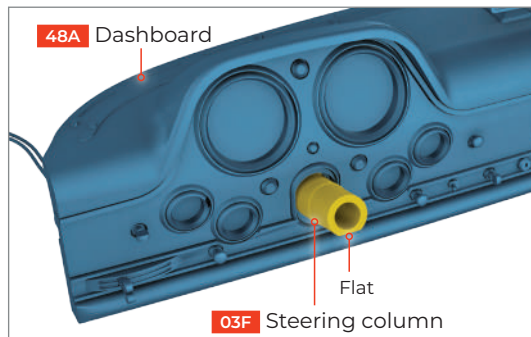


Fig. 2



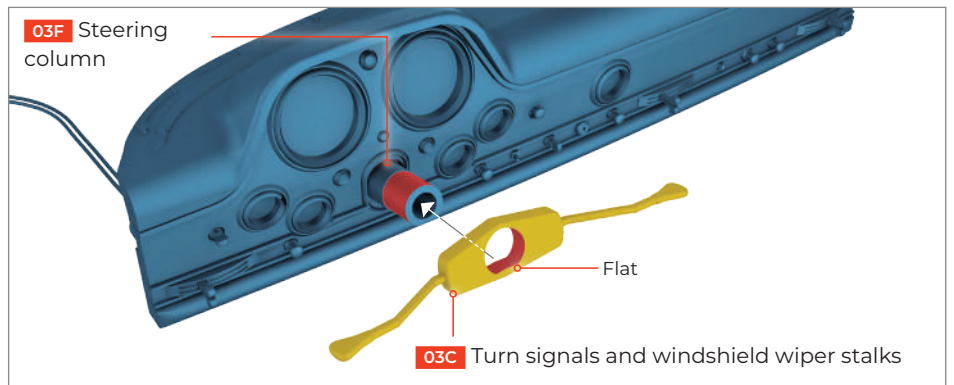
**05 FITTING THE STEERING COLUMN**

Take the steering column **03F** supplied in stage 3. From behind, insert the column through the hole in the dashboard beneath the speedometer and rev counter. Ensure that the flat surface on the tube of the column faces downwards, and that the two screw holes at the base of the steering column align with the posts on the back of the dashboard. Fix the steering column in place with two **MP** screws, as shown (figure 1).



**06 FITTING THE CONTROL ARMS**

Take the turn signals and windshield wiper stalks module **03C** which was supplied with stage 3. Slide the central collar of the module onto the neck of the steering column **03F**, ensuring that the flat part of the collar coincides with the flat part on the steering column tube.



In future stages you will complete the dashboard assembly and wiring, and fit the steering wheel, as shown below.





## STAGE 50: THE DASHBOARD SUPPORT FRAME

Fit the dashboard support frame to the back of the dashboard, insert the steering shaft, mount the dashboard onto the main chassis, add the left and right struts, and position the steering wheel.



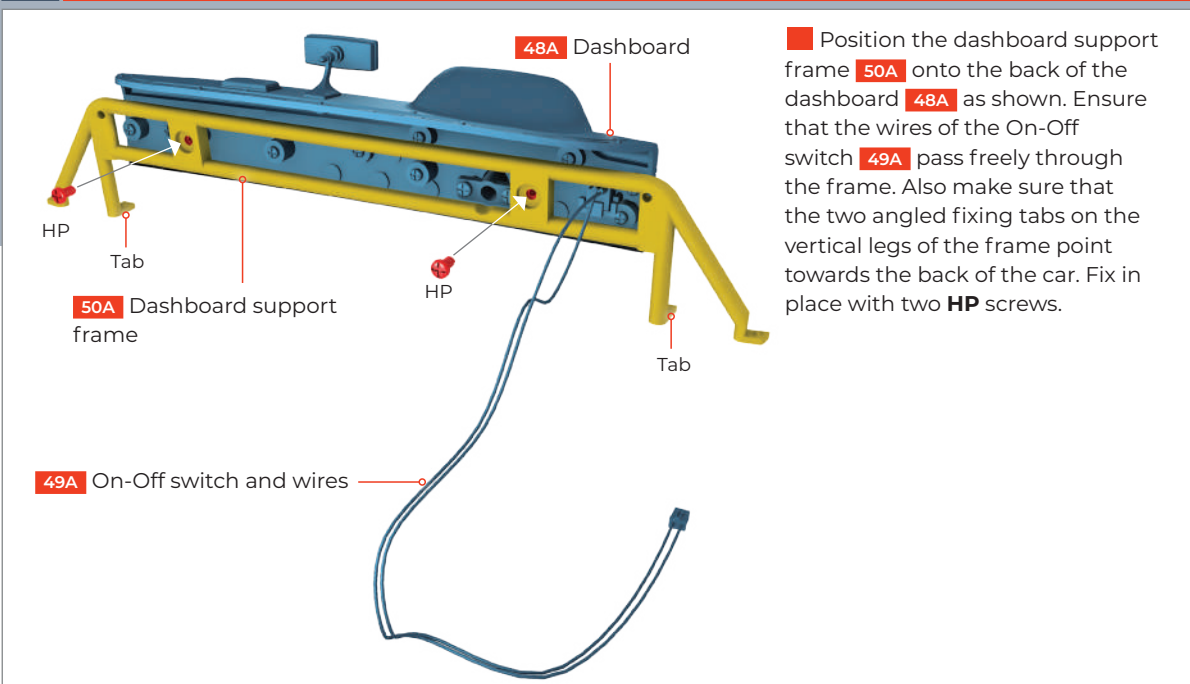
### STAGE 50 - REQUIRED PARTS

Code	Name	Quantity	Material
50A	Dashboard support frame	1	Zinc
50B	Dashboard frame left strut	1	Zinc
50C	Dashboard frame right strut	1	Zinc
50D	Steering shaft	1	Zinc
CM	Screws 2 x 4mm	4 + 2*	Iron
EM	Screws 2 x 5mm	1 + 1*	Iron
GM	Screws 2 x 7mm	4 + 2*	Iron
HP	Screws 2 x 4mm	2 + 1*	Iron
VM	Screws 1.7 x 3 x 4.5mm	1 + 1*	Iron

\* Replacement screws included



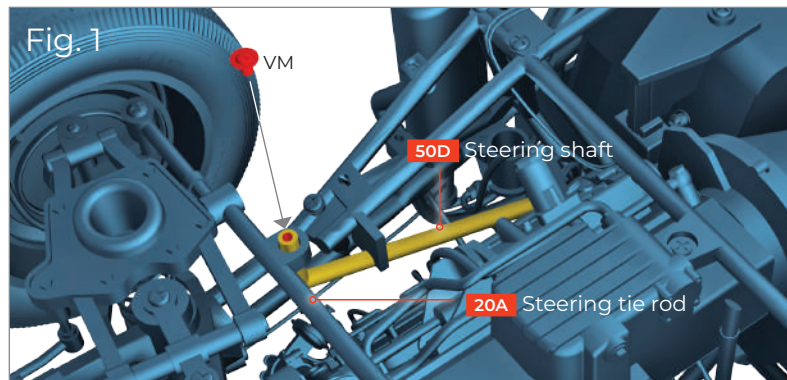
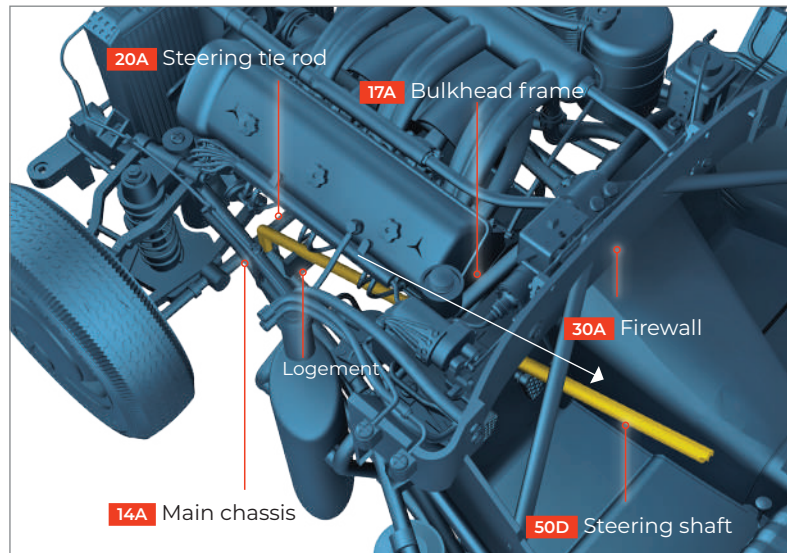
## 01 FITTING THE DASHBOARD SUPPORT FRAME



Remember that the interior mirror support is fragile, so take care when handling the dashboard during this assembly.

## 02 INSERTING THE STEERING SHAFT

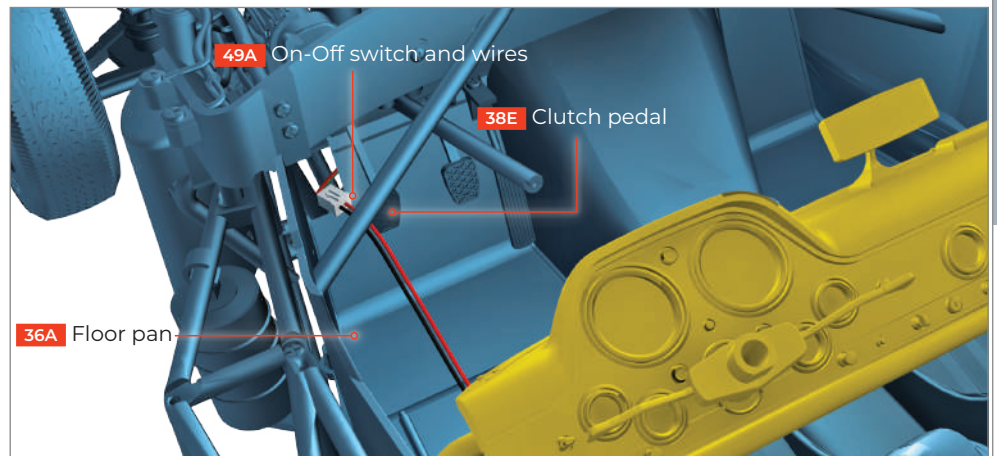
Take the main car assembly and slide the angled end of the steering shaft 50D down beneath the firewall 30A. Pass the shaft through the bulkhead frame 17A and onto the U-shaped support on the main chassis 14A. Then turn the complete car assembly upside down and fit the end of the steering shaft through the collar on the left side of the steering tie rod 20A. Secure it in place with a **VM** screw into the lower end of the steering shaft, as shown (figure 1).



## STAGE 50: THE DASHBOARD SUPPORT FRAME

### 03 FITTING THE ON-OFF SWITCH WIRES

Rest the dashboard assembly across the interior floor of the car with its front facing the back of the car. Feed the wires from the On-Off switch **49A** through the square hole in the floor pan **36A**, to the left of the clutch pedal **38E**. Allow the wires to trail loosely beneath the chassis for now – they will be secured in the next stage.



### 04 FITTING THE DASHBOARD TO THE MAIN CHASSIS

Raise the dashboard assembly and position it just in front of the firewall **30A** as shown in the picture. Carefully insert the end of the steering shaft **50D** up through the steering column hole **03F** until the end emerges the other side of the dashboard. Now locate the legs of the dashboard support frame **50A** over the screw holes on the left side tubular frame (1) **15A** and the right side tubular frame (1) **16A**. Fix in place with two **GM** screws through the tabs on the angled legs of the dashboard support frame, and two **CM** screws through the tabs on the vertical legs of the dashboard support frame (figure 1).

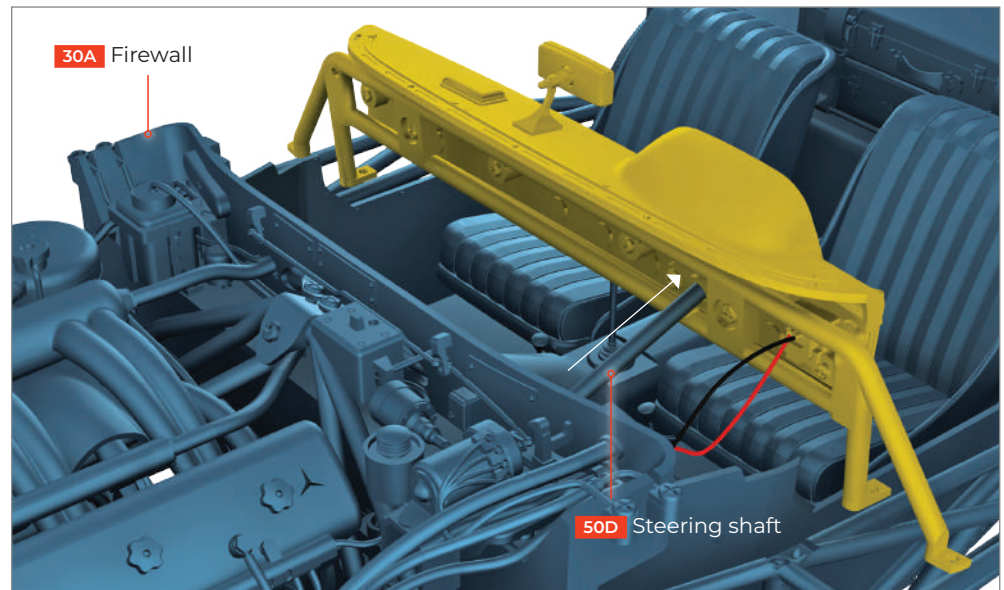
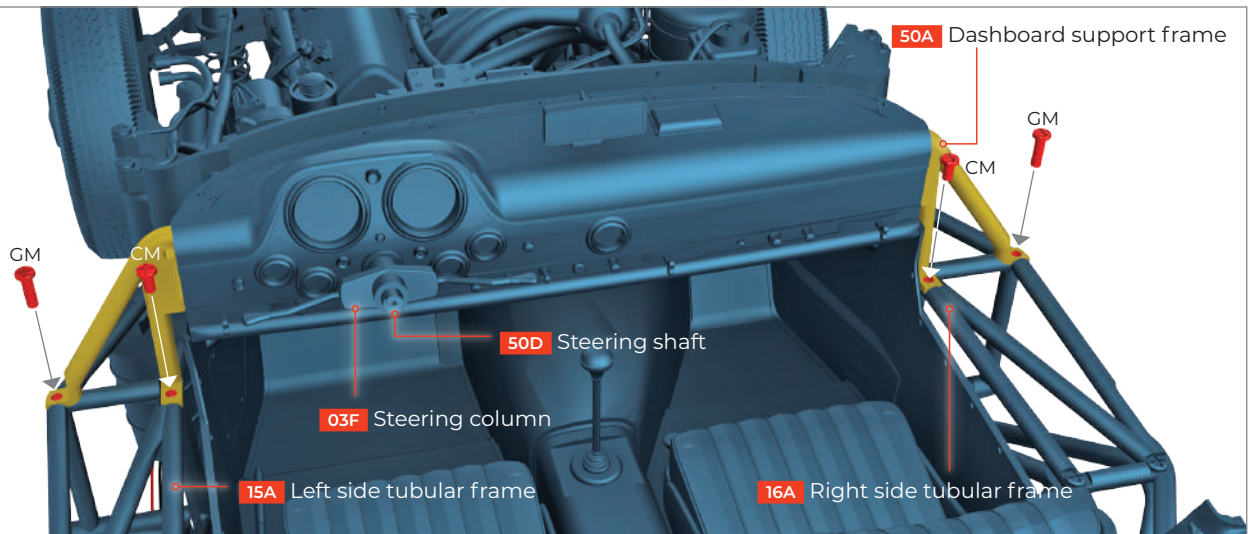
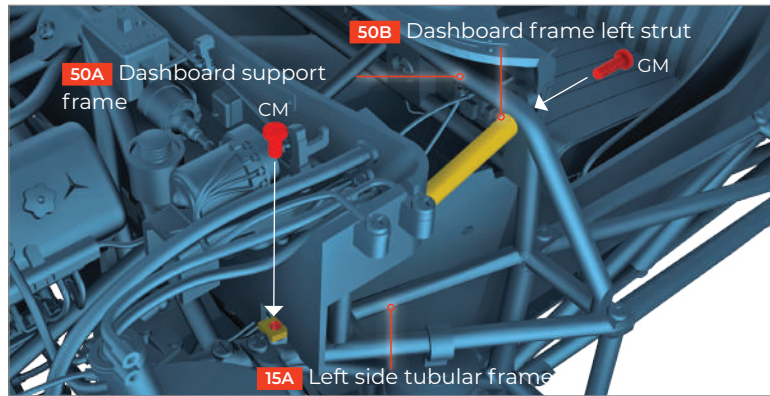


Fig. 1



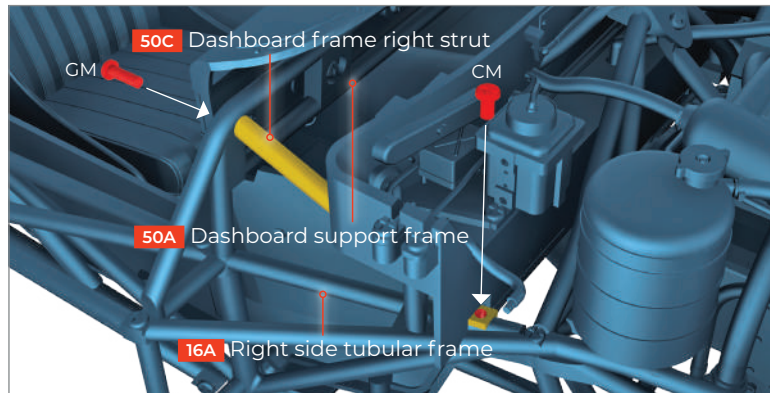
## 05 FITTING THE DASHBOARD FRAME LEFT STRUT

Position the dashboard frame left strut **50B** down in front of the left side of the dashboard tubular frame **50A** until the angled tab on the lower end rests on the socket in the forward V-joint of the left side tubular frame (1) **15A**. Fix in place with a **CM** screw through the angled tab. Fix the upper end of the strut in place with a **GM** screw through the dashboard tubular frame, as shown.



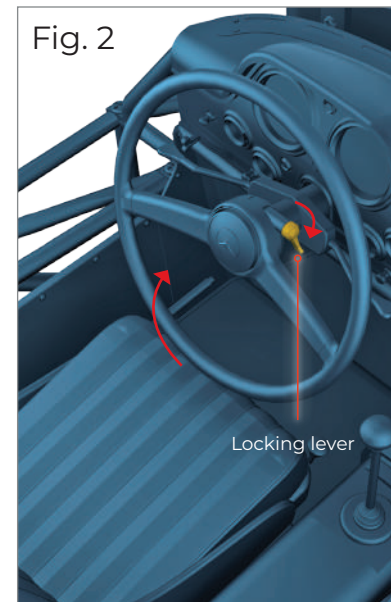
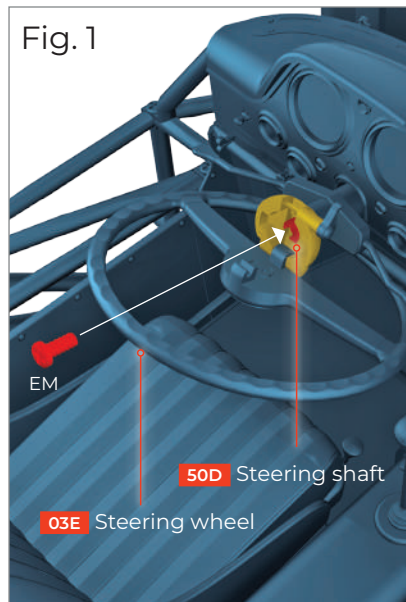
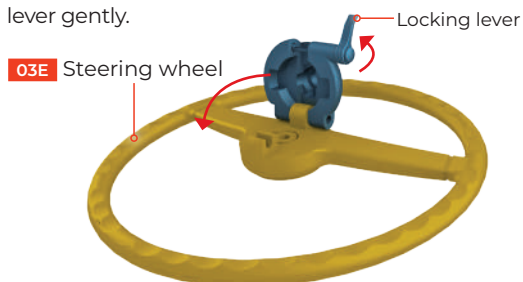
## 06 FITTING THE DASHBOARD FRAME RIGHT STRUT

Position the dashboard frame right strut **50C** down in front of the right side of the dashboard tubular frame **50A** until the angled tab on the lower end rests on the socket in the forward V-joint of the right side tubular frame (1) **16A**. Fix in place with a **CM** screw through the angled tab. Fix the upper end of the strut in place with a **GM** screw through the dashboard tubular frame, as shown.



## 07 FITTING THE STEERING WHEEL

Take the steering wheel **03E** supplied with stage 3, and release the locking lever by gently turning it. Hinge the steering wheel down to expose the screw hole that goes through the center of the locking mechanism. Fit the mechanism over the end of the steering shaft **50D**, ensuring that the steering wheel is hinged downwards and the locking lever is to the right. Fix with an **EM** screw through the center of the mechanism (figure 1). Then hinge the steering wheel upwards and secure it in position (figure 2) by turning the locking lever gently.



## STAGE 51: THE CONTROL CIRCUIT BOARD

Fit the circuit board that controls the lighting system to the underneath of the floor pan, then connect it to the wiring from the brake pedal and dashboard switches.



### STAGE 51 – REQUIRED PARTS

Code	Name	Quantity	Material
51A	Control circuit board	1	PCB
51B	Small cable clip	4	ABS
51C	Large cable clip	1	ABS
CM	Screws 2 x 4mm	4 + 2*	Iron
MP	Screws 2.3 x 4mm	4 + 2*	Iron
OM	Screws 2.3 x 5mm	1 + 1*	Iron

\* Replacement screws included



### 01 FITTING THE CONTROL CIRCUIT BOARD

Turn the model onto its side – see important note opposite. Fit the control circuit board **51A** over the four screw posts on the rear underside of the floor pan **36A**, with the largest 4-pin socket towards the front of the car. Fix it in place with four **MP** screws.

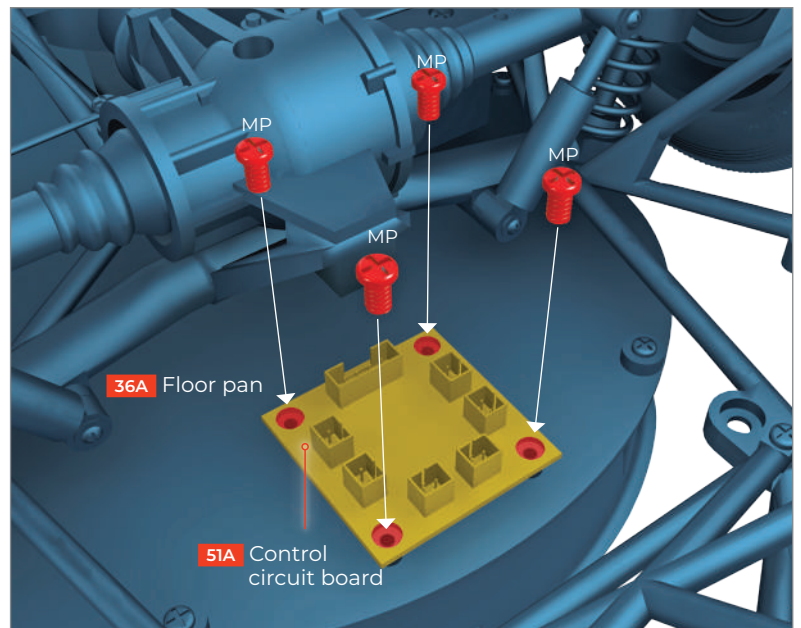
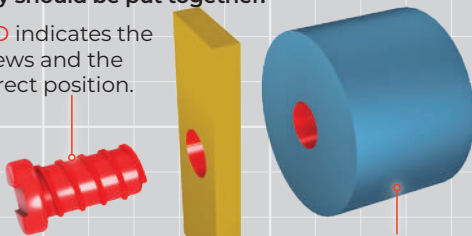
#### COLOR CODING

The color coding of the parts shows how they should be put together.

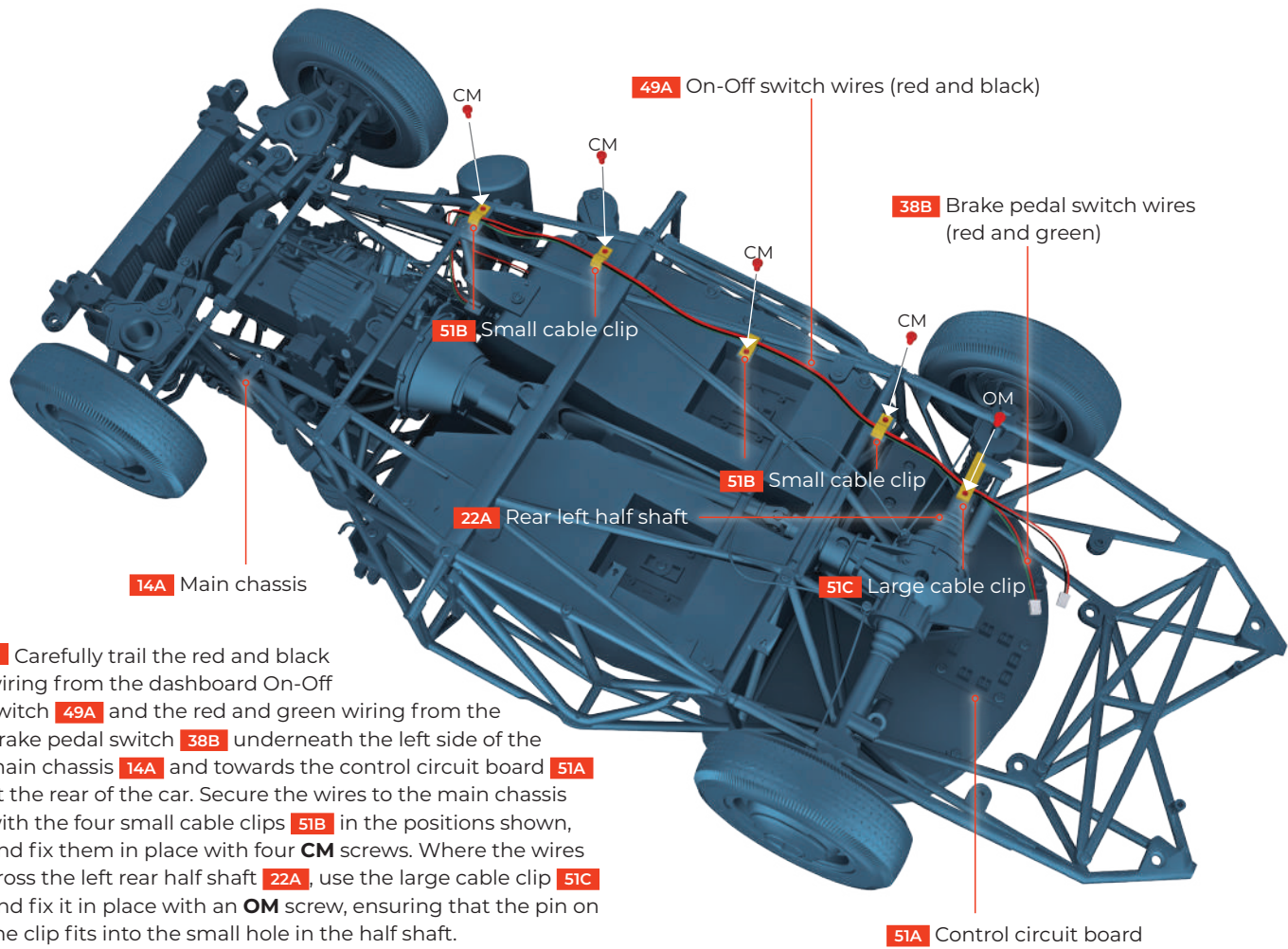
**RED** indicates the screws and the correct position.

**YELLOW** indicates new parts.

**GRAY-BLUE** indicates the modules on which the new parts should be assembled.



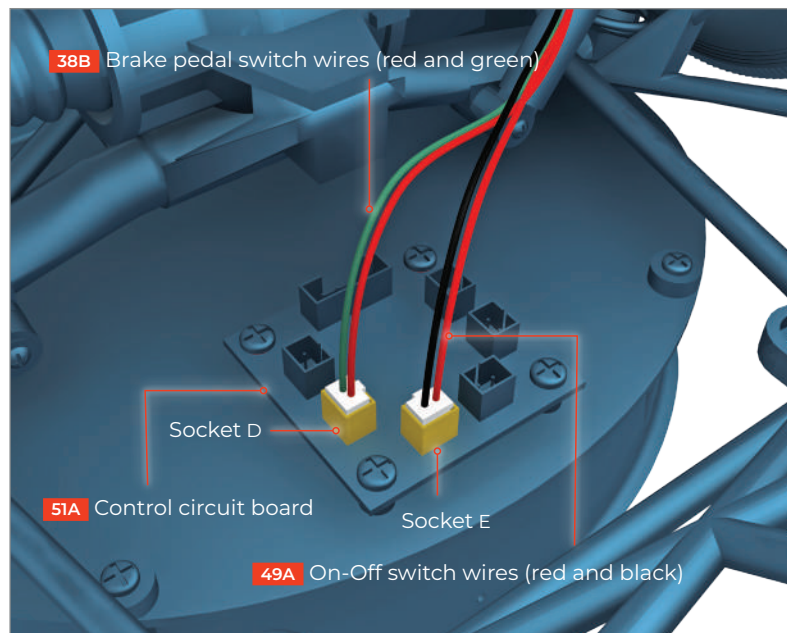
## 02 INSERTING THE CABLE CLIPS



Carefully trail the red and black wiring from the dashboard On-Off switch **49A** and the red and green wiring from the brake pedal switch **38B** underneath the left side of the main chassis **14A** and towards the control circuit board **51A** at the rear of the car. Secure the wires to the main chassis with the four small cable clips **51B** in the positions shown, and fix them in place with four **CM** screws. Where the wires cross the left rear half shaft **22A**, use the large cable clip **51C** and fix it in place with an **OM** screw, ensuring that the pin on the clip fits into the small hole in the half shaft.

## 03 CONNECTING THE WIRES

Plug the red and black wires from the dashboard On-Off switch **49A** into socket E on the control circuit board **51A**. Plug the red and green wires from the brake pedal switch **38B** into socket D.



**IMPORTANT**  
Take great care not to damage the rear-view mirror and steering wheel while working on the underside of the model.

## STAGE 52: THE ROOF

With this stage you receive the roof of the car.  
Please store this safely until you fit the windows  
in the next stages.



### STAGE 52 - REQUIRED PARTS

Code	Name	Quantity	Material
52A	Roof	1	Zinc



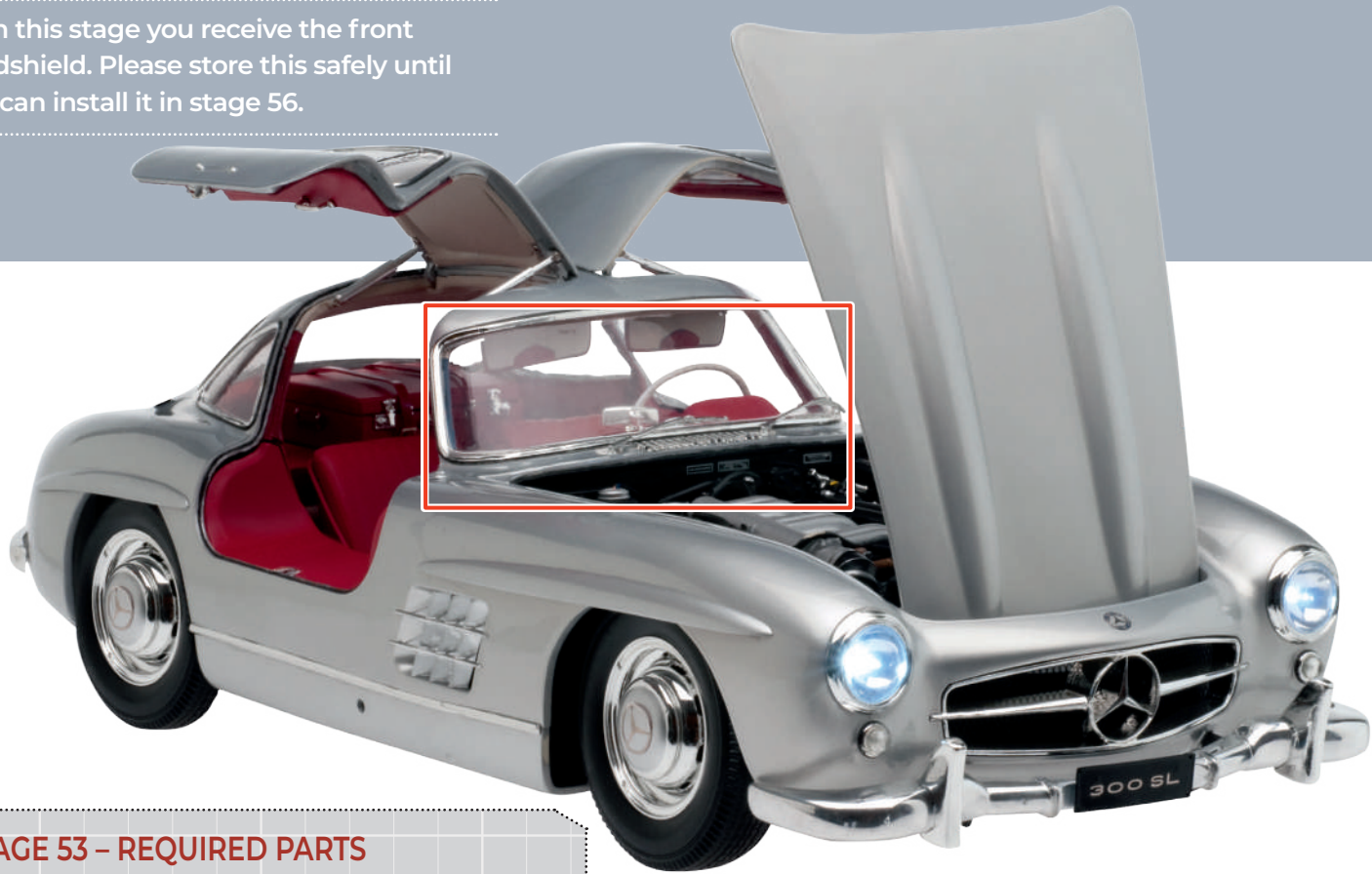
In stages 53–55 you receive and fit the front windshield, the rear window and the left and right quarter glasses.





## ■ STAGE 53: THE FRONT WINDSHIELD

With this stage you receive the front windshield. Please store this safely until you can install it in stage 56.



### STAGE 53 – REQUIRED PARTS

Code	Name	Quantity	Material
53A	Front windshield	1	SAN



In stage 56 you will receive the main body shell, so you will be able to fit the roof and windows to it, and install the gullwing door.

