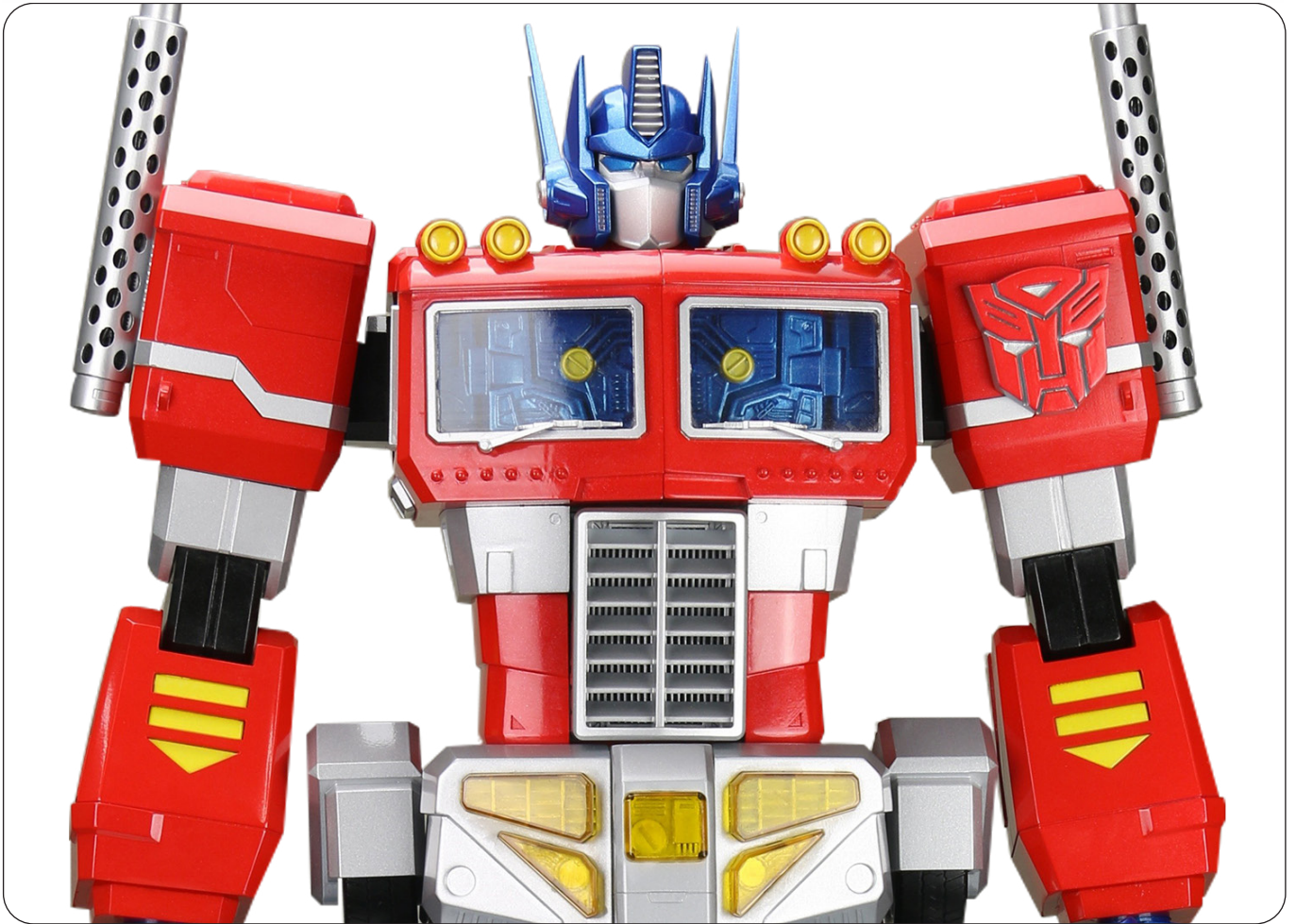


OPTIMUS PRIME



Pack 08

BUILD INSTRUCTIONS

ASSEMBLING THE LOWER LEFT LEG - PART 1 - 8

AGORA
MODELS®

Advice from the experts

 **Please keep ALL unused screws as they may be required in a later stage.**

Please make sure you don't mix up the screws. They look quite similar, but the threads do vary slightly. Using the wrong screws may damage the parts.

When securing parts together using multiple screws, fit each screw loosely to ensure all the parts are correctly aligned before gently tightening them firmly, but not overtight, in the order in which you placed them.

The screwdriver can be magnetized by stroking it with a magnet (fridge magnet, etc.) enabling it to hold the screws and make assembly easier.

If a screw is tight going into a metal part, do not force it as you may shear the head off. Remove it and put a tiny smear of Vaseline, soap or light oil on the thread. That will lubricate it and make it easier to drive home.

Some parts will require a little glue for assembly. Please apply glue sparingly and use a cocktail stick so that you don't use too much nor apply the glue too heavily. We recommend superglue gel or Extra Thin Liquid modeling glue. Where possible, parts should be test-fitted in place before gluing.



Look out for the glue symbol and apply glue to the red area indicated in the picture.

During the course of this build, you will receive many pieces that you will assemble immediately – following the instructions in the corresponding stage – and other pieces that you should store in the tray supplied, for use in future assembly stages.

Always protect the paint finish on components by placing a cutting mat, sheet of white paper or soft cloth on your work surface.

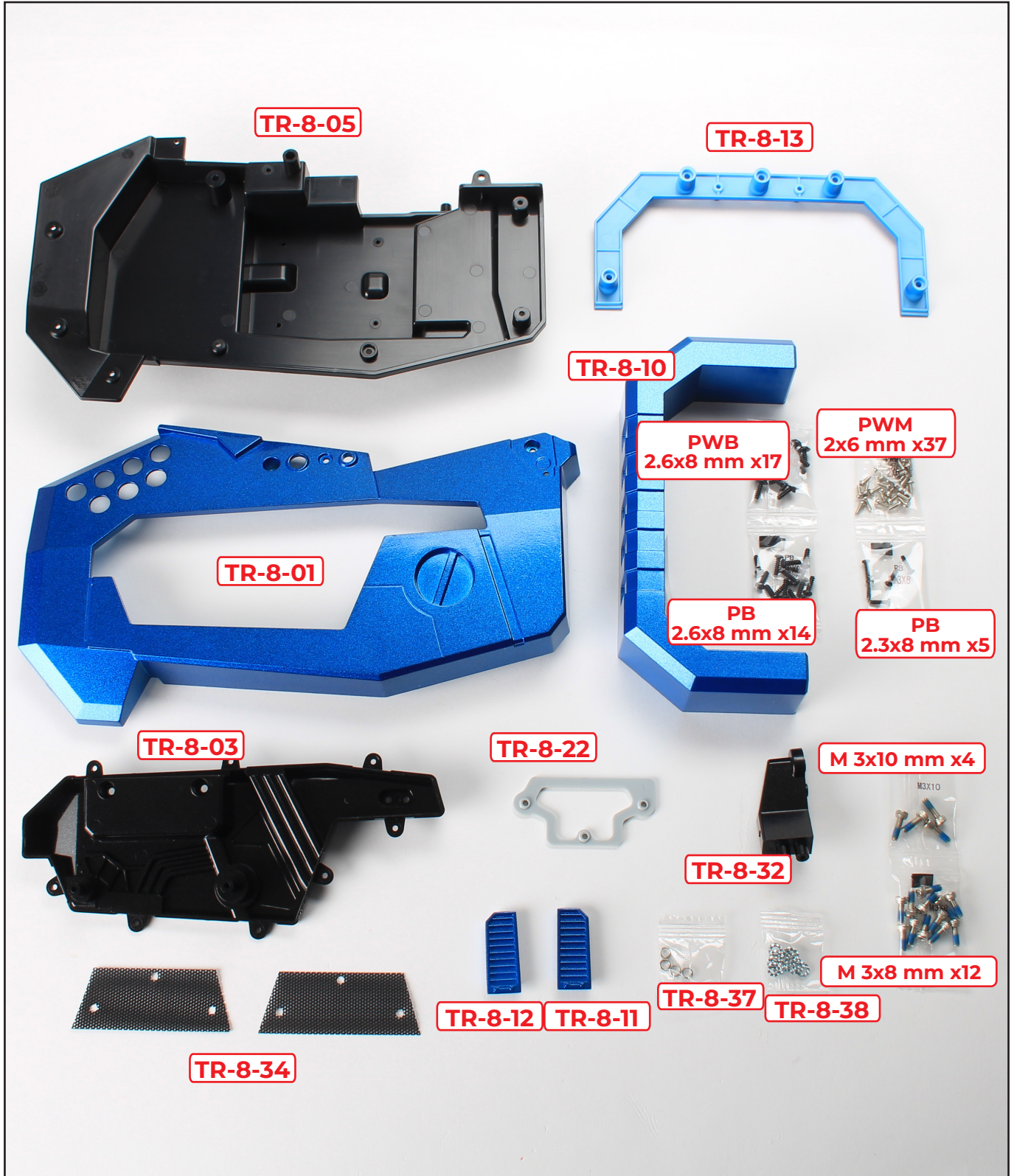
Left and Right! When building your Optimus Prime, the left or right hand side refers to each side as viewed by Optimus Prime. Optimus Prime's left arm is on the viewer's right.



WARNING: Some parts are assembled using magnets. These magnets can cause serious injury if they are swallowed. Keep away from children. If you suspect a magnet has been swallowed, seek medical help straight away.

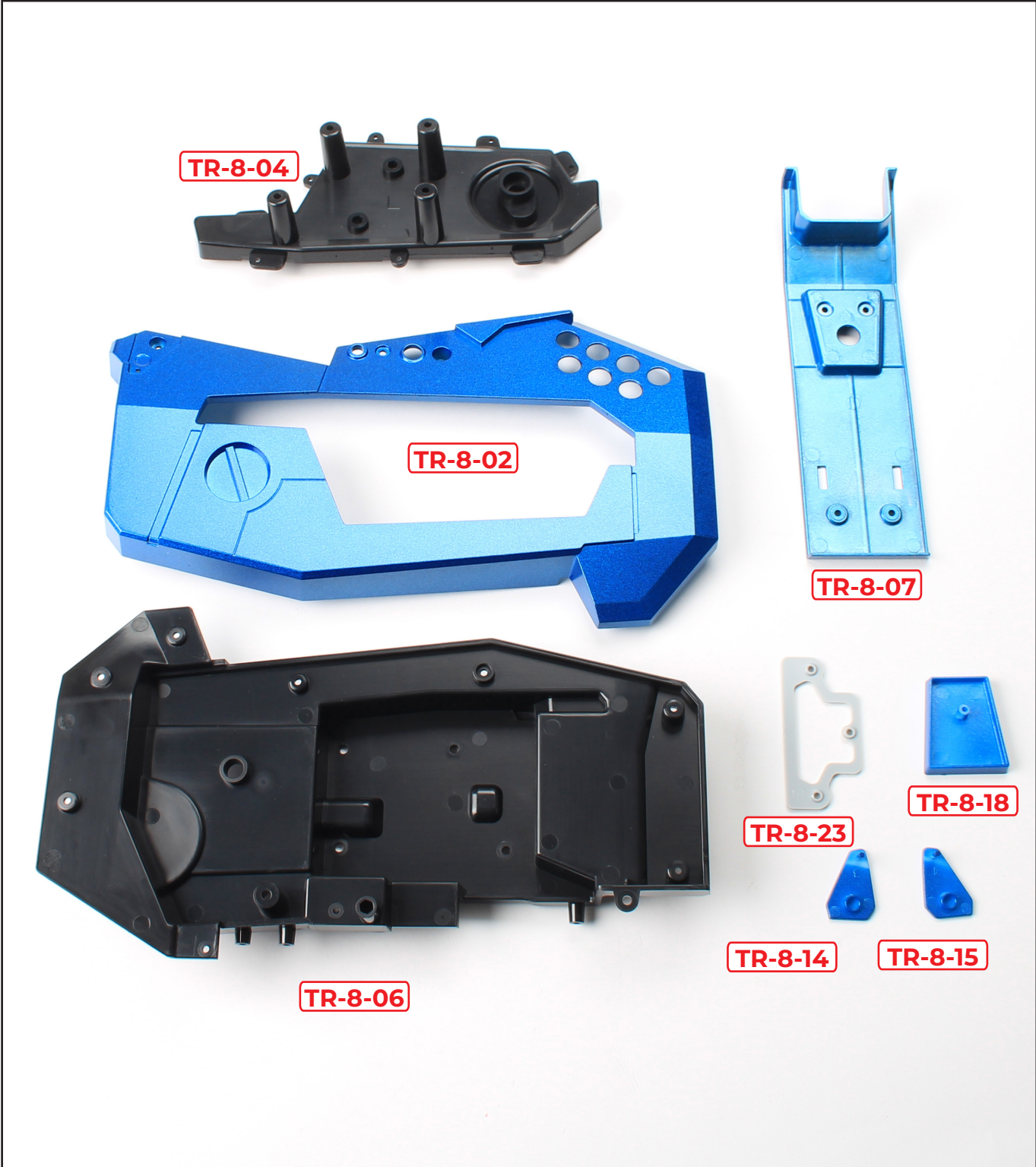
Pack 8 Parts

TRAY 1



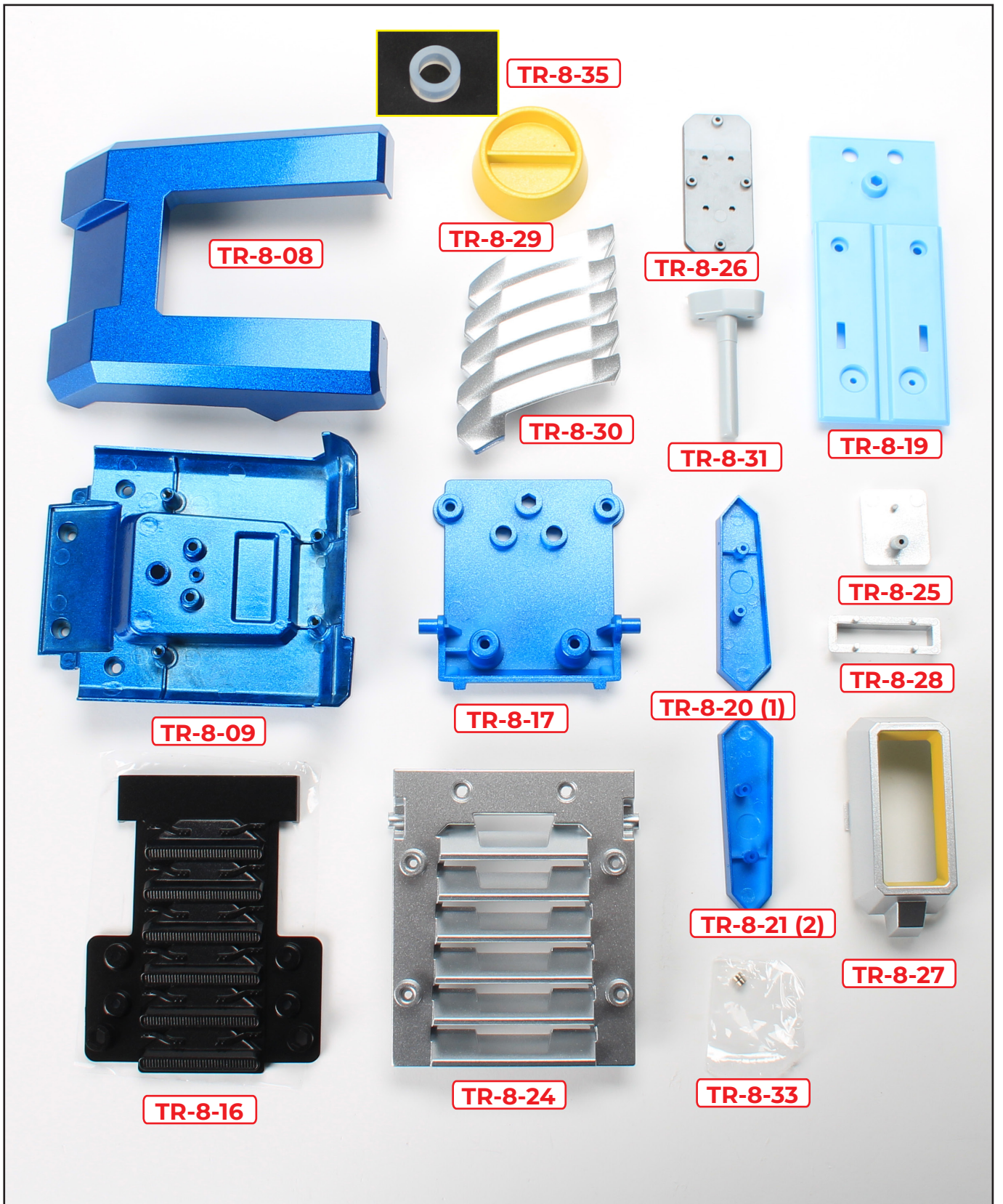
Pack 8 Parts

TRAY 2

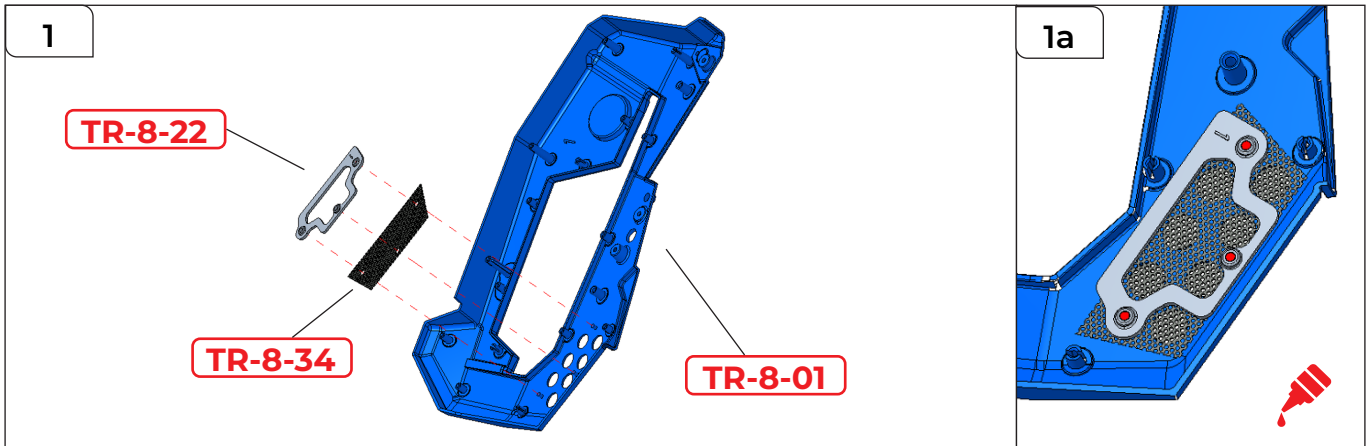


Pack 8 Parts

TRAY 3

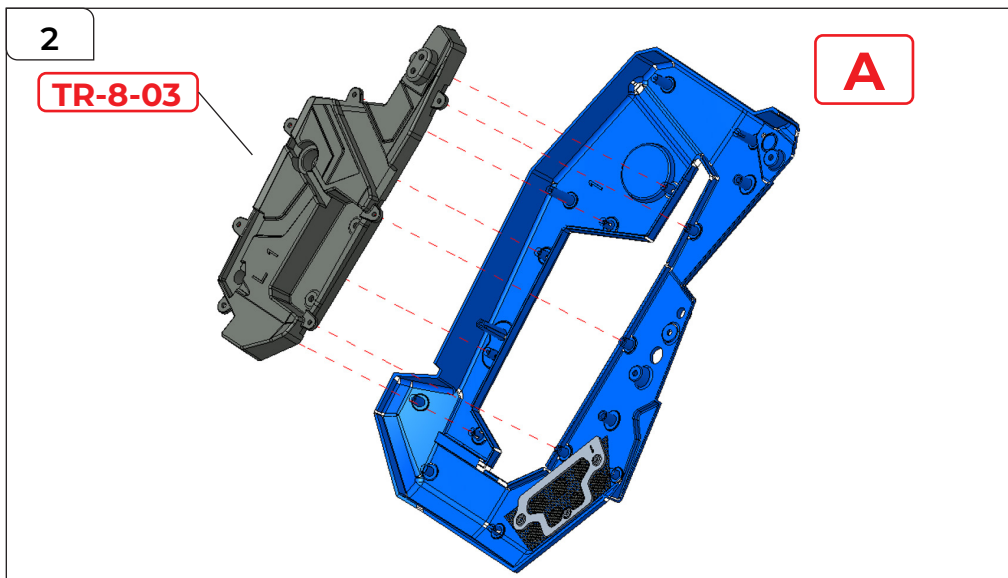


Assembling the Lower Left Leg



PART 1 – STEP 1

Take part TR-8-01 and then fit part TR-8-34, and part TR-8-22 over the top. Apply a little glue to TR-8-22 as shown in 1a, before moving on to step 2



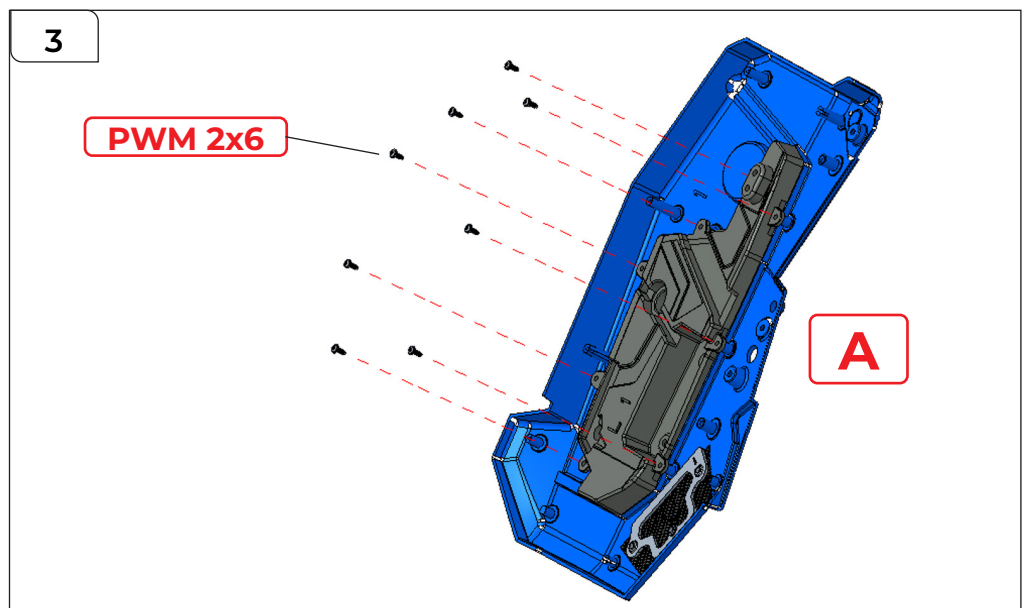
STEP 2

Attach part TR-8-03 to A.

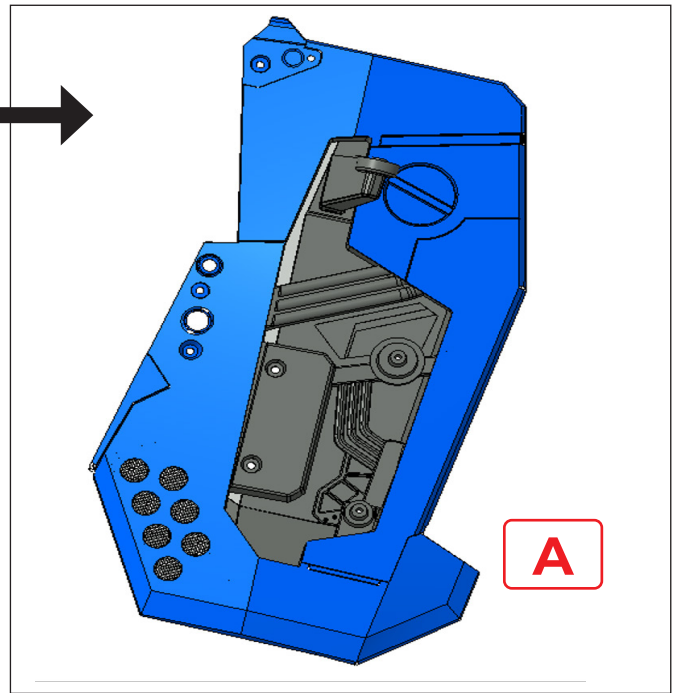
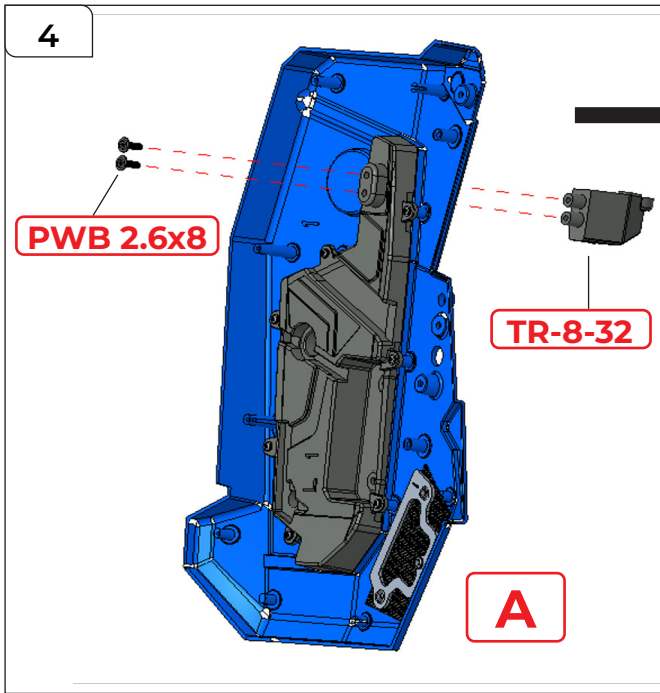
STEP 3

Secure parts together using 8x PWM 2x6 mm screws.

Note: throughout this pack, try adding a little oil to each screw before driving them in with your screwdriver. This will help to get a good fit.

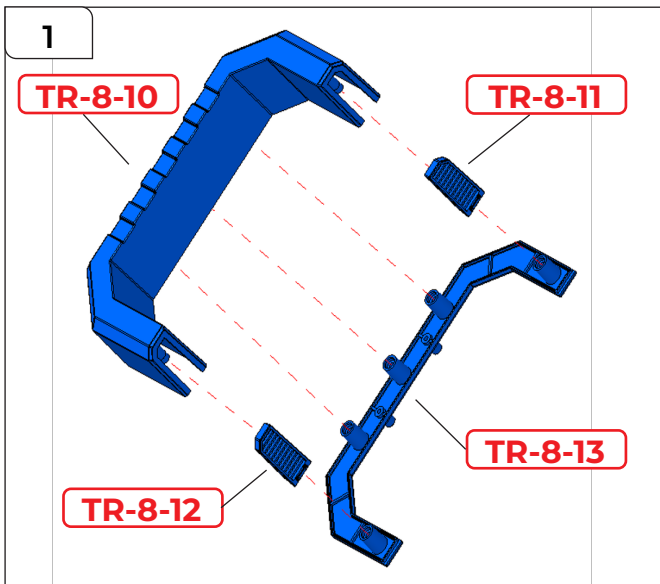


Assembling the Lower Left Leg



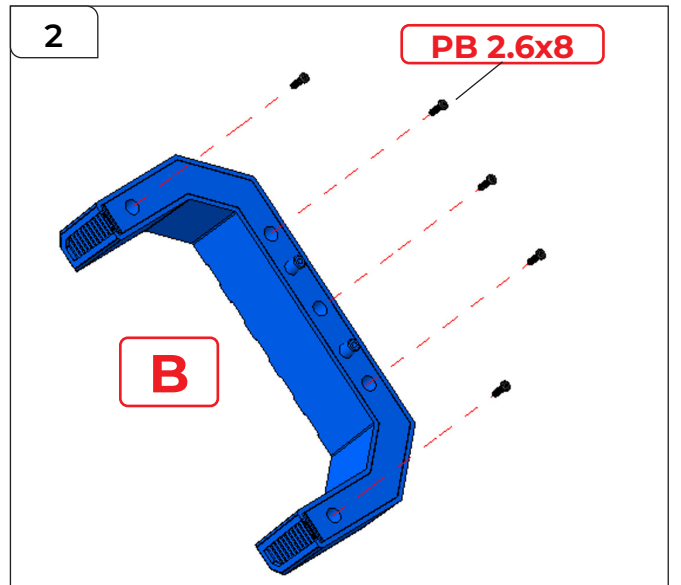
STEP 4

Attach TR-8-32 to A. Secure from the opposite side using 2x PWB 2.6x8 mm screws.



PART 2 – STEP 1

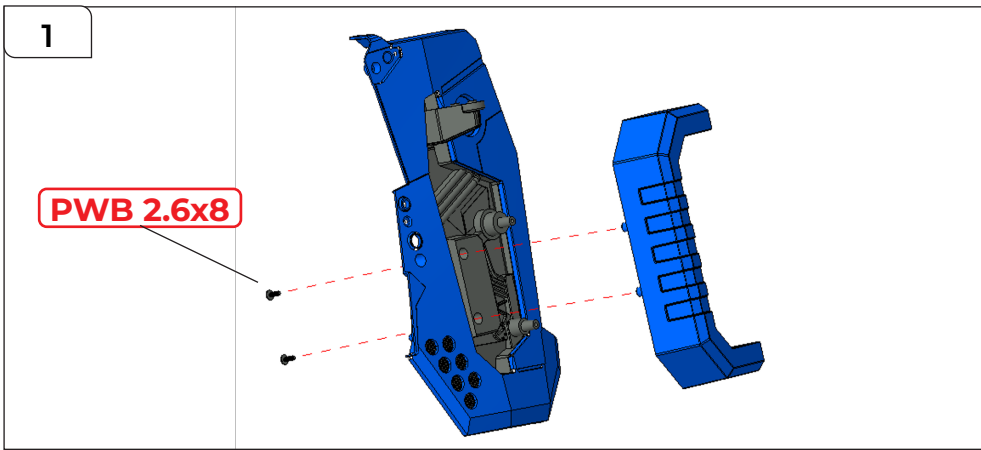
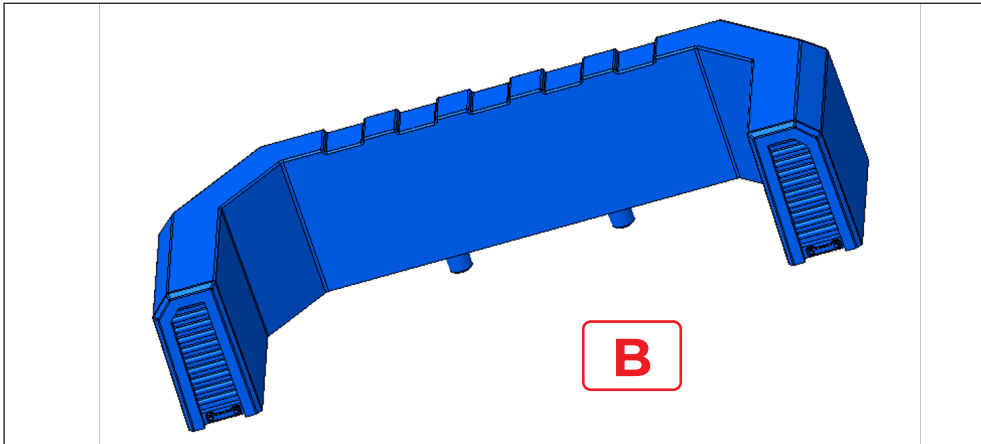
Attach TR-8-11 and TR-8-12 to TR-8-10. Then fit TR-8-13 in place.



STEP 2

Secure parts together using 5x PB 2.6x8 mm screws.

Assembling the Lower Left Leg

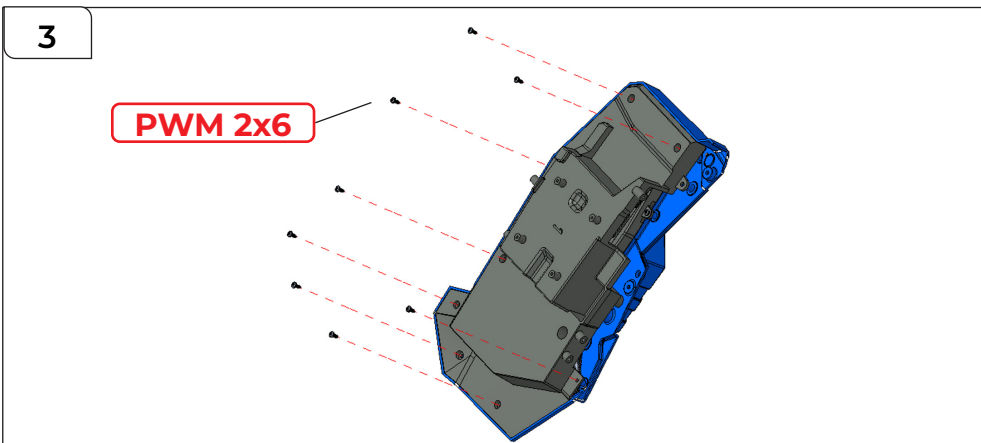
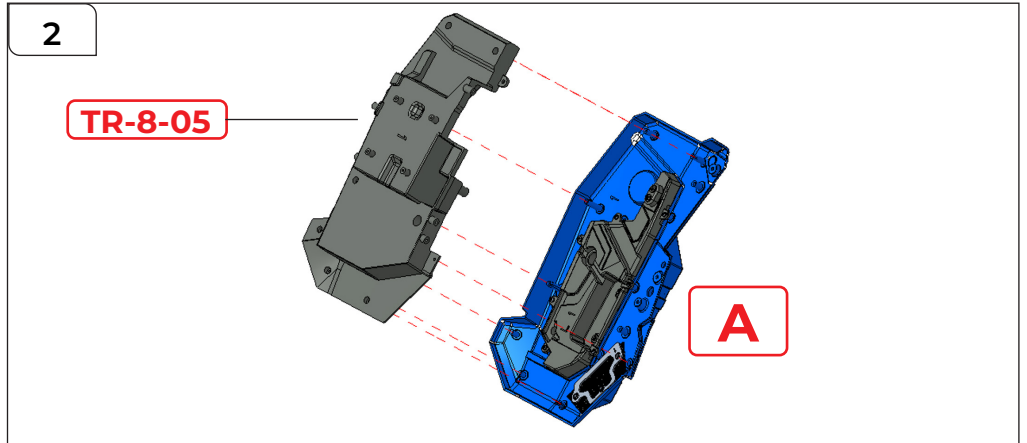


PART 3 – STEP 1

Fit assembly B to assembly A, securing them together using 2x PWB 2.6x8 mm screws.

STEP 2

Attach TR-8-05 to A.

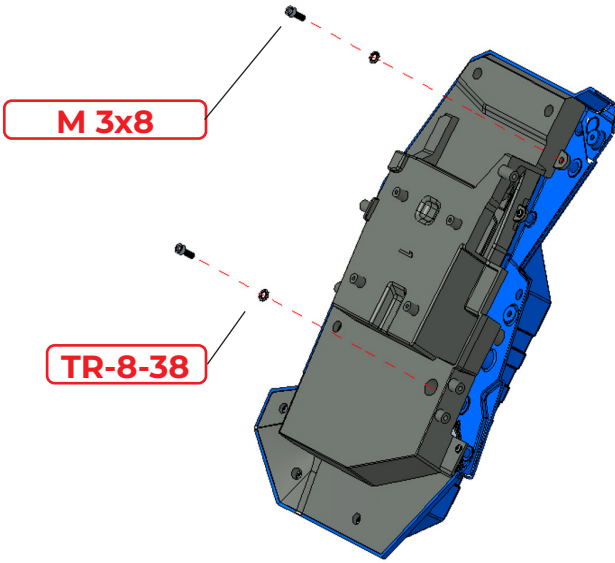


STEP 3

Secure in place using 8x PWM 2x6 mm screws.

Assembling the Lower Left Leg

4



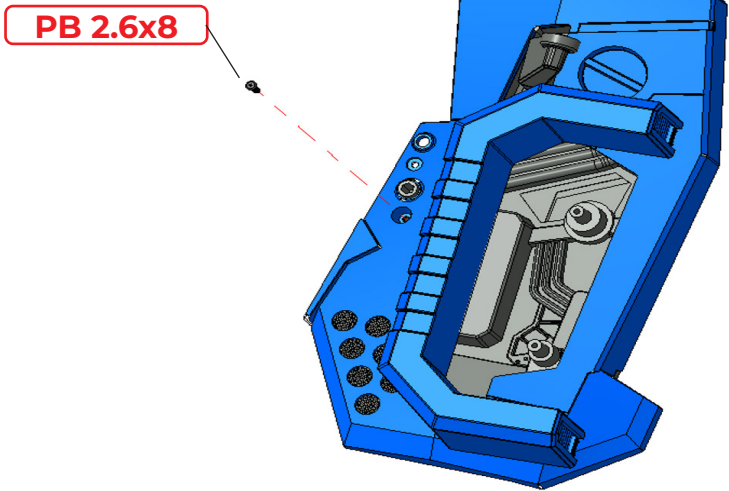
STEP 4

Continue to secure the assembly together by threading washers TR-8-38 onto 2x M 3x8 mm screws and drive them into the screw posts as shown.

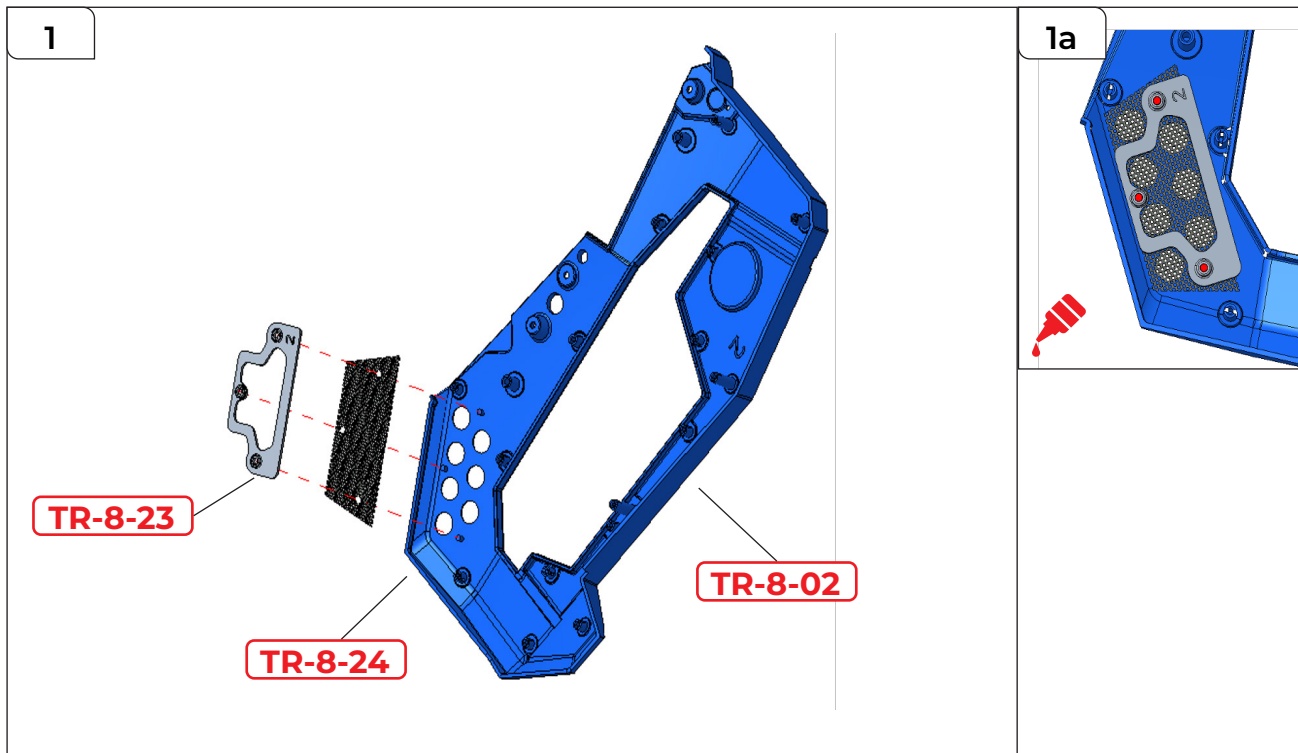
STEP 5

Turn the assembly over and drive 1x PB 2.6x8 mm screw into place as shown.

5

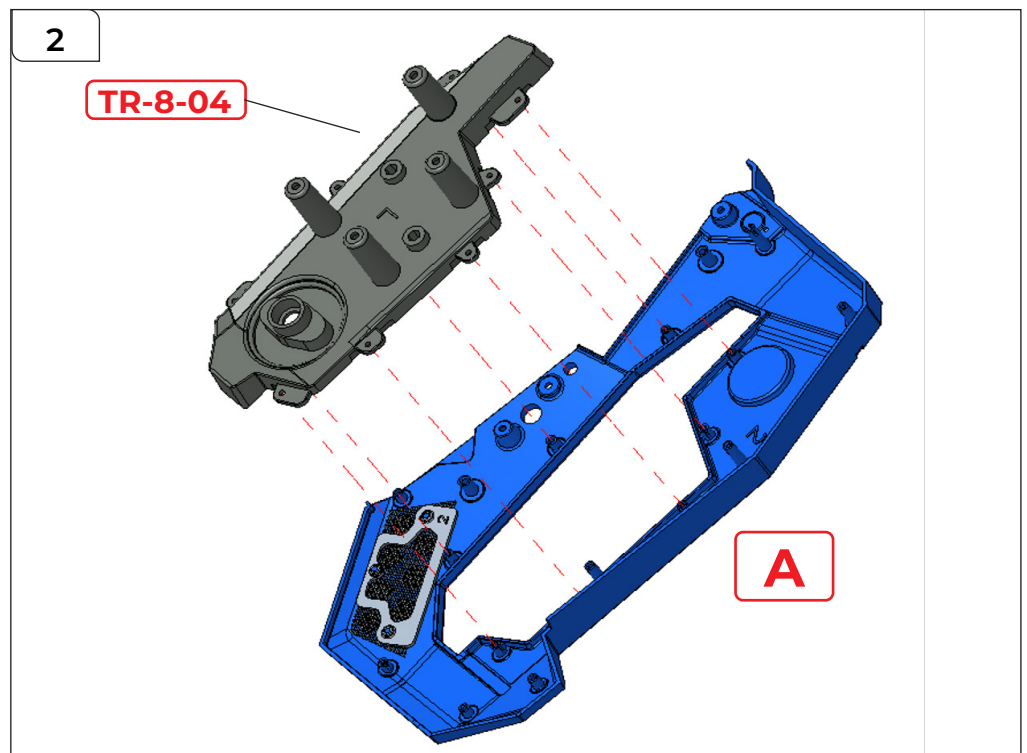


Assembling the Lower Left Leg



PART 4 – STEP 1

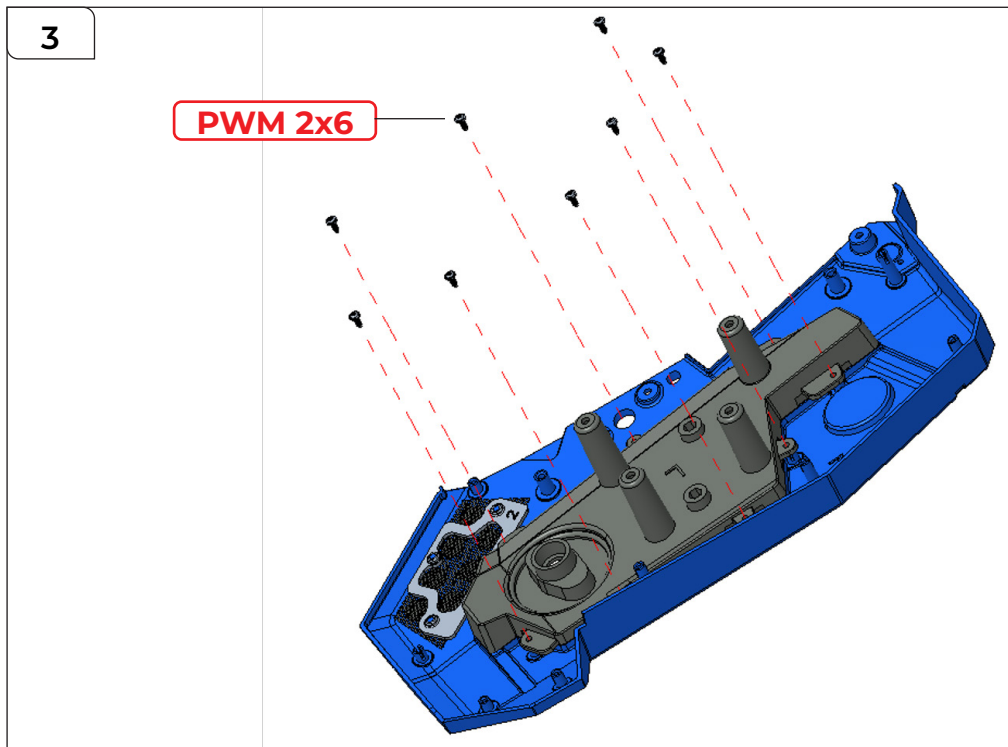
You will now repeat Steps 1-3 from Part 1. Take part TR-8-02. Attach TR-8-24 and then TR-8-23. Apply a little glue to TR-8-23 as shown in 1a.



STEP 2

Attach TR-8-04 to A.

Assembling the Lower Left Leg

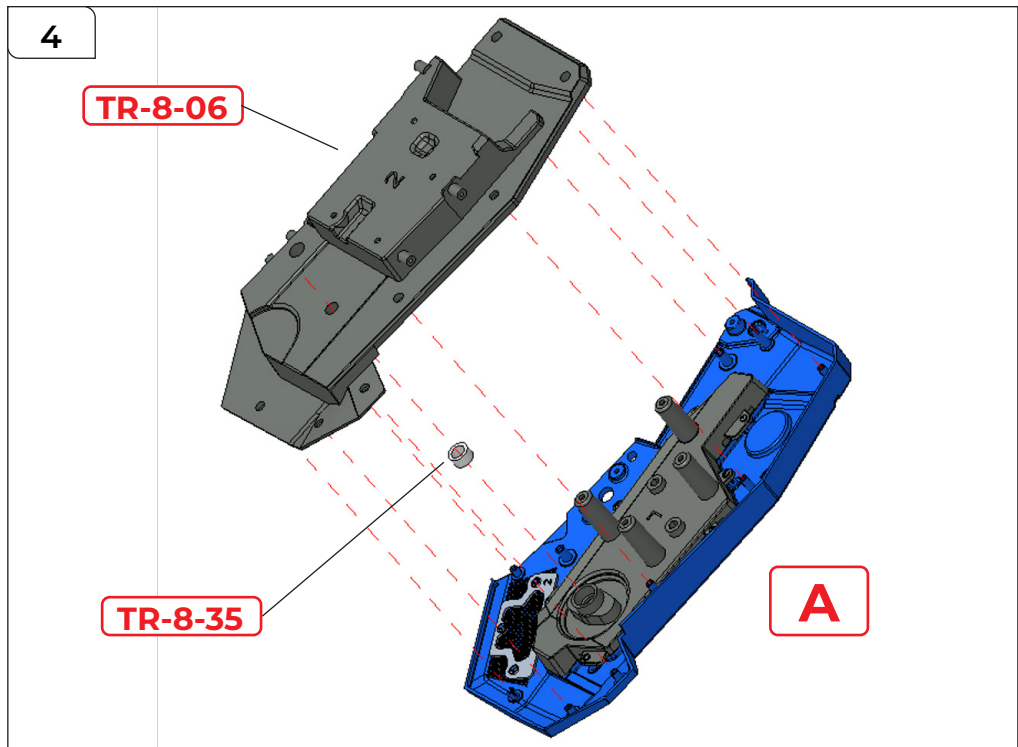


STEP 3

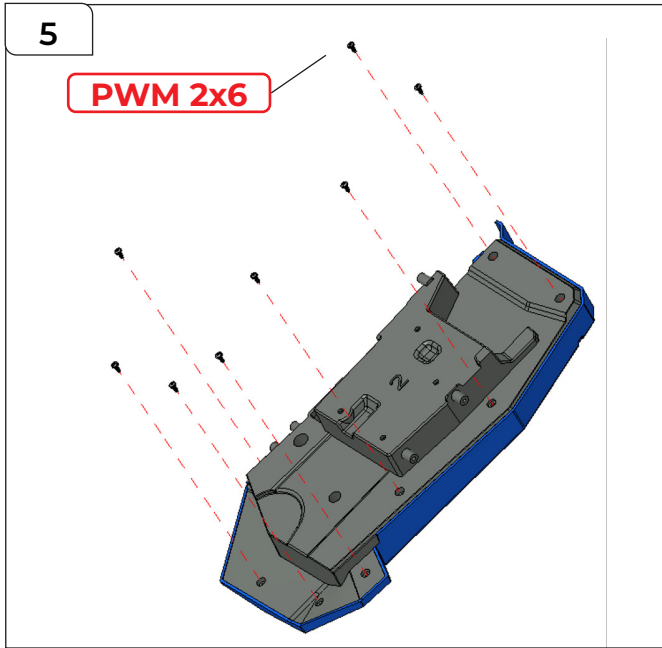
Secure parts together using 8x PWM 2 x 6 mm screws.

STEP 4

Attach TR-8-35 to A, then attach TR-8-06 over the top.

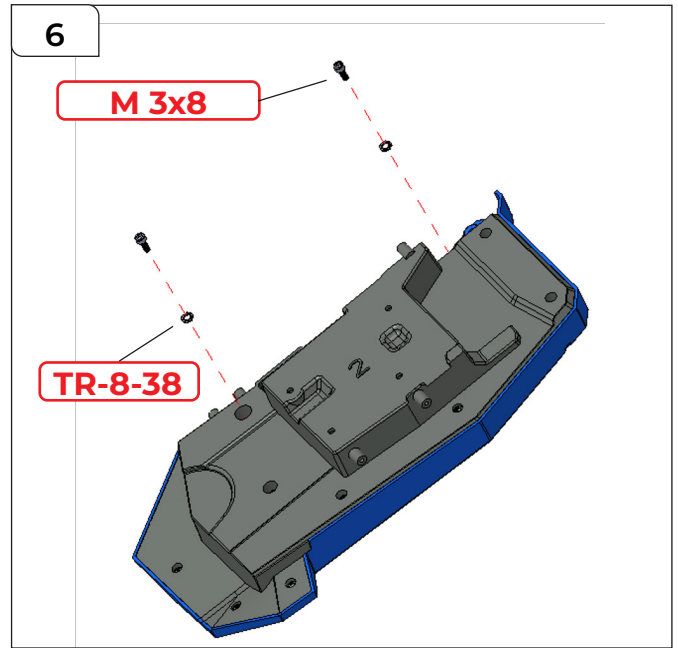


Assembling the Lower Left Leg



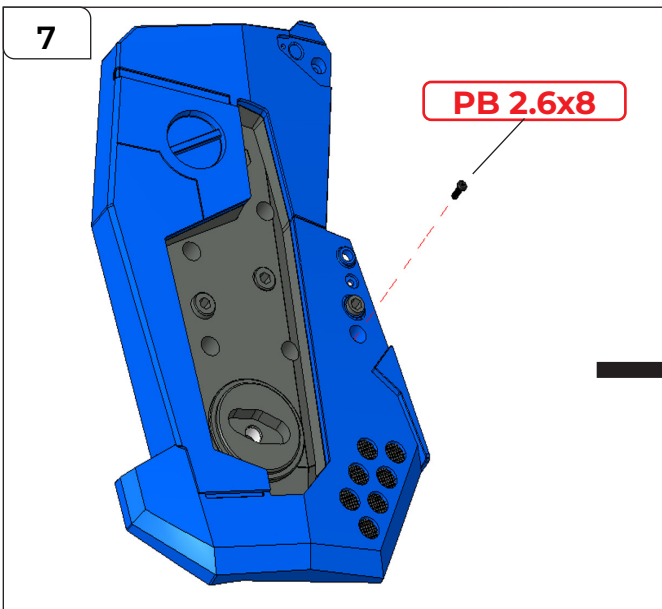
STEP 5

Secure parts together using 8x PWM 2x6 mm screws.



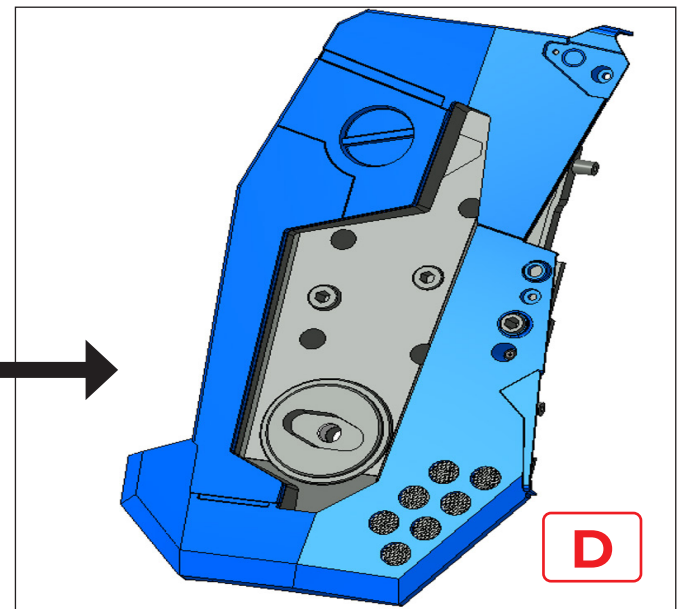
STEP 6

Thread 2x TR-8-38 washers onto 2 x M 3x8 mm screws before screwing them into place as shown.



STEP 7

Turn the assembly over and use 1 x PB 2.6x8 mm screw to secure the assembly together.

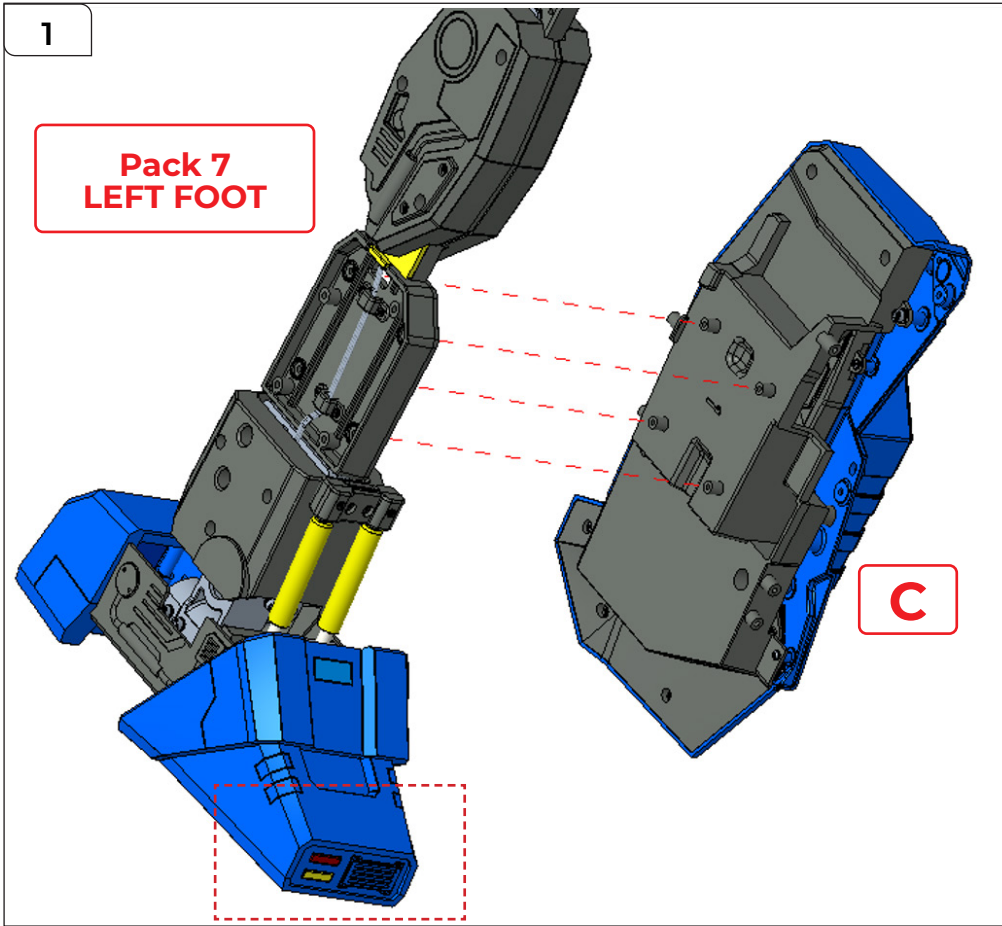


Assembling the Lower Left Leg

PART 5 – STEP 1

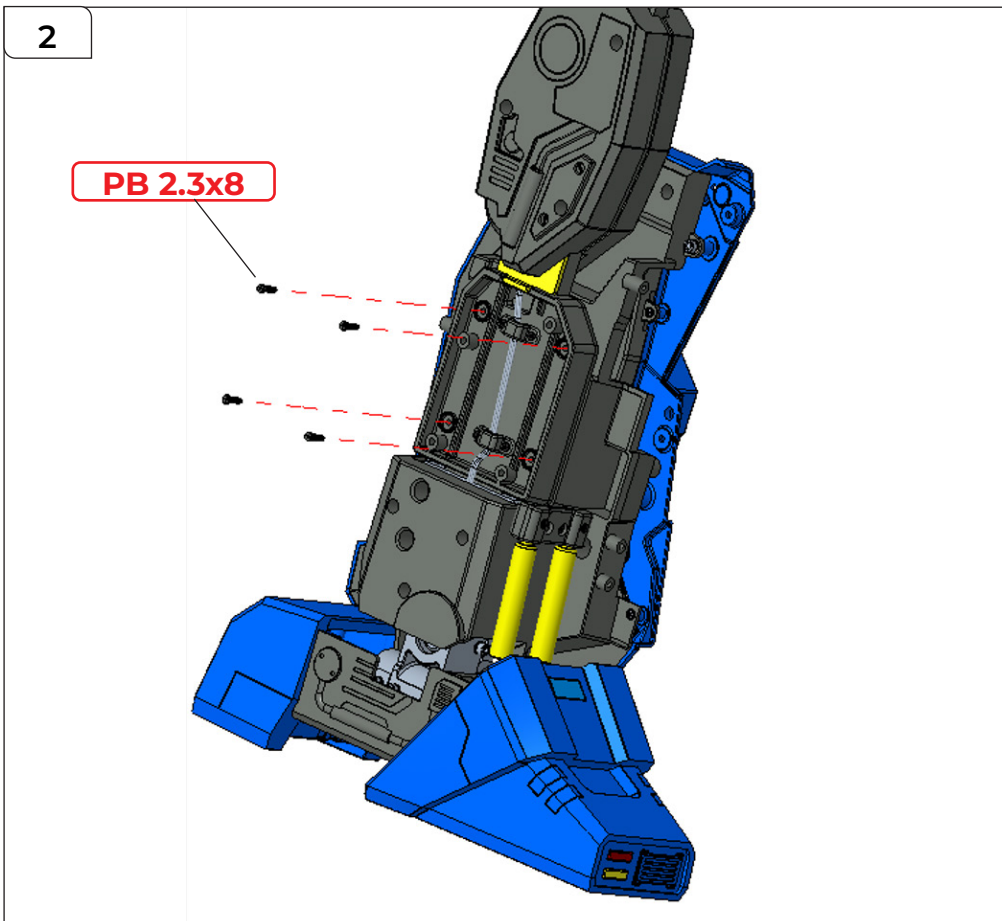
Take the left foot from Pack 7. You can check you have the correct foot by looking at the position of the lights - indicated by the dotted line.

Attach Assembly C to the left foot as shown, lining up the four raised screw posts.

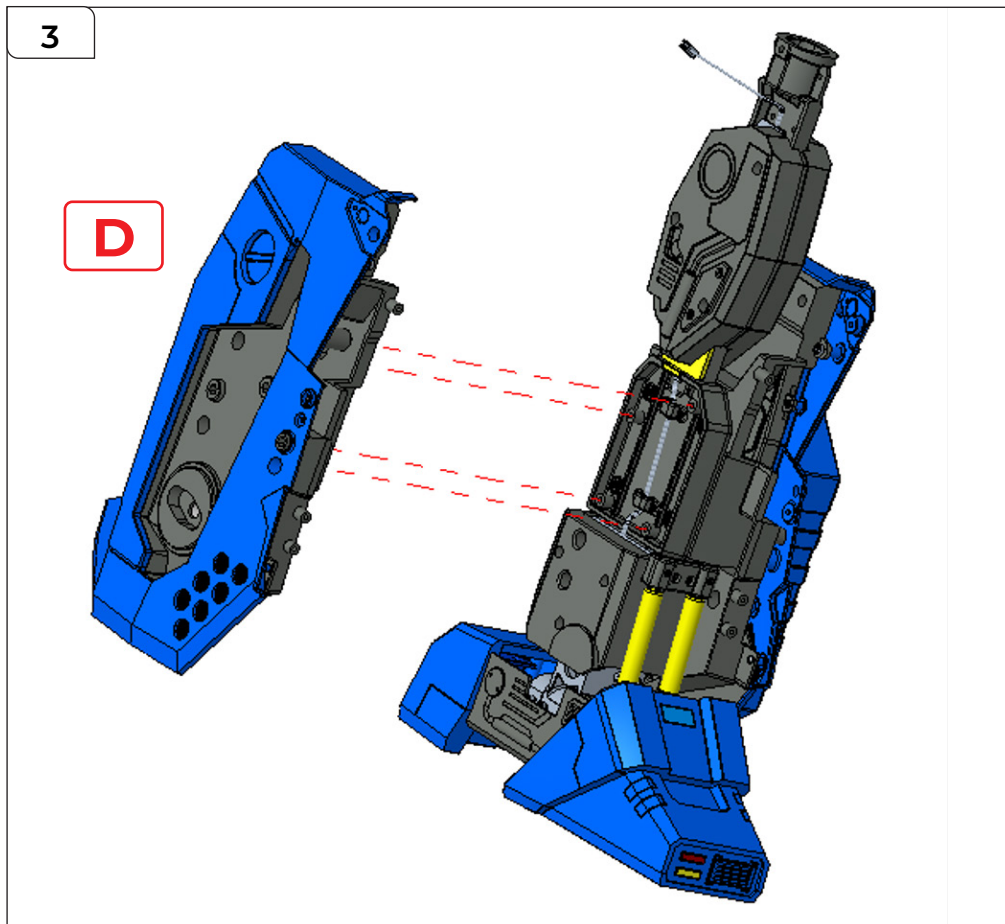


STEP 2

Secure in place using 4x PB 2.3x8 mm screws.

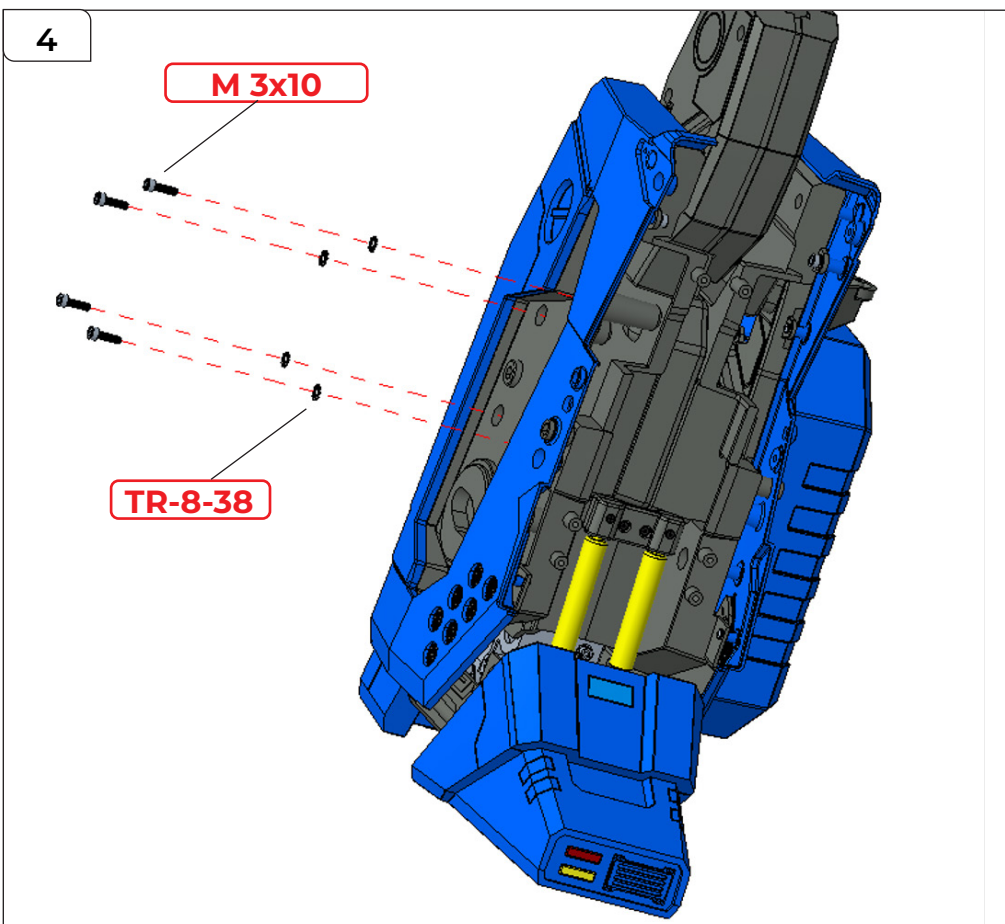


Assembling the Lower Left Leg



STEP 3

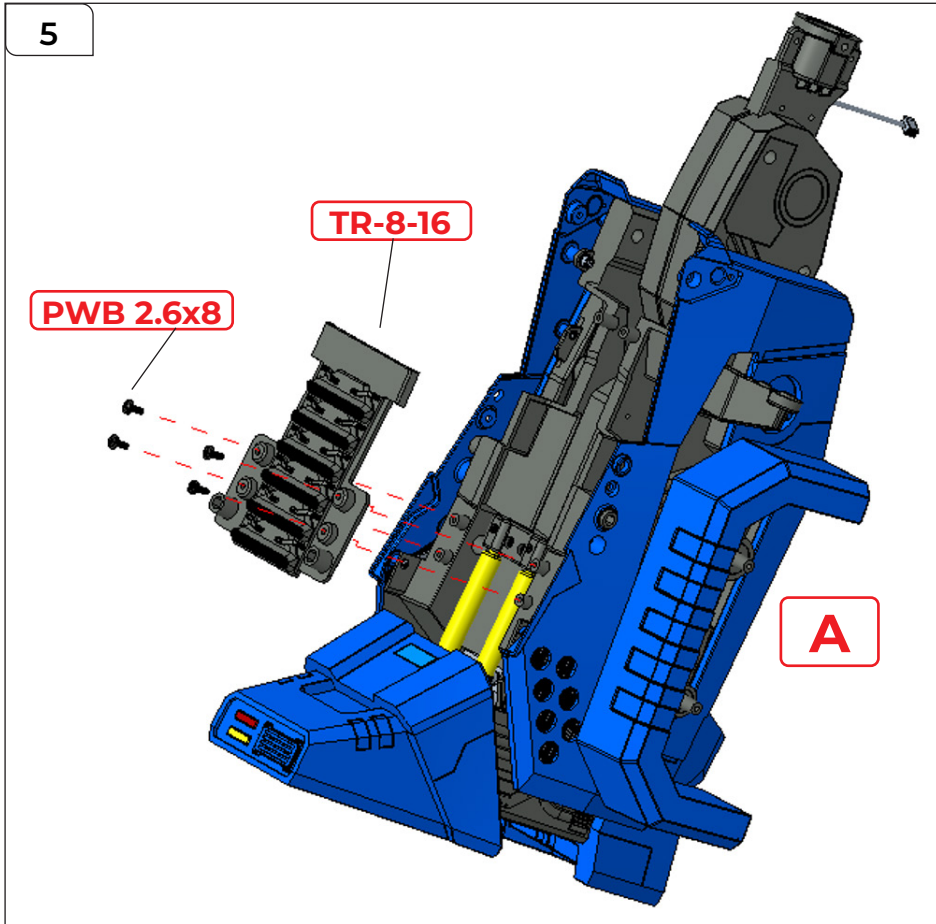
Attach Assembly D to the opposite side of the left foot.



STEP 4

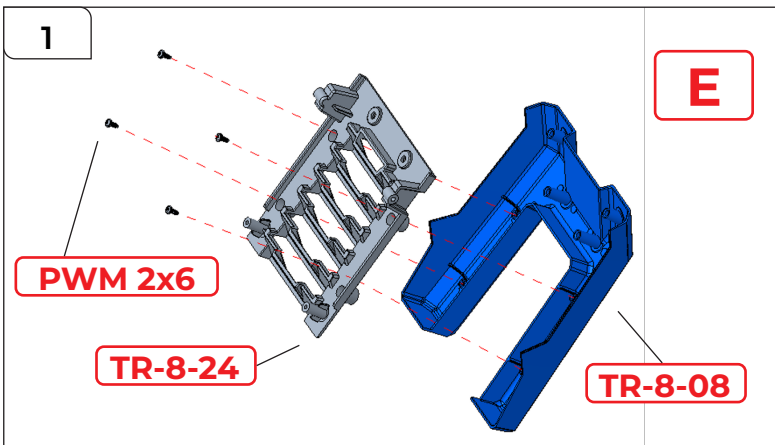
Secure in place using 4x TR-8-38 washers and 4x M 3x10 mm screws.

Assembling the Lower Left Leg



STEP 5

Attach TR-8-16 to A and secure it using 4x PWB 2.6x8 mm screws.

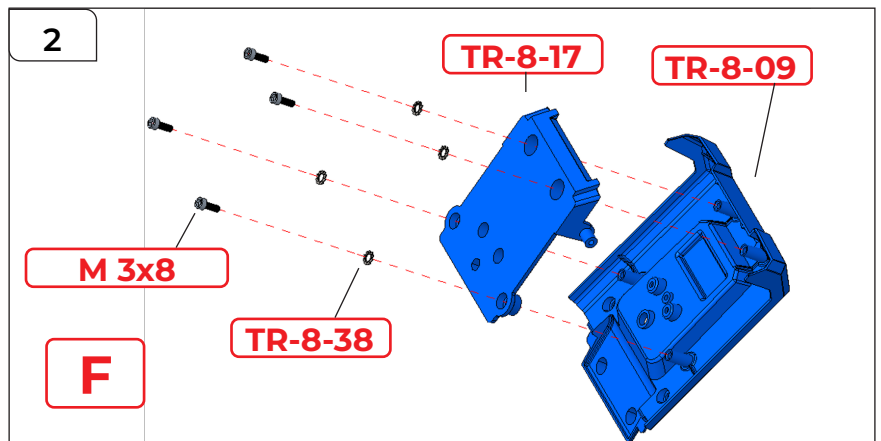


PART 6 – STEP 1

Attach TR-8-24 to TR-8-08 and secure them together using 4x PWM 2x6 mm screws.

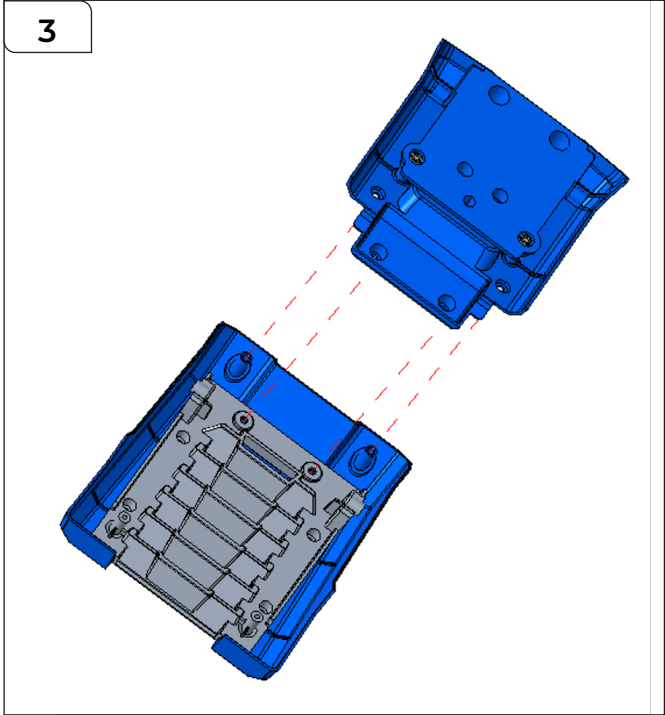
STEP 2

Attach TR-8-17 to TR-8-09 and secure them together using 4x TR-8-38 washers and 4x M 3x8 mm screws.



Assembling the Lower Left Leg

3



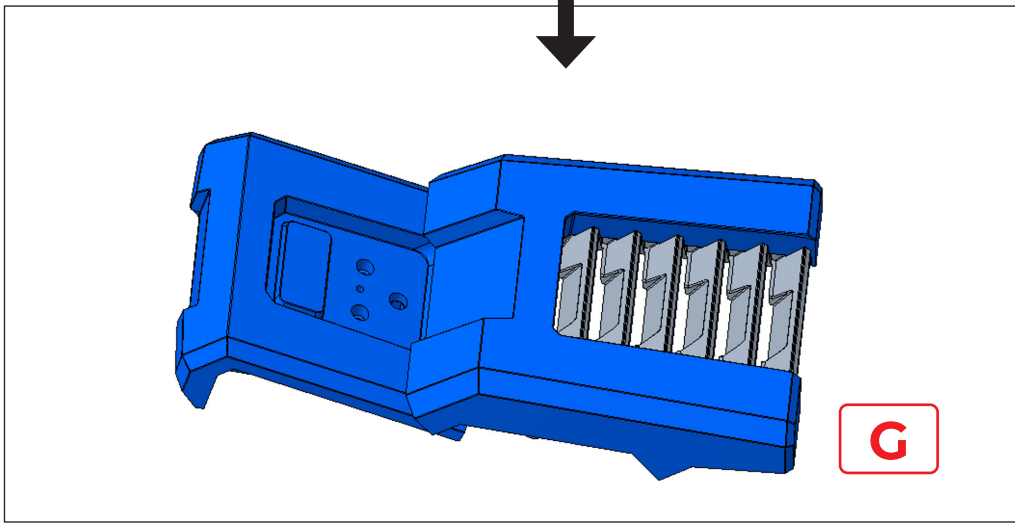
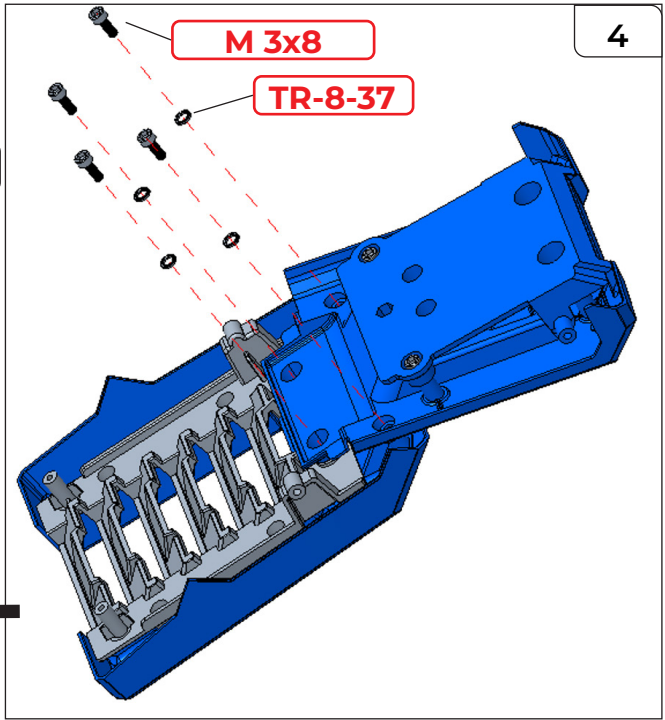
STEP 3

Attach E to F, lining up the fixing points as shown.

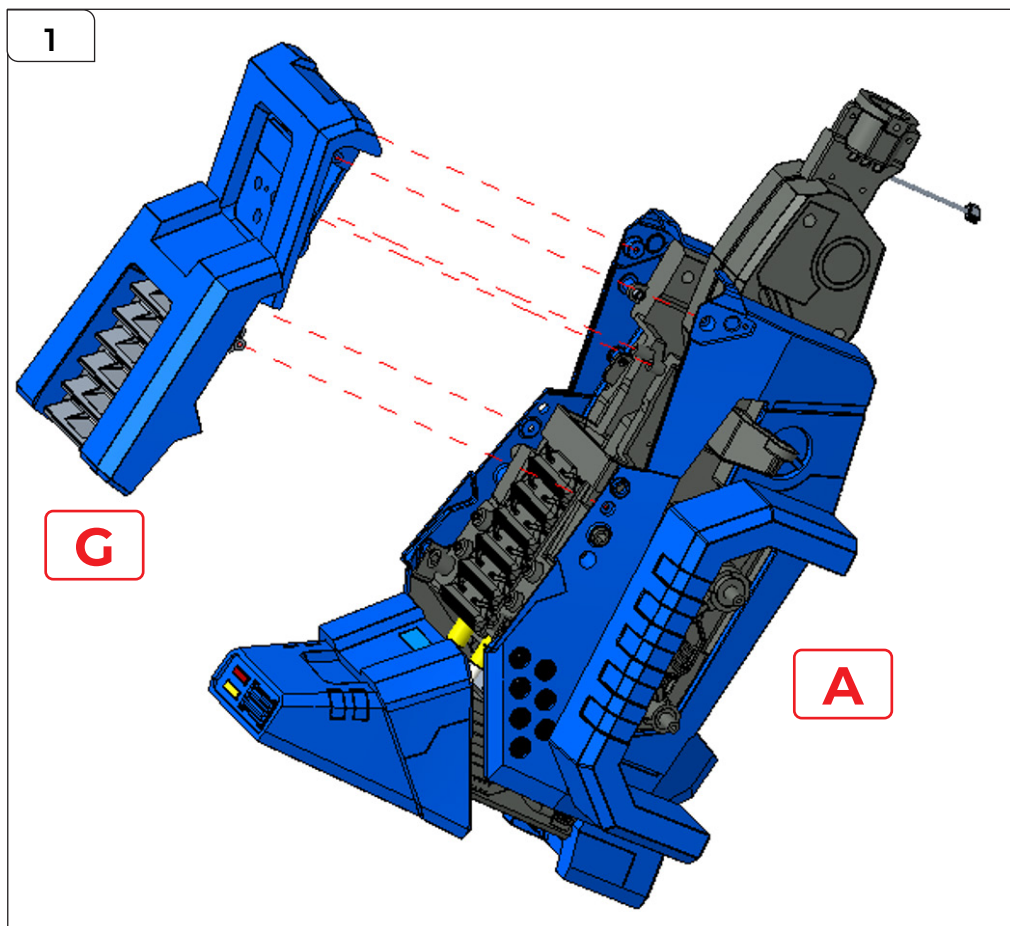
STEP 4

Secure them together using 4x TR-8-37 washers and 4x M 3x8 mm screws.

4

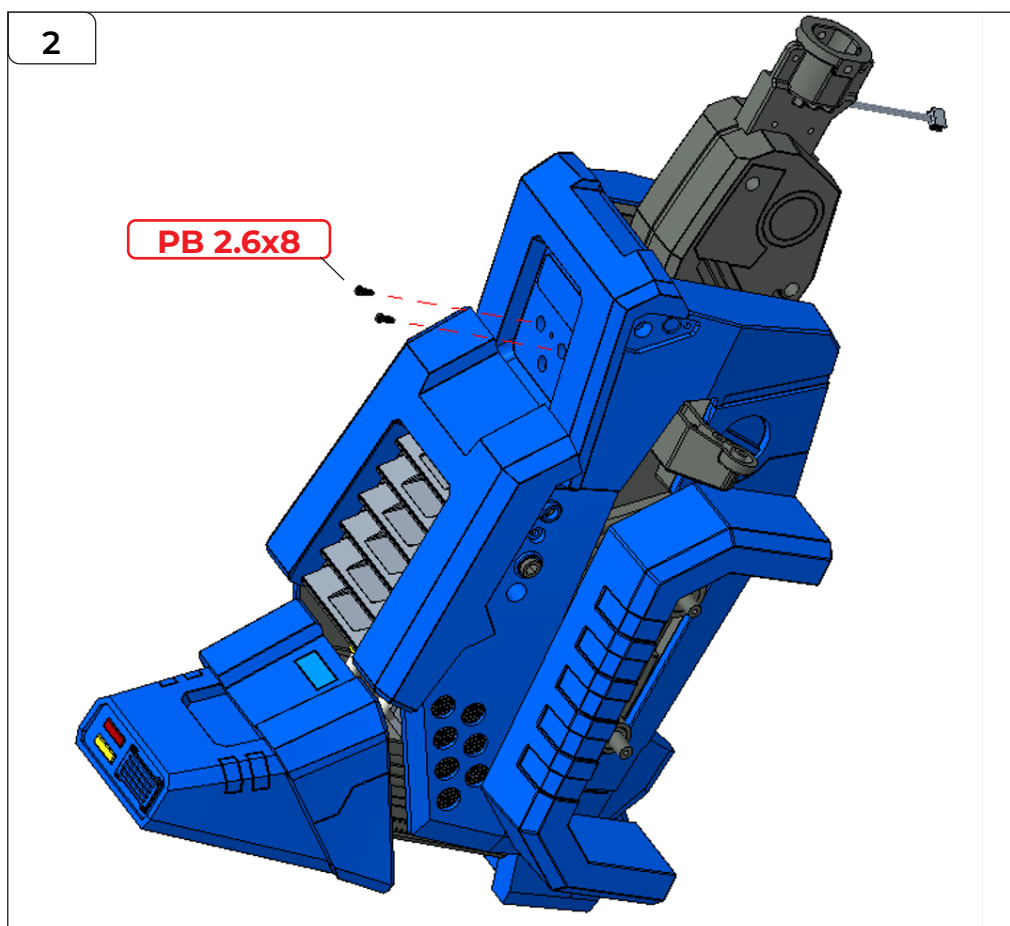


Assembling the Lower Left Leg



PART 7 – STEP 1

Attach G to A.



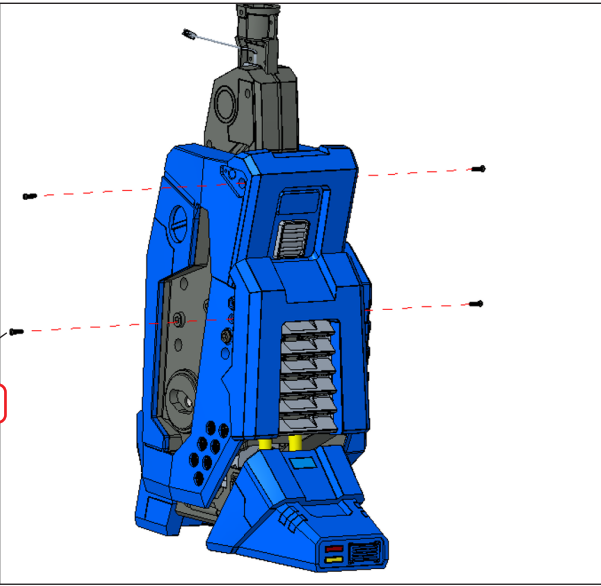
STEP 2

Secure them using 2x PB 2.6x8 mm screws.

Assembling the Lower Left Leg

3

PB 2.6x8



STEP 3

Continue to secure the leg parts together using another 4x PB 2.6x8 mm screws.

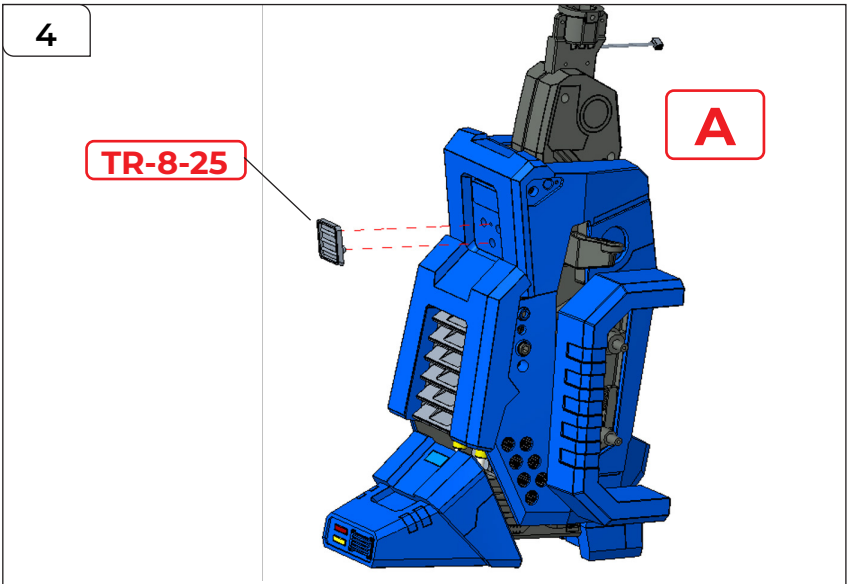
STEP 4

Press part TR-8-25 onto A.

4

TR-8-25

A

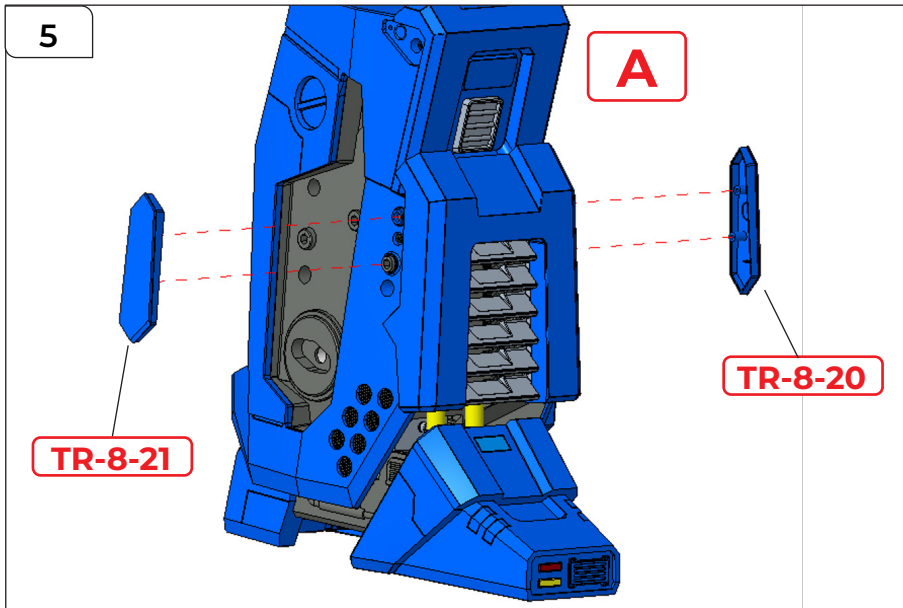


5

TR-8-21

A

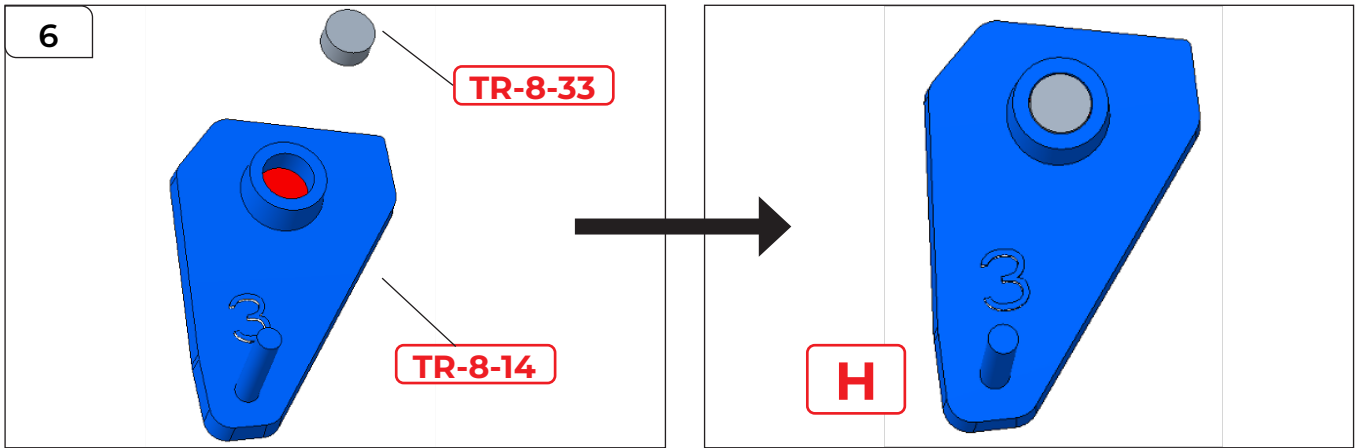
TR-8-20



STEP 5

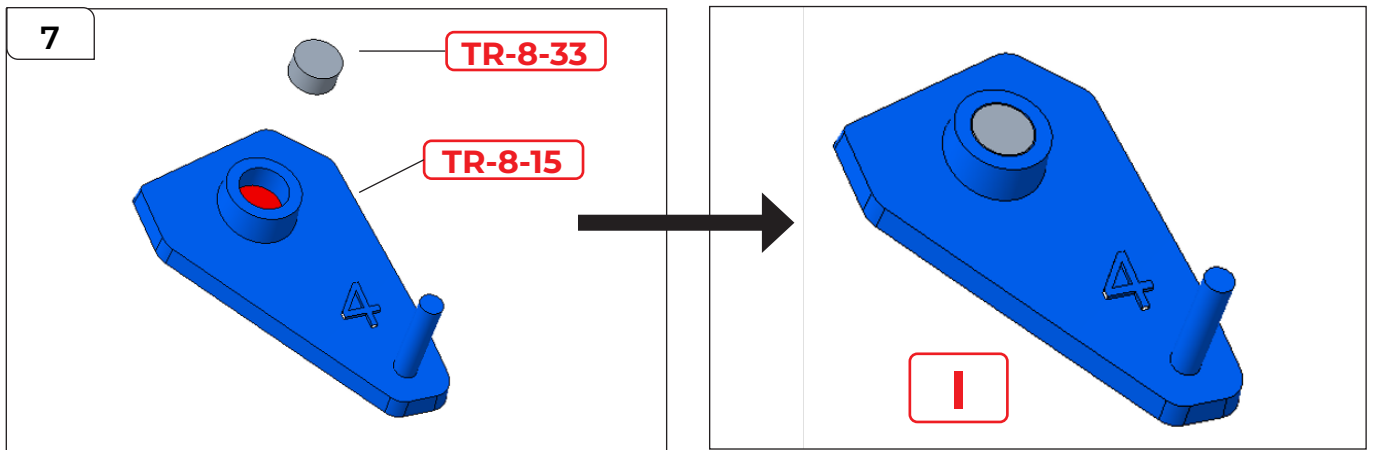
Press parts TR-8-20 and TR-8-21 onto A.

Assembling the Lower Left Leg



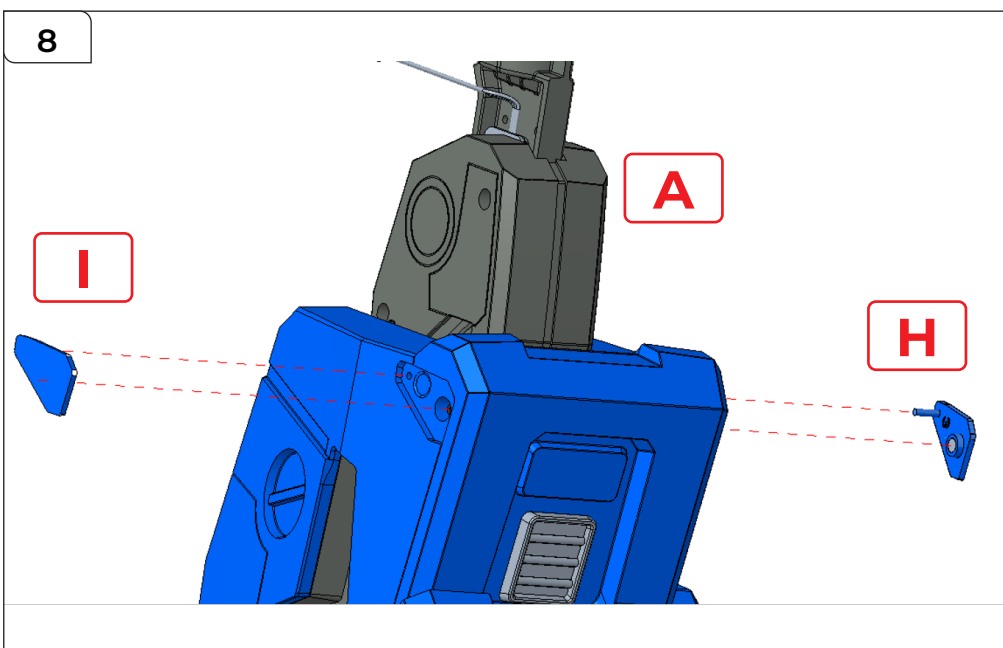
STEP 6

Apply a little glue to TR-8-14 before placing TR-8-33 in the recess.



STEP 7

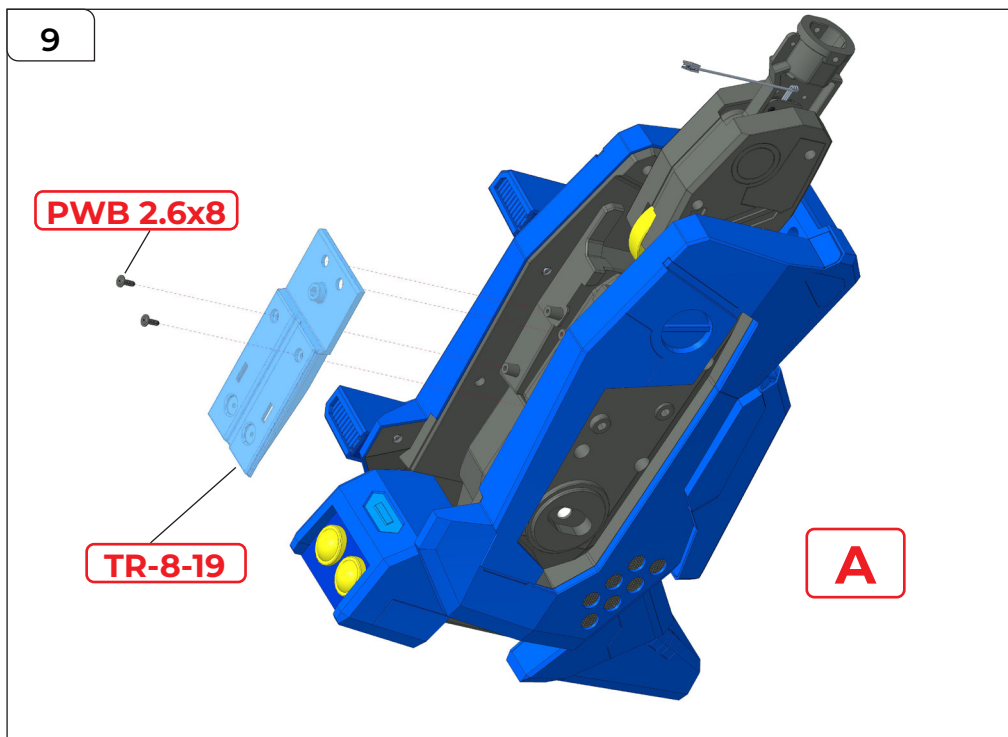
Apply a little glue to TR-8-15 before placing another part TR-8-33 in the recess.



STEP 8

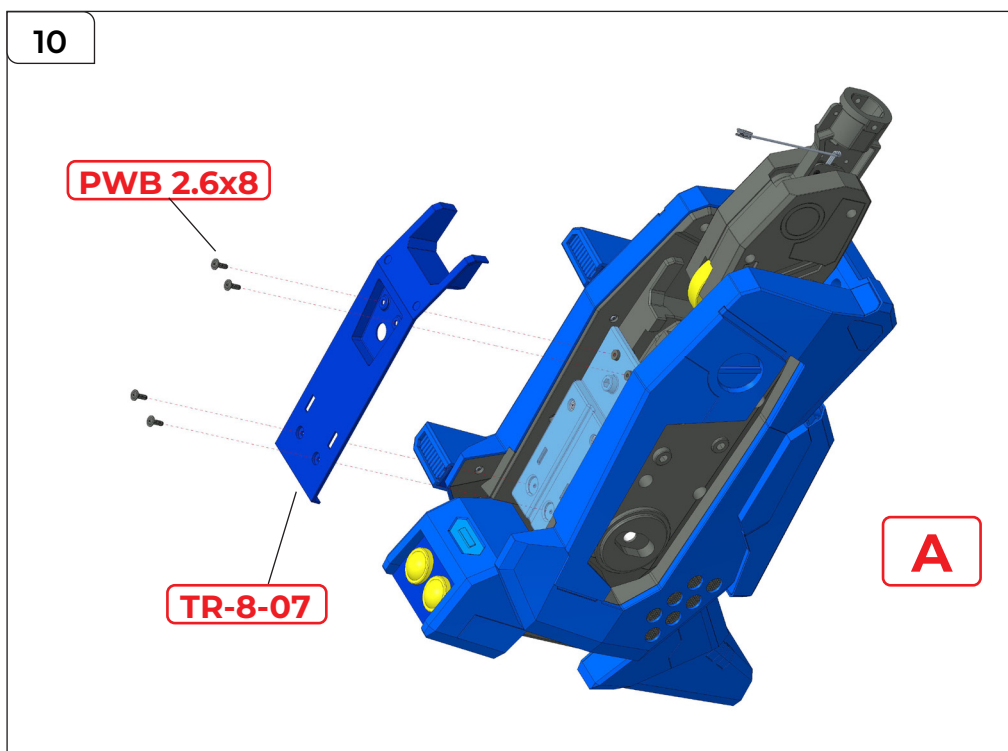
Press assembly H and Assembly I into place on A.

Assembling the Lower Left Leg



STEP 9

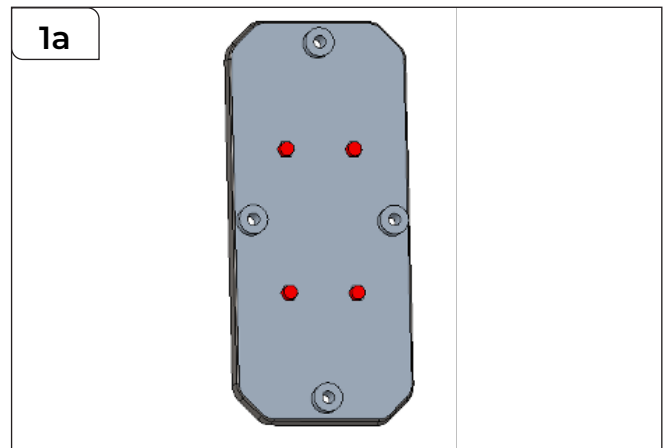
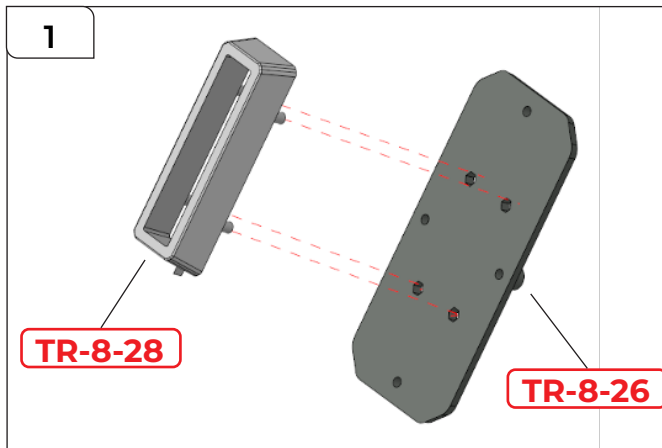
Attach TR-8-19 to A and secure it using 2x PWB 2.6x8 mm screws.



STEP 10

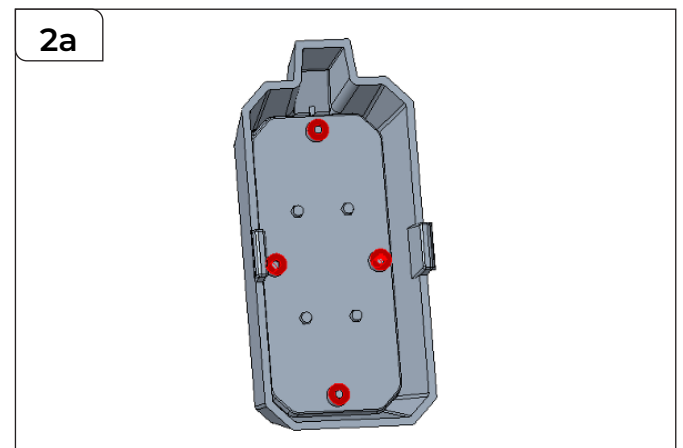
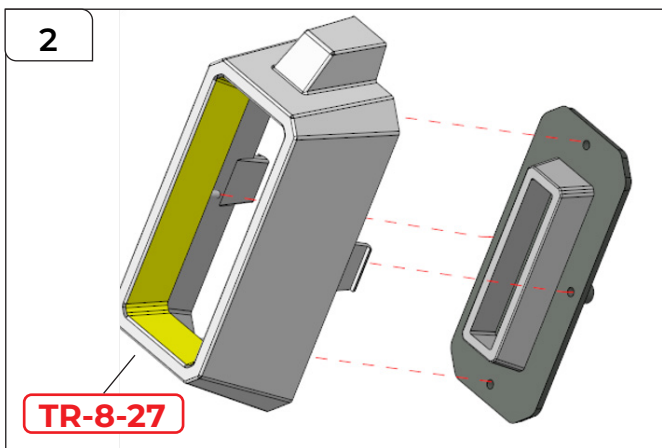
Attach TR-8-07 to A and secure it using 4x PWB 2.6x8 mm screws.

Assembling the Lower Left Leg



PART 8 - STEP 1

Glue part TR-8-26 as shown in 1a, then attach it to TR-8-28.

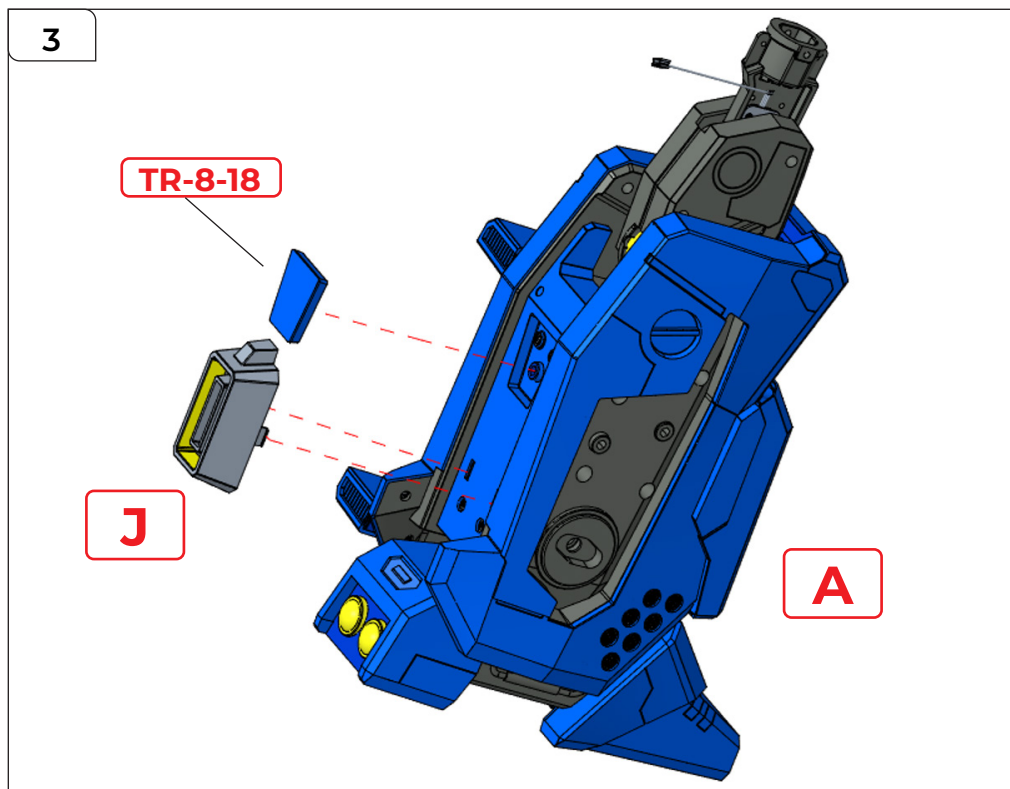


STEP 2

Glue part TR-8-27 as shown in 2a, then attach the assembly from the previous step to make J (shown below).

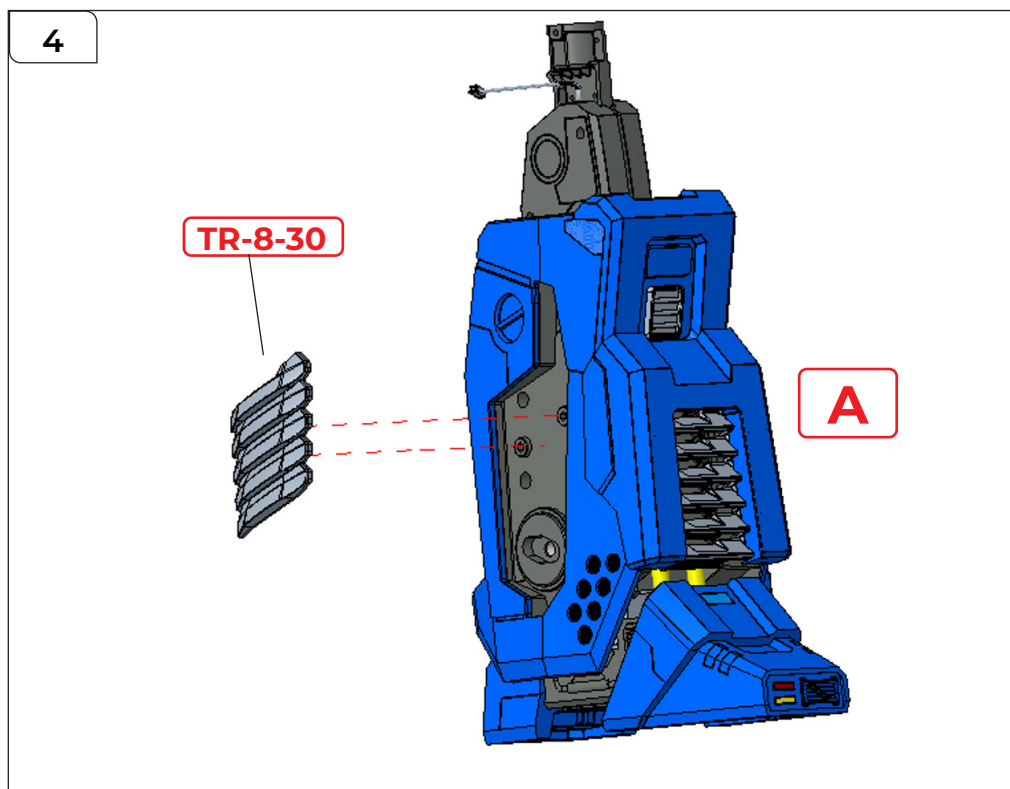


Assembling the Lower Left Leg



STEP 3

Press Assembly J and part TR-8-18 onto A.

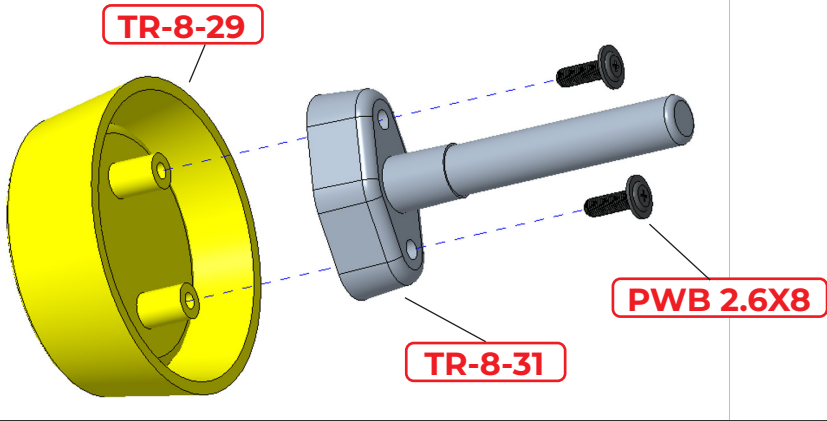


STEP 4

Press part TR-8-30 onto A.

Assembling the Lower Left Leg

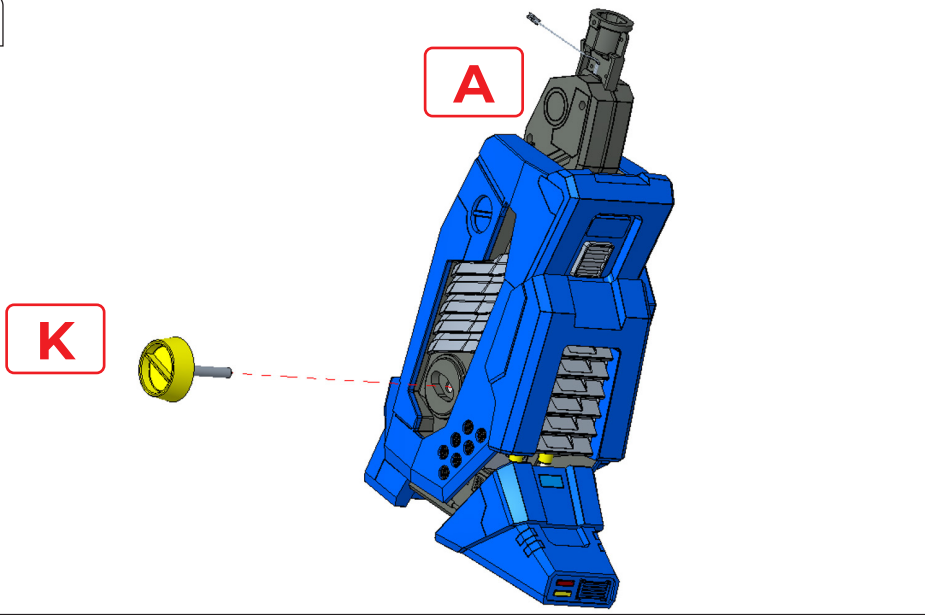
5



STEP 5

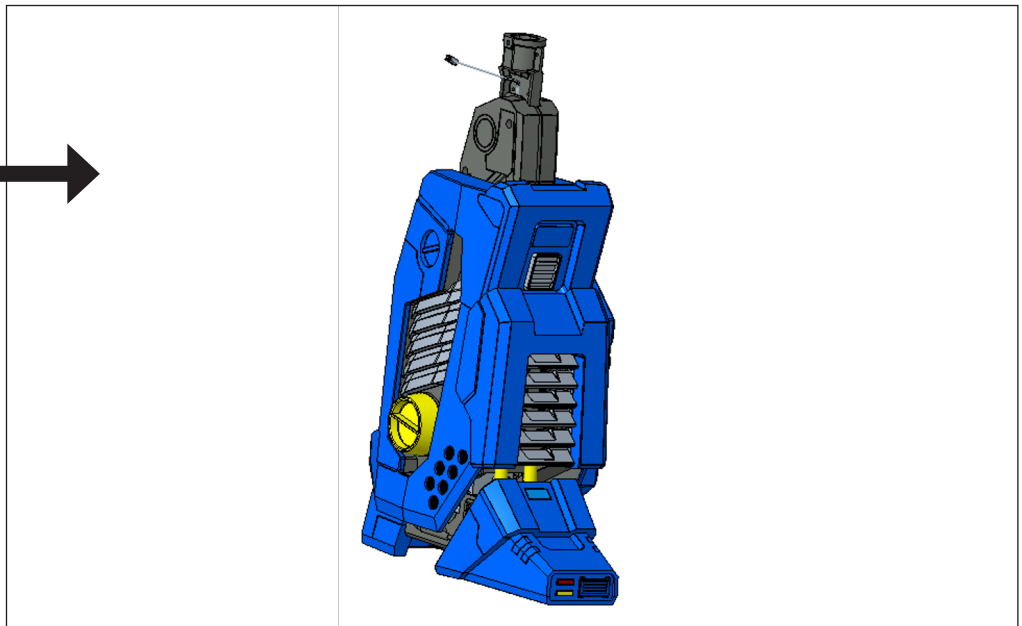
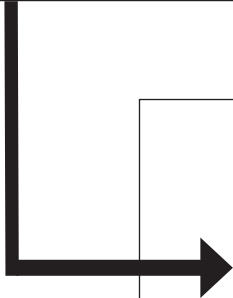
Attach TR-8-31 to TR-8-29 and secure them together using 2x PWB 2.6x8 mm screws.

6



STEP 6

Press Assembly K onto A.
Note, there are two holes that Assembly K slides into as the the foot extends. Push the foot UP/DOWN to align the holes.



Assembling the Lower Left Leg

PACK 8 COMPLETE

