

1955

# MERCEDES-BENZ

# 300 SL

## GULLWING



# Pack 06

## BUILD INSTRUCTIONS

STAGE 36: THE FLOOR PAN

STAGE 37: THE INTERIOR  
CARPETS

STAGE 38: THE PEDALS, THE  
GEAR SHIFT, AND THE  
HAND BRAKE

STAGE 39: THE LUGGAGE  
COMPARTMENT CARPET

STAGE 40: THE LEFT SEAT

STAGE 41: THE RIGHT SEAT

STAGE 42: THE LEFT AND  
RIGHT SIDE PANEL LINERS

STAGE 43: THE LUGGAGE  
COMPARTMENT

STAGE 44: THE FIREWALL  
SUPPORT STRUTS

STAGE 45: THE SUITCASE  
STRAPS

"MERCEDES-BENZ" and  are the intellectual property of Mercedes-Benz Group AG.  
They are used by Agora Models under license.

**AGORA**  
MODELS

## Advice from the experts

Spare screws are included with each part. Occasionally, you may be instructed to keep spare or unused screws for a later stage. Keep these spares in a safe place and label them correctly.

Please make sure you don't mix up the screws. They look quite similar, but the threads do vary slightly. Using the wrong screws may damage the parts.

When securing parts together using multiple screws, fit each screw loosely to ensure all the parts are correctly aligned before gently tightening them firmly, but not overtight, in the order in which you placed them.

The screwdriver can be magnetized by stroking it with a magnet (fridge magnet, etc.) enabling it to hold the screws and make assembly easier.

If a screw is tight going into a metal part, do not force it as you may shear the head off. Remove it and put a tiny smear of Vaseline, soap or light oil on the thread. That will lubricate it and make it easier to drive home.

During the course of this build, you will receive many pieces that you will assemble immediately – following the instructions in the corresponding stage – and other pieces that you should store safely to one side, for use in future assembly stages.

Left and Right! When building your Mercedes-Benz 300SL, the left or right hand side refers to each side as you are sitting in the car.



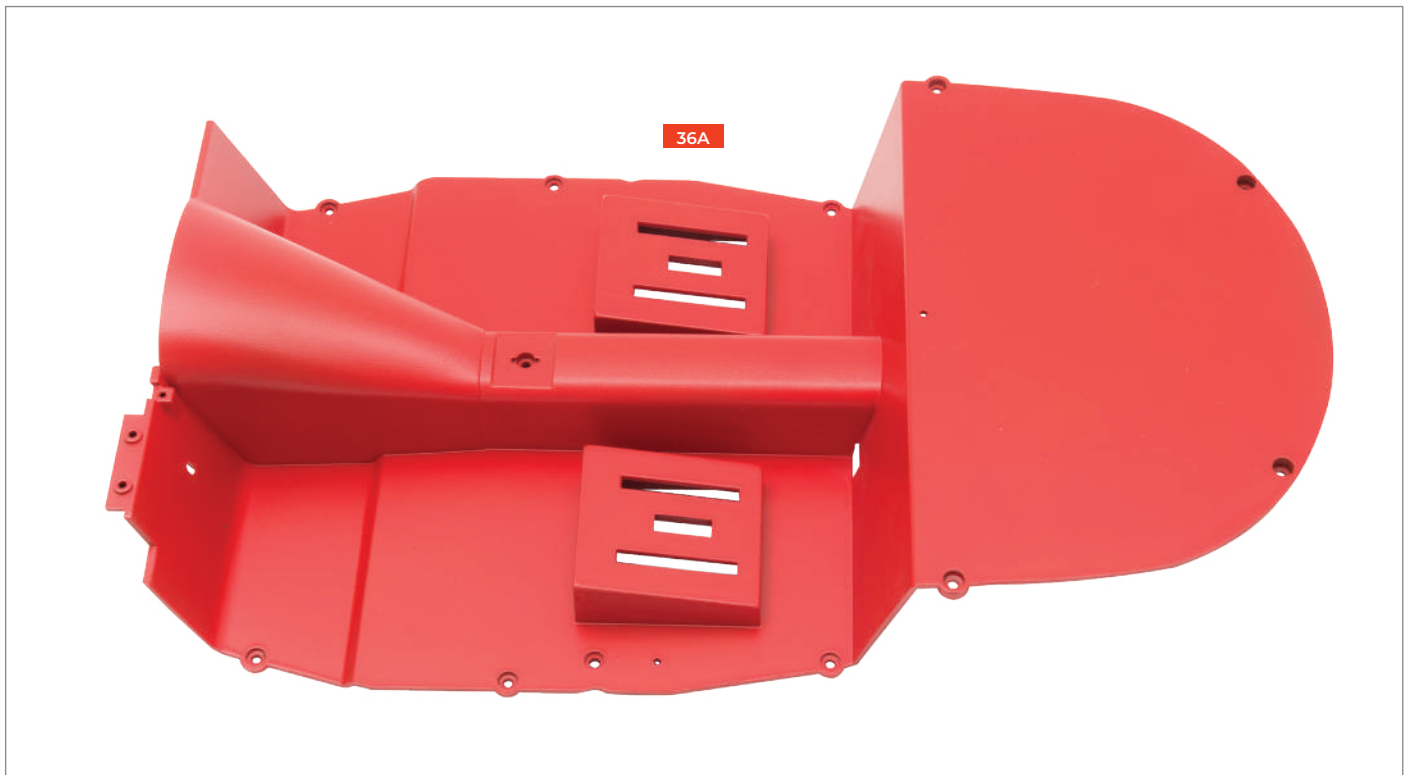
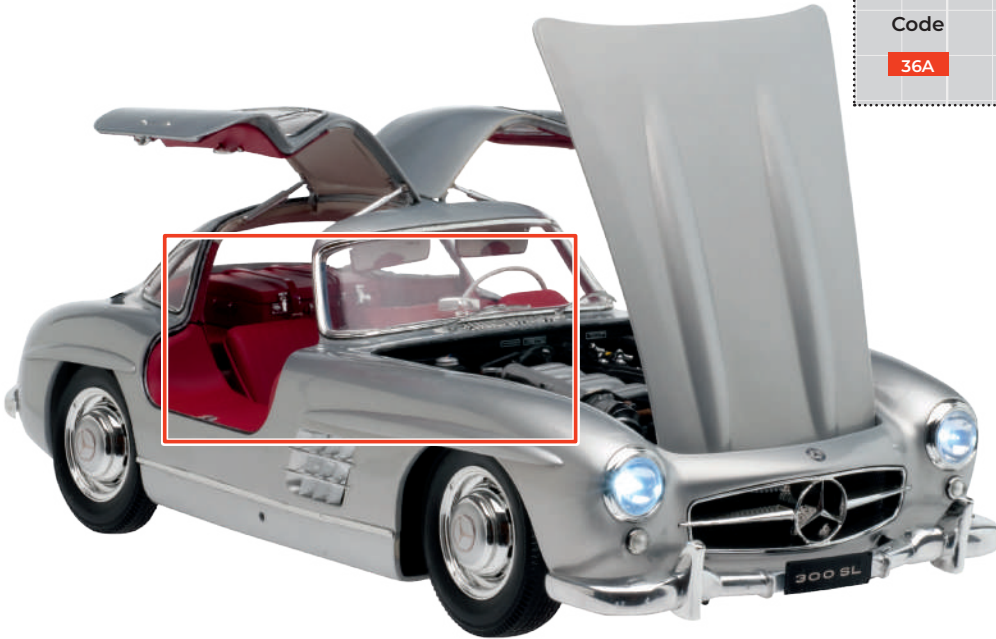
**WARNING:** Some parts are assembled using magnets. These magnets can cause serious injury if they are swallowed. Keep away from children. If you suspect a magnet has been swallowed, seek medical help straight away.

## ■ STAGE 36: THE FLOOR PAN

Collect and set aside the interior floor pan of your Mercedes 300 SL model. There is nothing to assemble in this stage. You will fit luxury carpets to the floor pan in the next one.

### STAGE 36 – REQUIRED PARTS

Code	Name	Quantity	Material
36A	Floor pan	1	ABS

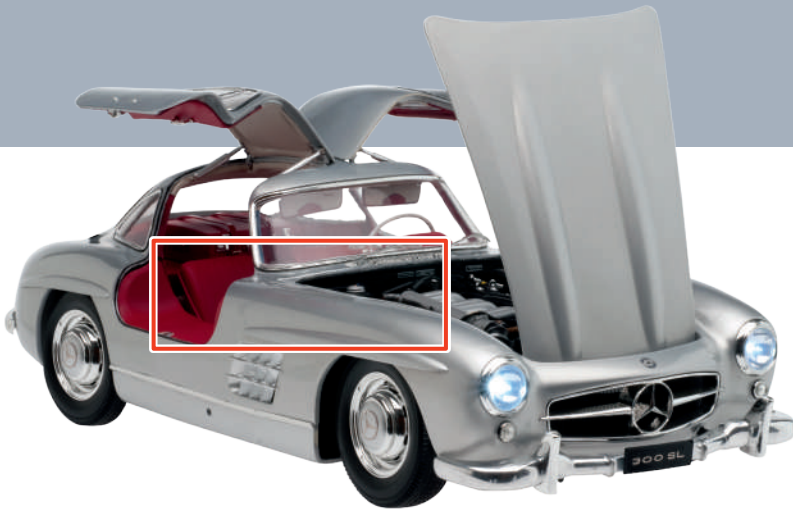


During the next 10 stages you will fit the interior floor, the luxury red carpets, and the two seats. You will also install the control pedals and the gear and hand brake levers; assemble the luggage compartment with two suitcases; and fit the firewall support struts.



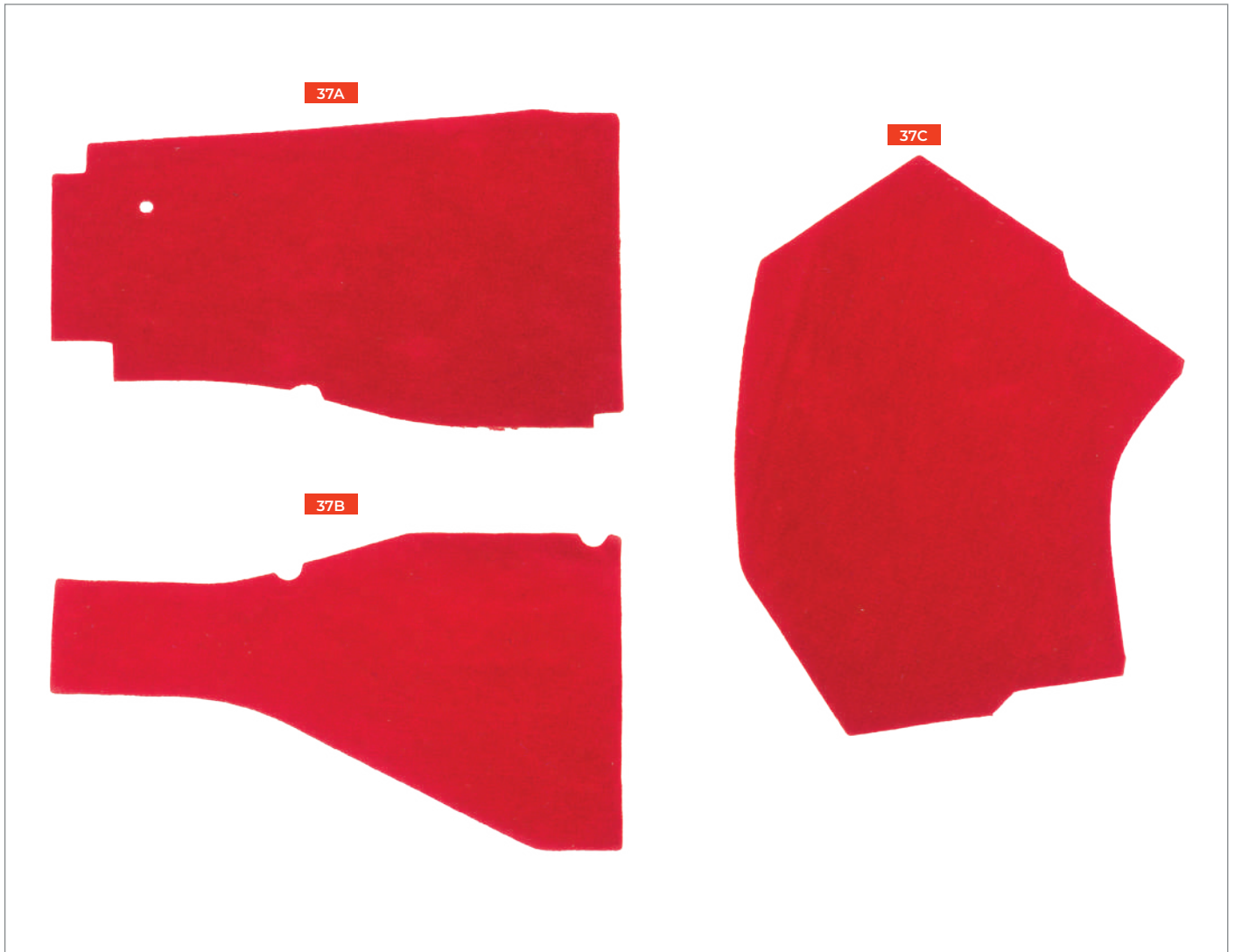
## STAGE 37: THE INTERIOR CARPETS

Fit the self-adhesive carpeting to the interior of the floor pan.



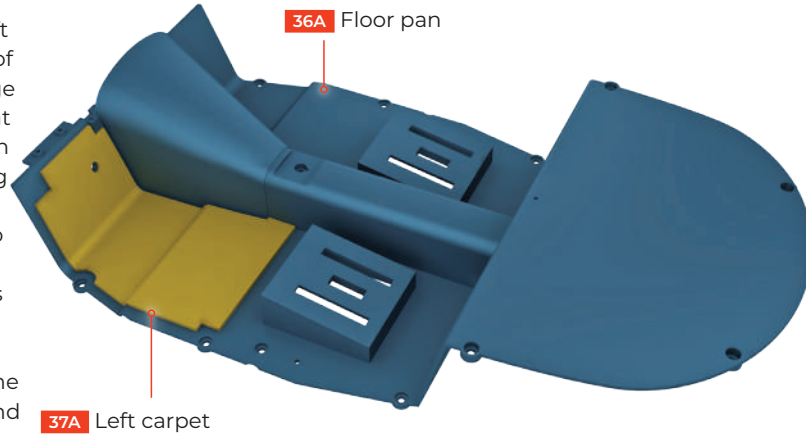
### STAGE 37 - REQUIRED PARTS

Code	Name	Quantity	Material
37A	Left carpet	1	Adhesive TPR felt
37B	Right carpet	1	Adhesive TPR felt
37C	Center carpet	1	Adhesive TPR felt



## 01 FITTING THE LEFT CARPET

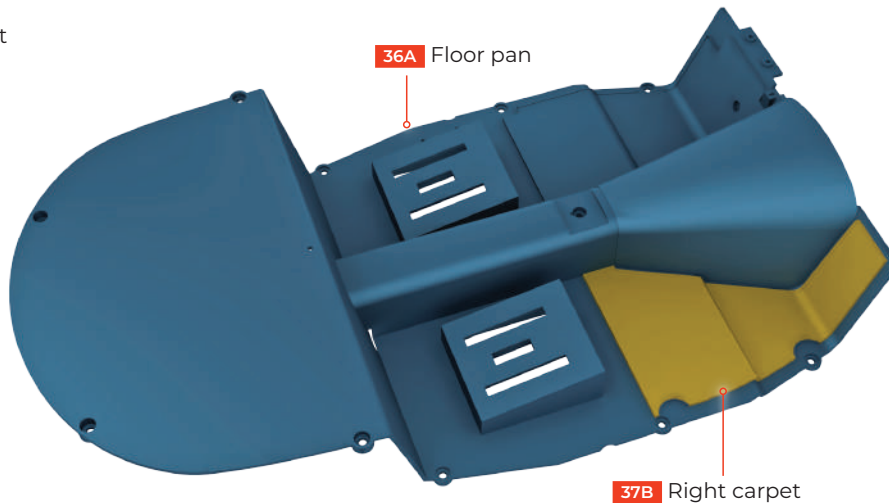
Test-fit the carpets before proceeding. Carefully peel off the backing from the self-adhesive left carpet **37A**. Align the front edge of the carpet along the front left edge of the floor pan **36A**, ensuring that the hole in the carpet lines up with the hole in the floor. Then, working slowly backwards, gently press the center of the carpet down into the contours of the floor, ensuring that the cutout on the left side fits around the front left socket in the floor. Finally, press the rear end of the carpet onto the floor so that the cutout on the left corner fits around the center left socket in the floor.



Stick the carpets in place loosely until you are sure they fit correctly all the way around. They can be carefully peeled off the plastic floor if you make a mistake. When you are sure the fit is correct, you can press them down firmly.

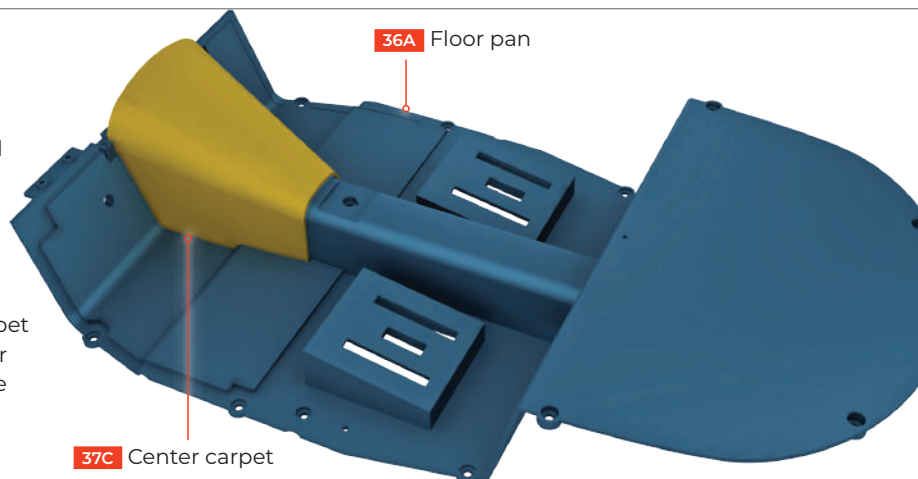
## 02 FITTING THE RIGHT CARPET

Peel off the backing from the right carpet **37B** and align it to the front right of the interior floor **36A**, following the same procedure as you did on the left side. Make sure that the two cutouts on the right side align with the two sockets in the edge of the floor.



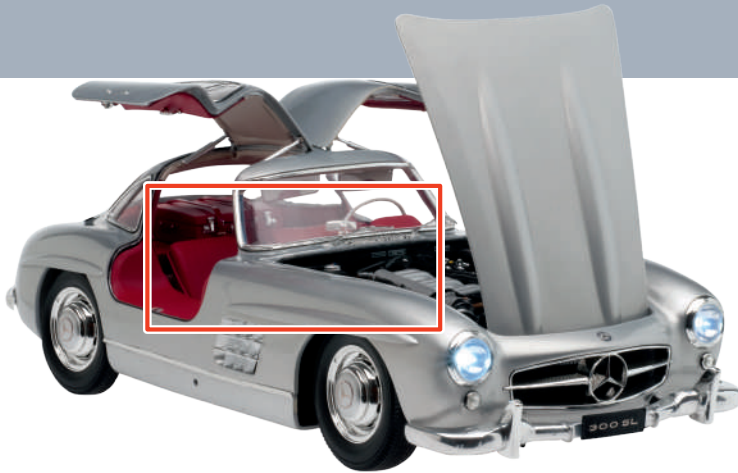
## 03 FITTING THE CENTER CARPET

Peel off the backing from the center carpet **37C** and align it to the front edge of the transmission tunnel on the floor pan **36A**. Then follow the same procedure as you did on the sides. Make sure that the left and right edges of the center carpet butt neatly in the corner against the edges of the left and right carpets.



## STAGE 38: THE PEDALS, THE GEAR SHIFT, AND THE HAND BRAKE

The next stage is to fit the brake pedal and switch, the accelerator and clutch pedals, the gear shift lever, and the hand brake.



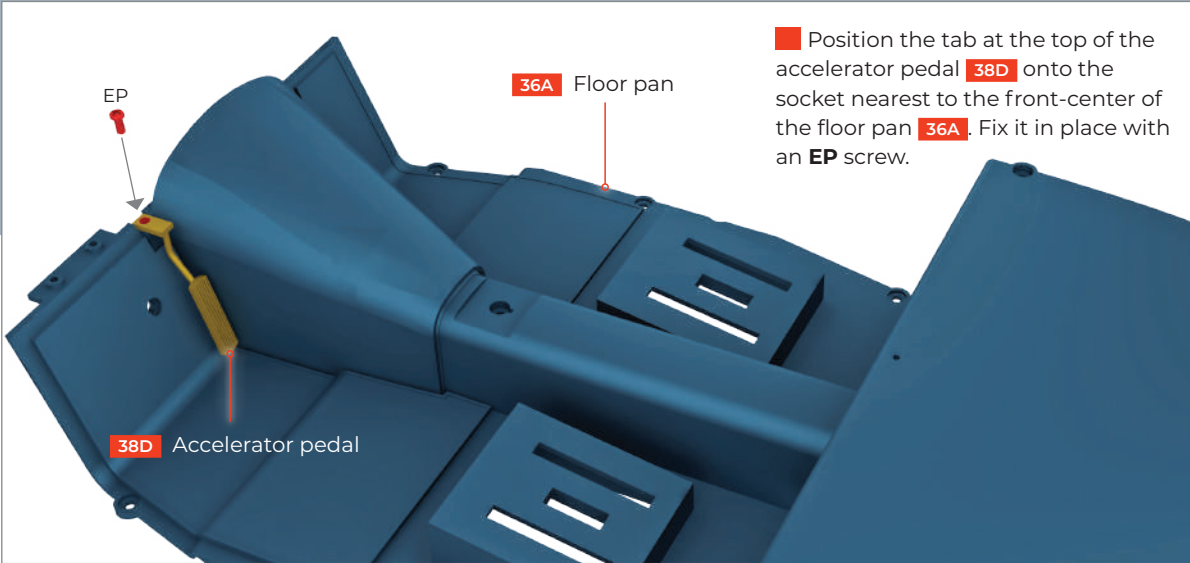
### STAGE 38 – REQUIRED PARTS

Code	Name	Quantity	Material
38A	Brake pedal	1	ABS
38B	Brake pedal switch and wiring	1	Mixed
38C	Brake pedal switch base	1	ABS
38D	Accelerator pedal	1	ABS
38E	Clutch pedal	1	ABS
38F	Gear shift lever	1	ABS
38G	Hand brake lever	1	ABS
38H	Brake switch bracket	1	ABS
38I	Spring	1	Iron
EP	Screws 1.7 x 4mm	1 + 1*	Iron
GP	Screws 1.7 x 6mm	1 + 1*	Iron
HP	Screws 2 x 4mm	6 + 2*	Iron
MP	Screws 2.3 x 4mm	1 + 1*	Iron

\* Replacement screws included

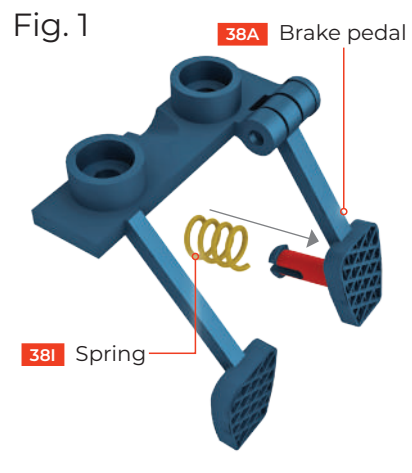
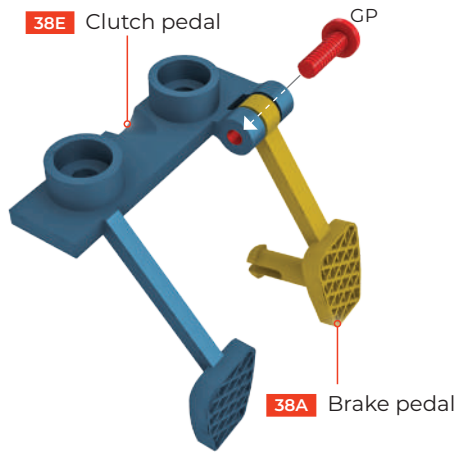


## 01 FITTING THE ACCELERATOR PEDAL



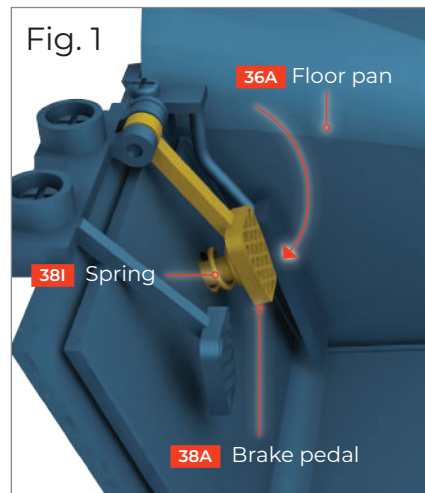
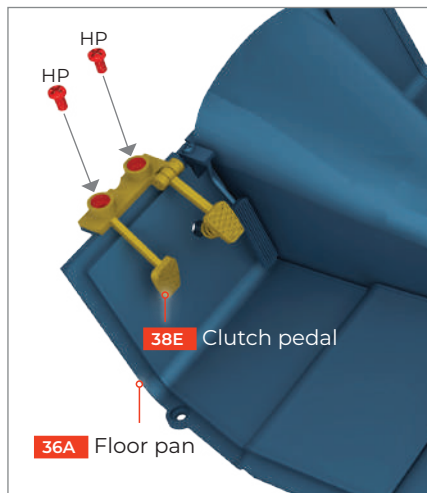
## 02 INSTALLING THE BRAKE PEDAL

Fit the pivot at the top of the brake pedal **38A** into the hinge on the plate connecting the clutch pedal and the brake pedal **38E**. Fix in place with a **GP** screw through the hinge. Do not over-tighten the screw, as the pedal must be able to pivot freely. Then fit the spring **38I** over the forked clip behind the brake pedal **38A** (figure 1).



## 03 INSTALLING THE CLUTCH PEDAL

Fit the clutch pedal plate **38E** over the two sockets at the front left of the floor pan **36A** and fix it in place with two **HP** screws. Then push the forked clip behind the brake pedal through the hole in the carpet and floor pan, ensuring that the spring stays in place on the forked clip (figure 1).





## STAGE 38: THE PEDALS, THE GEAR SHIFT, AND THE HAND BRAKE

### 04 ASSEMBLING THE BRAKE PEDAL SWITCH AND BASE

Position the brake pedal switch **38B** into the fork of the brake pedal switch base **38C** as shown in the picture, with the switch button orientated as shown. Fit the brake switch bracket **38H** over the switch and fix it to the brake pedal switch base **38C** with two **HP** screws (figure 1). Then, turn over the floor pan to carefully position the assembled brake pedal switch base **38C** over the screw post and pin on the underside of the interior floor **36A**, as shown in the picture. Make sure that the switch button aligns with the protruding forked clip of the brake pedal **38A**. Fix the assembly in place with an **HP** screw (figure 2).

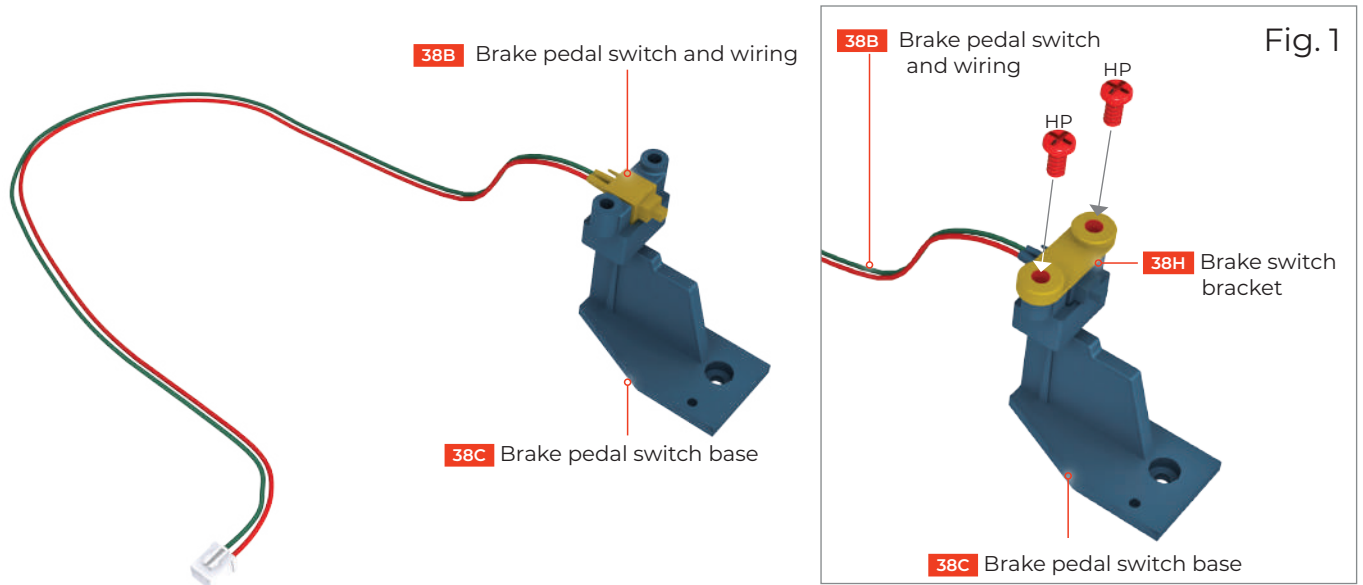
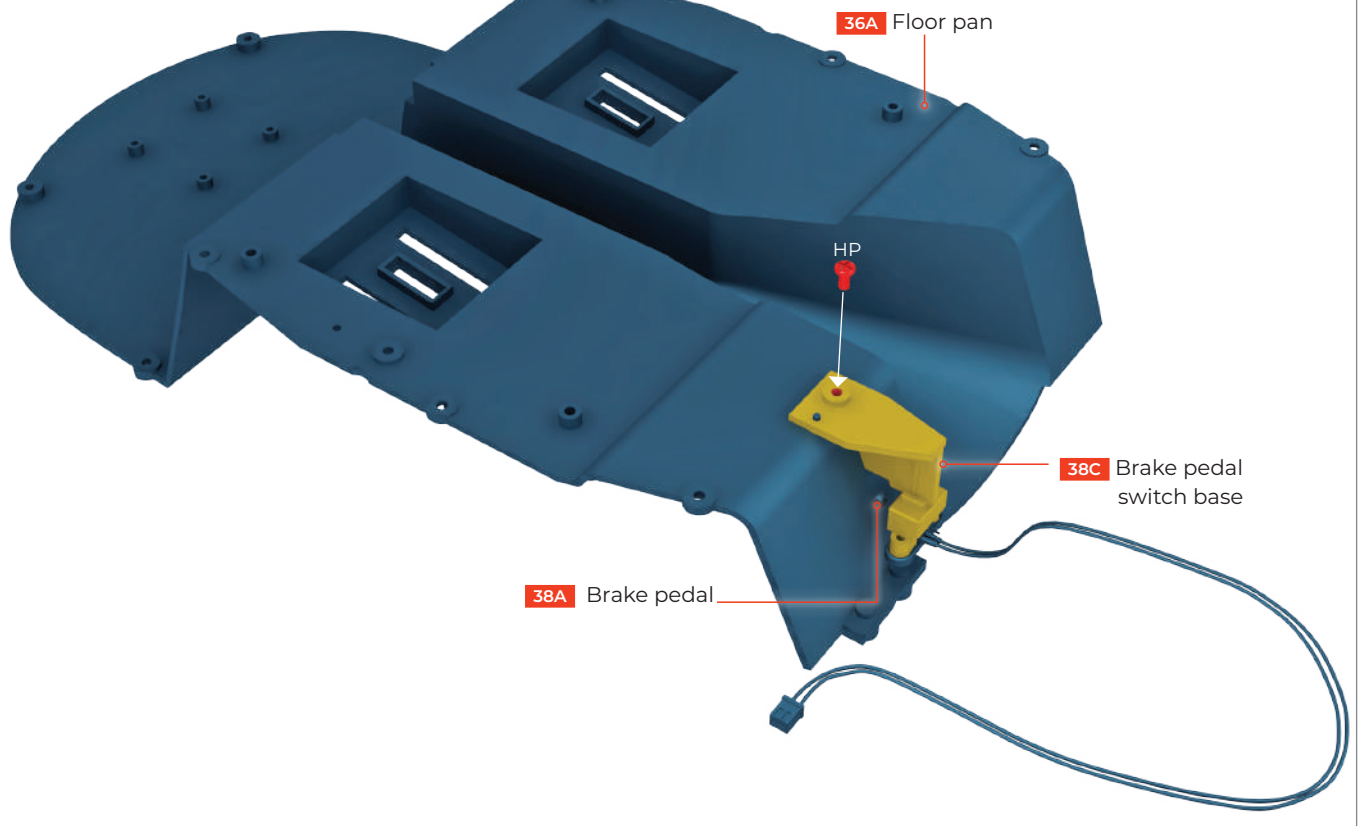
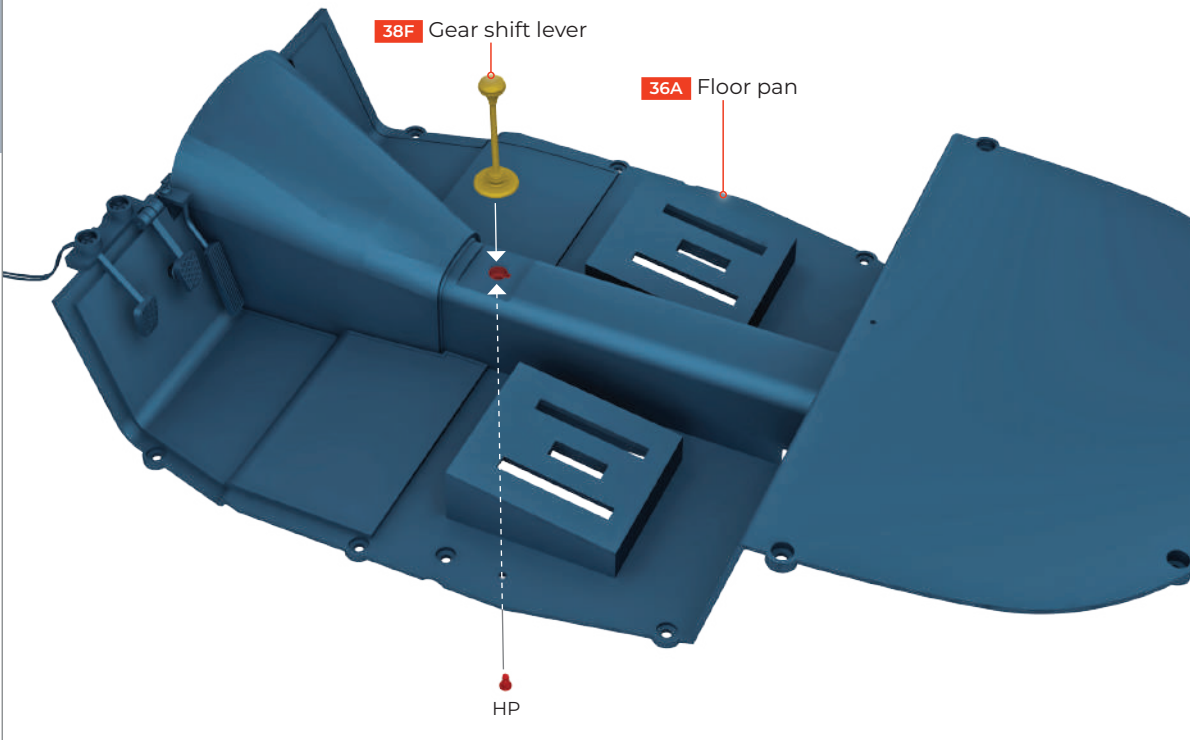


Fig. 2



## 05 INSTALLING THE GEAR SHIFT LEVER

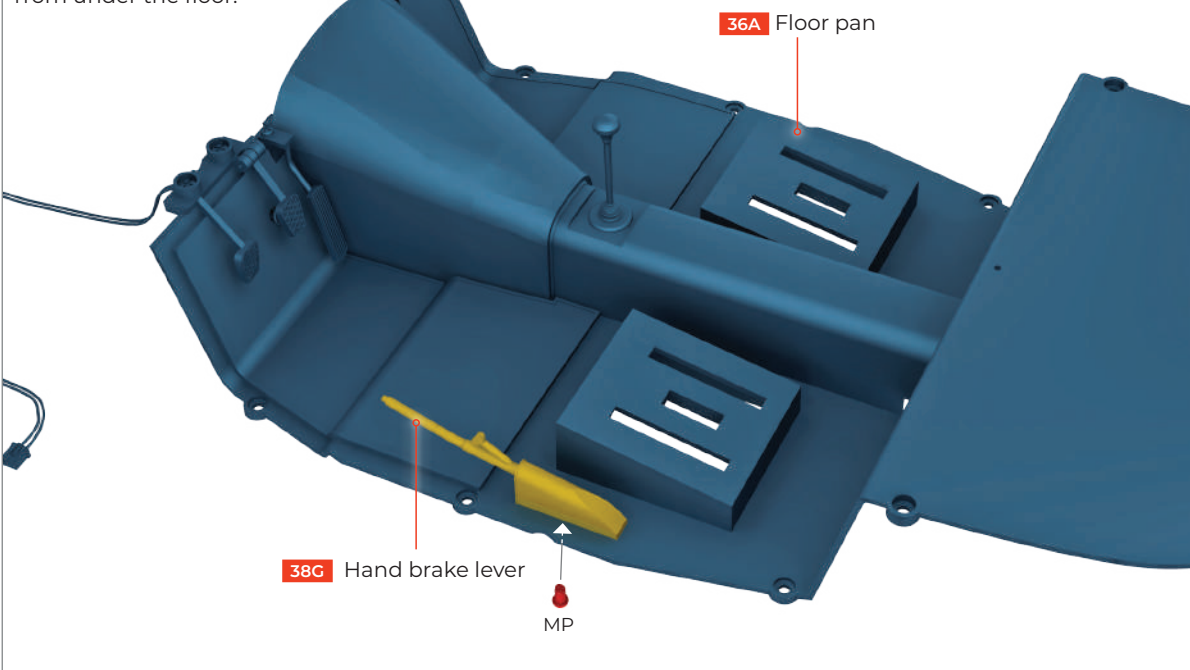
Insert the gear shift lever **38F** into the notched socket at the center of the floor pan **36A** transmission tunnel. Fix it in place with an **HP** screw from under the floor.



Check that, when pressed, the brake pedal depresses the brake switch to operate the brake lights.

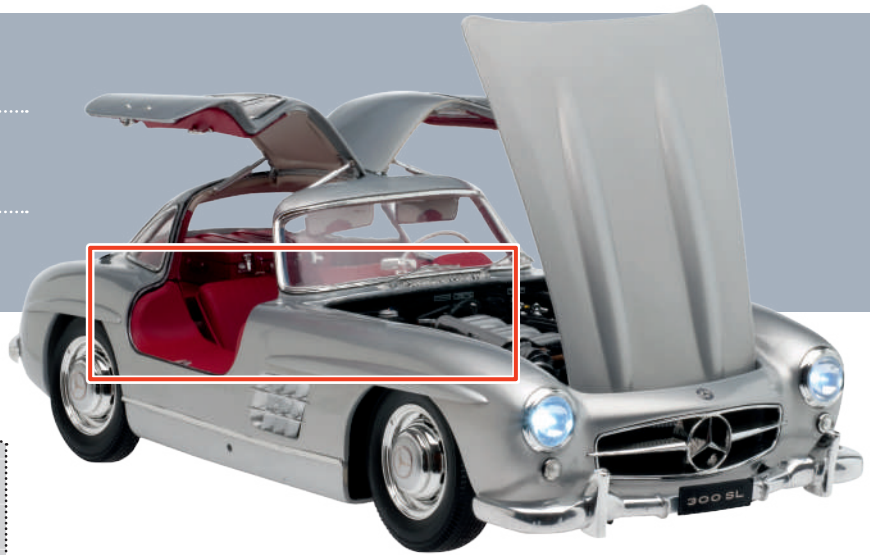
## 06 INSTALLING THE HAND BRAKE

Position the hand brake lever **38G** over the socket at the center-left of the floor pan **36A**. Fix it in place with an **MP** screw from under the floor.



## STAGE 39: THE LUGGAGE COMPARTMENT CARPET

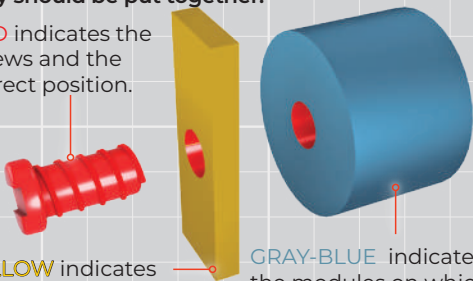
Fit the self-adhesive carpet to the interior of the floor pan.



### COLOR CODING

The color coding of the parts shows how they should be put together.

**RED** indicates the screws and the correct position.



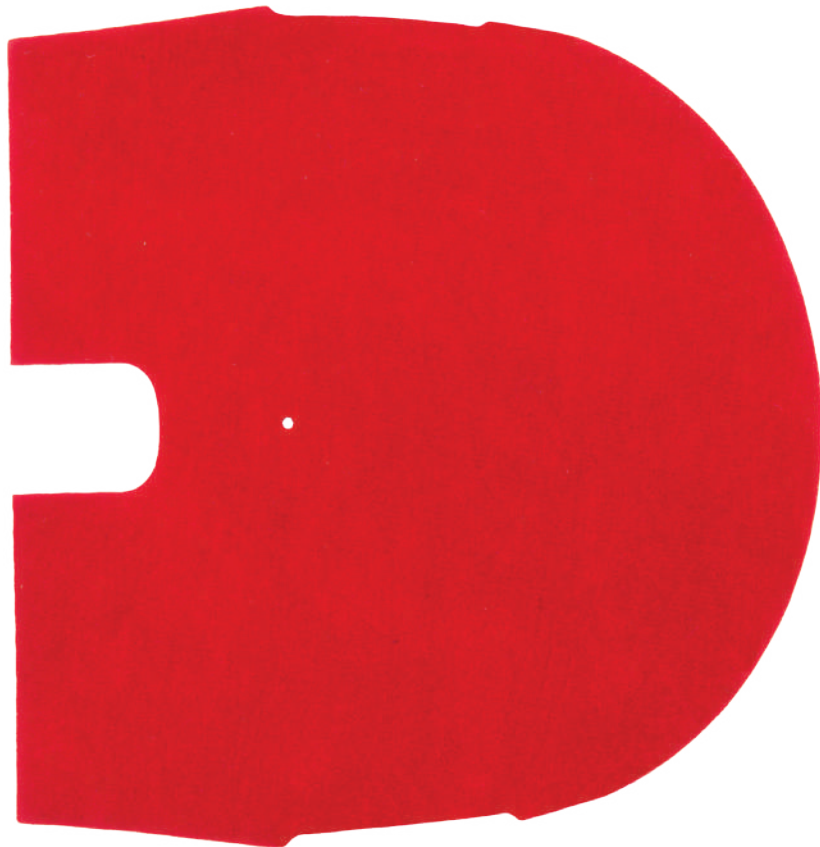
**YELLOW** indicates new parts.

**GRAY-BLUE** indicates the modules on which the new parts should be assembled.

### STAGE 39 – REQUIRED PARTS

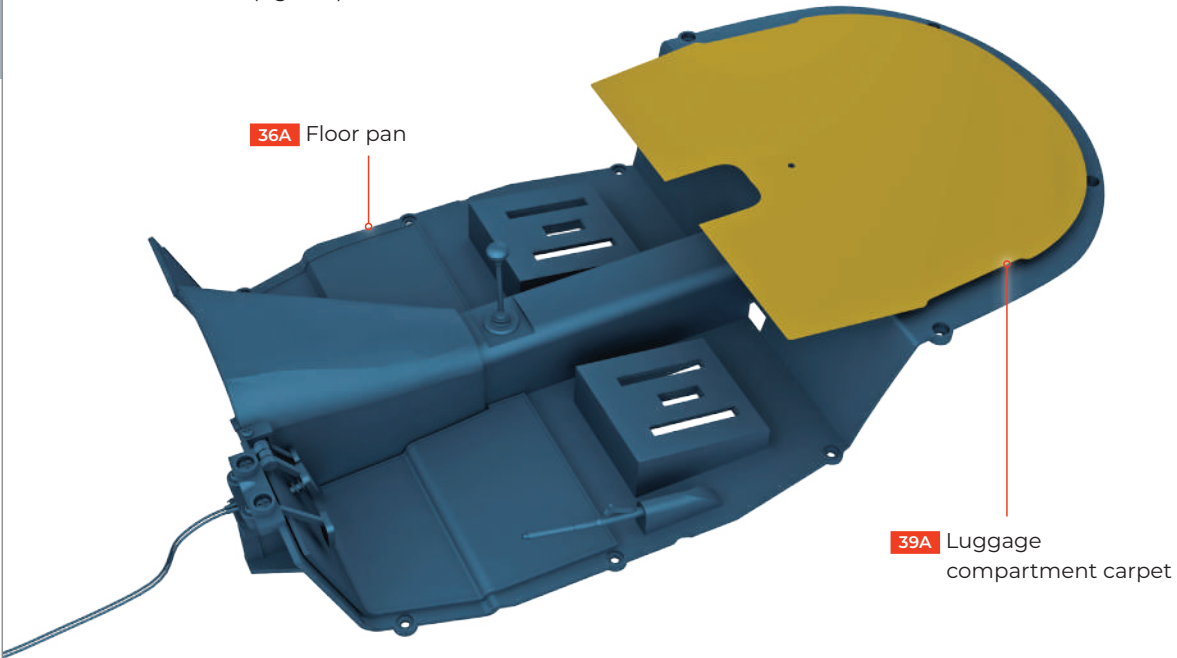
Code	Name	Quantity	Material
39A	Luggage compartment carpet	1	Self-adhesive TPR felt

39A



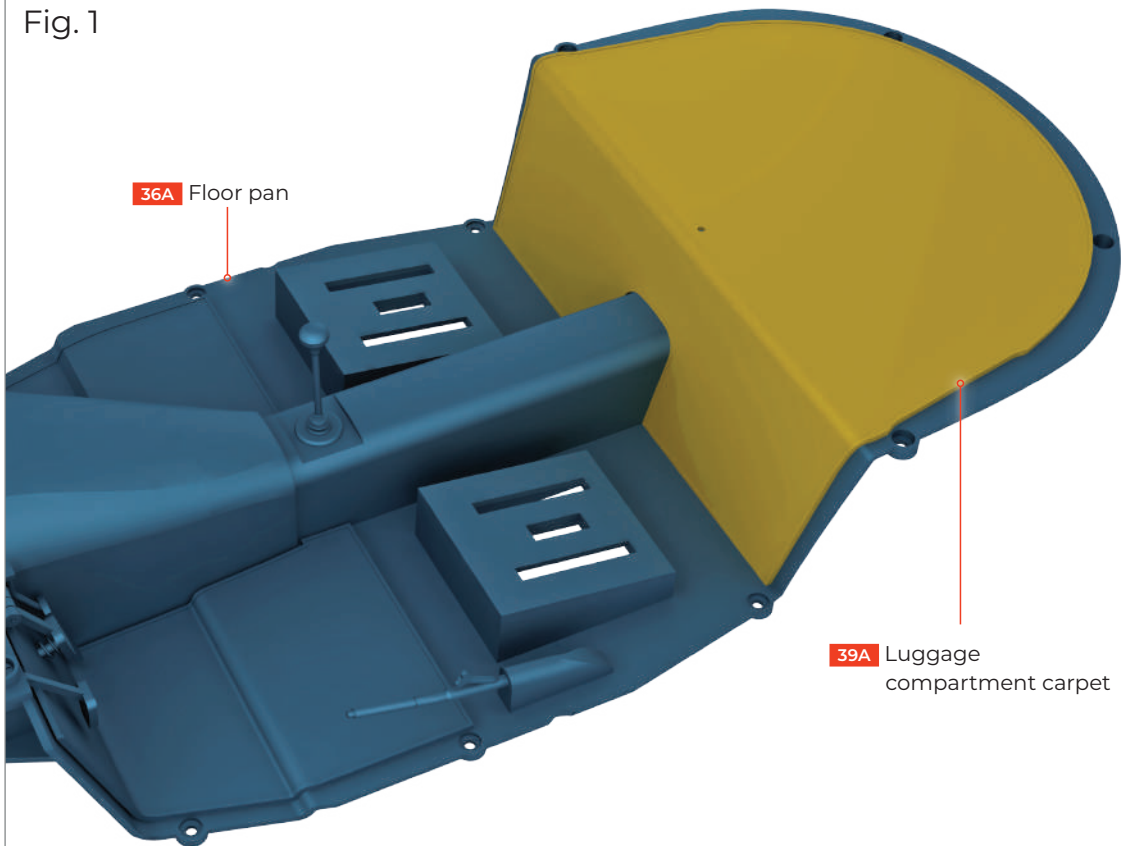
## 01 FITTING THE LUGGAGE COMPARTMENT CARPET

First, read the TIP in the right-hand margin and look closely at the picture in Box 01. Then carefully peel the backing from the self-adhesive carpet **39A**. Fix the rear edges of the carpet over the luggage area of the floor pan **36A**, ensuring that it does not cover the four holes around the edges of the floor. Then neatly fold the front of the carpet down over the drive shaft tunnel (figure 1).



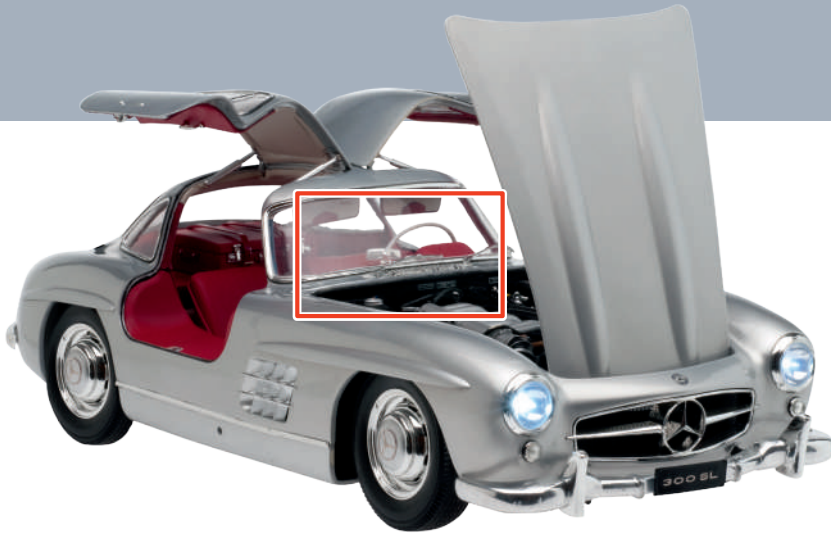
Stick the carpet in place loosely until you are sure it fits correctly all the way around. It can be carefully peeled off the plastic floor if you make a mistake. When you are sure the fit is correct, you can press it down firmly.

Fig. 1



## STAGE 40: THE LEFT SEAT

Assemble and fix the left seat and its cushions to the floor pan.



### STAGE 40 - REQUIRED PARTS

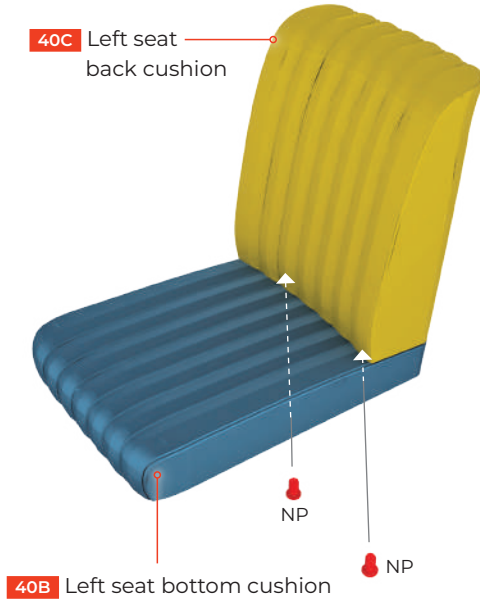
Code	Name	Quantity	Material
40A	Left seat housing	1	ABS
40B	Left seat bottom cushion	1	ABS, PVC and foam
40C	Left seat back cushion	1	ABS, PVC and foam
40D	Washer	1	ABS
MP	Screws 2.3 x 4mm	4 + 2*	Iron
NP	Screws 2.3 x 5mm	3 + 1*	Iron

\* Replacement screws included



### 01 FITTING THE LEFT BACK CUSHION

Fit the two posts beneath the back cushion of the left seat **40C** into the two sockets at the rear of the left seat bottom cushion **40B**. Fix the back cushion in place with two **NP** screws from underneath.

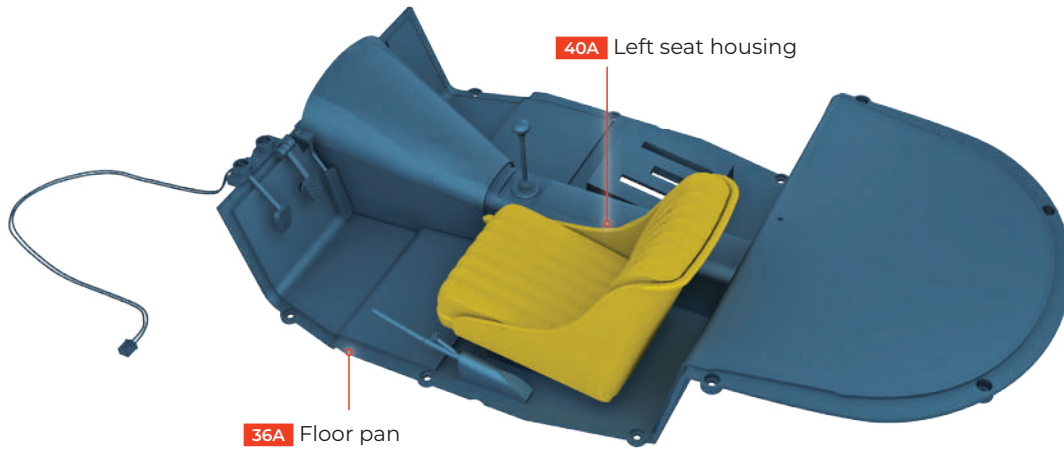


### 02 FITTING THE CUSHIONS INTO THE LEFT SEAT

Fit the assembled left seat cushions **40B** and **40C** into the left seat **40A**. Fix in place with four **MP** screws from underneath.



### 03 FITTING THE ASSEMBLED LEFT SEAT TO THE FLOOR PAN



Fit the left seat **40A** to the left side of the floor pan **36A**, ensuring that the posts on the underside of the seat engage in the three slots in the raised section of the floor. Turn the floor pan upside down and place the washer **40D** over the central screw post of the seat housing. Fix with an **NP** screw through the washer and into the seat housing post (figure 1).

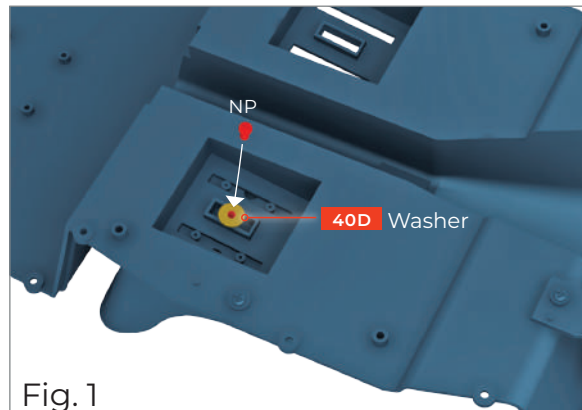


Fig. 1

When correctly fitted, the left seat should slide back and forth on its runners. Do not over-tighten the NP screw.

## STAGE 41: THE RIGHT SEAT

Assemble and fix the right seat and its cushions to the floor pan.



### STAGE 41 - REQUIRED PARTS

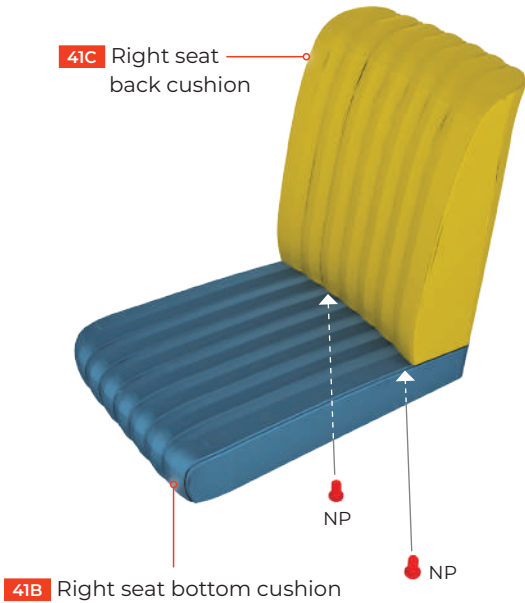
Code	Name	Quantity	Material
41A	Right seat housing	1	ABS
41B	Right seat bottom cushion	1	ABS, PVC and foam
41C	Right seat back cushion	1	ABS, PVC and foam
41D	Washer	1	ABS
MP	Screws 2.3 x 4mm	4 + 2*	Iron
NP	Screws 2.3 x 5mm	3 + 1*	Iron

\* Replacement screws included



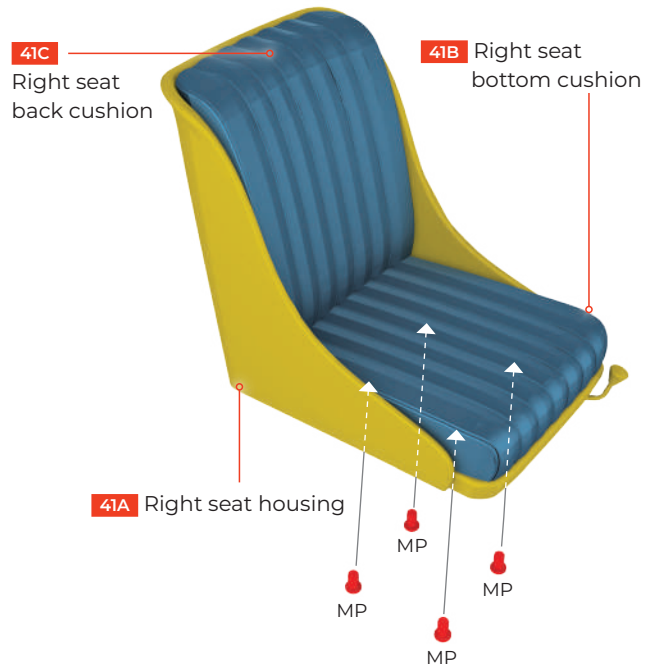
### 01 FITTING THE RIGHT BACK CUSHION

Fit the two posts beneath the back cushion of the right seat **41C** into the two sockets at the rear of the right seat bottom cushion **41B**. Fix the back cushion in place with two **NP** screws from underneath.



### 02 FITTING THE CUSHIONS INTO THE RIGHT SEAT

Fit the assembled right seat cushions **41B** and **41C** into the right seat **41A**. Fix in place with four **MP** screws from underneath.



### 03 FITTING THE ASSEMBLED RIGHT SEAT TO THE FLOOR PAN



Fit the right seat housing **41A** to the right side of the floor pan **36A**, ensuring that the posts on the underside of the seat engage in the three slots in the raised section of the floor. Turn the floor pan upside down and place the washer **41D** over the central screw post of the seat housing. Fix with an **NP** screw through the washer and into the seat housing post (figure 1).

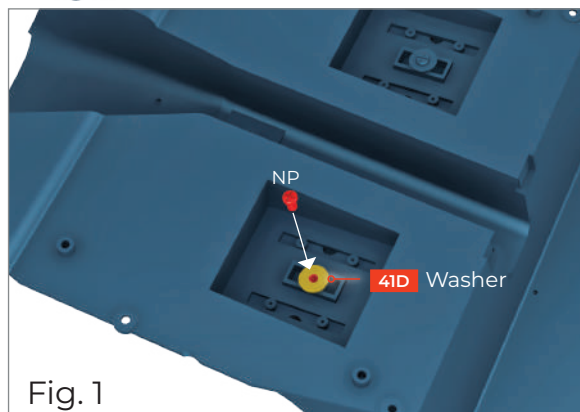


Fig. 1

When correctly fitted, the right seat should slide back and forth on its runners. Do not over-tighten the NP screw.



## STAGE 42: THE LEFT AND RIGHT SIDE PANEL LINERS

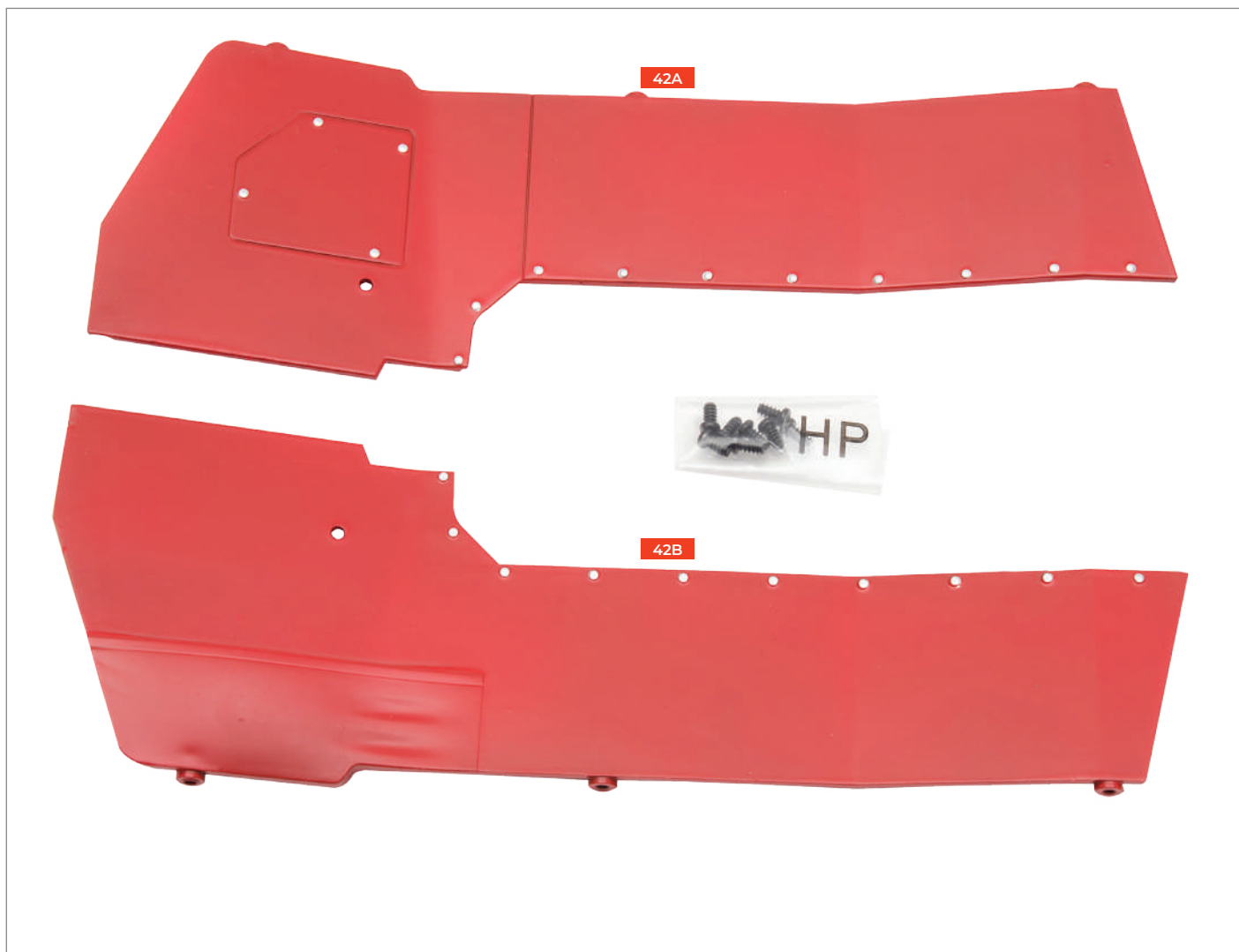
Fit the left and right side panel liners to the floor pan.



### STAGE 42 - REQUIRED PARTS

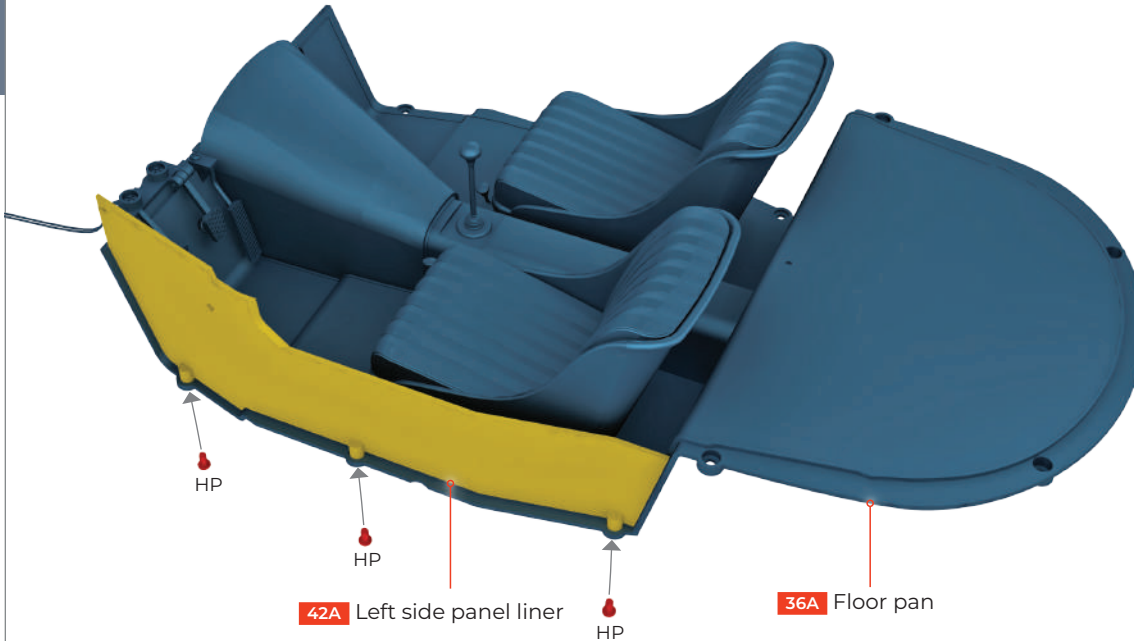
Code	Name	Quantity	Material
42A	Left side panel liner	1	ABS
42B	Right side panel liner	1	ABS
HP	Screws 2 x 4mm	6 + 2*	Iron

\* Replacement screws included



## 01 FITTING THE LEFT SIDE PANEL LINER

Fit the left side panel liner **42A** to the left side of the floor pan **36A**, ensuring that the three pins on the bottom edge of the panel engage in the three sockets at the edge of the floor pan. Fix in place from underneath with three **HP** screws.



Take care not to rest the assembly on the delicate gear stick when fitting the panel liners.

## 02 FITTING THE RIGHT SIDE PANEL LINER

Fit the right side panel liner **42B** to the right side of the floor pan **36A**, ensuring that the three pins on the bottom edge of the panel engage in the three sockets at the edge of the floor pan. Fix in place from underneath with three **HP** screws.



## STAGE 43: THE LUGGAGE COMPARTMENT

Fit the luggage compartment outer panel to the floor pan, then fix the floor to the main chassis.



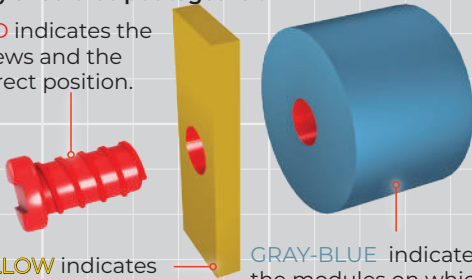
### COLOR CODING

The color coding of the parts shows how they should be put together.

**RED** indicates the screws and the correct position.

**YELLOW** indicates new parts.

**GRAY-BLUE** indicates the modules on which the new parts should be assembled.



### STAGE 43 - REQUIRED PARTS

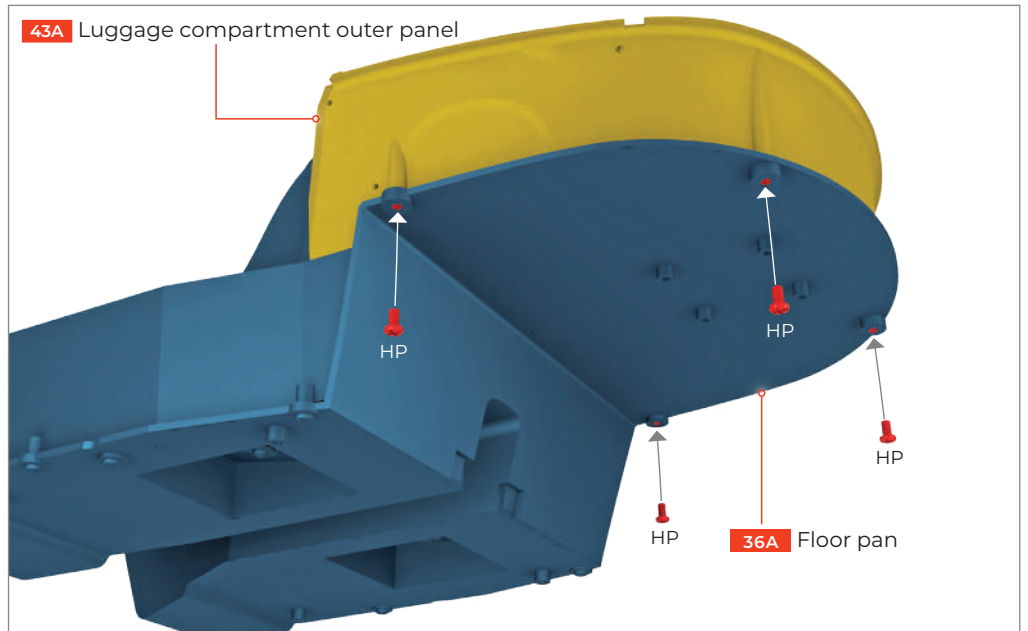
Code	Name	Quantity	Material
<b>43A</b>	Luggage compartment outer panel	1	ABS
<b>HP</b>	Screws 2 x 4mm	4 + 2*	Iron
<b>PP</b>	Screws 2.6 x 4mm	4 + 2*	Iron

\* Replacement screws included



### 01 FITTING THE LUGGAGE COMPARTMENT OUTER PANEL

Fit the luggage compartment outer panel **43A** to the rear edge of the interior floor pan **36A**, ensuring that the four posts on the lower edge of the panel engage in the four sockets around the edge of the floor pan. Fix the panel in place from underneath with four **HP** screws.



## 02 FITTING THE FLOOR PAN TO THE MAIN CHASSIS

Fit the assembled interior floor pan **36A** into the chassis **14A**. To do this, first slide the front edge of the floor pan down beneath the firewall **30A**. Then lower the rear of the floor pan into the cavity in the chassis structure, above the rear wheels. Ensure that the wires from the brake pedal switch **38B** are laid between the floor pan and the tubular frame, with the plug towards the rear of the model (figure 1). Now turn the model upside down and fix the floor pan in place with four **PP** screws through the four tabs on the chassis and into the floor pan **14A** (figure 2).

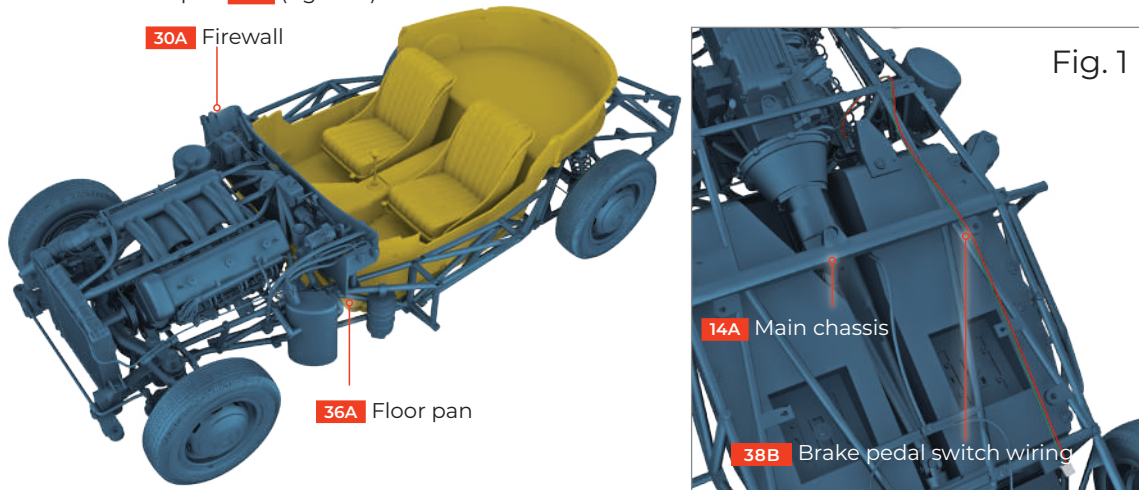
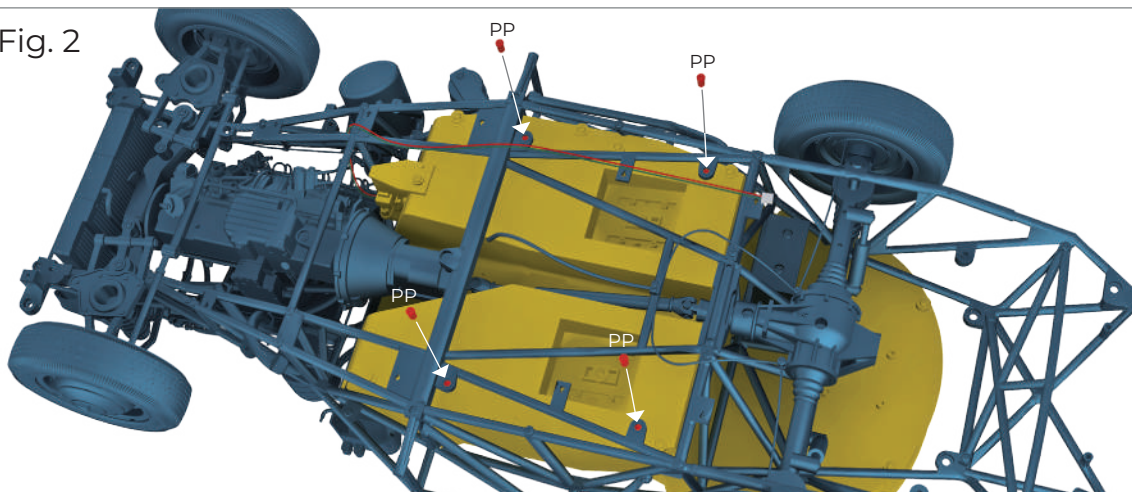


Fig. 1

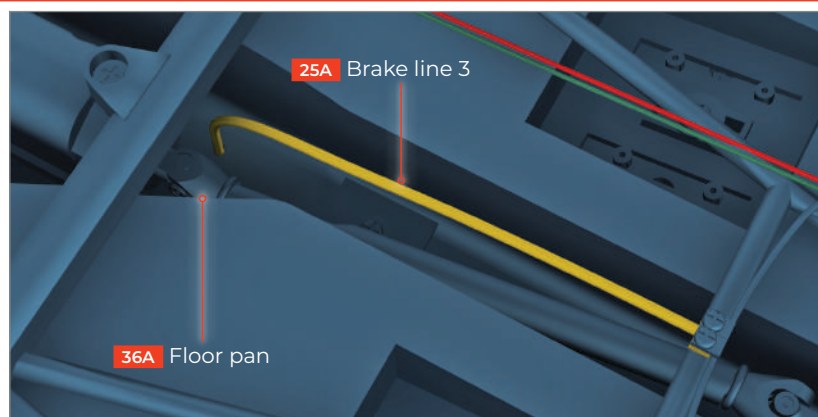
The wiring from the brake pedal switch will be secured beneath the chassis and connected to the control circuit board at the rear in later stages. For now, just ensure that the wires remain accessible.

Fig. 2



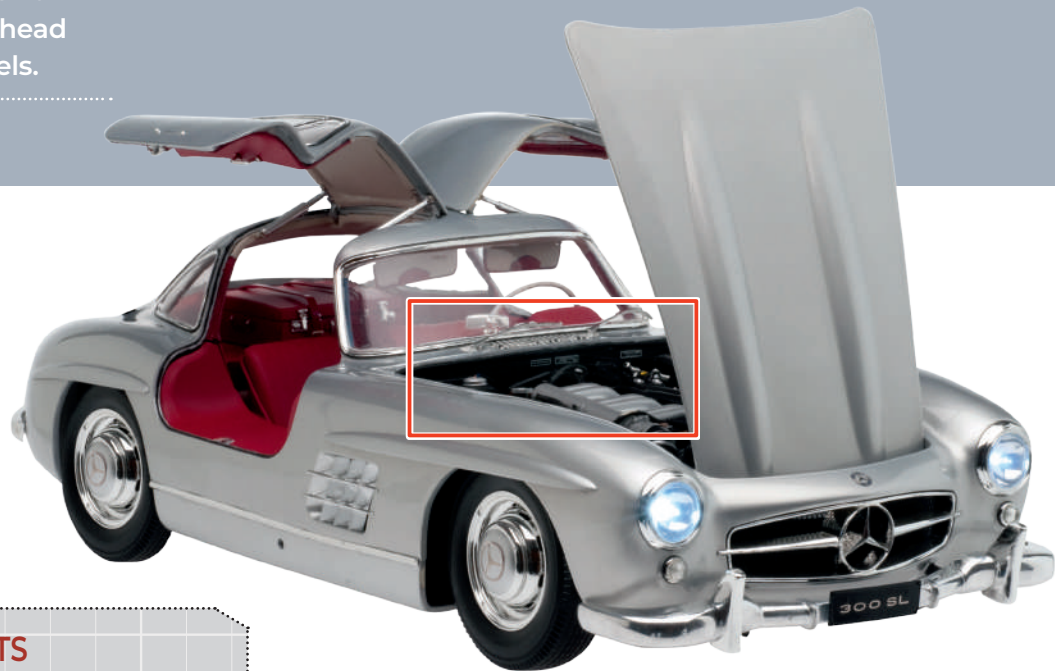
## 03 FITTING BRAKE LINE 3

Push the end of brake line 3 **25A** into the socket on the underside of the floor pan **36A** beside the driveshaft universal joint.



## STAGE 44: THE FIREWALL SUPPORT STRUTS

Insert the left and right firewall support struts through the firewall and connect them to the bulkhead frame and the inner door panels.



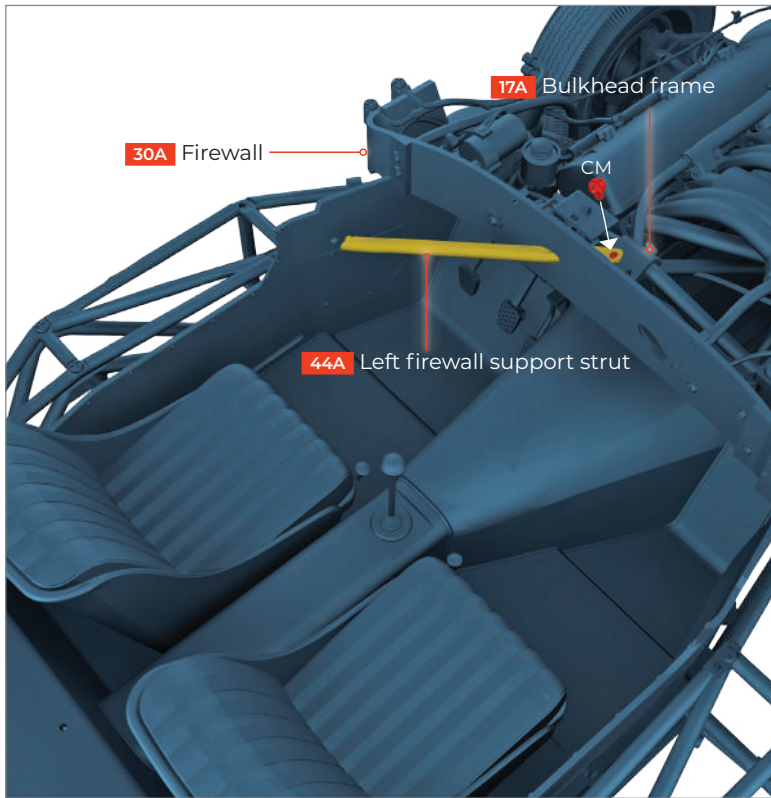
### STAGE 44 – REQUIRED PARTS

Code	Name	Quantity	Material
44A	Left firewall support strut	1	Zinc
44B	Right firewall support strut	1	Zinc
CM	Screws 2 x 4mm	2 + 1*	Iron

\* Replacement screws included



## 01 FITTING THE LEFT-SIDE FIREWALL SUPPORT STRUT



Slide the left firewall support strut **44A** – marked with an L – through the diagonal hole in the center-left of the firewall **30A** and align the screw hole at its end over the screw hole in the center of the bulkhead frame **17A**. Fix in place with a **CM** screw. Fit the pin on the other end of the left-side firewall support strut **44A** into the small hole in the side of the left side panel liner **42A** (figure 1).

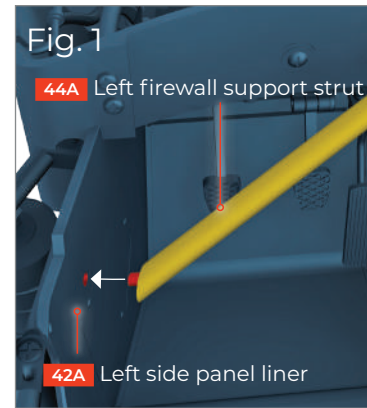
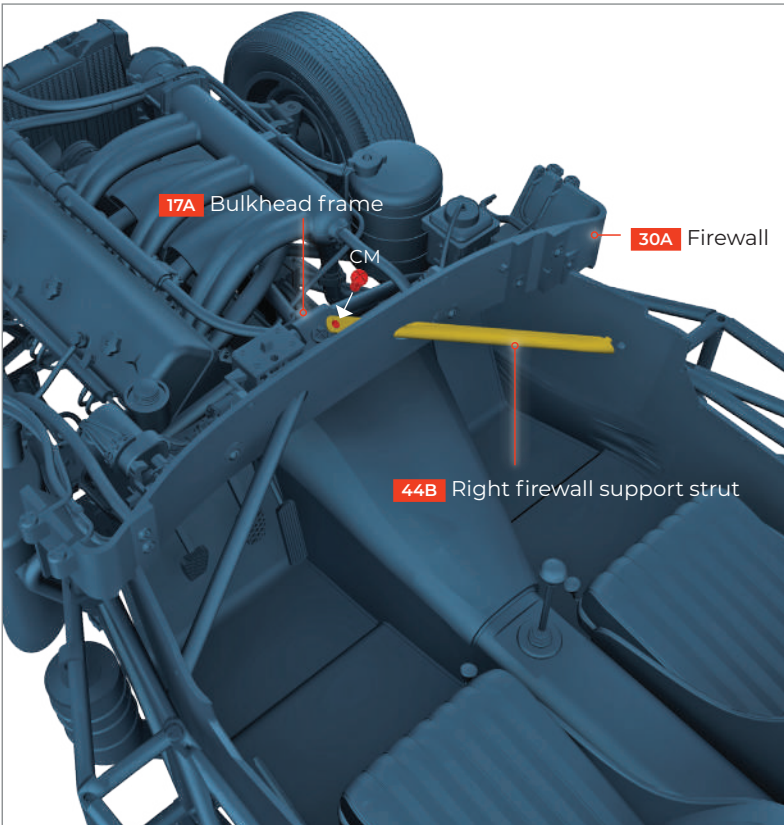


Fig. 1

**44A** Left firewall support strut

**42A** Left side panel liner

## 02 FITTING THE RIGHT-SIDE FIREWALL SUPPORT STRUT



Slide the right firewall support strut **44B** – marked with an R – through the diagonal hole in the center-right of the firewall **30A** and align the screw hole at its end over the screw hole in the center of the bulkhead frame **17A**. Fix in place with a **CM** screw. Fit the pin on the other end of the right-side firewall support strut **44B** into the small hole in the side of the right side panel liner **42B** (figure 1).

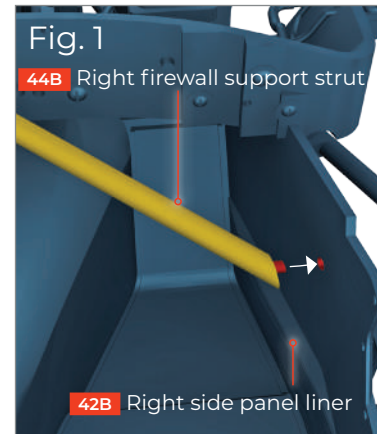


Fig. 1

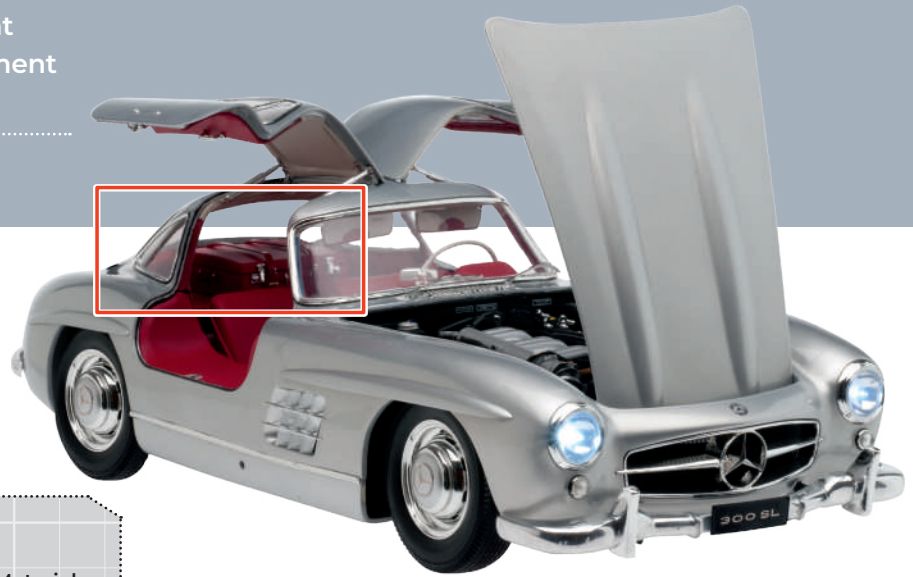
**44B** Right firewall support strut

**42B** Right side panel liner

Both firewall support struts should be positioned underneath the hood release center arm (30D).

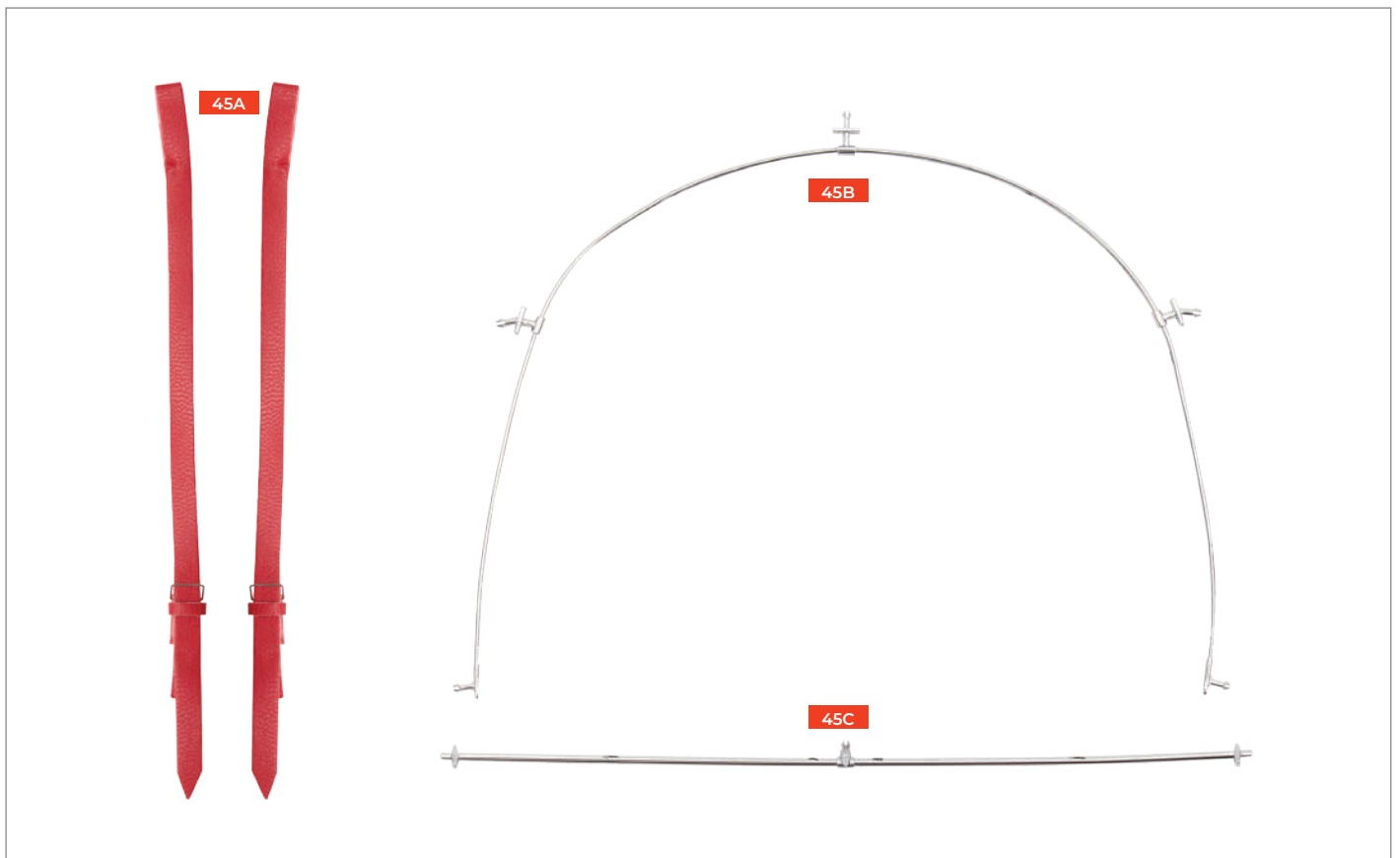
## STAGE 45: THE SUITCASE STRAPS

Fit the two suitcase retaining straps to the suitcase anchor frames and fix the front anchor frame to the luggage compartment outer panel and floor pan.



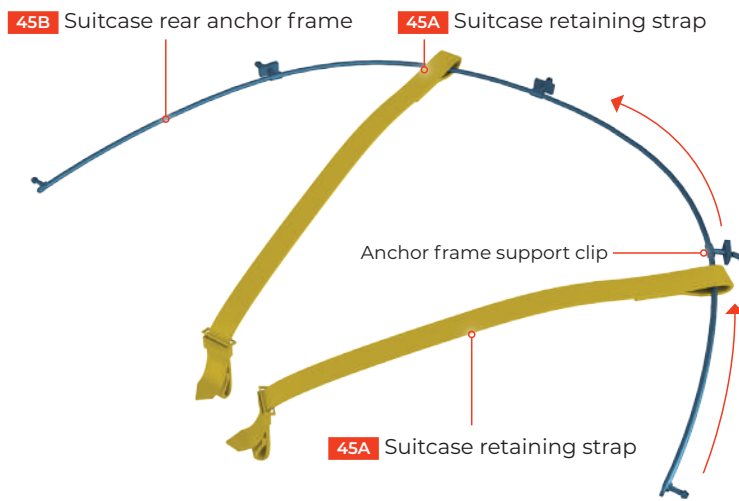
### STAGE 45 - REQUIRED PARTS

Code	Name	Quantity	Material
45A	Suitcase retaining strap	2	PVC and iron
45B	Suitcase rear anchor frame	1	ABS
45C	Suitcase front anchor frame	1	ABS



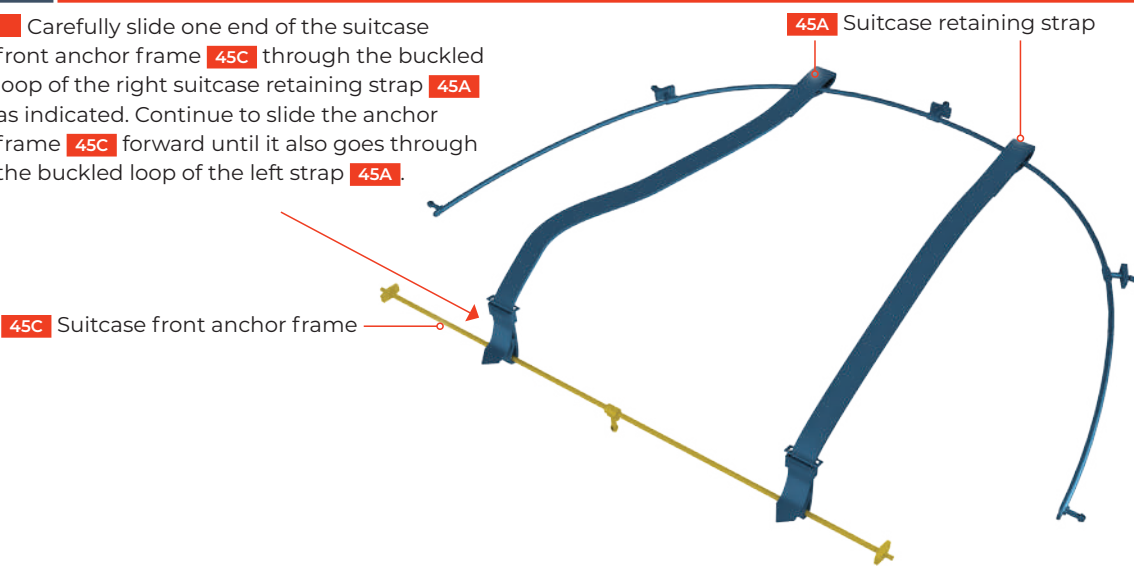
## 01 FITTING THE STRAPS TO THE REAR ANCHOR FRAME

Slide the looped end of one suitcase strap **45A** over the end of the suitcase rear anchor frame **45B**. Then carefully slip the loop in the strap past the anchor frame support clips to the position shown. Do the same with the other strap, positioning it as shown in the images. The straps should be symmetrically positioned on the anchor frame, as shown.



## 02 FITTING THE STRAPS TO THE FRONT ANCHOR FRAME

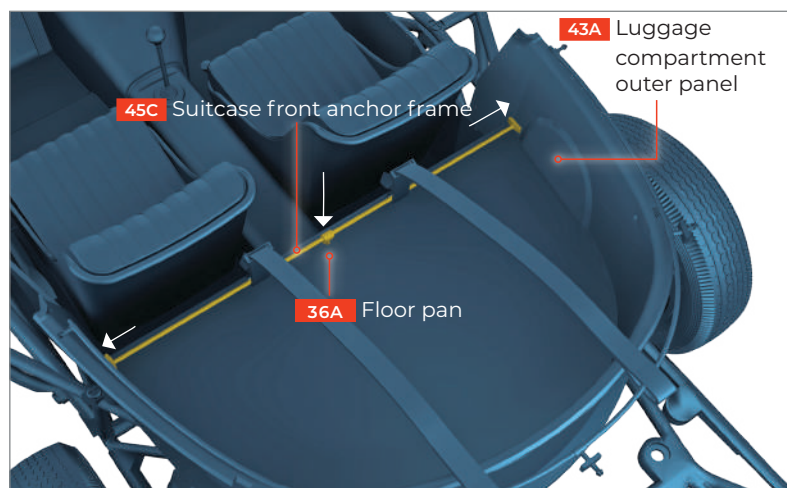
Carefully slide one end of the suitcase front anchor frame **45C** through the buckled loop of the right suitcase retaining strap **45A** as indicated. Continue to slide the anchor frame **45C** forward until it also goes through the buckled loop of the left strap **45A**.



## 03 FIXING THE FRONT ANCHOR FRAME

Push the pin at the left end of the front anchor frame **45C** into the small hole at the left side of the luggage compartment outer panel **43A**. Push the pin at the right end of the front anchor frame **45C** into the small hole at the right side of the luggage compartment outer panel **43A**. Push the pin at the center of the anchor frame through the hole in the carpet and into the hole in the floor pan **36A**.

Do NOT fix the suitcase rear anchor frame at this time.



Two suitcases are supplied in the next pack, which must be stowed before the suitcase rear anchor frame is fitted to the luggage compartment outer panel.