

A L I E N



Pack 06

BUILD INSTRUCTIONS

**STAGE 37: THE LEFT RIBS AND
RIGHT THIGH (II)**

**STAGE 38: THE LEFT RIBS AND
RIGHT THIGH (III)**

**STAGE 39: THE LEFT RIBS AND
RIGHT THIGH (IV)**

STAGE 40: THE PELVIS (I)

STAGE 41: THE RIGHT LEG (IV)

STAGE 42: THE RIGHT FOOT AND RIBCAGE

STAGE 43: THE RIGHT FOOT

STAGE 44: THE RIGHT HAND AND SKULL (I)



Before you start...

To help you get the best out of building the Xenomorph, we've prepared a modellers checklist with hints, tips and advice from our expert. The information below is aimed at making your build as enjoyable and professional as possible right from the start.

Make sure you have good ventilation when using adhesives and to replace caps firmly.

Always use the correct adhesives and always follow manufacturers guidance.

Apply glue sparingly and use a cocktail stick to apply so that you don't use too much nor apply the glue too heavily.

Work in a well lit area. Use an anglepoise lamp or similar on your work bench to ensure you have good light whenever you're at work.

Organise storage – stackable, labeled containers like old clean takeaway or ice-cream plastic tubs with lids are perfect. Small parts which may not be needed until a later stage should be kept in clear plastic and labeled bags.

Use masking tape to hold parts temporarily in place.

Only use the correct size screwdriver that fits the screw head firmly.

Cut parts from a sprue (framework) with side cutters or a craft knife. Side cutters tend to be easiest.

Use a magnet to help find screws that have fallen on the floor.

Leave parts in the paper bags supplied until they are needed. You can write a note of the stage and part on the paper bag too.

If a screw is tight, try turning a half turn forwards followed by a quarter turn backwards. Also, it can sometimes help to temporarily fit a screw into its hole before assembling the parts.

But most of all, enjoy your build!



WARNING: Some parts are assembled using magnets. These magnets can cause serious injury if they are swallowed. Keep away from children. If you suspect a magnet has been swallowed, seek medical help straight away.

All parts belong to a kit. Collectors item for adults.

Not suitable for children under 14.

Some parts may have sharp edges, please handle them with care.

The installation of electronic parts must always be carried out by an adult. When replacing batteries, use the same type of batteries.

Please ensure that the battery compartment is securely fastened before you use the model.

Used batteries should be recycled.

Please make sure to check with your local authority how batteries should be disposed of in your area.

Batteries can present a choking danger to small children and may cause serious harm if ingested. Do not leave them lying around and keep any spare batteries locked away at all times.

STAGE 37: THE LEFT RIBS AND RIGHT THIGH (II)

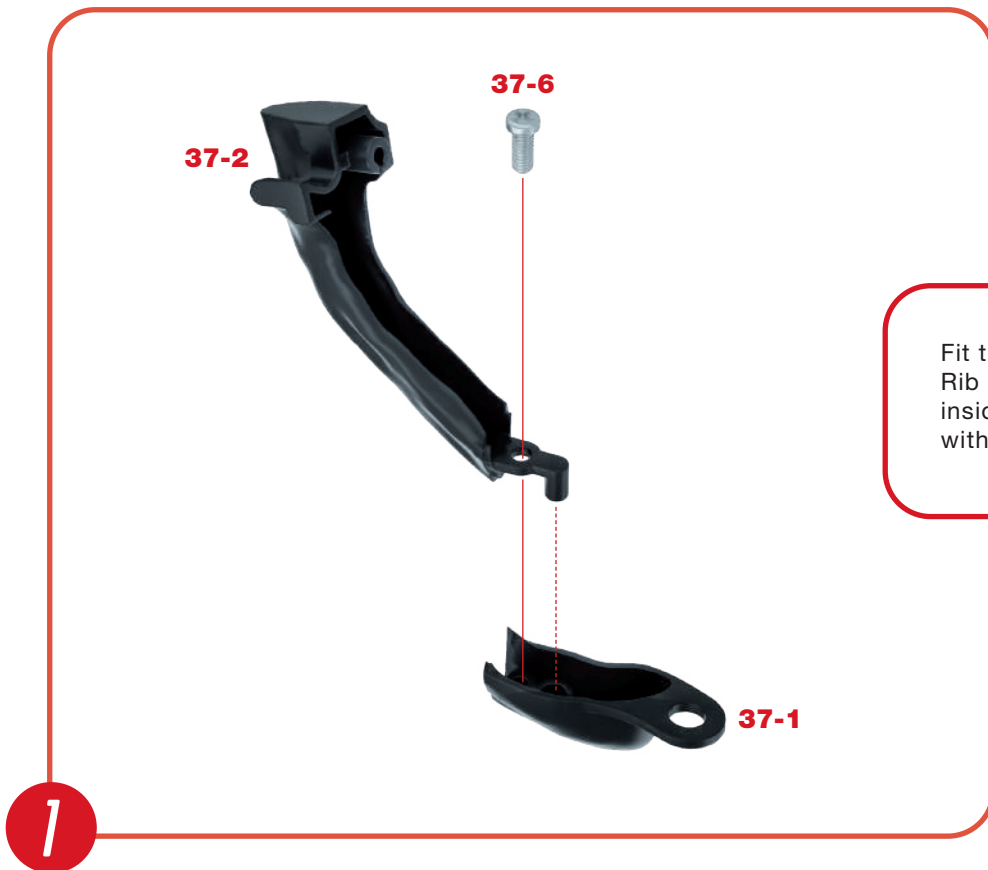
In this stage you will continue to work on the left rib and right thigh assemblies.



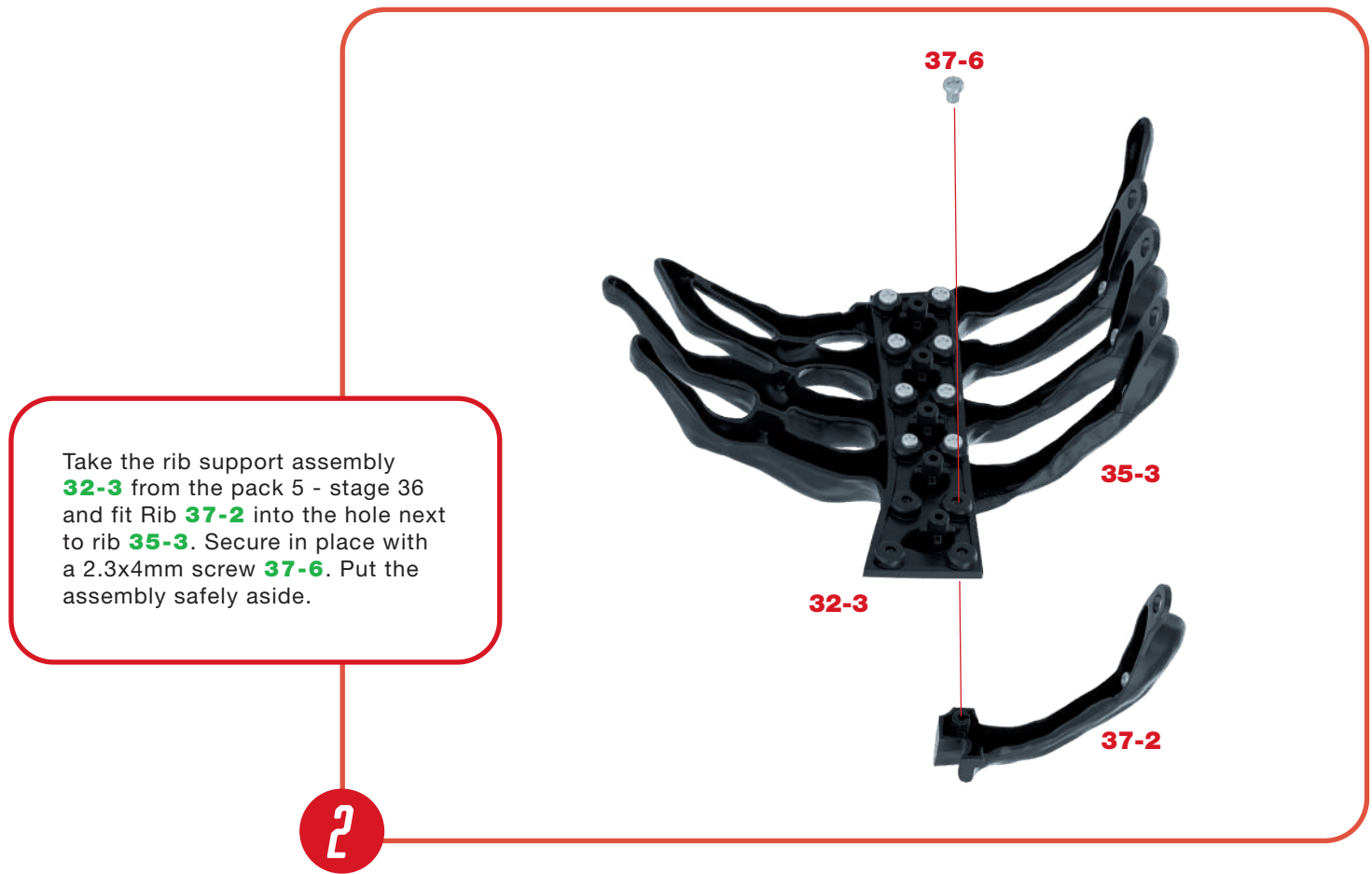
PARTS SUPPLIED

Ref.	Name	Qty.	Ref.	Name	Qty.
37-1	Left Rib	1	37-4	Pipe D2 (right thigh)	1
37-2	Left Rib	1	37-5	Magnets	4
37-3	Pipe D1 (right thigh)	1	37-6	2.3x4mm screw (1 spare)	3

STAGE 37: THE LEFT RIBS AND RIGHT THIGH (II)



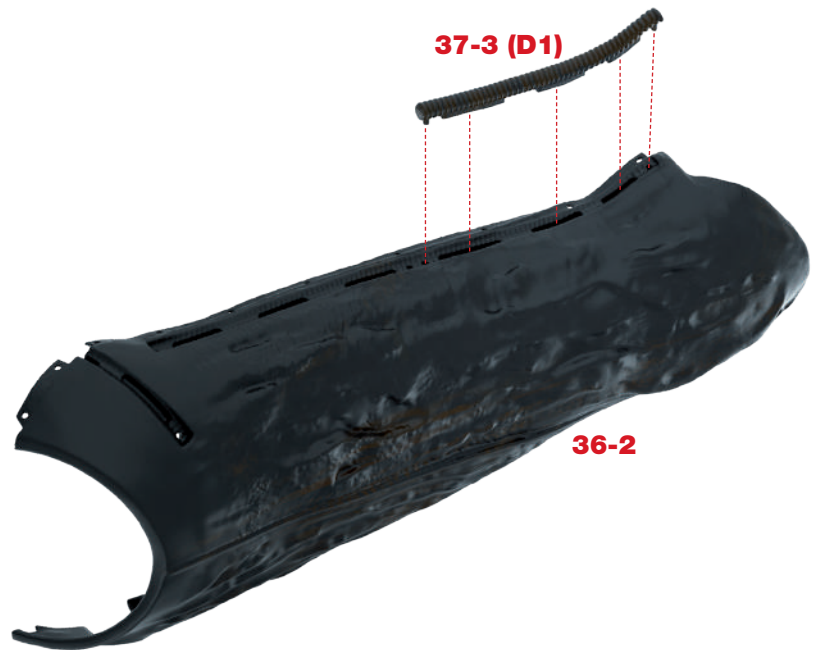
Fit the peg at the end of the Left Rib **37-2** into the raised socket inside Rib **37-1** and fix in place with a 2.3x4mm screw **37-6**.



Take the rib support assembly **32-3** from the pack 5 - stage 36 and fit Rib **37-2** into the hole next to rib **35-3**. Secure in place with a 2.3x4mm screw **37-6**. Put the assembly safely aside.

STAGE 37: THE LEFT RIBS AND RIGHT THIGH (II)

Take the Right Thigh Skin **36-2** supplied with pack 5 - stage 36 and test-fit Pipe D1 **37-3** in place, as shown. When sure of a good fit, apply a little glue to the tabs and pegs on the Pipe D1 **37-3** and hold firmly in place until the glue has set.



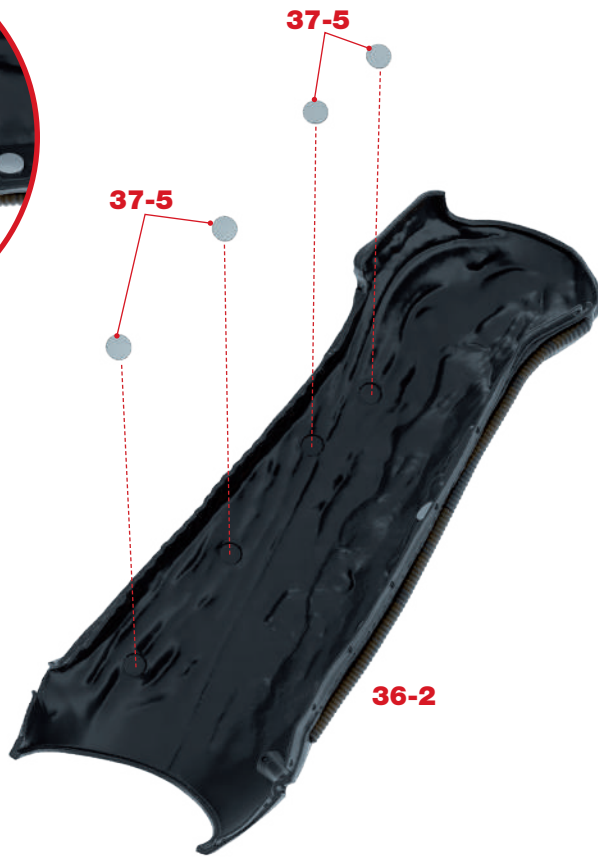
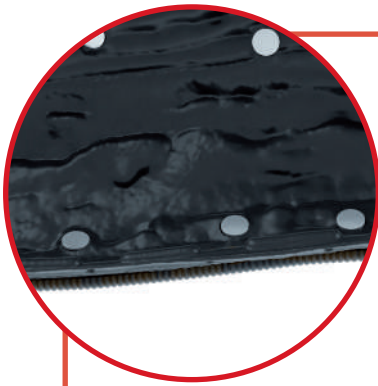
3



Next, test-fit Pipe D2 **37-4** in place so that it continues along from Pipe D1 **37-3**. When sure of a good fit, apply a little glue to the tabs and pegs on Pipe D2 **37-4** and secure in place. Again, hold firmly in place until the glue has set.

4

STAGE 37: THE LEFT RIBS AND RIGHT THIGH (II)



Turn the Thigh Skin **36-2** over and note the position of the circular recesses for the magnets, as shown. Apply a little superglue to the recesses and firmly fix the four Magnets **37-5** in place. The polarity of the magnets doesn't matter at this stage.

5

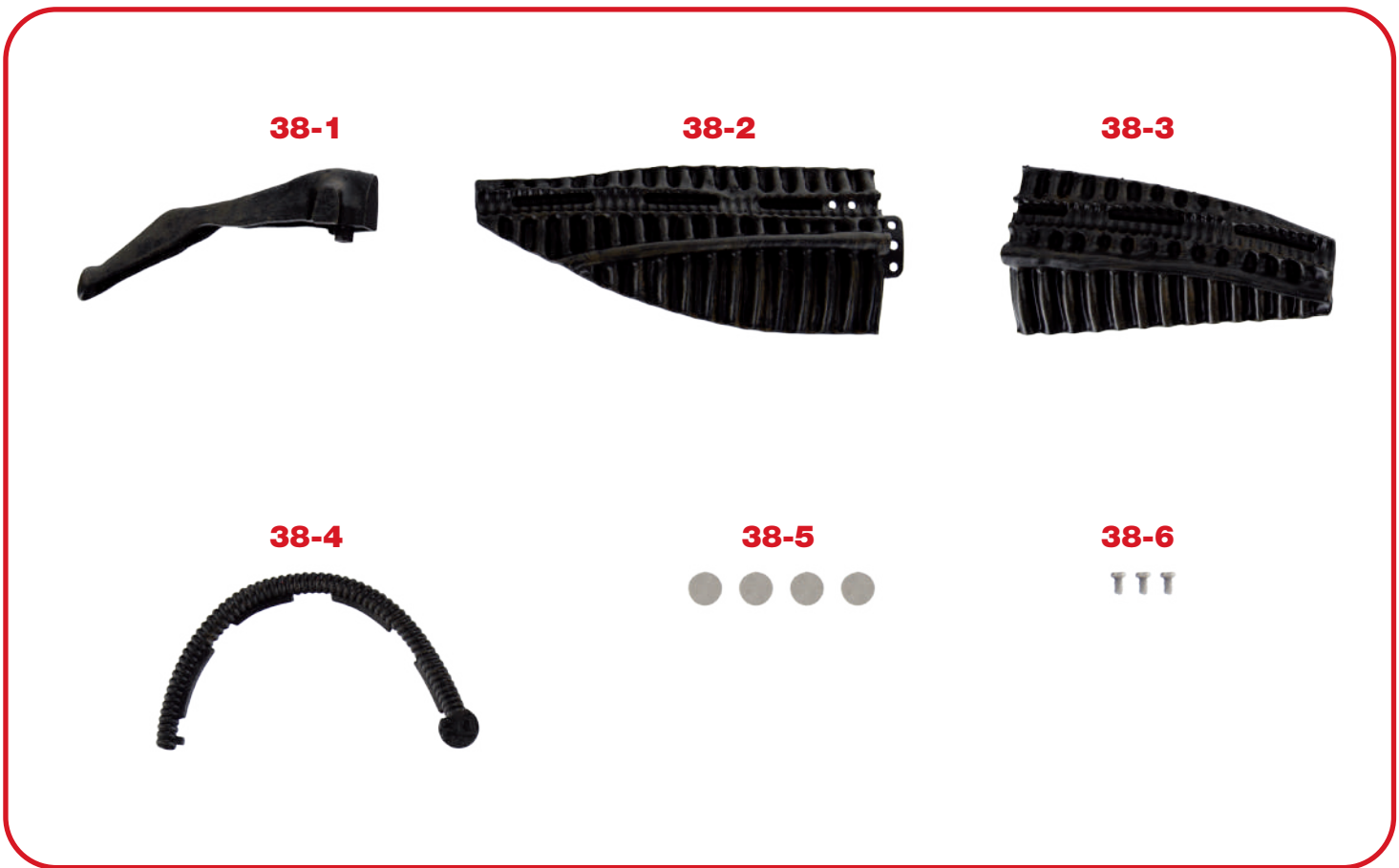
STAGE 37 IS COMPLETE



THE NINTH LEFT RIB HAS BEEN ADDED AS WELL AS PIPES AND MAGNETS BEING FITTED TO THE THIGH SKIN.

STAGE 38: THE LEFT RIBS AND RIGHT THIGH (III)

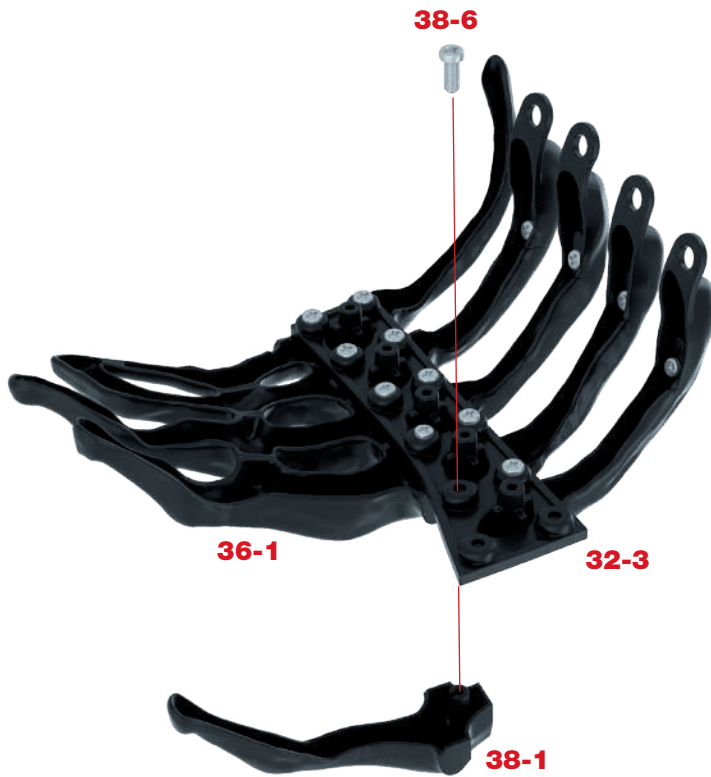
In this stage you will continue to build the left rib section and work on the right femur and thigh.



PARTS SUPPLIED

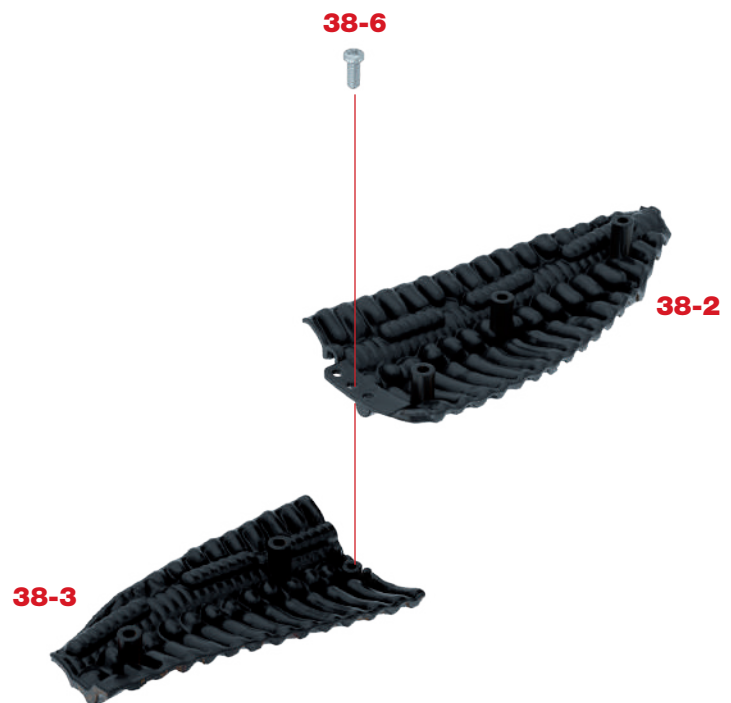
Ref.	Name	Qty.	Ref.	Name	Qty.
38-1	Left Rib	1	38-4	Pipe D3 (right thigh)	1
38-2	Thigh Protector	1	38-5	Magnets	4
38-3	Thigh Protector	1	38-6	2.3x4mm screws (1 spare)	3

STAGE 38: THE LEFT RIBS AND RIGHT THIGH (III)



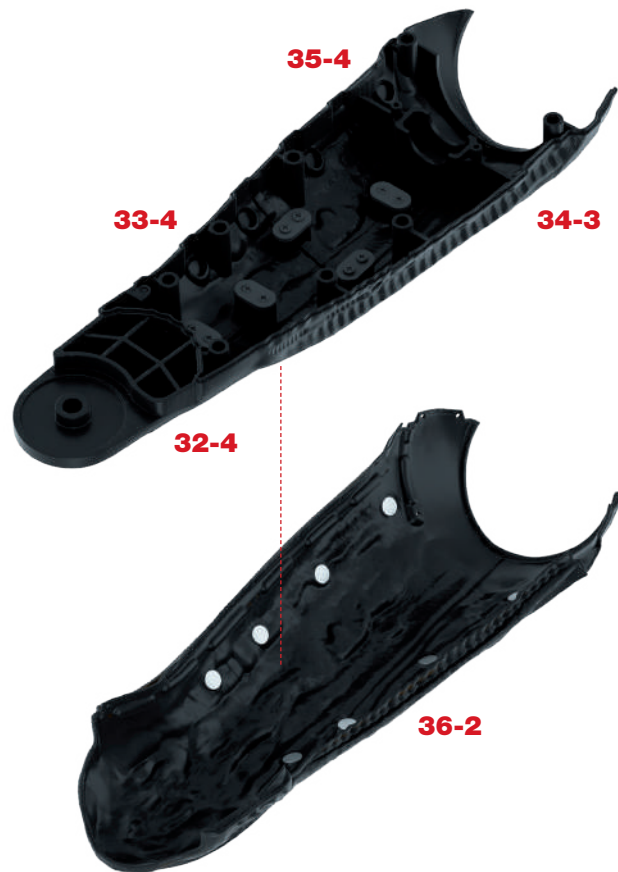
Take the support assembly **32-3** from the previous stage. Fit the screw socket on the Rib **38-1** into the hole next to rib **36-1**. Fix in place with a 2.3x4mm screw **38-6**. Keep the assembly safely aside until it is needed in the next stage.

Next, the Thigh Protector parts **38-2** and **38-3** are fitted together. After test fitting, as shown, fix the two parts together with a 2.3x4mm screw **38-6**. Put the assembly safely aside.

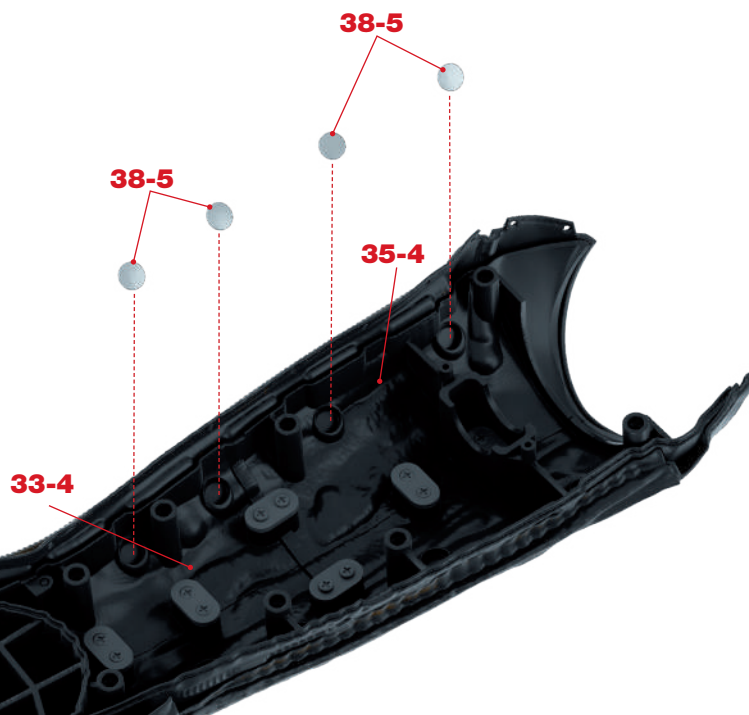


STAGE 38: THE LEFT RIBS AND RIGHT THIGH (III)

Magnets are now fitted to the femur. Take the thigh skin **36-2** from pack 5 - stage 36 and the femur assembly **33-4/35-4** which was last worked on in pack 5 - stage 35. Making sure the recesses for the magnets in assembly **33-4/35-4** align with the magnets below, fit the femur assembly **33-4/35-4** into the thigh skin **36-2**.



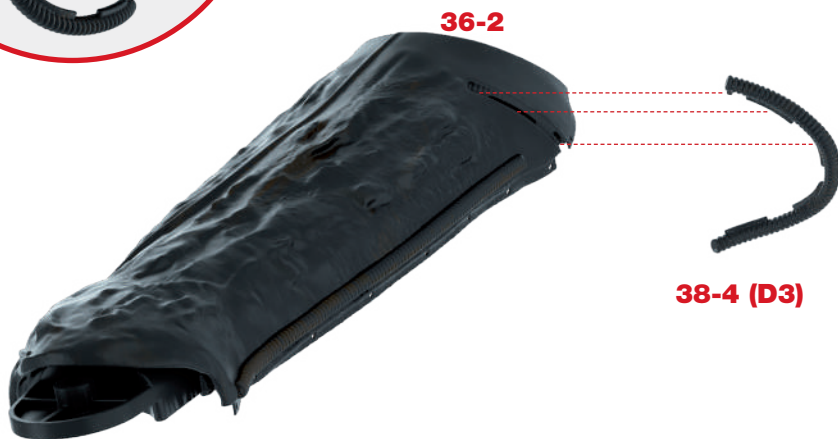
3



Place the four Magnets **38-5** into the circular recesses in femur parts **33-4** and **35-4**, as shown. Before they are glued in place check which way round they should be fitted. The polarity of each magnet needs to be arranged so that it is attracted to the corresponding magnet below. Once you are happy with the orientation of each magnet, firmly glue them in place.

4

STAGE 38: THE LEFT RIBS AND RIGHT THIGH (III)



Turn the thigh skin **36-2** over and test-fit the Pipe D3 **38-4** into the slots shown on left. Note that there is a peg at one end of Pipe D3 **38-4** which fits into a corresponding hole in skin part **36-2**. Only the first one and a half tabs on the pipe are fixed in place at this stage. Also, study the inset photograph which shows more detail. When sure of a good fit, secure in place with a little glue.

5

STAGE 38 IS COMPLETE



THE TENTH LEFT RIB HAS BEEN ADDED AS WELL AS PIPES AND MAGNETS BEING FITTED TO THE THIGH SKIN.

STAGE 39: THE LEFT RIBS AND RIGHT THIGH (IV)

In this stage you will continue to work on the left rib and right thigh assemblies.



PARTS SUPPLIED

Ref.	Name	Qty.	Ref.	Name	Qty.
39-1	Left Rib	1	39-4	Pipe D5 (right thigh)	1
39-2	Left rib	1	39-5	Magnets	4
39-3	Pipe D4 (right thigh)	1	39-6	2.3x4mm screws (1 spare)	3

STAGE 39: THE LEFT RIBS AND RIGHT THIGH (IV)

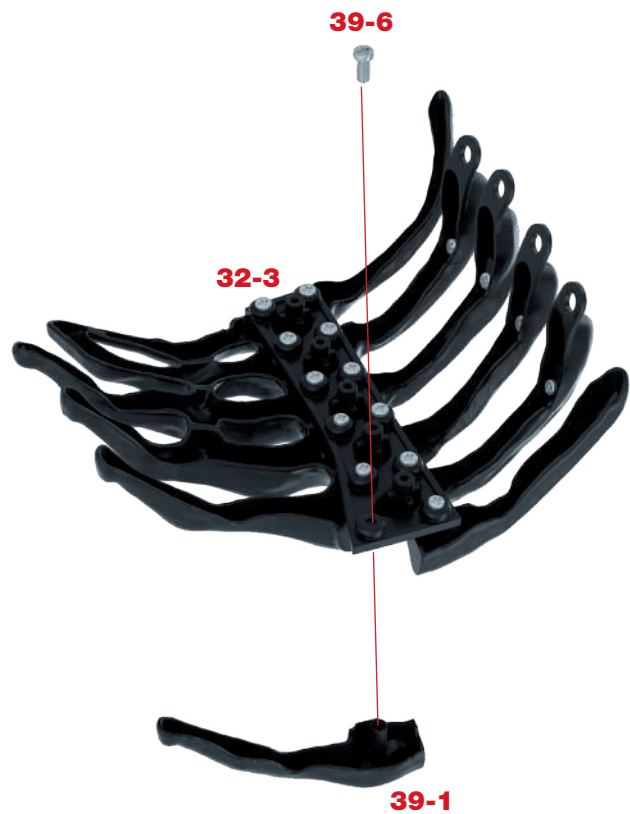
1



Take the rib support assembly **32-3** and fit the raised screw socket on Rib **39-2** into the hole next to rib **37-2**. Fix in place with a 2.3x4mm screw **39-6**.

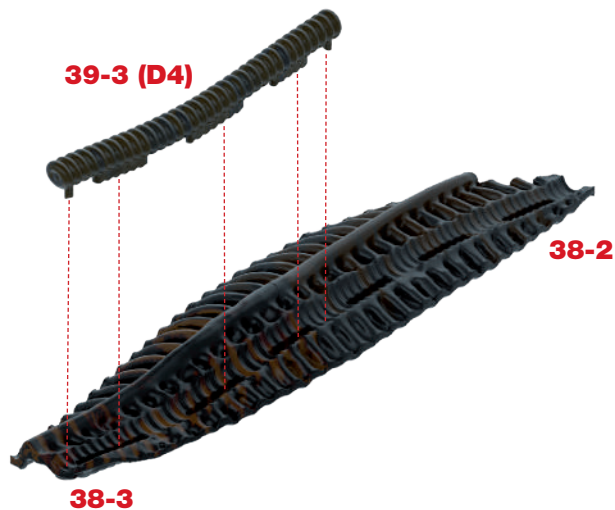
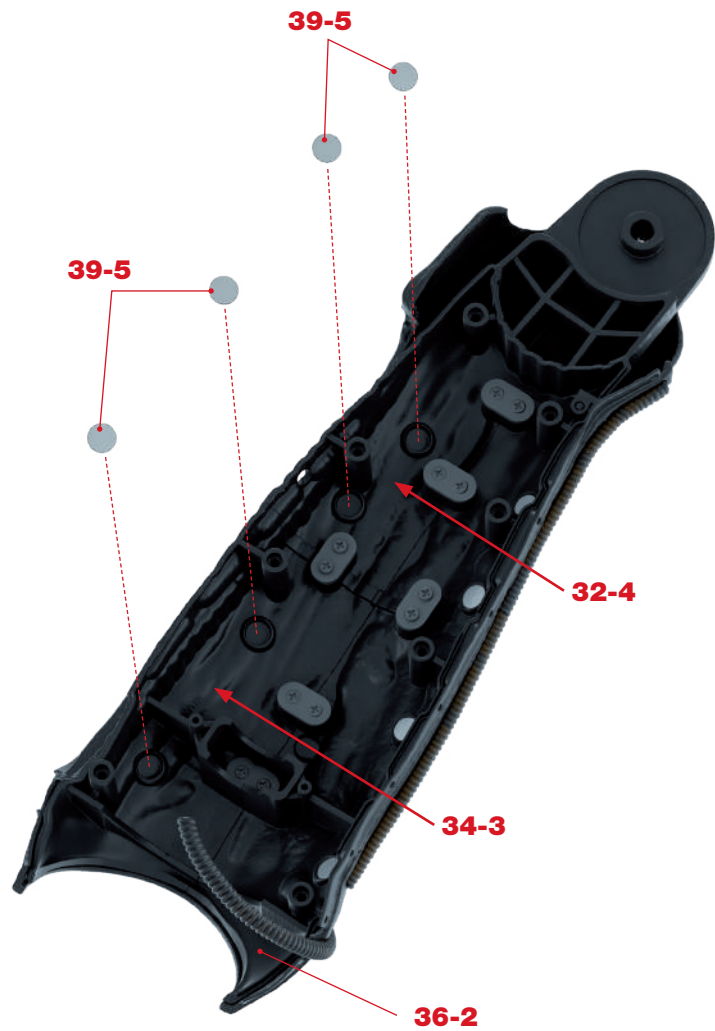
2

Fit the final Left Rib **39-1** into the remaining hole in support assembly **32-3** and secure in place with a 2.3x4mm screw **39-6**. Store the assembly safely until it is needed in a later stage.



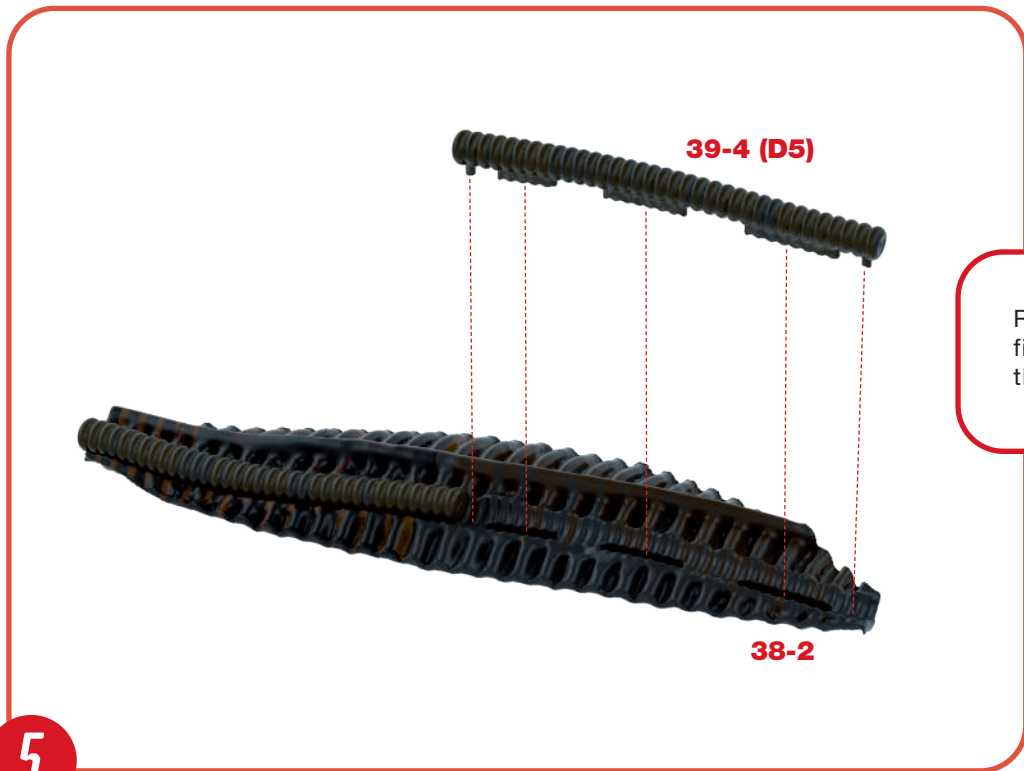
STAGE 39: THE LEFT RIBS AND RIGHT THIGH (IV)

In a similar way to steps 3 and 4 in the previous stage, further magnets are to be fitted to the inside of the femur assembly **32-4/34-3**. With the femur assembly **32-4/34-3** resting inside the skin **36-2** place four Magnets **39-5** into the circular recesses in femur parts **32-4** and **34-3**. As before, check that they are the correct way round so that they are attracted to the magnets underneath. When certain they are correctly fitted, firmly glue into place.



Take the thigh protector **38-2/38-3** from the previous stage. Test-fit the Pipe D4 **39-3** in place, as shown, noting that there is a peg at each end of the pipe. When certain of a good fit, apply a little glue to the tabs and pegs and fix firmly in place.

STAGE 39: THE LEFT RIBS AND RIGHT THIGH (IV)



Repeat the previous step to fix Pipe D5 **39-4** in place on the thigh protector **38-2**.

5

STAGE 39 IS COMPLETE

THE LAST OF THE LEFT RIBS HAVE BEEN ADDED, MAGNETS FITTED AND TWO MORE PIPES HAVE BEEN ATTACHED.



STAGE 40: THE PELVIS (I)

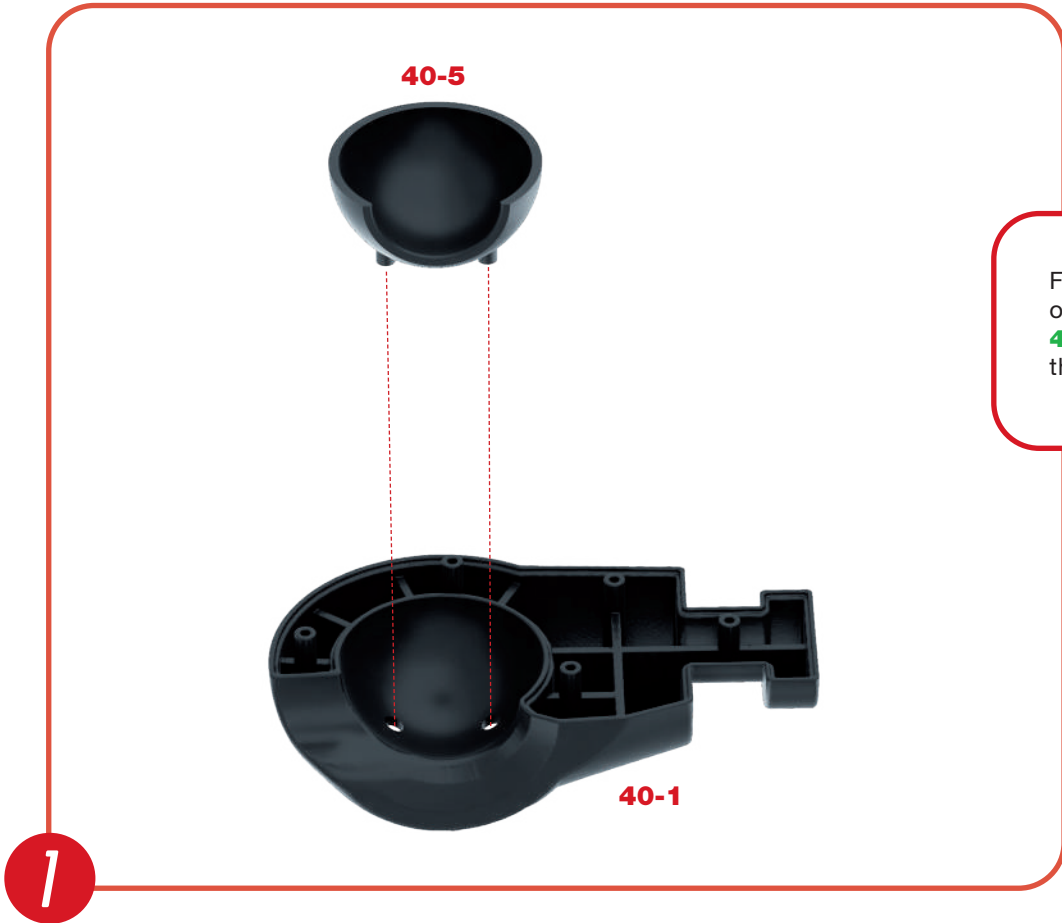
In this stage you will start to build the Xenomorph's pelvis.



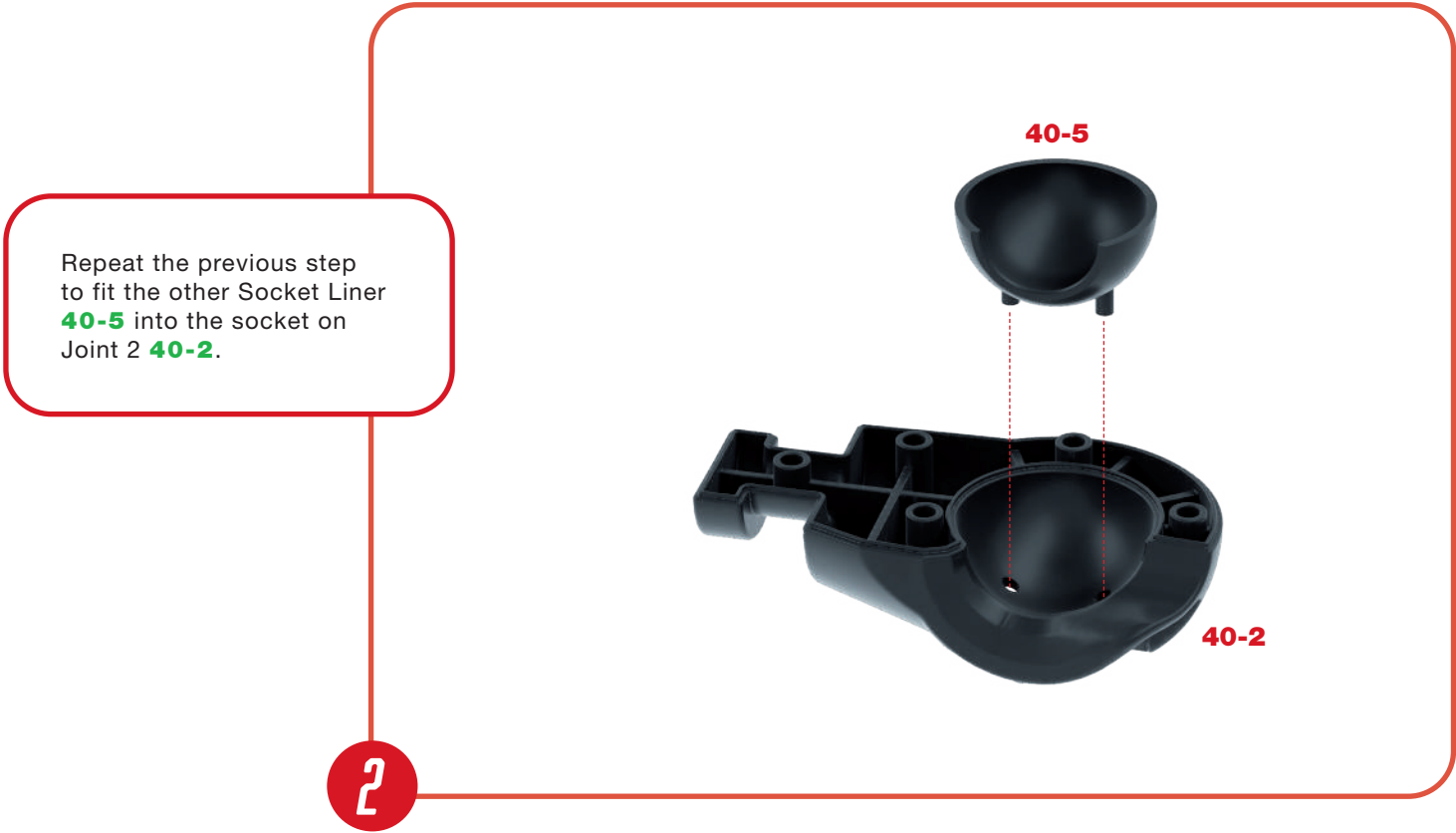
PARTS SUPPLIED

Ref.	Name	Qty.	Ref.	Name	Qty.
40-1	Joint 1	1	40-5	Socket Liner	2
40-2	Joint 2	1	40-6	2.3x6mm screw (1 spare)	5
40-3	Grip	1	40-7	3x22mm screw (1 spare)	3
40-4	Ball Joint	1	40-8	Nuts	3

STAGE 40: THE PELVIS (I)



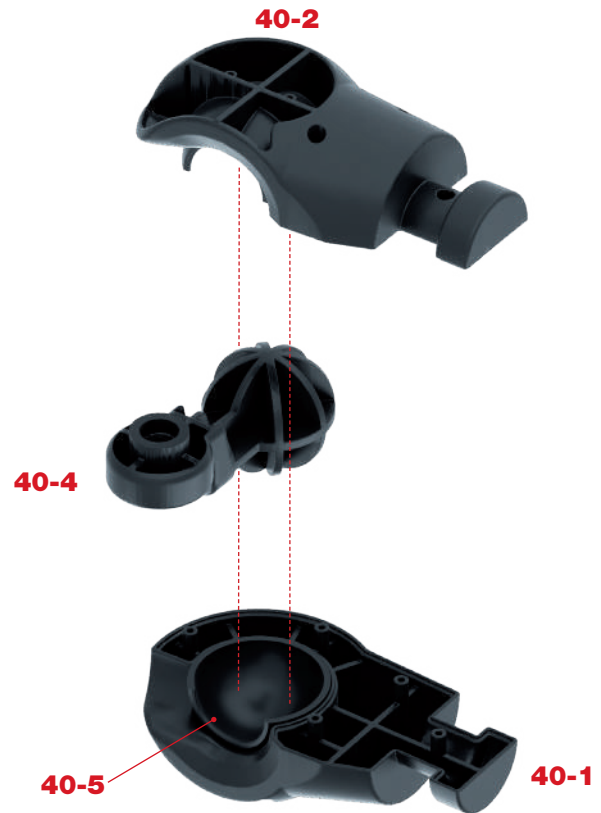
Fit the two pegs on one of the Socket Liners **40-5** into the holes in the Joint 1 **40-1**.



Repeat the previous step to fit the other Socket Liner **40-5** into the socket on Joint 2 **40-2**.

STAGE 40: THE PELVIS (I)

Take the Ball Joint **40-4** and fit the larger end into the insert assembly **40-1/40-5**, as shown. Take time to study the diagram and make sure that part **40-4** is fitted the correct way round. Next, cover this with the other joint assembly **40-2/40-5**.



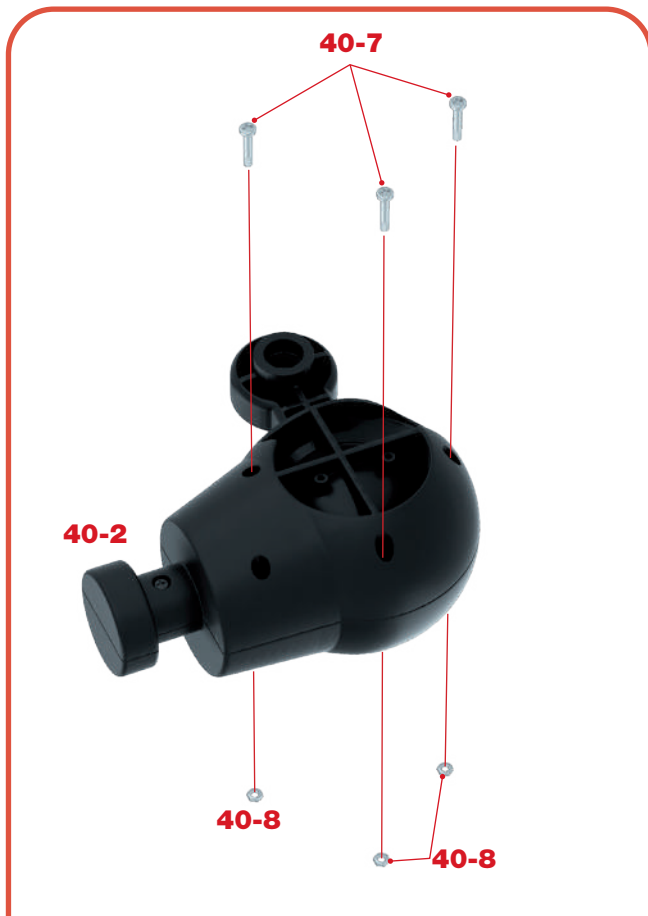
3



When certain the sections are neatly joined, fix the assembly together by using two 2.3x6mm screws **40-6**, as shown. Take care not to over-tighten the screws.

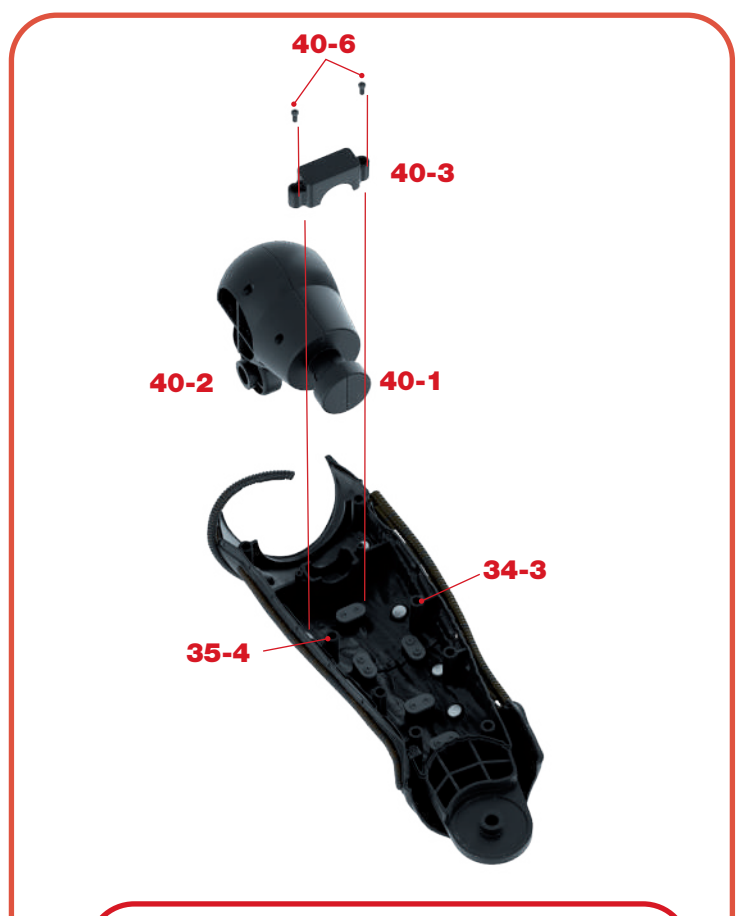
4

STAGE 40: THE PELVIS (I)



5

Insert three 3x22mm screws **40-7** into the remaining holes in Joint 2 **40-2**. These will be secured in place from underneath the assembly by using three nuts **40-8** which fit into hexagonal recesses. Take care not to over-tighten the screws as it is important that the joint is free to move, yet stiff enough to hold the leg in place.



6

Take the right thigh assembly **34-3/35-4** which was worked on in the previous stage. Fit the shaft near the end of the joint assembly **40-1/40-2** over the semi-circular bridge formed by femur parts **34-3/35-4**. Secure these parts together by placing the Grip **40-3** over the square top to the shaft on joint assembly **40-1/40-2**. Note that the grip is not symmetrical and can only be fitted one way round. Secure the grip in place using two 2.3x6mm screws **40-6**.

STAGE 40 IS COMPLETE



THE RIGHT HIP JOINT HAS BEEN ASSEMBLED AND FITTED TO THE THIGH.

STAGE 41: THE RIGHT LEG (IV)

In this stage you will continue to build the Xenomorph's right leg - working on the tibia, femur and knee.



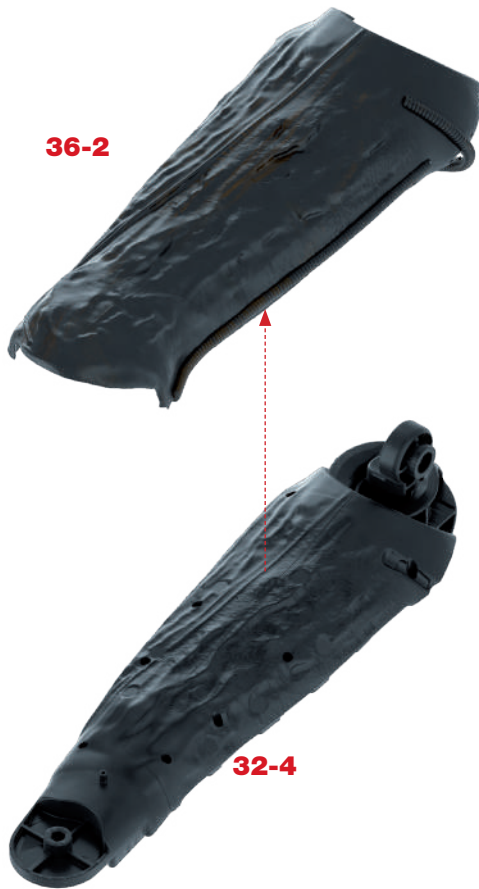
PARTS SUPPLIED

Ref.	Name	Qty	Ref.	Name	Qty
41-1	Thigh Protector	1	41-5	3x22mm screw	1
41-2	Thigh Protector	1	41-6	Nut	1
41-3	Knee Washers	2	41-7	2x4mm Flange screw (1 spare)	5
41-4	Knee	1	41-8	2.3x6mm screw (1 spare)	9

STAGE 41: THE RIGHT LEG (IV)



Take the right calf assembly which was last worked on in pack 4 - stage 24. Detach the two outer Skins **14-1 (A)** and **4-4 (B)** as well as the Calf Protector **4-6/22-1 (C)**. Keep these outer parts safely to one side until they are needed again in step 7.



Take the assembly **36-2/32-4** which was worked on in the last stage and separate the Outer Skin **36-2** from the femur assembly **32-4**. Put to one side until it is needed in the next stage.

STAGE 41: THE RIGHT LEG (IV)



29-2

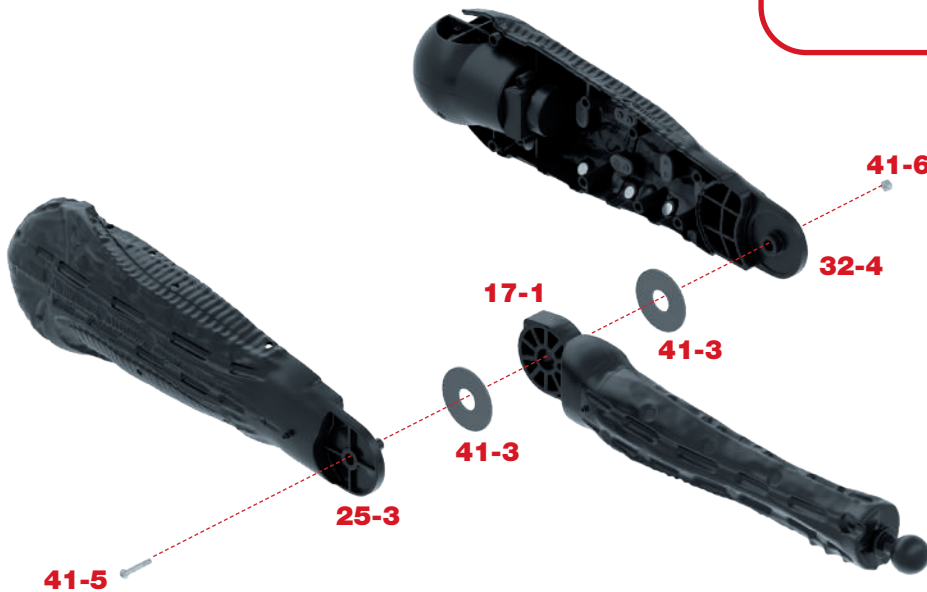


25-3

Take the thigh assembly **25-3/29-2** from pack 5 - stage 31 and separate the outer skin **29-2** from the femur assembly **25-3**. Again, put to one side until it is needed in the next stage.

Study the diagram below carefully to see how the calf assembly **17-1** is fitted between the femur assemblies **25-3** and **32-4**. Firstly, fit the Knee Washers **41-3** over the raised sockets on parts **25-3** and **32-4**. After making sure all of the parts are the correct way round, fit them together (see inset diagram). Insert the screw **41-5** through the joint, as shown by the red line, and secure in place with the Nut **41-6** which locates in a hexagonal recess in part **32-4**.

3



41-6

32-4

17-1

41-3

41-3

25-3

41-5

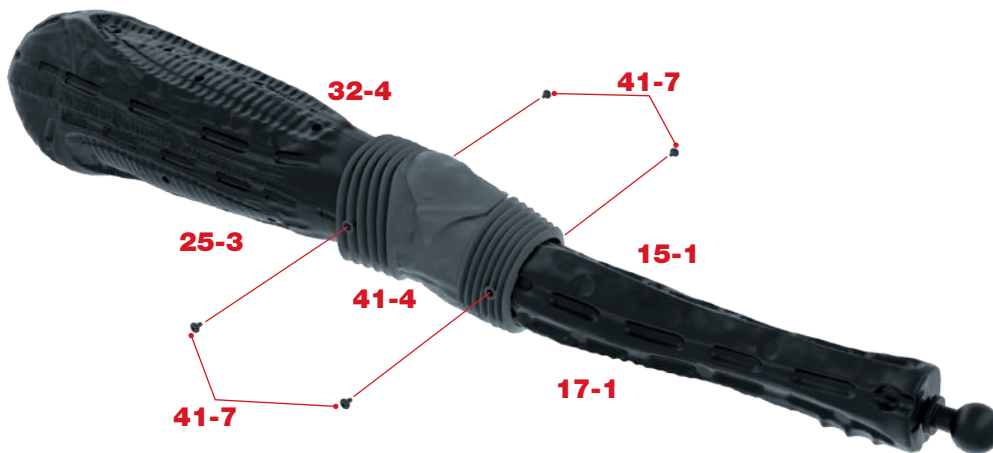
4

STAGE 41: THE RIGHT LEG (IV)



5

Carefully study the Knee **41-4** and the diagrams on the left in preparation for joining the seam. There are pegs on one side of the seam and corresponding holes along the other. After test-fitting the parts together, add a little glue along the join (green line on the inset diagram) and firmly secure the two sides together. Make sure the glue has fully set before moving on to the next instruction. Next, slide the Knee **41-4** over the middle part of the right leg so that the raised sockets in parts **25-3/16-1** (circled) align with the holes in Knee **41-1** (arrows). Whilst sliding into position, the end of the Knee **41-4** may need to be lifted over the raised sockets with a screwdriver, or similar.



6

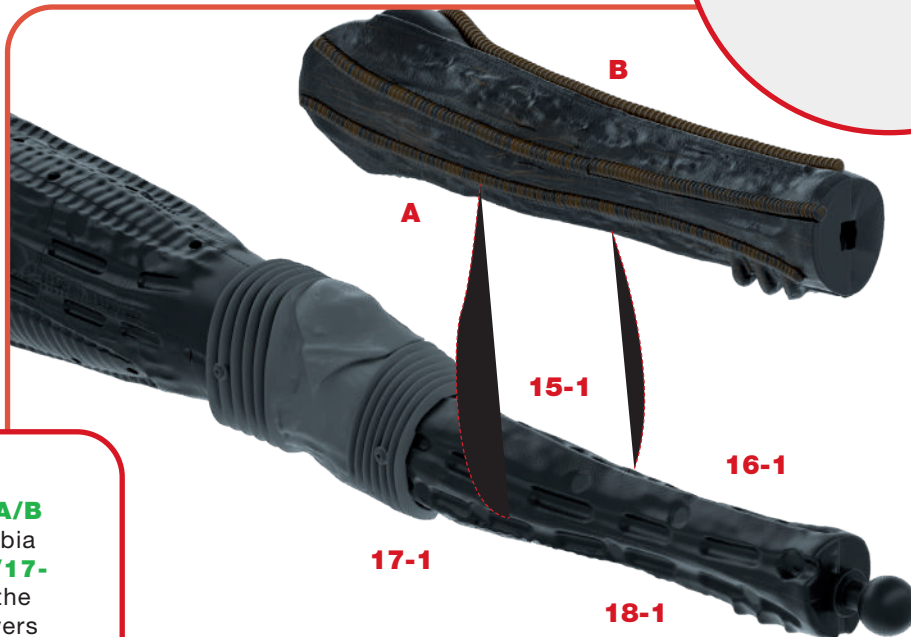
Once the Knee **41-4** is in the correct position, use four 2x4mm flanged screws **41-7** to fix it in place. Take care not to over-tighten these.

STAGE 41: THE RIGHT LEG (IV)



Take the outer skin assemblies A and B, put aside in step 1, ready to join them together. There are pegs along the edge of part **4-4 (B)** which fit into corresponding holes in part **14-1 (A)**. After test-fitting the parts together, apply a little glue to the pegs and contact areas (green lines) and hold firmly together until the glue has set.
Tip: Glue just two or three of the pegs in place and allow the glue to set before moving on to the next set of pegs.

7



Fit the skin assembly **A/B (4-4/14-1)** over the tibia assembly **15-1/16-1/17-1/18-1**, making sure the skin is central and covers the tibia, as shown in the inset (top right).

8

STAGE 41: THE RIGHT LEG (IV)

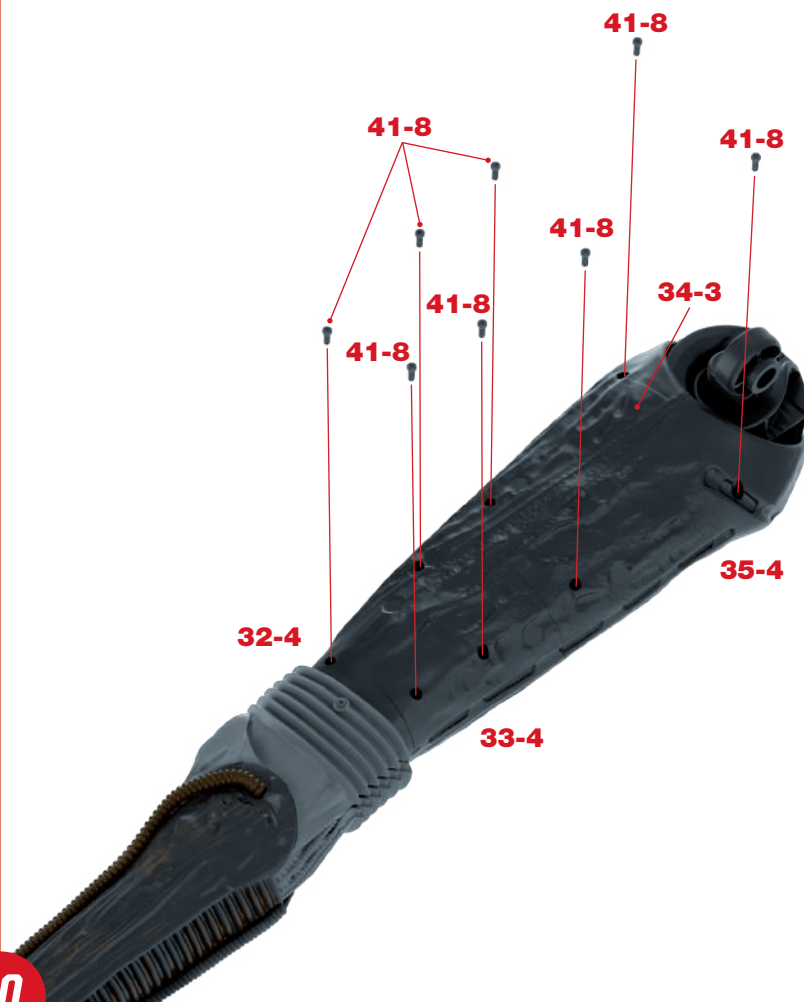


Turn the tibia assembly over and study the inset (left) and diagram of the completed stage on page 7 to see how the skin **A/B** and calf protector **C** are fitted. After making sure that the skin is central, glue the three ridges at the join (circled) together. The calf protector **C** is fitted over the edges of the skin **A** and **B**. The skin **A/B** may need to be stretched to ensure the edge fits under the calf protector **C**. Apply a little glue to the contact areas of each edge (green lines) and secure in place. Hold the parts firmly in place until the glue has set.

EXPERT TIP:

You may find it easier to glue one side in place and then, starting at the foot end, stretch the other side into place. It may further help to glue just the lower section before the upper section. If the skin is difficult to stretch, gently warming it with a hairdryer may help.

Finally, join the two halves of the femur **32-4/33-4/34-3/35-4** together and secure in place using eight 2.3x6mm screws **41-8**, as shown.



STAGE 41: THE RIGHT LEG (IV)

STAGE 41 IS COMPLETE

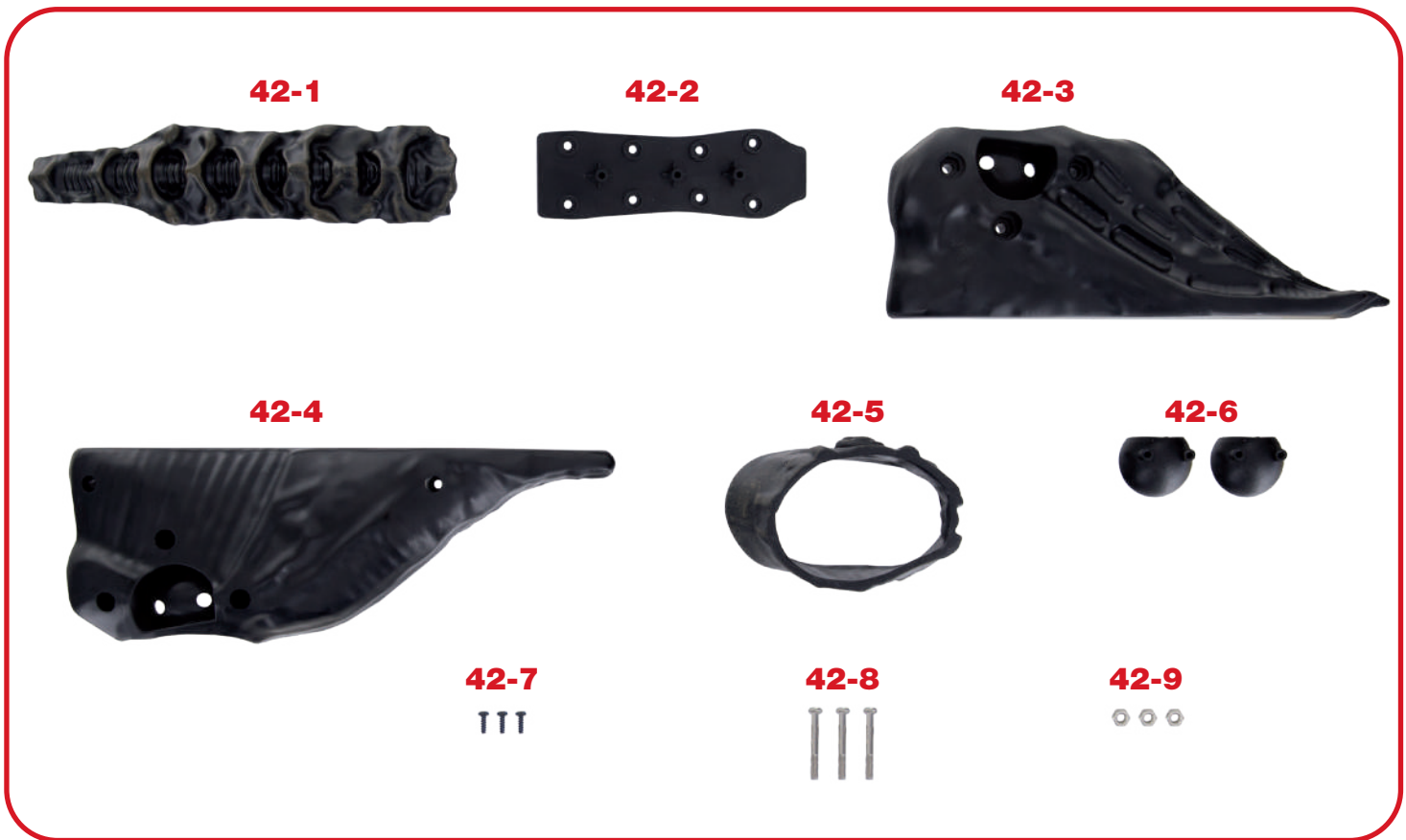


THE RIGHT TIBIA AND FEMUR HAVE BEEN JOINED AND THE TIBIA SKIN, CALF PROTECTOR AND KNEE COVERING HAVE BEEN FITTED.

! Keep the Thigh Protectors safely aside until they are needed in the next stage.

STAGE 42: THE RIGHT FOOT AND RIBCAGE

In this stage you will start to build the right foot and assemble the left and right ribs.



PARTS SUPPLIED

Ref.	Name	Qty.	Ref.	Name	Qty.
42-1	Rib Support	1	42-6	Joint Liner	2
42-2	Rib Support	1	42-7	2.3x6mm screw (1 spare)	3
42-3	Right Foot	1	42-8	3x22mm screw	3
42-4	Right Foot	1	42-9	Nut	3
42-5	Ankle Collar	1			

STAGE 42: THE RIGHT FOOT AND RIBCAGE



Take the thigh skin assemblies **36-2** and **29-2** from the previous stage and test-fit them together. There are pegs along the edge of part **29-2** which fit into corresponding holes along the edge of part **36-2**. When sure of a good fit, apply a little glue to the pegs and contact areas and secure firmly together. You may find it easiest to secure just a few pegs at a time. Once the skin parts have been joined, glue the free end of pipe D3 **38-4** in place on part **29-2**.

1



Take the right leg assembly from the previous stage and in a similar way to the tibia, the thigh skin is fitted. Wrap the thigh skin **29-2/36-2** around the femur assembly **25-3/32-4**.

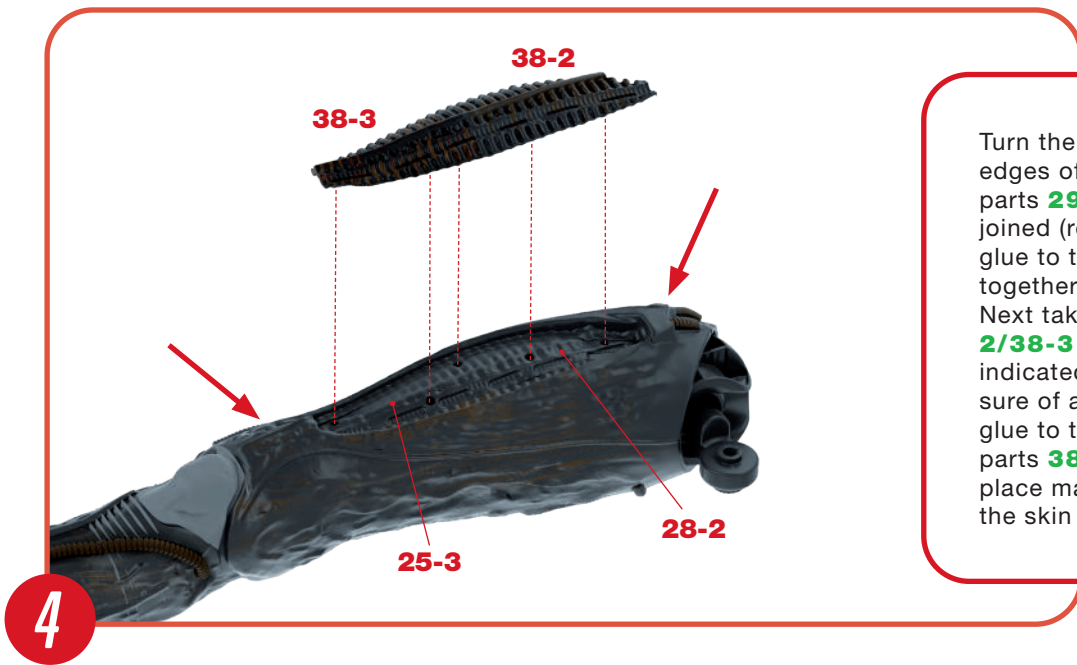
2



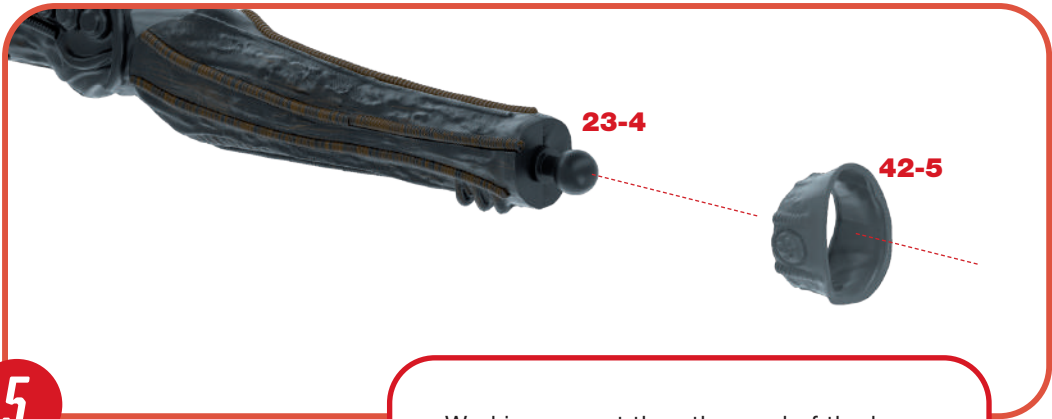
Turn the leg to the side and note the opening, as shown. Take the thigh protectors **41-1** and **41-2** from the previous stage and test-fit them in place. Part **41-2** needs to be fitted before part **41-1**. There are raised sockets on parts **41-1** and **41-2** which fit into holes in parts **26-2/27-3**. When sure of a good fit, secure in place by applying a little glue to the pegs on **41-1** and **41-2**. Make sure the protectors **41-1/41-2** cover the ridges at the edge of the skin.

3

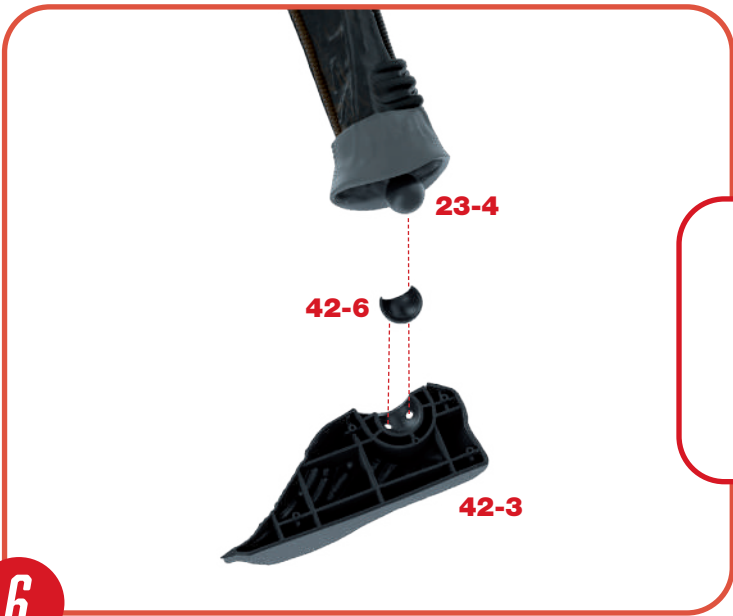
STAGE 42: THE RIGHT FOOT AND RIBCAGE



Turn the leg over, as shown. The edges of skin at either end of parts 29-2 and 36-2 need to be joined (red arrows). Apply a little glue to the contact areas and hold together until the glue has set. Next take the Thigh Protector 38-2/38-3 and test-fit in place as indicated by the red lines. When sure of a good fit, apply a little glue to the five raised sockets on parts 38-2/38-3 and secure in place making sure the edges of the skin fit neatly underneath.



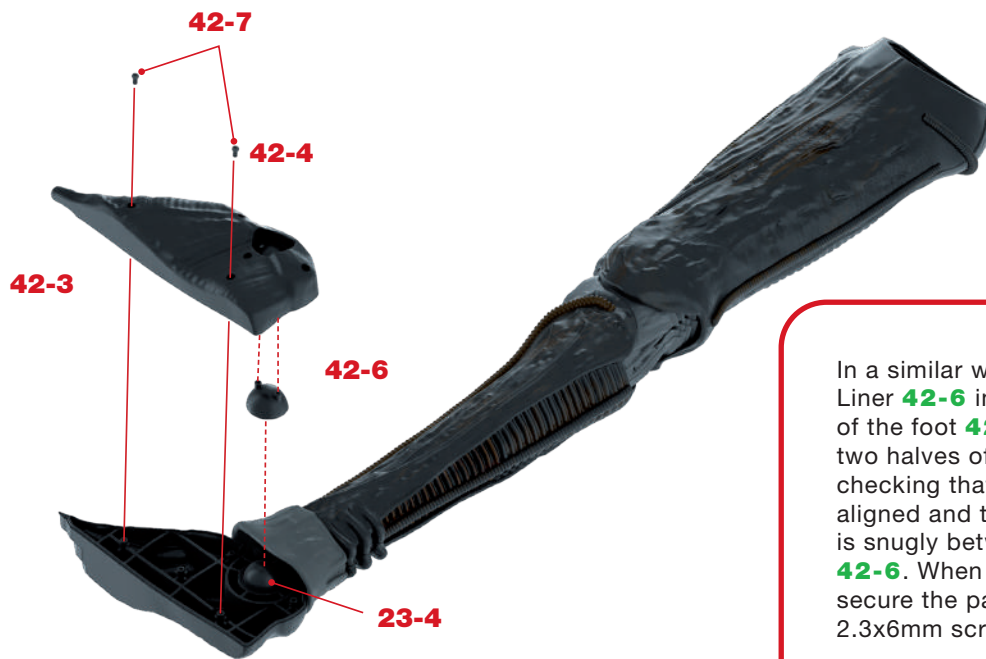
Working now at the other end of the leg, take the Ankle Collar 42-5 and pass it over the ball on part 23-4, as shown. It will help, when fitting the foot in the next step, if the collar is pushed further up the leg than its final position.



Fit one of the Joint Liners 42-6 into the concave recess in Foot part 42-3. Then fit the ball on part 23-4 inside the Joint Liner 42-6.

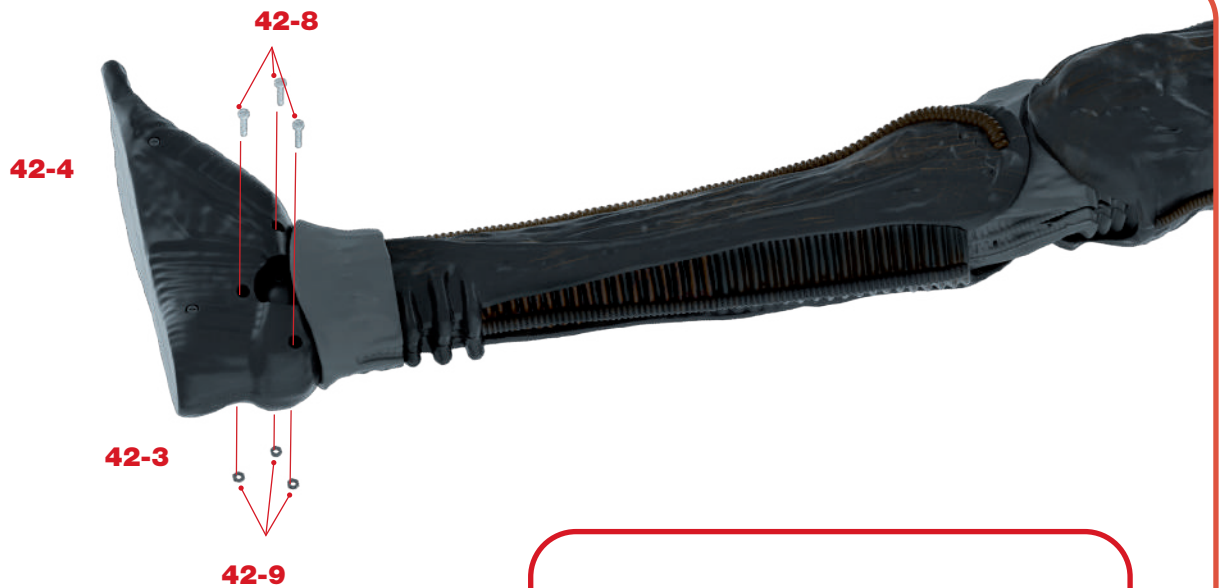
6

STAGE 42: THE RIGHT FOOT AND RIBCAGE



In a similar way, fit a second Joint Liner **42-6** into the other half of the foot **42-4**. Then join the two halves of the foot together, checking that they are correctly aligned and the ball on part **23-4** is snugly between the Joint Liners **42-6**. When sure of a good fit, secure the parts together with two 2.3x6mm screws **42-7**.

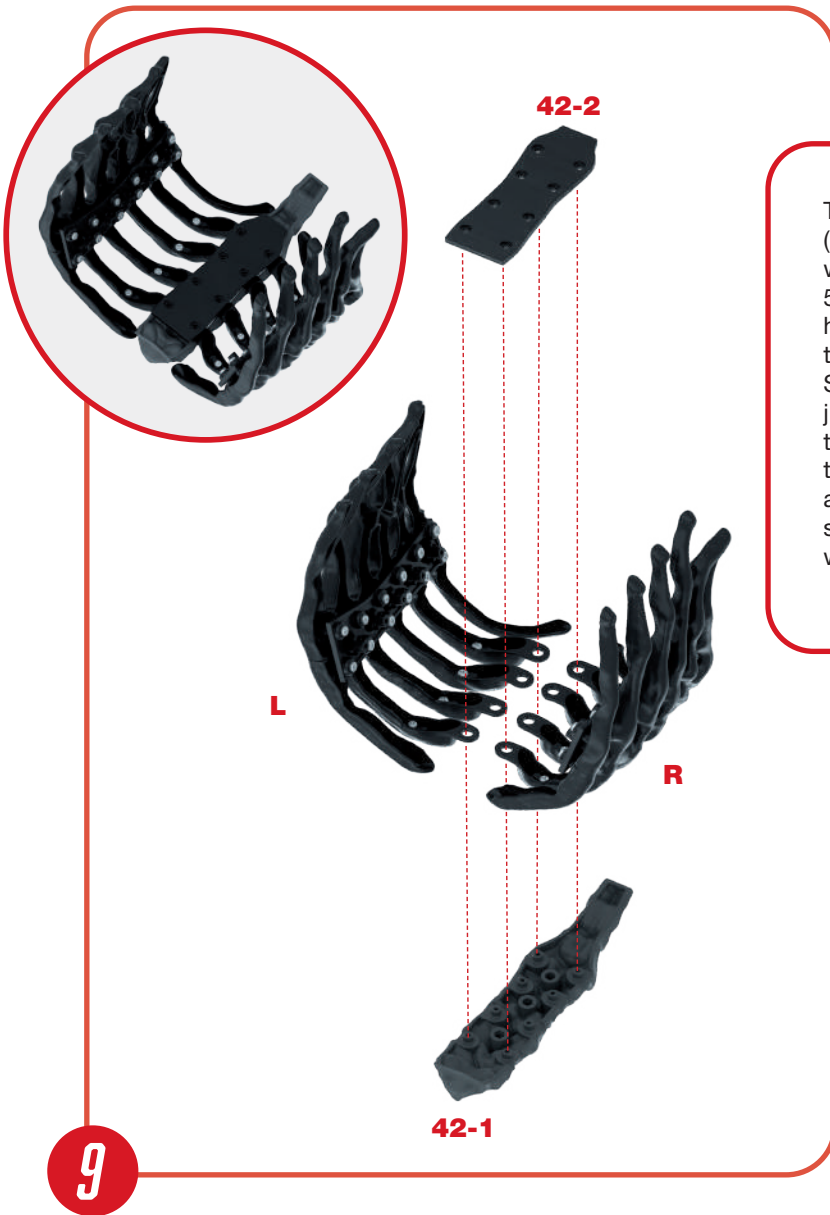
7



Keeping the two halves of the Right Foot **42-3/42-4** together, insert three 3x22mm screws **42-8** as shown and secure in place with three nuts which fit in hexagonal sockets in part **42-3**. Do not over-tighten, as the ball joint needs to be able to move.

8

STAGE 42: THE RIGHT LEG AND RIBCAGE



Take the left (L) and right rib (R) assemblies which were last worked on in stage 39 and pack 5 - stage 30 respectively. Fit the holes at the ends of the ribs over the raised screw sockets on Rib Support **42-1**. Next, cover the join with Rib Support **42-2**, fitting the corresponding pegs over the top. This is only a temporary fixing as the rib cage will need to be separated again at a later stage when it is fitted to the body.

STAGE 42 IS COMPLETE



WORK HAS BEGUN ON THE RIGHT FOOT, THE TWO HALVES OF THE RIB CAGE JOINED TOGETHER AND SKIN FITTED TO THE THIGH.

STAGE 43: THE RIGHT FOOT

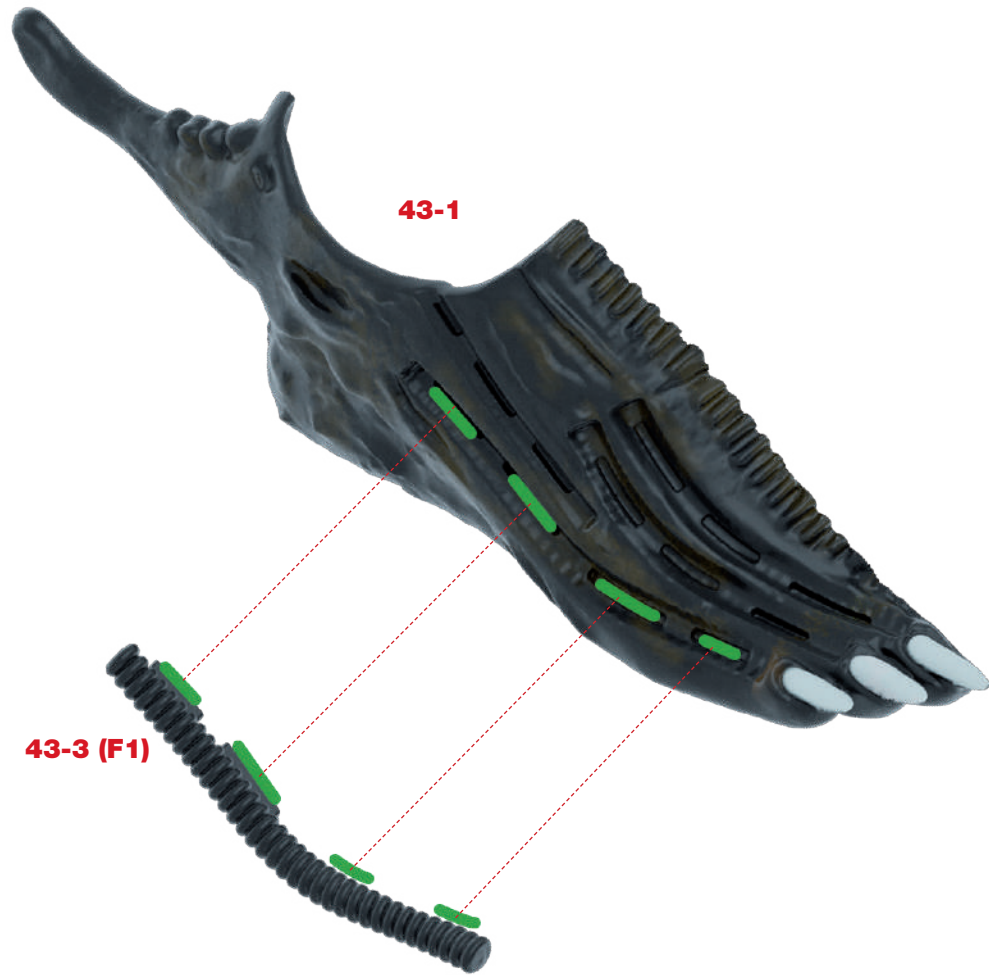
In this stage you will finish building the right foot of the Xenomorph.



PARTS SUPPLIED

Ref.	Name	Qty.	Ref.	Name	Qty.
43-1	Right Foot (Right)	1	43-4	Pipe (F2)	1
43-2	Right Foot (Left)	1	43-5	Pipe (F3)	1
43-3	Pipe (F1)	1	43-6	Pipe (F4)	1

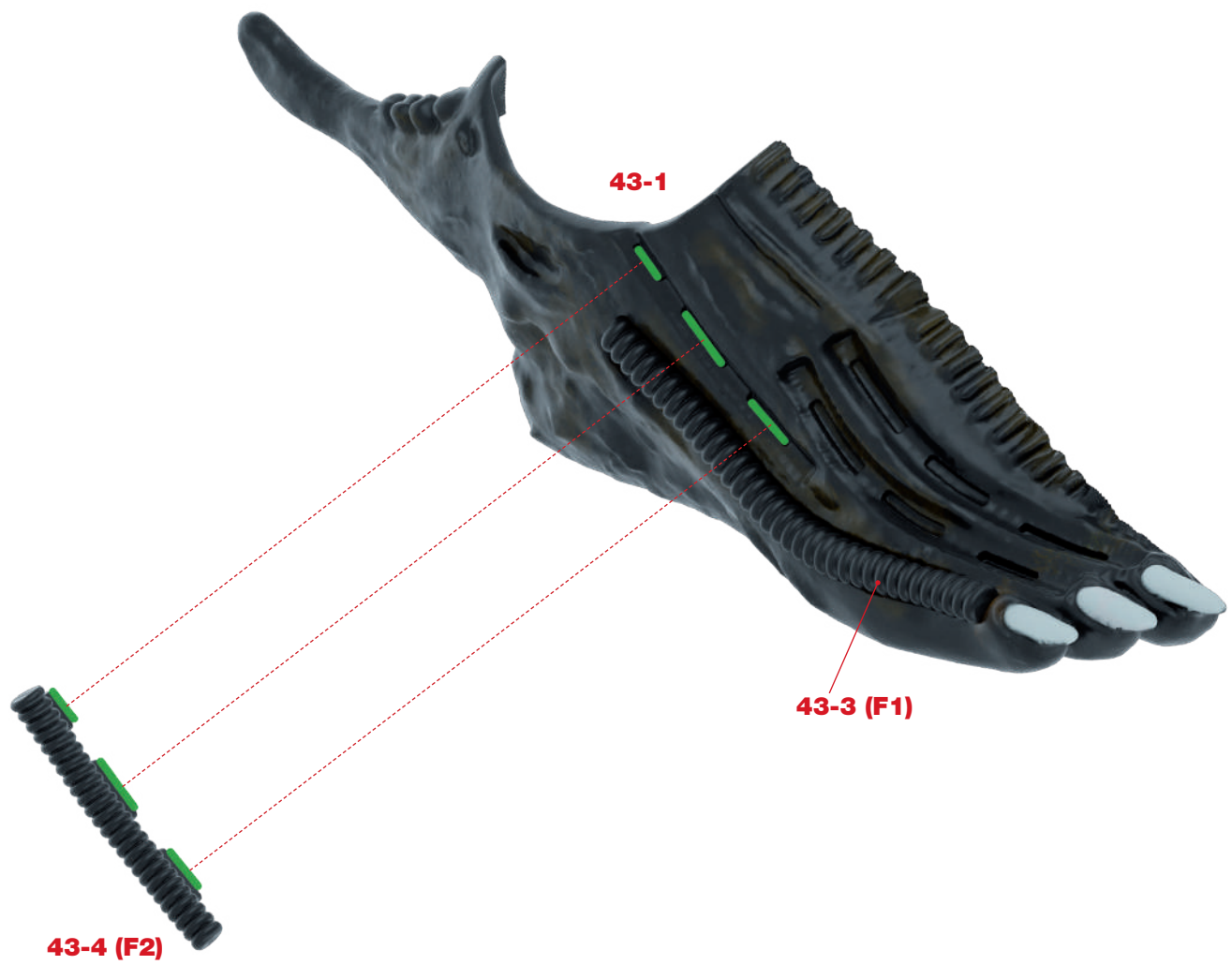
STAGE 43: THE RIGHT FOOT



1

Test-fit Pipe F1 **43-3** into the right half of the Foot **43-1**, as shown. Once sure of a good fit, apply a little glue to the tabs on Pipe **43-3** and fix in place.

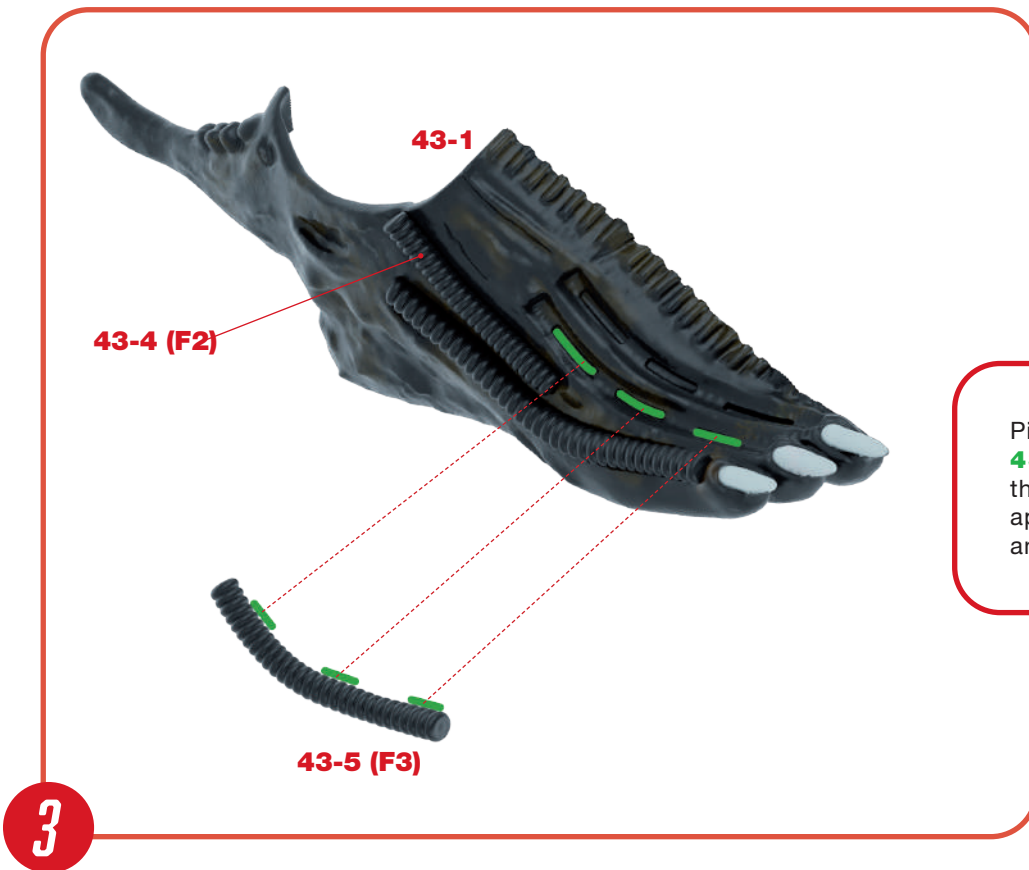
STAGE 43: THE RIGHT FOOT



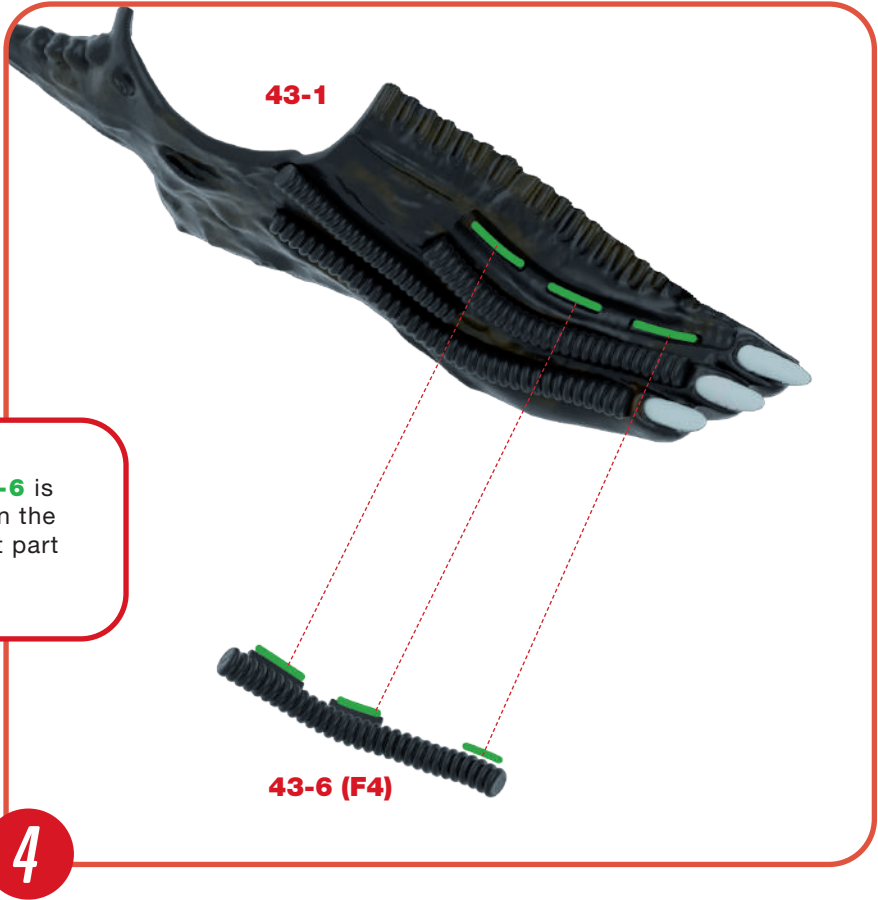
2

Similarly, fit Pipe F2
43-4 above Pipe F1
43-3, as shown.

STAGE 43: THE RIGHT FOOT



Pipe F3 **43-5** is fitted above **43-4** (F2), towards the front of the foot. After test-fitting apply a little glue to the tabs and secure in place.



The fourth Pipe F4 **43-6** is fixed in a similar way in the upper slots on the foot part **43-1**.

STAGE 43: THE RIGHT FOOT

Take the foot (leg) assembly from the previous stage and fit the right half of **43-1** over the Foot **42-3**, as shown.

5



43-2

42-4

43-1

Test fit the left half of the Foot **43-2** over the other side of the foot **42-4** and when sure of a good fit, join the two halves of the foot skin together. A little glue is applied to the contact areas on part **43-2** as shown by the green lines. There are pegs and corresponding holes to help secure the parts in place and it may be easiest to first fit the bottom of the foot together. There is a peg at the back of **43-2** which is glued into the corresponding hole in **43-1** (red arrows).

6

STAGE 43: THE RIGHT FOOT

STAGE 43 IS COMPLETE



PIPES HAVE BEEN ADDED TO THE RIGHT FOOT AND THE FOOT SKIN FITTED IN PLACE.

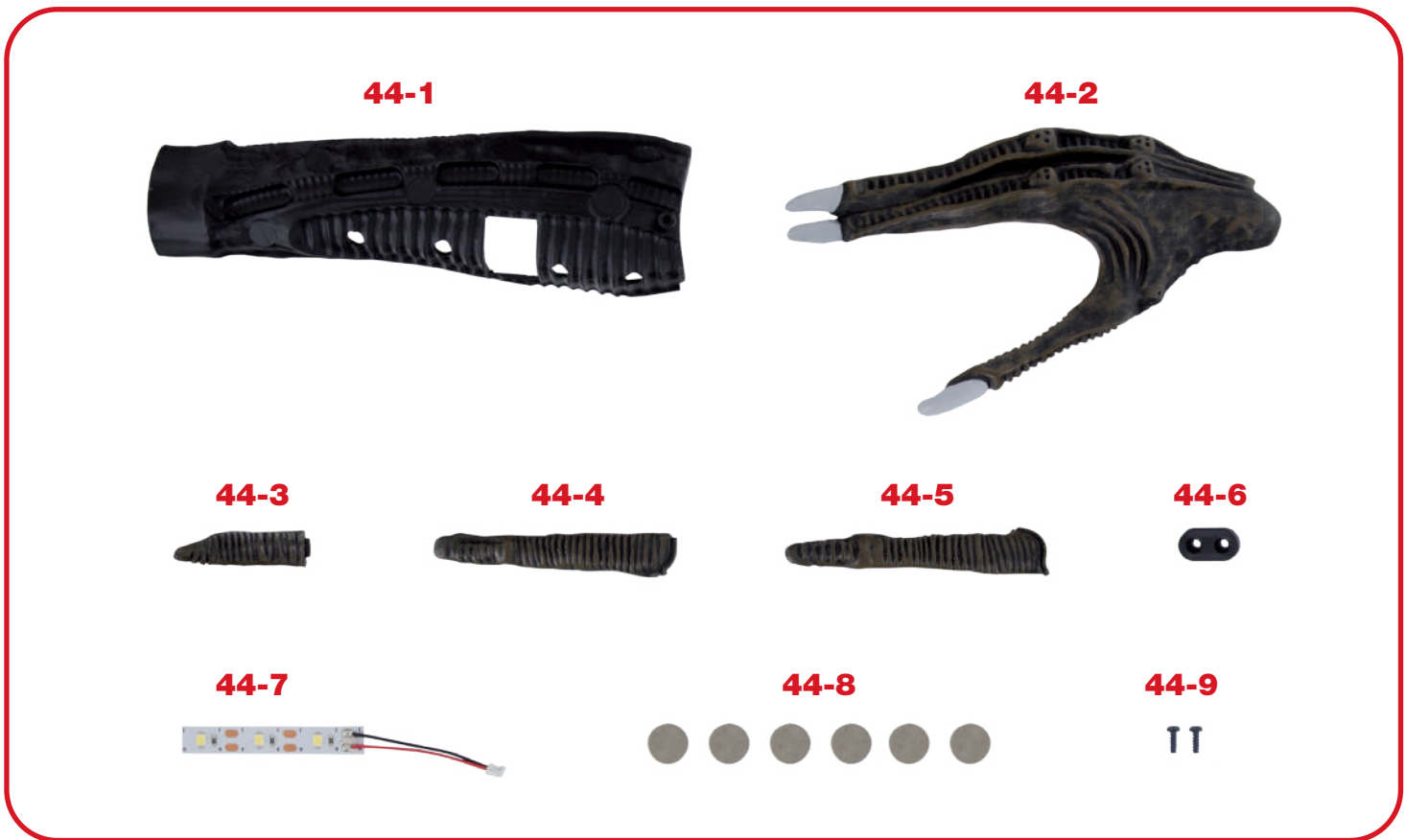
BUILD SUMMARY

You have now completed three main assemblies: the skull and jaw, the ribs and the right leg.



STAGE 44: THE RIGHT HAND AND SKULL (I)

In this stage you will start to build the Xenomorph's right hand, and install an LED on the skull.

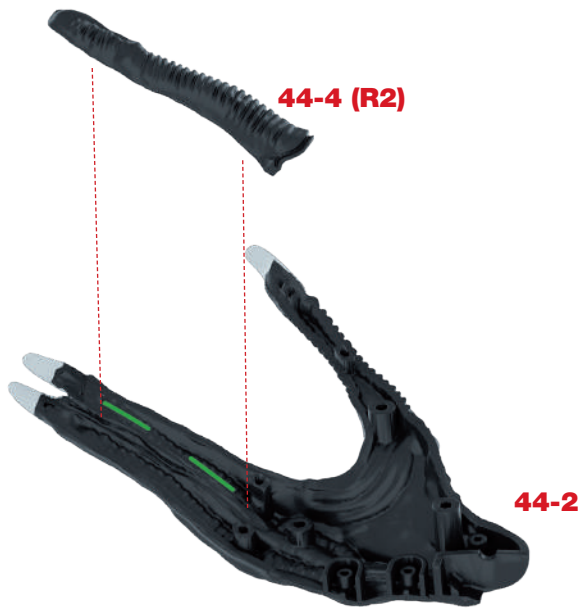


PARTS SUPPLIED

Ref.	Name	Qty.	Ref.	Name	Qty.
44-1	Right Radius	1	44-6	Connector	1
44-2	Right-back Part of the Hand	1	44-7	Skull LED A	1
44-3	Right Finger (R1)	1	44-8	Magnets	6
44-4	Right Finger (R2)	1	44-9	2.3x6mm screw (1 spare)	2
44-5	Right Finger (R3)	1			

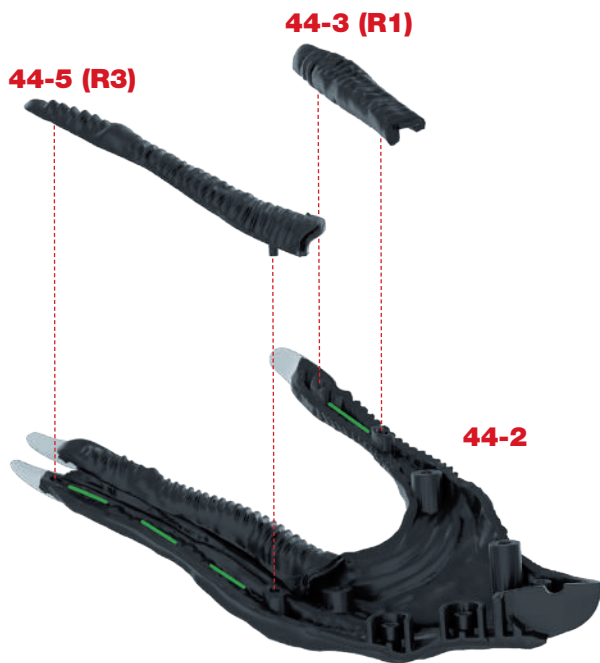
STAGE 44: THE RIGHT HAND AND SKULL (I)

1



Test-fit the pegs on Right Finger R2 **44-4** into corresponding raised sockets on the back of the Hand **44-2**. Once certain of the fit, glue in place.

2



Repeat the previous step to add Right Fingers R1 **44-3** and R3 **44-5** to the back of the Hand **44-2**.

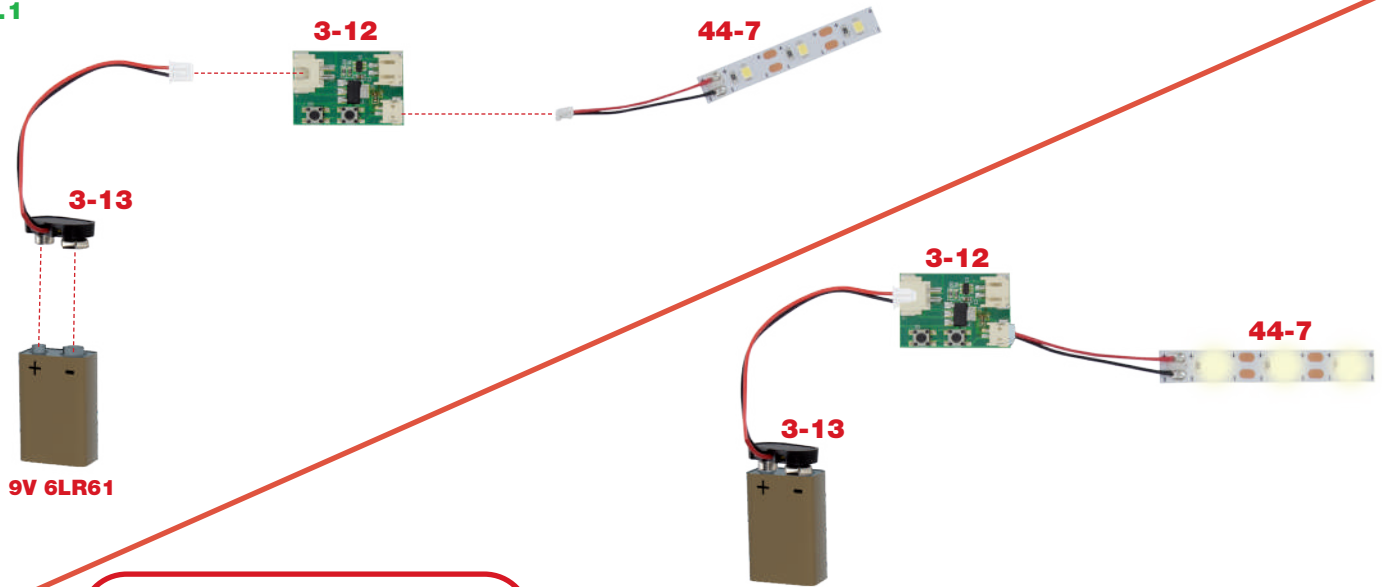
3



Fit one side of the Connector **44-6** over the raised screw socket on Hand part **44-2**, as shown by the red line. Fix in place with a 2.3x6mm screw **44-9**.

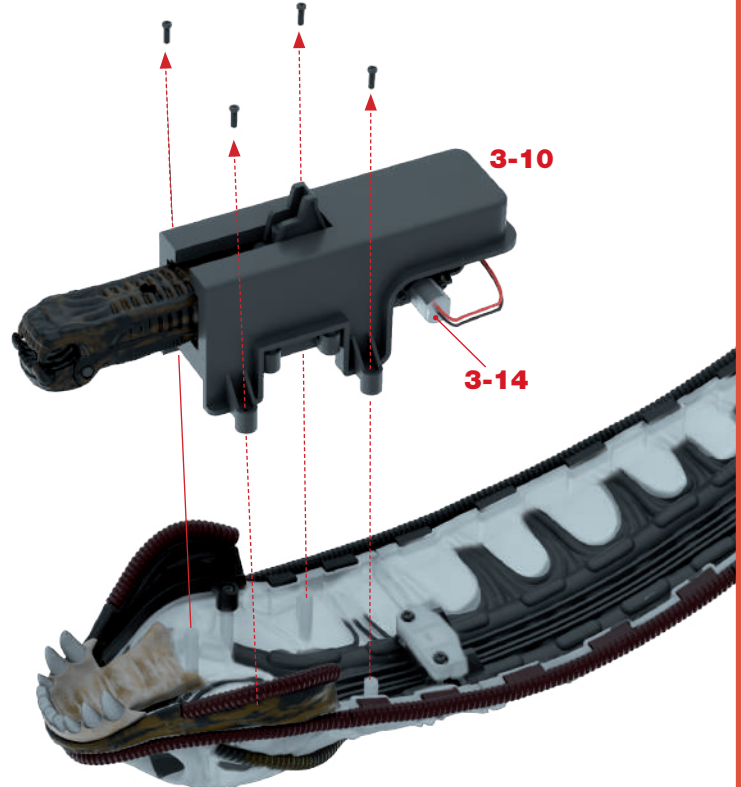
STAGE 44: THE RIGHT HAND AND SKULL (I)

4.1



4

Next, the LED Strip **44-7** is tested. Following the diagrams, connect the LED Strip **44-7** to the small socket on the right of the circuit board **3-12** which was supplied with pack 1 - stage 3. The battery connector **3-13** is fitted to the left hand side, as shown. Then attach a 9V 6LR61 battery (not supplied) and check that the LED strip lights up. Once satisfied, disconnect the parts and store them safely.

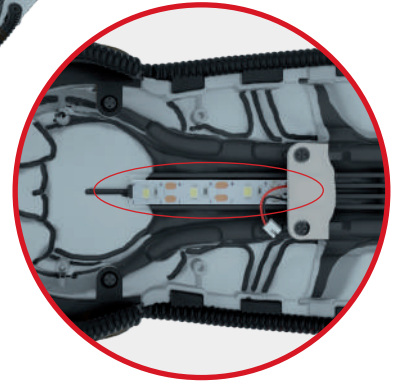
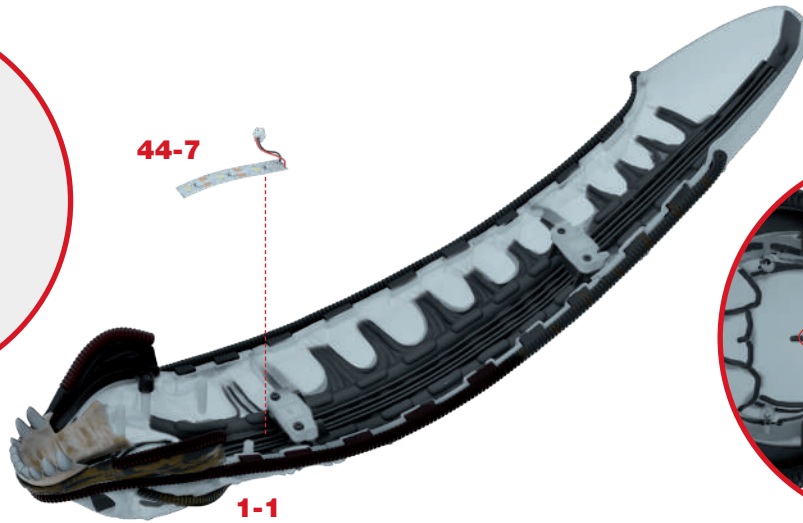
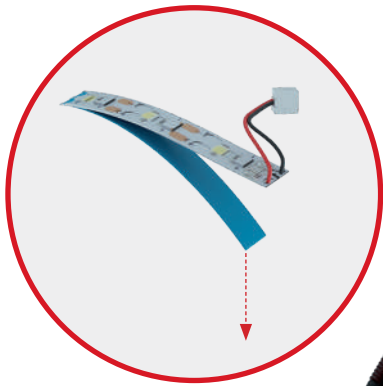


Take the skull assembly which was worked on in pack 3 - stage 16. Temporarily remove the retractable jaw assembly **3-10** by removing the four screws, as shown. Keep the screws safely aside until they are needed in step 7.

5

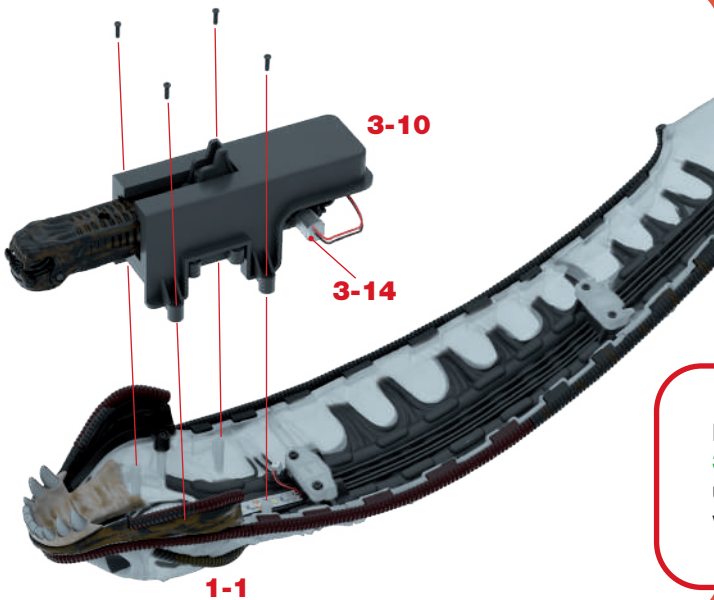
STAGE 44: THE RIGHT HAND AND SKULL (I)

6



Study the diagram and parts carefully before removing the backing from the adhesive strip on the Skull LED A **44-7**. Referring to the inset photograph (above right), note the central placement of the LED strip along the ridges and the position of the cable. When sure of the correct position, stick the Skull LED A **44-7** firmly in place.

7



Replace the retractable jaw assembly **3-10** and secure firmly in place again using the four 2.3x6mm screws which were removed in step 5.

**PACK 6 AND STAGE 44
ARE NOW COMPLETE**

