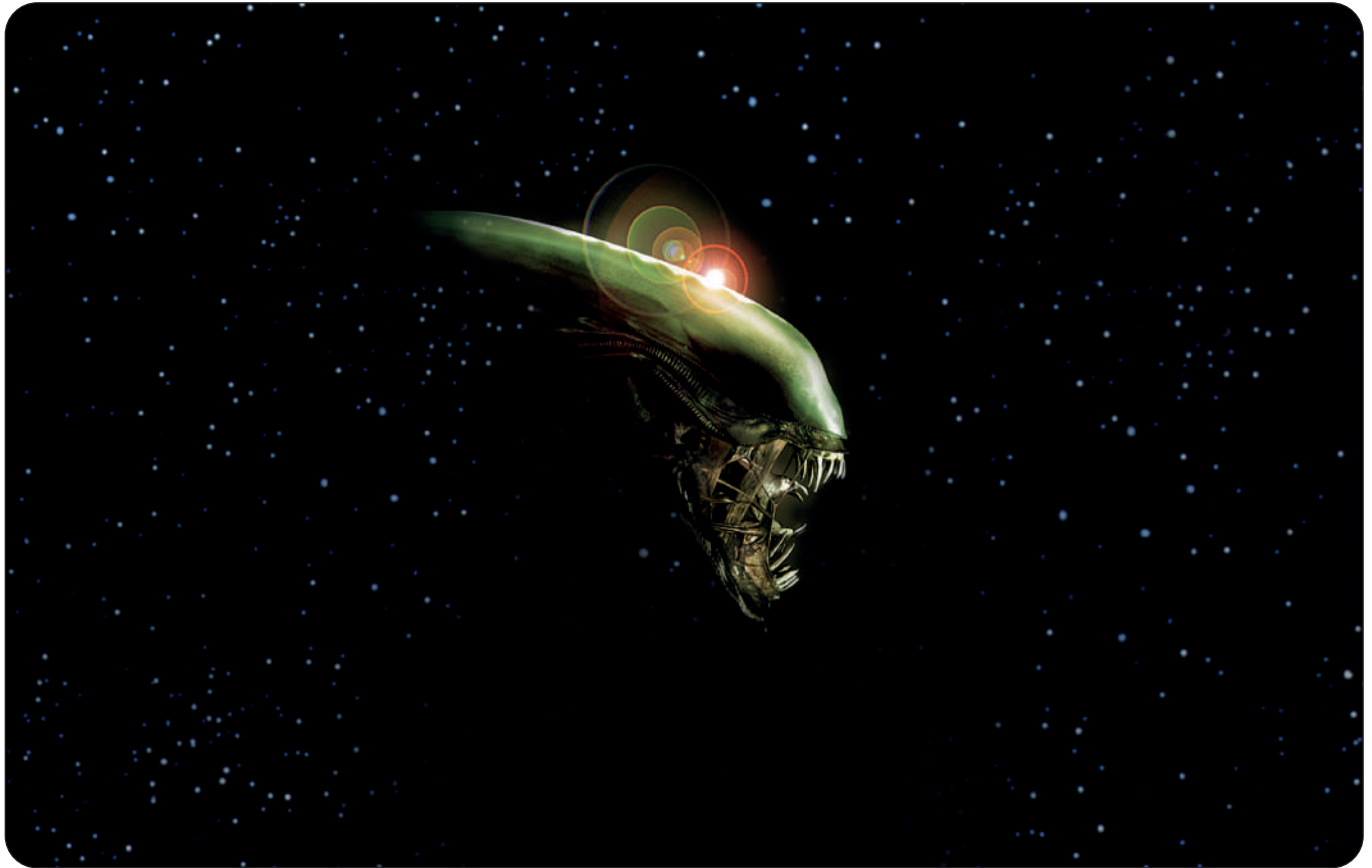


A L I E N



Pack 04

BUILD INSTRUCTIONS

STAGE 21: THE RIGHT LEG (III)

STAGE 22: THE RIGHT RIBS & THE LEG (II)

STAGE 23: THE RIGHT RIBS & THE LEG (III)

STAGE 24: THE RIGHT RIBS & THE LEG (IV)

STAGE 25: THE RIGHT RIBS &
THE RIGHT FEMUR (I)

STAGE 26: THE RIGHT RIBS &
THE RIGHT FEMUR (II)

STAGE 27: THE RIGHT RIBS &
THE RIGHT FEMUR (III)

STAGE 28: THE RIGHT RIBS &
THE RIGHT FEMUR (IV)



Before you start...

To help you get the best out of building the Xenomorph, we've prepared a modellers checklist with hints, tips and advice from our expert. The information below is aimed at making your build as enjoyable and professional as possible right from the start.

Make sure you have good ventilation when using adhesives and to replace caps firmly.

Always use the correct adhesives and always follow manufacturers guidance.

Apply glue sparingly and use a cocktail stick to apply so that you don't use too much nor apply the glue too heavily.

Work in a well lit area. Use an anglepoise lamp or similar on your work bench to ensure you have good light whenever you're at work.

Organise storage – stackable, labeled containers like old clean takeaway or ice-cream plastic tubs with lids are perfect. Small parts which may not be needed until a later stage should be kept in clear plastic and labeled bags.

Use masking tape to hold parts temporarily in place.

Only use the correct size screwdriver that fits the screw head firmly.

Cut parts from a sprue (framework) with side cutters or a craft knife. Side cutters tend to be easiest.

Use a magnet to help find screws that have fallen on the floor.

Leave parts in the paper bags supplied until they are needed. You can write a note of the stage and part on the paper bag too.

If a screw is tight, try turning a half turn forwards followed by a quarter turn backwards. Also, it can sometimes help to temporarily fit a screw into its hole before assembling the parts.

But most of all, enjoy your build!



WARNING: Some parts are assembled using magnets. These magnets can cause serious injury if they are swallowed. Keep away from children. If you suspect a magnet has been swallowed, seek medical help straight away.

All parts belong to a kit. Collectors item for adults.

Not suitable for children under 14.

Some parts may have sharp edges, please handle them with care.

The installation of electronic parts must always be carried out by an adult. When replacing batteries, use the same type of batteries.

Please ensure that the battery compartment is securely fastened before you use the model.

Used batteries should be recycled.

Please make sure to check with your local authority how batteries should be disposed of in your area.

Batteries can present a choking danger to small children and may cause serious harm if ingested. Do not leave them lying around and keep any spare batteries locked away at all times.

STAGE 21: THE RIGHT LEG (III)

In this stage you will continue to assemble parts of the Xenomorph's right leg.



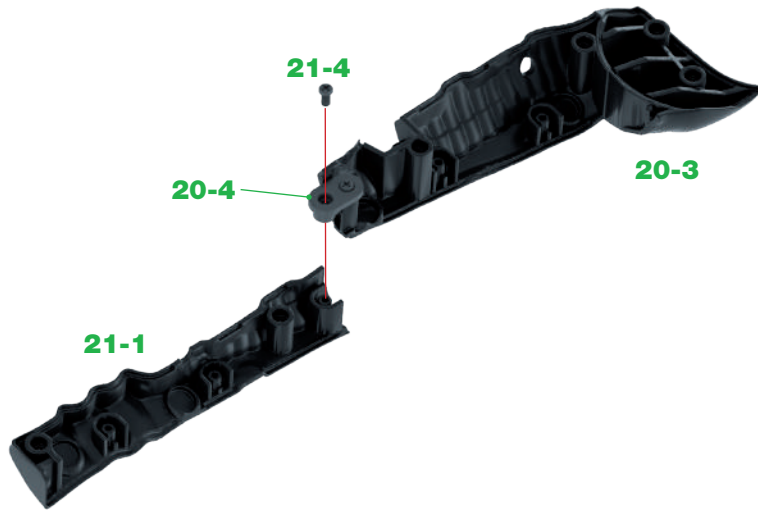
PARTS SUPPLIED

Ref.	Name	Qty.	Ref.	Name	Qty.
21-1	Right Tibia	1	21-3	Magnets	8
21-2	Connectors	4	21-4	2.3x6mm screws	10*

*A spare screw is supplied in case of loss or damage.

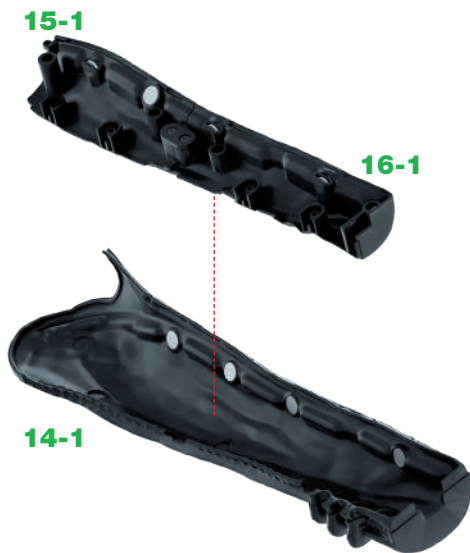
STAGE 21: THE RIGHT LEG (III)

1



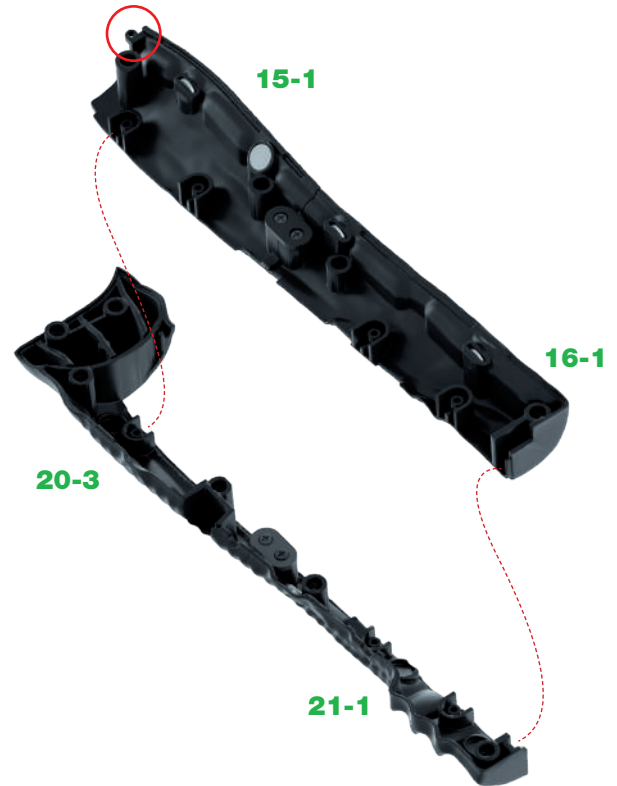
Take the Right Tibia assembly **20-3** which was worked on in the last stage. Tibia part **21-1** is joined to this using the previously fitted Connector **20-4**, as shown. Secure in place with a 2.3x6mm screw **21-4**.

2



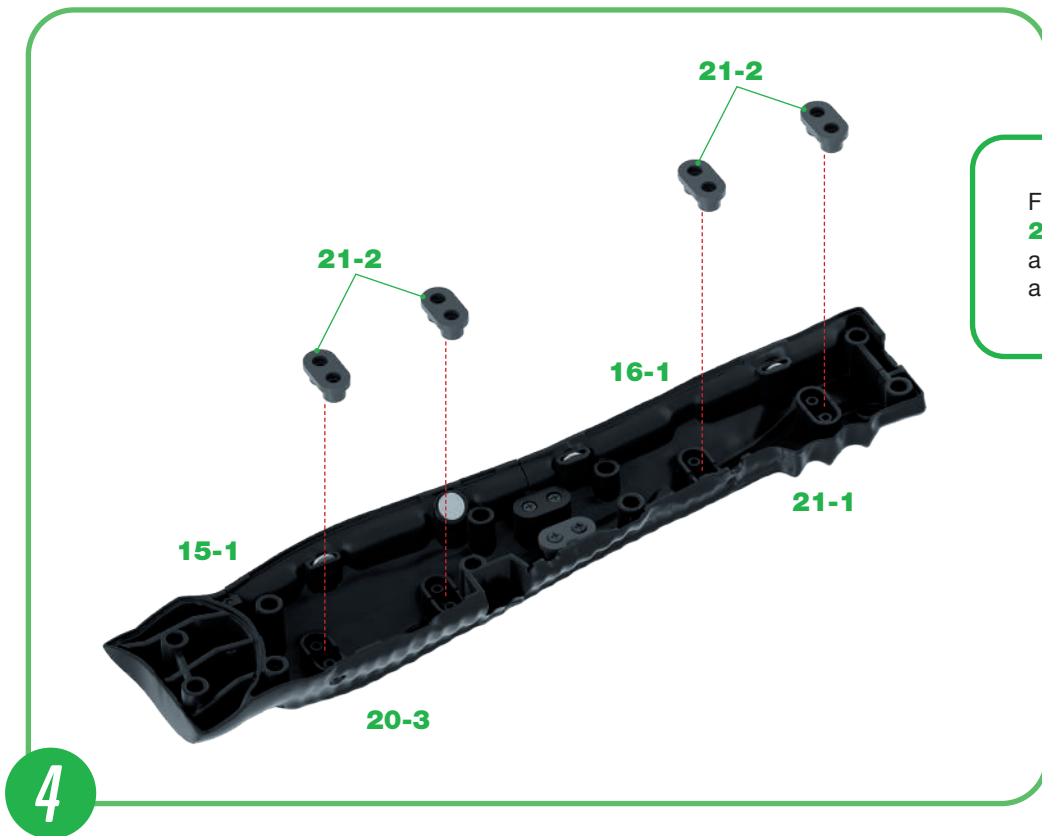
Next, take the Right Calf assembly **14-1** which was last worked on in stage 16 and remove the inner parts **15-1/16-1**.

3



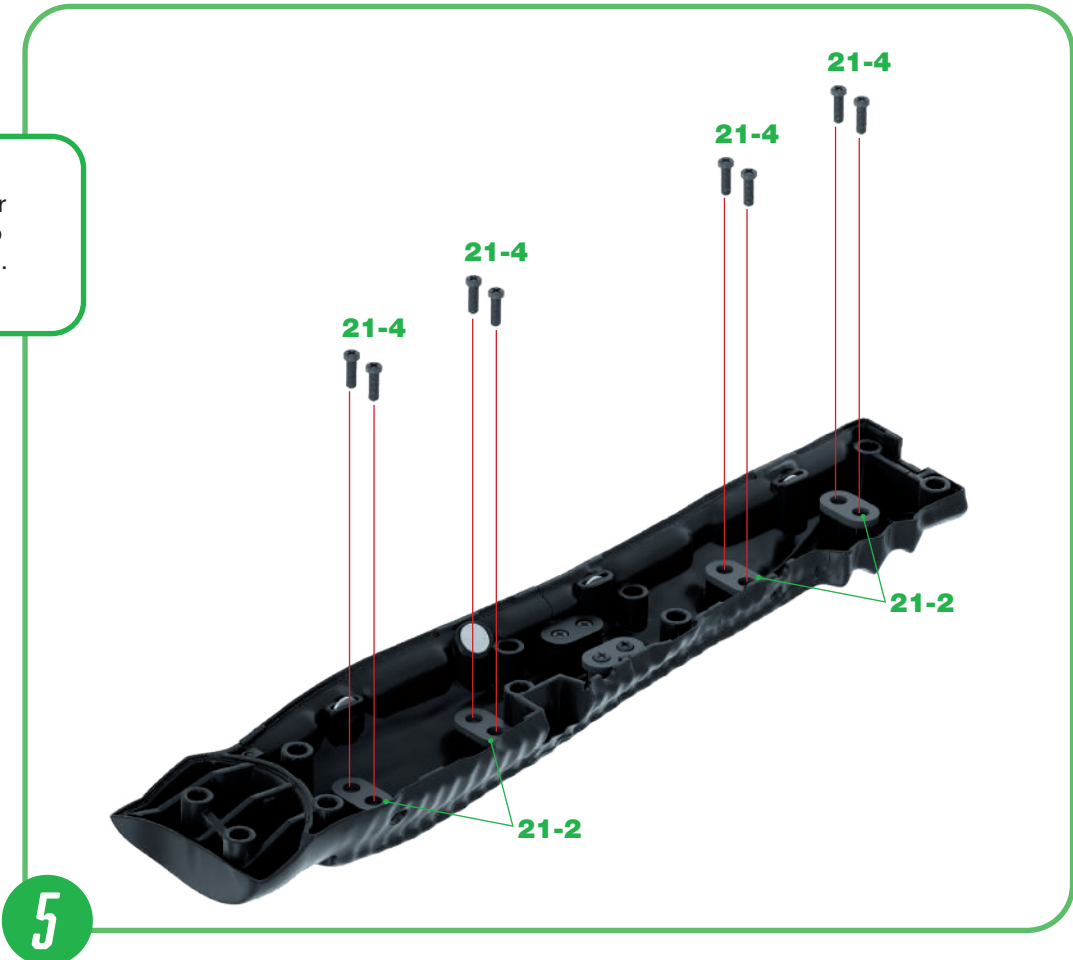
The Tibia assembly **15-1/16-1** is now joined to the assembly **20-3/21-1**. There is a tab with a hole at the end of part **15-1** (circled) which fits over a peg on part **20-3** (arrow).

STAGE 21: THE RIGHT LEG (III)

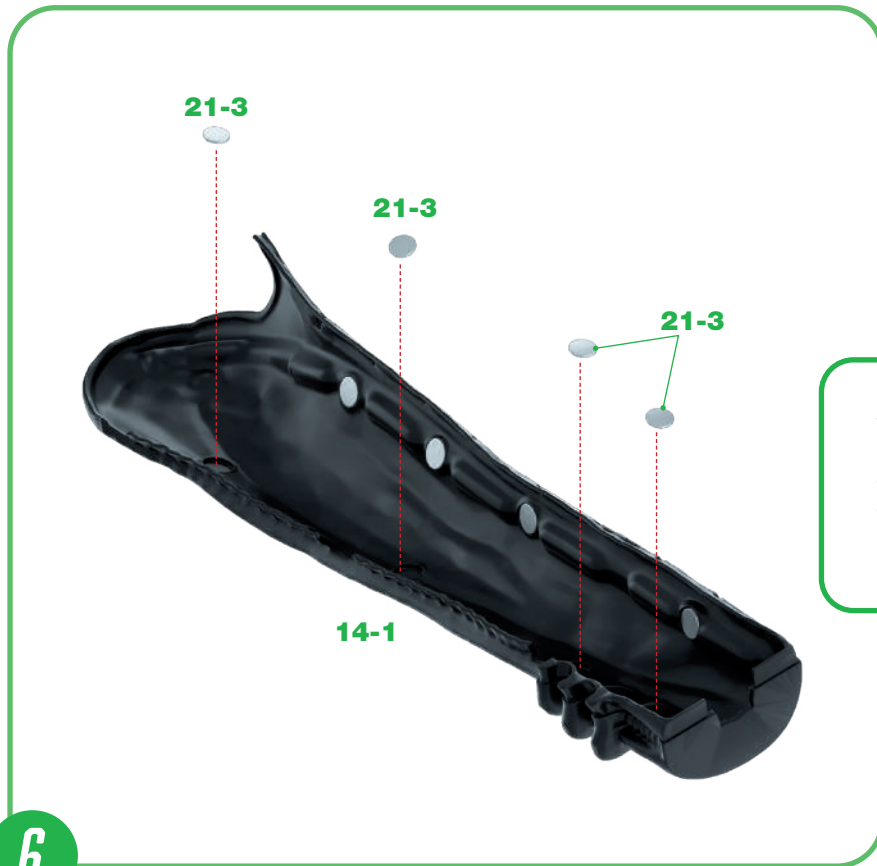


Fit the four Connectors **21-2** which will hold the assemblies **15-1/16-1** and **20-3/21-1** together.

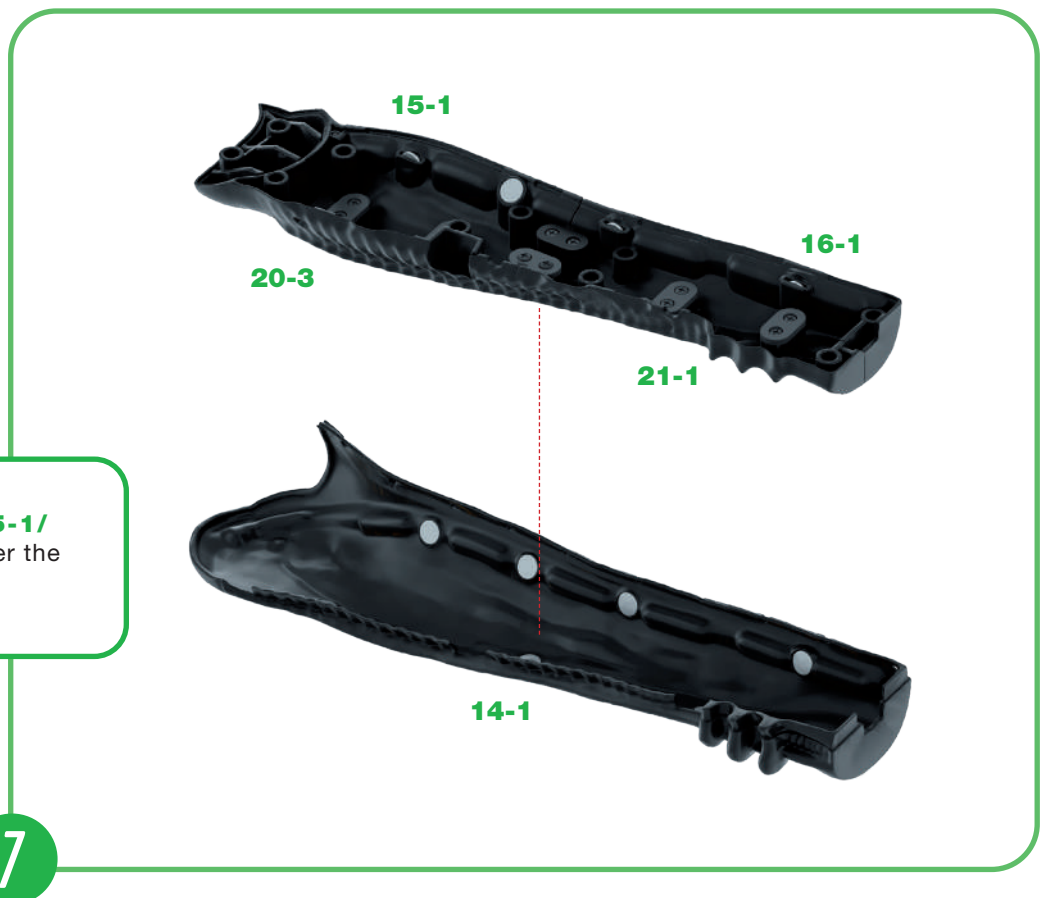
Secure each Connector **21-2** in place with two 2.3x6mm screws **21-4**.



STAGE 21: THE RIGHT LEG (III)

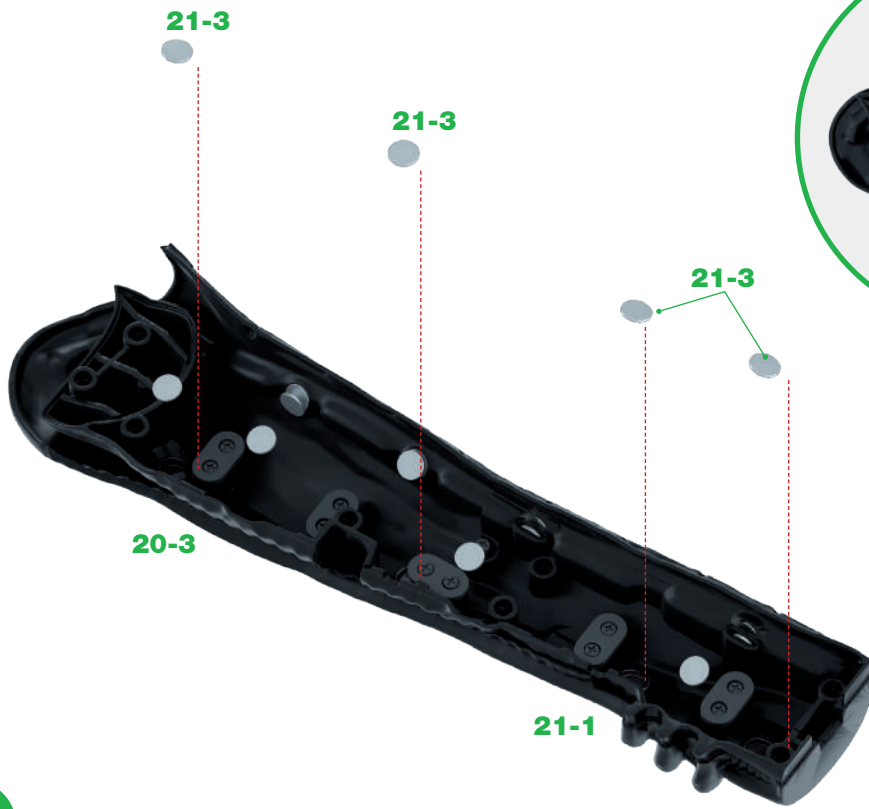


Take the Outer Calf Skin **14-1** and glue four Magnets **21-3** firmly into the circular recesses as shown on the left. It doesn't matter which way round the magnets are fitted.



Place the assembly **15-1/16-1/20-3/21-1** over the calf assembly **14-1**.

STAGE 21: THE RIGHT LEG (III)



Four magnets are now fitted into the circular recesses in parts **20-3/21-1**, as shown above. When fitted correctly, they should be attracted to the magnets underneath on the Calf Skin **14-1**. When certain that the magnets are correctly orientated, glue in place.

8

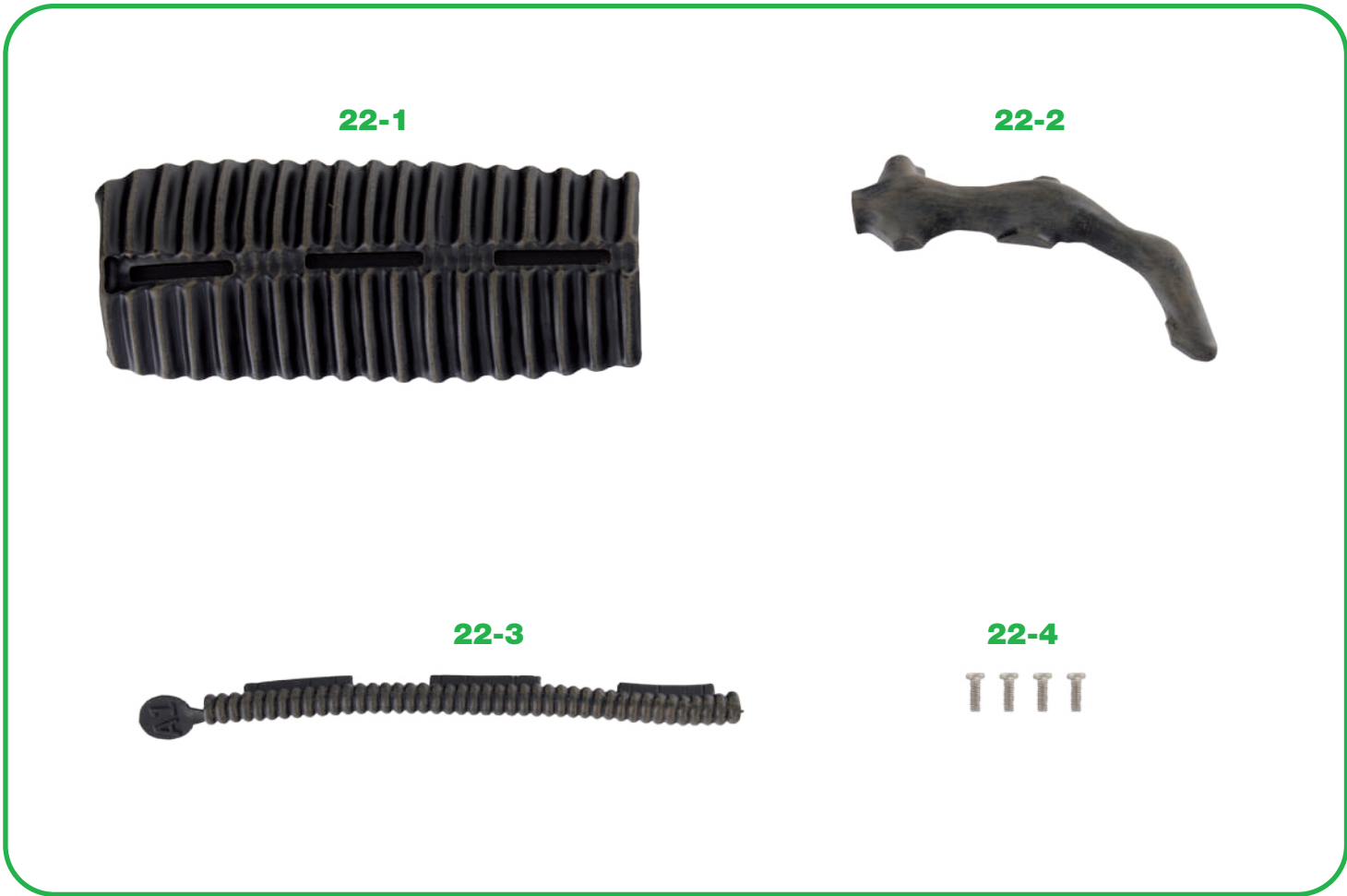
STAGE 21 IS COMPLETE

FURTHER PARTS INCLUDING A SET OF MAGNETS HAVE BEEN FITTED TO THE RIGHT LEG.



STAGE 22: THE RIGHT RIBS & THE LEG (II)

In this stage you will continue to work on the right ribs and leg of the Xenomorph.

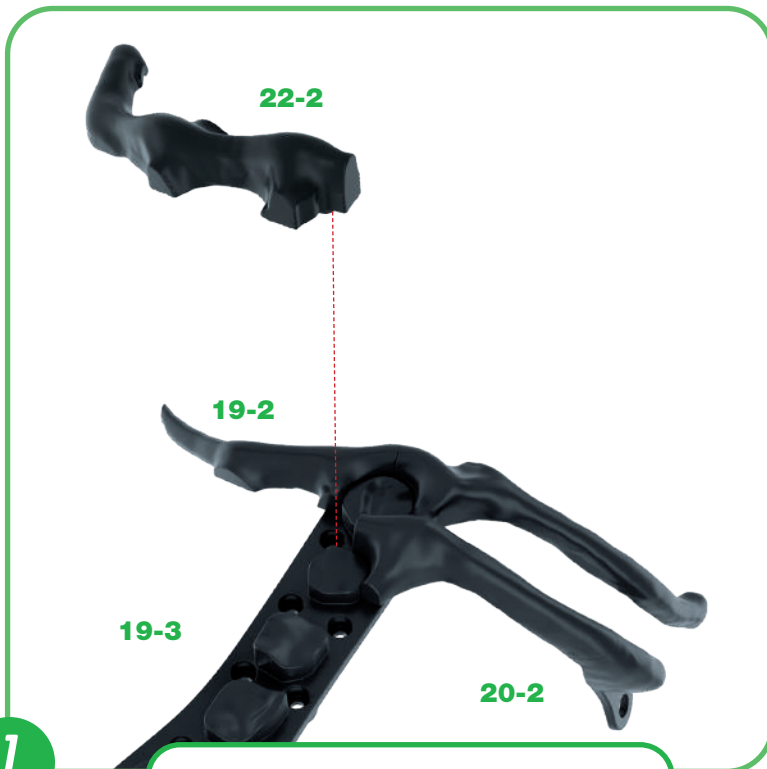


PARTS SUPPLIED

Ref.	Name	Qty.	Ref.	Name	Qty.
22-1	Calf Protector	1	22-3	Pipe A1	1
22-2	Right Rib	1	22-4	2.3x6mm screws	4*

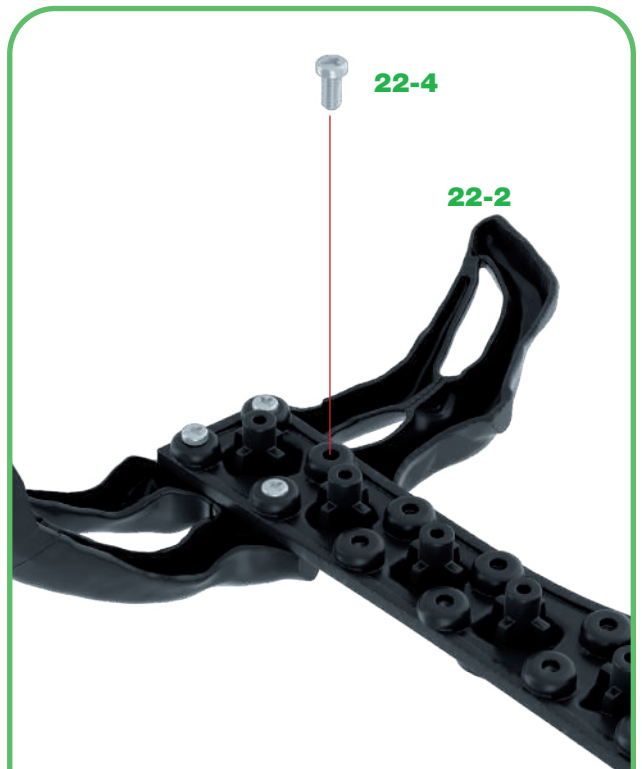
*A spare screw is supplied in case of loss or damage.

STAGE 22: THE RIGHT RIBS & THE LEG (II)



1

Take the rib support assembly **19-3** which was worked on in pack 3 - stage 20. Fit the raised screw socket on Right Rib **22-2** into the corresponding hole on rib support **19-3**, as shown.

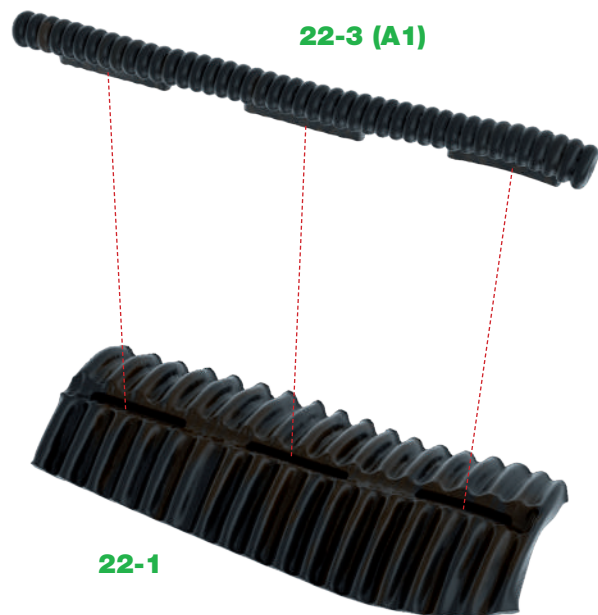


2

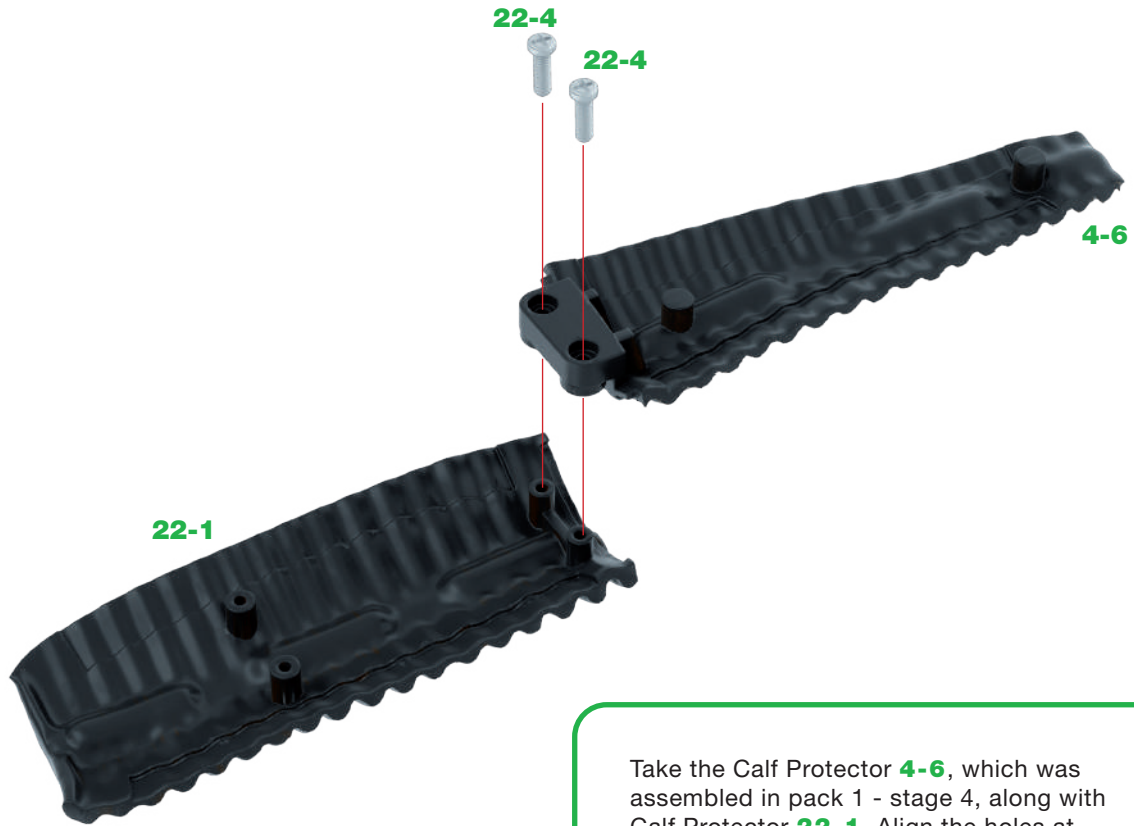
Turn the assembly over and fix Right Rib **22-2** in place with a 2.3x6mm screw **22-4**. Put the assembly aside.

Next, take the Calf Protector **22-1** and the Pipe A1 **22-3**. The tabs on the pipe are arranged so that the pipe will only fit correctly one way round. After test-fitting, apply a little glue to the tabs and fix firmly in place.

3



STAGE 22: THE RIGHT RIBS & THE LEG (II)



Take the Calf Protector **4-6**, which was assembled in pack 1 - stage 4, along with Calf Protector **22-1**. Align the holes at one end of part **4-6** over the raised screw sockets on part **22-1**, as shown. Secure the parts together using two 2.3x6mm screws **22-4**.

4

STAGE 22 IS COMPLETE

ANOTHER RIB HAS BEEN CONNECTED AS WELL AS FURTHER WORK ON THE CALF PROTECTOR.



STAGE 23: THE RIGHT RIBS & THE LEG (III)

In this stage you will continue to work on the right ribs and leg of the Xenomorph.

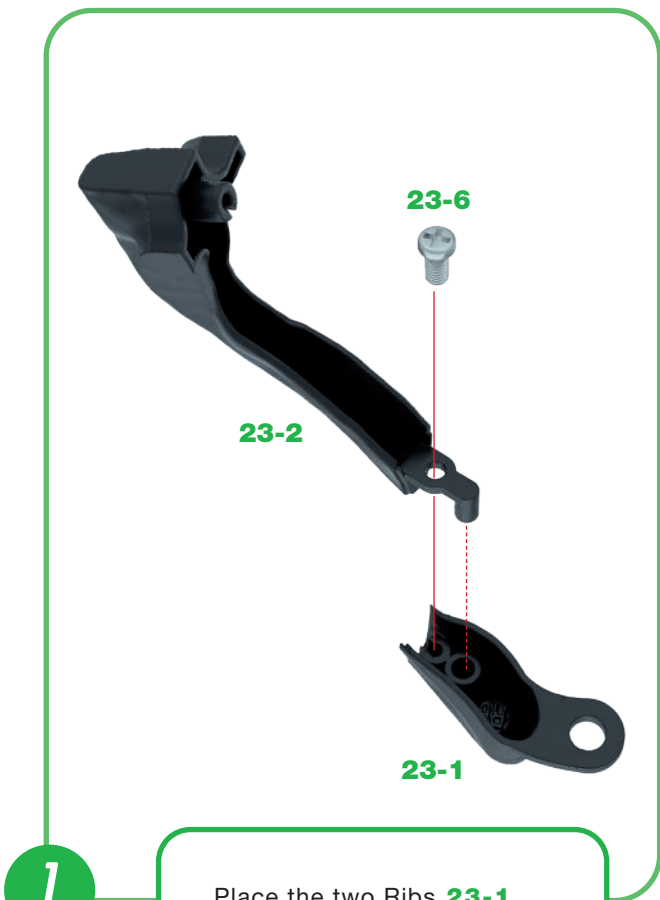


PARTS SUPPLIED

Ref.	Name	Qty.	Ref.	Name	Qty.
23-1	Right Rib	1	23-4	Ball Joint	1
23-2	Right Rib	1	23-5	2.3x6mm screws	11*
23-3	Pipe A2	4	23-6	2.3x4mm screws	3*

*A spare screw of each type is supplied in case of loss or damage.

STAGE 23: THE RIGHT RIBS & LEG (III)



1

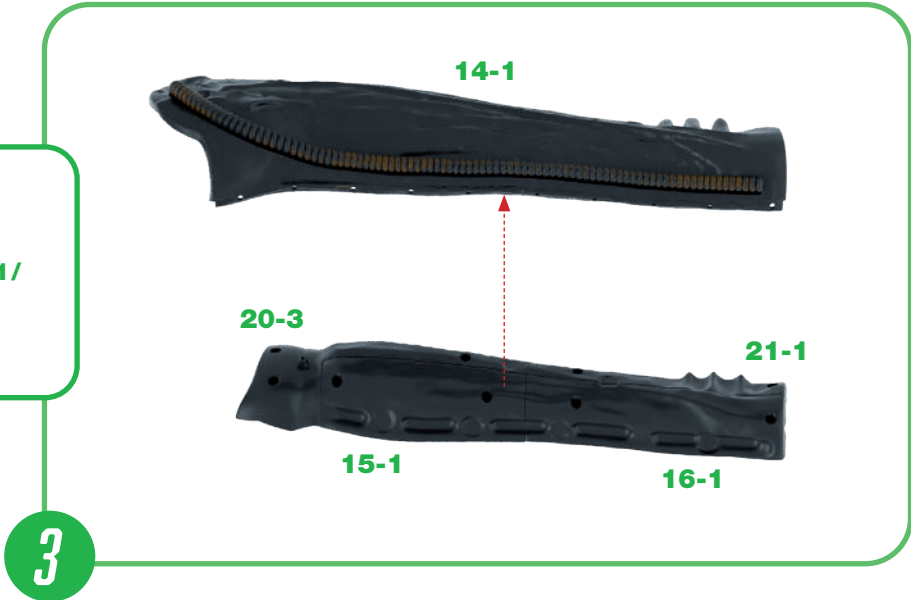
Place the two Ribs **23-1** and **23-2** on the work surface. Study the diagram and note how a peg at the end of **23-2** fits into a socket in **23-1**. Fix the two parts together using a 2.3x4mm screw **23-6**.



2

Take the rib support assembly **19-3** which was worked on in the last stage. Fit the raised screw socket on Rib **23-2** into the hole in support **19-3** and secure in place with a 2.3x4mm screw **23-6**. Put the assembly to one side until it is needed in the next stage.

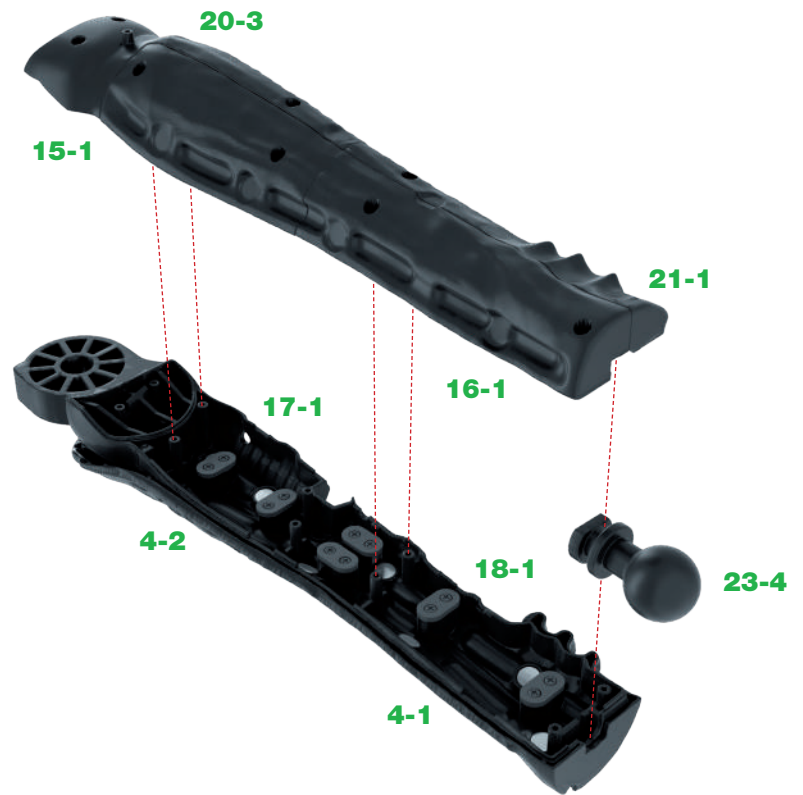
Now take the assembly constructed in stage 21 and separate the inner parts **15-1/16-1/20-3/21-1** from the outer skin **14-1**.



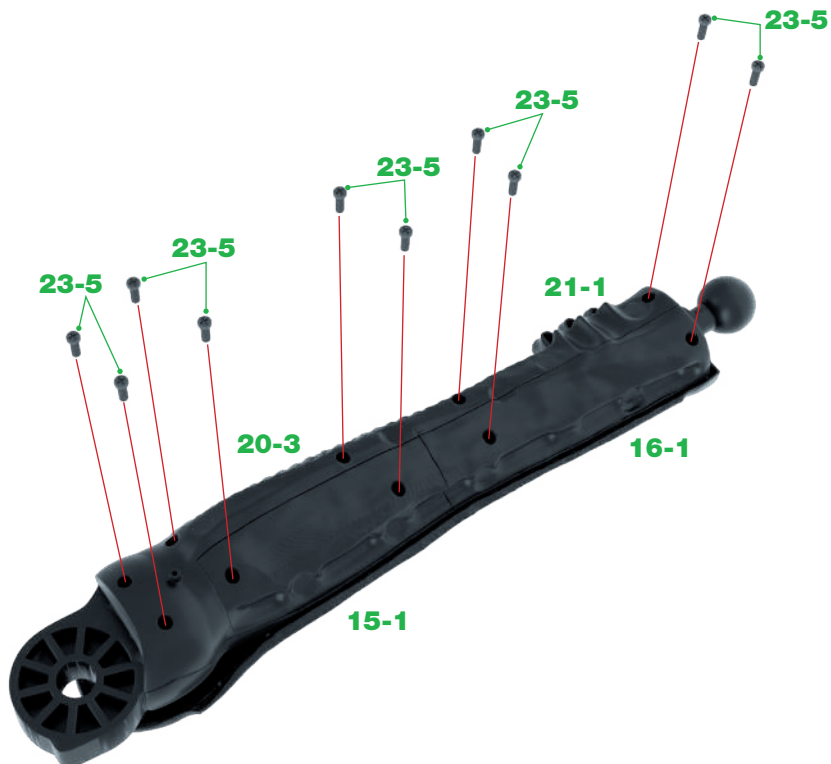
3

STAGE 23: THE RIGHT RIBS & THE LEG (III)

Next take the second tibia assembly **4-1/4-2/17-1/18-1** which was worked on in pack 3 - stage 18. Fit the Ball Joint **23-4** into the slot at the end of part **4-1** and **18-1**. Check the orientation to ensure a good fit. This assembly is now covered with the other half of the tibia **15-1/16-1/20-3/21-1**. There are raised screw sockets on the assembly **4-1** which fit into matching recesses on assembly **16-1**.



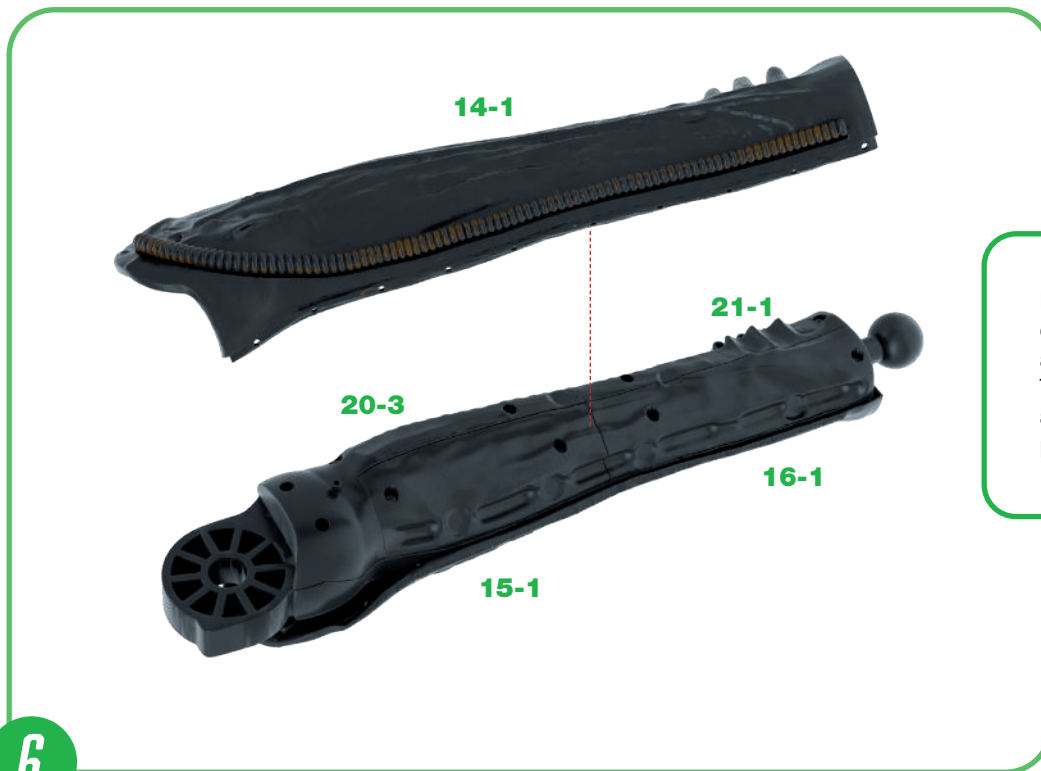
4



Take time to make sure that all of the parts are correctly aligned and fix firmly together with ten 2.3x6mm screws **23-5**.

5

STAGE 23: THE RIGHT RIBS & THE LEG (III)



Fit the outer skin **14-1** on top of the tibia assembly, as shown. The Outer Skin **4-4** will also need to be fitted if previously removed.

6

Turn over the right tibia assembly. The calf protector assembly **4-6/22-1**, which was prepared in stage 22 is fitted into the recess on the assembly **17-1/20-3**, as shown. There are four raised screw sockets on the calf protector **4-6/22-1** which push-fit into corresponding holes in **17-1/20-3**. Note that the protector is placed over the ridges on the sides of skin parts **4-4** and **14-1**. The skin assemblies **4-4/14-1** and the calf protector **4-6/22-1** are only fitted temporarily at present as they will need to be removed again in a later stage.

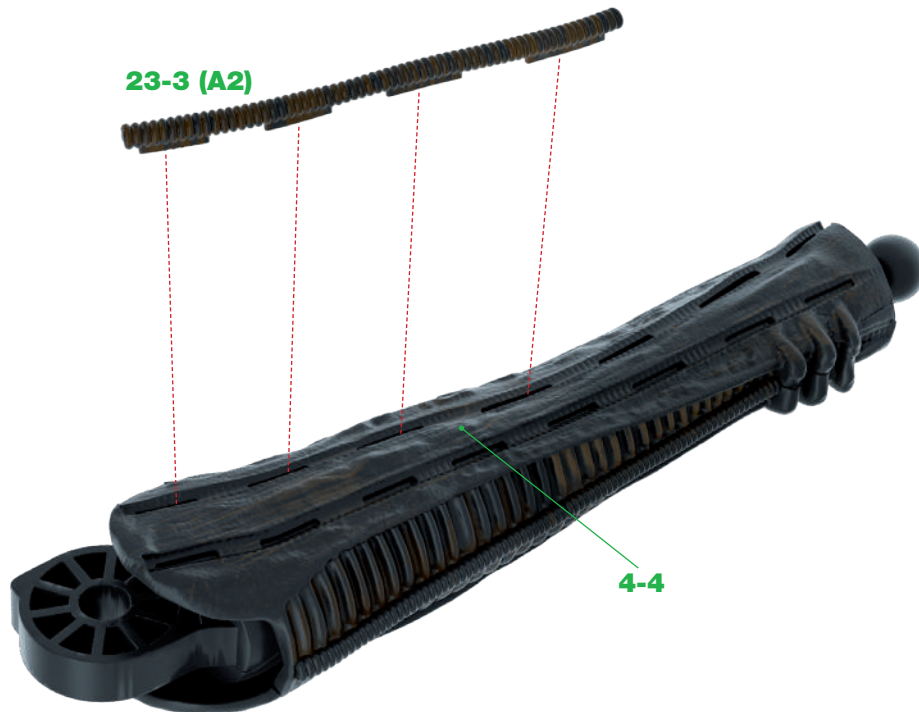


7

STAGE 23: THE RIGHT RIBS & THE LEG (III)

Turn the tibia assembly over again as shown on the right. Check the fit of the tabs on Pipe A2 **23-3** in the slots in the Calf Piece **4-4** and secure in place with a little glue.

8



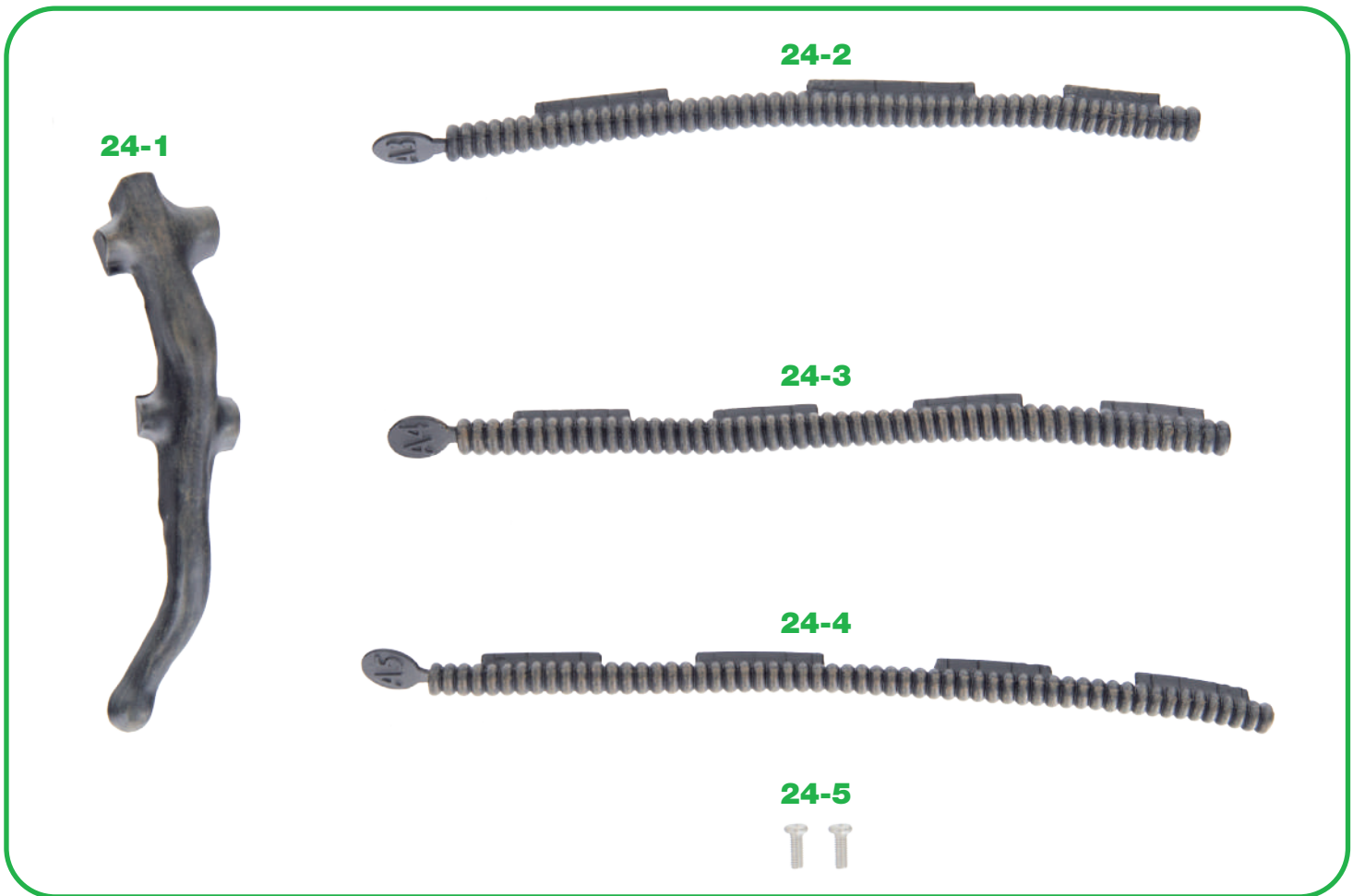
STAGE 23 IS COMPLETE

MORE OF THE RIGHT LEG HAS BEEN ASSEMBLED ALONG WITH WORK ON THE RIB CAGE.



STAGE 24: THE RIGHT RIBS & THE LEG (IV)

In this stage you will continue to work on the right ribs and leg of the Xenomorph.



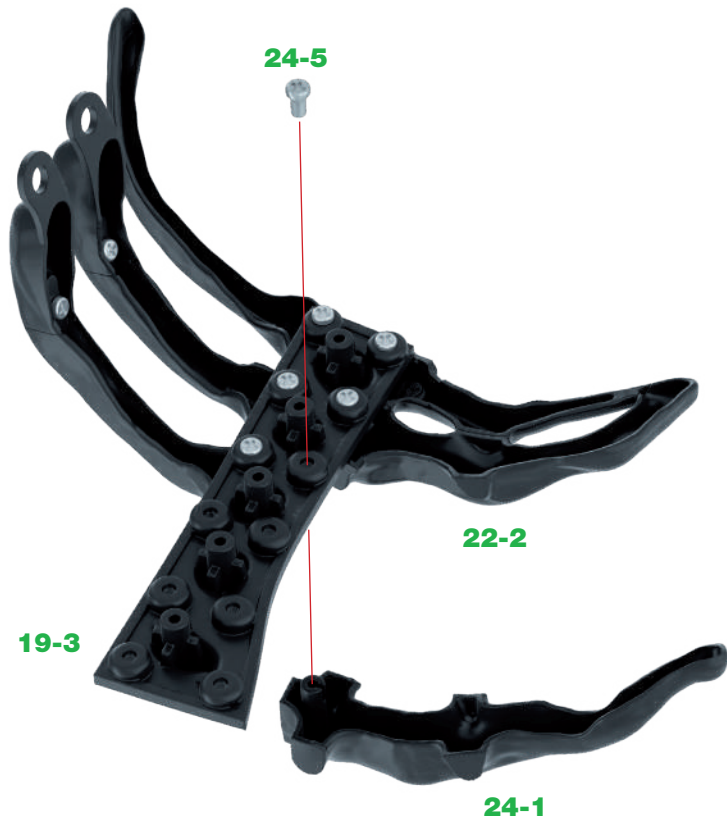
PARTS SUPPLIED

Ref.	Name	Qty.	Ref.	Name	Qty.
24-1	Right Rib	1	24-4	Pipe A5	1
24-2	Pipe A3	1	24-5	2.3x6mm screws	2*
24-3	Pipe A4	1			

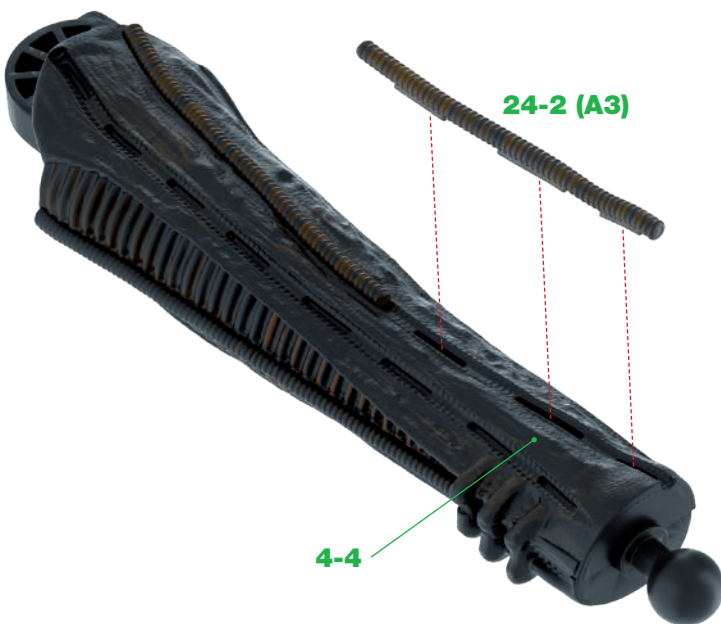
*A spare screw is supplied in case of loss or damage.

STAGE 24: THE RIGHT RIBS & THE LEG (IV)

Take the rib support assembly **19-3** from the last stage. Fit the raised screw socket at one end of Rib **24-1** into its corresponding hole in support **19-3**. Fix in place with a 2.3x6mm screw **24-5**.



1

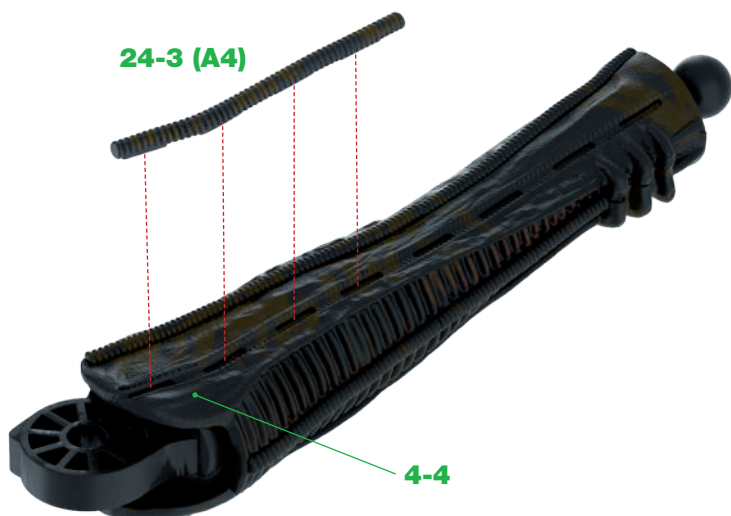


Take the right leg assembly which was worked on in stage 23 along with Pipe A3 **24-2**. After test-fitting, apply a little glue to the tabs on Pipe A3 **24-2** and firmly secure in place on Skin **4-4**.

2

STAGE 24: THE RIGHT RIBS & THE LEG (IV)

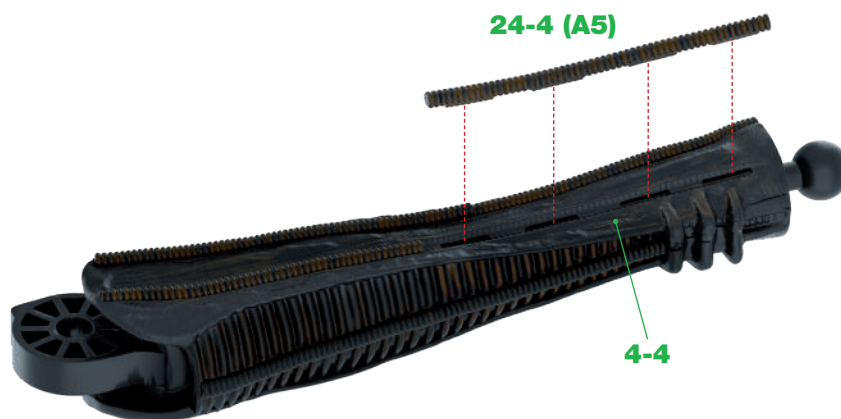
3



Repeat the previous step to attach Pipe A4 **24-3** in the position shown on the Calf Skin **4-4**.

Check the orientation of Pipe A5 **24-4** by test-fitting and glue the pipe in place.

4



STAGE 24 IS COMPLETE



ANOTHER RIB HAS BEEN ADDED AND MORE PIPES FITTED TO THE RIGHT LEG.

STAGE 25: THE RIGHT RIBS & THE RIGHT FEMUR (I)

In this stage you will continue to work on the Xenomorph's right ribs and start the assembly of the right femur.



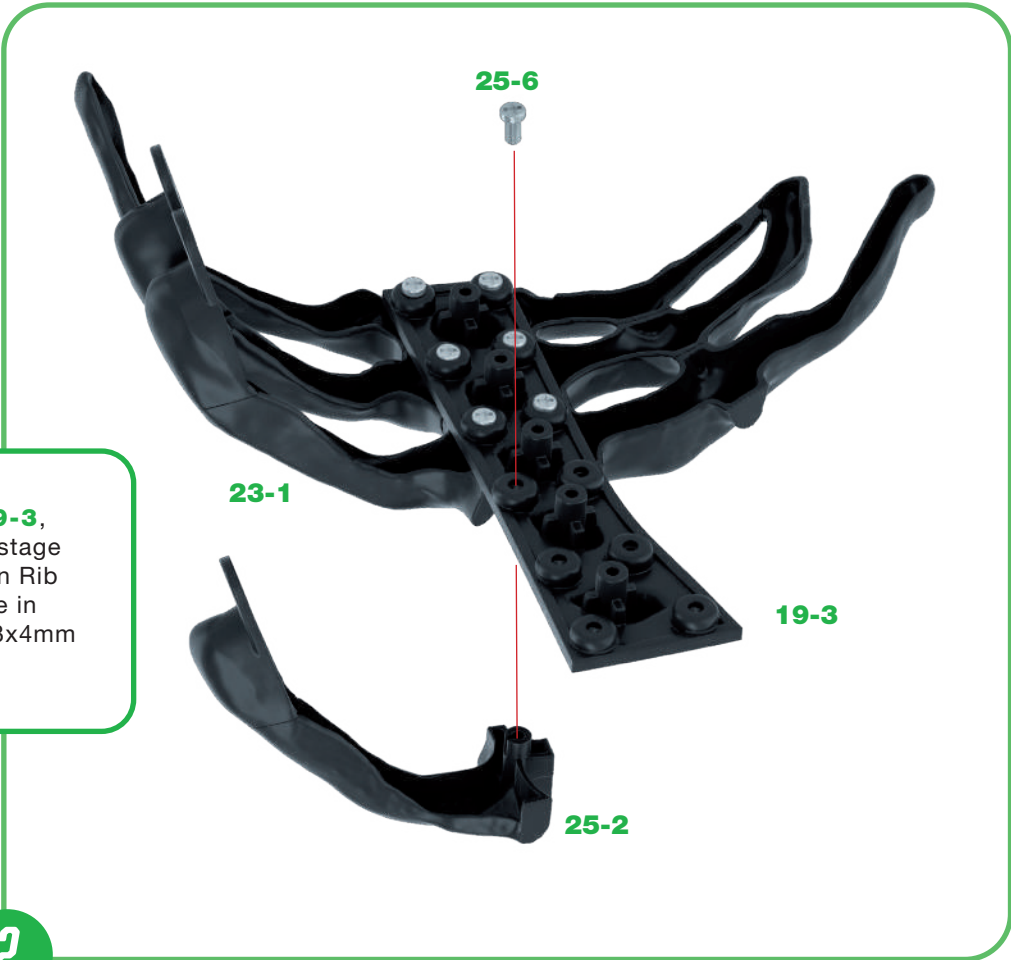
PARTS SUPPLIED

Ref.	Name	Qty.	Ref.	Name	Qty.
25-1	Right Rib	1	25-4	Connector	1
25-2	Right Rib	1	25-5	2.3x6mm screws (1 spare)	2
25-3	Right Femur	1	25-6	2.3x4mm screws (1 spare)	3

STAGE 25: THE RIGHT RIBS & THE RIGHT FEMUR (I)

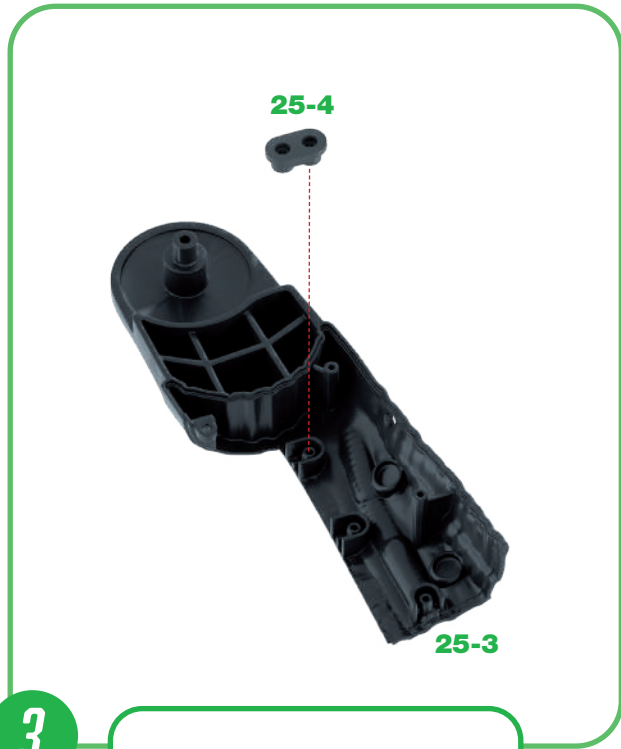


Rib parts **25-1** and **25-2** are joined together with a 2.3x4mm screw **25-6**. Note how a locating peg on Rib **25-2** fits into a raised hole in Rib **25-1**.



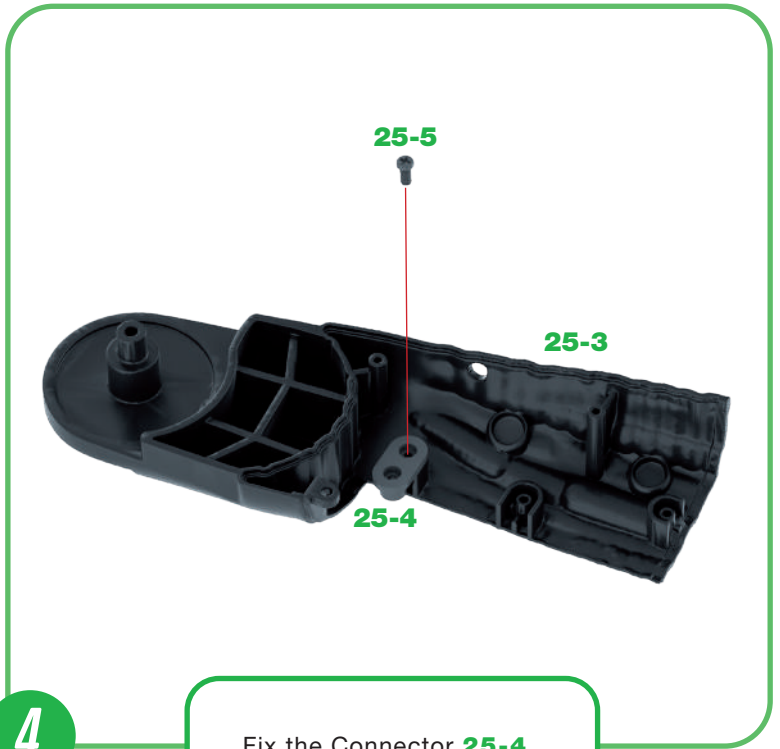
Take the rib support assembly **19-3**, which was worked on in the last stage and fit the raised screw socket on Rib **25-2** into the corresponding hole in part **19-3**. Fix in place with a 2.3x4mm screw **25-6**.

STAGE 25: THE RIGHT RIBS & THE RIGHT FEMUR (I)



3

A Connector **25-4** is now fitted to Right Femur **25-3**, as shown.



4

Fix the Connector **25-4** in place on the Right Femur **25-3** with the help of a screw **25-5**.

STAGE 25 IS COMPLETE



ANOTHER RIB HAS BEEN FITTED AND WORK HAS BEGUN ON THE RIGHT FEMUR.



STAGE 26: THE RIGHT RIBS & THE RIGHT FEMUR (II)

In this stage you will continue to build the Xenomorph's right ribs and right femur.



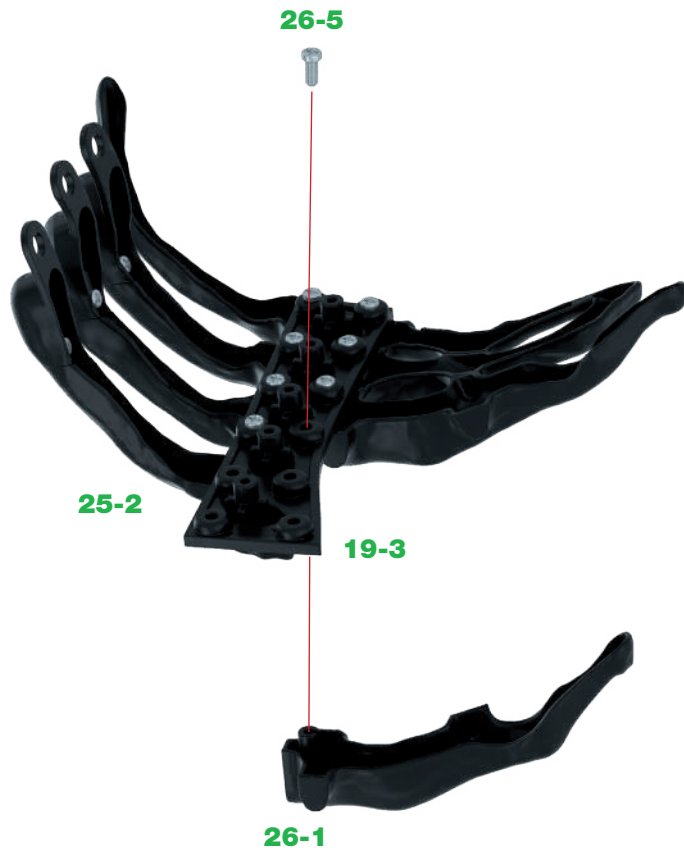
PARTS SUPPLIED

Ref.	Name	Qty.	Ref.	Name	Qty.
26-1	Right Rib	1	26-4	2.3x6mm screw black (1 spare)	4
26-2	Right Femur	1	26-5	2.3x6mm screw silver (1 spare)	2
26-3	Connector	1			

STAGE 26: THE RIGHT RIBS & THE RIGHT FEMUR (II)

EXPERT ADVICE

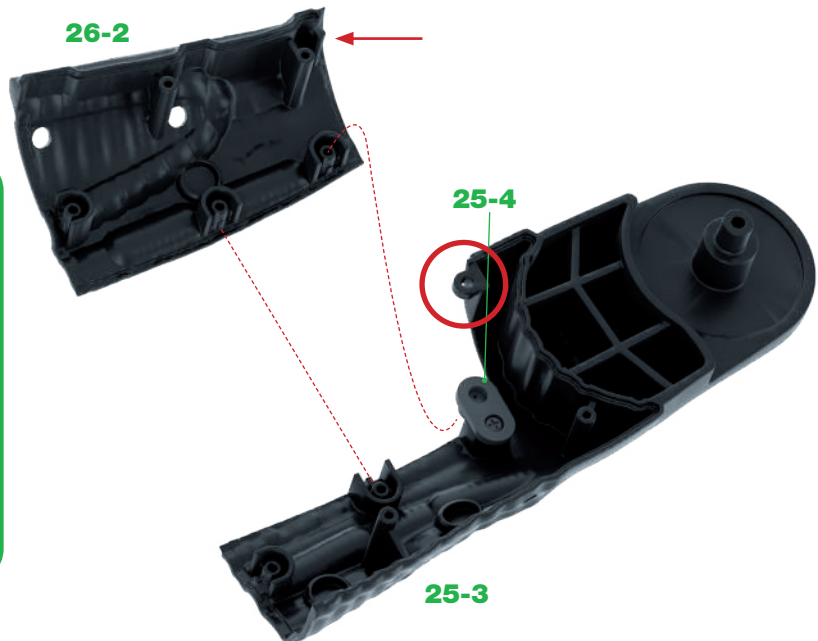
Throughout the build, there are two main types of screws used; those for metal and those for plastic. In this stage the black screws **26-4** are for plastic and the silver screws **26-5**, which have a finer thread, are for metal.



Take the rib support assembly **19-3** from the previous stage along with Rib **26-1**. Insert the raised screw socket on Rib **26-1** into the corresponding hole in the support assembly **19-3**, as shown. Fix in place with a 2.3x6mm screw **26-5** (silver).

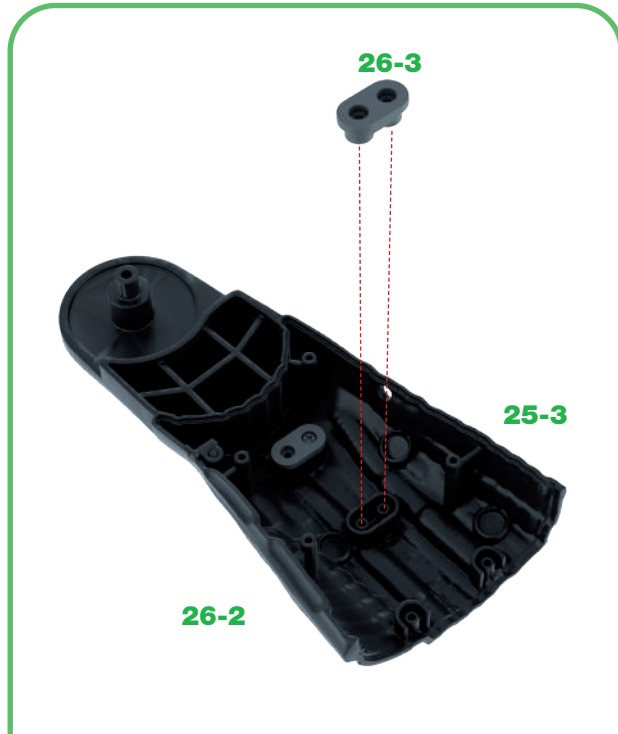
1

The Right Femur **26-2** is now attached to the femur assembly **25-3**. There is a hole in part **25-4** (circled) which fits over a peg on part **26-2** (arrow). This had a connector fitted to it in stage 25. The previously fitted Connector **25-4** fits into the raised screw socket on part **26-2**, as shown. It may help to temporarily loosen the connector during this step.



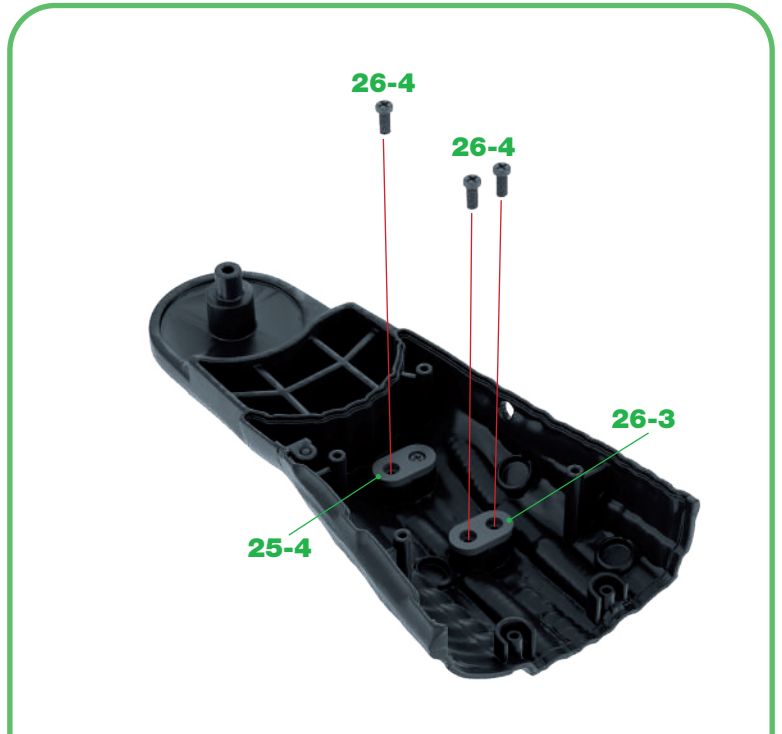
2

STAGE 26: THE RIGHT RIBS & THE RIGHT FEMUR (II)



3

Similarly, the Connector **26-3** is fitted into the other oval recess formed by parts **25-3/26-2**, as indicated.



4

Using three 2.3x6mm screws **26-4** (black) secure the Connectors **25-4** and **26-3** in place.

STAGE 26 IS COMPLETE

WORK HAS CONTINUED ON THE RIGHT FEMUR AS WELL AS ANOTHER RIB BEING FITTED.



STAGE 27: THE RIGHT RIBS & THE RIGHT FEMUR (III)

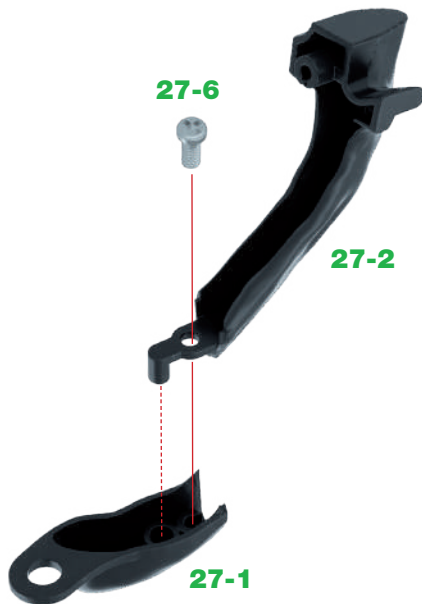
In this stage you will continue to build the Xenomorph's right ribs and right femur.



PARTS SUPPLIED

Ref.	Name	Qty.	Ref.	Name	Qty.
27-1	Right Rib	1	27-4	Connector	2
27-2	Right Rib	1	27-5	2.3x6mm screws (1 spare)	3
27-3	Right Femur	1	27-6	2.3x4mm screws (1 spare)	3

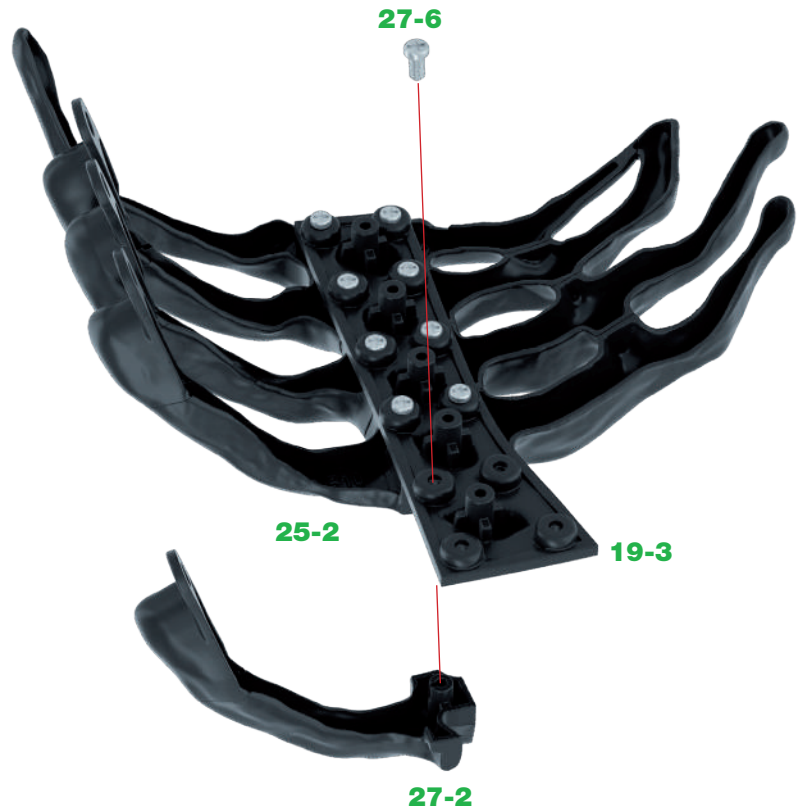
STAGE 27: THE RIGHT RIBS & THE RIGHT FEMUR (III)



The next rib is formed using parts **27-1** and **27-2**. There is a locating pin on Rib **27-2** which engages into a corresponding hole in Rib **27-1**. Secure the two parts together using a 2.3x4mm screw **27-6**.

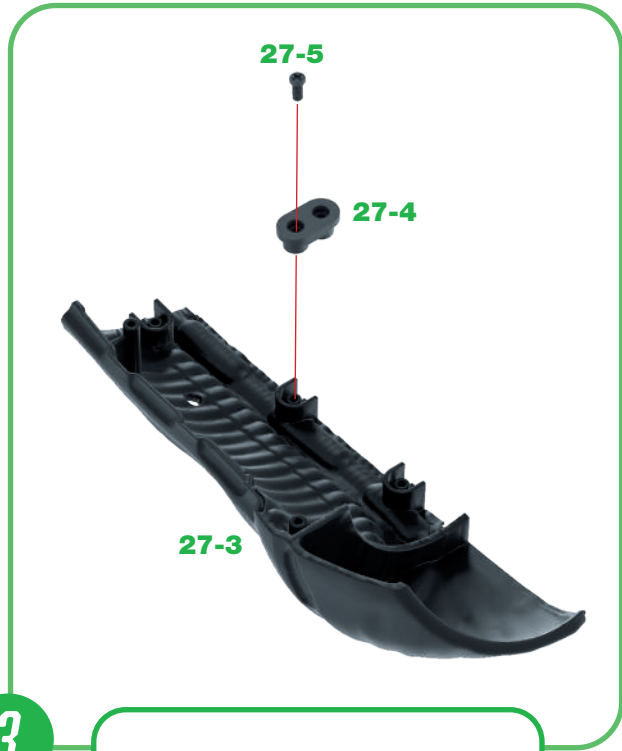
1

As with the previous ribs, fit the raised screw socket on Rib **27-2** into the corresponding hole in the rib support **19-3**. Fix in place from behind using a 2.3x4mm screw **27-6**. Put the assembly safely aside until the next stage.



2

STAGE 27: THE RIGHT RIBS & THE RIGHT FEMUR (III)



3

Next, take Right Femur **27-3**, supplied with this stage and fit one of the Connectors **27-4**, as shown. Secure in place with a 2.3x6mm screw **27-5**.



4

Repeat the previous step to add a second Connector **27-4** to the Femur, as indicated. Secure in place with a 2.3x6mm screw **27-5**.

STAGE 27 IS COMPLETE

A FURTHER RIB HAS BEEN ADDED TO THE FRAME AS WELL AS CONNECTORS TO THE FEMUR.



STAGE 28: THE RIGHT RIBS & THE RIGHT FEMUR (IV)

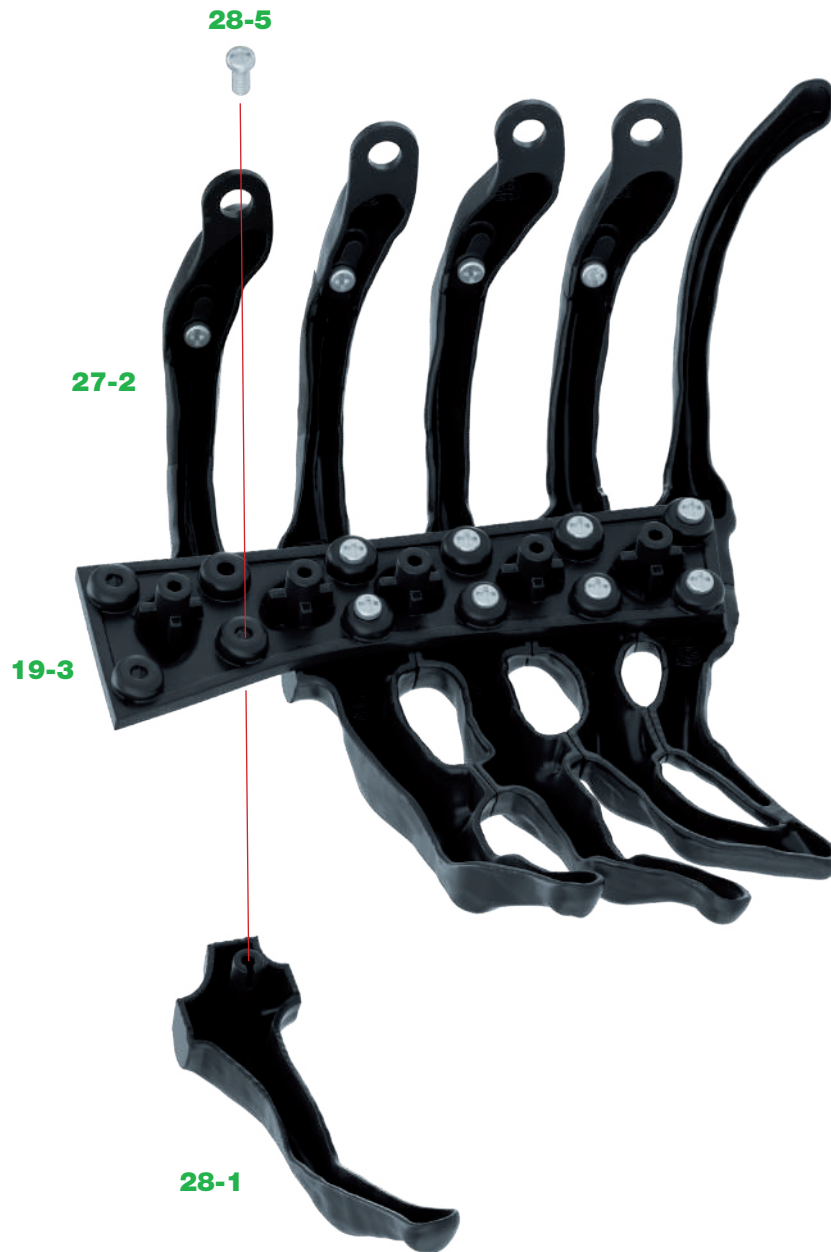
In this stage you will continue to build the Xenomorph's right ribs and right femur.



PARTS SUPPLIED

Ref.	Name	Qty.	Ref.	Name	Qty.
28-1	Right Rib	1	28-4	2.3x6mm screws Black (1 spare)	7
28-2	Right Femur	1	28-5	2.3x6mm screws Silver (1 spare)	2
28-3	Connector	2			

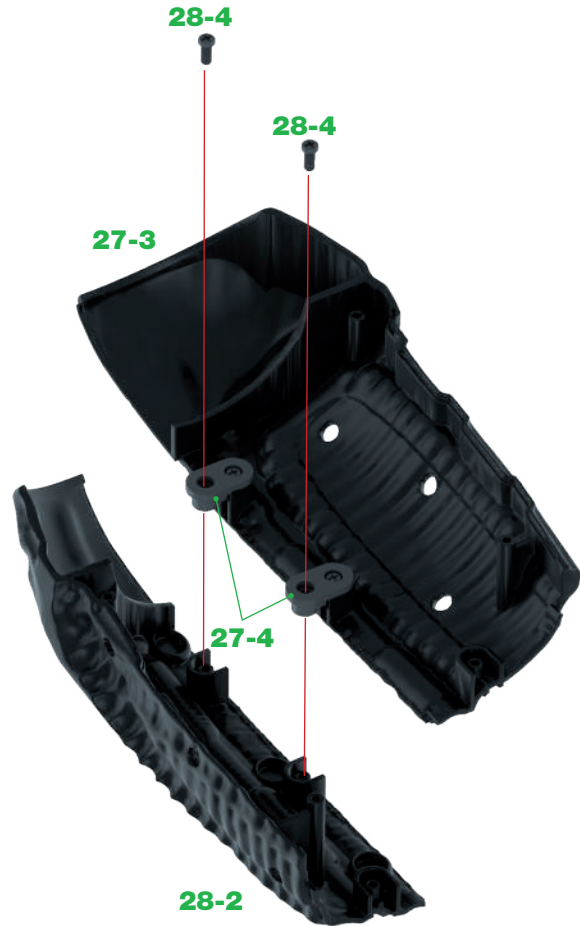
STAGE 28: THE RIGHT RIBS & THE RIGHT FEMUR (IV)



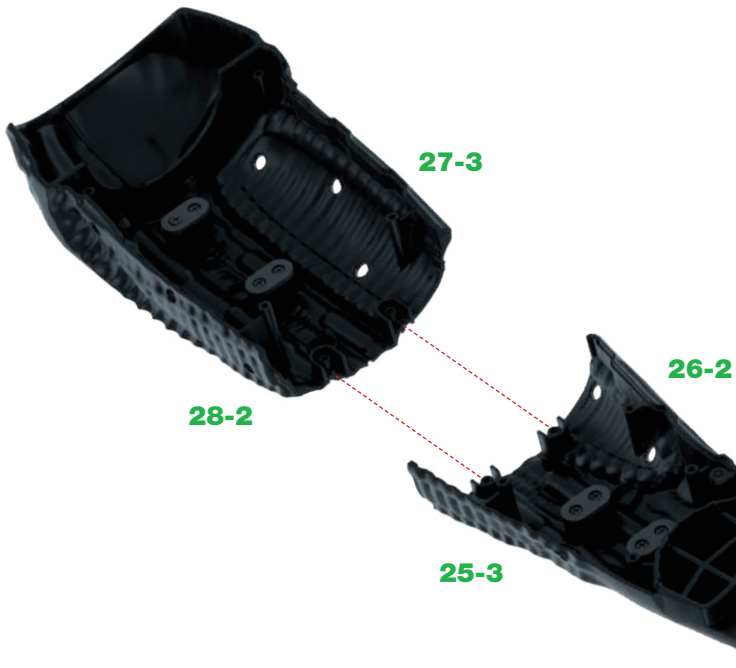
Take the rib support **19-3** which was worked on in the last stage. Fit the raised screw socket on Rib **28-1** into the hole in the support **19-3** on the opposite side to Rib **27-2**. Fix in place with a 2.3x6mm silver screw **28-5**. Put aside until it is needed in the next stage.

STAGE 28: THE RIGHT RIBS & THE RIGHT FEMUR (IV)

Next, the Right Femur **28-2** is joined to the right femur assembly **27-3** (from stage 27). Place the free end of the previously fitted Connectors **27-4** into the sockets on Rib **28-2**. You may find that you need to temporarily loosen the connector screws for the parts to fit. Secure in place with two 2.3x6mm black screws **28-4**.



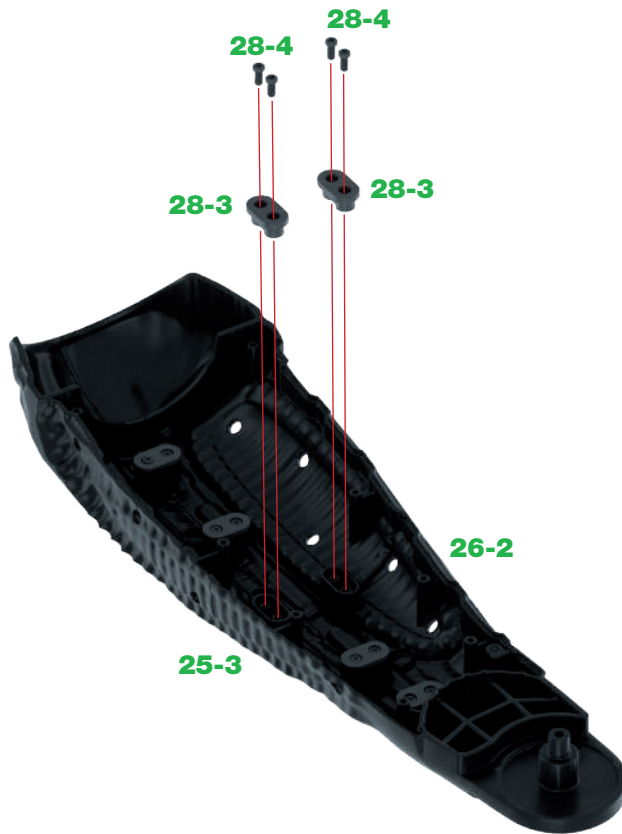
2



Take the right femur assembly **25-3/26-2** from stage 26 and align it with the femur assembly **27-3/28-2**, as shown.

3

STAGE 28: THE RIGHT RIBS & THE RIGHT FEMUR (IV)



Fit the Connectors **28-3** into the matching recesses, as shown and fix them in place using four 2.3x6mm black screws **28-4**.

4

STAGE 28 AND PACK 4 ARE NOW COMPLETE

ANOTHER RIB HAS BEEN ADDED TO THE FRAME AND MORE OF THE RIGHT FEMUR HAS BEEN ASSEMBLED.

