

# A L I E N



## Pack 03

### BUILD INSTRUCTIONS

STAGE 13: THE HEAD AND THE SKULL (II)

STAGE 14: THE SKULL & THE RIGHT LEG (I)

STAGE 15: THE SKULL & THE RIGHT LEG (II)

STAGE 16: THE SKULL & THE RIGHT LEG (III)

STAGE 17: THE RIGHT LEG (I)

STAGE 18: THE RIGHT LEG (II)

STAGE 19: THE RIGHT RIBS

STAGE 20: THE RIBS & THE RIGHT LEG (I)



## Before you start...

To help you get the best out of building the Xenomorph, we've prepared a modellers checklist with hints, tips and advice from our expert. The information below is aimed at making your build as enjoyable and professional as possible right from the start.

Make sure you have good ventilation when using adhesives and to replace caps firmly.

Always use the correct adhesives and always follow manufacturers guidance.

Apply glue sparingly and use a cocktail stick to apply so that you don't use too much nor apply the glue too heavily.

Work in a well lit area. Use an anglepoise lamp or similar on your work bench to ensure you have good light whenever you're at work.

Organise storage – stackable, labeled containers like old clean takeaway or ice-cream plastic tubs with lids are perfect. Small parts which may not be needed until a later stage should be kept in clear plastic and labeled bags.

Use masking tape to hold parts temporarily in place.

Only use the correct size screwdriver that fits the screw head firmly.

Cut parts from a sprue (framework) with side cutters or a craft knife. Side cutters tend to be easiest.

Use a magnet to help find screws that have fallen on the floor.

Leave parts in the paper bags supplied until they are needed. You can write a note of the stage and part on the paper bag too.

If a screw is tight, try turning a half turn forwards followed by a quarter turn backwards. Also, it can sometimes help to temporarily fit a screw into its hole before assembling the parts.

But most of all, enjoy your build!



**WARNING:** Some parts are assembled using magnets. These magnets can cause serious injury if they are swallowed. Keep away from children. If you suspect a magnet has been swallowed, seek medical help straight away.

All parts belong to a kit. Collectors item for adults.

Not suitable for children under 14.

Some parts may have sharp edges, please handle them with care.

The installation of electronic parts must always be carried out by an adult. When replacing batteries, use the same type of batteries.

Please ensure that the battery compartment is securely fastened before you use the model.

Used batteries should be recycled.

Please make sure to check with your local authority how batteries should be disposed of in your area.

Batteries can present a choking danger to small children and may cause serious harm if ingested. Do not leave them lying around and keep any spare batteries locked away at all times.

# STAGE 13: THE HEAD AND THE SKULL (II)

In this stage you will continue to assemble different parts of the Xenomorph's head and skull.



## PARTS SUPPLIED

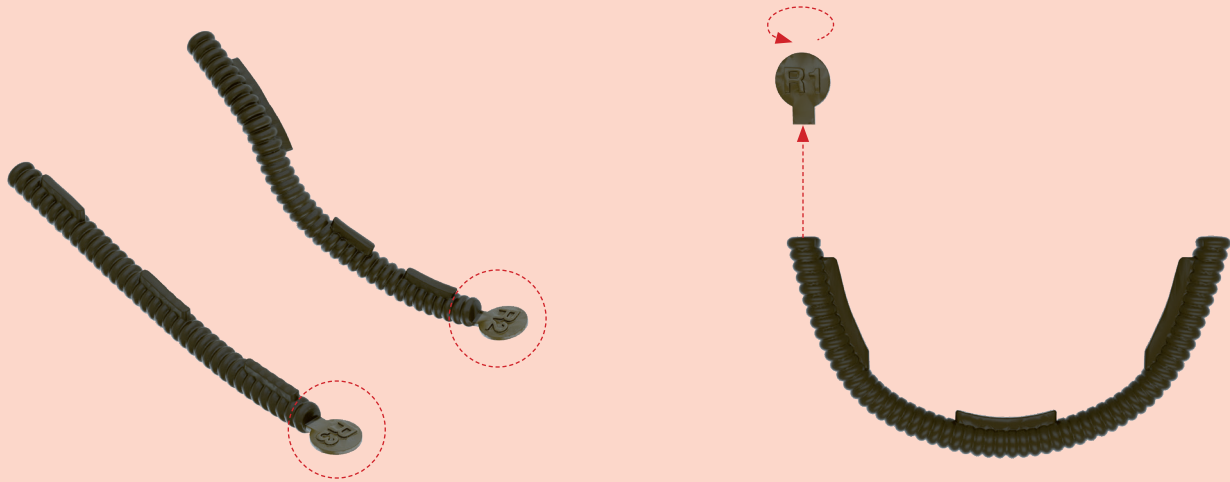
Ref.	Name	Qty.	Ref.	Name	Qty.
13-1	Lower Back Part of the Head	1	13-4	Pipe R3	1
13-2	Pipe R1	1	13-5	2.3x6mm screws	3*
13-3	Pipe R2	1			

\*A spare screw is supplied in case of loss or damage.

## STAGE 13: THE HEAD AND THE SKULL (II)

### EXPERT ADVICE

From this stage onwards, the Pipes provided will be attached to small numbered tabs which will allow for quick identification. Before adding them to the assembly, gently twist the tab to remove it from the piece.



**13-2 (R1)**



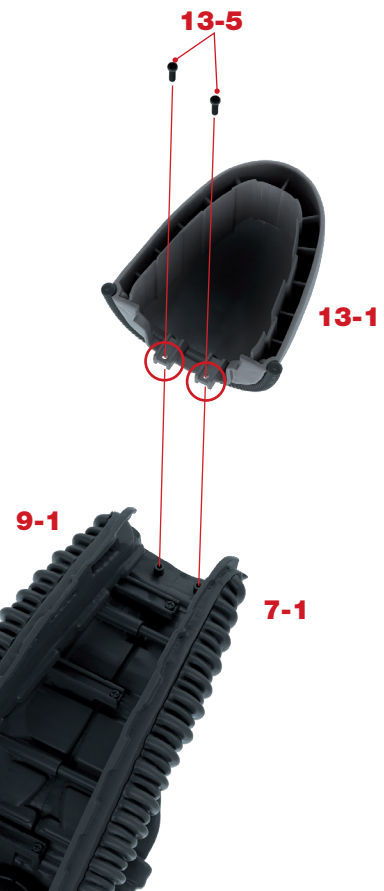
Take the Lower Back Part of the Head **13-1** and Pipe R1 **13-2**. Test-fit the pipe before gluing in place, as shown.



## STAGE 13: THE HEAD AND THE SKULL (II)

Take the head assembly you worked on in stage 12 and orientate Head part **13-1** as shown. The tabs on Head part **13-1** (circled) fit over raised screw sockets on parts **7-1** and **9-1**. Fix in place with two 2.3x6mm screws **13-5**.

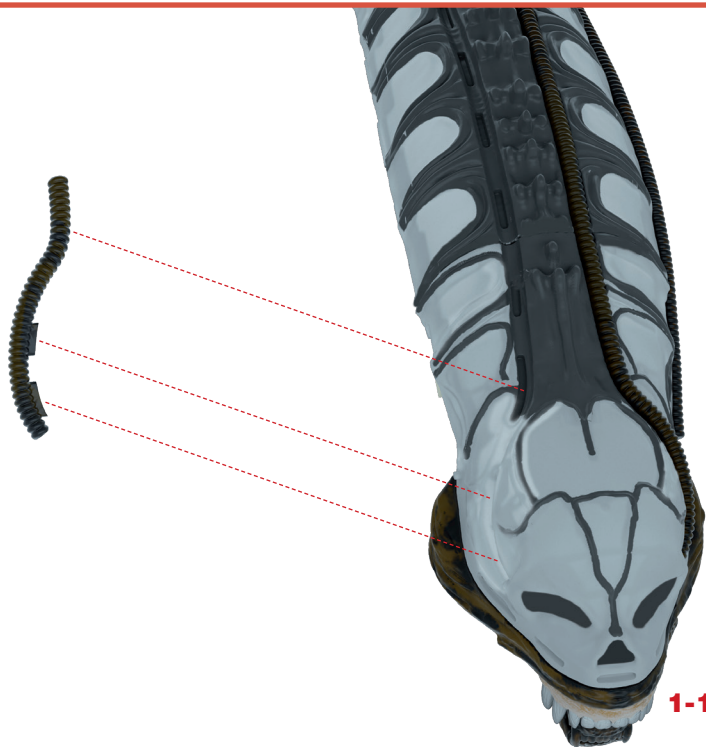
2



13-3  
(R2)

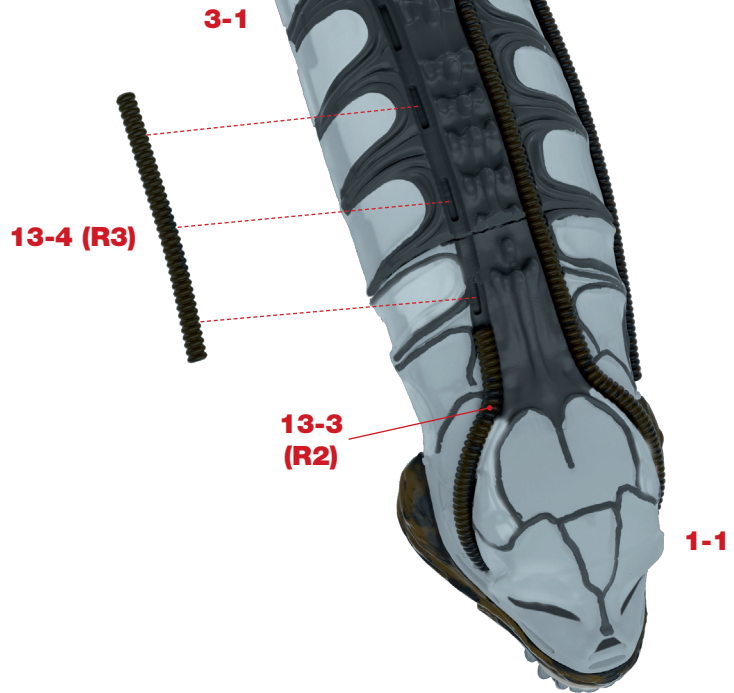
Next, take the skull assembly which was also worked on in the last stage. After test-fitting the tabs of Pipe R2 **13-3** into the slots on the right-hand side of the skull **1-1**, glue in place.

3



## STAGE 13: THE HEAD AND THE SKULL (II)

To finish, test-fit the tabs on Pipe R3 **13-4** into the next three slots and glue in place.



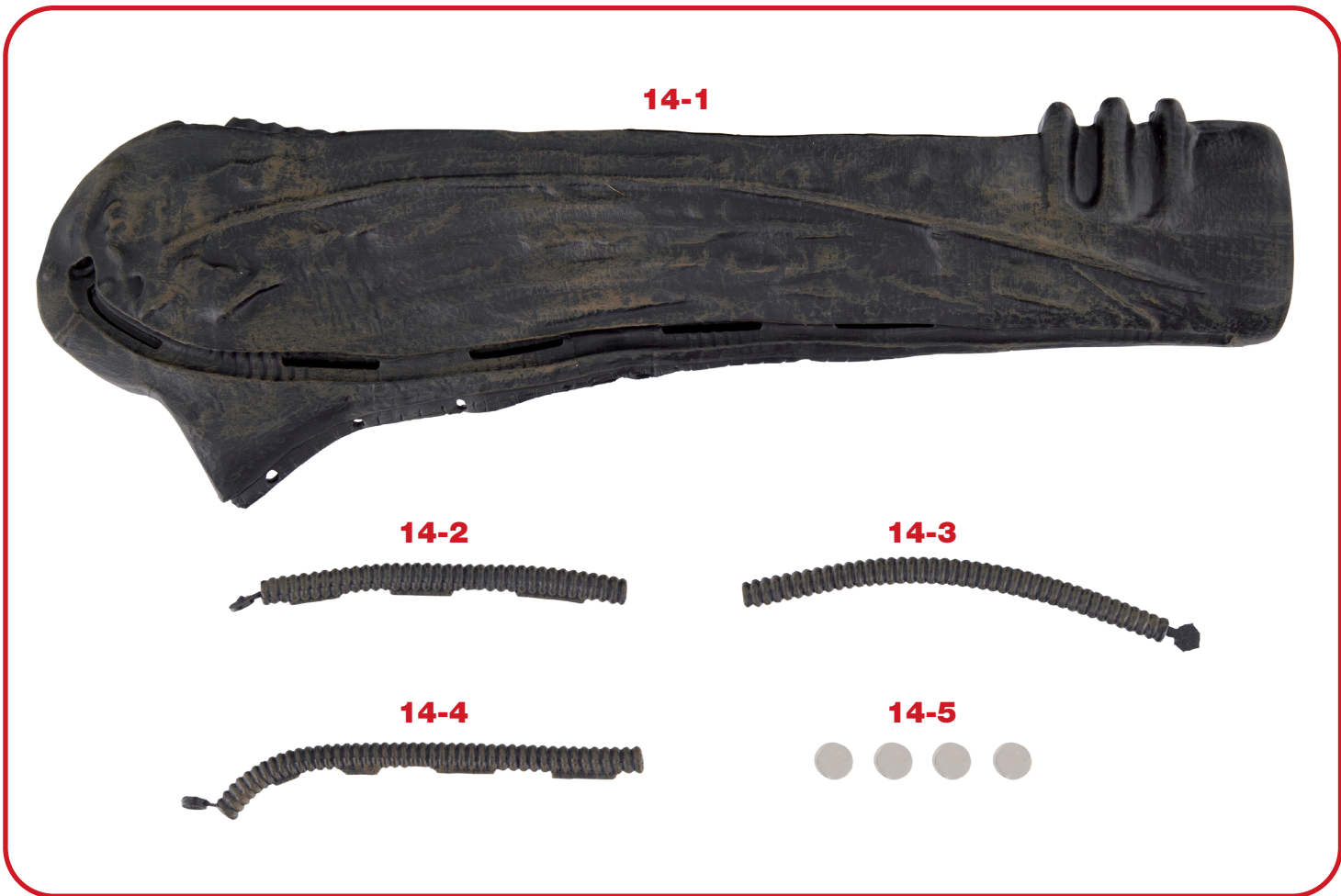
## STAGE 13 IS COMPLETE



*FURTHER PARTS HAVE BEEN FITTED TO THE HEAD AND SKULL.*

# STAGE 14: THE SKULL & THE RIGHT LEG (I)

In this stage you will continue to add appendages to the skull as well as working on parts of the right calf.

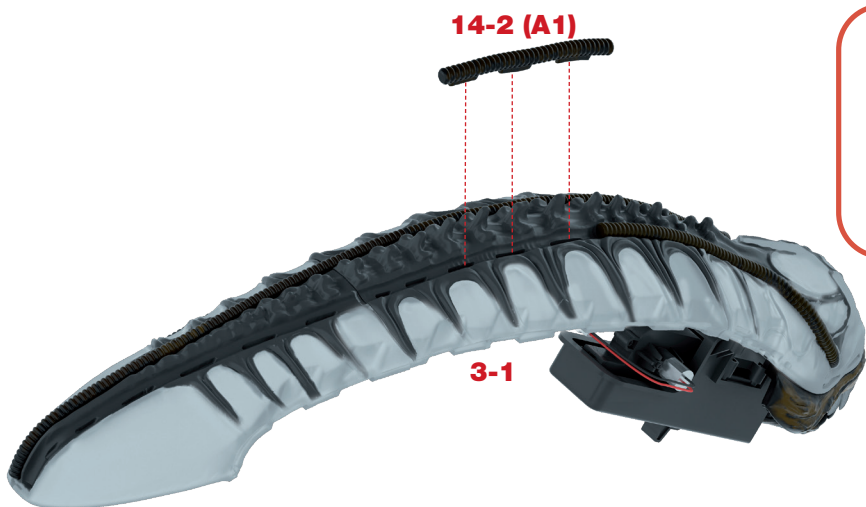


## PARTS SUPPLIED

Ref.	Name	Qty.	Ref.	Name	Qty.
14-1	Skin (right calf) 1	1	14-4	Pipe A3 (skull)	1
14-2	Pipe A1 (skull)	1	14-5	Magnets	4
14-3	Pipe A2 (skull)	1			

## STAGE 14: THE SKULL & THE RIGHT LEG (I)

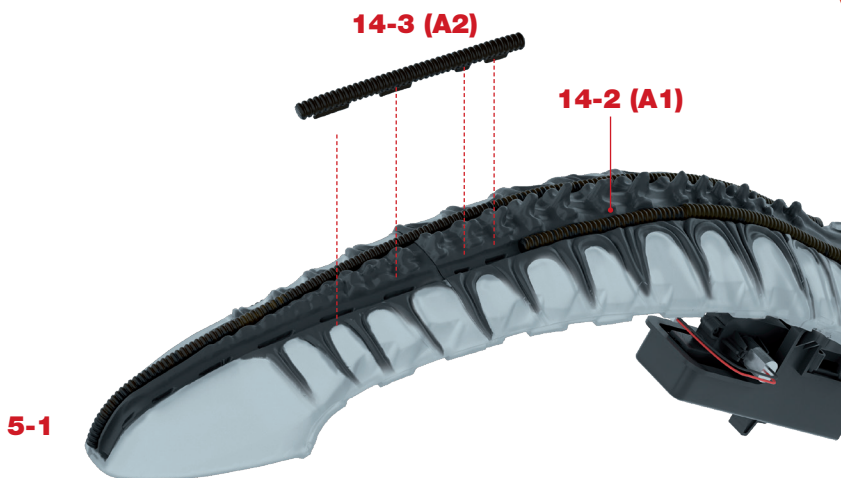
1



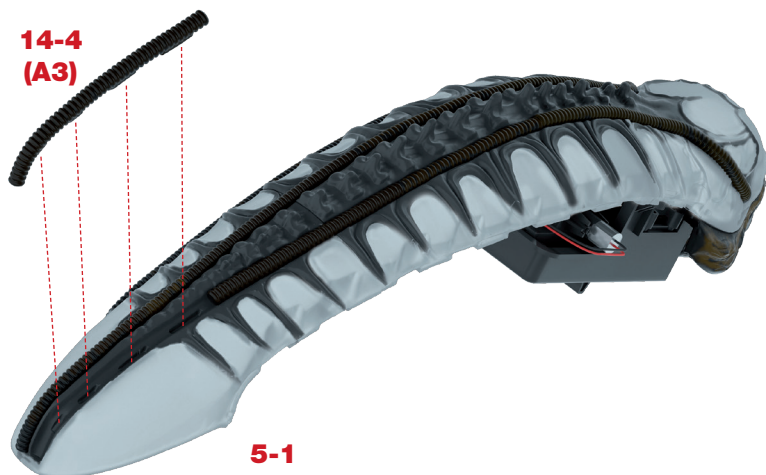
Take the skull assembly which was worked on in the last stage and continue fitting the pipes on the right-hand side. Check the fit of Pipe A1 **14-2** and glue firmly in place on skull part **3-1**.

2

Repeat the previous step to secure Pipe A2 **14-3** as a continuation of Pipe A1 **14-2**.



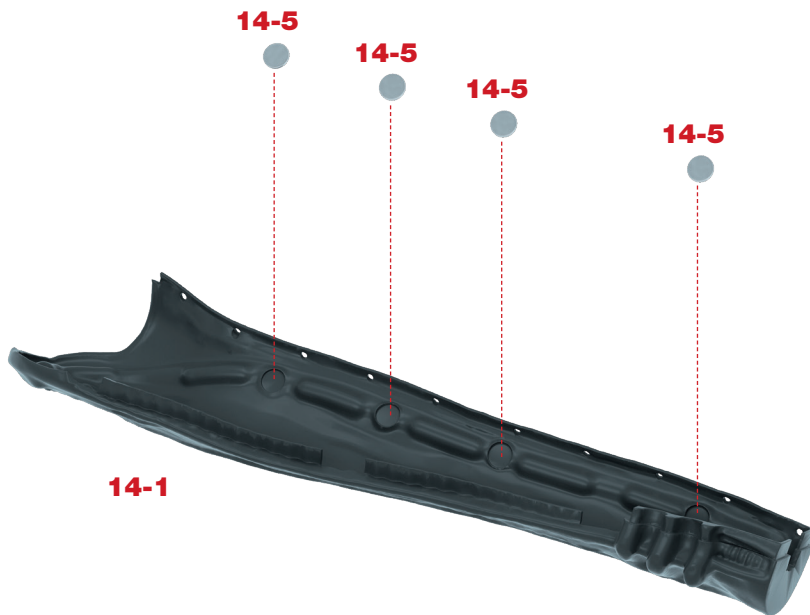
3



Finish the line of pipes along the right side of the skull by fitting Pipe A3 **14-4**. Check the fit and glue firmly in place.



## STAGE 14: THE SKULL & THE RIGHT LEG (I)



Finally, take the Calf Skin **14-1** and fit the four Magnets **14-5** into the circular recesses as shown on the left. Secure them in place with a little glue. This time, it doesn't matter which way round the magnets are fitted.

**EXPERT TIP:** As some of the skin parts look quite similar, it may help to label the inside of the part. This could be done by writing the part number on a small piece of masking tape.

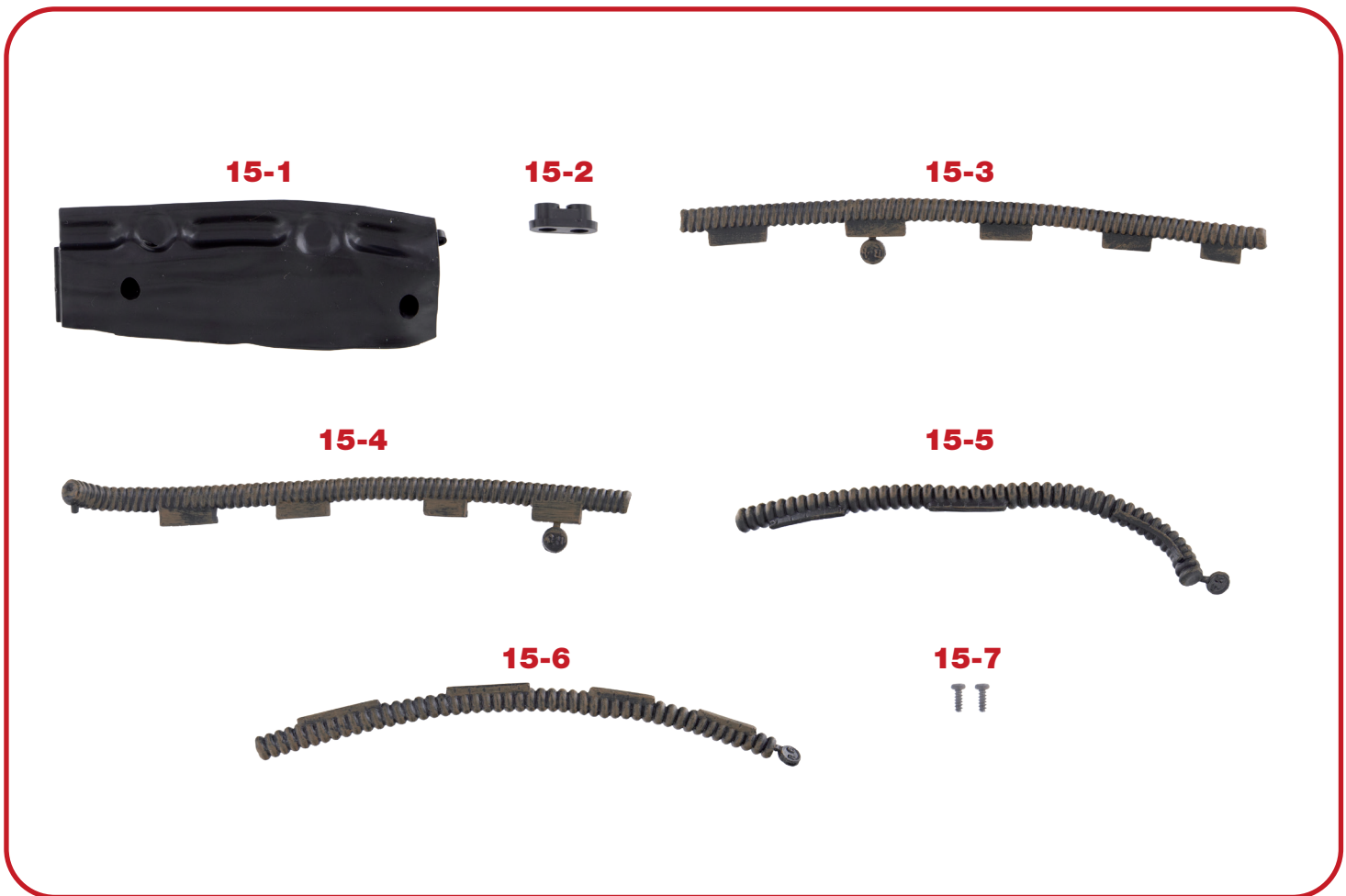
4

## STAGE 14 IS COMPLETE



# STAGE 15: THE SKULL & THE RIGHT LEG (II)

In this stage you will continue to add appendages to the skull as well as working on parts of the right calf.

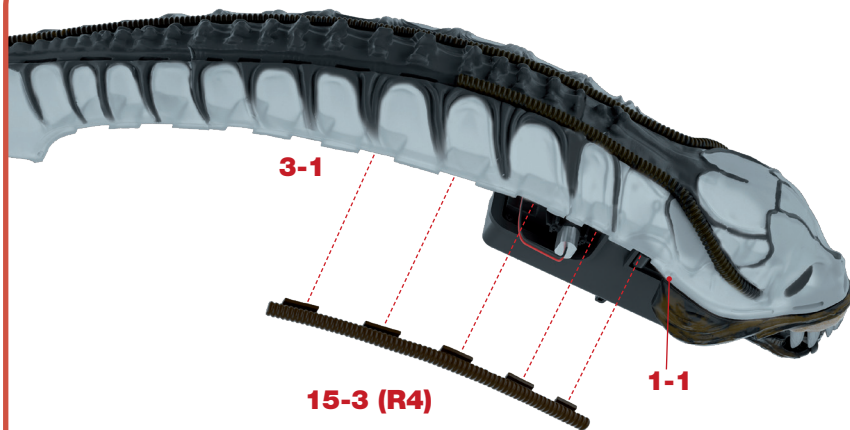


## PARTS SUPPLIED

Ref.	Name	Qty.	Ref.	Name	Qty.
15-1	Right Tibia 1	1	15-5	Pipe R7	1
15-2	Connector	1	15-6	Pipe R6	1
15-3	Pipe R4	1	15-7	2.3x6mm screws	2*
15-4	Pipe R5	1			

\*A spare screw of each type is supplied in case of loss or damage.

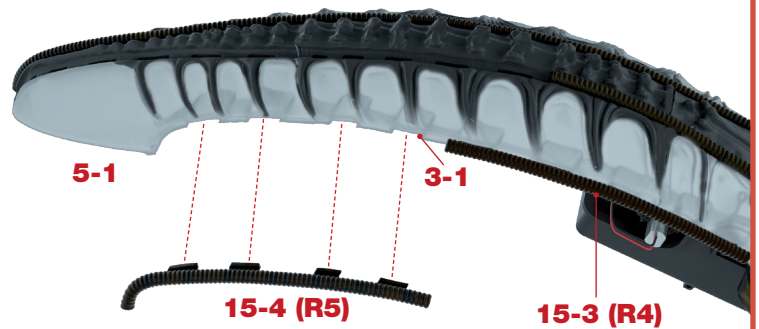
## STAGE 15: THE SKULL & THE RIGHT LEG (II)



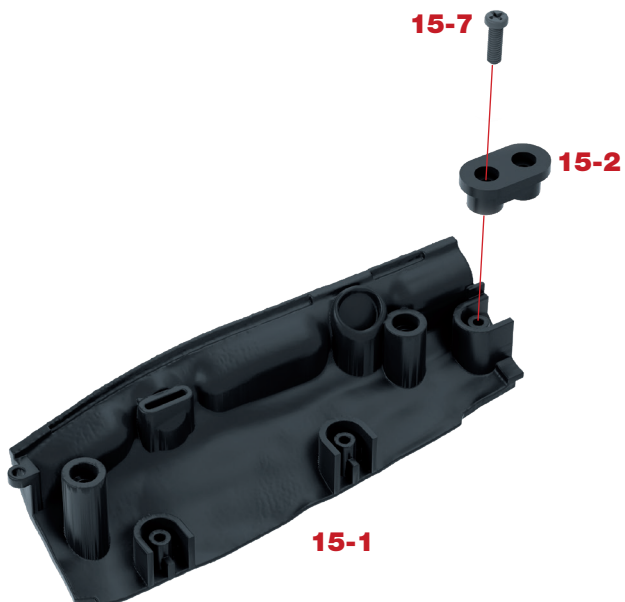
Take the skull assembly you worked on in the previous stage. Check that the tabs on Pipe R4 **15-3** fit correctly into the notches underneath the Skull **1-1** and **3-1**, then fix in place with a little glue. The pipe may need to be stretched slightly to fit.

1

Repeat the previous step to fit Pipe R5 **15-4** into the notches underneath parts **3-1** and **5-1** so that it continues Pipe R4 **15-3**. A peg at the end of Pipe **15-4** fits into a hole in part **5-1**. Again, the pipe may need to be stretched slightly to fit.



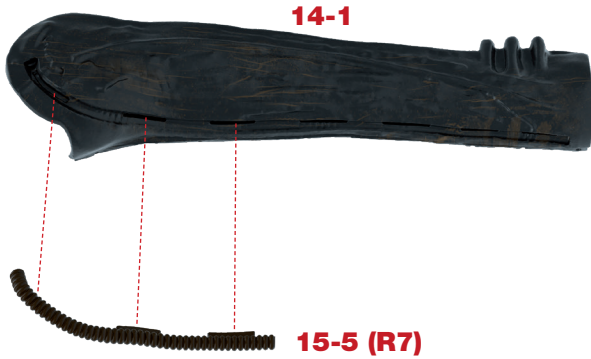
2



Take the Right Tibia **15-1** and the Connector **15-2**. The Connector is fitted, as shown on the left and secured in place with a 2.3x6mm screw **15-7**. Put the part aside until it is needed in the next stage.

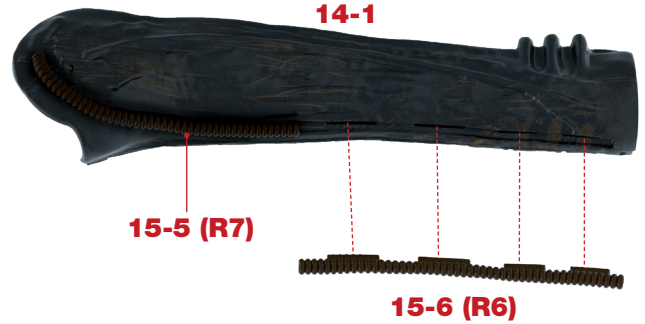
3

## STAGE 15: THE SKULL & THE RIGHT LEG (II)



4

Take the right Calf Skin **14-1**, supplied with the previous stage, along with the Pipe R7 **15-5**. Before fixing in place with a little glue, check that the tabs on Pipe R7 **15-5** fit properly into the slots on the Calf Skin **14-1**. Hold in place until the glue has set.



5

Repeat the previous step to attach Pipe R6 **15-6** to the Calf Skin **14-1**. Pipe R6 **15-6** is a continuation of Pipe R7 **15-5**. Again, hold the pipe in place until the glue has set.

## STAGE 15 IS COMPLETE

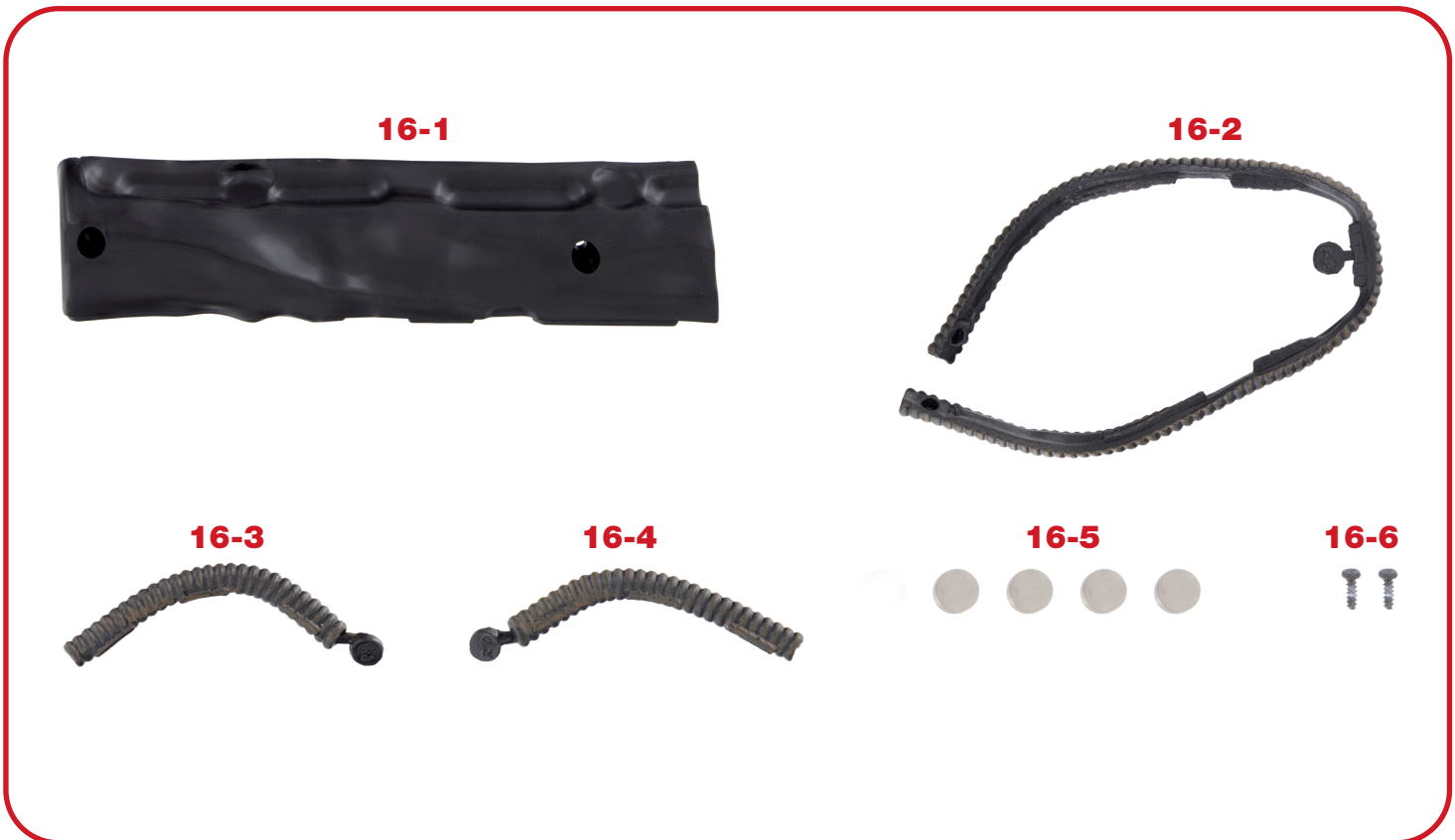


*MORE PIPES HAVE BEEN FITTED TO THE SKULL AND CALF SKIN ALONG WITH A CONNECTOR ON THE TIBIA.*



# STAGE 16: THE SKULL AND THE RIGHT LEG (III)

In this stage you will continue to add appendages to the skull as well as starting work on building the right tibia.

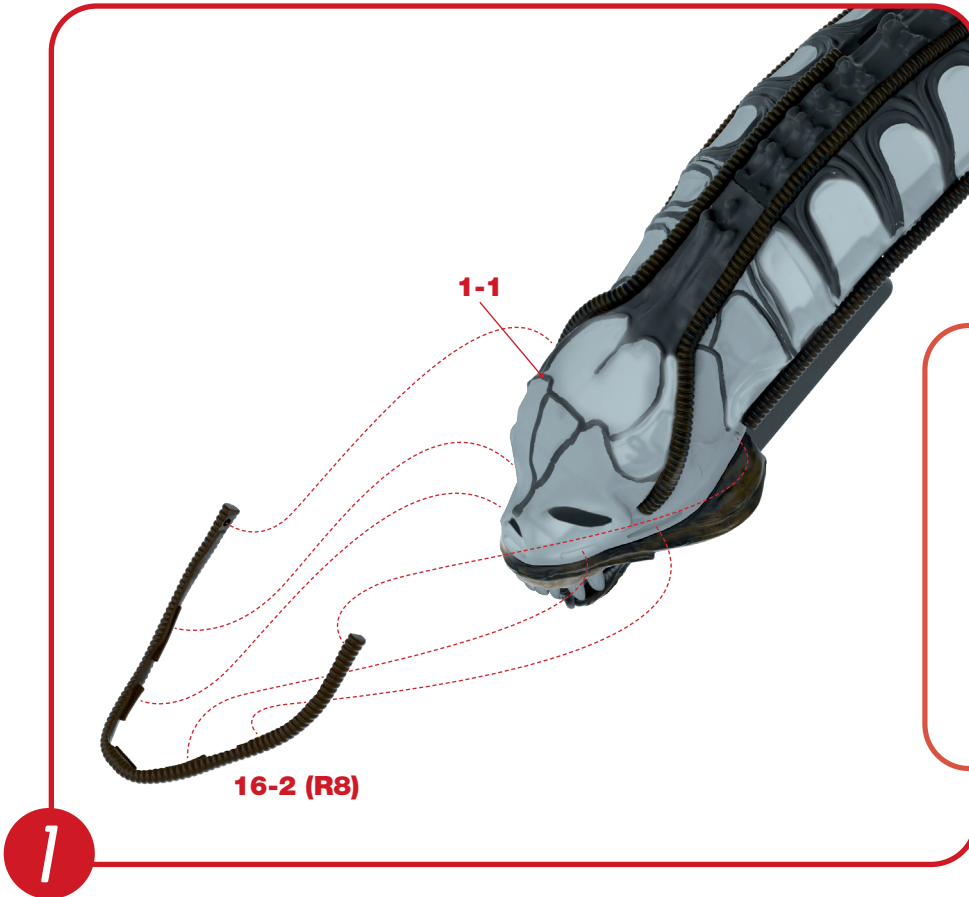


## PARTS SUPPLIED

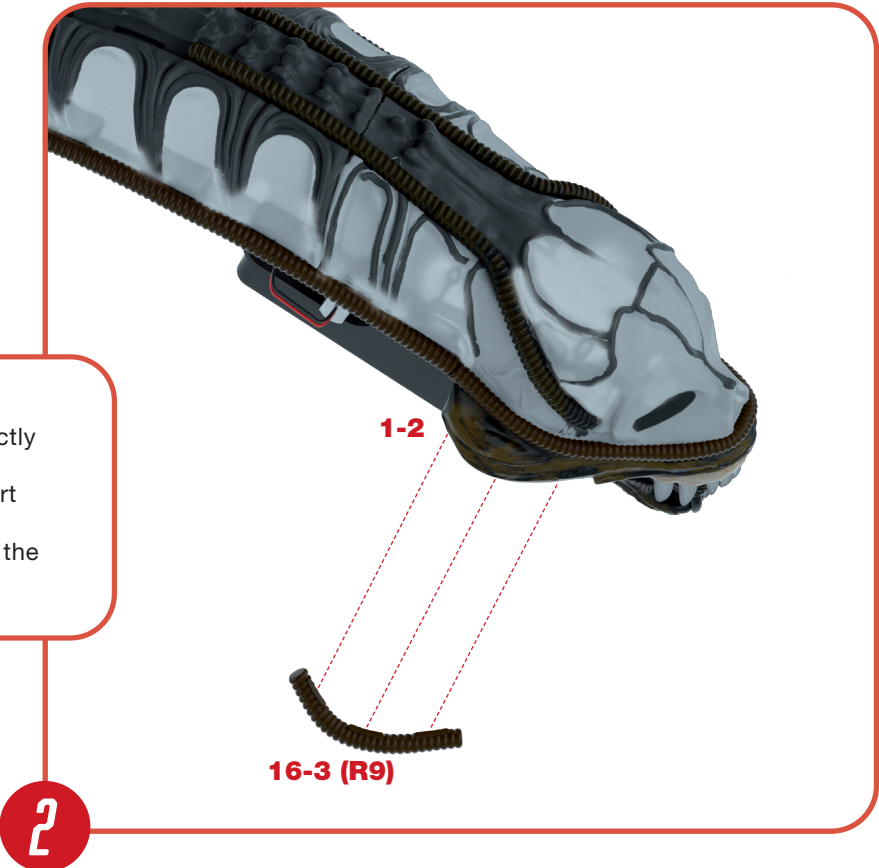
Ref.	Name	Qty.	Ref.	Name	Qty.
16-1	Right Tibia	1	16-4	Pipe R10 (skull)	1
16-2	Pipe R8 (skull)	1	16-5	Magnets	4
16-3	Pipe R9 (skull)	1	16-6	2.3x6 mm screws	2*

\*A spare screw is supplied in case of loss or damage.

## STAGE 16: THE SKULL & THE RIGHT LEG (III)



Take the skull assembly that you worked on in the previous stage. Check that the Pipe R8 **16-2** fits correctly in place at the front of the Skull **1-1**. Study the ends of the pipe closely and note that there is a hole at each end that fits over a peg each side of the skull part **1-1**. When sure of a good fit, apply a little glue to the tabs on Pipe R8 **16-2** and the pegs on skull part **1-1** and secure the pipe in place.

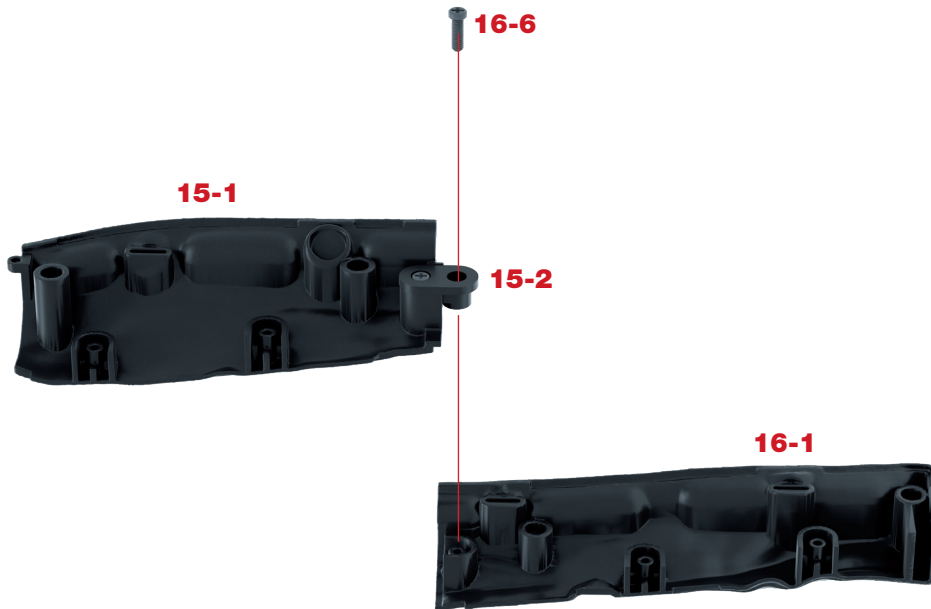
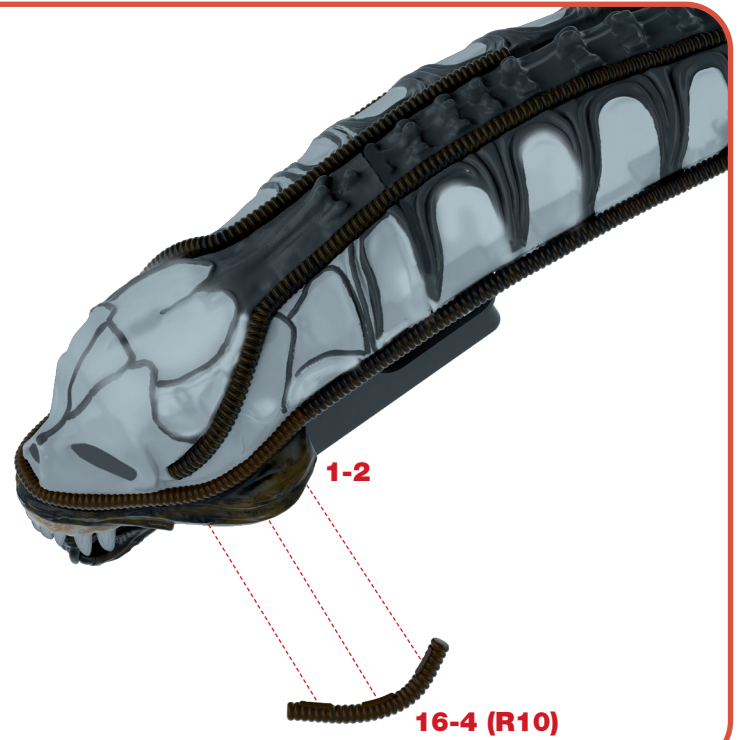


Check that the tabs on Pipe R9 **16-3** fit correctly into the slots in the underside of the left part of the Jaw **1-2**. Once happy with the fit, glue the pipe in place.

## STAGE 16: THE SKULL & THE RIGHT LEG (III)

Repeat the previous step to fit the Pipe R10 **16-4** underneath the other side of the Jaw **1-2**.

3

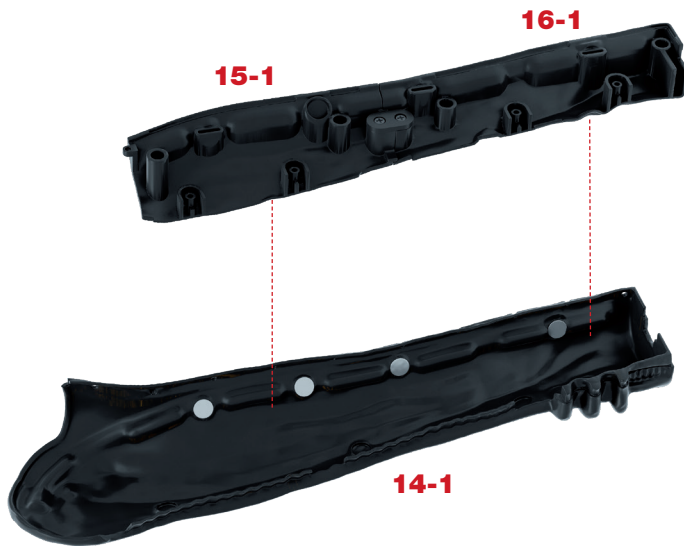


4

Taking the Tibia **15-1** from the last stage along with Tibia **16-1**, join the parts together using the Connector **15-2** then secure the parts with a 2.3x6mm screw **16-6** as shown.

## STAGE 16: THE SKULL & THE RIGHT LEG (III)

5

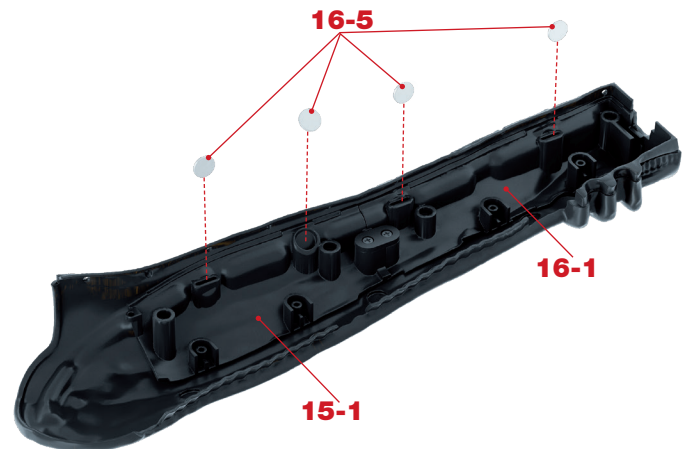


Take the Right Calf Skin **14-1** which was worked on in stage 14 and the Tibia parts **15-1/16-1**. Place the Tibia **15-1/16-1** on top of the Right Calf Skin **14-1**, as shown.

To hold the skin to the tibia, Magnets **16-5** will now be fitted to the assembly **15-1/16-1**. To do this, slot a Magnet **16-5** into the first recess on the left. The magnetic pole is automatically attracted towards the magnet already fitted below on the Calf Skin **14-1**. If fitted incorrectly, the poles will repel and the magnet may even jump out of the recess.

In a similar manner, fit the remaining magnets. Again, the magnets already in place below will attract the magnets to be fitted. When you are happy with the polarity of the Magnets **16-5**, glue in place.

6



## STAGE 16 IS COMPLETE



*MORE PIPES HAVE BEEN FITTED TO THE SKULL AND WORK HAS CONTINUED ON THE RIGHT LEG. PUT THE HEAD SAFELY ASIDE UNTIL IT IS NEEDED IN A LATER STAGE.*

# STAGE 17: THE RIGHT LEG(I)

In this stage you will continue to assemble parts of the right tibia and leg.



## PARTS SUPPLIED

Ref.	Name	Qty.	Ref.	Name	Qty.
17-1	Right Tibia 1	1	17-3	Magnets	4
17-2	Connector	1	17-4	2.3x6mm screws	2*

\*A spare screw is supplied in case of loss or damage.



## STAGE 17: THE RIGHT LEG (I)

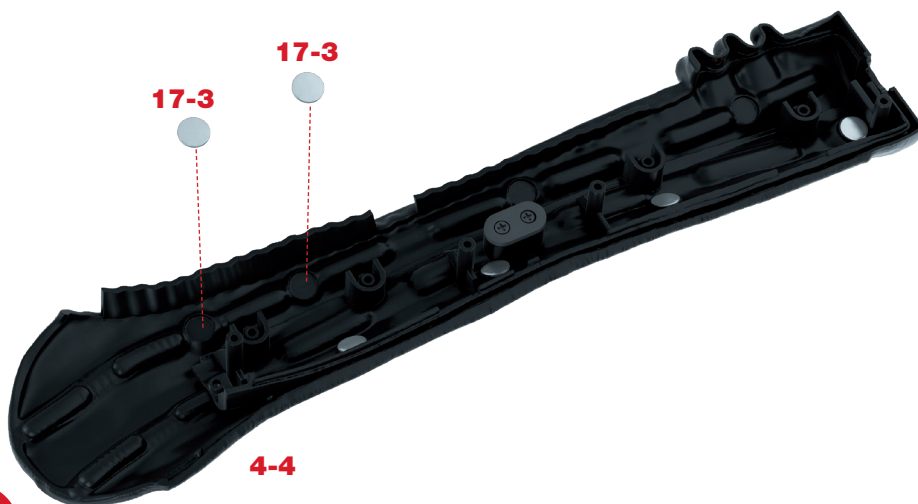
Place the Right Tibia **17-1** on the work surface and note from the diagram how Connector **17-2** fits into the oval recess on part **17-1**.

1



Use a 2.3x6mm screw **17-4** to fix the Connector **17-2** in place.

2

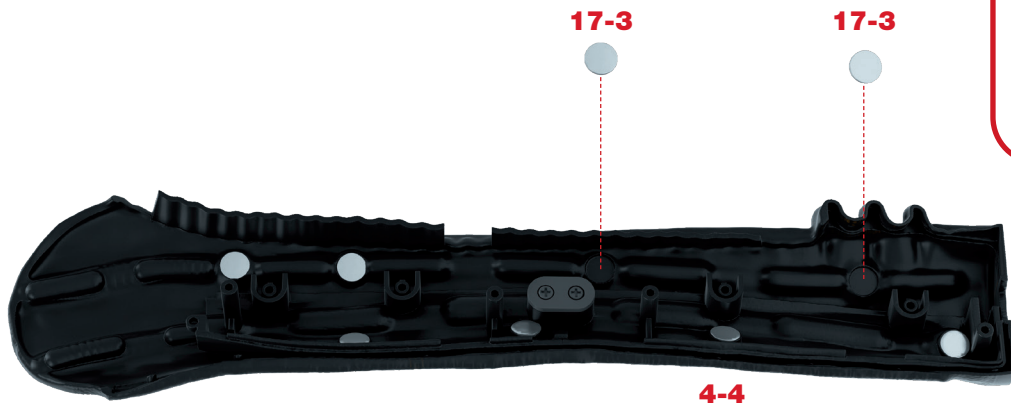


Take the right calf assembly **4-4** which was last worked on in stage 4. Fit two Magnets **17-3** into the circular recesses, as shown, and secure in place with a little glue. It doesn't matter which way up the magnets are fitted.

3

## STAGE 17: THE RIGHT LEG (I)

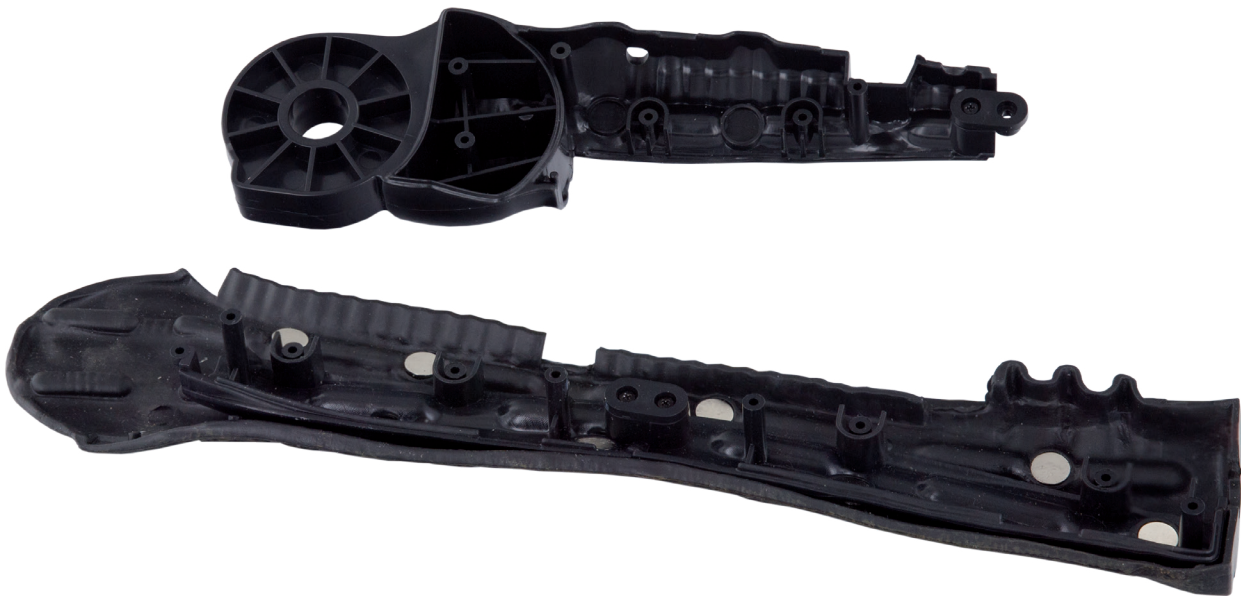
4



Repeat the previous step to add the remaining two Magnets **17-3** to part **4-4**, as shown. Again, it doesn't matter which way up the magnets are fitted.

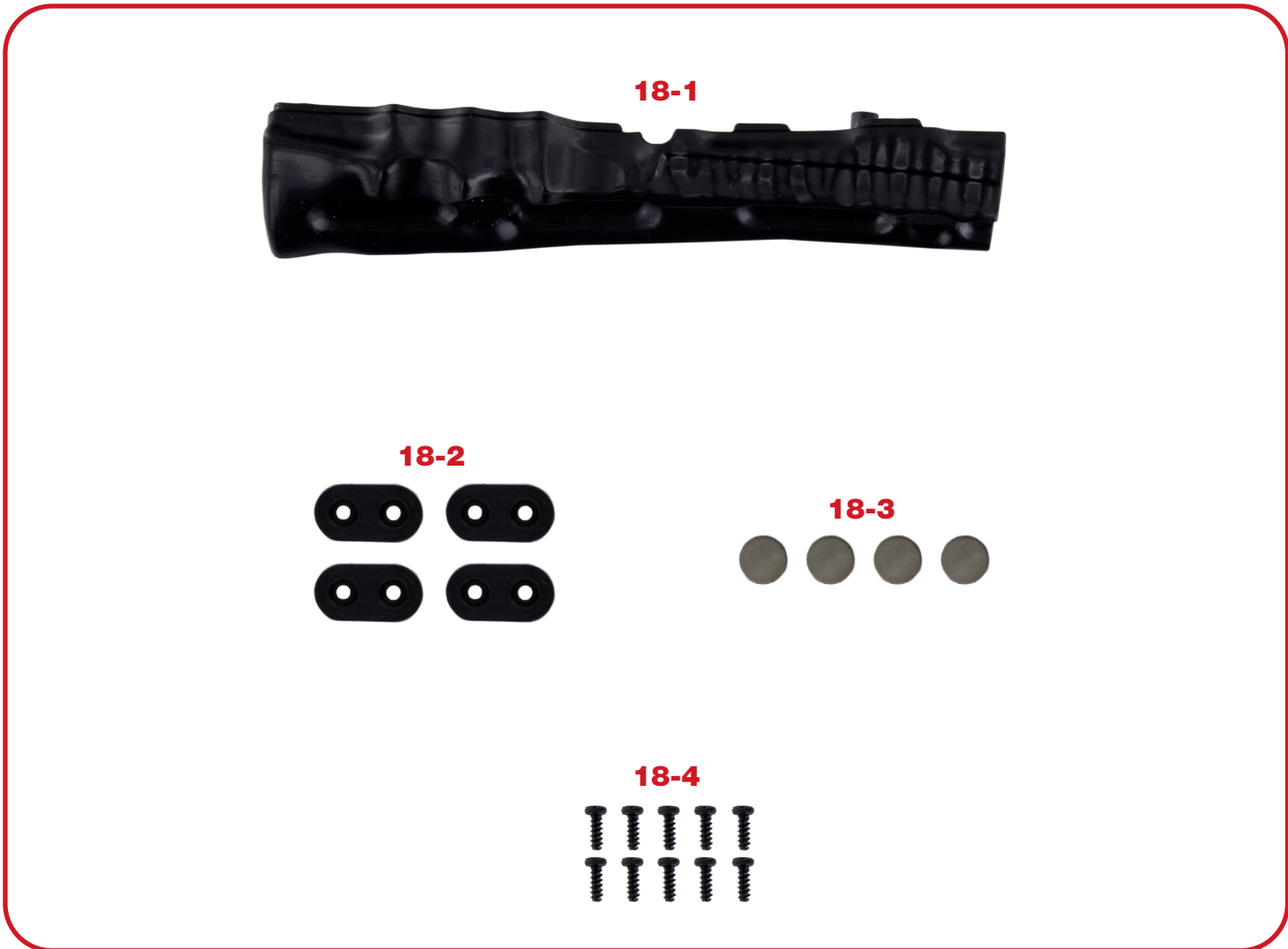
## STAGE 17 IS COMPLETE

*WORK HAS CONTINUED ON THE RIGHT LEG WITH A CONNECTOR AND MAGNETS BEING ADDED.*



# STAGE 18: THE RIGHT LEG (II)

In this stage you will continue to assemble parts of the right leg.



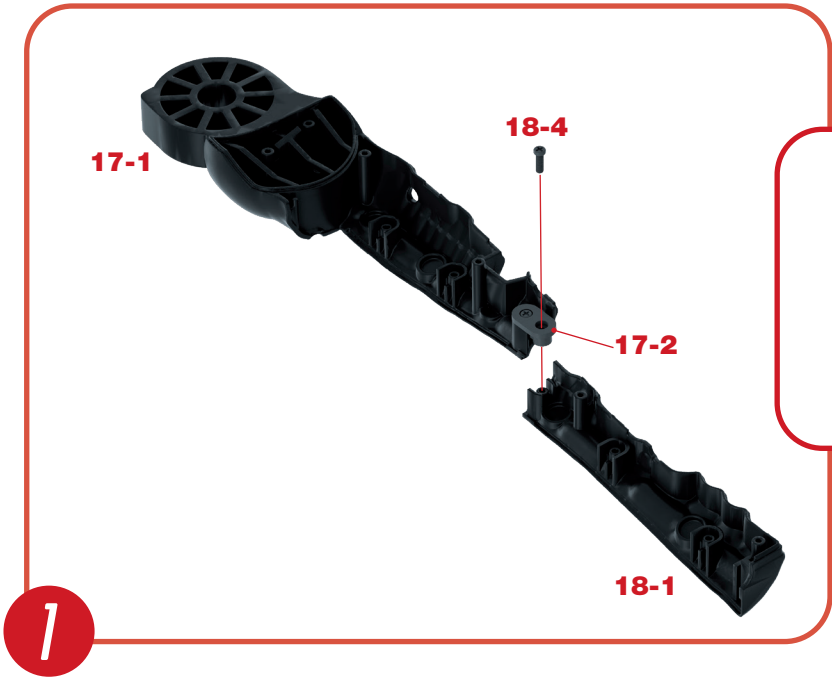
## PARTS SUPPLIED

Ref.	Name	Qty.	Ref.	Name	Qty.
18-1	Right Tibia	1	18-3	Magnets	4
18-2	Connectors	4	18-4	2.3x6 mm screws	10*

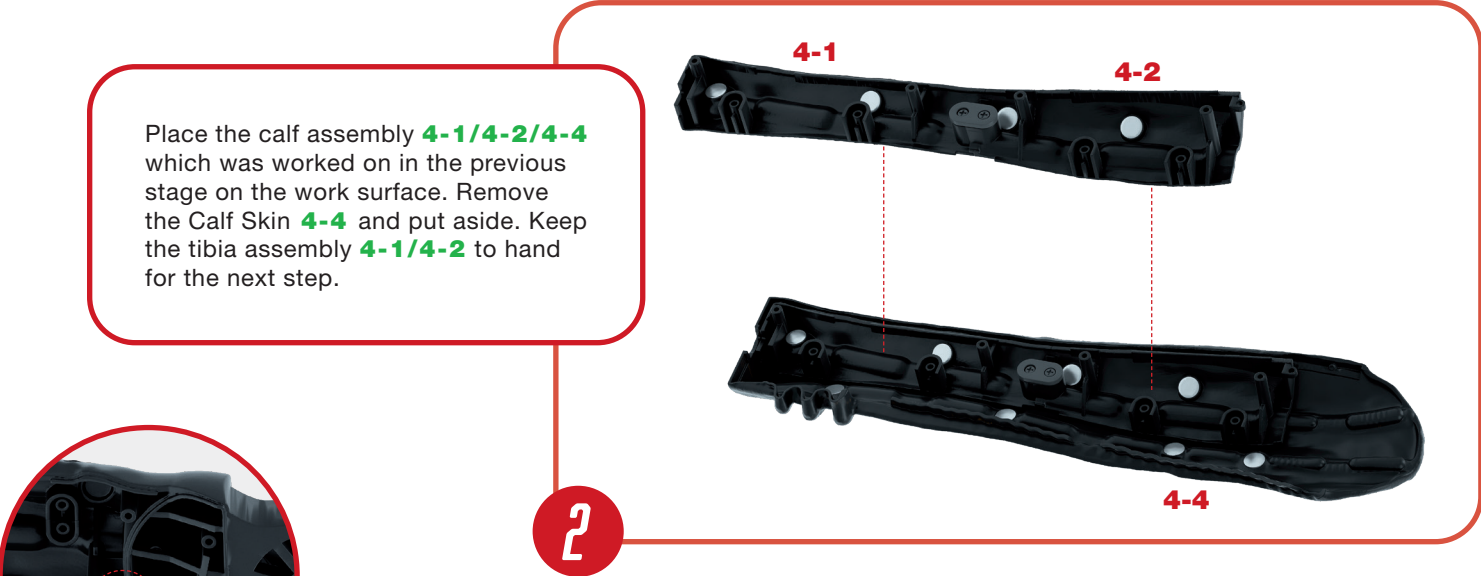
\*A spare screw is supplied in case of loss or damage.



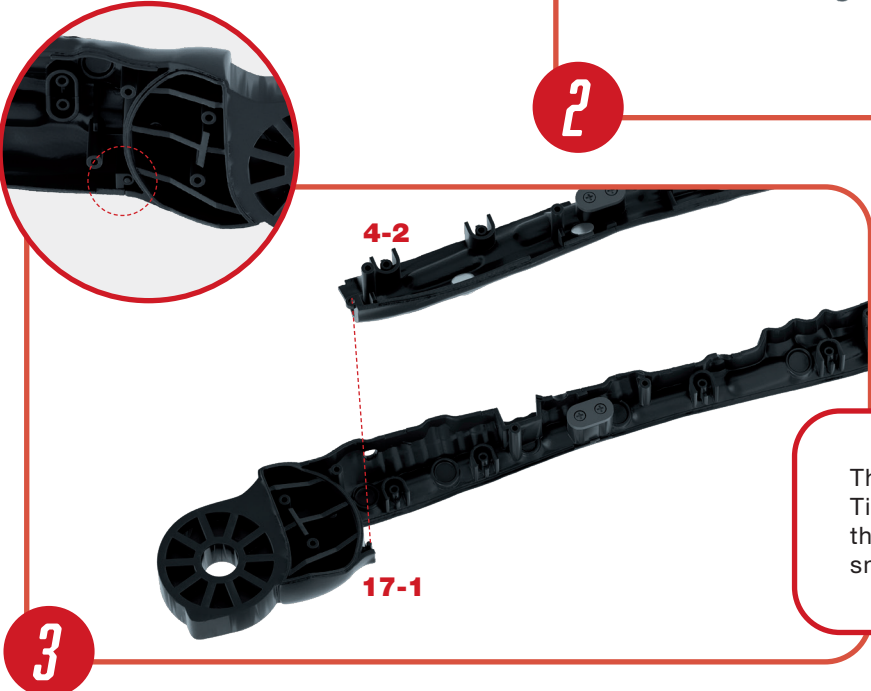
## STAGE 18: THE RIGHT LEG (II)



Take the right tibia assembly **17-1** that was worked on in the last stage along with the Tibia part **18-1**. The two parts are joined together using the previously fitted Connector **17-2**. Fix in place with a 2.3x6mm screw **18-4**.



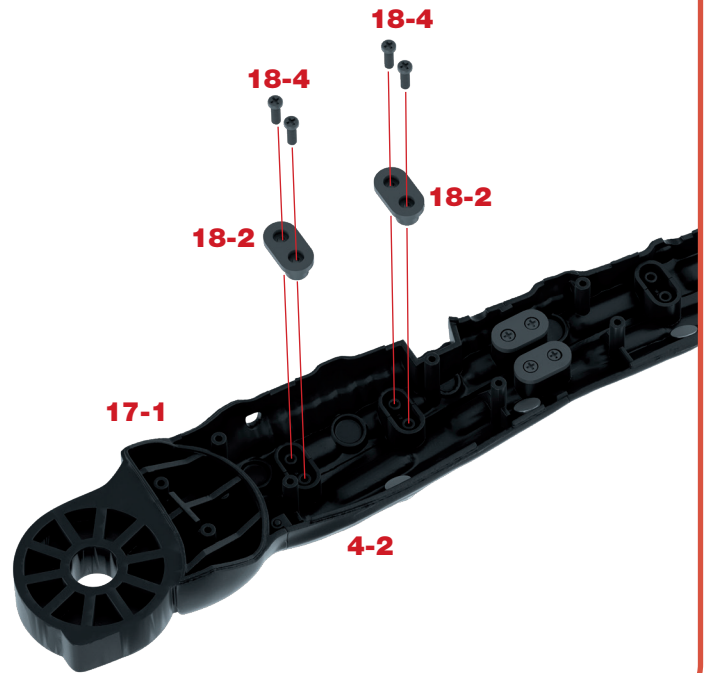
Place the calf assembly **4-1/4-2/4-4** which was worked on in the previous stage on the work surface. Remove the Calf Skin **4-4** and put aside. Keep the tibia assembly **4-1/4-2** to hand for the next step.



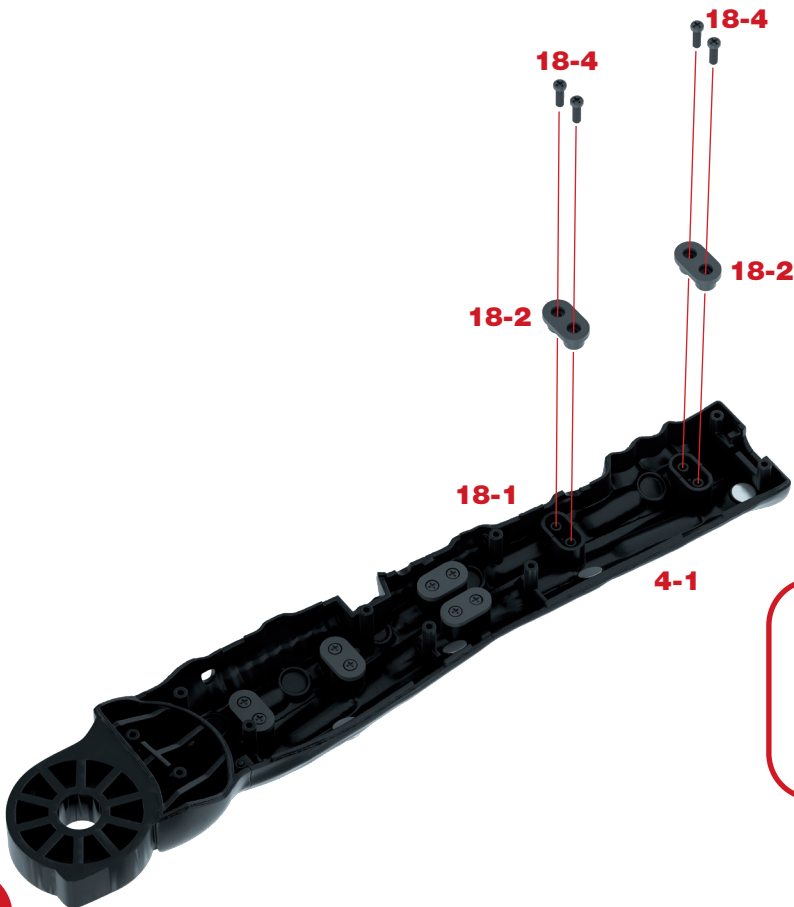
The tibia assembly **4-1/4-2** is now joined to Tibia **17-1**. Note that there is a small hole at the end of tibia assembly **4-2** which fits onto a small peg on part **17-1** (see inset).

## STAGE 18: THE RIGHT LEG (II)

The two sections are joined together using two Connectors **18-2**, as shown. Secure the Connectors **18-2** in place using two 2.3x6mm screws **18-4**.



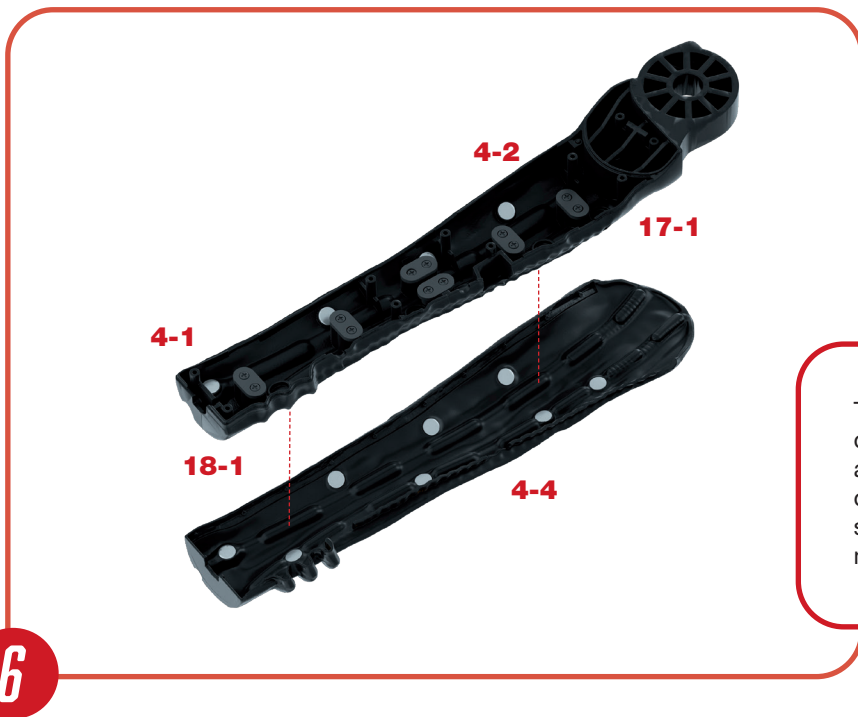
4



Fit the remaining two Connectors to join parts **4-1** and **18-1** together, as shown. Fix in place using two 2.3x6mm screws **18-4**.

5

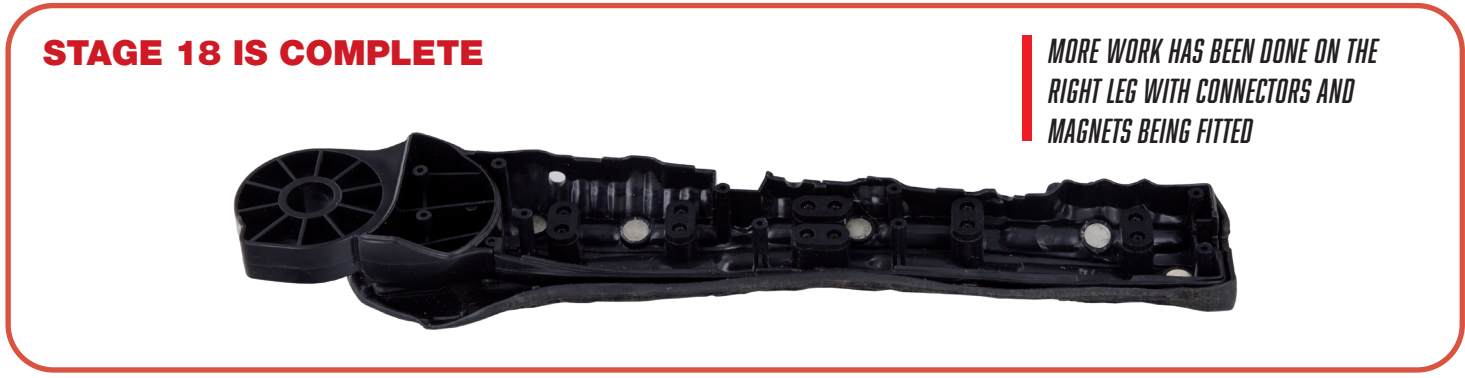
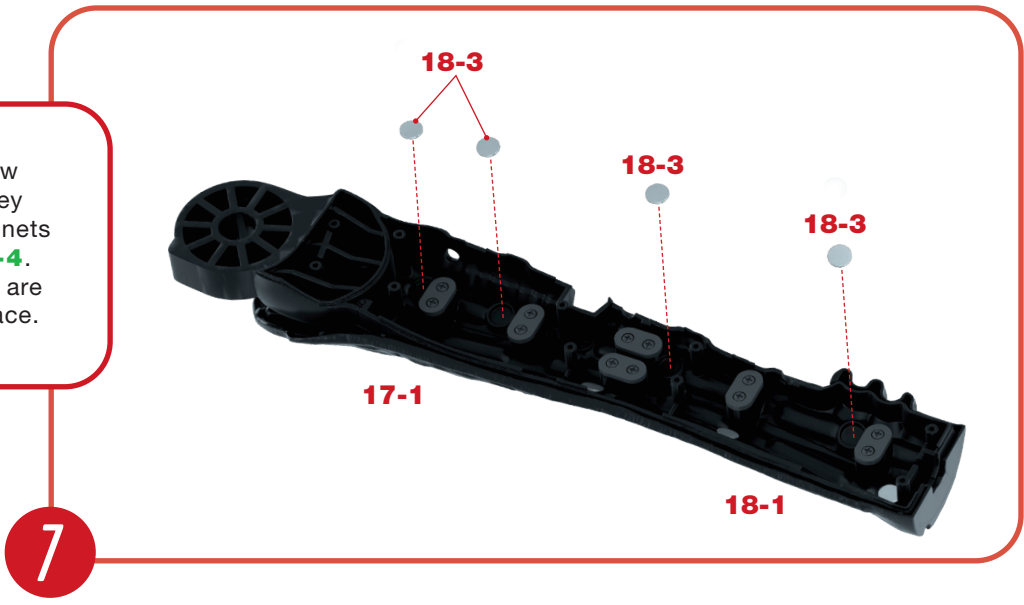
## STAGE 18: THE RIGHT LEG (II)



**EXPERT TIP:** Magnets are used to hold some of the parts together. Consequently, it is important that the magnets are correctly orientated so that the parts are attracted to each other. Before gluing in place, always check the polarity of the magnets so they will work as required.

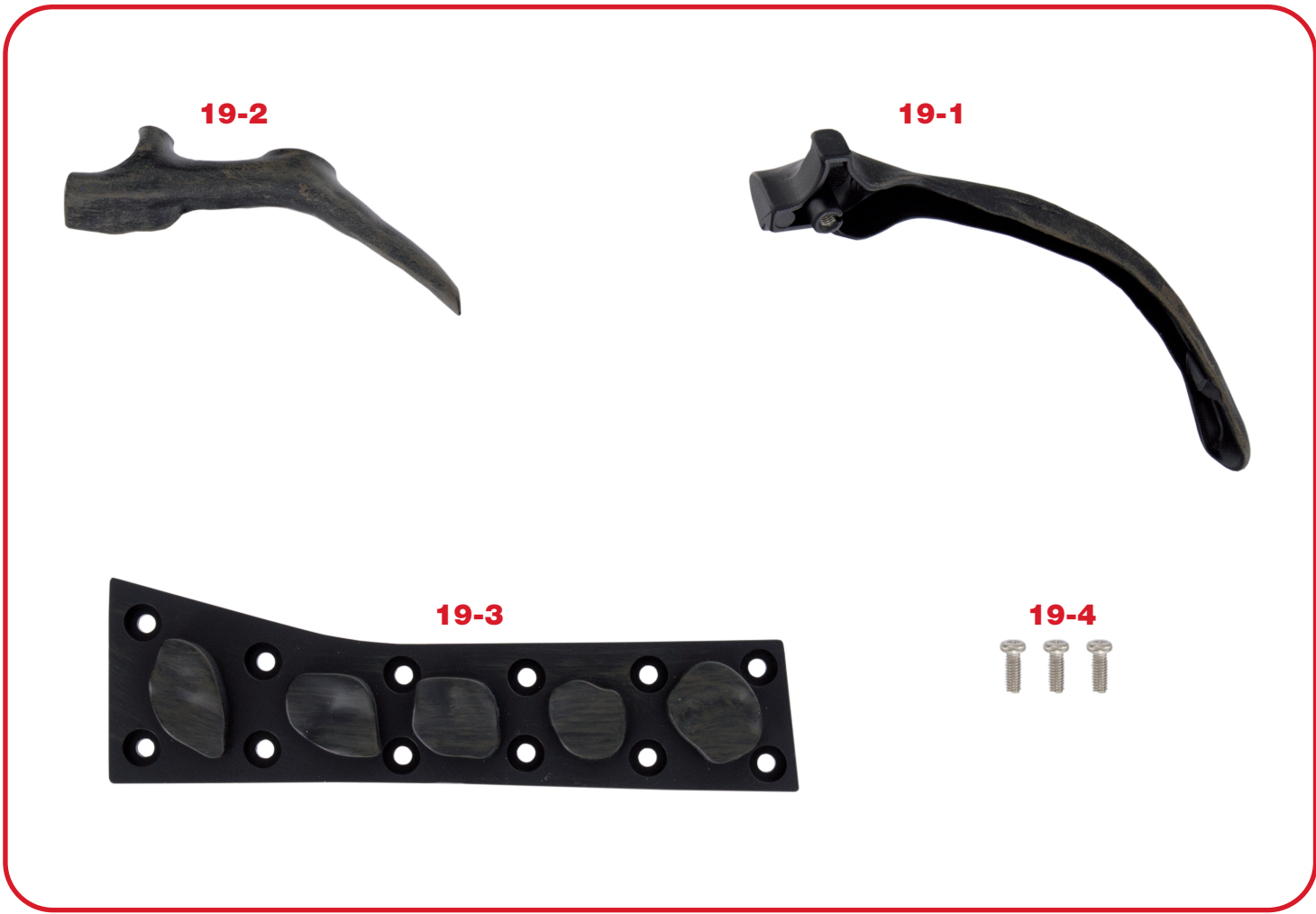
Take the Calf Skin 4-4 and place it on the work surface. Place the tibia assembly 4-1/4-2/17-1/18-1 on top of the Calf Skin 4-4 making sure that the previously fitted magnets align.

The four Magnets 18-3 are now fitted. When fitted correctly, they should be attracted to the magnets underneath on the Calf Skin 4-4. When certain that the magnets are correctly orientated, glue in place.



# STAGE 19: THE RIGHT RIBS

In this stage you will start to assemble the right ribs and their support structure.



## PARTS SUPPLIED

Ref.	Name	Qty.	Ref.	Name	Qty.
19-1	Right Rib	1	19-3	Right Rib Support	4
19-2	Right Rib	1	19-4	2.3x6mm screws	3*

\*A spare screw is supplied in case of loss or damage.

## STAGE 19: THE RIGHT RIBS

1



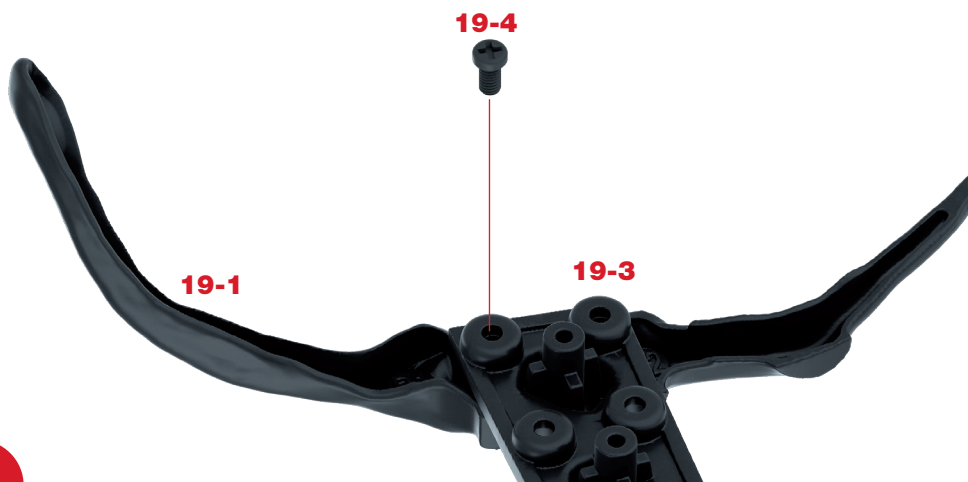
Take the Right Rib **19-2** and insert it into the Rib Support **19-3**, as shown. A raised screw socket on Rib **19-2** fits into a hole in the Support **19-3**.

2

Similarly, fit Rib **19-1** on the other side of the Rib Support **19-3**.



3

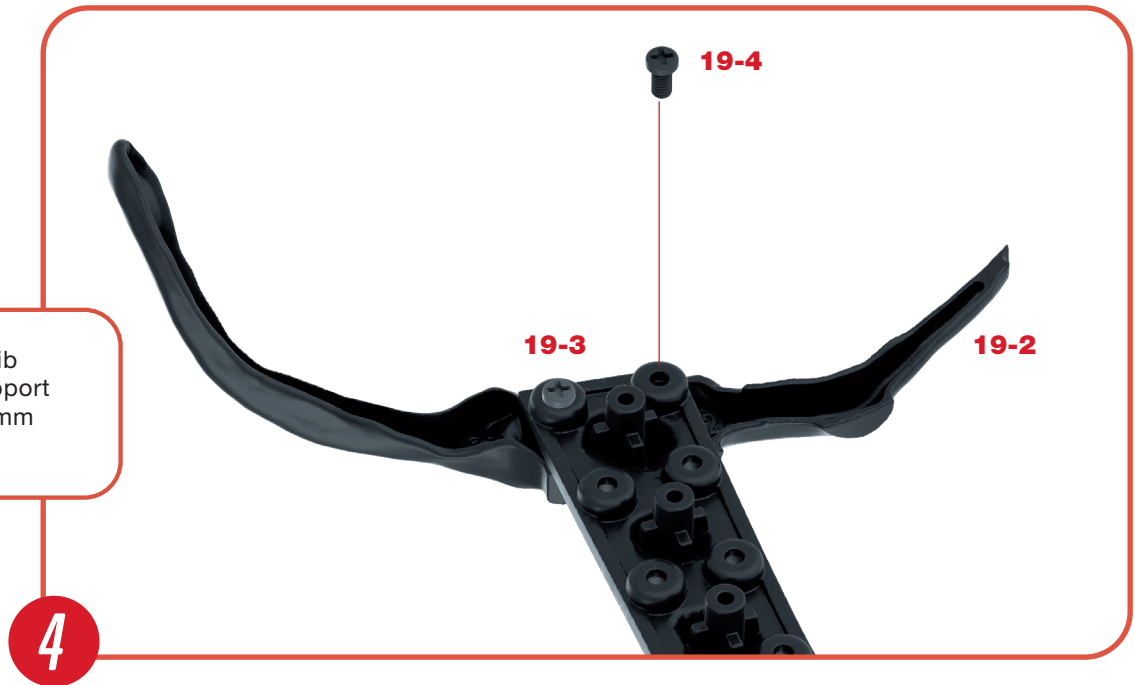


Whilst keeping the ribs in place, carefully turn the assembly over. Fix the Rib **19-1** to the Rib Support **19-3** with a 2.3x6mm screw **19-4**.

## STAGE 19: THE RIGHT RIBS

**EXPERT TIP:** When tightening a screw into metal, the screw sometimes needs to cut a thread which makes it difficult to turn. If this should be the case, turn the screw half a turn forwards and then a quarter turn backwards until the screw is fitted in place.

Finally, secure the Rib **19-2** to the Rib Support **19-3** using a 2.3x6mm screw **19-4**.



## STAGE 19 IS COMPLETE



*WORK HAS BEGUN ON THE RIBS, WITH TWO BEING ATTACHED.*



# STAGE 20: THE RIBS & THE RIGHT LEG (I)

In this stage you will continue to assemble the right ribs and leg of the Xenomorph.

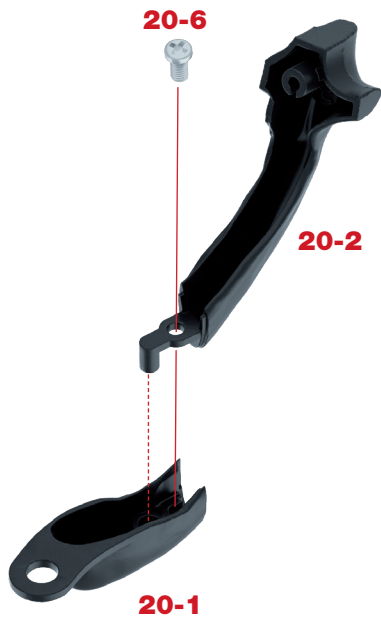


## PARTS SUPPLIED

Ref.	Name	Qty.	Ref.	Name	Qty.
20-1	Right Rib	1	20-4	Connector	1
20-2	Right Rib	1	20-5	2.3x 6mm screws	2*
20-3	Right Tibia	4	20-6	2.3x4mm screws	3*

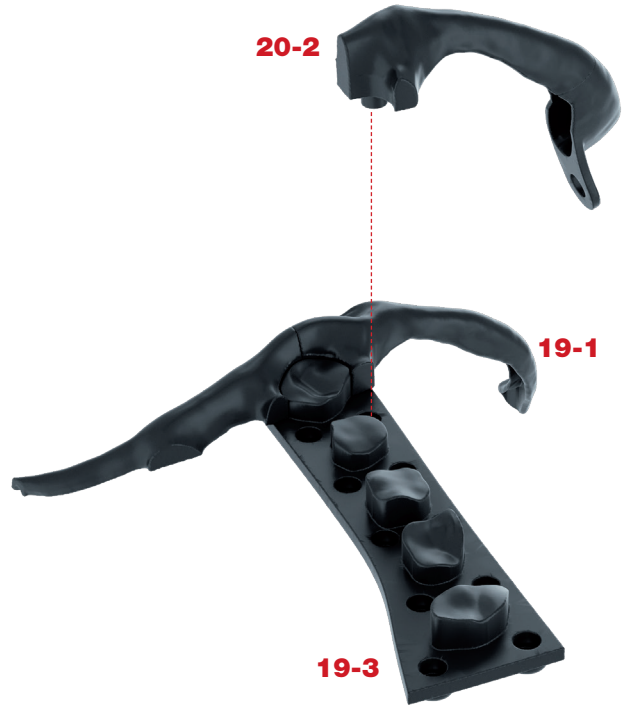
\*A spare screw of each type is supplied in case of loss or damage.

## STAGE 20: THE RIBS & THE RIGHT LEG (I)



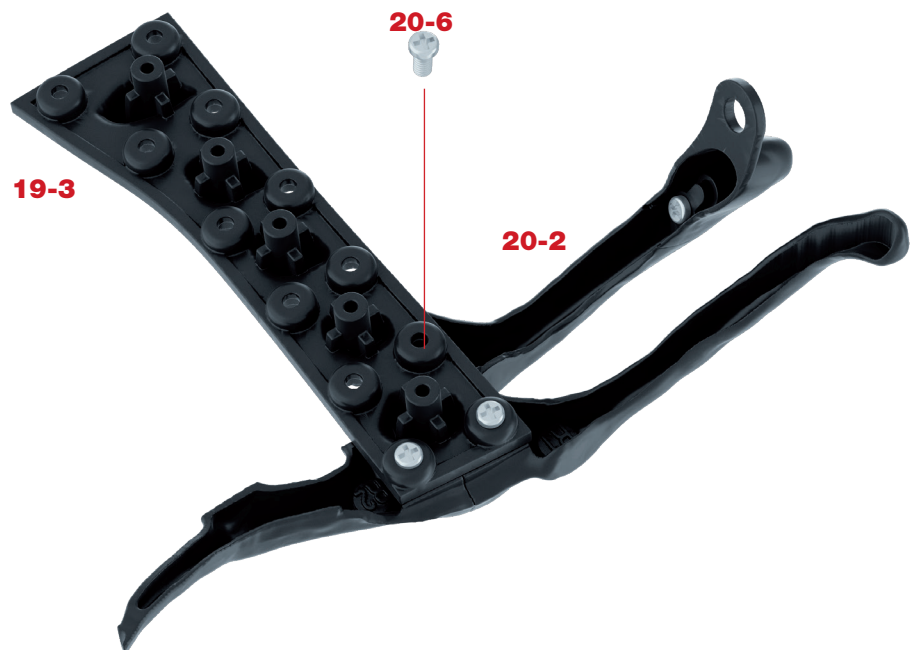
1

Place Right Ribs **20-1** and **20-2** on the work surface. Study the diagram and note how a locating peg at the end of Rib **20-2** fits into a corresponding hole in Rib **20-1**. The two parts are secured together with a 2.3x4mm screw **20-6**, as shown.



2

Take the rib support assembly **19-3** which was worked on in the previous stage. A raised screw socket on Rib **20-2** fits into a hole in rib support **19-3**, as shown.



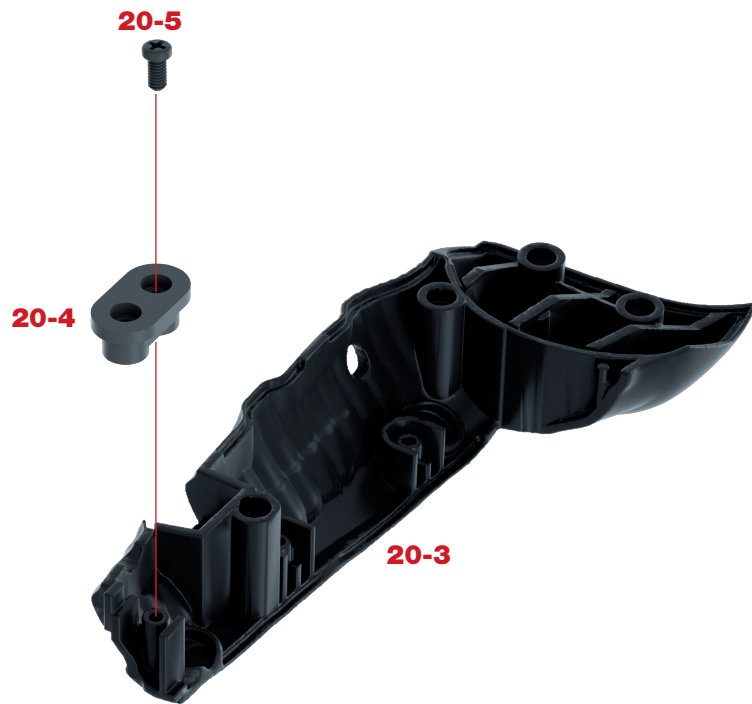
3

Keeping the parts firmly in place, turn the assembly over and using a 2.3x4mm screw **20-6** join the parts together.



## STAGE 20: THE RIBS & THE RIGHT LEG (I)

A Connector **20-4** is now fitted over a raised screw socket at the end of Tibia **20-3**. Making sure that the free hole in the Connector **20-4** overhangs the end of Tibia **20-3**, fix in place with a 2.3x6mm screw **20-5**.



4

**STAGE 20 AND PACK 3  
ARE NOW COMPLETE**

*ANOTHER RIB HAS BEEN FITTED  
ALONG WITH MORE PARTS FOR  
THE RIGHT LEG.*

